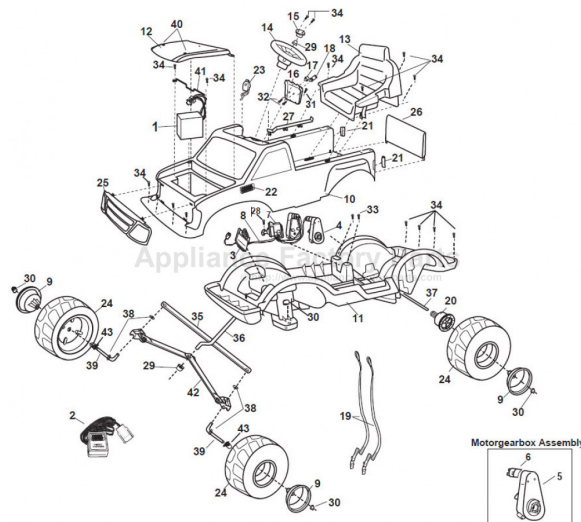


This Owner's Manual is provided and hosted by [Appliance Factory Parts](#).



# FISHER PRICE 75548-9993 Owner's Manual

[Shop genuine replacement parts for FISHER PRICE  
75548-9993](#)



[Find Your FISHER PRICE Ride On Parts - Select From 999 Models](#)

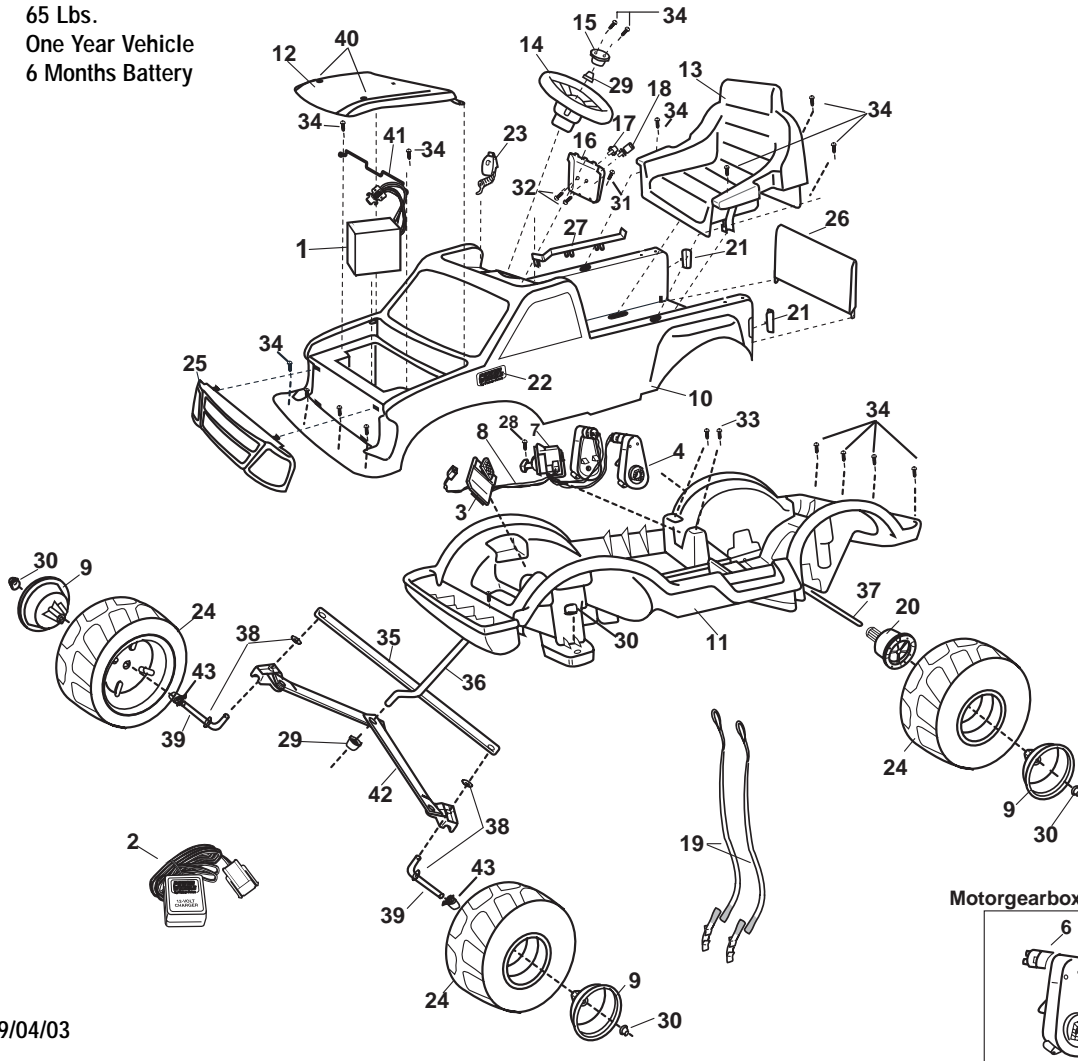
----- Manual continues below -----

Age Range: 3-6 Yrs.  
 Weight Limit: 65 Lbs.  
 Surfaces: Hard, Grass & Asphalt  
 Speed: 3.5 MPH Forward & Reverse  
 Colors: Blue Body  
 Silver Trim  
 Intro: 8/99  
 Suggested Retail: \$149.99  
 Box Dimensions: 49" x 25" x 31"  
 65 Lbs.  
 Warranty: One Year Vehicle  
 6 Months Battery

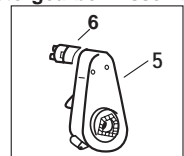
# 75548-9993

## Ford Off-Road 4 x 4

Walmart exclusive  
 Preschool Series  
 Super 6 Volt



Motorgearbox Assembly



Rev. 09/04/03

Item No.	Description	Part No.	Qty.	Item No.	Description	Part No.	Qty.	Item No.	Description	Part No.	Qty.	
<b>Working / Electrical Parts</b>				18	Key	75547-2049	1	37	Rear Axle	74420-4519	1	
1	6 Volt Battery	00801-0712	1	19	Seatbelt Set (2 pcs.)	74210-5519	1	38	7/16" Washer	0801-0196	4	
2	Super 6 Volt Charger	00801-0974	1	20	Driver	74440-2229	2	39	Front Axle	74420-4509	2	
3	Footboard Assembly	74440-9829	1	21	Taillight Lens Set	74420-2059	1	40	Lock Fastener	78570-2439	2	
4	<b>#3B Gearbox w/Motor</b>	<b>74180-9519</b>	2	22	PW Emblem	74460-9069	2	41	Battery Retainer	74420-4019	1	
5	<b>#3B Gearbox w/Out Motor</b>	<b>74550-9279</b>	1	23	Microphone	74760-9479	1	42	Steering Linkage N/A	74420-4289	1	
6	<b>Motor w/Pinion</b>	<b>74580-9539</b>	2	24	Wheel	74420-2459	4	43	Axle Bushing	74550-2689	2	
7	Shifter Assy.	75547-9439	1	25	Grille	75547-214A	1	<b>Parts Not Shown</b>				
8	<b>Wire Harness Assm.</b>	<b>78474-9889</b>	1	26	Tailgate	75548-213A	1	Main Decal	75548-0310	1		
<b>Plastic Parts / Other</b>				<b>Hardware</b>				Literature Bag N/A				
9	Hubcap N/A	75548-2079	4	28	1" High Speed Lock Out Screw	0801-0254	1	Large Parts Bag N/A				
10	Vehicle Body (N/A)	75548-210A	1	29	.354 Cap Nut	0801-0604	2	Small Parts Bag N/A				
11	Tub (N/A)	74240-2119	1	30	.437 Cap Nut	0801-0226	6	Owner's Manual				
12	Hood	75548-212A	1	31	#6 x 1/2" Screw	0801-0222	2	Hardware Bag				
13	Seat	75548-2309	1	32	#6 x 3/8" Screw N/A	0801-0219	2	74210-9259A				
14	Steering Wheel	74440-2379	1	33	#8 x 7/8" Trusshead Screw	0801-0228	2					
15	Steering Wheel Cap	74550-2729	1	34	#8 x 1" Screw (Black) N/A	0801-0224	16					
16	Dash (Soundbox) Cover N/A	75548-2099	1	35	Crossbar N/A	74420-4259	1					
17	Dash Knob	75547-2089	1	36	Steering Column	74420-4239	1					

N/A = Not Available **Bold and Underlined parts are to be purchased and installed by Service Centers only. These items may not be sold directly to consumers by Service Centers or Fisher-Price.**

