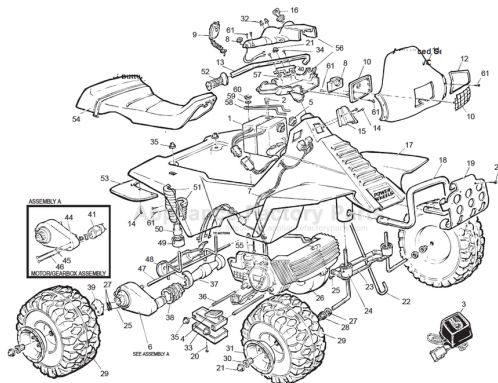


This Owner's Manual is provided and hosted by [Appliance Factory Parts](#).



FISHER PRICE 74595-xxxx Owner's Manual

[Shop genuine replacement parts for FISHER PRICE
74595-xxxx](#)



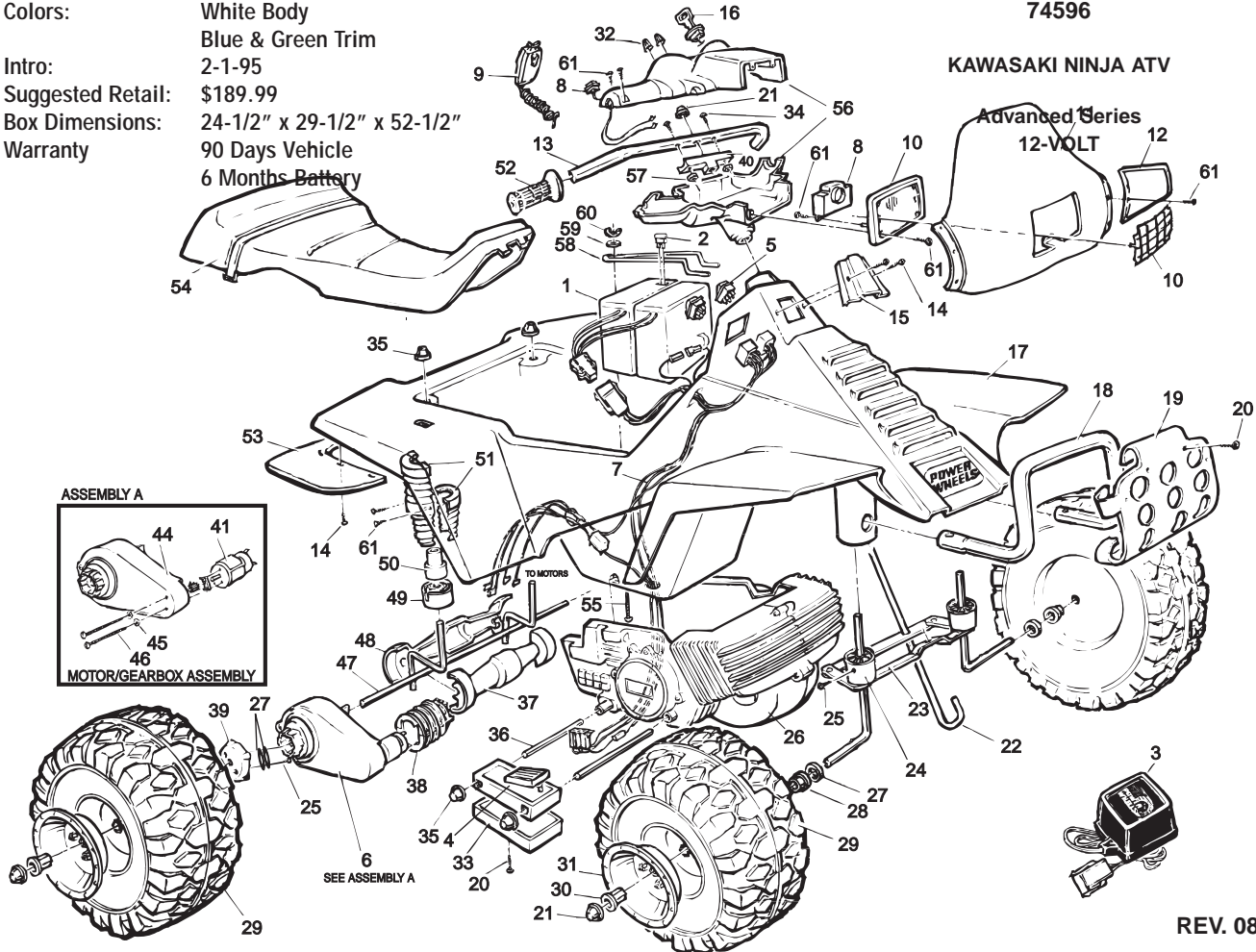
[Find Your FISHER PRICE Ride On Parts - Select From 999 Models](#)

----- Manual continues below -----

This product is affected by the PW recall announced Oct 1998. Please confirm that the product is modified or remediated in accordance with policy.

Age Range: 3-7 Yrs.
 Weight Limit: 65 Lbs.
 Surfaces: Hard, Grass & Hills
 Speed: 2.5 / 5.0 MPH Forward
 2.5 MPH Reverse
 Colors: White Body
 Blue & Green Trim
 Intro: 2-1-95
 Suggested Retail: \$189.99
 Box Dimensions: 24-1/2" x 29-1/2" x 52-1/2"
 Warranty: 90 Days Vehicle
 6 Months Battery

74591-xxxx
 74592-
 74593-
 74594-
 74595-
 74596



REV. 08/01/03

Item No.	Description	Part No.	Qty.	Item No.	Description	Part No.	Qty.	Item No.	Description	Part No.	Qty.
1	Battery	0801-0431	2	25	#10 x 1/2" Screw	0801-0255	4	51	Shock Set	74590-2089	2
2	30 Amp Fuse	0801-0229	2	26	False Motor	74590-2069	1	52	Handgrip	78570-2219	2
3	Charger	0801-0225	1	27	7/16" Washer	0801-0196	6	53	Mudflap Set	74590-2219	1
4	Footswitch Assembly	74590-9149	1	28	Axle Bushing	74550-2689	2	54	Seat	74590-2309A	1
5	Control Switch	0801-0148	2	29	Wheel	78570-2469	4	55	Carriage Bolt	0801-0305	1
6	Motor/Gearbox Assembly	78640-0640	2	30	Hex Bushing	73233-2559	4	56	Headlight Housing Set	74590-2149	1
7	Main Wiring Harness	76816-9799	1	31	Hubcap	74590-2579	4	57	Lock Nut	0801-0318	2
8	Sound/Switch Assy.	74590-9549	1	32	Radio Knobs	78570-2179	2	58	Battery Retainer	76262-4489	1
9	Microphone	73233-9479	1	33	Bottom Cover Footboard	74590-9159	1	59	#10 Washer	0801-0195	1
10	Headlight Rim/Guard	74590-2179A	1	34	#10 x 1-1/2" Phillips Screw	76222-4459	2	60	Wing Nut	0801-0317	1
11	Windshield	76816-2729	1	35	.354 Retainer w/Body	0801-0215	6	61	#6 x 1/2" Screw	0801-0280	22
12	Handgrip Guard Set	74590-2199	1	36	Footboard Support Rod	76262-4439	2	PARTS NOT SHOWN			
13	Handlebar	76816-4229	1	37	Rear Axle Cover (inside)	74590-2139	1		Power Wheels Emblem Set	74540-9069	1
14	#8 x 1/2" Phillips Screw	0801-0202	10	38	Motor Cover	*76803-2489	2		Decal Sheet	74590-0310	1
15	Cover Plate	74590-2169	1	39	Driver	73233-2239	2		Paper Decal	74590-0340	1
16	Key Housing	74550-2439	1	40	Handlebar Neck	76816-4289	1		Windshield Decal (in lit. bag)	74590-0330	1
17	Body	74590-2109	1	41	Motor w/Pinion	74590-9539	2		Footrest, Left	74590-2129	1
18	Roll Bar	74590-9419	1	44	Gearbox	74550-9279	2		Literature Bag	74590-9029	1
19	Brushguard	74590-2189	1	45	Star Washer	0801-0330	4		Large Parts Bag #1	74590-9249	1
20	#8 x 3/4" Screw	0801-0223	6	46	Motor Bolts	0801-0269	4		Large Parts Bag #2	74590-9259	1
21	.437 Retainer w/Body	0801-0214	5	47	Rear Axle	76816-4539	1		Small Parts Bag	74590-9229A	1
22	Steering Column	76816-4249	1	48	Rear Axle Cover (Outside)	74590-2119	1				
23	Steering Linkage	74590-4239	1	49	Rear Post Bushing	74590-2539	2				
24	Front Post Bushing	74590-2549	2	50	Rear Bushing w/Extension	74590-2669	2				

*Motor Cover available only for products manufactured after 7/13/95. **Bold and Underlined parts are to be purchased and installed by Service Centers only. These items may not be sold directly to consumers by Service Centers or Fisher-Price.**