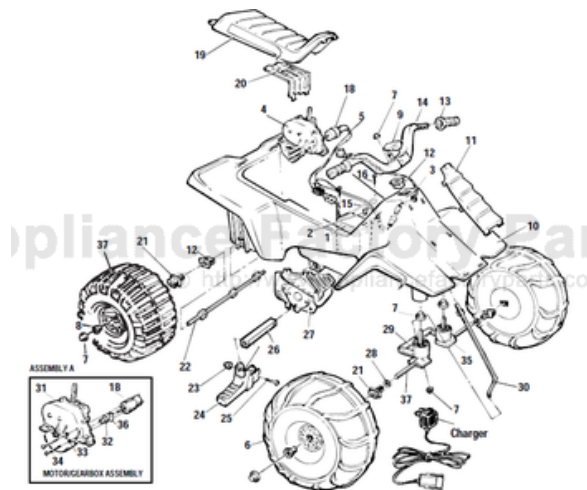


This Owner's Manual is provided and hosted by [Appliance Factory Parts](#).



# FISHER PRICE 73569-AX3569 Owner's Manual

[Shop genuine replacement parts for FISHER PRICE  
73569-AX3569](#)



[Find Your FISHER PRICE Ride On Parts - Select From 999 Models](#)

----- Manual continues below -----



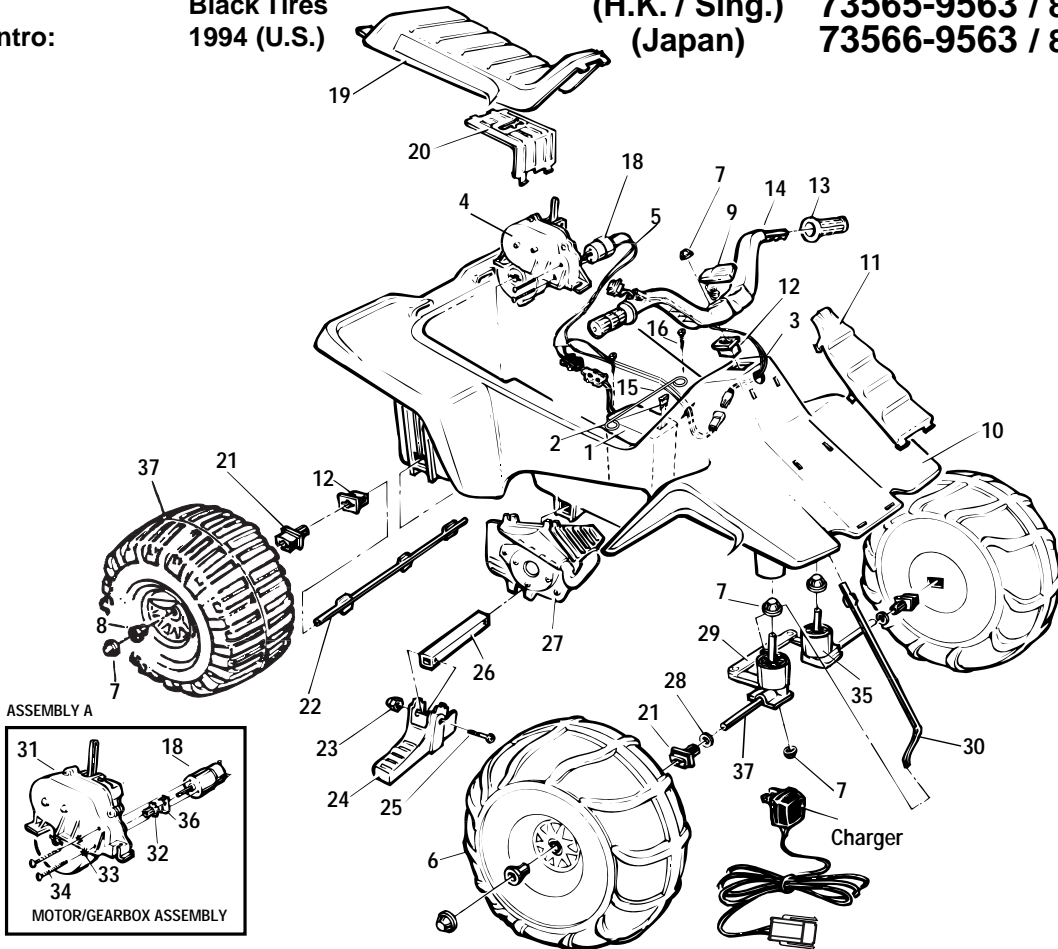
# PARTS ≡ PIECES ≡ TEILEN ≡ PIEZAS

## LIL SUZUKI®

Age Range: 1-3 Yrs.  
 Weight Limit: 40 Lbs.  
 Surfaces: Hard, Grass & Carpet  
 Speed: 1 MPH  
 Colors: Yellow Body  
 Blue Seat & Handlebars  
 Black Tires  
 Intro: 1994 (U.S.)

(Generic Int'l)  
 (Europe)  
 (U.K.)  
 (Can / Mex)  
 (Australia)  
 (H.K. / Sing.)  
 (Japan)

73569-9563 / 83569 / AX3569  
 73561-9563 / 8356901 / AX3561  
 73562-9563 / 8356902 / AX3562  
 73563-9563 / 8356903 / AX3563  
 73564-9563 / 8356904 / AX3564  
 73565-9563 / 8356905 / AX3565  
 73566-9563 / 8356906 / AX3566



Rev. 07/08/03

Item #	Description	Part No.	Quantity	Item #	Description	Part No.	Quantity	Item #	Description	Part No.	Quantity
Article No.	Description	Pièce No.	Quantité	Article No.	Description	Pièce No.	Quantité	Article No.	Description	Pièce No.	Quantité
Warennr	Beschreibung	Tiel-Nr.	Menge	Warennr	Beschreibung	Tiel-Nr.	Menge	Warennr	Beschreibung	Tiel-Nr.	Menge
Item Nº	Descripción	Pieza Nº	Cantidad	Item Nº	Descripción	Pieza Nº	Cantidad	Item Nº	Descripción	Pieza Nº	Cantidad
1	Battery 6 Volt	0801-0431	1	19	Seat (NLA)	80067-0037	1	37	Rear Wheel	73237-2459	2
2	25 Amp Fuse Kit (2)	0801-0447	1	20	Motor Cover	73560-9489	1	<b>PARTS NOT SHOWN</b>			
3	Switch Assm.	78560-2799	1	21	Bushing w/Long Extension	78560-2659	4	Literature Bag	80034-0542	1	
4	#5 Motor Gearbox Assm	74504-9519	1	22	Rear Axle	74504-4539	1	Decal Sheet	73560-0310	1	
5	<b>Wiring Harness (main)</b>	<b>74504-9059</b>	1	23	Acorn Nut	0801-0218	2	<b>REPLACEMENT CHARGERS</b>			
6	Front Wheel	73237-2469	2	24	Footpeg	77440-2159	2	<b>CHARGEURS DE RECHARGE</b>			
7	.354 Cap Nut	0801-0251	8	25	1-1/4" Shoulder Bolt	0801-0304	2	<b>ERSATZAUFLADUNGSGERÄTE</b>			
8	Wheel Bushing	78560-2679	4	26	Footpeg Support	74504-2129	1	<b>CARGADORES DE REPUESTO</b>			
9	Microphone	74550-9479	1	27	False Motor Set	80021-0027	1	Charger, 6V-220V-50Hz-CT (NLA)	80004-0125	1	
10	Body	77440-2109	1	28	5/16" Washer	0801-0253	2	Charger, 6V-240V-50Hz-UK (NLA)	80004-0126	1	
11	Grill (NLA)	80065-0032	1	29	Steering Linkage	74504-4219	1	Charger, 6V-120V-60Hz-CM	0801-0243	1	
12	Bushing w/o Extension	74504-2549	2	30	Steering Column	80054-0046	1	Charger, S6V-240V-50Hz-AS	0801-0238	1	
13	Handgrips	73560-2129	2	31	<b>#5 Gearbox Only</b>	<b>72629-9259</b>	1	Charger, 6V-220V-50Hz-UK (NLA)	80004-0157	1	
14	Handlebar/Switch Assm. (NLA)	80029-0019	1	32	Motor Drive Gear	74504-2259	1				
15	Battery Retainer	74504-4429	1	33	<b>Star Washer</b>	<b>0801-0330</b>	2				
16	#8 x 7/8" Trusshead Screw	0801-0228	2	34	<b>Motor Bolt</b>	<b>0801-0269</b>	2				
17	Front Axle	74504-4509	2	35	Front Post Bushing (NLA)	80009-0050	2				
18	<b>Motor w/Pinion</b>	<b>74590-9539</b>	1	36	D Lock Washer	0801-0329	1				

NLA = No Longer Available

**Items in bold and underlined are to be purchased and installed by Service Centers only. These items may not be sold directly to consumers by Service Centers or Fisher-Price.**