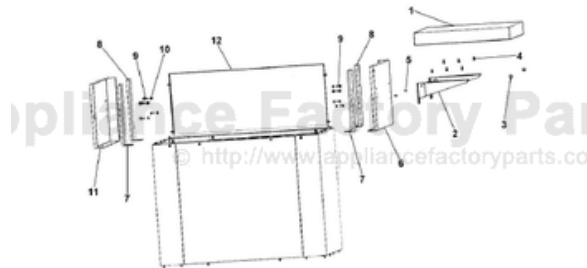


This Owner's Manual is provided and hosted by [Appliance Factory Parts](#).



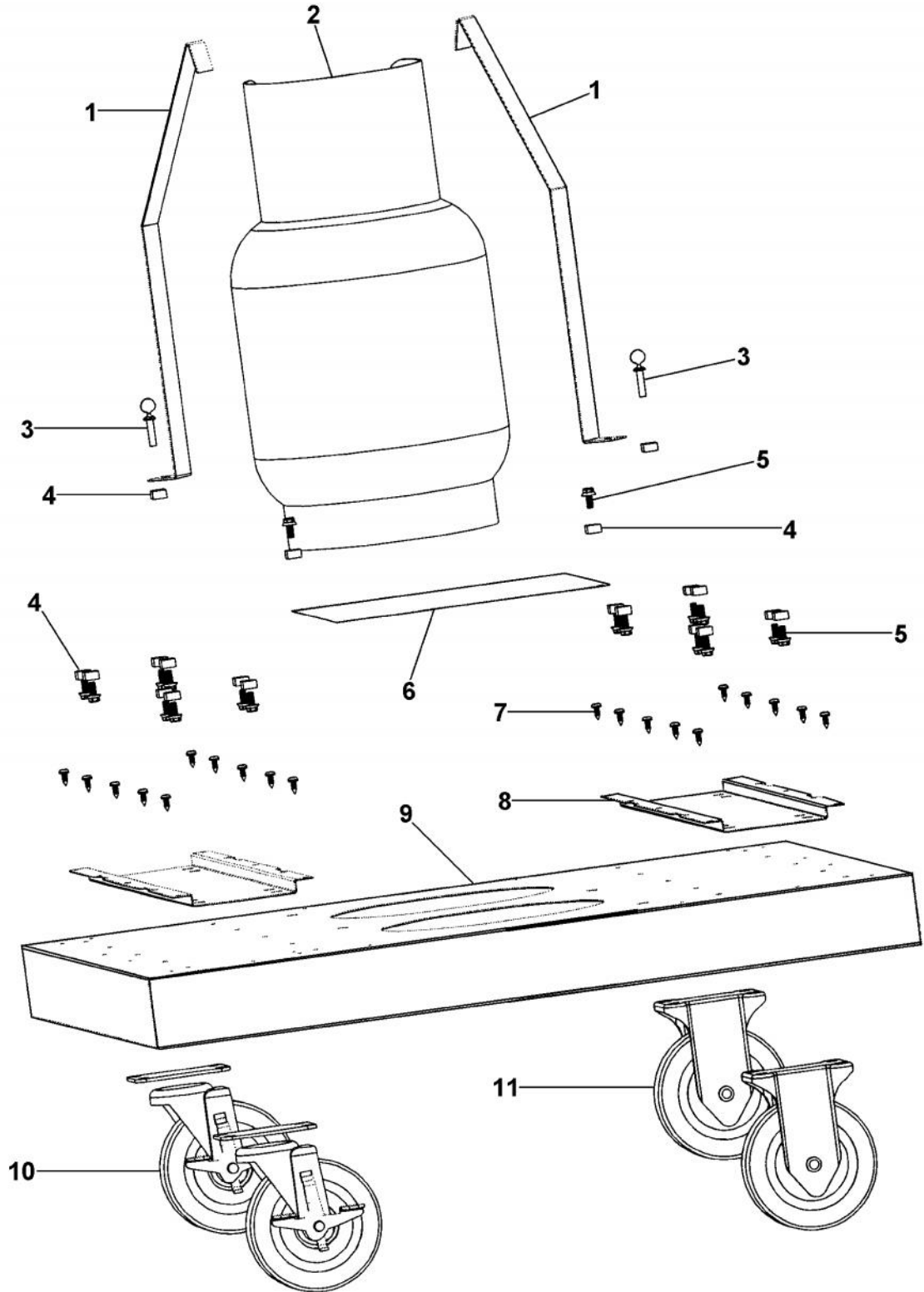
# VIKING BQCO300T3 Owner's Manual

[Shop genuine replacement parts for VIKING  
BQCO300T3](#)

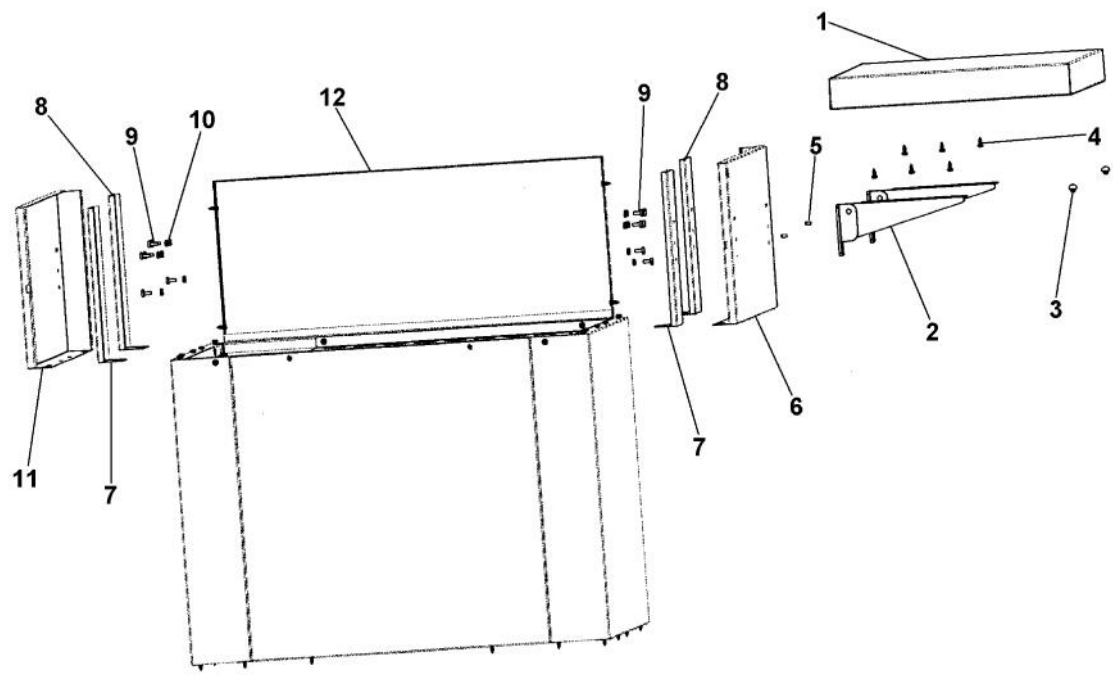


[Find Your VIKING Grill Parts - Select From 210 Models](#)

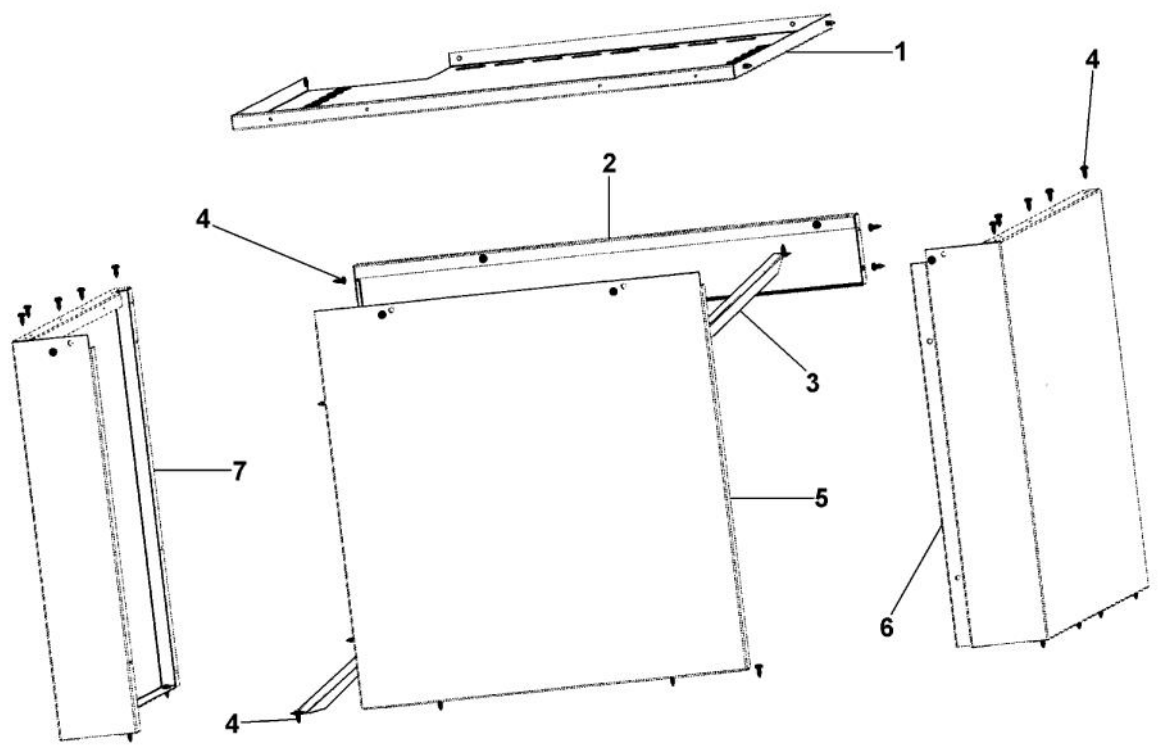
----- Manual continues below -----



Ref #	Part Number	Qty.	Description
1	B2004202		L.P. TANK STRAP (VGBQ)
2	N/A		HEAT SHIELD - MUST ORDER ITEM NO. 11
3	PD020070		1/4 X 20 X 1 SHOULDER THUMB SCREW
4	PD030043		1/4-20 CAGE NUT SS
5	PD020059		1/4-20 X 1/2 CAP SCREW SS
6	B10013403		BOTTOM COVER PLATE (BQC030)
7	PD020055		NO.10 X 1/2 PAN PHIL. TEK. SS
8	B2008982		CASTER BRACE
9	B3009850		CART BOTTOM - 30
10	PC030020		CASTER, SWIVEL
11	PC030021		CASTER, FIXED
NI	PA010109		HOLE PLUG 5/8



Ref #	Part Number	Qty.	Description
1	B3005378		SIDE SHELF PH II BQC530TSS
2	PC020031		FOLD DOWN SHELF BRACKET
3	PD040060		RUBBER GROMMET
4	PD020055		NO.10 X 1/2 PAN PHIL. TEK. SS
5	PD020118		ALLEN SCREW
6	B2009856		30 UPPER CART SIDE RH (BQC300T3)
7	B2009859		GRILL CART SIDE BRACE FRONT (30)
8	B2009858		GRILL CART SIDE BRACE BACK (30)
9	PD020056		NO.10-24 X 1/2 PH.TR. M.S. SS
10	PD030044		10-24 KEPS NUT SS
11	B2009855		30 UPPER CART SIDE LH (BQC300T3)
12	B2009857		30 UPPER CART BACK



Ref #	Part Number	Qty.	Description
1	B2009854		CART TOP - 30
2	B20013402		CART BACK (BQC030)
3	B2009863		30 CART CROSS BRACE (BQC300T3)
4	PD020055		NO.10 X 1/2 PAN PHIL. TEK. SS
5	B20013401		FRONT COVER (BQC030)
6	B2009851		RH CART SIDE BQC300T3SS
7	B2009852		LH CART SIDE BQC300T2SS