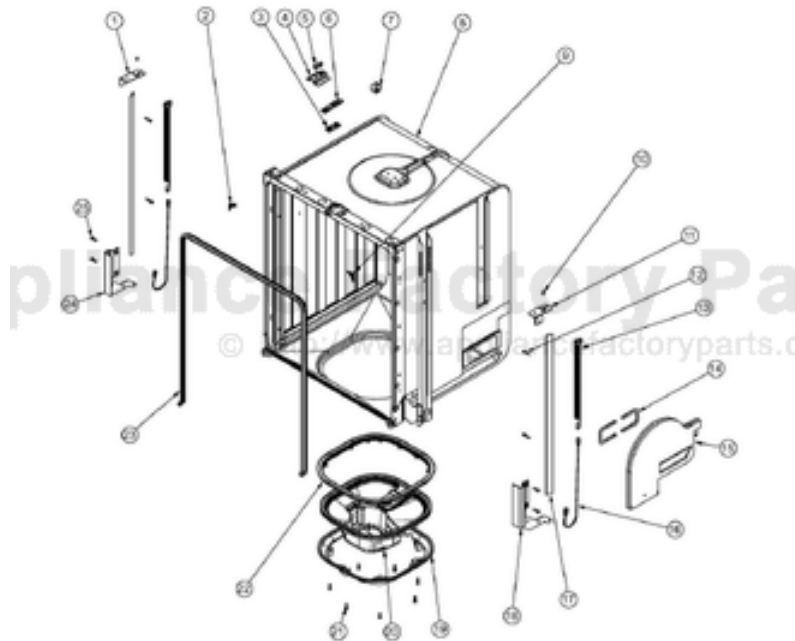


This Owner's Manual is provided and hosted by [Appliance Factory Parts](#).



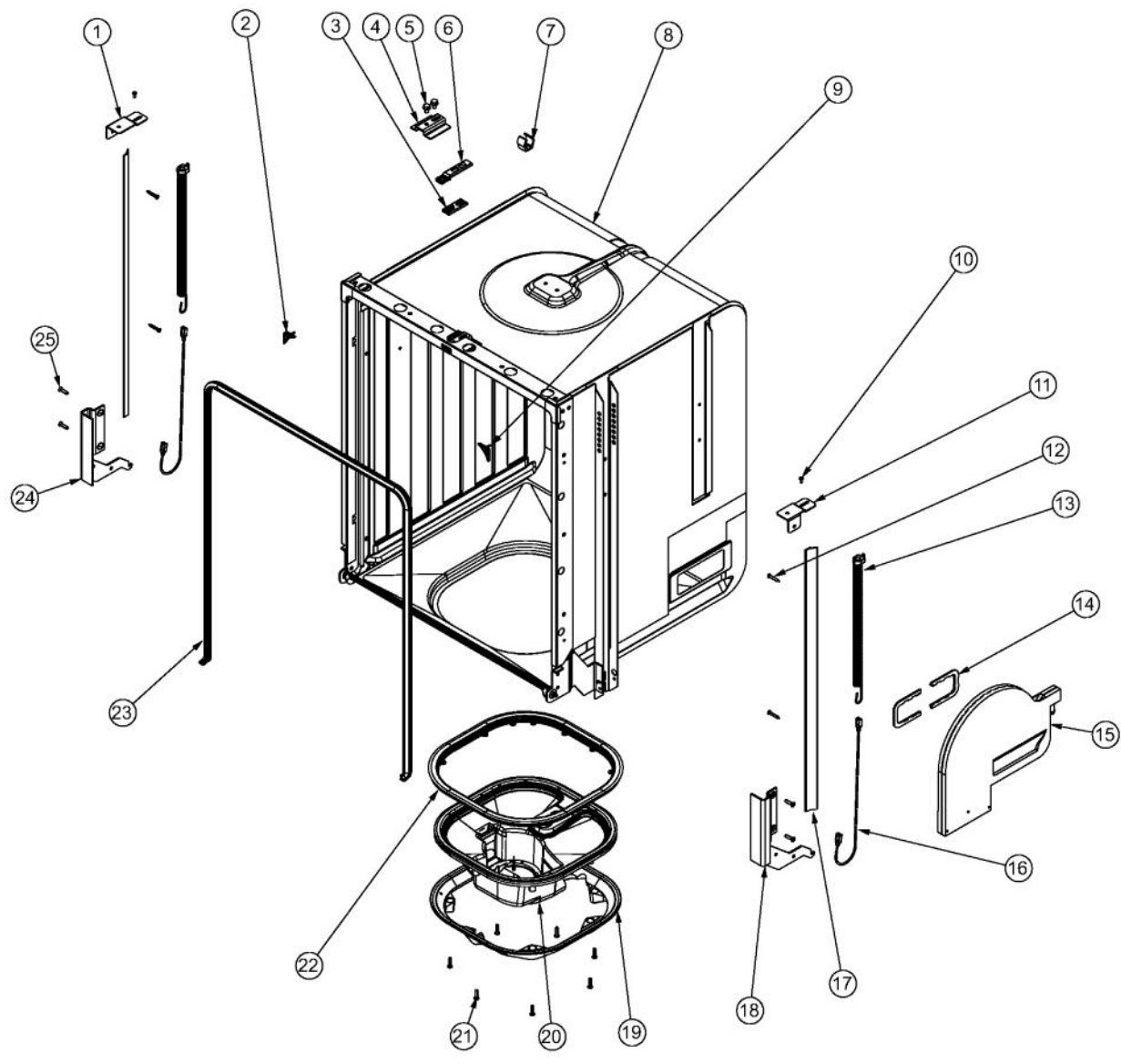
# VIKING DDB200 Owner's Manual

[Shop genuine replacement parts for VIKING DDB200](#)

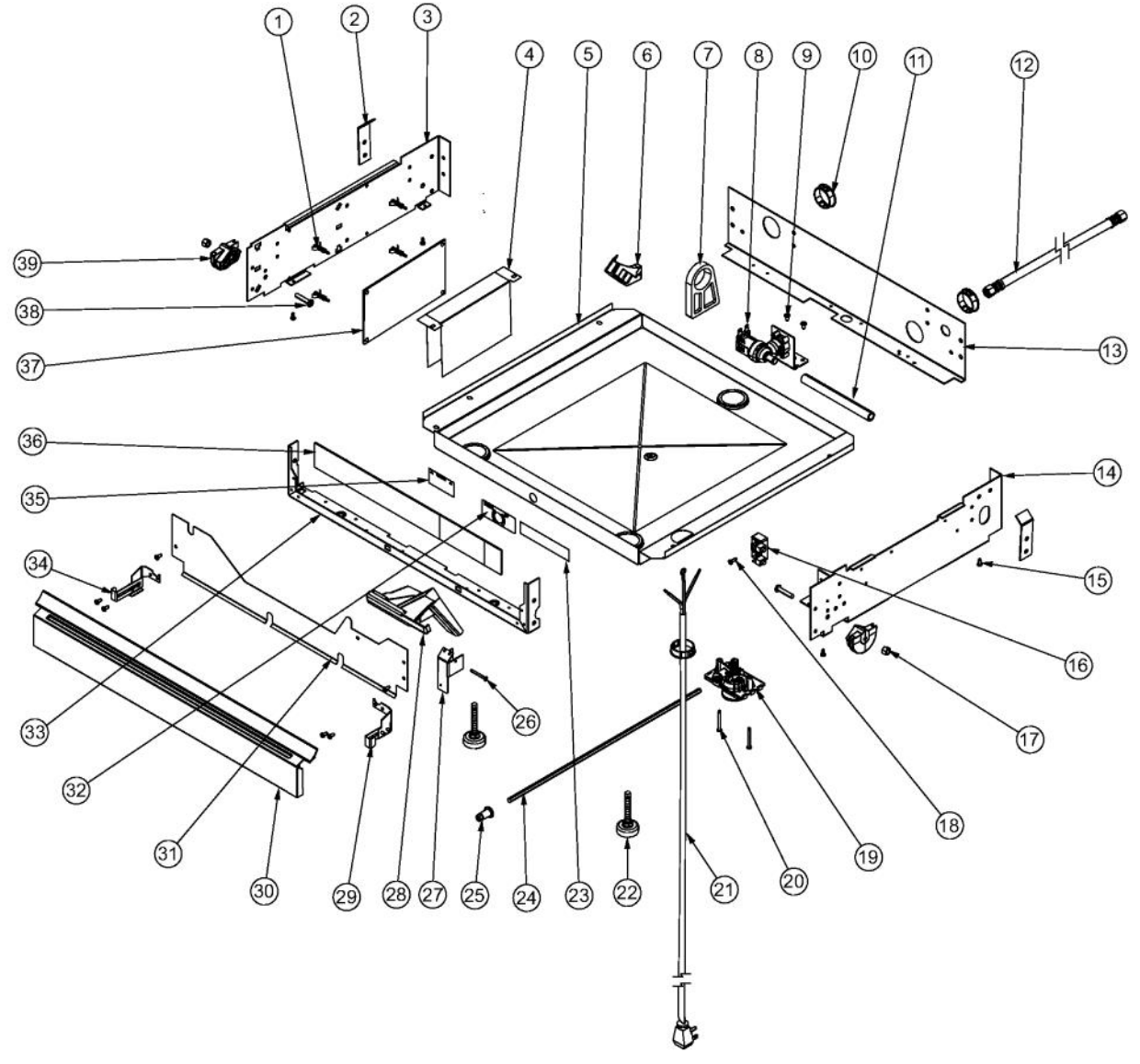


[Find Your VIKING Dishwasher Parts - Select From 36 Models](#)

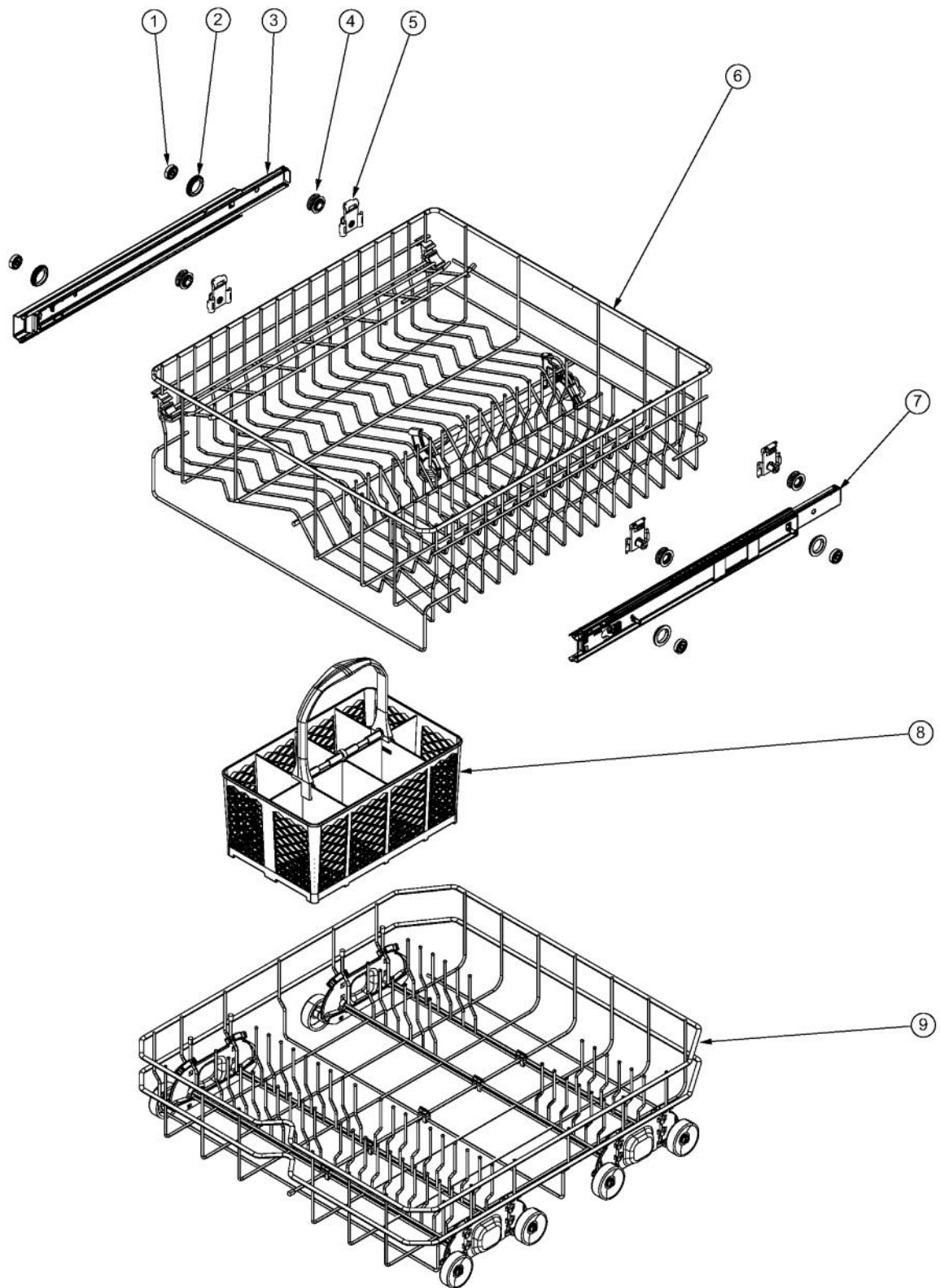
----- Manual continues below -----



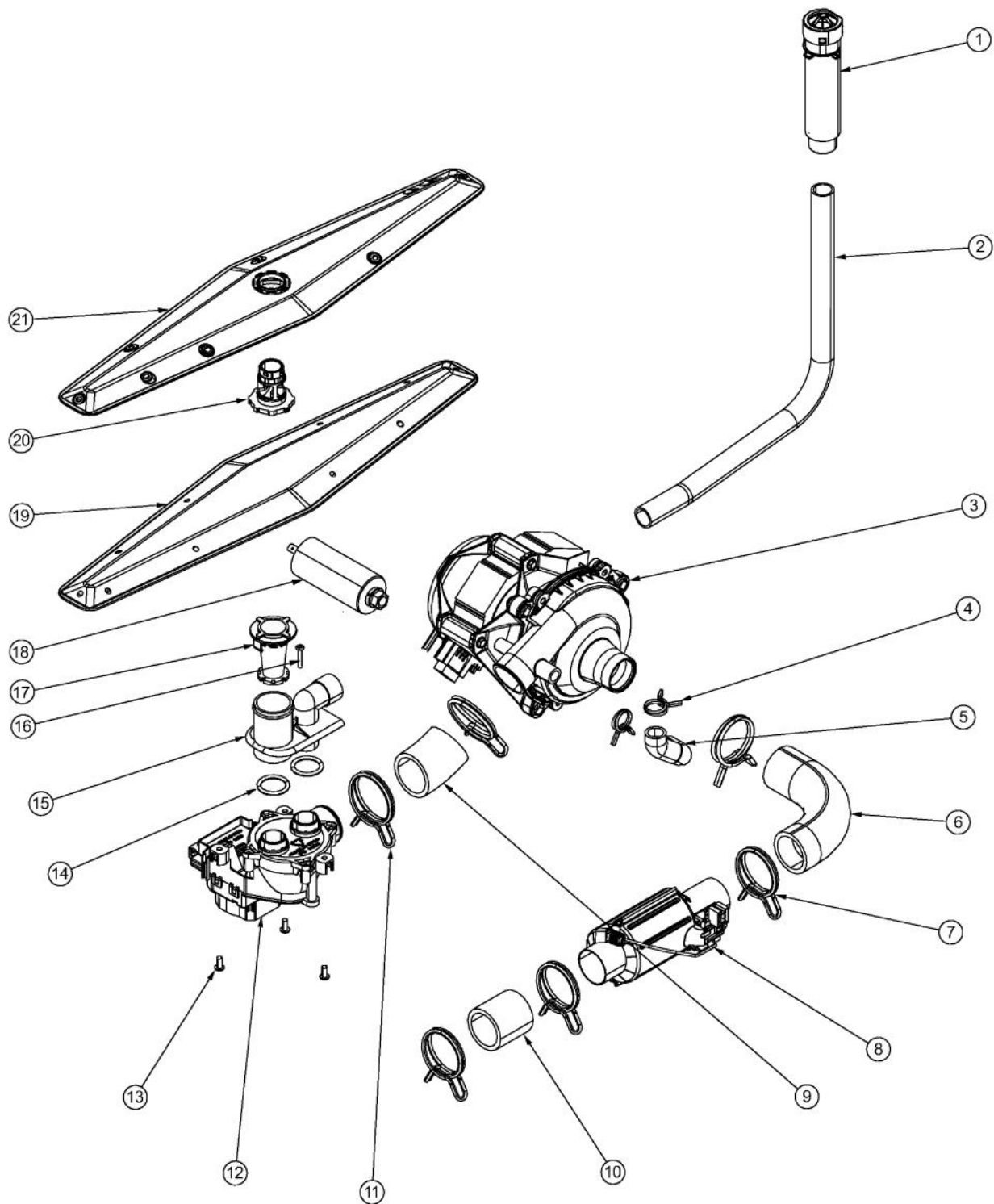
Ref #	Part Number	Qty.	Description
1	016599-000	1	BRACKET, MTG, TOP , LEFT
2	PK830411	1	FILLER, CORNER LEFT
3	B20813638	1	MOUNT, STRIKER
4	000362-000	1	CLAMP, STRIKER
5	015850-000	2	1/4-20 X 3/8 HEX WSHR THD CUT ZINC TRI-LOBULAR
6	000361-000	1	DOOR, STRIKER
7	002547-000	1	BRACKET, FLEX MTG
8	NON-SERVICEABLE	1	TUB WELDMENT
9	PK830412	1	FILLER, CORNER RIGHT
10	PD020249	2	SCREW, NO.8-18 X 3/8, TYPE B, TORX, PAN HEAD, ZINC, BL...
11	016606-000	1	BRACKET, MTG, TOP, CTR, R
12	001470-000	7	SCREW; NO.8, 18-8SS, FLAT HEAD, TORX, WOOD
13	002298-000	2	DAMPENER ASSEMBLY, DOOR
14	PK830276	2	LOCK, AIR & WATER INLET
15	019978-000	1	AIR & WATER INLET ASSY- 325 MODELS
16	PM810487	2	DOOR DAMPENER CABLE
17	013449-000	1	EDGING, MOUNTING TRIM, 325
18	C93813632	1	HINGE, DOOR RIGHT PLATED
19	006963-000	1	RING, SUMP RETAINER
20	G30813628	1	SUMP ASSEMBLY W/O PRESSURE SENSOR
21	PD020253	7	SCREW; NO.10 16X.75, 304SS, PLASTITE, PAN, TORX
22	001070-000	1	GASKET, SUMP
23	PB870227	1	SEAL, DOOR PERIMETER
24	C93813631	1	HINGE, DOOR LEFT PLATED
25	PD020263	4	SCREW; 10-32 X 5/8 TORX, FLAT HD, MACHINE, 18-8SS



Ref #	Part Number	Qty.	Description
1	016332-000	4	CIRCUIT BOARD, NYLON, G60 SHIELD
2	K2088871	2	CLAMP, TUB REAR
3	023528-000	1	BASE, LEFT
4	PB070338	1	SHIELD, DIELECTRIC
5	023489-000	1	PAN, BASE, BOTTOM
6	000380-000	1	SUPPORT, MOTOR
7	000370-000	1	MOUNT, MOTOR
8	012180-000	1	VALVE, WATER, SINGLE SOLENOID
9	PD020250	2	SCREW; NO.10-32 X 3/8 TORX, PAN, ZINC, TYPE F
10	PC070036	3	BUSHING, M.S.A.
11	013610-000	1	HOSE, INLET VALVE TO AIR & WATER INLET
12	023731-000	1	HOSE, 13.5 INLET VALVE TO AIR & WATER INLET
13	023516-000	1	BASE, REAR
14	019005-000	1	RIGHT, SIDE BASE ASSY
15	PD020249	4	SCREW, NO.8-18 X 3/8, TYPE B, TORX, PAN HEAD, ZINC, BL...
16	PE070708	1	TERMINAL BLOCK
17	PD030179	2	1/4-20 HEX NYLON INSERT LOCK NUT
18	PD020215	1	SCREW, TYPE F, PAN, TORX, ZINC, 8-32 X 1.5, BLUNT
19	G5088830	3	LEG LEVELING SYSTEM ASSEMBLY
20	PD020215	2	SCREW, TYPE F, PAN, TORX, ZINC, 8-32 X 1.5, BLUNT
21	005033-000	1	POWER CORD-90 DEGREE
22	019232-000	2	LEVELING LEG, DISHWASHER
23	008797-000	1	LABEL, CAUTION, LEVELING LEG FEET
24	PM810495	1	HEX BAR
25	PK830366	1	HEX HEAD ADJUSTER, REAR
26	PD020215	1	SCREW, TYPE F, PAN, TORX, ZINC, 8-32 X 1.5, BLUNT
27	024110-000	1	BRACKET, OVERFLOW, MOUNTING
28	008560-000	1	CHANNEL, OVERFLOW
29	010851-000	1	BRACKET, ADJUSTABLE TOE KICK, RIGHT, ASSY
30	017249-000	1	KICKPLATE, BLACK, ASSY
31	020602-000	1	BASE, FRONT ASSY
32	PF031283	1	LABEL, LEVELING ARROWS
33	019591-000	1	FRONT BASE BRACKET ASSY
34	010850-000	1	BRACKET, ADJUSTABLE TOE KICK, LEFT, ASSY
35	PF031188	1	WARNING DECAL
36	019282-001	1	BITUMEN, PNL, FR, BR
37	023931-000	1	CONTROLLER, MACHINE, DISHWASHER
38	PD020265	2	1/4-20 X 1 1/4 TORX PAN HD MACHINE SCREW
39	PM810488	2	DOOR DAMPENOR PULLEY

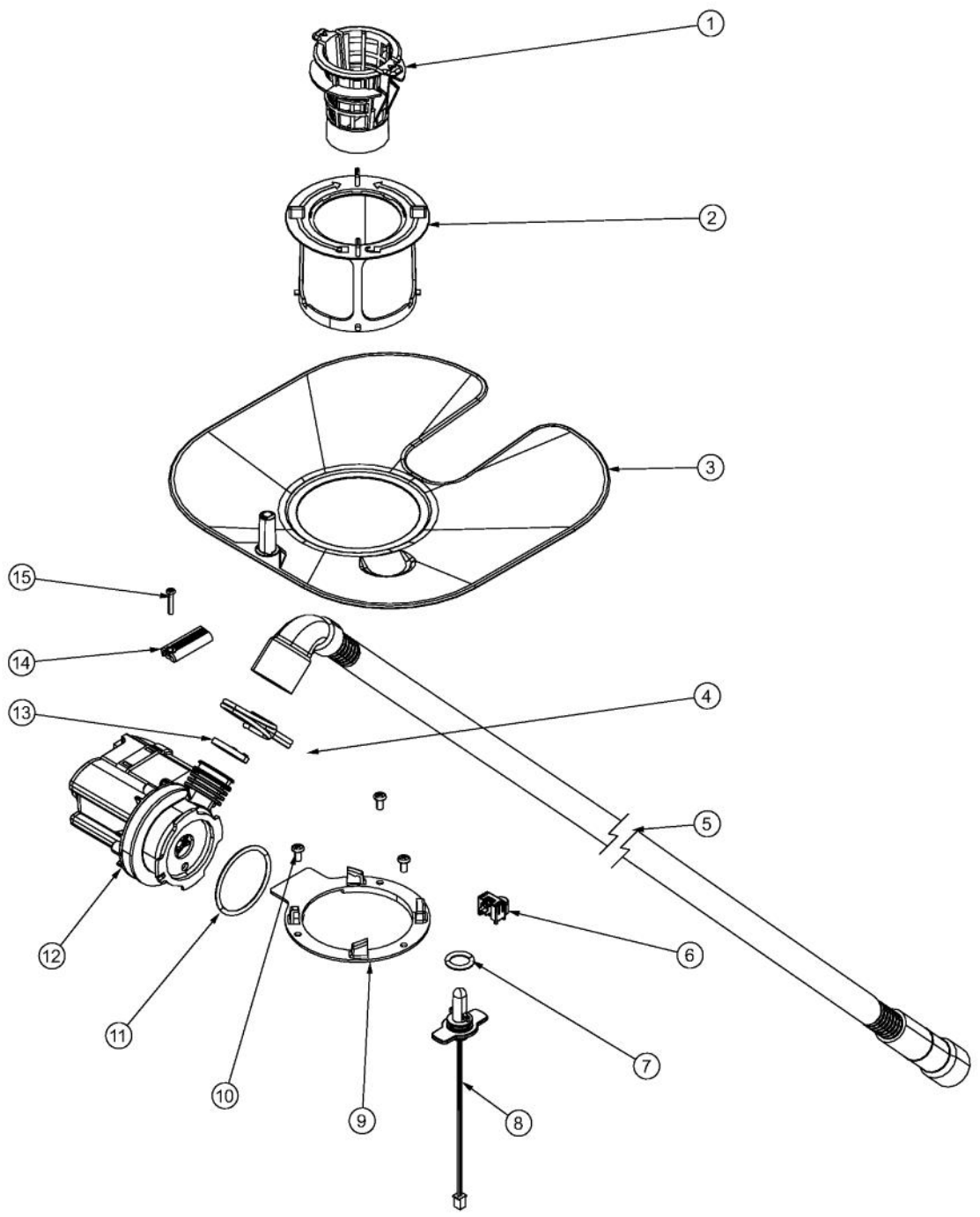


Ref #	Part Number	Qty.	Description
1	PD030156	4	NUT, W/TOOTHWASHER, ZINC, 10-32
2	PK030536	4	SLEEVE, SPACER
3	016995-000	1	SLIDE, RACK, L, ASSY
4	PK030448	4	RACK SLIDE SPACER
5	PD830123	4	DISH RACK CLIP
6	016156-000	1	ULTRA PREMIUM UPPER RACK ASSY 200
7	016996-000	1	SLIDE, RACK, R, ASSY
8	032230-000	1	SILVERWARE BASKET ASSY - 200 SERIES
9	013345-000	1	LOWER RACK ASSEMBLY- 325/200/201

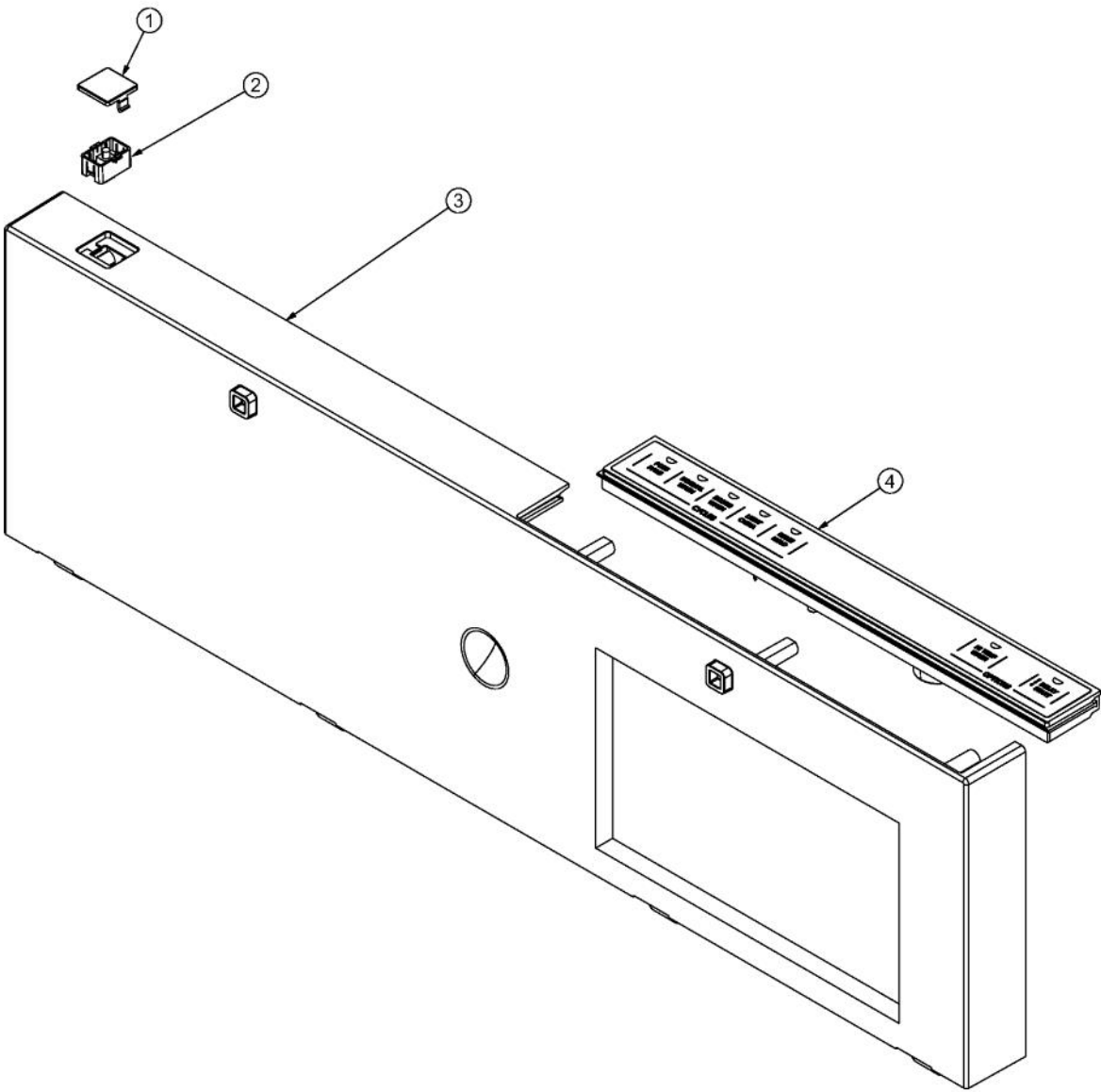




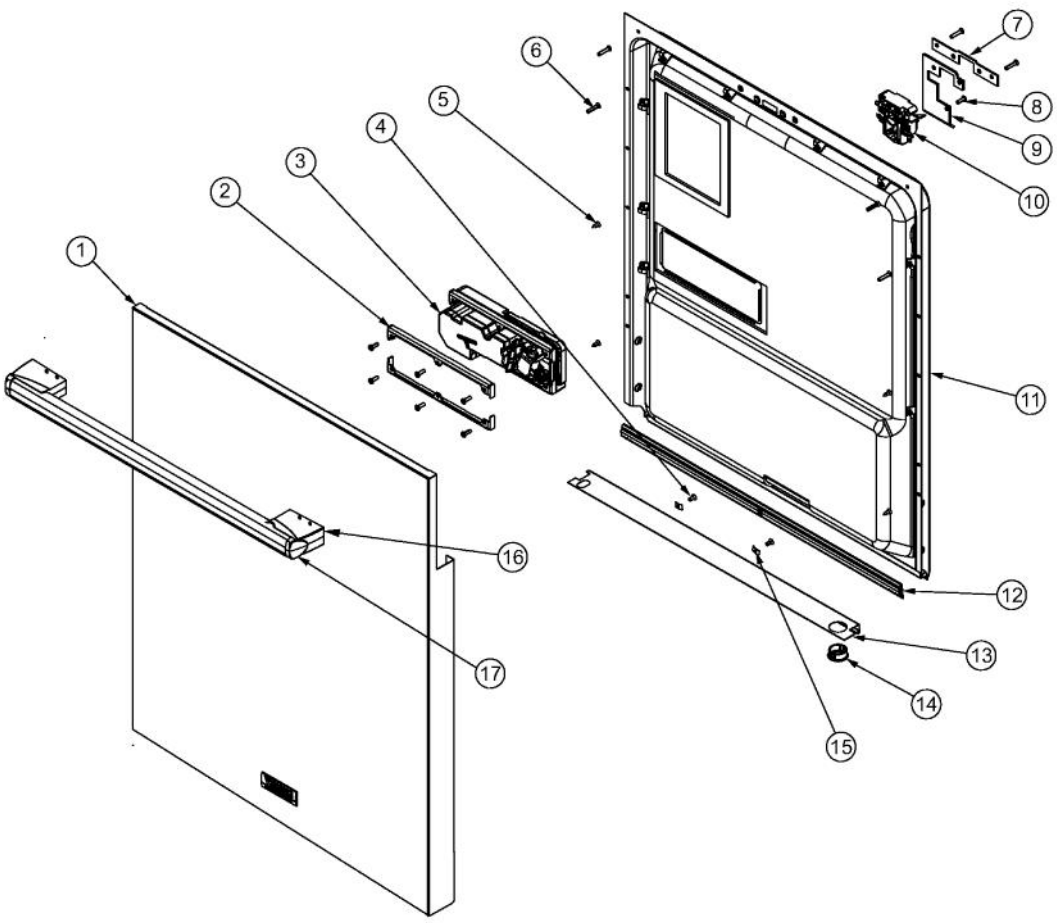
Ref #	Part Number	Qty.	Description
1	004062-000	1	REAR PORT ASSEMBLY
2	F2088867	1	CONDUIT, LOWER
3	016721-000	1	EMERSON SINGLE SPEED MOTOR & PUMP ASSY
4	PD030165	2	CLAMP, WIRE, HOSE
5	PB020264	1	HOSE, PUMP TO PERIMETER SPRAYER
6	PB020262	1	HOSE, HEATER TO PUMP
7	PD030163	4	CLAMP, WIRE HOSE
8	016403-000	1	HEATER, FLOW THRU, 1200 WATT
9	PB020263	1	HOSE, PUMP TO DIVERTER VALVE
10	PB020261	1	HOSE, SUMP TO HEATER
11	002283-000	2	CLAMP, DOUBLE WIRE, HOSE
12	PA810147	1	DIVERTER VALVE
NI	040626-000	1	DIVERTER VALVE KIT
13	PD020262	3	SCREW, 8-14X3/8 TORX, PAN HEAD, PLASTITE, 304 SS
14	PB870194	2	O-RING, DIVERTER VALVE
15	019628-000	1	VENTURI PLATE
16	PD020245	1	SCREW, NO.6-19 X 3/4 TORX, PAN HEAD, PLASTITE, 304SS
17	PK830260	1	LOWER SPRAY ARM VENTURI SPINDLE NO LONGER USED ON THIS MODEL
18	020738-000	1	CAPACITOR, MICROFORAD-17UF/250VAC
19	G2188882	1	LOWER SPRAY ARM, ASSEMBLY
20	PK830375	1	MIDDLE SPRAY ARM LOCK NUT, 1/4 TURN
21	G2188879	1	MIDDLE SPRAY ARM, ASSEMBLY



Ref #	Part Number	Qty.	Description
1	PB880032	1	TRAP, GLASS
2	G5088865	1	FINE FILTER ASSEMBLY
3	019381-000	1	FILTER, PRIMARY ASSY
4	002283-000	1	CLAMP,DOUBLE WIRE, HOSE
5	PB820205	1	HOSE, DRAIN
6	PE050229	1	FLOOD SENSOR
7	PB870196	1	SUB TO 020784-000 - O-RING, LEVEL SENSOR
8	003457-000	1	SENSOR, TEMPERATURE ASSY
9	PD830110	1	FILTER LOCKING PLATE
10	009039-000	3	SCREW, NO.10 X 3/8 PHIL PAN HD PLASTITE 18-8 PASSIVAT...
11	PB870195	1	O-RING, DRAIN PUMP
12	006521-000	1	PUMP, DRAIN ASM
13	PJ040007	1	FLAPPER, DRAIN PUMP
14	PK830239	1	DRAIN FILTER
15	PD020253	1	SCREW; NO.10 16X.75, 304SS, PLASTITE, PAN, TORX



Ref #	Part Number	Qty.	Description
1	002702-000	1	BUTTON, START
2	PE050225	1	MAIN POWER SWITCH
3	016727-000	1	CONSOLE, ELECTRONIC CONTROL, 200 DRILLED
4	016258-000	1	INTERFACE, USER, 200 ASSY
NI	028685-000	1	200 SERIES START SWITCH AND COVER KIT



Ref #	Part Number	Qty.	Description
1	019564-000	1	DOOR, SKIN, INTEGRATED, DSNR SS
1	019565-002	1	DOOR, SKIN, INTEGRATED, DSNR BK
1	019565-006	1	DOOR, SKIN, INTEGRATED, DSNR WH
2	PK050002	1	BRACKET, SOAP/RINSE-AID DISPENSER
3	PM810482	1	DETERGENT/RINSE AID DISPENSER
4	002550-000	2	TINNERMAN NUT
5	PD020264	4	SCREW, 8-18 X 3/8, TORX, FLAT HEAD, 304 SS, TYPE AB
6	PD020211	6	SCREW, PLASTITE, FLAT HEAD, TORX, 304SS, 8-16 X 0.75
7	019464-000	1	SPACER, DOOR LATCH
8	008987-000	7	SCREW, NO.8 X 1/2 PAN TORX ZINC HIGH-LOW
9	000870-000	1	LATCH, BRACKET
10	013380-000	1	DOOR LATCH
11	025031-000	1	DOOR, INNER W BITUMEN 325
12	014072-000	1	SEAL, DOOR, LOWER
13	013743-000	1	BRACKET, DOOR, INNER, 325
14	PC070036	1	BUSHING, M.S.A.
15	003655-000	2	NO.8-32 X 1/4 FLAT 18-8 PASSIVATED MACHINE TORX
16	009083-000	2	DESIGNER HANDLE ENDCAP
17	013210-000	1	HANDLE, DISHWASHER, ALUM, ANODIZED

*No Image  
Available*



Ref #	Part Number	Qty.	Description
NI	013374-000	1	HARNESS, HIGH VOLTAGE BASE
NI	013377-000	1	HARNESS, LOW VOLTAGE BASE
NI	001796-000	6	RETAINER, HARNESS
NI	PK030170	6	RETAINER, HARNESS
NI	016632-000	1	HARNESS, LOW VOLTAGE, DOOR
NI	002071-000	1	WIRE GROUND LEAD ASSEMBLY