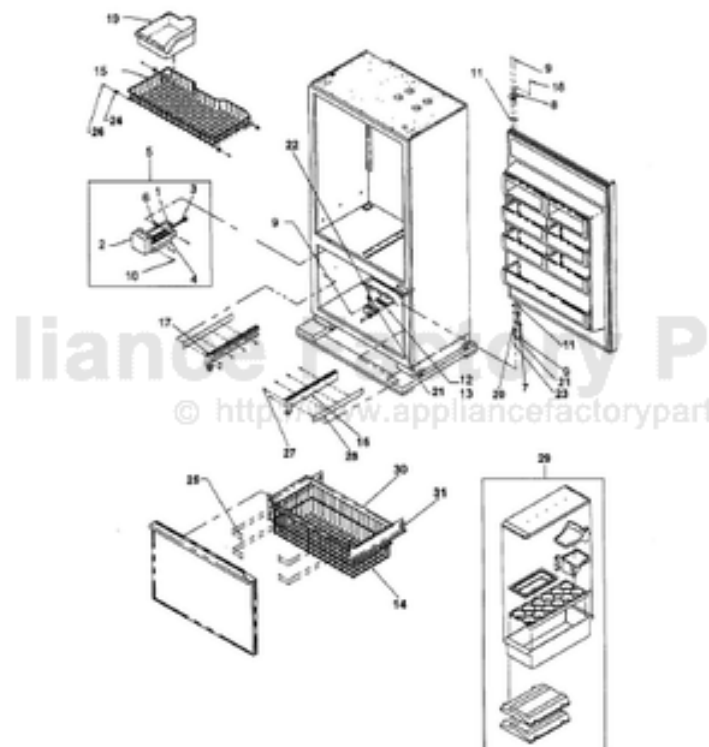


This Owner's Manual is provided and hosted by [Appliance Factory Parts](http://www.appliancefactoryparts.com).



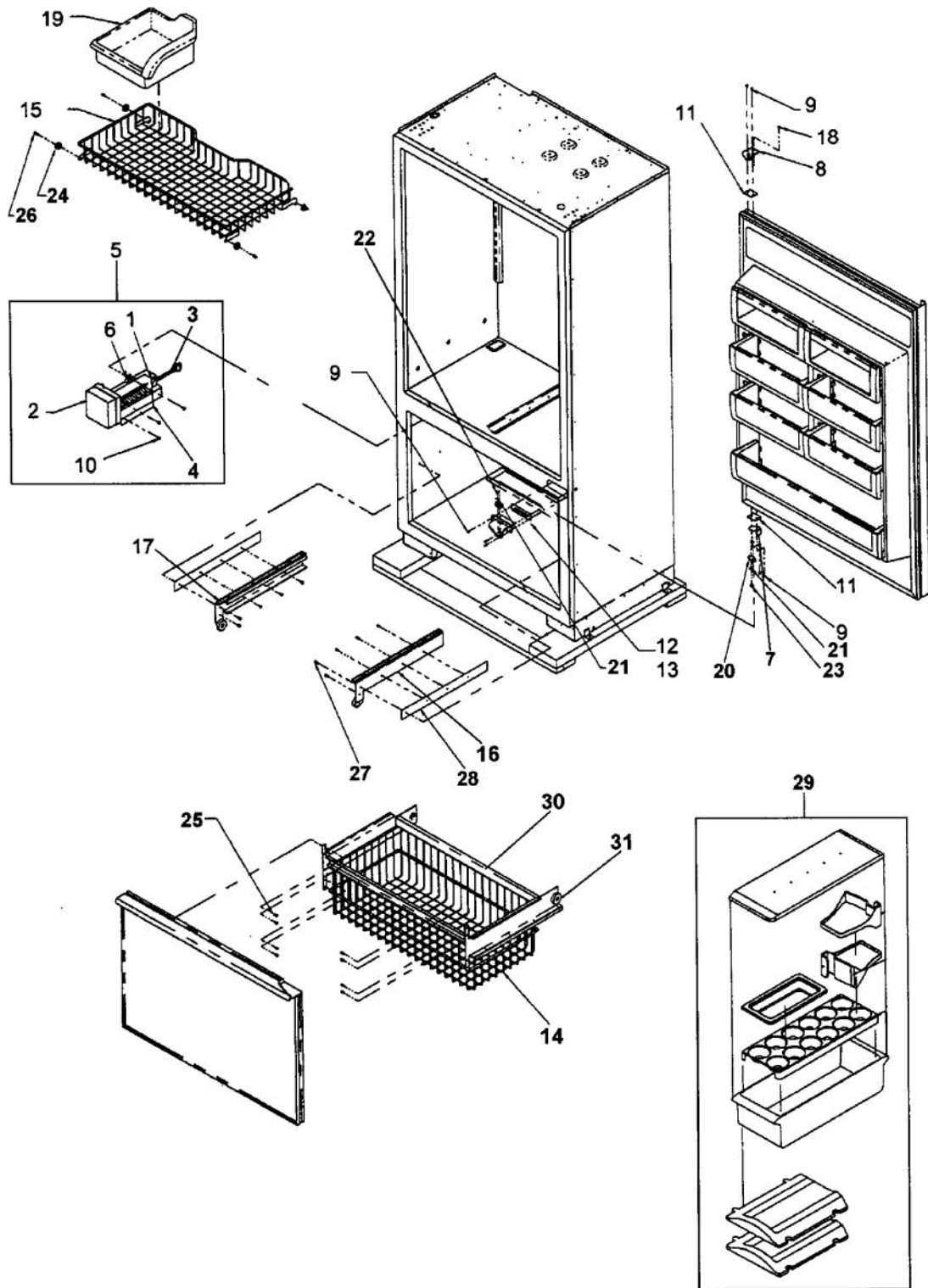
# VIKING DDBB363\_G\_ Owner's Manual

[Shop genuine replacement parts for VIKING  
DDBB363\\_G](#)

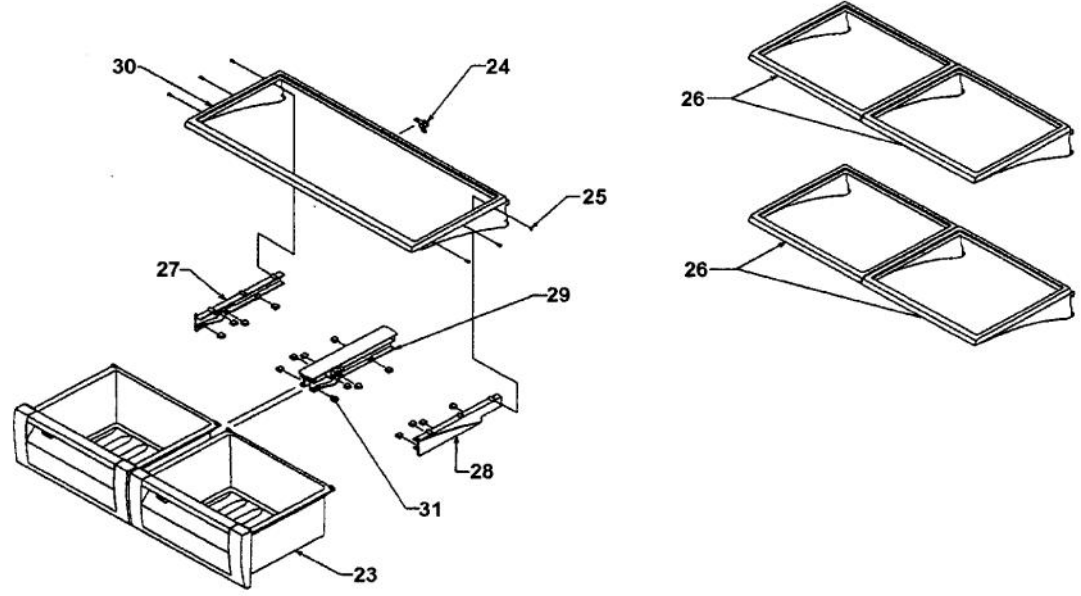
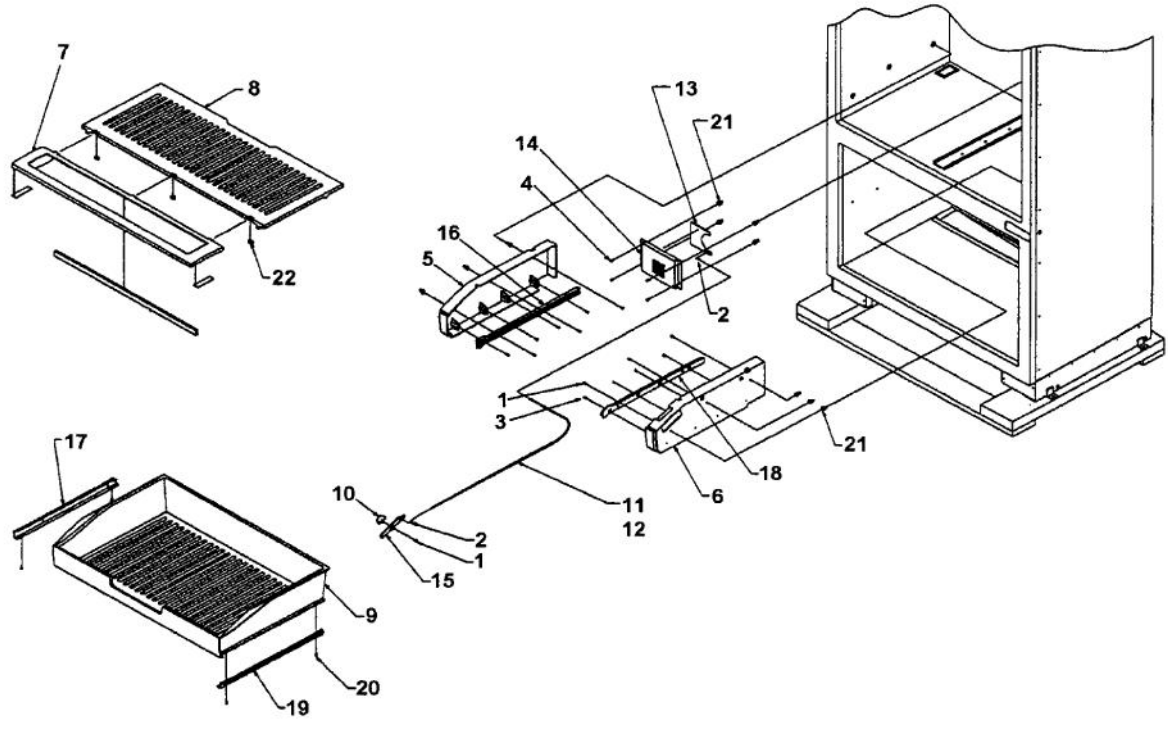


[Find Your VIKING Refrigerator Parts - Select From 341 Models](#)

----- Manual continues below -----



Ref #	Part Number	Qty.	Description
1	B5720302		CLIP
2	V10519806V		COVER-IM
3	D7813004		HARNESS-MOD IM VD7813004
4	PM910220		ARM-IM SHUTOFF
5	G50911858		ICE MAKER ASM, SXS ND, AF
6	10526701		CLAMP-WIRE V10526701
7	PC920041		RC LOWER HINGE ASSY LH BTM MT
	PC920038		LOWER HINGE ASSEMBLY (RH)
8	PC920056		SUB TO G50911810 - PIVOT PL ASSY LH UP REP V12043408
	PC920054		RIGHT UP PIVOT PLT ASSY
9	M0226233		SUB TO PD920174 - 10 X 7/8 PHILLIPS SMA TRI LOBE SA
10	M0211018		SCREW-SM
11	12493901		SPACER, HINGE
12	12068402		SHIM, CENTER HINGE
13	12068403		SHIM, CENTER HINGE
14	G5097163		BASKET BOTTOM ASM BM 36
15	PM910171		SUB TO PM010634 - BASKET TOP 36 BM FZ
16	G5096594		R BRACKET ASSY - RPLCS J9096618WH
17	G5096595		L BRACKET ASSY - RPLCS J9096619WH
18	40370P01		NYLON FLAT WASHER V40370P01
19	PK930056		PAN ICE
20	PC920071		DOOR CLOSURE
21	M0272803		WASHER-LOCK
22	M0321202		TIE-ELEC
23	M0202528		SCREW-MACH NO.
NI	PC920052		HINGE TAP L LW REP V12119504
NI	PC920050		HNGE TP RLW VCBB360RSS RE V12119503
24	12088001		ROLLER-UP BSKT V12088001
25	M0238731		SCREW-SM
26	M0220957		SCREW, SHOULDER
27	M0253258		SCREW, TF
28	12131901		SHIM, FZ BASKET
NI	B5720304		CLIP VB5720304
NI	M0210443		SCREW-E SM
NI	M0224416		SCREW-SM
NI	G5096604		36 TOE GRILLE ASSY REPL 12064406
29	12460005		ACCESSORY ASSEMBLY - INCLUDES:
30	PM910170		BASKET FRAME ASM 36 BM
31	12088101		ROLLER-OUTER GLIDE



Ref #	Part Number	Qty.	Description
1	M0211018		SCREW-SM
2	M0213105		SCREW-SM
3	M0215318		SCREW-SM
4	M0238616		SCREW-SM
5	V12202601		SUPPORT-L DRAWER NO.
6	V12073003		SUPPORT-R DRAWER NO.
7	V12223207		SUB TO 000368-000 - DELI LID ASSY 36 BM
8	PK930043		SUB TO 000368-000 - DELI TOP ASSEMBLY
9	V12073303		DRAWER-DELI 36 BM
10	V12073401		KNOB-DELI CONT
11	12073501		TUBE-PLASTIC
12	12073505		TUBE-PLASTIC
13	V12073601		SLIDE-DELI CONT
14	V12073701		COVER-DELI CONT
15	V12070501		GLIDE-DELI KNOB NO.
16	12073901		GLIDE-L SUPPORT V12073901
17	12073902		GLIDE-L DRAWER V12073902 -
18	12073903		GLIDE-R SUPPORT V12073903
19	12073904		GLIDE-R DRAWER V12073904
20	M0224128		SCREW-SM
21	M0581001		GROMMET-SCREW
22	12486202		CLIP-DELI TOP 36 REPL V12486201
23	V12056902		CRISPER PAN ASSY 36 BM
24	12046701		CRISPER RAIL WELD
25	M0210417		SCREW, SS SM
26	12021302		SHELF, REF
27	V12064501		GLIDE, LH CRISPER
28	V12064502		GLIDE, RH CRISPER
29	V12064601		GLIDE-CTR CRISPER NO.
30	12021402		SHELF, CRISPER
31	12064701		PAD-GLIDE V12064701

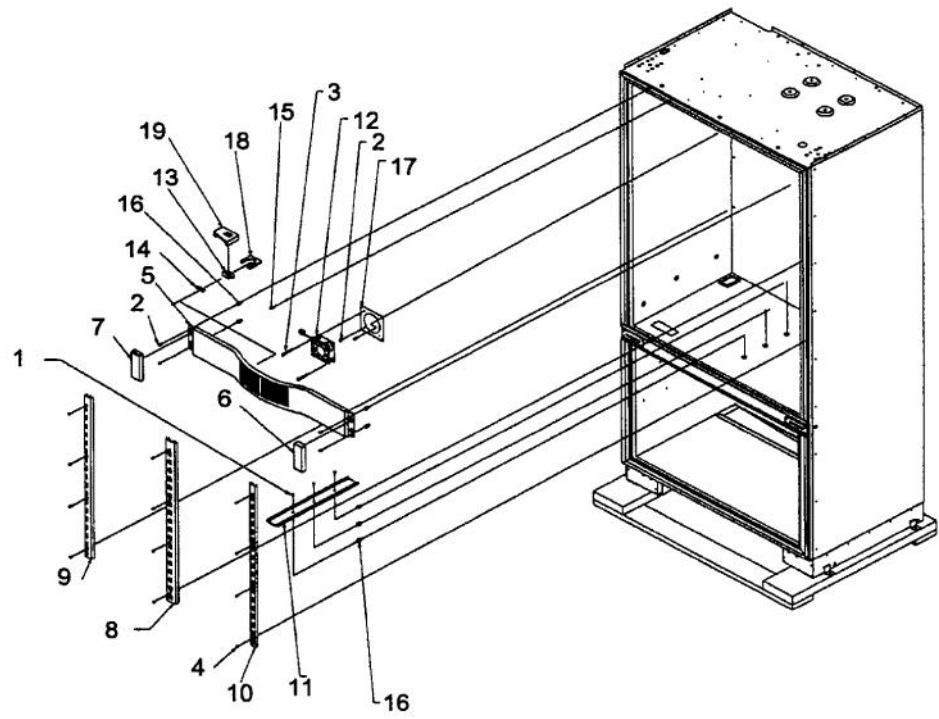
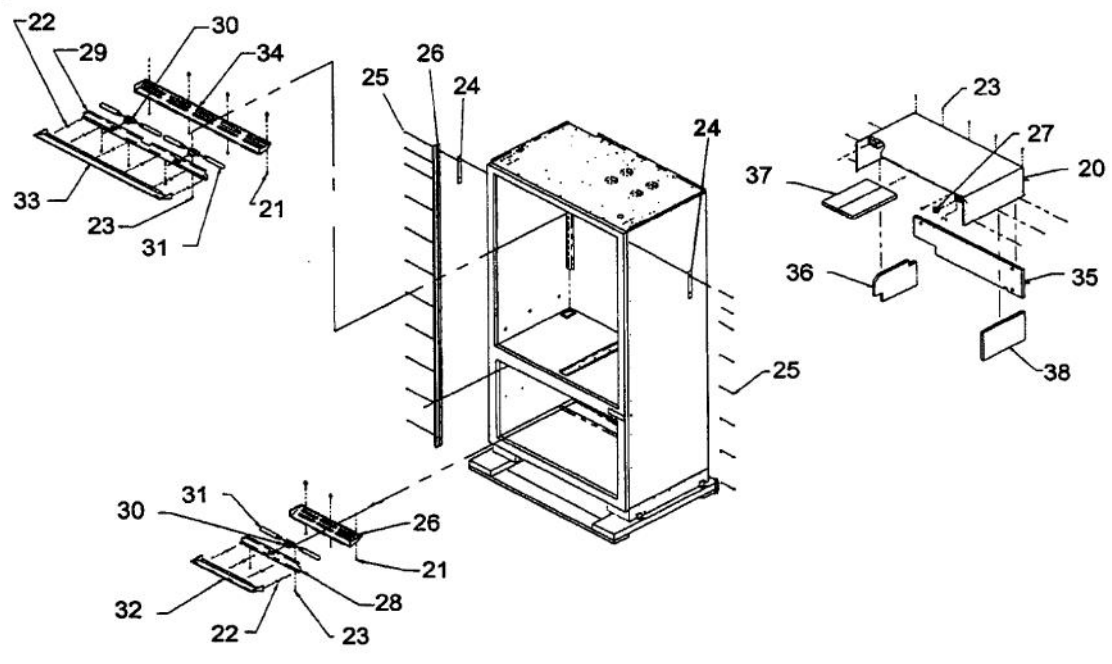
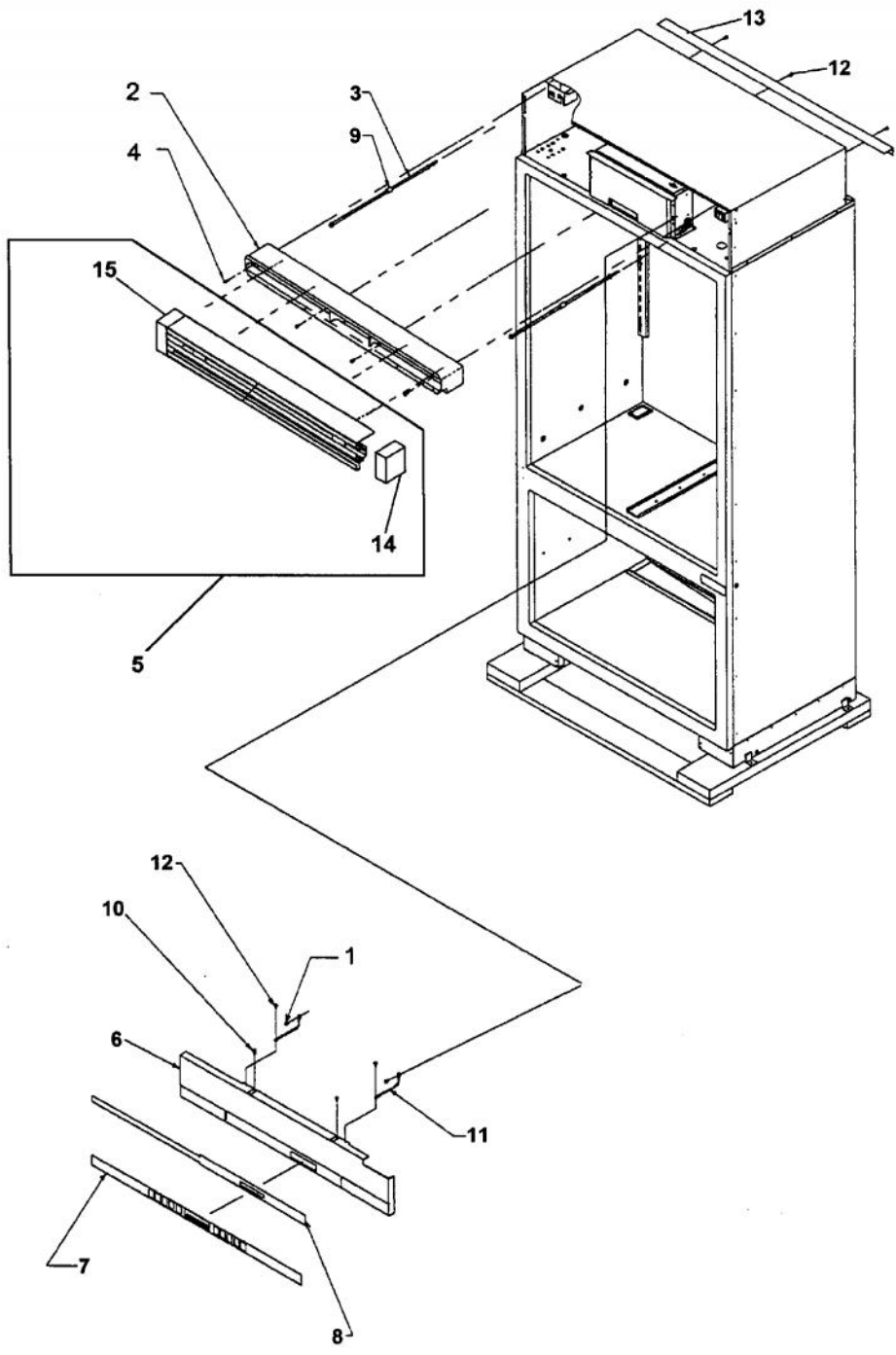


Image 1

Image 2

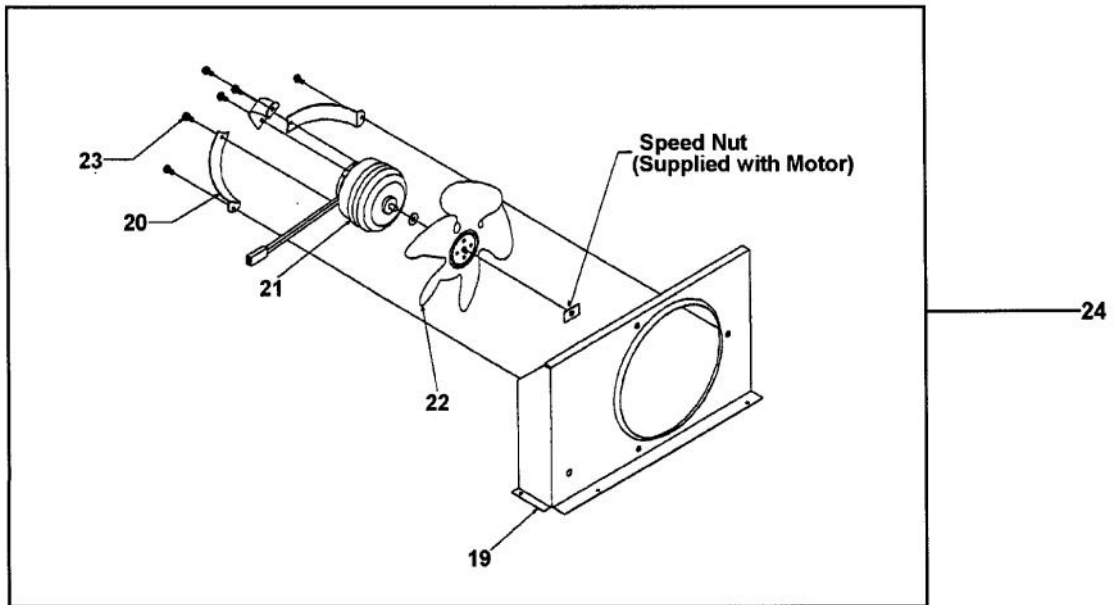
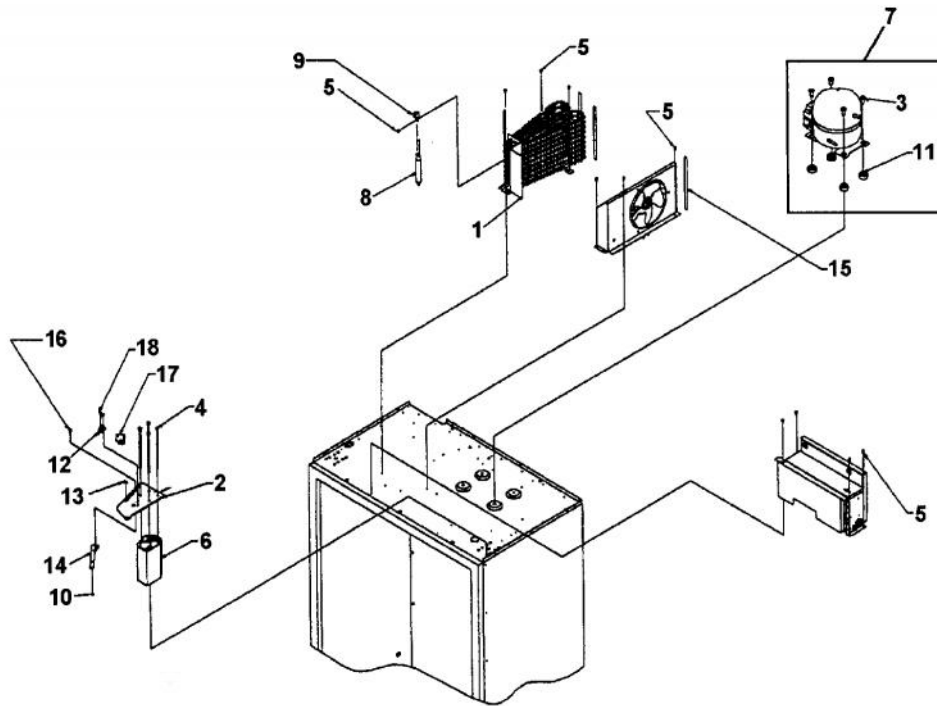


Ref #	Part Number	Qty.	Description
1	M0238616		SCREW-SM
2	M0211018		SCREW-SM
3	M0218137		SCREW-SM
4	M0234005		SCREW-TF
5	12067401		FAN COVER
6	12070201		CAP-R FAN COVER V12070201
7	12070202		CAP-L FAN COVER V12070202
8	12071501		LADDER-CTR CANT V12071501
9	12071601		LADDER-L SIDE CANT V12071601
10	12071701		SUB TO PK020074 - LADDER-R SIDE CANT
11	12118901		TRACK-DELI DRAWER
12	12075003		MOTOR-REF FAN
13	C8983701		THERMISTOR
14	12090301		CLIP-S V12090301
15	M0232903		SCREW-SE
16	M0581001		GROMMET-SCREW
17	K2096475		PLATE-FAN MNT 12404701
18	12404901		GASKET-THERM V12404901
19	12406001		INSULATION, THERMAL
20	G3096601		MC COVER WELD
21	M0238846		SCREW-SHLDR
22	M0108201		CLIP-S
23	M0238616		SCREW-SM
24	12135402		SHIM-CAB TRIM
25	M0210417		SCREW, SS SM
26	B2096406		RETAINER CABINET - SS
	C9396406BR		SIDE TRIM PVD REPL C9305409BR
27	12074801		SWITCH, POWER
28	L2098313		BRACKET, LT, 36 BTM, FZ
29	L2098310		BRKT REF LIGHT
30	PE950125		LIGHT SOCKET
31	A3079001		LAMP - 40W
32	12074501		COVER-FZ LIGHT
33	12072001		COVER-REF LIGHT V12072001
34	12072801		LENS, REF LIGHT
35	12074401		INSUL-BACK MC CVR V12074401
36	12074601		INSUL-L MC CVR V12074601
37	12074701		INSUL-MC CVR V12074701
38	12074702		INSUL-R MC CVR V12074702
39	12034901		LENS, FZ LIGHT
NI	PM910069		CABINET TRIM - R
NI	PM910070		SUB TO PK920066 - TRIM CABINET L

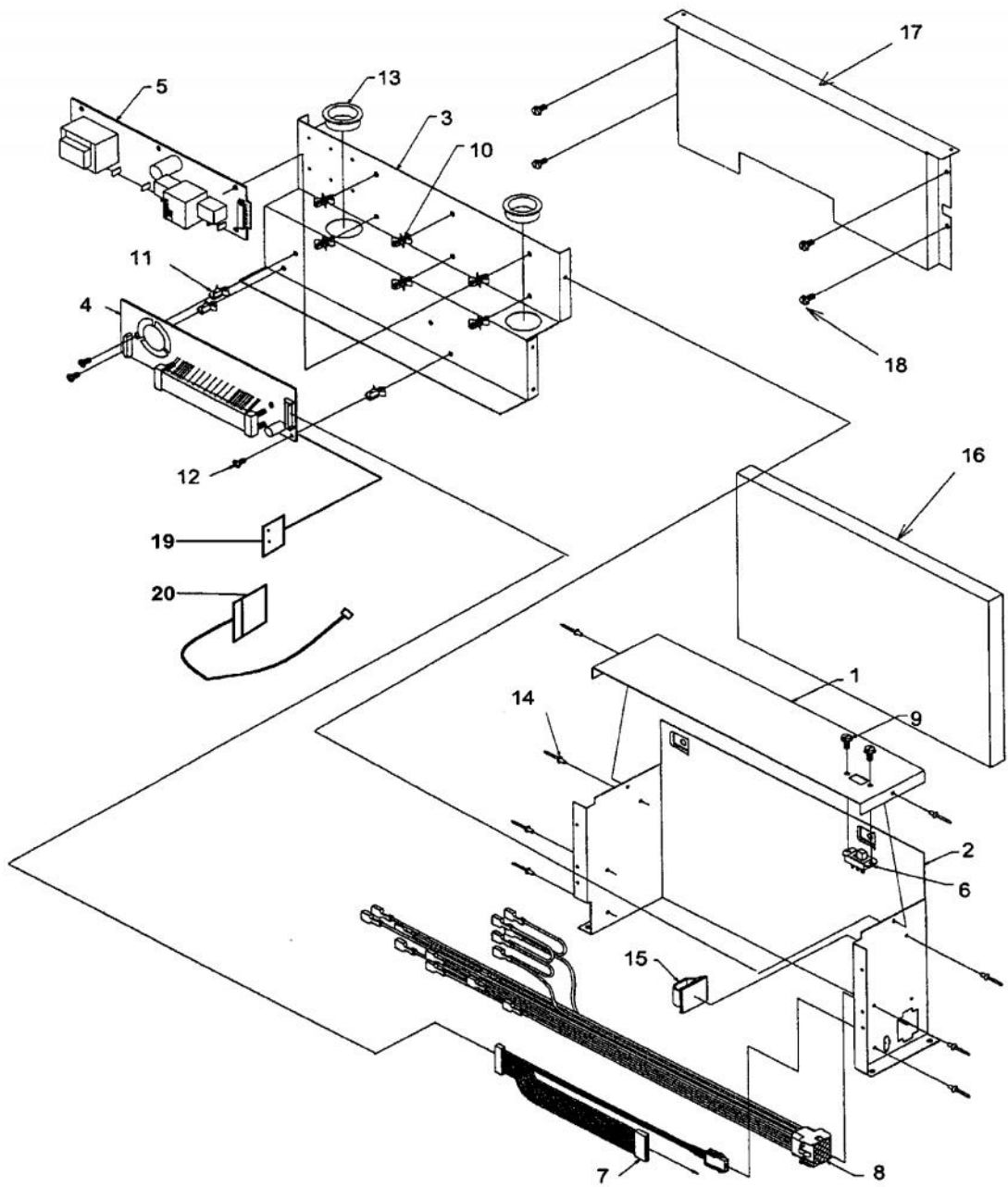




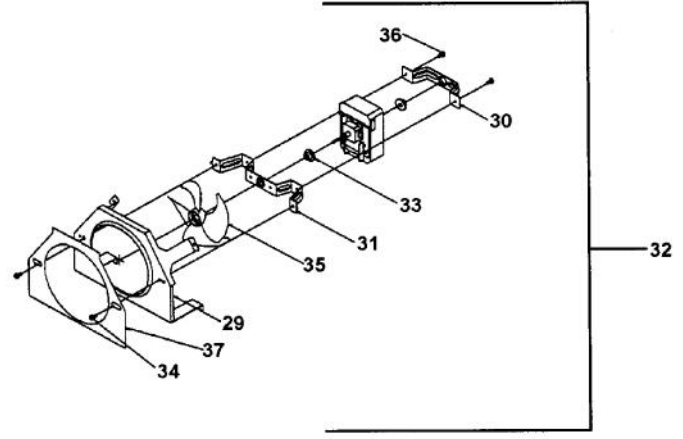
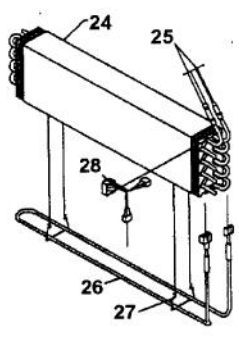
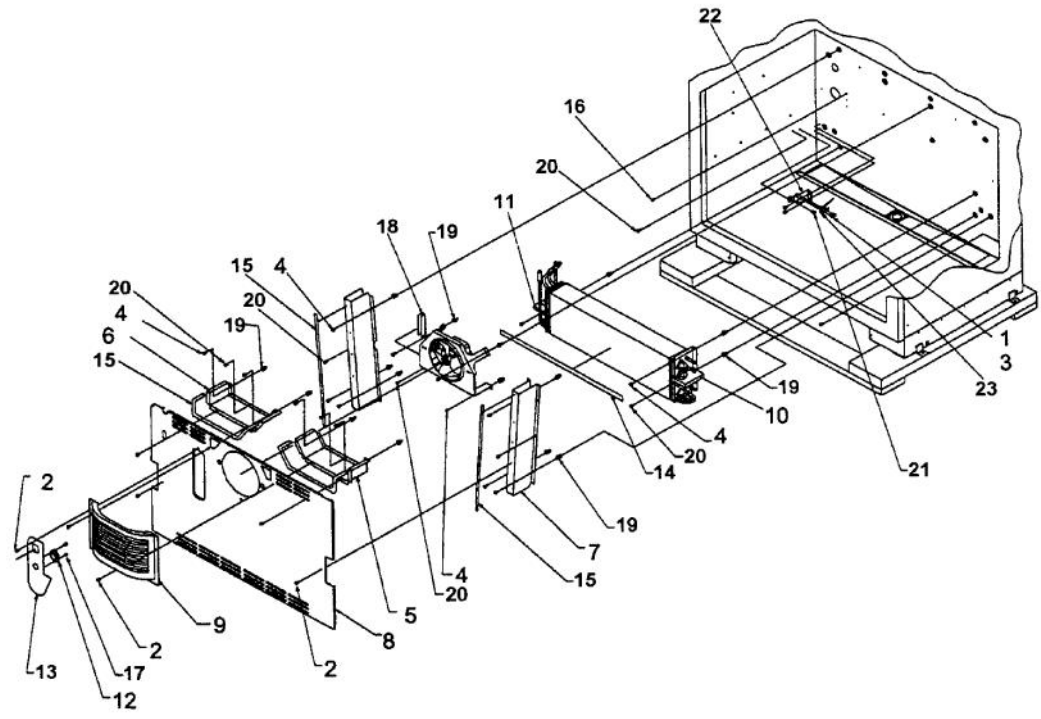
Ref #	Part Number	Qty.	Description
1	M0238846		SCREW-SHLDR
2	G9096592BK		AIR DUCT WELD ASSY
3	M0223603		SCREW-LAG
4	M0238616		SCREW-SM
5	G3296926		GRILLE ASSY 48 EXTRUDED 36 L TRIM
	G3296927		GRILLE, ASSY. - RIGHT HINGE
6	PE940182		SUB TO PK030458 - COVER CONT PANEL
	PE940184		COVER CONT PANEL
7	PE980001		OVERLAY, KEYBOARD
8	12071801		SWITCH, KEYBOARD
9	12349301		BEARING-SLEEVE V12349301
10	M0224128		SCREW-SM
11	12064001		SUPP-CONT PANEL
12	A4539601		SUB TO PC040010 - RIVET-POP VA4539601
13	K2096588		SHIELD POWER CORD 12180502
14	PM910079		RH END CAP
15	PM910080		LH END CAP



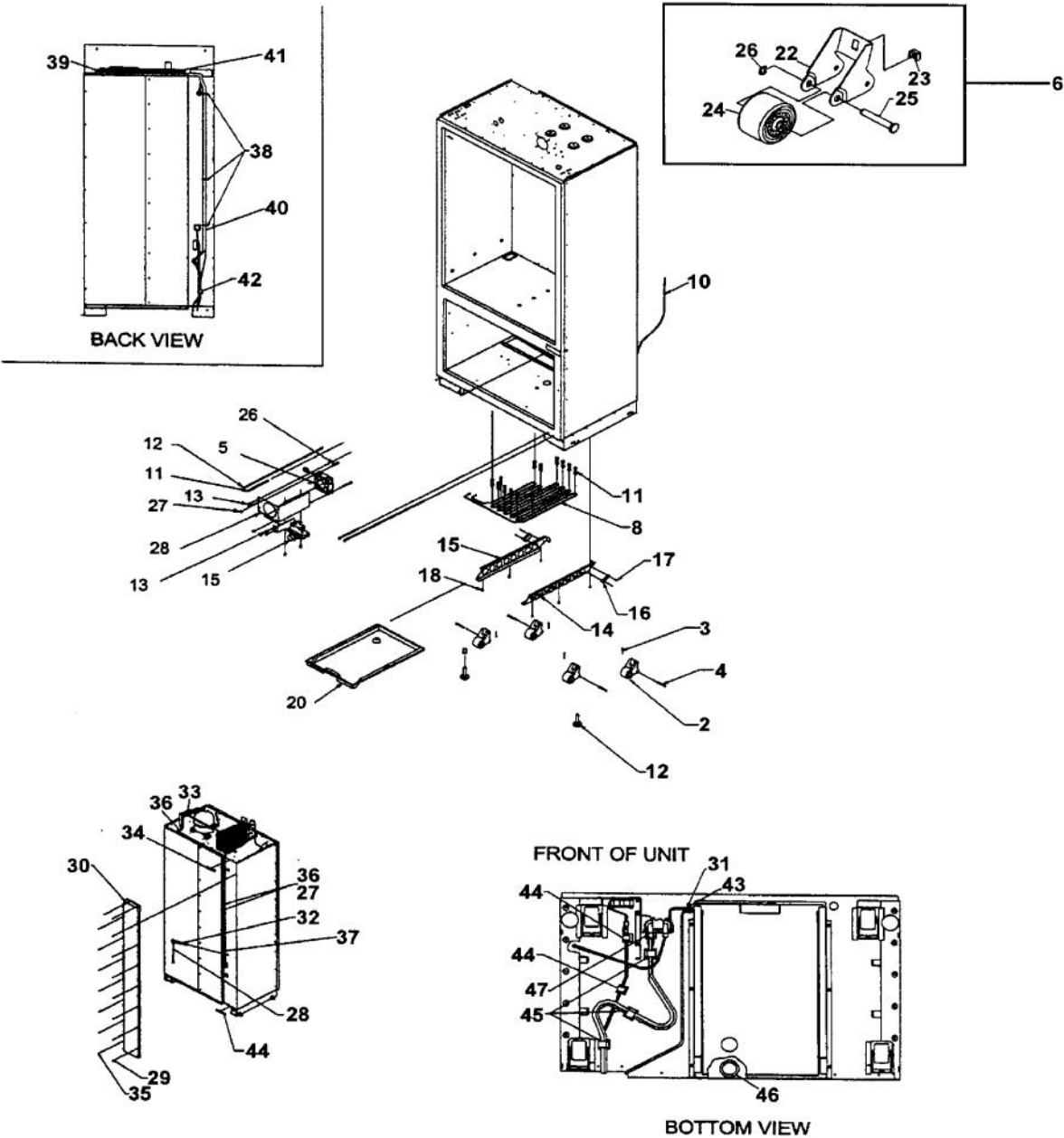
Ref #	Part Number	Qty.	Description
1	G5096495		GASKET, REF DOOR
2	PC920065		TOP HINGE ASSY(VCBB362LSS)
	PC920064		RIGHT TOP HINGE ASSEMBLY
3	M0221523		SCREW - SHLDR
4	M0206313		SCREW-MACH
5	M0238616		SCREW-SM
6	12067901		EXTRSN-TOP HINGE V12067901
7	G5097976		COMPRESSOR ASSEMBLY (363 AND 483)
NI	G5098300		INVERTER ASSEMBLY
8	10743201		DRIER, HI SIDE
9	10547001		CLIP-DRIER V10547001
10	40370P01		NYLON FLAT WASHER V40370P01
11	10835901		GROMMET RUBBER V10835901
12	PE950121		SWITCH
	PE950122		SWITCH
13	12348701		BUMPER-DOOR STOP V12348701
14	PC920068		ARM DOOR STOP LH
	PC920066		ARM, DOOR STOP, RH
15	A3189370		GASKET-FOAM VA3189370
16	M0220942		SCREW-SHLDR
17	12140701		COVER-SWITCH V12140701
18	M0234005		SCREW-TF
19	K2196428		SHROUD, COND FAN
20	10582501		BRKT-COND MTR V10582501
21	10522103		MOTOR-PSC V10522103
22	B5742603		BLADE-FAN
23	M0223816		SCREW-TR
24	G5096494		COND. FAN ASSY



Ref #	Part Number	Qty.	Description
1	K2096429		SUB TO K2098657 - TOP-CONT BOX 12090801
2	K2097709		BOX CONTROL
3	K2096430		BRKT-PC 12090901
4	G50911837		LOW VOLT / HIGH VOLT BOARD KIT (BEFORE 11/17/03)
	G50911826		LOW VOLTAGE BOARD KIT (AFTER 11/17/03)
5	G50911826		LOW VOLTAGE BOARD KIT (AFTER 11/17/03)
	PE970463		POWER CONTROL BOARD
6	10544502		SWITCH-SLIDE GRN
7	PE970464		HARNESS LOW VOLT
8	12271701		HARNESS-HIGH VOLT V12271701
9	M0223816		SCREW-TR
10	M0585504		SUPPORT
11	M0585506		SUPPORT
12	M0217204		SCREW, SM
13	A4554817		BUSHING-SNAP VA4554817
14	A4539601		SUB TO PC040010 - RIVET-POP VA4539601
15	M0104106		CLIP-CORD VM0104106
16	12074703		INSUL-CONT BOX V12074703
17	K2096431		FRONT-CONT PANEL 12091001
18	M0238616		SCREW-SM
NI	M0288120		NUT-SPEED, VM0288120

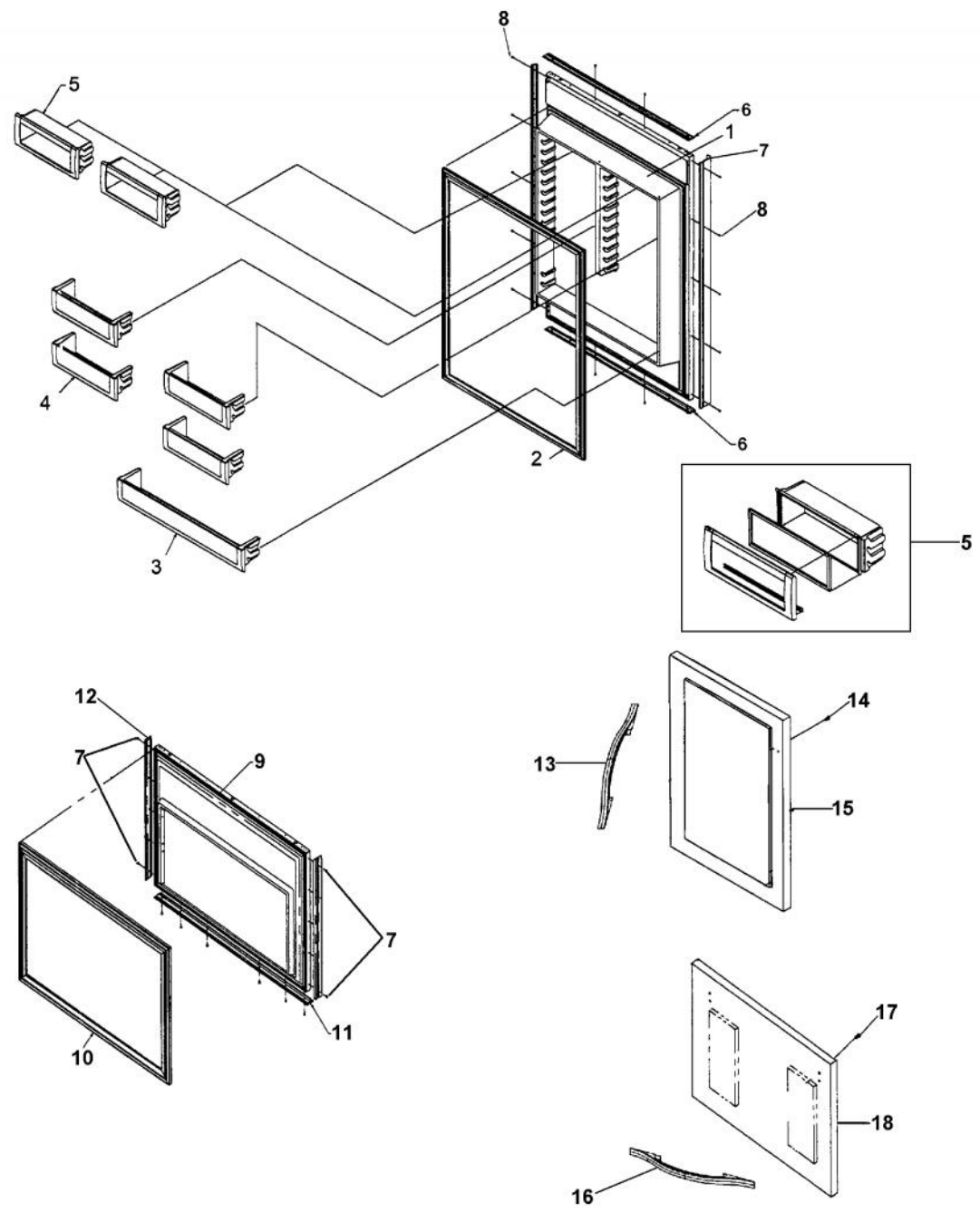


Ref #	Part Number	Qty.	Description
1	M0322202		TIE-WIRE
2	M0211018		SCREW-SM
3	M0213105		SCREW-SM
4	M0238616		SCREW-SM
5	K2097169		BRKT DIVIDER R
6	K2097168		BRKT DIVIDER L
7	K2097172		RETURN AIR CHANNEL
8	C9097158WH		COVER EVAP BM 36 XWHX
9	12063301		FREEZER FAN COVER
10	12067201		BLOCK, RH EVAP
11	12067301		BLOCK-L EVAP V12067301
12	C8983701		THERMISTOR
13	V12089103		COVER, FZR. SWITCH
14	A3189348		GASKET-FOAM VA3189348
15	A3030335		GASKET VA3030335
16	M0232903		SCREW-SE
17	M0211014		SCREW-SM
18	A3189368		GASKET-FOAM VA3189368
19	M0581001		GROMMET-SCREW
20	M0232929		SCREW-SE
21	M0224416		SCREW-SM
22	K2096589		BRACKET, SW MNT
23	003471-000		SWITCH SNAP-ACTION BM 36
24	PM910178		BOTTOM MOUNT EVAP
25	PB920154		HEAT EXCHANGER ASM BM 36
26	PJ910030		BOTTOM MOUNT EVAP HEATER
27	10428101		CLIP-EVAP HTR V10428101
28	10442407		THERMOSTAT 10442411
29	PM910168		SHROUD EVAP FAN BM
30	10656001		BRKT-MTR MT/LW V10656001
31	10656101		BRKT-MTR UP STEEL V1065601Q
32	G5096546		36 EVAP FAN ASSY - REPL 12062401
33	A1017202		GROMMET-FAN VA1017202
34	M0253543		SCREW-TF
35	12059901		FAN-EVAP/5.250 V12059901
36	M0224416		SCREW-SM
37	V12102401		GASKET, EVAP FAN SHROUD





Ref #	Part Number	Qty.	Description
1	12075003		MOTOR-REF FAN
2	G5096596		ROLLER BRKT ASSY RPLCS G5096490
3	M1200004		PIN-COTTER
4	M1200203		PIN-CLEVIS
5	M0204339		SCREW-ADJ ROLLER VM0204339
6	10093305		SCREW-ADJ ROLLER V10093305
7	M0220417		SCREW-TC
8	F2096549		SERPENTINE-DRAIN 12131801
9	PA970012		SINGLE WATER VALVE
	G50911842		WATER VALVE/BRACKET SVC KIT (UNITS MFG. FROM 3/12/04 - 1/26/05)
10	B5705323		TUBE, PLASTIC
11	12071201		CLIP-DRAIN LOOP
12	12150601		FOOT-LEVELING V12150601
13	M0280801		NUT-HEX VM0280801
14	K2096585		RAIL, RH PAN
15	K2096586		RAIL-LH PAN 12143902
16	K2096439		ANGLE-DRAIN PAN 12143801
17	A4539601		SUB TO PC040010 - RIVET-POP VA4539601
18	M0224416		SCREW-SM
19	M0204723		SCREW 8-32X1.5 HEX SL W M\S
20	12071301		PAN-DRAIN (NON-ANTIMICROBIAL)
21	K2096590		BRACKET, DC FAN
22	PM910125		ROLLER BRACKET
23	M0286708		NUT-SPEED
24	12034201		ROLLER-CABINET
25	M1252901		PIN, PIVOT
26	M0273801		RING-RETAINING
27	M0211018		SCREW-SM
28	12115101		CLAMP-TUBE V12115101
29	M0238616		SCREW-SM
30	K2096444		COVER-HT EXCHANGE 12187701
31	M0102303		CLAMP-TUBE VM0102303
32	10463201		ELBOW, FILL TUBE
33	10851310		INSUL-TUBING V10851310
34	A3189370		GASKET-FOAM VA3189370
35	A4539601		SUB TO PC040010 - RIVET-POP VA4539601
36	M0102303		CLAMP-TUBE VM0102303
37	M0102804		CLAMP-TUBE VM0102804
	A3223101		INSERT-TUBE VA3223101
38	M0322202		TIE-WIRE
39	A4554806		BUSHING-SNAP VA4554806
40	12405601		HARNESS-CABINET V12405601
	12405602		HARNESS-CABINET V12405602
41	10916507		TUBE-PROCESS GRN
42	M0104102		CLIP-CORD RED
43	M0211018		SCREW-SM
44	M0104106		CLIP-CORD VM0104106
45	M0104102		CLIP-CORD RED
46	A3076901		PLUG-BUTTON VA3076901
47	M0753001		NUT-SLEEVE



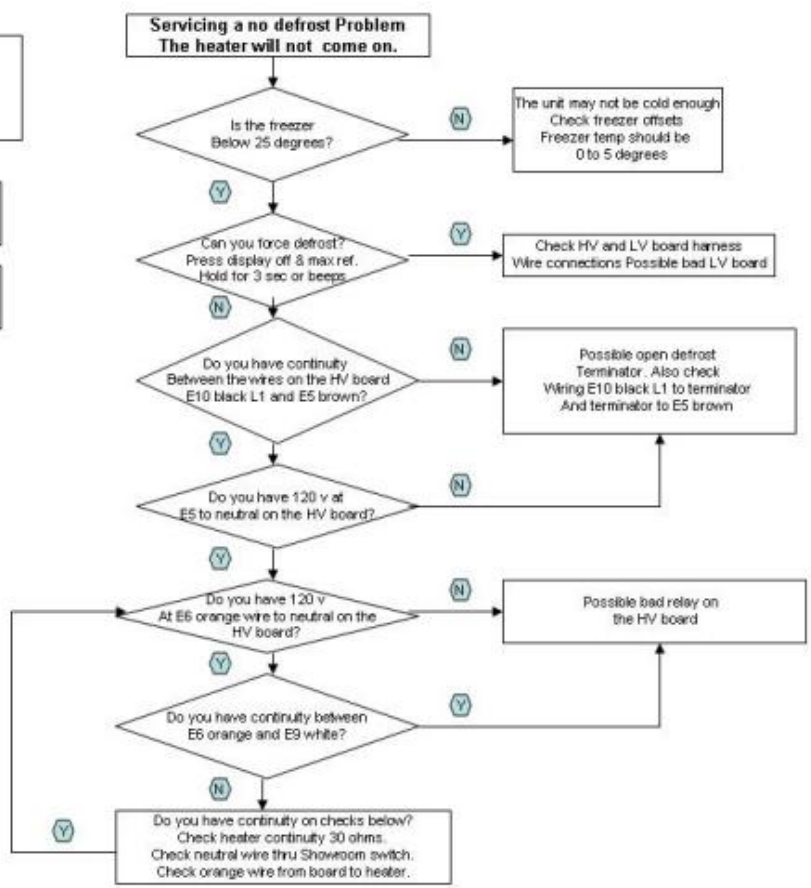
Ref #	Part Number	Qty.	Description
1	G5097714		DOOR ASM BM 36 FF
2	PB970133		GASKET, REF DOOR
3	V12039701		DOOR SHELF ASSY
4	12055401		DOOR SHELF ASSY V12055401
5	V12097404		DAIRY MODULE ASM
6	12493704		TRIM, REF. DOOR - TOP & BOTTOM
7	12493703		TRIM-REF DOOR 36
8	M0210458		SCREW-SM
9	G3297161		DOOR ASM FZ BM 36
10	PB970134		GASKET, FZ DOOR
11	12493702		SCREW, SS SM
12	\12493701		TRIM, FREEZER DOOR - SIDE
13	PE030166		DESIGNER REFRIGERATOR HANDLE
	PE030166PVD		DESIGNER REFRIGERATOR HANDLE PVD
14	M0202321		SCREW, MACHINE
15	B2096937		RC SKIN DES BM LH
	C9096937BK		DOOR SKIN BM DES RC LS
	C9096937BT		DOOR SKIN BM DES RC LS
	C9096937GG		DOOR SKIN BM DES RC LS
	C9096937SG		DOOR SKIN BM DES RC LS
	C9096937WH		DOOR SKIN BM DES RC LS
	B2096938		RC SKIN DES BM RH
	C9096938BK		SUB TO C90914137BK - DOOR SKIN, BM DES RC RS
	C9096938BT		REF. DOOR SKIN (RH) - BT
	C9096938GG		SUB TO C90914137GG - DOOR SKIN, BM DES RC RS
	C9096938SG		DOOR SKIN, BM DES RC RS SUB TO C90914137SG
	C9096938WH		REF. DOOR SKIN (RH) - WH
16	PE030166		DESIGNER REFRIGERATOR HANDLE
	PE030166PVD		DESIGNER REFRIGERATOR HANDLE PVD
17	M0204303		SCREW-MACH
18	B2096936		FC SKIN DES BM
	C9096936BK		DOOR SKIN, BM DES FC
	C9096936BT		DOOR SKIN, BM DES FC
	C9096936GG		DOOR SKIN, BM DES FC
	C9096936SG		DOOR SKIN, BM DES FC
	C9096936WH		DOOR SKIN, BM DES FC
NI	10921220		SUB TO PM910391 - BLOCK-EPS REF DR
NI	10921223		BLOCK, EPS
NI	K2096535		HANDLE BRACKET
NI	K2097526		BRACKET - HANDLE SUPPORT
NI	K2097525		BRACKET - HANDLE SUPPORT BM PRO
NI	PD940086		SPACER DOOR SKIN-HINGE SIDE (36` BM
NI	M0210458		SCREW-SM



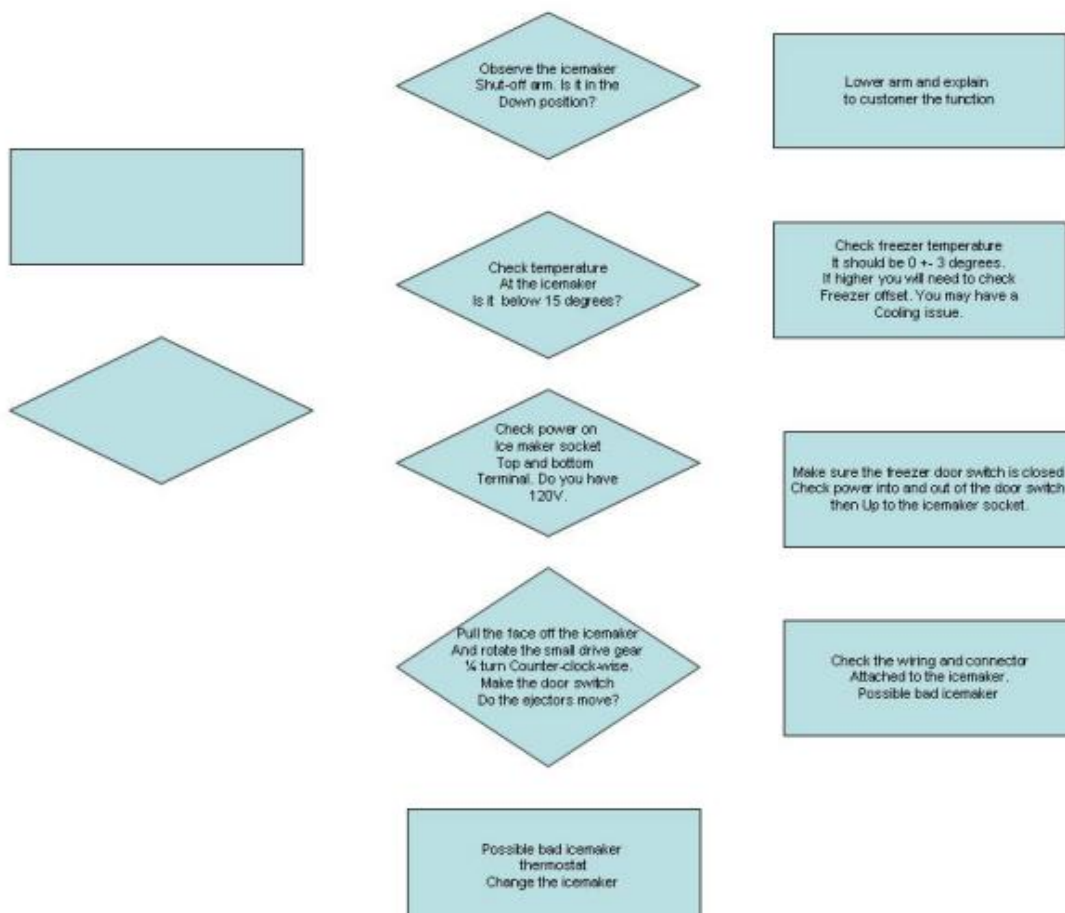
# Refrigeration

You must have a voltmeter that has ohm readings.

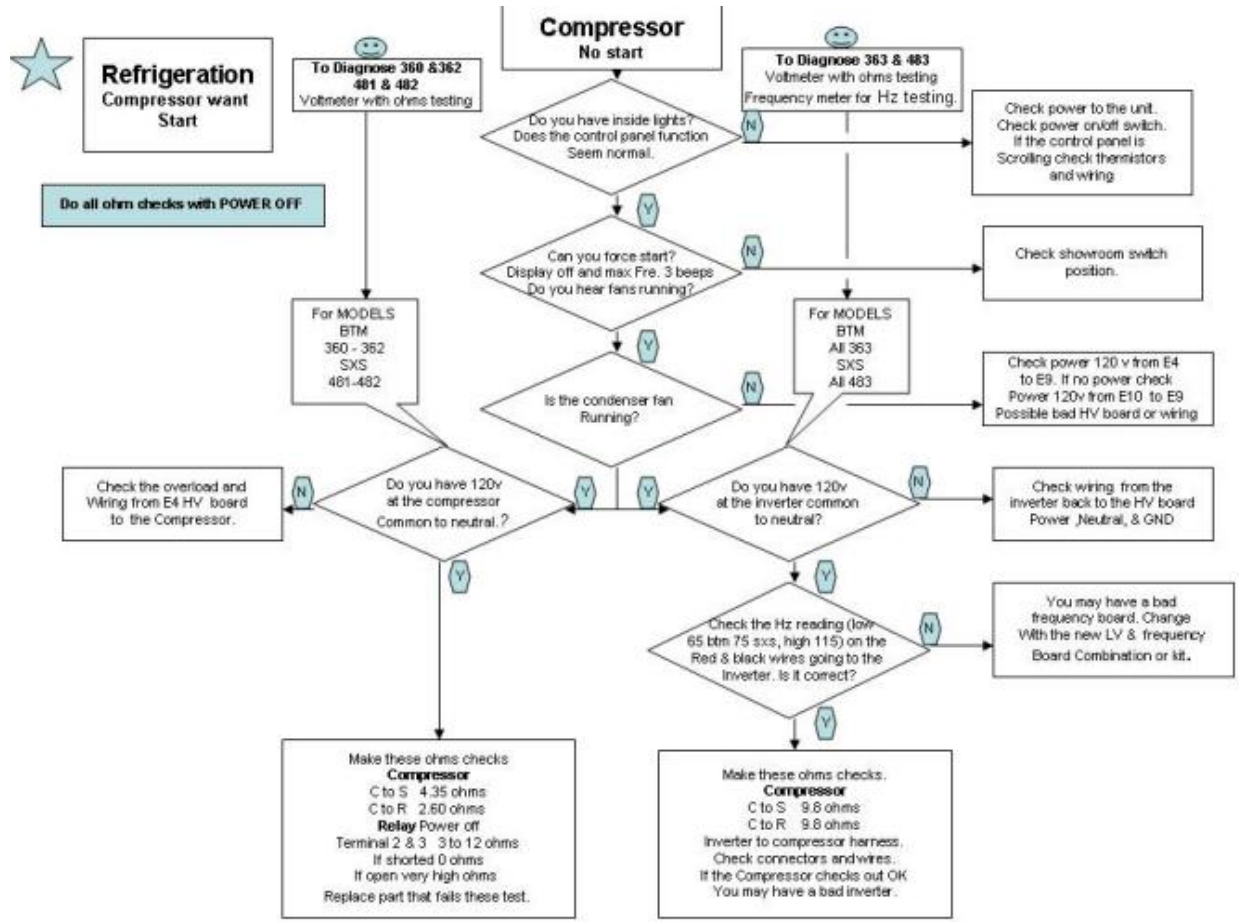
Do continuity checks with **power off**



Ref #	Part Number	Qty.	Description
-------	-------------	------	-------------



Ref #	Part Number	Qty.	Description
-------	-------------	------	-------------





Ref #	Part Number	Qty.	Description
-------	-------------	------	-------------

---