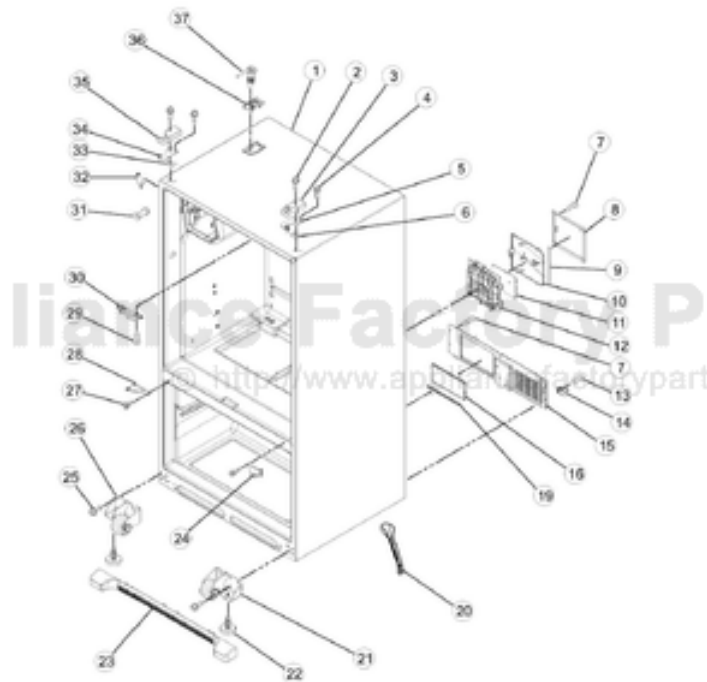


This Owner's Manual is provided and hosted by [Appliance Factory Parts](#).



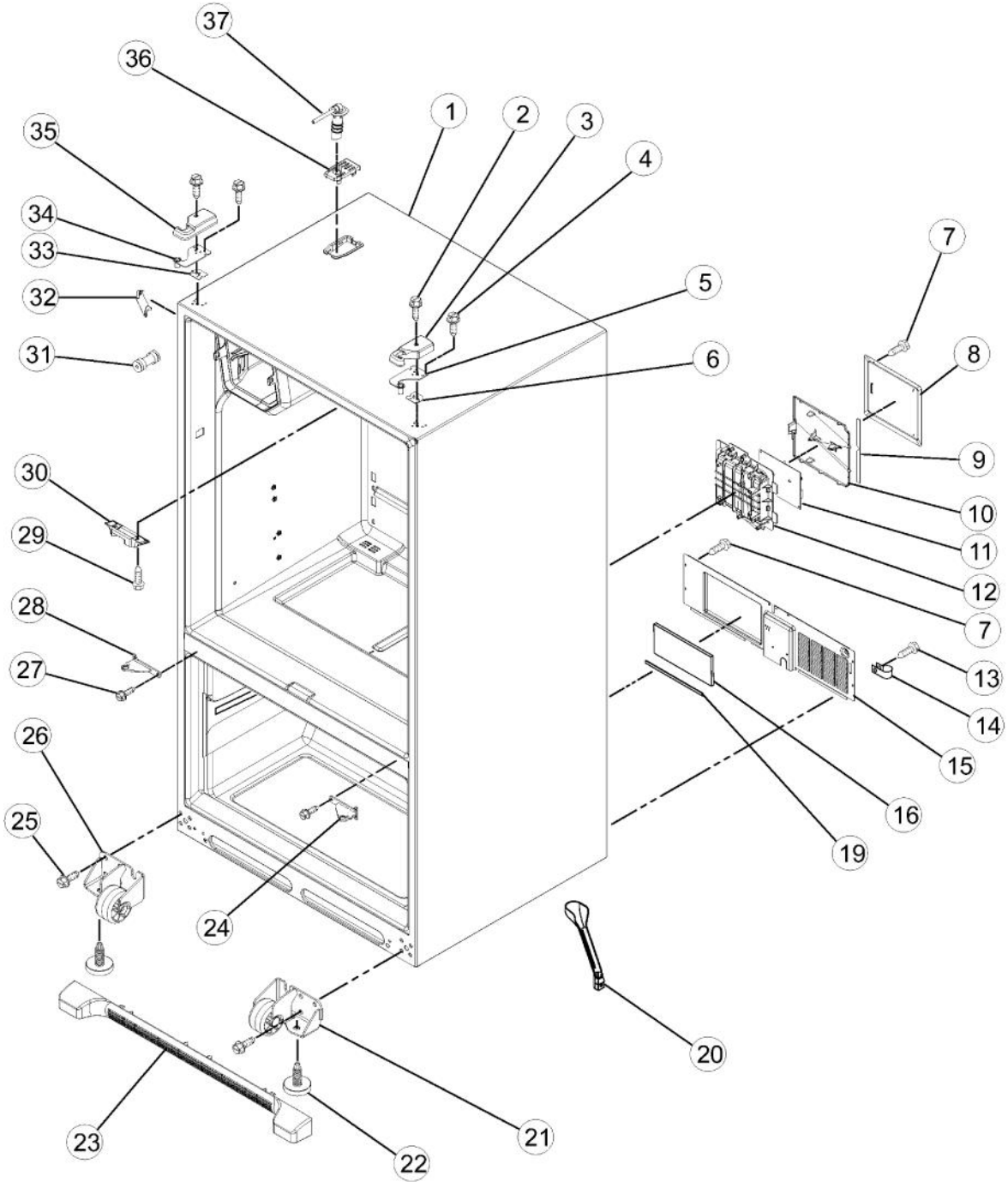
VIKING DDFF136DSS2 Owner's Manual

[Shop genuine replacement parts for VIKING
DDFF136DSS2](#)

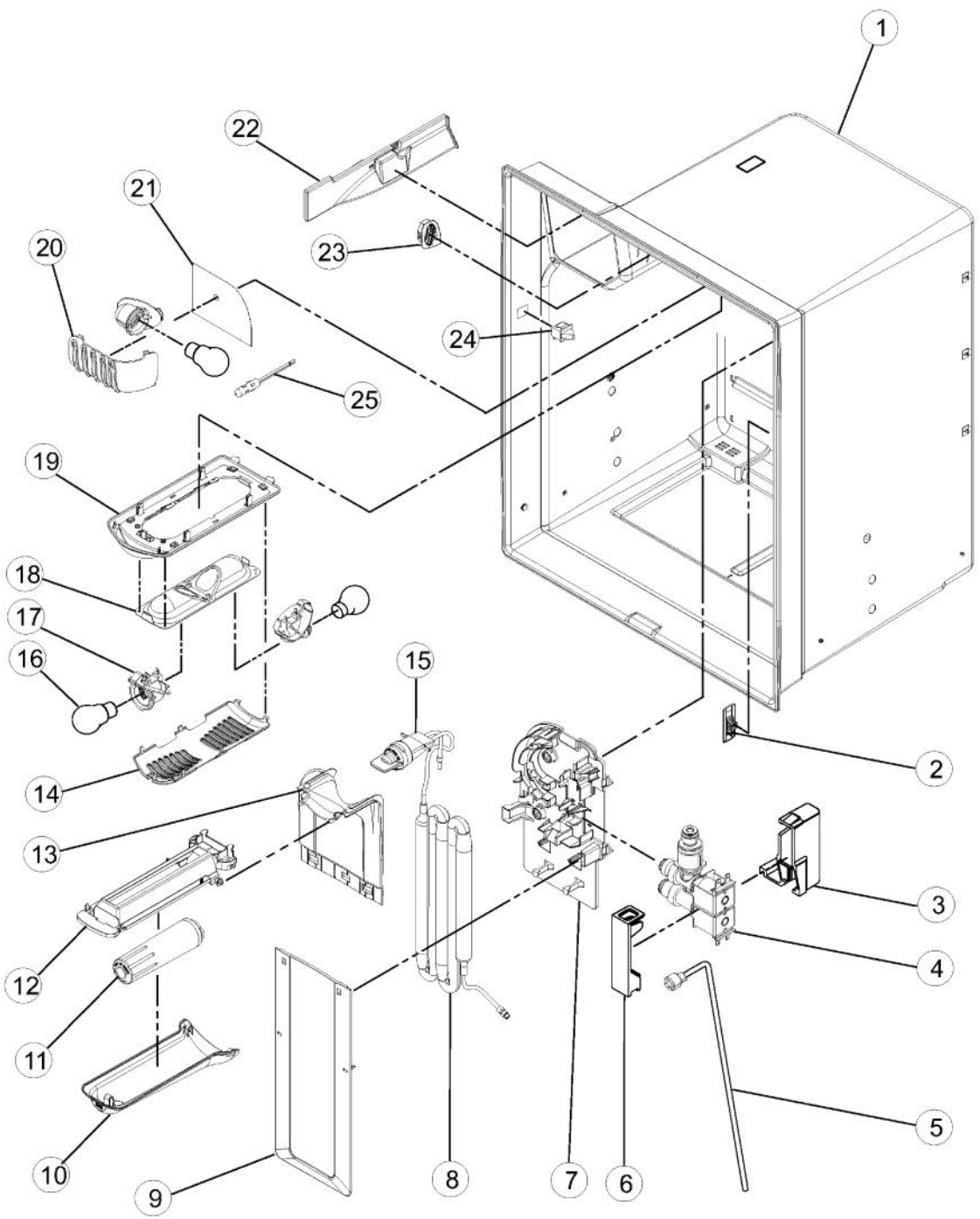


[Find Your VIKING Refrigerator Parts - Select From 341 Models](#)

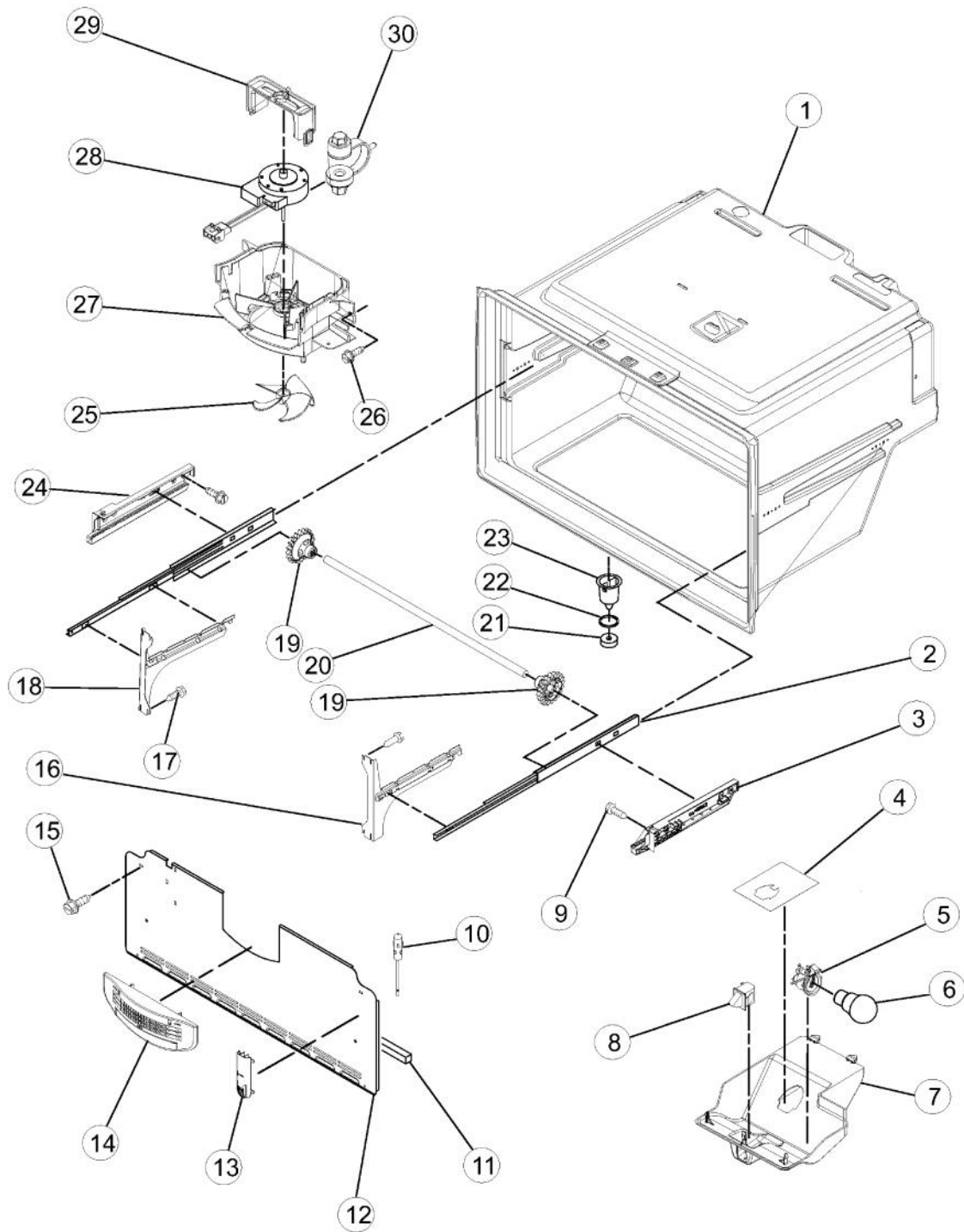
----- Manual continues below -----



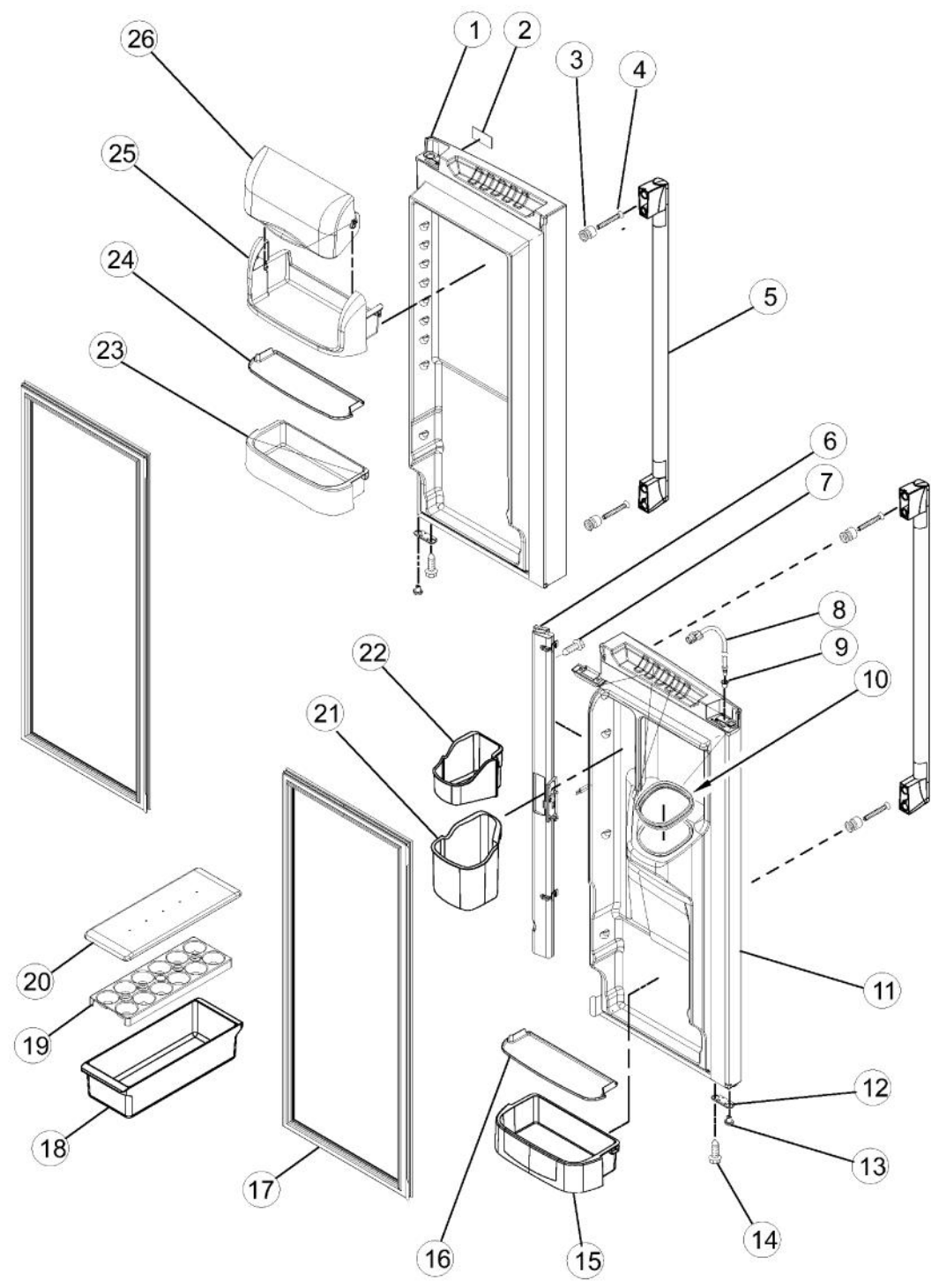
Ref #	Part Number	Qty.	Description
1	NON SERVICEABLE	1	CABINET
2	021734-000	1	SCREW
3	022054-000	1	COVER, RIGHT HINGE, BLACK
4	021733-000	1	SCREW
5	021937-000	1	HINGE, TOP RIGHT
6	021939-000	1	SHIM, TOP HINGE, RIGHT
7	021727-000	1	SCREW
8	021707-000	1	COVER, CONTROL BOX
9	021706-000	1	GASKET, HV CONTROL
10	021940-000	1	LID, HV CONTROL
11	022641-000	1	BOARD, HV CONTROL
12	021942-000	1	BOX, HV CONTROL
13	021714-000	3	SCREW
14	PS400182	1	CLAMP, TUBE
15	021943-000	1	COVER, MC BACK
16	021697-000	1	FIBER, ACOUSTIC
19	021790-000	1	GASKET, MC BACK
20	021822-000	1	TUBE, DRAIN
21	021847-000	1	ROLLER ASSY., FRONT RIGHT
22	011488-000	1	BRAKE, FOOT
23	PS400103	1	TOE GRILLE (BLACK)
24	022055-000	1	HINGE, CENTER, RIGHT, BLACK
25	021728-000	8	SCREW
26	021848-000	1	ROLLER ASSY., FRONT LEFT
27	028914-000	1	SCREW
28	022056-000	1	HINGE, CENTER, LEFT, BLACK
29	021946-000	1	SCREW
30	021679-000	1	BLOCK, PIVOT
31	022642-000	1	CONNECTOR-WATER
32	022057-000	2	COVER, CORNER, BLACK
33	021938-000	1	SHIM, TOP HINGE, LEFT
34	021947-000	1	HINGE, TOP LEFT
35	022058-000	1	COVER, LEFT HINGE, BLACK
36	022059-000	1	COVER, FILL TUBE, BLACK
37	021970-000	1	TUBE W/WATERLINE, FILL-IM



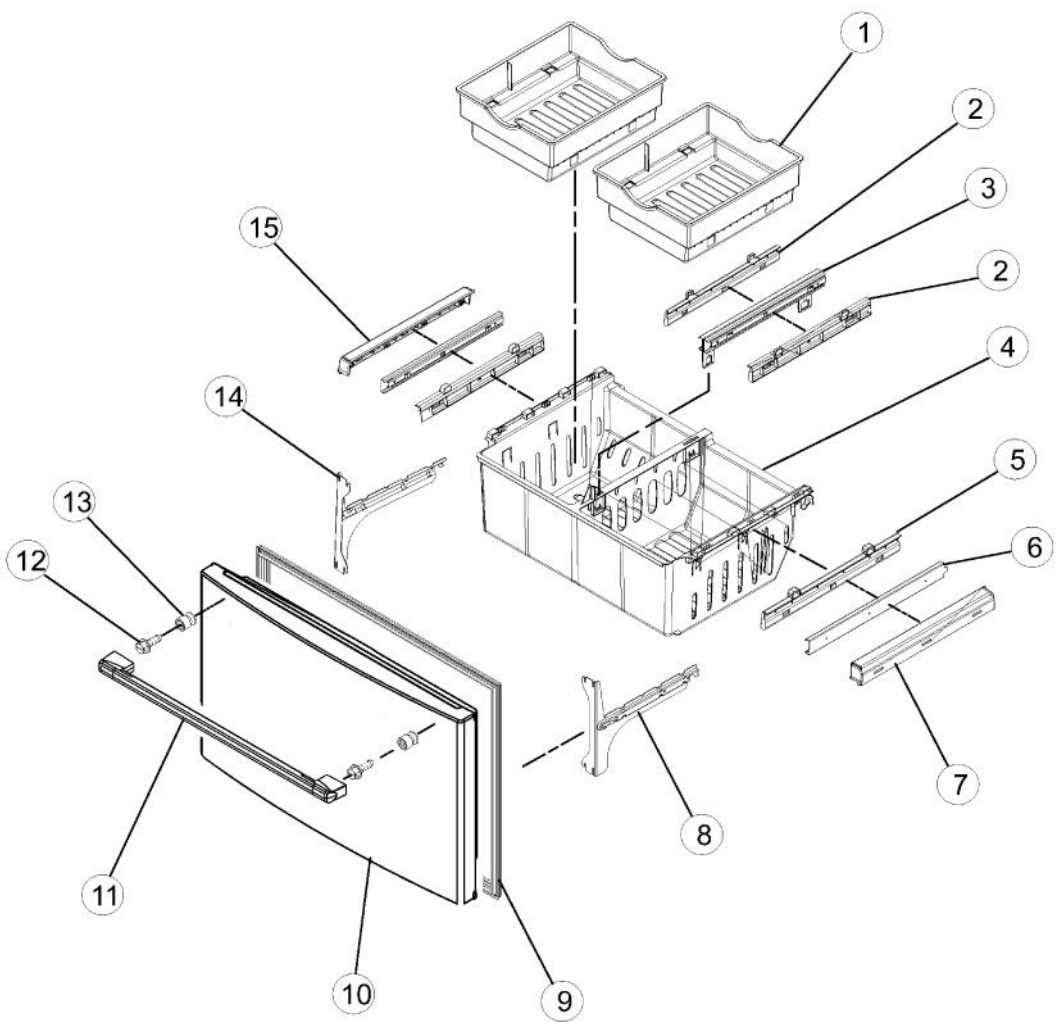
Ref #	Part Number	Qty.	Description
1	NON SERVICEABLE	1	CABINET
2	021966-000	1	COVER, CHILLER VENT
3	021968-000	1	ENCLOSURE, WATER VALVE CONNECTOR
4	022643-000	1	VALVE, WATER INLET
5	026693-000	1	WATERLINE, CABINET
6	021969-000	1	LID, ENCLOSURE
7	021961-000	1	BRACKET, WATER TANK AND VALVE
8	022644-000	1	WATER TANK AND HEAD ASSY
9	021959-000	1	COVER, WATER TANK (LOWER)
10	021958-000	1	LID, WATER FILTER
11	SALES ITEM	1	WATER FILTER
12	021960-000	1	BRACKET, FILTER BASE
13	021957-000	1	COVER, WATER TANK (UPPER)
14	021954-000	1	COVER, LIGHT
15	021963-000	1	PLUG, BYPASS
16	021955-000	2	BULB, LIGHT
17	021956-000	2	SOCKET, LIGHT
18	021781-000	1	LIGHT HOUSING
19	021950-000	1	MODULE, LIGHT
20	021952-000	1	COVER, LIGHT
21	021951-000	1	FOIL, LIGHT
22	021965-000	1	COVER, ICE BOX HARNESS
23	021953-000	1	GRILLE, AIR
24	PS400341	2	SWITCH, LIGHT
25	PS400063	1	THERMISTOR



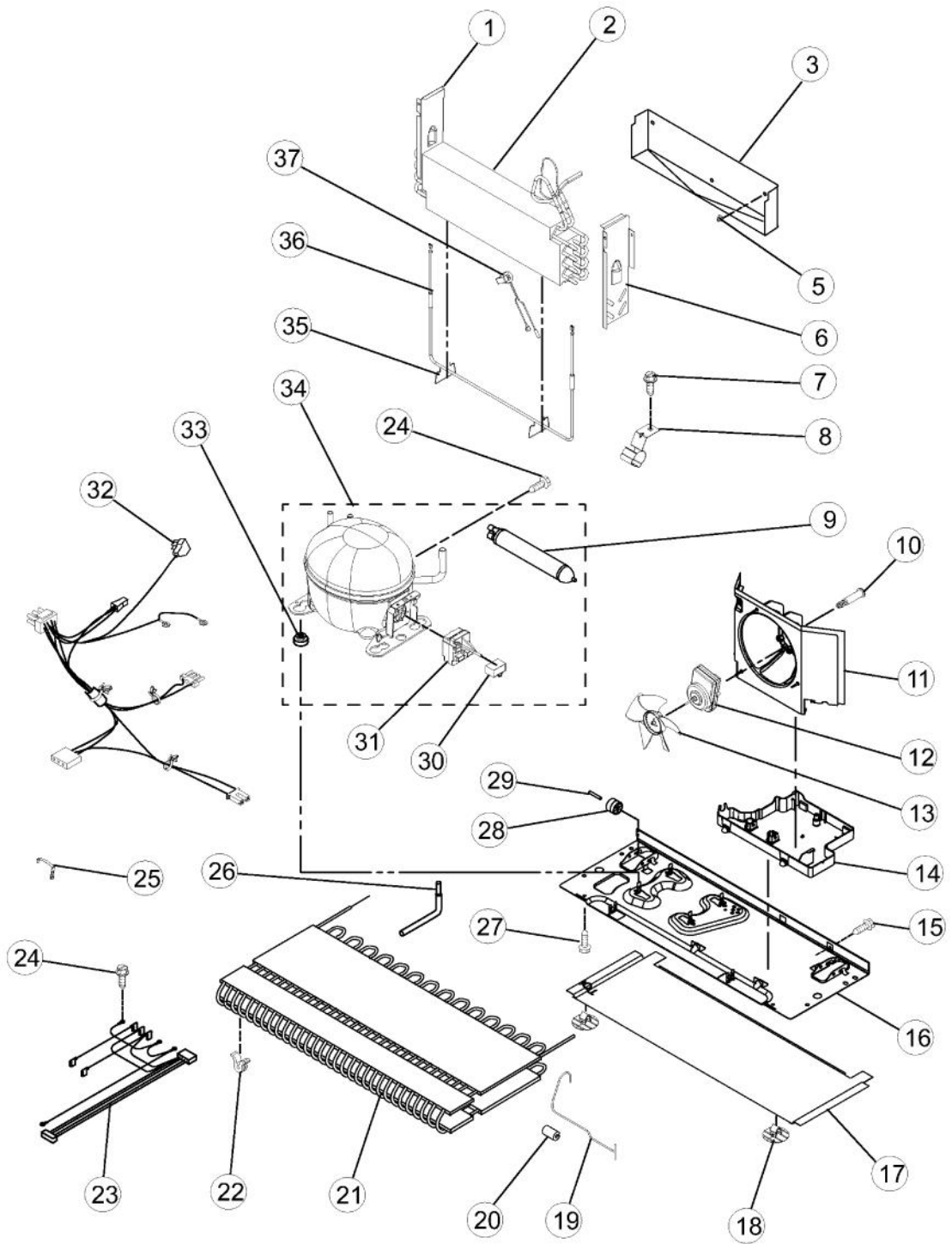
Ref #	Part Number	Qty.	Description
1	NON SERVICEABLE	1	CABINET
2	021737-000	2	SLIDE, DRAWER
3	021979-000	1	ADAPTER, RIGHT
4	021866-000	1	HANDLE, DOOR (SS)
5	021765-000	1	SOCKET, LIGHT
6	021971-000	1	SUMP, DISPENSER (BLACK)
7	022646-000	1	MODULE, FREEZER LIGHT
8	021976-000	1	SWITCH, ROCKER
9	021710-000	6	SCREW
10	PS400063	1	THERMISTOR
11	021977-000	1	GASKET, FOAM
12	021973-000	1	COVER, EVAPORATOR
13	021696-000	1	COVER, THERMISTOR
14	021980-000	1	GRILLE, FZ AIR
15	021714-000	4	SCREW
16	011501-000	1	BRACKET, DOOR, RIGHT
17	021724-000	1	SCREW
18	011500-000	1	BRACKET, DOOR, LEFT
19	011497-000	1	GEAR, LT/RT
20	021917-000	1	SHAFT, RACK
21	PS400090	1	GASKET, DRAIN TUBE
22	PS400091	1	SEAL, O-RING
23	PS400092	1	FUNNEL, DRAIN
24	021978-000	1	ADAPTER, LEFT
25	021982-000	1	BLADE, FAN (EVAPORATOR)
26	021711-000	1	SCREW
27	021981-000	1	SHROUD, EVAP FAN
28	021984-000	1	MOTOR, EVAPORATOR
29	021975-000	1	CLIP, FAN MOTOR
30	021983-000	2	GROMMET
NI	026694-000	1	HARNESS - FZ LIGHT



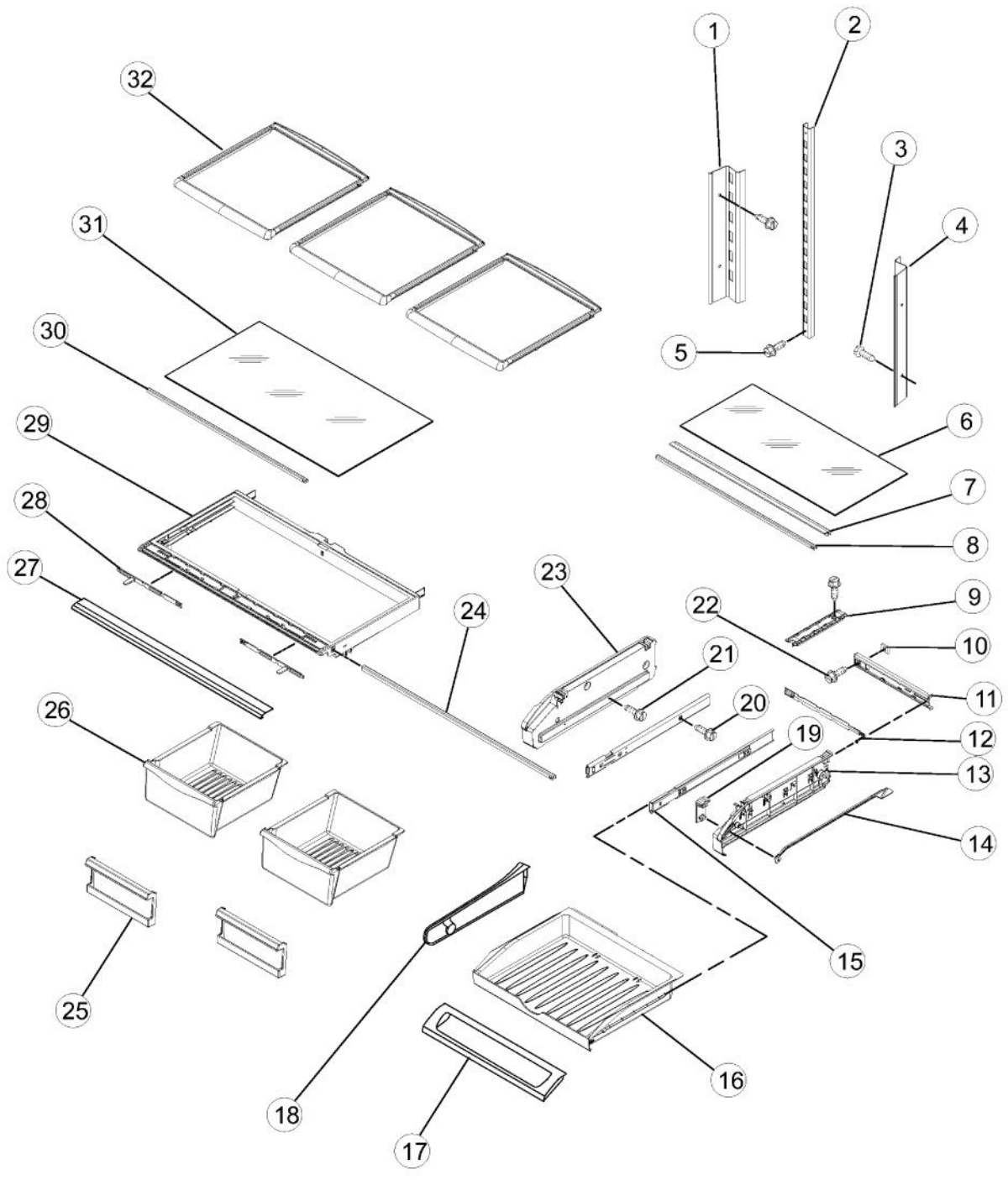
Ref #	Part Number	Qty.	Description
1	026695-000	1	DOOR, RIGHT, STAINLESS
2	022061-000	1	NAMEPLATE
3	021567-000	4	STUD, HANDLE
4	021918-000	4	SCREW
5	022062-000	2	HANDLE, DOOR (STAINLESS)
6	022063-000	1	MULLION, DOOR, BLACK
7	021708-000	1	SCREW
8	022649-000	1	WATERLINE, DOOR
9	021996-000	1	CLIP, BUSHING WIRE
10	021991-000	1	SEAL, ICE CUBE
11	026696-000	1	DOOR, LEFT, STAINLESS
12	022065-000	2	STOP, DOOR, BLACK
13	022066-000	2	CLOSURE, DOOR, BLACK
14	021724-000	1	SCREW
15	022651-000	2	BIN, SHELF (GAL-W/GRIPPER)
16	026697-000	1	GRIPPER, GALLON BUCKET
17	022067-000	2	GASKET, DOOR, BLACK
18	021746-000	1	BIN, UTILITY
19	021748-000	1	TRAY, EGG
20	021747-000	1	LID, UTILITY
21	021995-000	1	BUCKET, DISPENSER (LOWER)
22	021993-000	1	BUCKET, DISPENSER (UPPER)
23	021987-000	3	BIN, SHELF (MED-W/GRIPPER)
24	021763-000	1	GRIPPER, MEDIUM BUCKET
25	021758-000	1	TRAY, DAIRY
26	021780-000	1	DOOR, DAIRY



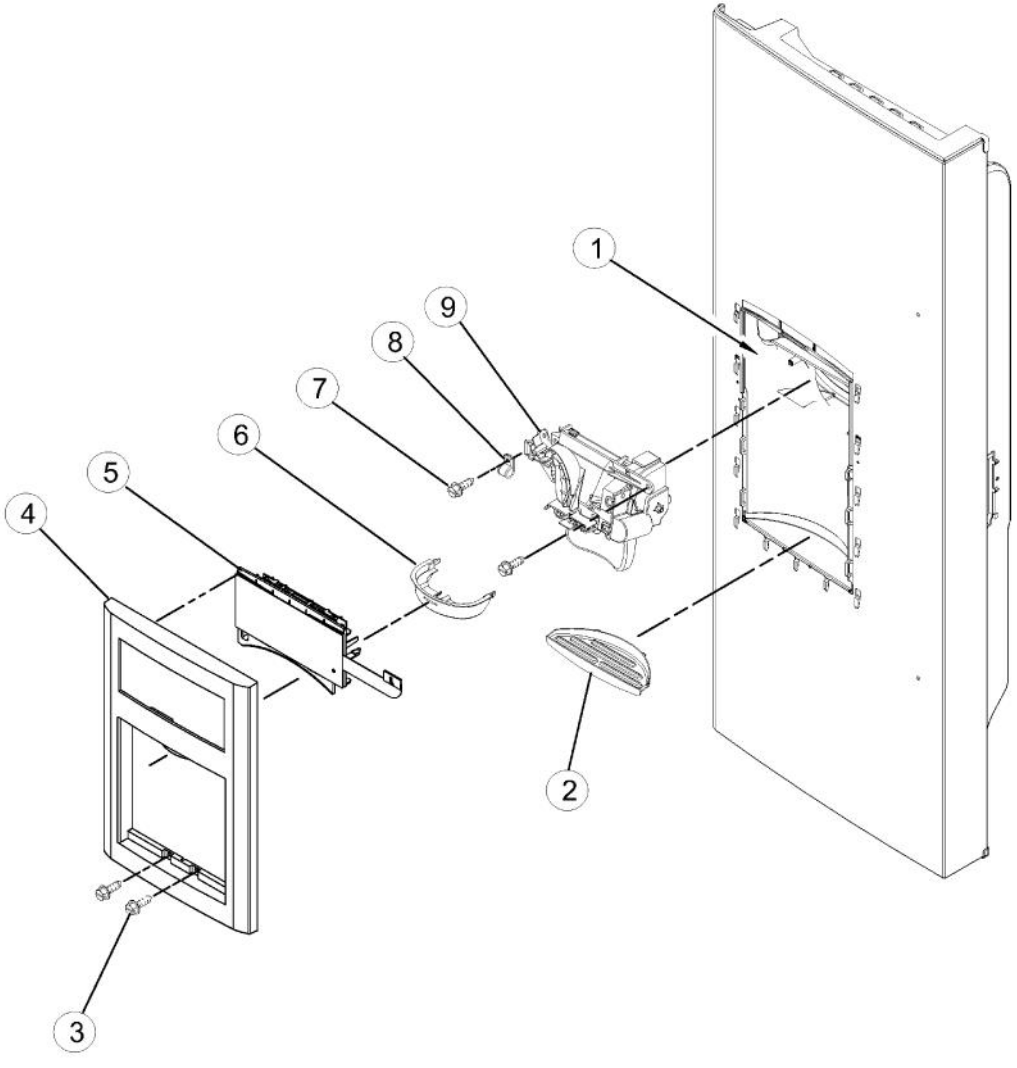
Ref #	Part Number	Qty.	Description
1	022003-000	1	BIN, UPPER
2	022004-000	1	ADAPTER, BIN (INNER)
3	022005-000	2	BRACKET/GLIDE ASSY
4	022001-000	1	BIN, LOWER
5	022002-000	1	ADAPTER, BIN (OUTER)
6	022006-000	2	GLIDE UPPER
7	022008-000	1	RETAINER, GLIDE (RIGHT)
8	011501-000	1	BRACKET, DOOR, RIGHT
9	022000-000	1	GASKET, FREEZER DOOR (APOLLO GREY)
10	022652-000	1	DOOR, FREEZER (SS)
11	022068-000	1	HANDLE, DOOR (SS)
12	021918-000	2	SCREW
13	021567-000	2	STUD, HANDLE
14	011500-000	1	BRACKET, DOOR, LEFT
15	022007-000	1	RETAINER, GLIDE (LEFT)



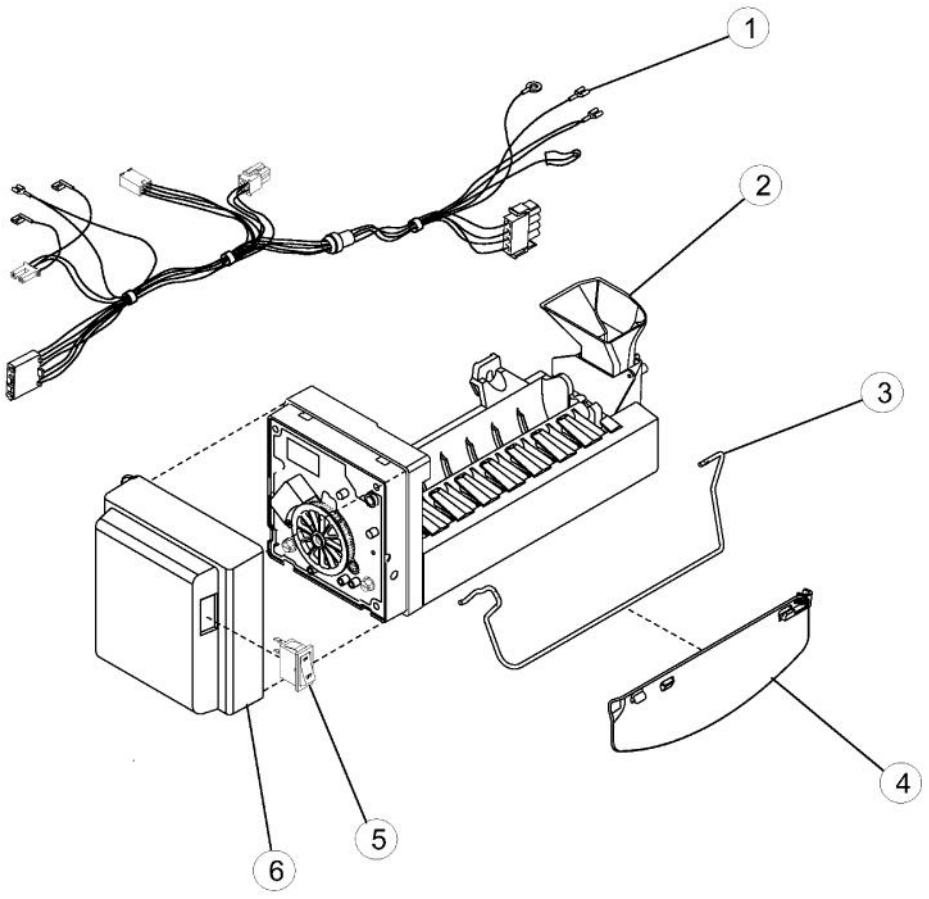
Ref #	Part Number	Qty.	Description
1	022014-000	1	DAM, LEFT SIDE
2	022013-000	1	EVAPORATOR KIT
3	021885-000	1	TRAY, DRIP
5	PS400124	1	CLIP, EVAPORATOR
6	022015-000	1	DAM, RIGHT SIDE
7	021726-000	1	SCREW
8	022725-000	1	CLIP, DRIER
9	022961-000	1	DRIER
10	021824-000	1	SCREW, SHOULDER
11	021810-000	1	SHROUD
12	021893-000	1	MOTOR, FAN
13	021699-000	1	BLADE, FAN
14	021853-000	1	PAN, DRAIN
15	021714-000	1	SCREW
16	021821-000	1	BASEPAN
17	021817-000	1	EXTENSION - BASEPAN
18	021818-000	1	FASTENER - BASEPAN
19	021827-000	1	TUBE, DISCHARGE
20	011560-000	1	GROMMET, CONDENSER
21	021798-000	1	CONDENSER
22	026698-000	2	GROMMET, CONDENSER
23	022010-000	1	HARNES, EVAP. HEATER
24	021731-000	2	SCREW, GROUND
25	021815-000	1	STRAP - BALE
26	022964-000	1	TUBE, PROCESS
27	021904-000	4	SCREW
28	021670-000	2	ROLLER ASSY., REAR
29	021671-000	2	AXLE - ROLLER
30	021661-000	1	CAPACITOR
31	021814-000	1	START DEVICE
32	022016-000	1	HARNES, UNIT W/ POWER CORD
33	021750-000	4	GROMMET
34	021797-000	1	COMPRESSOR KIT
35	011548-000	1	CLIP, HEATER
36	022011-000	1	HEATER, DEFROST
37	022012-000	1	THERMOSTAT



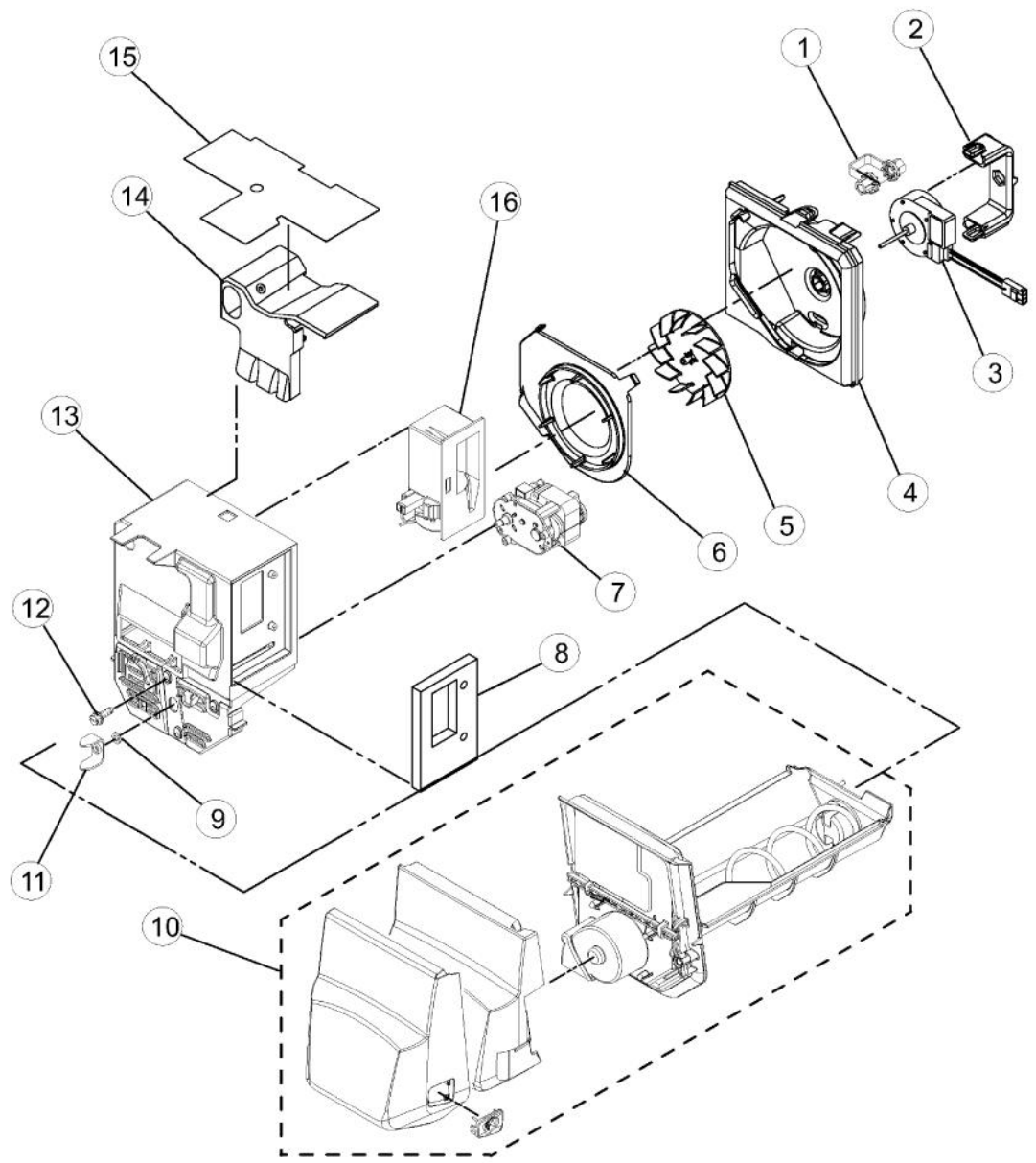
Ref #	Part Number	Qty.	Description
1	022069-000	1	LADDER, LH
2	022019-000	1	LADDER, CENTER
3	021719-000	6	SCREW
4	022020-000	1	LADDER, LH
5	021723-000	1	SCREW
6	021664-000	1	GLASS, PANTRY
7	021773-000	2	SUPPORT, PANTRY
8	021756-000	2	BRACE, PANTRY
9	021672-000	1	TRACK, PANTRY
10	021678-000	1	GASKET, PANTRY
11	021677-000	1	HOUSING, CONTROL
12	021676-000	4	SLIDE TEMPERATURE
13	PS400077	1	END CAP, RH PANTRY
14	021675-000	1	ROD, TEMP CONTROL
15	021912-000	2	GLIDE, DRAWER
16	022021-000	1	DRAWER, PANTRY
17	022022-000	1	DOOR, PANTRY DRAWER
18	021684-000	1	DIVIDER, PANTRY DRAWER
19	021771-000	1	KNOB, TEMP CONTROL
20	021711-000	2	SCREW
21	021717-000	4	SCREW
22	022071-000	1	MODULE?FZ LIGHT
23	PS400076	1	END CAP, LH PANTRY
24	021756-000	1	BRACE, PANTRY
25	021778-000	1	FRONT, CRISPER PAN
26	021761-000	2	CRISPER PAN
27	021832-000	1	TRIM, CRISPER
28	021760-000	1	SLIDE, HUMIDITY CONTROL
29	021762-000	1	FRAME, CRISPER
30	021755-000	1	BRACE, CRISPER
31	021744-000	1	GLASS, CRISPER
32	022017-000	3	SHELF, GLIDE



Ref #	Part Number	Qty.	Description
1	NON SERVICEABLE	1	CABINET
2	021971-000	1	SUMP, DISPENSER (BLACK)
3	021719-000	4	SCREW
4	022009-000	1	FACADE, DISPENSER (BLACK)
4	026699-000	1	FACADE, DISPENSER (BLACK WITH CLAD)
5	022032-000	1	CONTROL ASSY (BLACK)
6	022033-000	1	RING, TARGET
7	021719-000	2	SCREW
8	022034-000	1	CLAMP, TUBE
9	022035-000	1	CHUTE, EXT/YOKE, INCLUDES SWITCH (BLACK)



Ref #	Part Number	Qty.	Description
1	022663-000	1	HARNESS, ICE MAKER
2	022665-000	1	ICEMAKER ASSY
3	022023-000	1	ARM, SHUTOFF
4	022024-000	1	EXTENSION, SHUTOFF ARM
5	022026-000	1	SWITCH, ON-OFF
6	022025-000	1	COVER, ICE MAKER
NI	026700-000	1	COUPLING



Ref #	Part Number	Qty.	Description
1	022036-000	1	GROMMET, FAN MOTOR
2	022037-000	1	CLIP, FAN MOTOR
3	022038-000	1	MOTOR, FAN
4	022039-000	1	SCROLL, BLOWER
5	022040-000	1	WHEEL, BLOWER
6	022041-000	1	INLET, BLOWER
7	022042-000	1	MOTOR, AUGER
8	022043-000	1	GASKET, DAMPER
9	022046-000	1	WASHER
10	022666-000	1	ICE BIN ASSEMBLY (INCLUDES AUGER)
11	022048-000	1	YOKE, ICE DISPENSER
12	021714-000	3	SCREW
13	026701-000	1	DIVIDER, ICE BOX
14	022050-000	1	LINER, DIVIDER
15	022051-000	1	FOIL, ICE BOX
16	010605-000	1	DAMPER, CONTROL