

This Owner's Manual is provided and hosted by [Appliance Factory Parts](#).



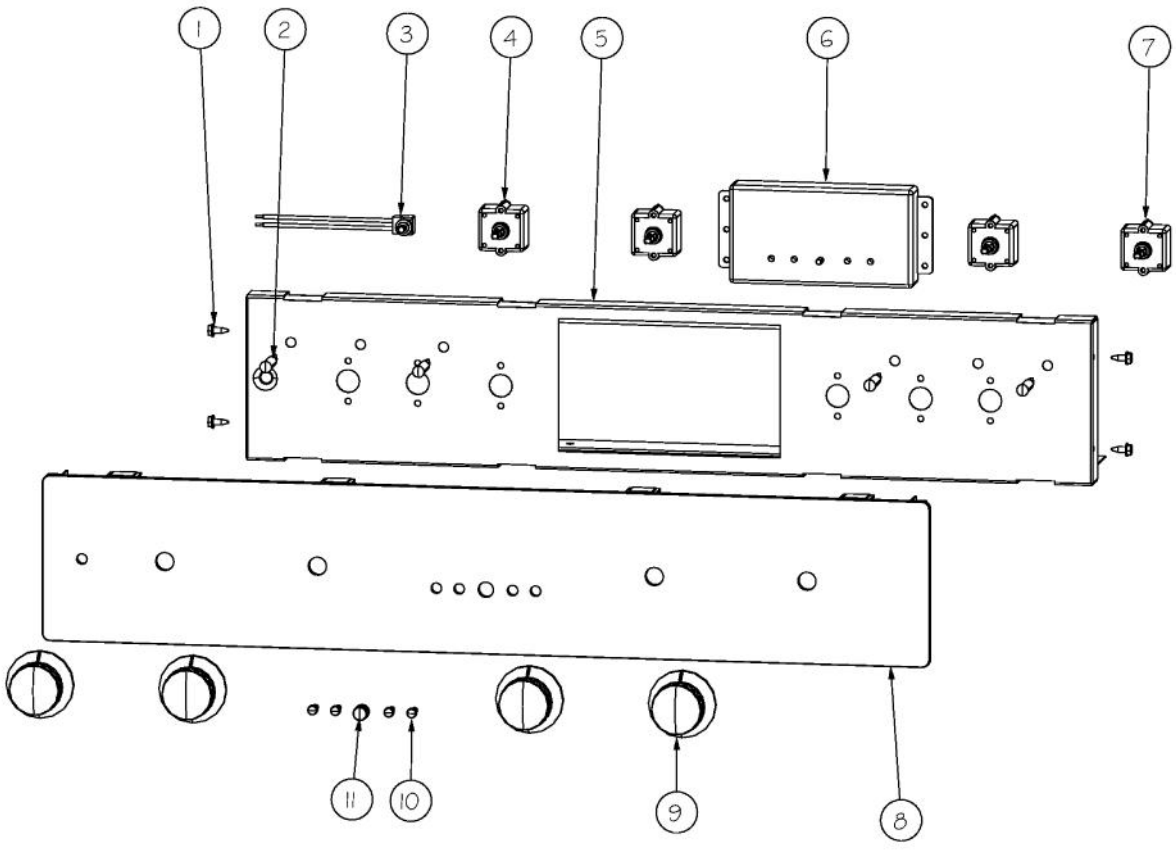
VIKING DDOE305 Owner's Manual

[Shop genuine replacement parts for VIKING DDOE305](#)

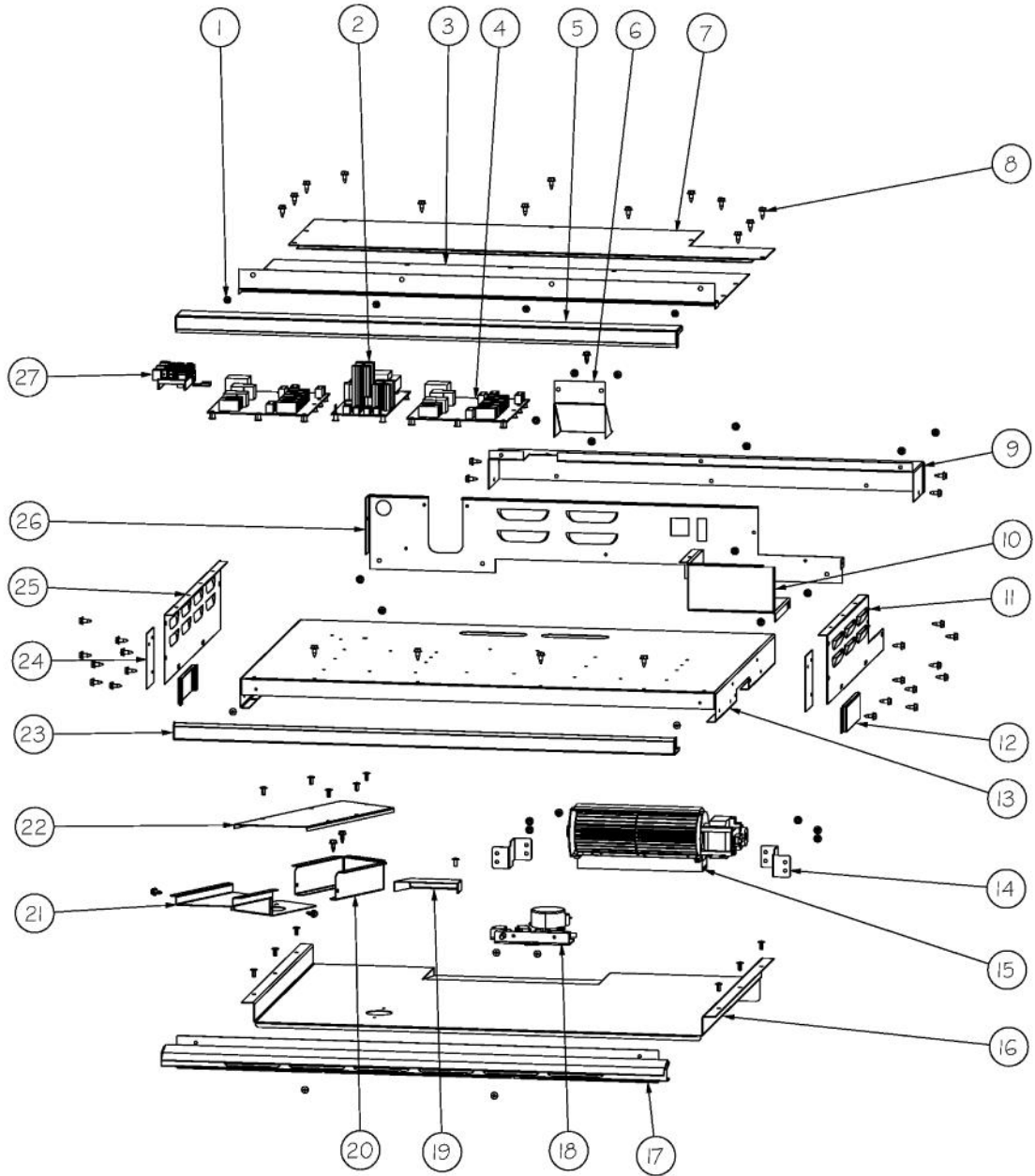


[Find Your VIKING Oven Parts - Select From 98 Models](#)

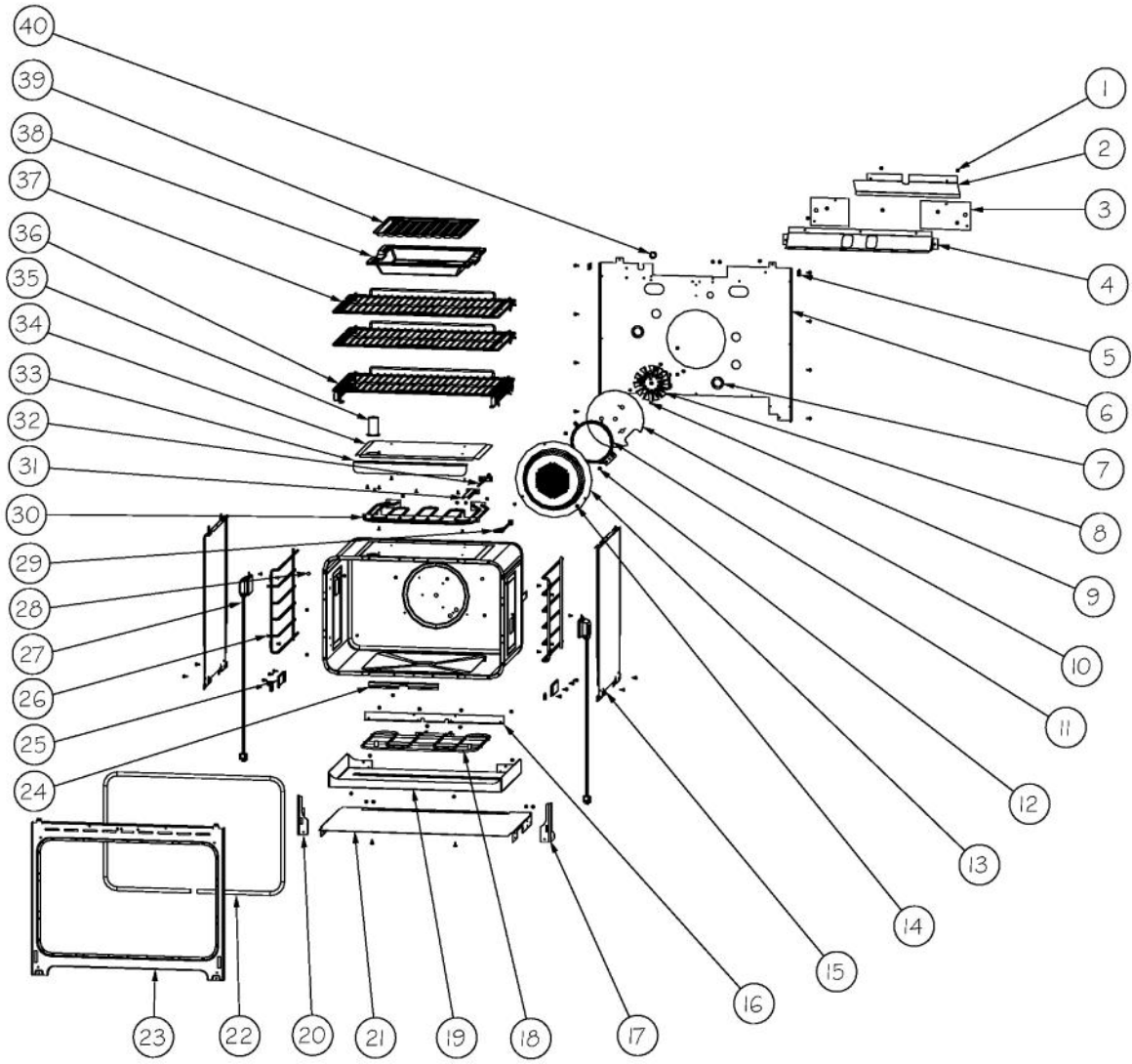
----- Manual continues below -----



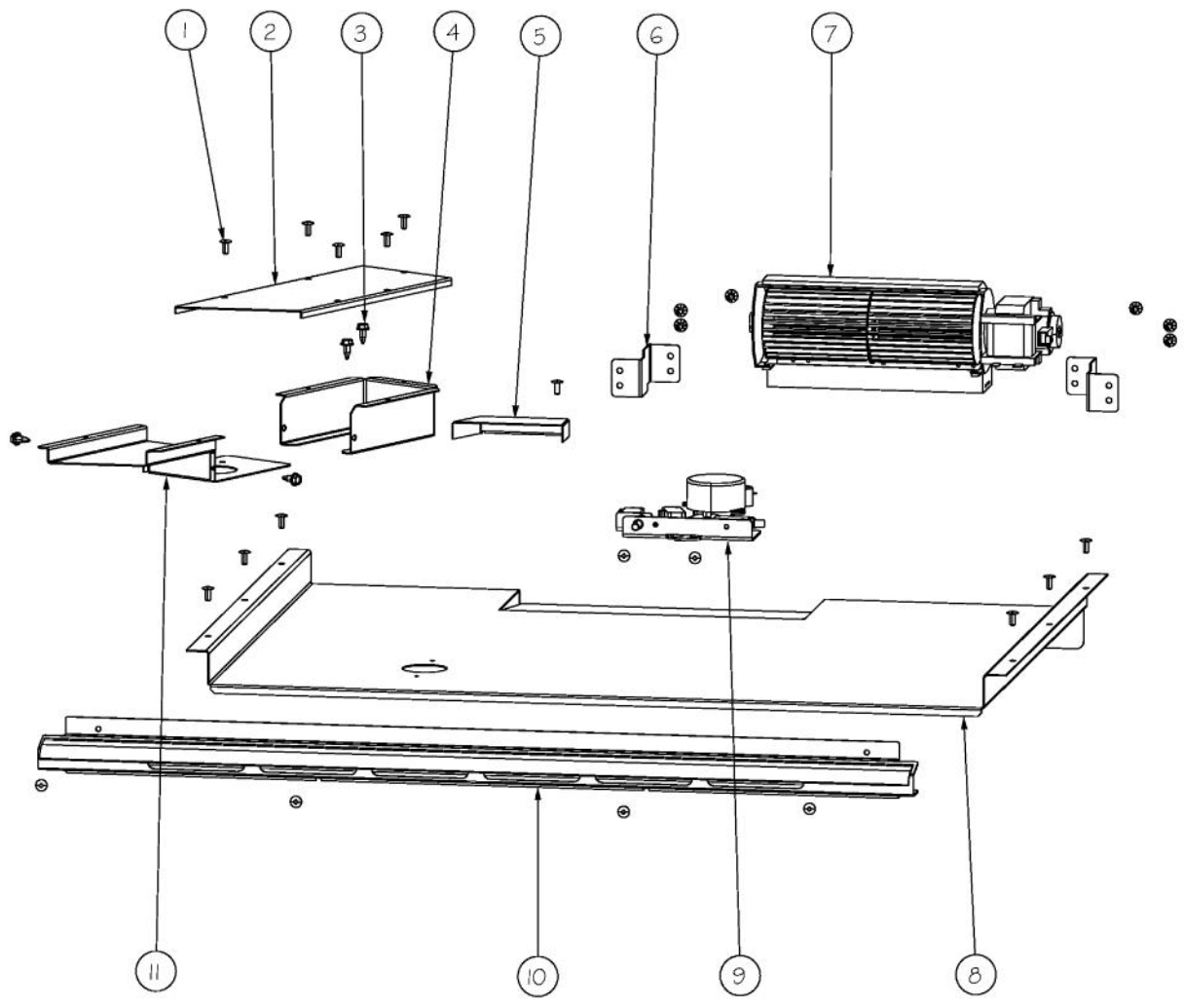
Ref #	Part Number	Qty.	Description
1	003860-000	4	NO.10-18 X .500 FASTNR,SCR,HXWH,STL,ZPLT
2	015043-000	4	INDICATOR, LIGHT, BLUE LED
3	PE050076	1	DESIGNER OVEN LIGHT SWITCH
4	PJ030033	2	SELECTOR (10 POS)
5	019340-000	1	CONTROL MOUNT
6	015195-000	1	CLOCK, TOD2, DESIGNER
7	PJ030035	2	THERMOSTAT
8	014623-000	1	PANEL,CTRL, ASM, DDOE305
9	009675-000	4	KNOB
10	PB010315	4	DES. CLOCK BUTTON
11	PB010222	1	DESIGNER BIT GENERATOR KNOB



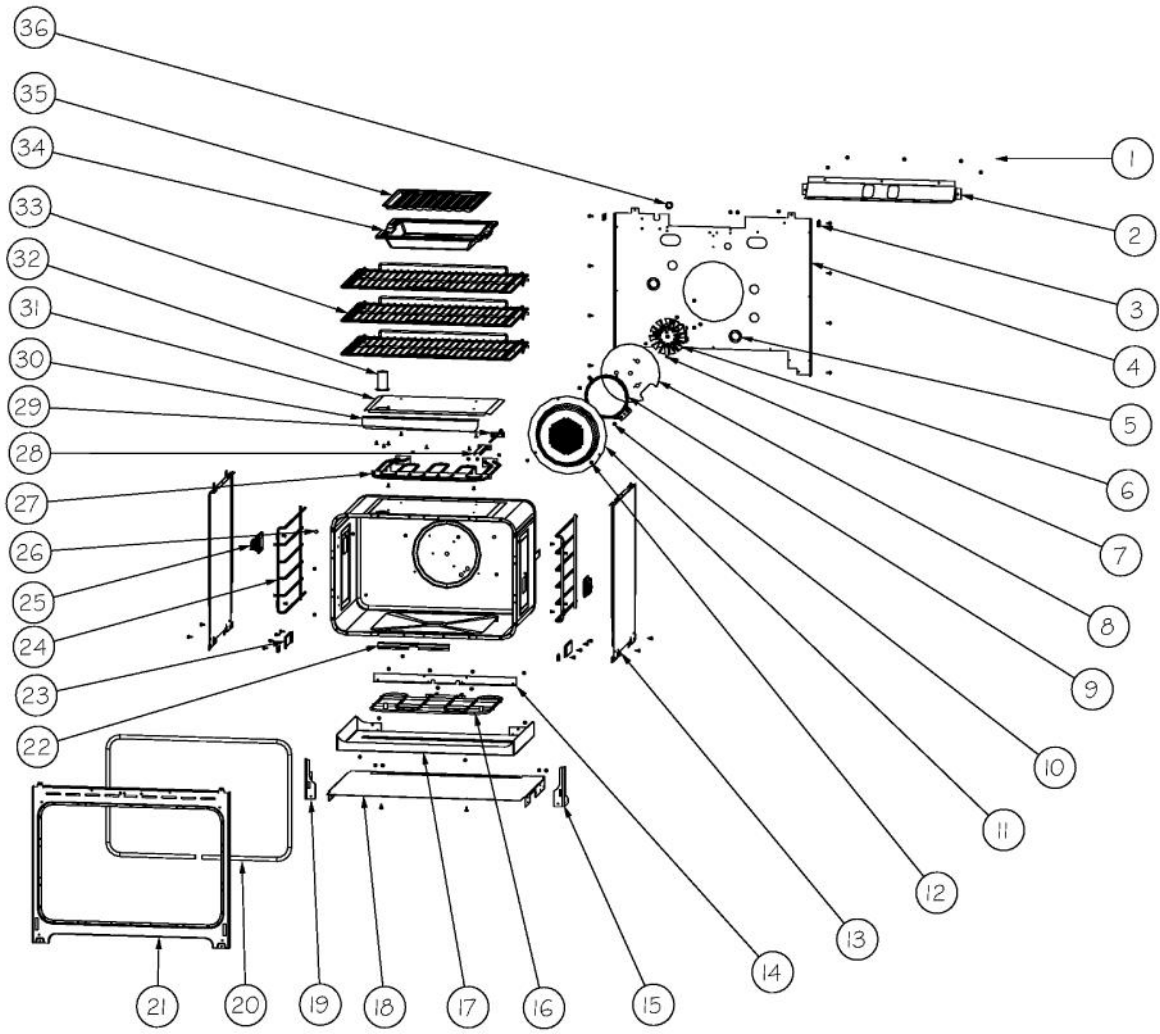
Ref #	Part Number	Qty.	Description
1	008863-000	22	SCREW NO.8 - 18 X 3/8, PHIL, LOW PROFILE TRUSS
2	015201-000	1	LINEAR POWER SUPPLY
3	012541-000	1	PANEL, ACS, FR
4	014000-000	2	EOC4-CONTROL BOARD
5	011667-000	1	TRIM, CTRL, UPPER, SS
6	009004-000	1	COVER, WIRE
7	015776-000	1	PANEL, ACS, TOP, REAR
8	003860-000	62	NO.10-18 X .500 FASTNR,SCR,HXWH,STL,ZPLT
9	009003-000	1	COVER, BACK, TOP
10	015774-000	1	COVER PLATE
11	015777-000	1	TOP SIDE, RH
12	013740-000	2	COVER, SIDE, DESIGNER
13	015797-000	1	ELECTRONICS MOUNT
14	008899-000	2	COOLING FAN BRACKET
15	PE050250	1	PREMIUM BLOWER WITH HES
16	008901-000	1	RETAINER INSL, TOP
17	009012-000	1	UPPER VENT ASM
18	008890-000	1	DOOR LATCH
19	008914-000	1	TRIM, VENT, SEAL
20	008912-000	1	SMOKE ELIMIN BACK
21	008902-000	1	SMOKE ELIM VENT BOTTOM
22	008913-000	1	SMOKE ELIM VENT, TOP
23	014542-000	1	TRIM, CTRL, LOWER, SS
24	012542-000	2	FILLER PLATE
25	012540-000	1	TOP SIDE, LH
26	015775-000	1	PANEL, ENCL, BACK, W/LOUVERS
27	PE070147	1	TERMINAL BLOCK



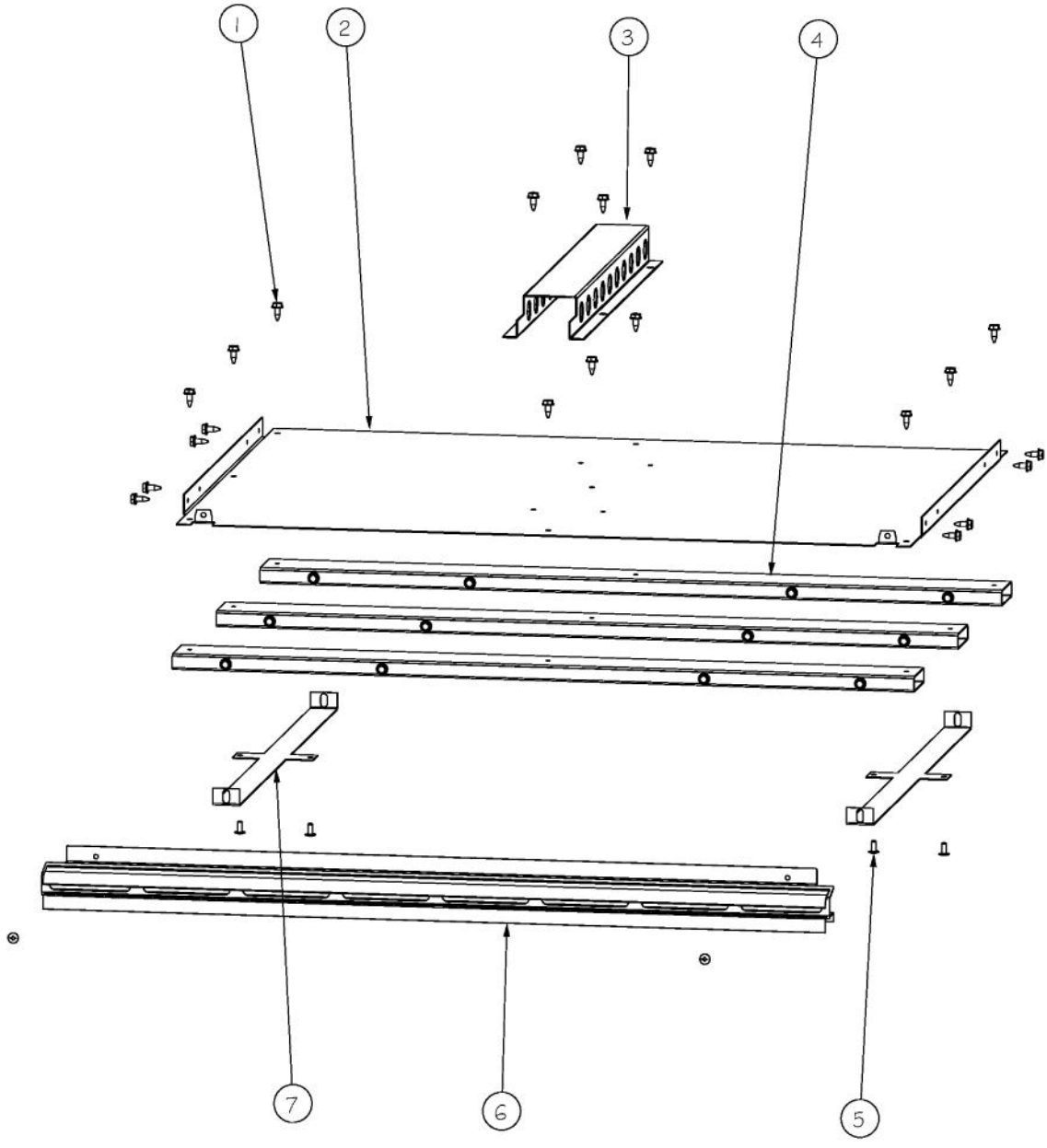
Ref #	Part Number	Qty.	Description
1	003860-000	48	NO.10-18 X .500 FASTNR,SCR,HXWH,STL,ZPLT
2	009010-000	1	AIR DEFLECTOR
3	009018-000	1	COVER, REAR
4	008898-000	1	FAN DEFLECTOR
5	013070-000	4	SIDE SPACER
6	008888-000	1	BACK INS RETAINER
7	PB070320	2	SILICONE EXTRUSION
8	008874-000	1	CONV FAN MOTOR
9	008877-000	3	CONV MOTOR MOUNT SCREW
10	008873-000	1	CONV. MOTOR COVER
11	008862-000	1	CONV ELEMENT
12	PD020063	2	SCREW-NO.8(A) X 3/8PH WFR HD/BK OXID
13	013580-000	1	CONV COVER W/PORC
14	008863-000	30	SCREW NO.8 - 18 X 3/8, PHIL, LOW PROFILE TRUSS
15	008896-000	2	COVER, INSL, SIDE
16	008855-000	1	COVER BAKE TRAY
17	008895-000	1	RECEIVER, HINGE RIGHT
18	008854-000	1	BAKE ELEMENT
19	008857-000	1	COVER BAKE ELEMENT
20	008894-000	1	RECEIVER, HINGE LEFT
21	008889-000	1	RETAINER, BOT, INSULATION
22	009007-000	1	DOOR GASKET
23	013505-000	1	FRONT FRAME W/PORC
24	013626-000	1	PAINTED GASKET CLIP
25	013740-000	2	COVER, SIDE, DESIGNER
26	008866-000	1	RACK SUPPORT W/ PORC
27	008865-000	2	120V/40W HALOGEN LIGHT
28	008864-000	2	SILICONE BUMPER
29	008880-000	1	MEAT PROBE RECEPTACLE ASM
30	008871-000	1	BROIL ELEMENT
31	008872-000	1	RTD COVER
32	008870-000	1	RTD
33	013753-000	1	DEFLECTOR, BRL, ASM, DESIGNER
34	008867-000	1	BROIL REFLECTOR
35	008868-000	1	SMOKE ELIMINATOR
36	015214-000	1	GLIDE RACK ASM
37	013646-000	2	RACK, OVEN, DESIGNER, 30
38	014923-000	1	PAN, BROILER, BLUE PORCELAIN
39	014924-000	1	INSERT, BROILER PAN, BLUE PORCELAIN
40	PD040005	1	SNAP BUSHING - 7/8
NI	013803-000	1	PROBE, MEAT, DESIGNER



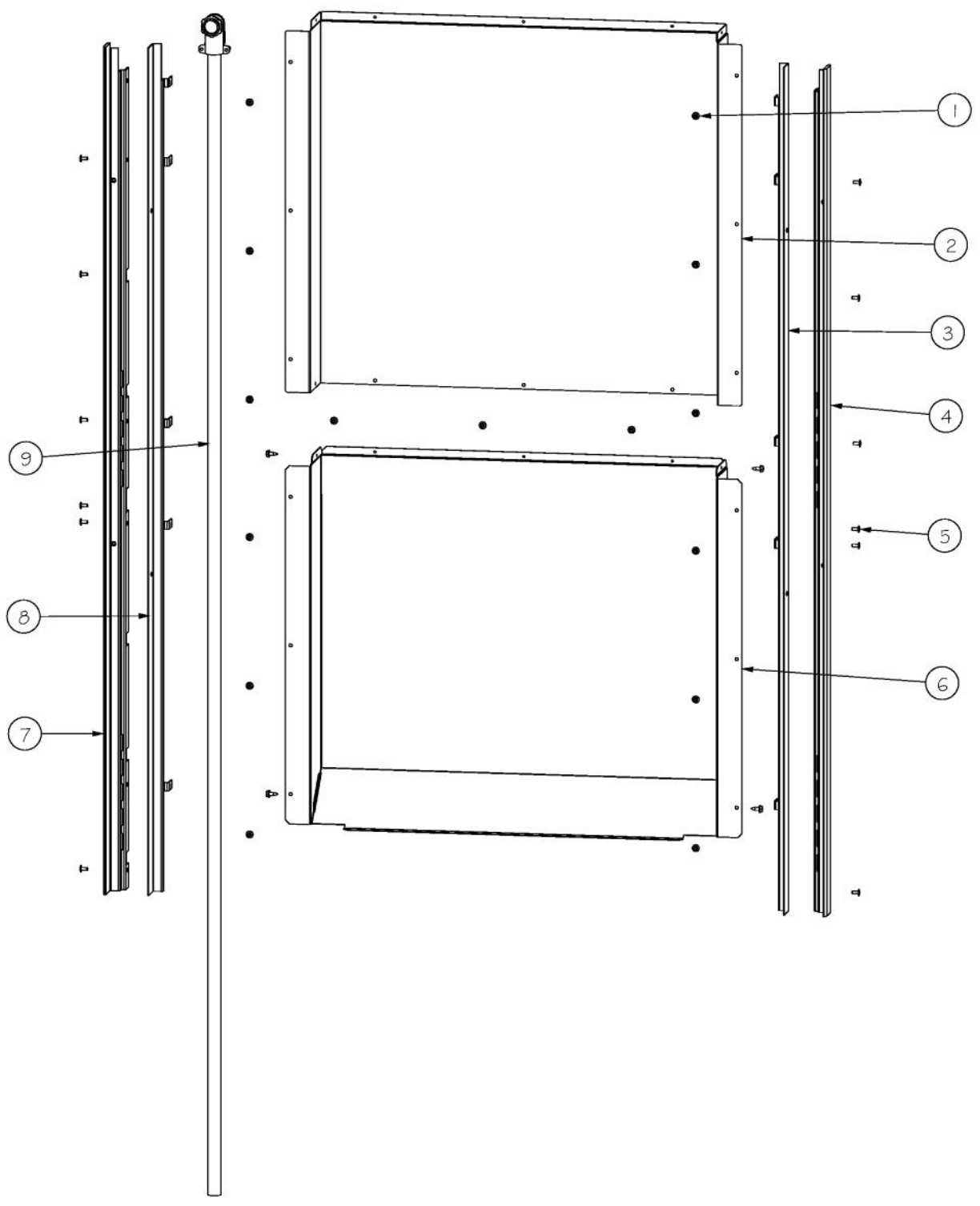
Ref #	Part Number	Qty.	Description
1	008863-000	18	SCREW NO.8 - 18 X 3/8, PHIL, LOW PROFILE TRUSS
2	008913-000	1	SMOKE ELIM VENT, TOP
3	003860-000	10	NO.10-18 X .500 FASTNR,SCR,HXWH,STL,ZPLT
4	008912-000	1	SMOKE ELIMIN BACK
5	008914-000	1	TRIM, VENT, SEAL
6	008899-000	2	COOLING FAN BRACKET
7	PE050250	1	PREMIUM BLOWER WITH HES
8	008901-000	1	RETAINER INSL, TOP
9	008890-000	1	DOOR LATCH
10	015829-000	1	MID VENT ASM
11	008902-000	1	SMOKE ELIM VENT BOTTOM



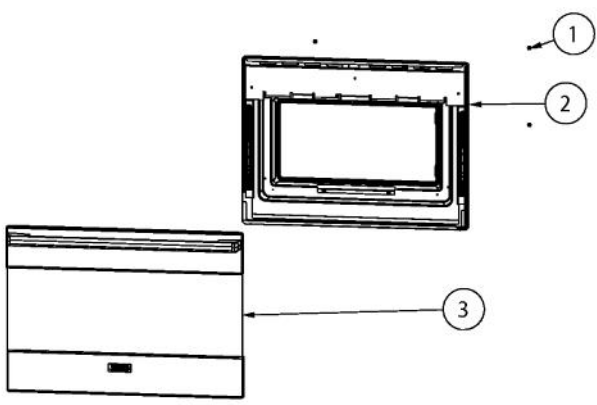
Ref #	Part Number	Qty.	Description
1	003860-000	46	NO.10-18 X .500 FASTNR,SCR,HXWH,STL,ZPLT
2	008898-000	1	FAN DEFLECTOR
3	013070-000	4	SIDE SPACER
4	008888-000	1	BACK INS RETAINER
5	PB070320	2	SILICONE EXTRUSION
6	008874-000	1	CONV FAN MOTOR
7	008877-000	3	CONV MOTOR MOUNT SCREW
8	008873-000	1	CONV. MOTOR COVER
9	008862-000	1	CONV ELEMENT
10	PD020063	2	SCREW-NO.8(A) X 3/8PH WFR HD/BK OXID
11	013580-000	1	CONV COVER W/PORC
12	008863-000	30	SCREW NO.8 - 18 X 3/8, PHIL, LOW PROFILE TRUSS
13	008896-000	2	COVER, INSL, SIDE
14	008855-000	1	COVER BAKE TRAY
15	008895-000	1	RECEIVER, HINGE RIGHT
16	008854-000	1	BAKE ELEMENT
17	008857-000	1	COVER BAKE ELEMENT
18	008894-000	1	RECEIVER, HINGE LEFT
19	008889-000	1	RETAINER, BOT, INSULATION
20	009007-000	1	DOOR GASKET
21	013505-000	1	FRONT FRAME W/PORC
22	013626-000	1	PAINTED GASKET CLIP
23	013740-000	2	COVER, SIDE, DESIGNER
24	008866-000	1	RACK SUPPORT W/ PORC
25	005312-000	2	BJB SLIMLINE 40 W BULB
26	008864-000	2	SILICONE BUMPER
27	008871-000	1	BROIL ELEMENT
28	008872-000	1	RTD COVER
29	008870-000	1	RTD
30	013753-000	1	DEFLECTOR, BRL, ASM, DESIGNER
31	008867-000	1	BROIL REFLECTOR
32	008868-000	1	SMOKE ELIMINATOR
33	013646-000	3	RACK, OVEN, DESIGNER, 30
34	014923-000	1	PAN, BROILER, BLUE PORCELAIN
35	014924-000	1	INSERT, BROILER PAN, BLUE PORCELAIN
36	PD040005	1	SNAP BUSHING - 7/8



Ref #	Part Number	Qty.	Description
1	003860-000	21	NO.10-18 X .500 FASTNR,SCR,HXWH,STL,ZPLT
2	008923-000	1	BASE COVER
3	014278-000	1	BOTTOM SUPPORT
4	008927-000	3	CROSS BRACE ASM
5	008863-000	6	SCREW NO.8 - 18 X 3/8, PHIL, LOW PROFILE TRUSS
6	009015-000	1	LOWER VENT ASM
7	008928-000	2	SLIDE, BASE

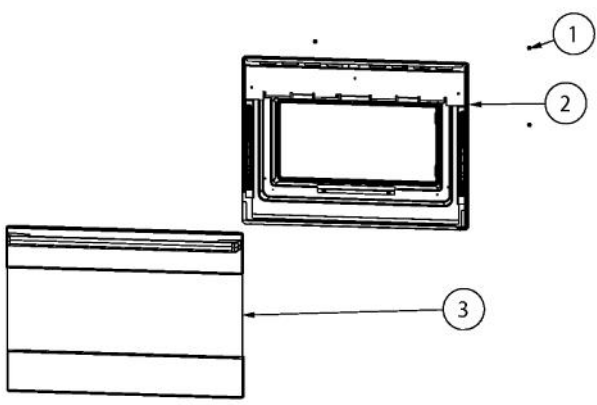


Ref #	Part Number	Qty.	Description
1	003860-000	19	NO.10-18 X .500 FASTNR,SCR,HXWH,STL,ZPLT
2	009008-000	1	COVER, BACK, NON-REF
3	009608-000	1	TRIM,SIDE,RIGHT
4	011323-000	1	DOUBLE RH SIDE TRIM EXTRUSION
5	008863-000	12	SCREW NO.8 - 18 X 3/8, PHIL, LOW PROFILE TRUSS
6	009009-000	1	COVER, BACK, LWR, NON-REF
7	011324-000	1	DOUBLE LH SIDE TRIM EXTRUSION
8	009607-000	1	TRIM,SIDE,LEFT
9	001421-000	1	CONDUIT, ELECTRICAL CORD, 70``



Ref #	Part Number	Qty.	Description
1	008863-000	12	SCREW NO.8 - 18 X 3/8, PHIL, LOW PROFILE TRUSS
2	013585-000	1	DOOR PLUG W/PORC
3	008949-000	1	INNER DOOR GLASS
4	008952-000	2	INNER DOOR GLASS
5	013589-000	1	DOOR INS RET W/PORC
6	008954-000	1	RETAINER, GL, BOT
7	008959-000	1	RETAINER, GL, TOP
8	008955-000	1	HINGE RH
9	008972-000	1	CLIP, GL, DOOR, RH
10	008971-000	2	SPACER, DOOR, HANDLE
11	009078-000	1	OUTER DOOR DECORATIVE GLASS
12	014194-000	1	3M VHB TAPE, 4991
13	014188-000	1	LOWER PANEL, DOOR, SS, W/LOGO
14	013700-000	1	2.75 DESIGNER LOGO WITH PINS
15	009602-000	1	HANDLE, ASM
16	011639-000	1	UPPER DOOR PANEL, SS
17	N/A	4	HEAT SHIELD - MUST ORDER ITEM NO. 11
18	014195-000	1	3M VHB TAPE, 4991, UPPER DOOR
19	008973-000	1	CLIP, GL, DOOR, LH
20	008974-000	4	SCREW 10 - 32 X 3/4 SLOT HEX WASHER
21	008958-000	1	HINGE LH
NI	014219-000	1	OUTER DOOR ASM, SS, W/LOGO
NI	016854-002	1	OUTER DOOR ASM, W/LOGO, BK
NI	016854-003	1	OUTER DOOR ASM, W/LOGO, BT
NI	016854-004	1	OUTER DOOR ASM, W/LOGO, SG
NI	016854-005	1	OUTER DOOR ASM, W/LOGO, GG
NI	016854-006	1	OUTER DOOR ASM, W/LOGO, WH
NI	016854-007	1	OUTER DOOR ASM, (AL) W/LOGO
NI	016854-008	1	OUTER DOOR ASM, W/LOGO, BU
NI	016854-009	1	OUTER DOOR ASM, W/LOGO, LE
NI	016854-010	1	OUTER DOOR ASM, W/LOGO, MJ
NI	016854-011	1	OUTER DOOR ASM, (FG) W/LOGO
NI	016854-012	1	OUTER DOOR ASM, W/LOGO, VB
NI	016854-013	1	OUTER DOOR ASM, W/LOGO, CB
NI	016854-014	1	OUTER DOOR ASM, (EP) W/LOGO
NI	016854-015	1	OUTER DOOR ASM, W/LOGO, PL
NI	016854-016	1	OUTER DOOR ASM, W/LOGO, CH
NI	016854-017	1	OUTER DOOR ASM, W/LOGO, TP
NI	016854-018	1	OUTER DOOR ASM, W/LOGO, CW
NI	016854-019	1	OUTER DOOR ASM, W/LOGO, OG
NI	016854-020	1	OUTER DOOR ASM, W/LOGO, GM
NI	016854-021	1	OUTER DOOR ASM, W/LOGO, SA
NI	016854-022	1	OUTER DOOR ASM, W/LOGO, SE
NI	016854-023	1	OUTER DOOR ASM, W/LOGO, IB
NI	016854-024	1	OUTER DOOR ASM, W/LOGO, AR
NI	016854-025	1	OUTER DOOR ASM, W/LOGO, RR
NI	016854-026	1	OUTER DOOR ASM, W/LOGO, PM
NI	016854-027	1	OUTER DOOR ASM, W/LOGO, MS
NI	014220-000	1	DOOR ASM (SS) W/ LOGO
NI	016853-002	1	DOOR ASM, W/LOGO, BK
NI	016853-003	1	DOOR ASM, W/LOGO, BT
NI	016853-004	1	DOOR ASM, W/LOGO, SG
NI	016853-005	1	DOOR ASM, W/LOGO, GG
NI	016853-006	1	DOOR ASM, W/LOGO, WH
NI	016853-007	1	DOOR ASM (AL) W/LOGO
NI	016853-008	1	DOOR ASM, W/LOGO, BU
NI	016853-009	1	DOOR ASM, W/LOGO, LE
NI	016853-010	1	DOOR ASM, W/LOGO, MJ
NI	016853-011	1	DOOR ASM (FG) W/LOGO
NI	016853-012	1	DOOR ASM, W/LOGO, VB

Ref #	Part Number	Qty.	Description
NI	016853-012	1	DOOR ASM, W/LOGO, VB
NI	016853-013	1	DOOR ASM, W/LOGO, CB
NI	016853-014	1	DOOR ASM (EP) W/LOGO
NI	016853-015	1	DOOR ASM, W/LOGO, PL
NI	016853-016	1	DOOR ASM, W/LOGO, CH
NI	016853-017	1	DOOR ASM, W/LOGO, TP
NI	016853-018	1	DOOR ASM, W/LOGO, CW
NI	016853-019	1	DOOR ASM, W/LOGO, OG
NI	016853-020	1	DOOR ASM, W/LOGO, GM
NI	016853-021	1	DOOR ASM, W/LOGO, SA
NI	016853-022	1	DOOR ASM, W/LOGO, SE
NI	016853-023	1	DOOR ASM, W/LOGO, IB
NI	016853-024	1	DOOR ASM, W/LOGO, AR
NI	016853-025	1	DOOR ASM, W/LOGO, RR
NI	016853-026	1	DOOR ASM, W/LOGO, PM
NI	016853-027	1	DOOR ASM, W/LOGO, MS



Ref #	Part Number	Qty.	Description
1	008863-000	15	SCREW NO.8 - 18 X 3/8, PHIL, LOW PROFILE TRUSS
2	013585-000	1	DOOR PLUG W/PORC
3	008949-000	1	INNER DOOR GLASS
4	008952-000	2	INNER DOOR GLASS
5	013589-000	1	DOOR INS RET W/PORC
6	008954-000	1	RETAINER, GL, BOT
7	008959-000	1	RETAINER, GL, TOP
8	008955-000	1	HINGE RH
9	008972-000	1	CLIP, GL, DOOR, RH
10	008971-000	1	SPACER, DOOR, HANDLE
11	014194-000	1	3M VHB TAPE, 4991
12	011640-000	1	LOWER DOOR SKIN, SS, W/O LOGO
13	009602-000	1	HANDLE, ASM
14	011639-000	1	UPPER DOOR PANEL, SS
15	014195-000	1	3M VHB TAPE, 4991, UPPER DOOR
16	008971-000	1	SPACER, DOOR, HANDLE
17	008973-000	1	CLIP, GL, DOOR, LH
18	008974-000	4	SCREW 10 - 32 X 3/4 SLOT HEX WASHER
19	008958-000	1	HINGE LH
NI	009092-000	1	OUTER DOOR ASM, SS, W/O LOGO
NI	016855-002	1	OUTER DOOR ASM, W/O LOGO, BK
NI	016855-003	1	OUTER DOOR ASM, W/O LOGO, BT
NI	016855-004	1	OUTER DOOR ASM, W/O LOGO, SG
NI	016855-005	1	OUTER DOOR ASM, W/O LOGO, GG
NI	016855-006	1	OUTER DOOR ASM, W/O LOGO, WH
NI	016855-007	1	OUTER DOOR ASM (AL) W/O LOGO
NI	016855-008	1	OUTER DOOR ASM, W/O LOGO, BU
NI	016855-009	1	OUTER DOOR ASM, W/O LOGO, LE
NI	016855-010	1	OUTER DOOR ASM, W/O LOGO, MJ
NI	016855-011	1	OUTER DOOR ASM (FG) W/O LOGO
NI	016855-012	1	OUTER DOOR ASM, W/O LOGO, VB
NI	016855-013	1	OUTER DOOR ASM, W/O LOGO, CB
NI	016855-014	1	OUTER DOOR ASM (EP) W/O LOGO
NI	016855-015	1	OUTER DOOR ASM, W/O LOGO, PL
NI	016855-016	1	OUTER DOOR ASM, W/O LOGO, CH
NI	016855-017	1	OUTER DOOR ASM, W/O LOGO, TP
NI	016855-018	1	OUTER DOOR ASM, W/O LOGO, CW
NI	016855-019	1	OUTER DOOR ASM, W/O LOGO, OG
NI	016855-020	1	OUTER DOOR ASM, W/O LOGO, GM
NI	016855-021	1	OUTER DOOR ASM, W/O LOGO, SA
NI	016855-022	1	OUTER DOOR ASM, W/O LOGO, SE
NI	016855-023	1	OUTER DOOR ASM, W/O LOGO, IB
NI	016855-024	1	OUTER DOOR ASM, W/O LOGO, AR
NI	016855-025	1	OUTER DOOR ASM, W/O LOGO, RR
NI	016855-026	1	OUTER DOOR ASM, W/O LOGO, PM
NI	016855-027	1	OUTER DOOR ASM, W/O LOGO, MS
NI	009093-000	1	DOOR ASM (SS) W/O LOGO
NI	016856-002	1	DOOR ASM, W/O LOGO, BK
NI	016856-003	1	DOOR ASM, W/O LOGO, BT
NI	016856-004	1	DOOR ASM, W/O LOGO, SG
NI	016856-005	1	DOOR ASM, W/O LOGO, GG
NI	016856-006	1	DOOR ASM, W/O LOGO, WH
NI	016856-007	1	DOOR ASM (AL) W/O LOGO
NI	016856-008	1	DOOR ASM, W/O LOGO, BU
NI	016856-009	1	DOOR ASM, W/O LOGO, LE
NI	016856-010	1	DOOR ASM, W/O LOGO, MJ
NI	016856-011	1	DOOR ASM (FG) W/O LOGO
NI	016856-012	1	DOOR ASM, W/O LOGO, VB
NI	016856-013	1	DOOR ASM, W/O LOGO, CB
NI	016856-014	1	DOOR ASM (EP) W/O LOGO

Ref #	Part Number	Qty.	Description
NI	016856-014	1	DOOR ASM (EP) W/O LOGO
NI	016856-015	1	DOOR ASM, W/O LOGO, PL
NI	016856-016	1	DOOR ASM, W/O LOGO, CH
NI	016856-017	1	DOOR ASM, W/O LOGO, TP
NI	016856-018	1	DOOR ASM, W/O LOGO, CW
NI	016856-019	1	DOOR ASM, W/O LOGO, OG
NI	016856-020	1	DOOR ASM, W/O LOGO, GM
NI	016856-021	1	DOOR ASM, W/O LOGO, SA
NI	016856-022	1	DOOR ASM, W/O LOGO, SE
NI	016856-023	1	DOOR ASM, W/O LOGO, IB
NI	016856-024	1	DOOR ASM, W/O LOGO, AR
NI	016856-025	1	DOOR ASM, W/O LOGO, RR
NI	016856-026	1	DOOR ASM, W/O LOGO, PM
NI	016856-027	1	DOOR ASM, W/O LOGO, MS