

This Owner's Manual is provided and hosted by [Appliance Factory Parts](#).



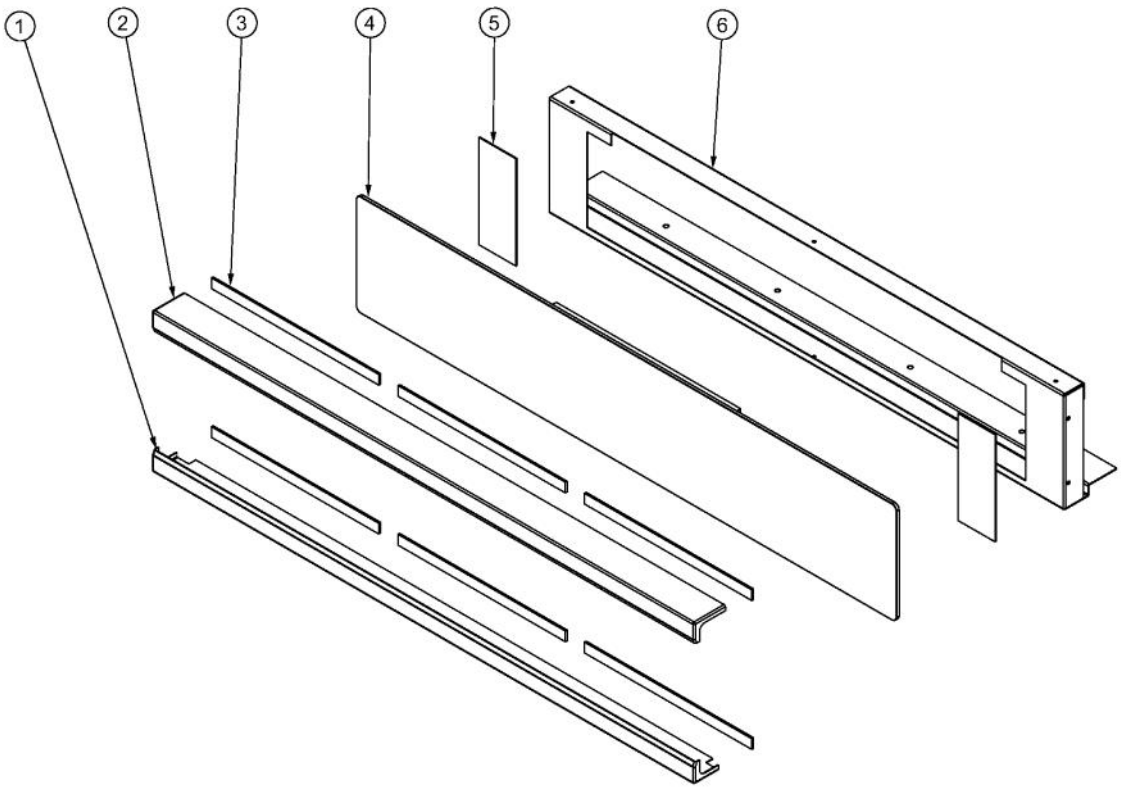
VIKING DDOE305T Owner's Manual

[Shop genuine replacement parts for VIKING DDOE305T](#)



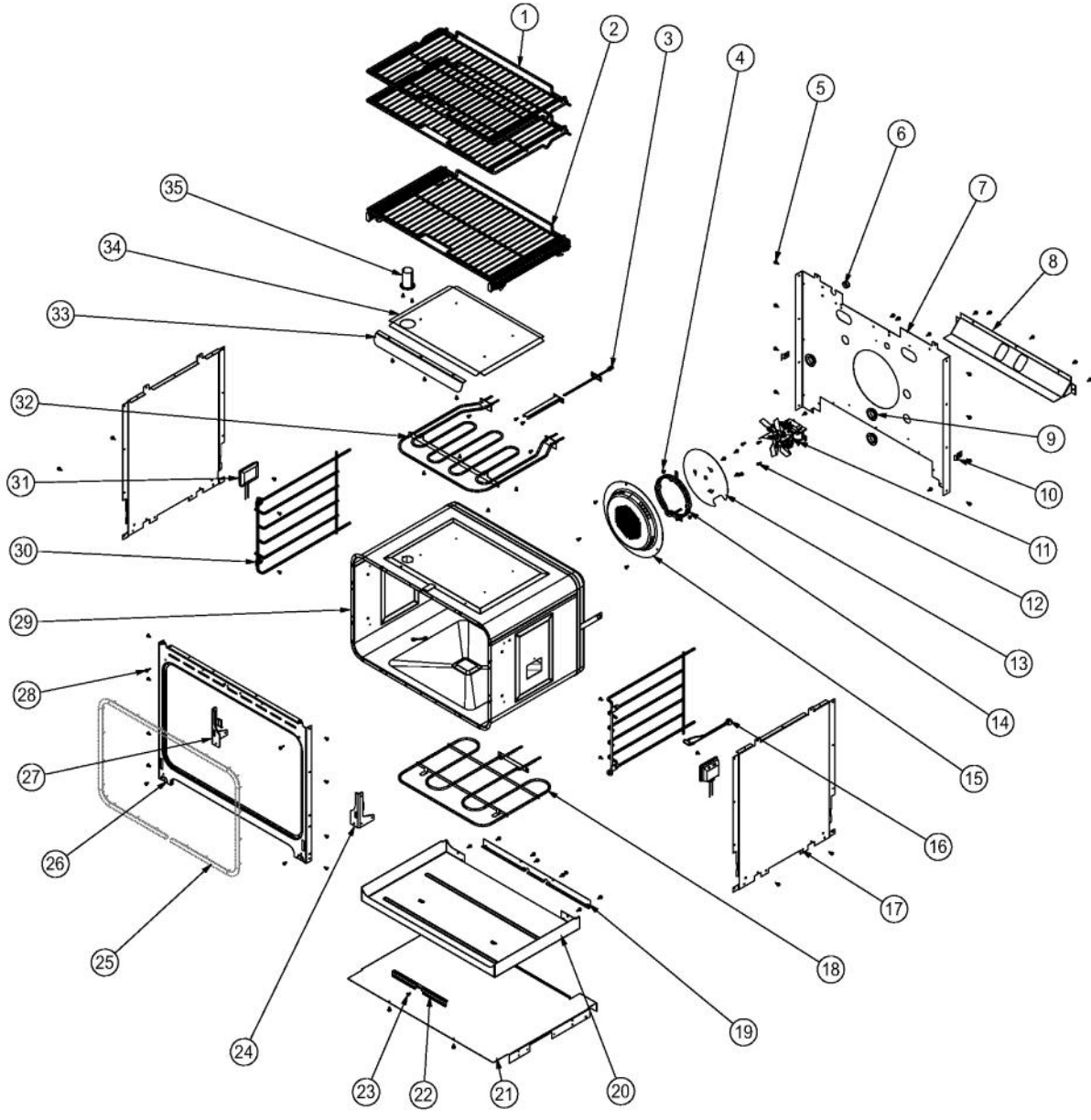
[Find Your VIKING Oven Parts - Select From 98 Models](#)

----- Manual continues below -----

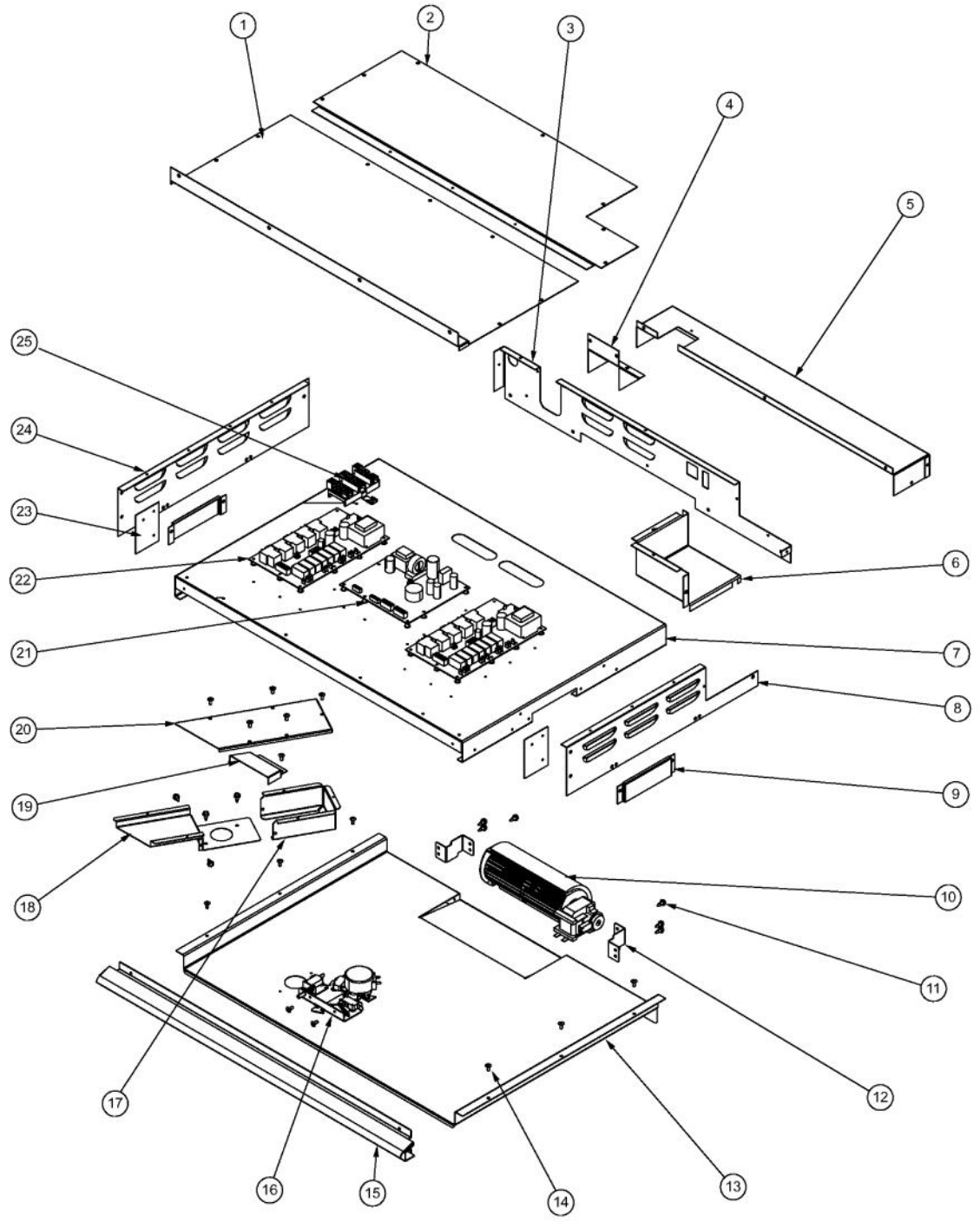


Ref #	Part Number	Qty.	Description
1	014542-000	1	TRIM, CTRL, LOWER, SS
1	015085-002	1	TRIM, CTRL, LOWER, BK
1	015085-003	1	TRIM, CTRL, LOWER, BT
1	015085-004	1	TRIM, CTRL, LOWER, SG
1	015085-005	1	TRIM, CTRL, LOWER, GG
1	015085-006	1	TRIM, CTRL, LOWER, WH
1	015085-008	1	TRIM, CTRL, LOWER, BU
1	015085-009	1	TRIM, CTRL, LOWER, LE
1	015085-010	1	TRIM, CTRL, LOWER, MJ
1	015085-012	1	TRIM, CTRL, LOWER, VB
1	015085-013	1	TRIM, CTRL, LOWER, CB
1	015085-015	1	TRIM, CTRL, LOWER, PL
1	015085-016	1	TRIM, CTRL, LOWER, CH
1	015085-017	1	TRIM, CTRL, LOWER, TP
1	015085-018	1	TRIM, CTRL, LOWER, CW
1	015085-019	1	TRIM, CTRL, LOWER, OG
1	015085-020	1	TRIM, CTRL, LOWER, GM
1	015085-021	1	TRIM, CTRL, LOWER, SA
1	015085-022	1	TRIM, CTRL, LOWER, SE
1	015085-023	1	TRIM, CTRL, LOWER, IB
1	015085-024	1	TRIM, CTRL, LOWER, AR
1	015085-025	1	TRIM, CTRL, LOWER, RR
1	015085-026	1	TRIM, CTRL, LOWER, PM
1	015085-027	1	TRIM, CTRL, LOWER, MS
2	011667-000	1	TRIM, CTRL, UPPER, SS
2	015086-002	1	TRIM, CTRL, UPPER, BK
2	015086-003	1	TRIM, CTRL, UPPER, BT
2	015086-004	1	TRIM, CTRL, UPPER, SG
2	015086-005	1	TRIM, CTRL, UPPER, GG
2	015086-006	1	TRIM, CTRL, UPPER, WH
2	015086-008	1	TRIM, CTRL, UPPER, BU
2	015086-009	1	TRIM, CTRL, UPPER, LE
2	015086-010	1	TRIM, CTRL, UPPER, MJ
2	015086-012	1	TRIM, CTRL, UPPER, VB
2	015086-013	1	TRIM, CTRL, UPPER, CB
2	015086-015	1	TRIM, CTRL, UPPER, PL
2	015086-016	1	TRIM, CTRL, UPPER, CH
2	015086-017	1	TRIM, CTRL, UPPER, TP
2	015086-018	1	TRIM, CTRL, UPPER, CW
2	015086-019	1	TRIM, CTRL, UPPER, OG
2	015086-020	1	TRIM, CTRL, UPPER, GM
2	015086-021	1	TRIM, CTRL, UPPER, SA
2	015086-022	1	TRIM, CTRL, UPPER, SE
2	015086-023	1	TRIM, CTRL, UPPER, IB
2	015086-024	1	TRIM, CTRL, UPPER, AR
2	015086-025	1	TRIM, CTRL, UPPER, RR
2	015086-026	1	TRIM, CTRL, UPPER, PM
2	015086-027	1	TRIM, CTRL, UPPER, MS
3	023199-000	6	TAPE, 9 CONTROL PANEL
4	012802-000	1	GLASS TOUCH PANEL, DOUBLE
5	023222-000	2	FASTENER,ADH,3M
6	013360-000	1	TOUCH MOUNT
NI	029609-000	1	DDOE 305 T CONTROL PNL ASM-SS
NI	029610-002	1	DDOE 305 T CONTROL PNL ASM-BK
NI	029610-003	1	DDOE 305 T CONTROL PNL ASM-BT
NI	029610-004	1	DDOE 305 T CONTROL PNL ASM-SG
NI	029610-005	1	DDOE 305 T CONTROL PNL ASM-GG
NI	029610-006	1	DDOE 305 T CONTROL PNL ASM-WH
NI	029610-008	1	DDOE 305 T CONTROL PNL ASM-BU
NI	029610-009	1	DDOE 305 T CONTROL PNL ASM-LE

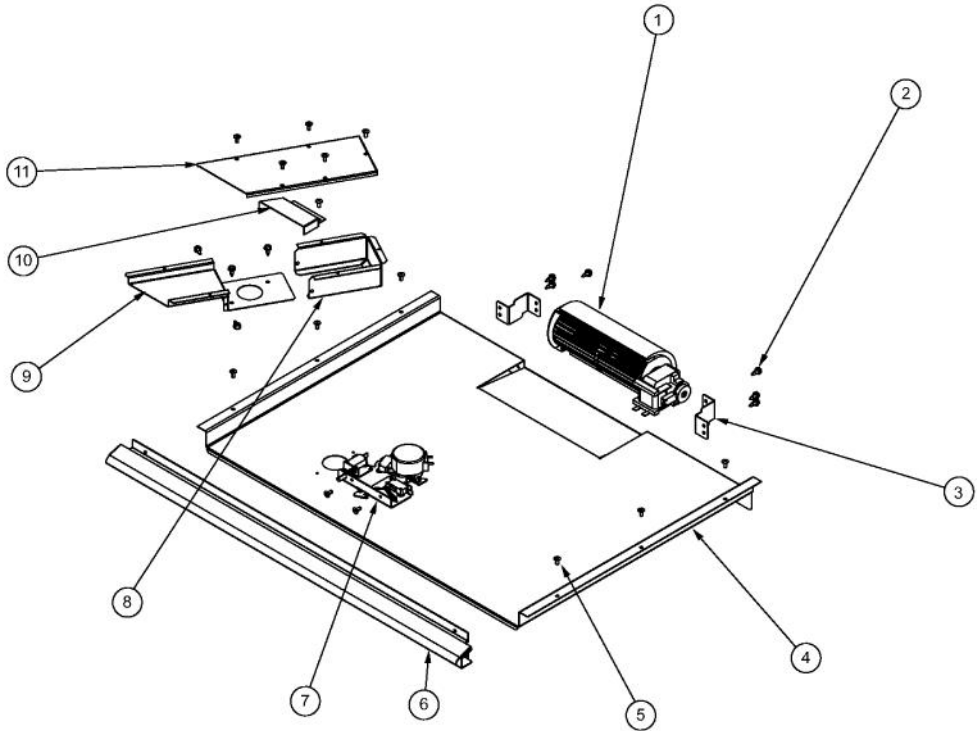
Ref #	Part Number	Qty.	Description
NI	029610-009	1	DDOE 305 T CONTROL PNL ASM-LE
NI	029610-010	1	DDOE 305 T CONTROL PNL ASM-MJ
NI	029610-012	1	DDOE 305 T CONTROL PNL ASM-VB
NI	029610-013	1	DDOE 305 T CONTROL PNL ASM-CB
NI	029610-015	1	DDOE 305 T CONTROL PNL ASM-PL
NI	029610-016	1	DDOE 305 T CONTROL PNL ASM-CH
NI	029610-017	1	DDOE 305 T CONTROL PNL ASM-TP
NI	029610-018	1	DDOE 305 T CONTROL PNL ASM-CW
NI	029610-019	1	DDOE 305 T CONTROL PNL ASM-OG
NI	029610-020	1	DDOE 305 T CONTROL PNL ASM-GM
NI	029610-021	1	DDOE 305 T CONTROL PNL ASM-SA
NI	029610-022	1	DDOE 305 T CONTROL PNL ASM-SE
NI	029610-023	1	DDOE 305 T CONTROL PNL ASM-IB
NI	029610-024	1	DDOE 305 T CONTROL PNL ASM-AR
NI	029610-025	1	DDOE 305 T CONTROL PNL ASM-RR
NI	029610-026	1	DDOE 305 T CONTROL PNL ASM-PM
NI	029610-027	1	DDOE 305 T CONTROL PNL ASM-MS



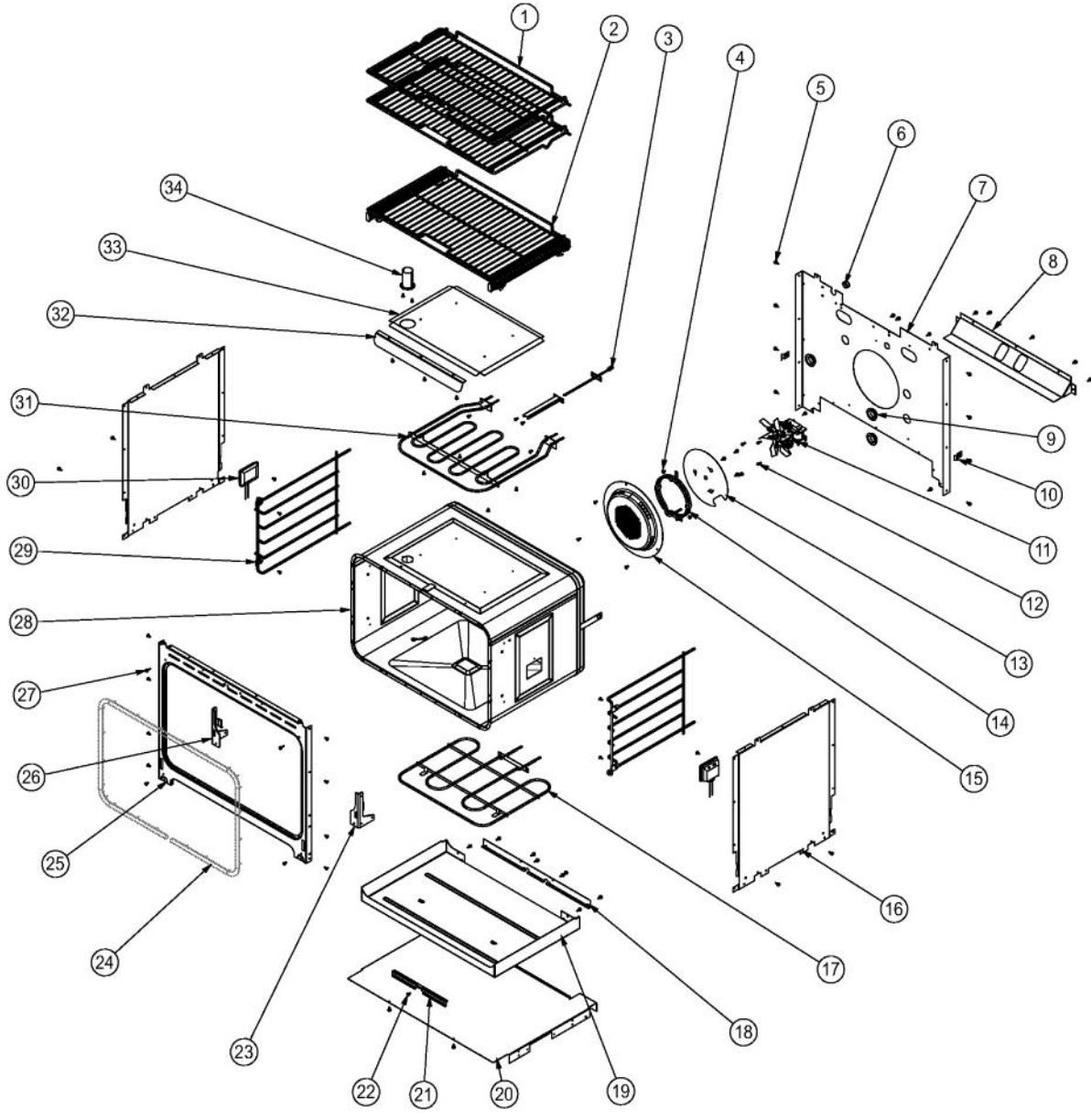
Ref #	Part Number	Qty.	Description
1	013646-000	2	RACK, OVEN, DESIGNER, 30
2	015214-000	1	GLIDE RACK ASM
3	008870-000	1	RTD
4	PD020063	2	SCREW-NO.8(A) X 3/8PH WFR HD/BK OXID
5	003860-000	33	NO.10-18 X .500 FASTNR,SCR,HXWH,STL,ZPLT
6	PD040005	1	SNAP BUSHING - 7/8
7	008888-000	1	BACK INS RETAINER
8	008898-000	1	FAN DEFLECTOR
9	PB070320	3	SILICONE EXTRUSION
10	013070-000	2	SIDE SPACER
11	019668-000	1	FAN, CONV, ASM
12	008877-000	3	CONV MOTOR MOUNT SCREW
13	008873-000	1	CONV. MOTOR COVER
14	008862-000	1	CONV ELEMENT
15	013580-000	1	CONV COVER W/PORC
16	013803-000	1	PROBE, MEAT, DESIGNER
17	008896-000	2	COVER, INSL, SIDE
18	008854-000	1	BAKE ELEMENT
19	008855-000	1	COVER BAKE TRAY
20	008857-000	1	COVER BAKE ELEMENT
21	008889-000	1	RETAINER, BOT, INSULATION
22	009005-000	1	GASKET CLIP RAW
23	008863-000	33	SCREW NO.8 - 18 X 3/8, PHIL, LOW PROFILE TRUSS
24	008895-000	1	RECEIVER, HINGE RIGHT
25	009007-000	1	DOOR GASKET
26	013505-000	1	FRONT FRAME W/PORC
27	008894-000	1	RECEIVER, HINGE LEFT
28	008864-000	2	SILICONE BUMPER
29	UN-SERVICEABLE	1	COOKTOP GAS BOX 36
30	008866-000	1	RACK SUPPORT W/ PORC
31	020403-000	2	BJB SLIMLINE 40W BULB
32	008871-000	1	BROIL ELEMENT
33	013753-000	1	DEFLECTOR, BRL, ASM, DESIGNER
34	008867-000	1	BROIL REFLECTOR
35	008868-000	1	SMOKE ELIMINATOR



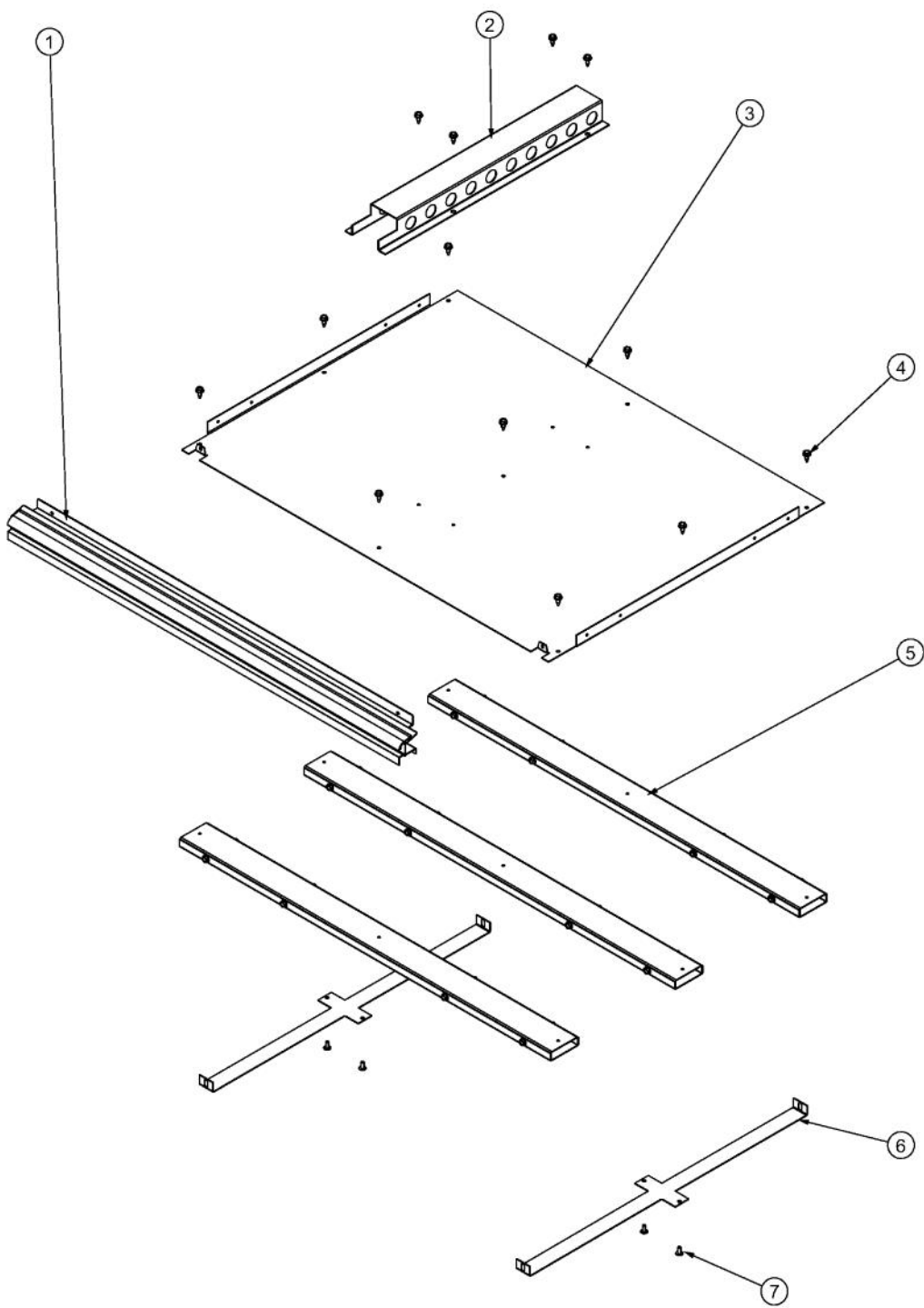
Ref #	Part Number	Qty.	Description
1	012541-000	1	PANEL, ACS, FR
2	015776-000	1	PANEL, ACS, TOP, REAR
3	015775-000	1	PANEL, ENCL, BACK, W/LOUVERS
4	009004-000	1	COVER, WIRE
5	009003-000	1	COVER, BACK, TOP
6	015774-000	1	COVER PLATE
7	019372-000	1	PANEL, MOUNTING, TOUCH
8	015777-000	1	TOP SIDE, RH
9	013740-000	2	COVER, SIDE, DESIGNER
10	PE050250	1	PREMIUM BLOWER WITH HES
11	003860-000	10	NO.10-18 X .500 FASTNR,SCR,HXWH,STL,ZPLT
12	008899-000	2	COOLING FAN BRACKET
13	008901-000	1	RETAINER INSL, TOP
14	008863-000	14	SCREW NO.8 - 18 X 3/8, PHIL, LOW PROFILE TRUSS
15	009012-000	1	UPPER VENT ASM
16	008890-000	1	DOOR LATCH
17	008912-000	1	SMOKE ELIMIN BACK
18	008902-000	1	SMOKE ELIM VENT BOTTOM
19	008914-000	1	TRIM, VENT, SEAL
20	008913-000	1	SMOKE ELIM VENT, TOP
21	PE050233	1	CONTROL BOARD
22	PE050234	2	RELAY BOARD
23	012542-000	2	FILLER PLATE
24	012540-000	1	TOP SIDE, LH
25	PE070147	1	TERMINAL BLOCK
NI	023222-000	2	FASTENER,ADH,3M



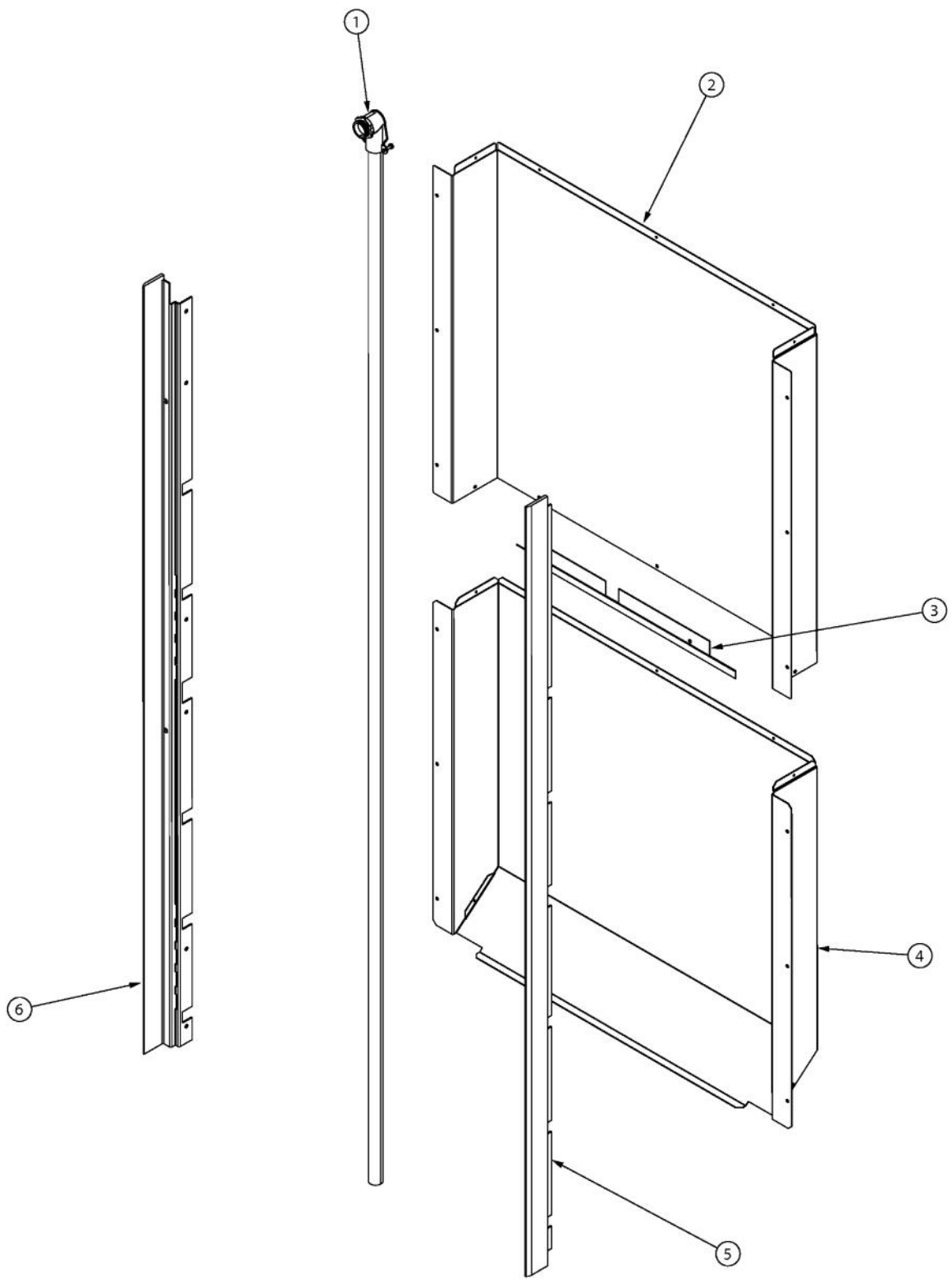
Ref #	Part Number	Qty.	Description
1	PE050250	1	PREMIUM BLOWER WITH HES
2	003860-000	10	NO.10-18 X .500 FASTNR,SCR,HXWH,STL,ZPLT
3	008899-000	2	COOLING FAN BRACKET
4	008901-000	1	RETAINER INSL, TOP
5	008863-000	14	SCREW NO.8 - 18 X 3/8, PHIL, LOW PROFILE TRUSS
6	009012-000	1	UPPER VENT ASM
7	008890-000	1	DOOR LATCH
8	008912-000	1	SMOKE ELIMIN BACK
9	008902-000	1	SMOKE ELIM VENT BOTTOM
10	008914-000	1	TRIM, VENT, SEAL
11	008913-000	1	SMOKE ELIM VENT, TOP
12	PE050233	1	CONTROL BOARD
13	PE050234	2	RELAY BOARD
14	012542-000	2	FILLER PLATE
15	012540-000	1	TOP SIDE, LH
16	PE070147	1	TERMINAL BLOCK



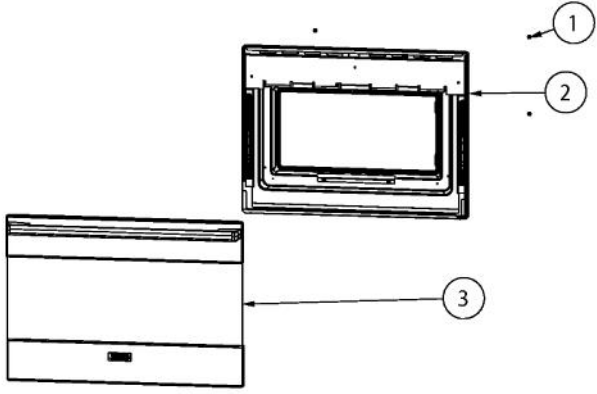
Ref #	Part Number	Qty.	Description
1	013646-000	2	RACK, OVEN, DESIGNER, 30
2	015214-000	1	GLIDE RACK ASM
3	008870-000	1	RTD
4	PD020063	2	SCREW-NO.8(A) X 3/8PH WFR HD/BK OXID
5	003860-000	33	NO.10-18 X .500 FASTNR,SCR,HXWH,STL,ZPLT
6	PD040005	1	SNAP BUSHING - 7/8
7	008888-000	1	BACK INS RETAINER
8	008898-000	1	FAN DEFLECTOR
9	PB070320	3	SILICONE EXTRUSION
10	013070-000	2	SIDE SPACER
11	019668-000	1	FAN, CONV, ASM
12	008877-000	3	CONV MOTOR MOUNT SCREW
13	008873-000	1	CONV. MOTOR COVER
14	008862-000	1	CONV ELEMENT
15	013580-000	1	CONV COVER W/PORC
16	008896-000	2	COVER, INSL, SIDE
17	008854-000	1	BAKE ELEMENT
18	008855-000	1	COVER BAKE TRAY
19	008857-000	1	COVER BAKE ELEMENT
20	008889-000	1	RETAINER, BOT, INSULATION
21	009005-000	1	GASKET CLIP RAW
22	008863-000	33	SCREW NO.8 - 18 X 3/8, PHIL, LOW PROFILE TRUSS
23	008895-000	1	RECEIVER, HINGE RIGHT
24	009007-000	1	DOOR GASKET
25	013505-000	1	FRONT FRAME W/PORC
26	008894-000	1	RECEIVER, HINGE LEFT
27	008864-000	2	SILICONE BUMPER
28	UN-SERVICEABLE	1	COOKTOP GAS BOX 36
29	008866-000	1	RACK SUPPORT W/ PORC
30	020403-000	2	BJB SLIMLINE 40W BULB
31	008871-000	1	BROIL ELEMENT
32	013753-000	1	DEFLECTOR, BRL, ASM, DESIGNER
33	008867-000	1	BROIL REFLECTOR
34	008868-000	1	SMOKE ELIMINATOR



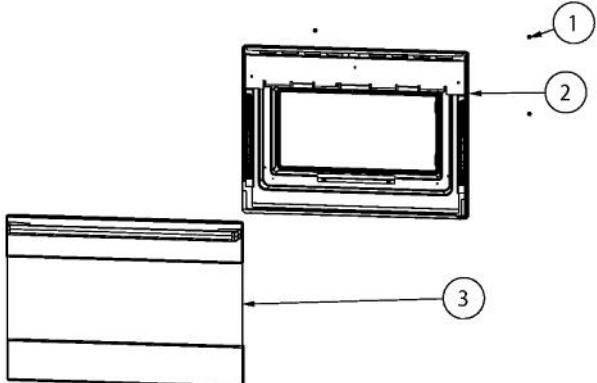
Ref #	Part Number	Qty.	Description
1	009015-000	1	LOWER VENT ASM
2	014278-000	1	BOTTOM SUPPORT
3	008923-000	1	BASE COVER
4	003860-000	13	NO.10-18 X .500 FASTNR,SCR,HXWH,STL,ZPLT
5	008927-000	1	CROSS BRACE ASM
6	008928-000	2	SLIDE, BASE
7	008863-000	3	SCREW NO.8 - 18 X 3/8, PHIL, LOW PROFILE TRUSS



Ref #	Part Number	Qty.	Description
1	001421-000	1	CONDUIT, ELECTRICAL CORD, 70``
2	009003-000	1	COVER, BACK, TOP
3	009010-000	1	AIR DEFLECTOR
4	009009-000	1	COVER, BACK, LWR, NON-REF
5	011323-000	1	DOUBLE RH SIDE TRIM EXTRUSION
6	011324-000	1	DOUBLE LH SIDE TRIM EXTRUSION



Ref #	Part Number	Qty.	Description
1	008863-000	11	SCREW NO.8 - 18 X 3/8, PHIL, LOW PROFILE TRUSS
2	008963-000	1	LINER, DOOR, ASM, TMIO
3	014219-000	1	OUTER DOOR ASM, SS, W/LOGO
NI	016854-002	1	OUTER DOOR ASM, W/LOGO, BK
NI	016854-003	1	OUTER DOOR ASM, W/LOGO, BT
NI	016854-004	1	OUTER DOOR ASM, W/LOGO, SG
NI	016854-005	1	OUTER DOOR ASM, W/LOGO, GG
NI	016854-006	1	OUTER DOOR ASM, W/LOGO, WH
NI	016854-008	1	OUTER DOOR ASM, W/LOGO, BU
NI	016854-009	1	OUTER DOOR ASM, W/LOGO, LE
NI	016854-010	1	OUTER DOOR ASM, W/LOGO, MJ
NI	016854-012	1	OUTER DOOR ASM, W/LOGO, VB
NI	016854-013	1	OUTER DOOR ASM, W/LOGO, CB
NI	016854-015	1	OUTER DOOR ASM, W/LOGO, PL
NI	016854-016	1	OUTER DOOR ASM, W/LOGO, CH
NI	016854-017	1	OUTER DOOR ASM, W/LOGO, TP
NI	016854-018	1	OUTER DOOR ASM, W/LOGO, CW
NI	016854-019	1	OUTER DOOR ASM, W/LOGO, OG
NI	016854-020	1	OUTER DOOR ASM, W/LOGO, GM
NI	016854-021	1	OUTER DOOR ASM, W/LOGO, SA
NI	016854-022	1	OUTER DOOR ASM, W/LOGO, SE
NI	016854-023	1	OUTER DOOR ASM, W/LOGO, IB
NI	016854-024	1	OUTER DOOR ASM, W/LOGO, AR
NI	016854-025	1	OUTER DOOR ASM, W/LOGO, RR
NI	016854-026	1	OUTER DOOR ASM, W/LOGO, PM
NI	016854-027	1	OUTER DOOR ASM, W/LOGO, MS
NI	014220-000	1	DOOR ASM (SS) W/ LOGO
NI	016853-002	1	DOOR ASM, W/LOGO, BK
NI	016853-003	1	DOOR ASM, W/LOGO, BT
NI	016853-004	1	DOOR ASM, W/LOGO, SG
NI	016853-005	1	DOOR ASM, W/LOGO, GG
NI	016853-006	1	DOOR ASM, W/LOGO, WH
NI	016853-008	1	DOOR ASM, W/LOGO, BU
NI	016853-009	1	DOOR ASM, W/LOGO, LE
NI	016853-010	1	DOOR ASM, W/LOGO, MJ
NI	016853-012	1	DOOR ASM, W/LOGO, VB
NI	016853-013	1	DOOR ASM, W/LOGO, CB
NI	016853-015	1	DOOR ASM, W/LOGO, PL
NI	016853-016	1	DOOR ASM, W/LOGO, CH
NI	016853-017	1	DOOR ASM, W/LOGO, TP
NI	016853-018	1	DOOR ASM, W/LOGO, CW
NI	016853-019	1	DOOR ASM, W/LOGO, OG
NI	016853-020	1	DOOR ASM, W/LOGO, GM
NI	016853-021	1	DOOR ASM, W/LOGO, SA
NI	016853-022	1	DOOR ASM, W/LOGO, SE
NI	016853-023	1	DOOR ASM, W/LOGO, IB
NI	016853-024	1	DOOR ASM, W/LOGO, AR
NI	016853-025	1	DOOR ASM, W/LOGO, RR
NI	016853-026	1	DOOR ASM, W/LOGO, PM
NI	016853-027	1	DOOR ASM, W/LOGO, MS



Ref #	Part Number	Qty.	Description
1	008863-000	11	SCREW NO.8 - 18 X 3/8, PHIL, LOW PROFILE TRUSS
2	008963-000	1	LINER, DOOR, ASM, TMIO
3	009092-000	1	OUTER DOOR ASM, SS, W/O LOGO
NI	016855-002	1	OUTER DOOR ASM, W/O LOGO, BK
NI	016855-003	1	OUTER DOOR ASM, W/O LOGO, BT
NI	016855-004	1	OUTER DOOR ASM, W/O LOGO, SG
NI	016855-005	1	OUTER DOOR ASM, W/O LOGO, GG
NI	016855-006	1	OUTER DOOR ASM, W/O LOGO, WH
NI	016855-008	1	OUTER DOOR ASM, W/O LOGO, BU
NI	016855-009	1	OUTER DOOR ASM, W/O LOGO, LE
NI	016855-010	1	OUTER DOOR ASM, W/O LOGO, MJ
NI	016855-012	1	OUTER DOOR ASM, W/O LOGO, VB
NI	016855-013	1	OUTER DOOR ASM, W/O LOGO, CB
NI	016855-015	1	OUTER DOOR ASM, W/O LOGO, PL
NI	016855-016	1	OUTER DOOR ASM, W/O LOGO, CH
NI	016855-017	1	OUTER DOOR ASM, W/O LOGO, TP
NI	016855-018	1	OUTER DOOR ASM, W/O LOGO, CW
NI	016855-019	1	OUTER DOOR ASM, W/O LOGO, OG
NI	016855-020	1	OUTER DOOR ASM, W/O LOGO, GM
NI	016855-021	1	OUTER DOOR ASM, W/O LOGO, SA
NI	016855-022	1	OUTER DOOR ASM, W/O LOGO, SE
NI	016855-023	1	OUTER DOOR ASM, W/O LOGO, IB
NI	016855-024	1	OUTER DOOR ASM, W/O LOGO, AR
NI	016855-025	1	OUTER DOOR ASM, W/O LOGO, RR
NI	016855-026	1	OUTER DOOR ASM, W/O LOGO, PM
NI	016855-027	1	OUTER DOOR ASM, W/O LOGO, MS
NI	009093-000	1	DOOR ASM (SS) W/O LOGO
NI	016856-002	1	DOOR ASM, W/O LOGO, BK
NI	016856-003	1	DOOR ASM, W/O LOGO, BT
NI	016856-004	1	DOOR ASM, W/O LOGO, SG
NI	016856-005	1	DOOR ASM, W/O LOGO, GG
NI	016856-006	1	DOOR ASM, W/O LOGO, WH
NI	016856-008	1	DOOR ASM, W/O LOGO, BU
NI	016856-009	1	DOOR ASM, W/O LOGO, LE
NI	016856-010	1	DOOR ASM, W/O LOGO, MJ
NI	016856-012	1	DOOR ASM, W/O LOGO, VB
NI	016856-013	1	DOOR ASM, W/O LOGO, CB
NI	016856-015	1	DOOR ASM, W/O LOGO, PL
NI	016856-016	1	DOOR ASM, W/O LOGO, CH
NI	016856-017	1	DOOR ASM, W/O LOGO, TP
NI	016856-018	1	DOOR ASM, W/O LOGO, CW
NI	016856-019	1	DOOR ASM, W/O LOGO, OG
NI	016856-020	1	DOOR ASM, W/O LOGO, GM
NI	016856-021	1	DOOR ASM, W/O LOGO, SA
NI	016856-022	1	DOOR ASM, W/O LOGO, SE
NI	016856-023	1	DOOR ASM, W/O LOGO, IB
NI	016856-024	1	DOOR ASM, W/O LOGO, AR
NI	016856-025	1	DOOR ASM, W/O LOGO, RR
NI	016856-026	1	DOOR ASM, W/O LOGO, PM
NI	016856-027	1	DOOR ASM, W/O LOGO, MS

*No Image
Available*

Ref #	Part Number	Qty.	Description
NI	PE070884	1	TOUCH CONTROL LOWER RELAY HARNESS
NI	PE070845	1	TOUCH CONTROL KEYBOARD HARNESS
NI	PE070846	1	TOUCH CONTROL DISPLAY HARNESS
NI	005294-000	1	MODEL 7 HEADER