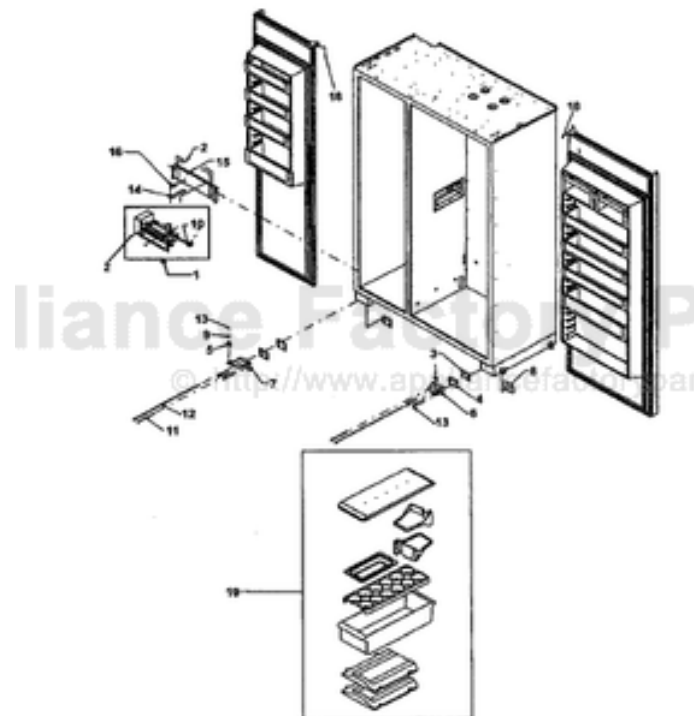


This Owner's Manual is provided and hosted by [Appliance Factory Parts](#).



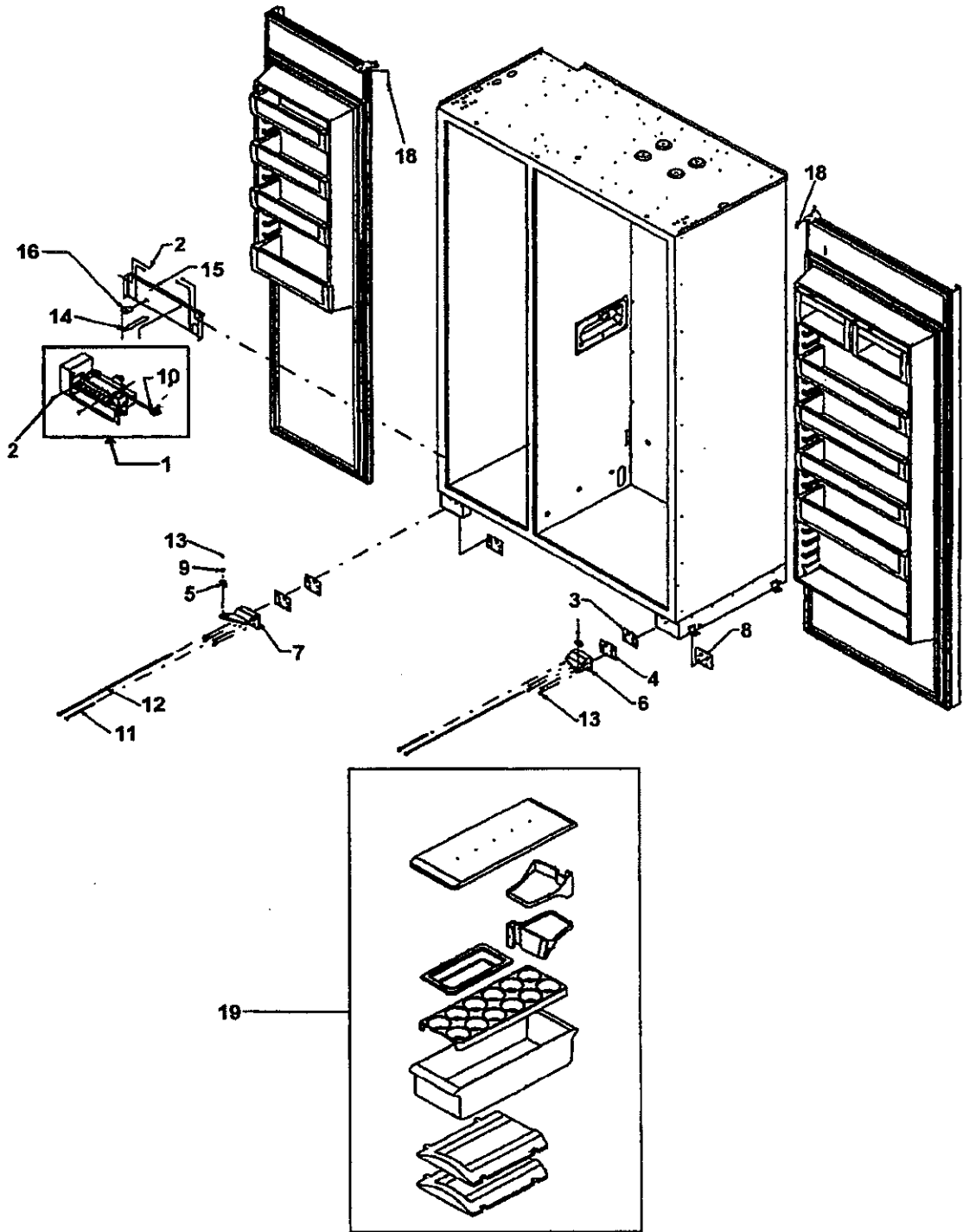
# VIKING DDSB483D\_G\_ Owner's Manual

[Shop genuine replacement parts for VIKING  
DDSB483D\\_G](#)

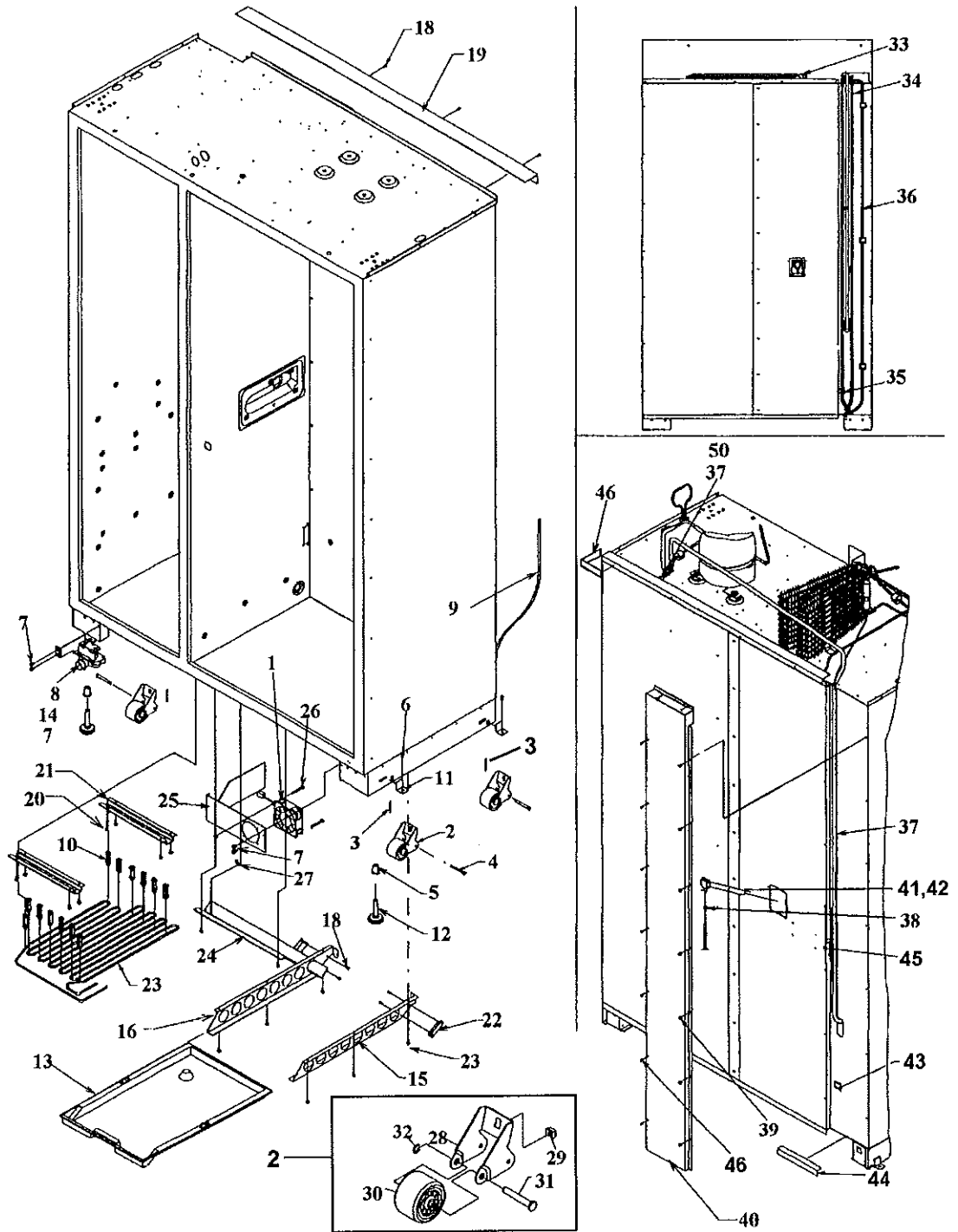


[Find Your VIKING Refrigerator Parts - Select From 341 Models](#)

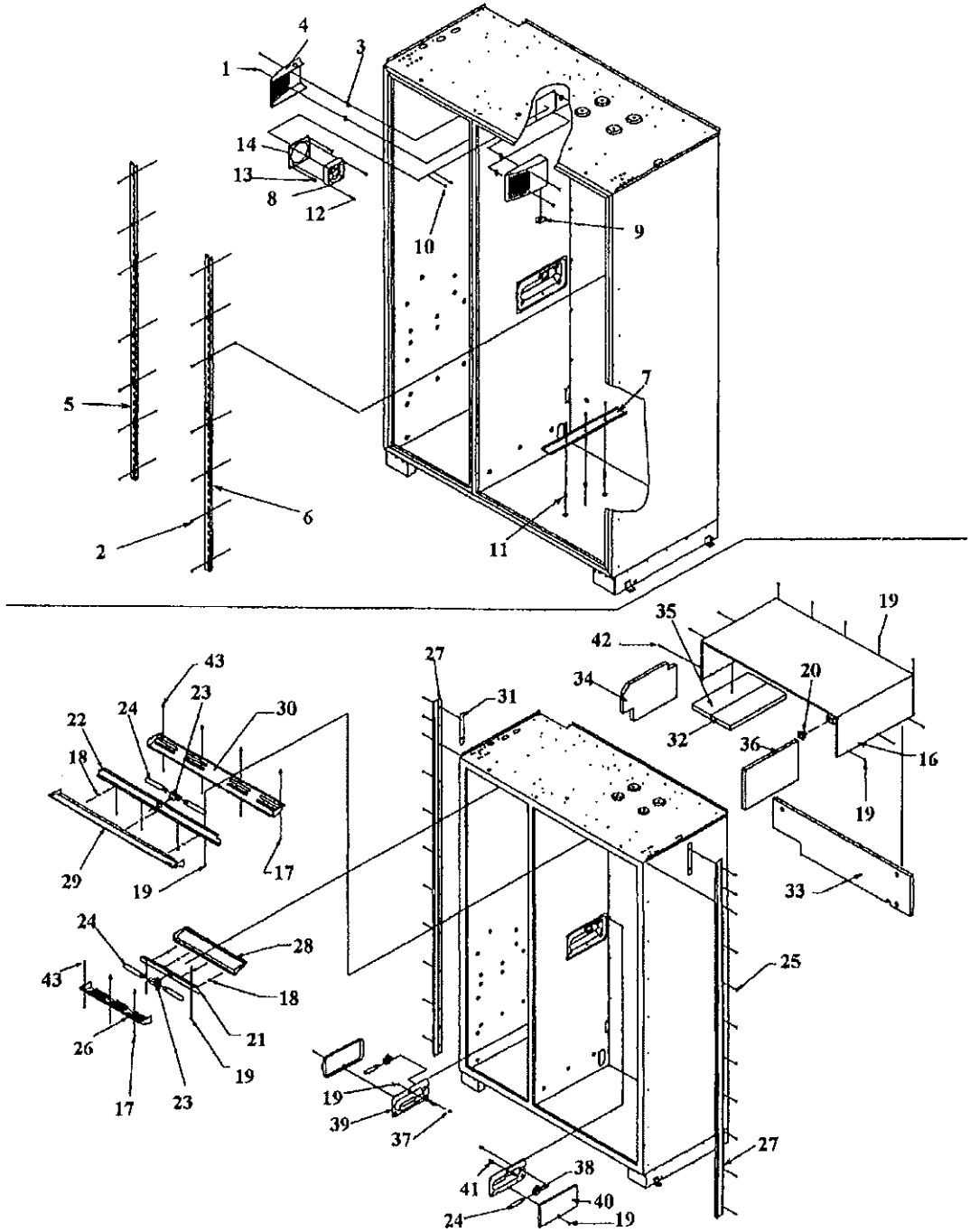
----- Manual continues below -----



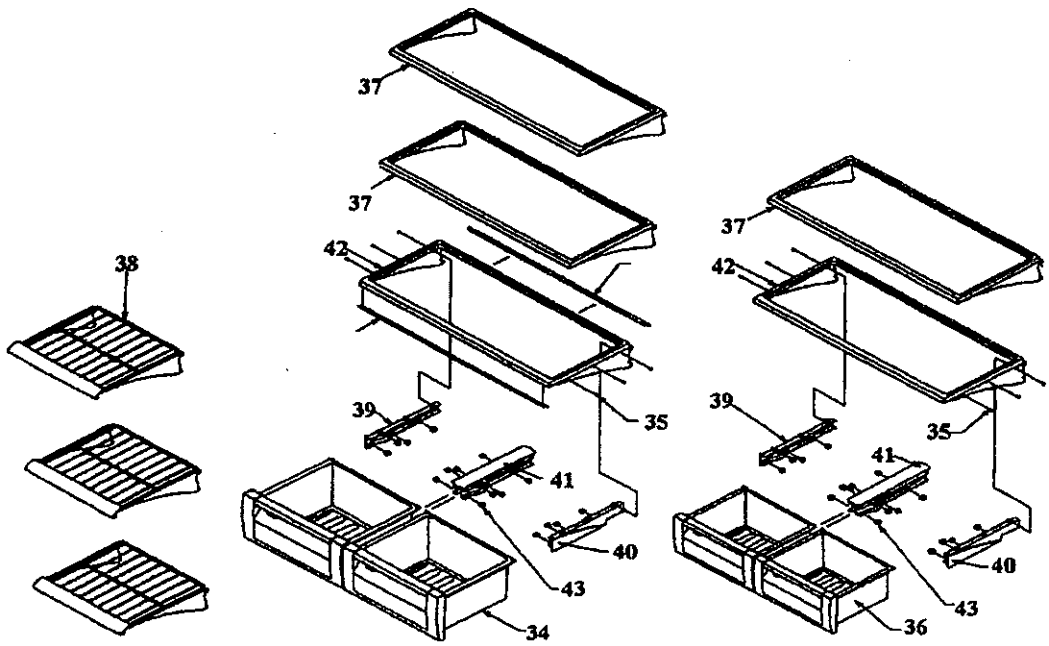
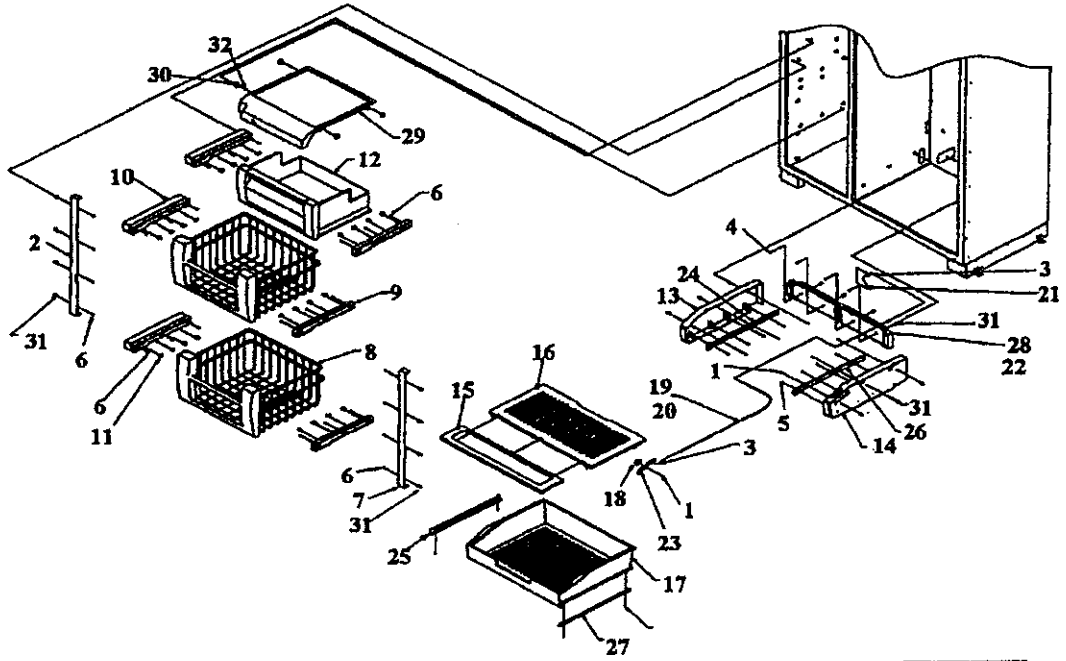
Ref #	Part Number	Qty.	Description
1	G50911858		ICE MAKER ASM, SXS ND, AF
2	M0238616		SCREW-SM
3	K2096449		SHIM-LOWER HINGE 12198501
4	K2096450		SHIM-LOWER HINGE 12198502
5	PC920071		DOOR CLOSURE
6	PC920060		LOWER HINGE ASSY - RH (S X S)
7	PC920061		LOWER HINGE LH VCSB482
8	PK900026		PLATE-BOTTOM HINGE SUPPORT SXS
9	M0272803		WASHER-LOCK
10	M0321202		TIE-ELEC
11	M0204339		SCREW-ADJ ROLLER VM0204339
12	10093305		SCREW-ADJ ROLLER V10093305
13	M0202528		SCREW-MACH NO.
14	A3127415		EXT-FILL TUBE
15	C2097183		SUPPORT IM ND SXS 48
16	K2096464		BKT-ND IM 12265501
17	M0238734		SCREW-TF
18	M0220928		SCREW, SHOULDER
NI	10526701		CLAMP-WIRE V10526701
NI	G50910009		GRILLE TOE ASM COMPLETE 48 DISP
NI	M0270510		WASHER
19	12460005		ACCESSORY ASSEMBLY - INCLUDES:
NI	PC920050		HNGE TP RLW VCBB360RSS RE V12119503
NI	PC920052		HINGE TAP L LW REP V12119504
NI	K1096533		SHIM-HINGE HALF
NI	PM910465		FILTER CARTRIDGE
			MUST HAVE INSTALLED G50911813 KIT BEFORE
			PM910465 CAN BE INSTALLED ON UNITS MADE BEFORE 7/1...



Ref #	Part Number	Qty.	Description
1	12075003		MOTOR-REF FAN
2	G5096490		SUB TO G5096596
3	M1200004		PIN-COTTER
4	M1200203		PIN-CLEVIS
5	M0295308		NUT-RIVET VM0295308
6	M0267153		SCREW-MACH VM0267153
7	M0220417		SCREW-TC
8	PA070014		VALVE WATER DOUBLE COMP. INLET (AFTER 05/25/05)
	G50911843		WATER VALVE/BRACKET SVC KIT (BEFORE 05/25/05)
9	B5705313		TUBE-PLASTIC NO.
10	12071201		CLIP-DRAIN LOOP
11	K2096427		BRKT-SHIPPING 12071102
12	12150601		FOOT-LEVELING V12150601
13	12071301		PAN-DRAIN (NON-ANTIMICROBIAL) (BEFORE 02/07/05)
	PK930348		PAN DRAIN (AFTER 02/07/05)
14	M0753001		NUT-SLEEVE
15	K2096459		RAIL-PAN 12234701
16	K2096460		RAIL-PAN 12234702
17	A1055101		SPRING-ANTI KINK
18	A4539601		SUB TO PC040010 - RIVET-POP VA4539601
19	K2096442		SHIELD-POWER CORD 12180503
20	M0224416		SCREW-SM
21	K2096455		BRKT-SERP. CLIP 12215001
22	K2096439		ANGLE-DRAIN PAN 12143801
23	12197501		SERPENTINE, DRAIN PAN
24	L2096474		TROUGH-DRAIN REP V12349801
25	K2096473		BRKT-DC FAN 12349201
26	M0210417		SCREW, SS SM
27	M0280801		NUT-HEX VM0280801
28	K2196420		BRACKET, ROLLER
29	M0286708		NUT-SPEED
30	12034201		ROLLER-CABINET
31	M1252901		PIN, PIVOT
32	M0273801		RING-RETAINING
33	10916507		TUBE-PROCESS GRN
34	10851312		INSULATION TUBING 70.000
35	M0104106		CLIP-CORD VM0104106
36	12527801		HARNES-FAN MOTOR
37	M0238616		SCREW-SM
38	12115101		CLAMP-TUBE V12115101
39	M0238616		SCREW-SM
40	K2096444		COVER-HT EXCHANGE 12187701
41	12023401		FILL TUBE ASSEMBLY
42	A3127415		EXT-FILL TUBE
43	M0104106		CLIP-CORD VM0104106
44	A3189370		GASKET-FOAM VA3189370
45	A3189368		GASKET-FOAM VA3189368
46	A4539601		SUB TO PC040010 - RIVET-POP VA4539601

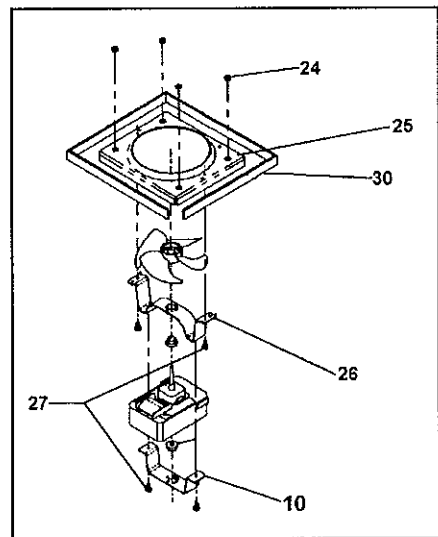
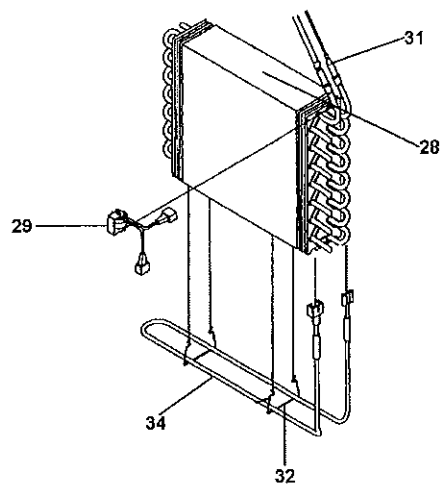
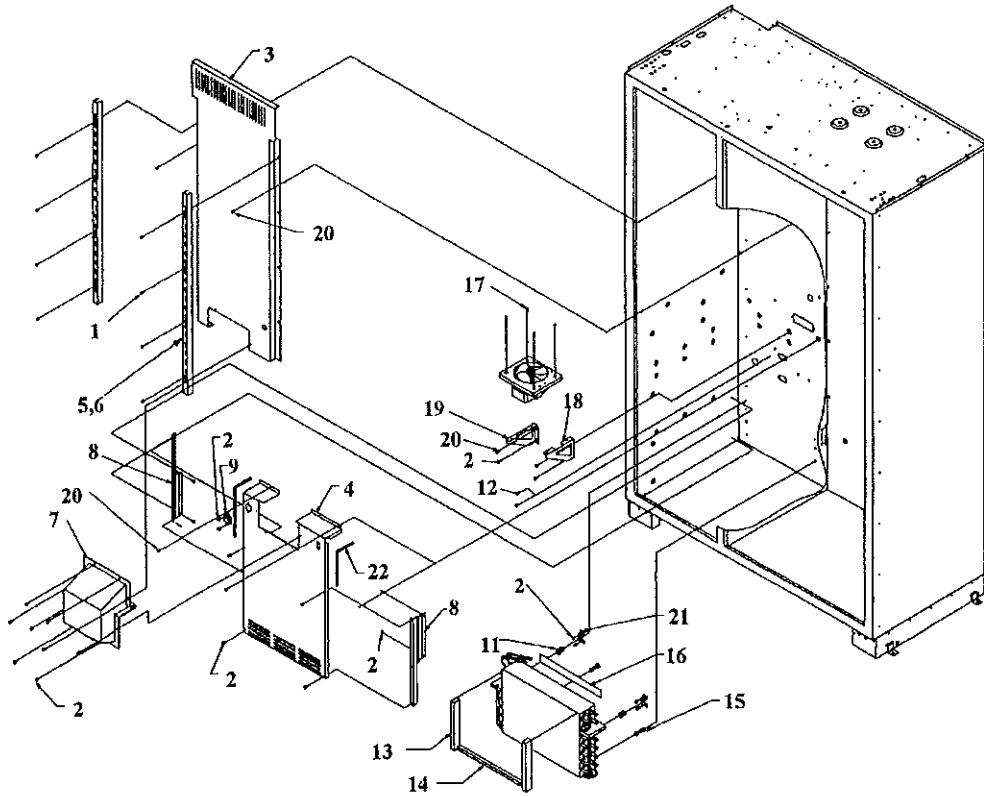


Ref #	Part Number	Qty.	Description
1	M0221913		SCREW-SM
2	M0238535		SCREW-SM
3	M0288120		NUT-SPEED, VM0288120
4	PK930085		COVER FAN SXS 48 FF
	PK930086		COVER FAN SXS 48 FZ
5	PK920023		LADDER FF L
6	PK920024		LADDER FF R
7	12118901		TRACK-DELI DRAWER
8	12075003		MOTOR-REF FAN
9	C8983701		THERMISTOR
10	M0232903		SCREW-SE
11	M0581001		GROMMET-SCREW
12	M0218136		SCREW-SM
13	M0218137		SCREW-SM
14	K2096475		PLATE-FAN MNT 12404701
15	12102501		RET-HARNES
	M0321202		TIE-ELEC
16	G3096496		MC COVER WELD 12213401
17	M0238846		SCREW-SHLDR
18	M0108201		CLIP-S
19	M0238616		SCREW-SM
20	12074801		SWITCH, POWER
21	L2098313		BRACKET, LT, 36 BTM, FZ
22	L2098309		BRKT REF LIGHT
23	PE950125		LIGHT SOCKET
24	A3079001		LAMP - 40W
25	M0210417		SCREW, SS SM
26	PK930077		LENS LIGHT SXS 48 FZ
27	B2096406		RETAINER CABINET - SS
	C2096406		SUB TO C9396406BR
28	PK930078		COVER LIGHT SXS 48 FZ
29	12184401		COVER, REFRIGERATOR LIGHT
30	12184501		LENS, REFRIGERATOR LIGHT
31	12135402		SHIM-CAB TRIM
NI	PE950134		SWITCH, FAN (AFTER 2/10/03)
32	12074701		INSUL-MC CVR V12074701
33	12184901		INSUL-BACK MC CVR
34	12074601		INSUL-L MC CVR V12074601
35	12074704		INSUL-MC CVR
36	12074702		INSUL-R MC CVR V12074702
37	B5733302		CLIP-GROUND
38	10281601		SOCKET-SGL LIGHT
39	10270203		HOUSING-LIGHT V10270203
40	10270101		COVER, LIGHT
41	M0580007		GROMMET-SCREW
42	A4539601		SUB TO PC040010 - RIVET-POP VA4539601
43	M0581001		GROMMET-SCREW

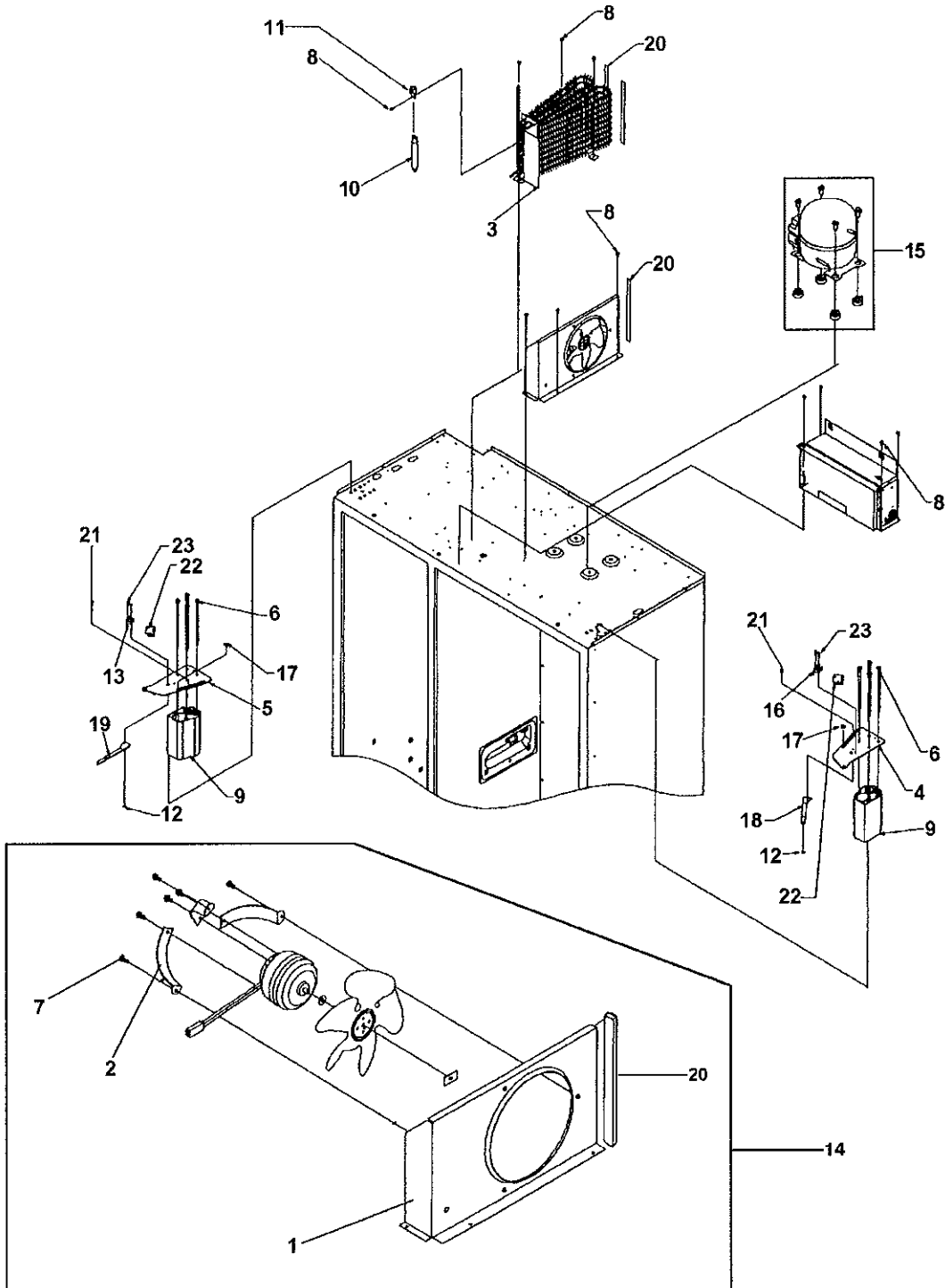




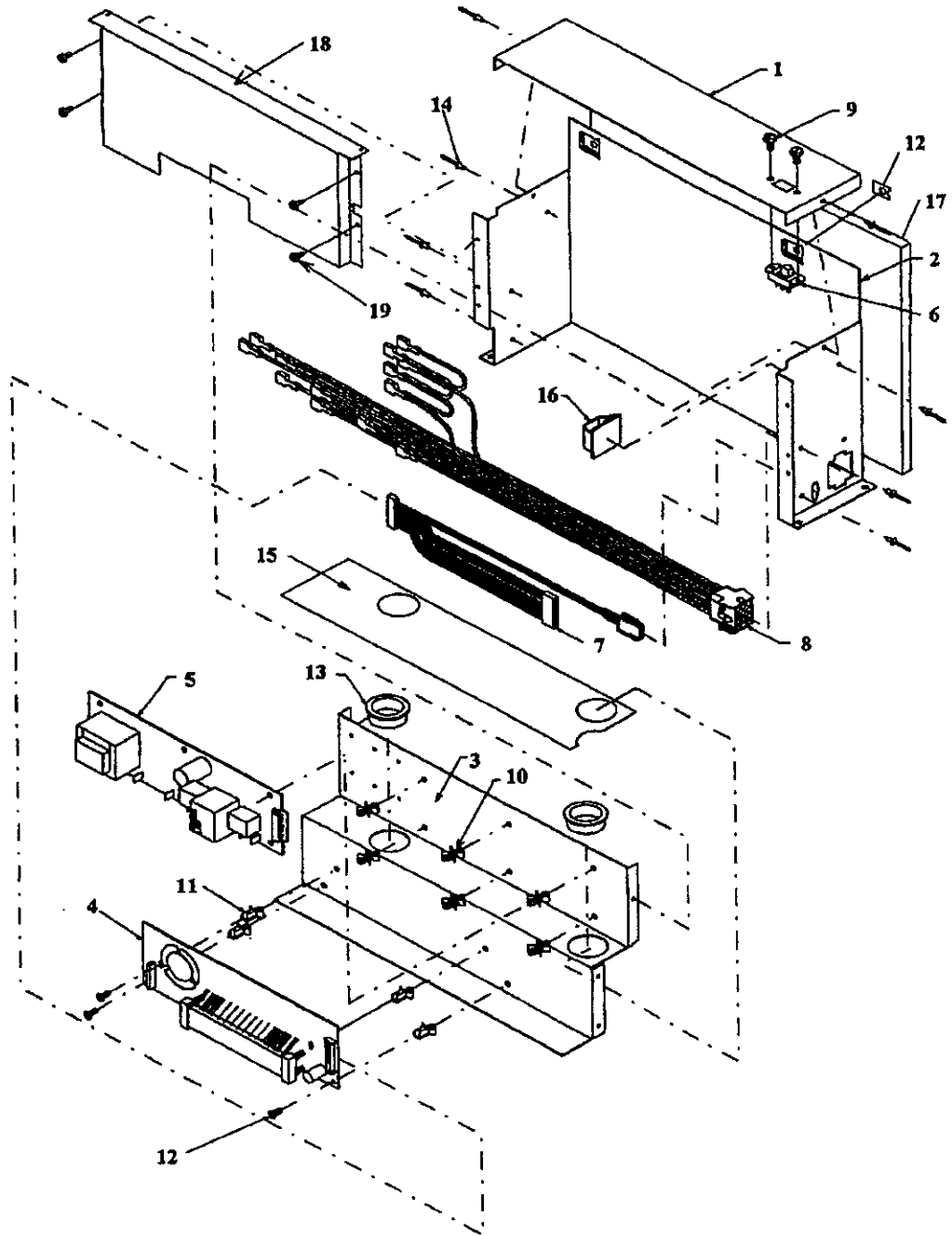
Ref #	Part Number	Qty.	Description
1	M0211018		SCREW-SM
2	PK930073		CLOSEOUT SIDE SXS 48 FZ L
3	M0213105		SCREW-SM
4	M0213531		SCREW-SM
5	M0213503		SCREW-SM
6	M0238616		SCREW-SM
7	V12304301		CLOSEOUT-FZ SIDE NO.
8	PM910190		BASKET ASM FZ
9	PK930074		GLIDE SXS 48 FZ R
10	PK930075		GLIDE SXS 48 FZ L
11	12064701		PAD-GLIDE V12064701
12	PM910331		ICE BUCKET ASSY
13	PK930087		SUPPORT DRAWER SXS 48 L
14	V12073003		SUPPORT-R DRAWER NO.
15	V12223208		SUB TO - 000485-000 DELI LID ASSY 48/48D
16	12223304		DELI TOP ASSEMBLY
17	V12073304		DRAWER-DELI 48/48DISP
18	V12073401		KNOB-DELI CONT
19	12073501		TUBE-PLASTIC
20	12073506		TUBE-PLASTIC
21	V12073601		SLIDE-DELI CONT
22	V12231201		COVER-AIR CONTROL
23	12070501		GLIDE-DELI KNOB NO. V12070501
24	12073901		GLIDE-L SUPPORT V12073901
25	12073902		GLIDE-L DRAWER V12073902 -
26	12073903		GLIDE-R SUPPORT V12073903
27	12073904		GLIDE-R DRAWER V12073904
28	12196201		GSKT-CONTROL COVER
29	PK930079		SHELF COVER SXS 48 FZ
30	12258501		SUPPORT-SHELF
31	M0581001		GROMMET-SCREW
32	M0211021		SCREW-SM
33	M0238616		SCREW-SM
34	V12144302		CRISPER PAN ASSY 48/48 DISP
35	M0210417		SCREW, SS SM
36	V12183901		DAIRY DRAWER ASSY 48/48D
37	V12144004		SHELF, REFRIGERATOR
38	PM910189		SHELF WIRE FZ
39	V12064501		GLIDE, LH CRISPER
40	V12064502		GLIDE, RH CRISPER
41	V12064601		GLIDE-CTR CRISPER NO.
42	12144003		SHELF, CRISPER
43	12064701		PAD-GLIDE V12064701



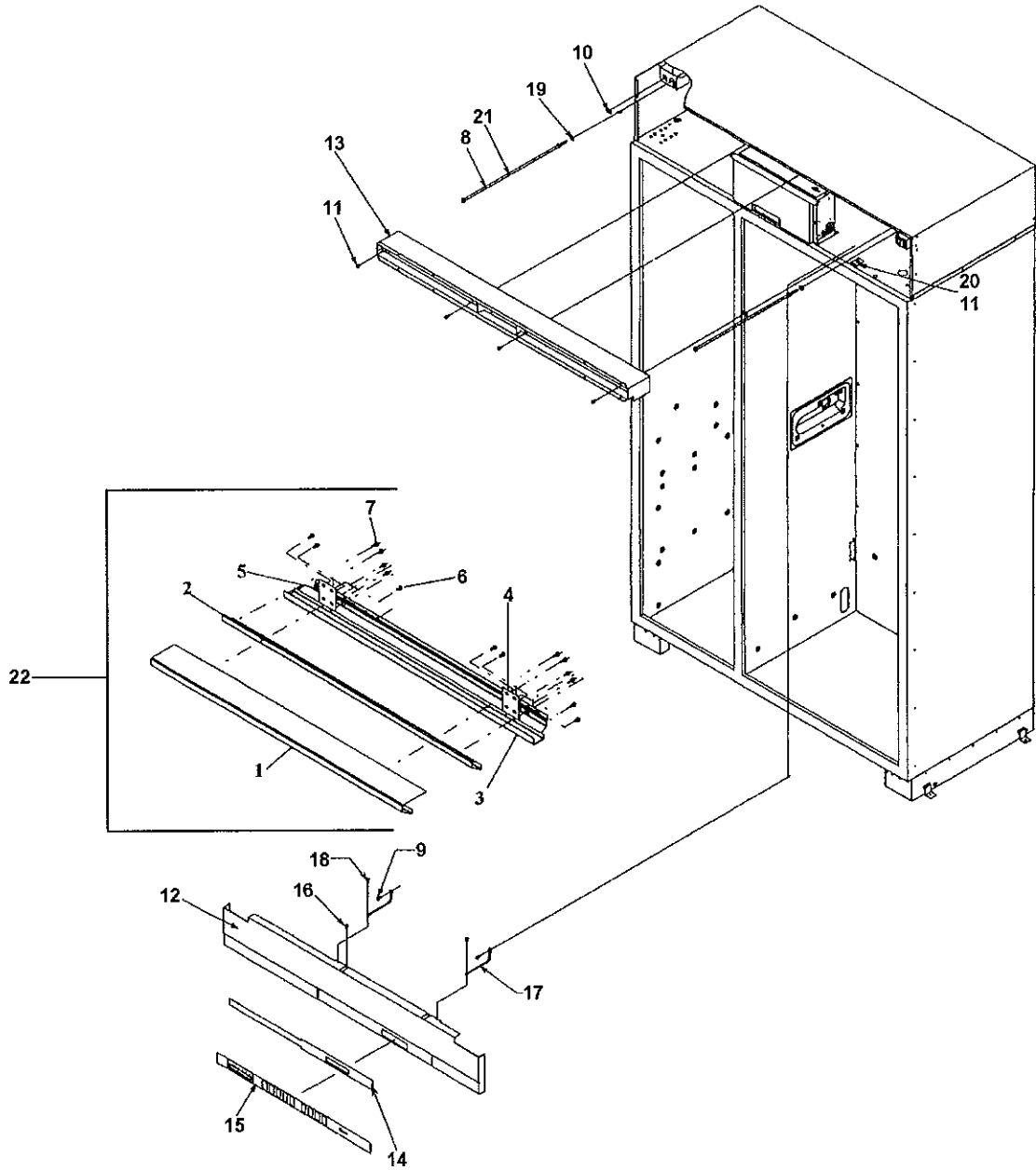
Ref #	Part Number	Qty.	Description
1	M0232903		SCREW-SE
2	M0238616		SCREW-SM
3	L2097181		COVER EVAP UPPER SXS 48
4	L2097182		COVER EVAP LOWER SXS 48
5	12231701		LADDER-FZ L/R SIDE
6	12233801		GASKET-FZ LADDER
7	PK930150		COVER CTR EVAP
8	K2096461		BRKT-EVAP COVER 12234801
9	C8983701		THERMISTOR
10	L2196411		BRACKET, EVAPORATOR FAN
11	10623003		CLIP-EVAP
12	M0232903		SCREW-SE
13	A3030361		GASKET, RED
14	A3030303		GASKET
15	10527401		CLIP-EVAP
16	A3189370		GASKET-FOAM VA3189370
17	M0238859		SCREW-SHLDR
18	K2096457		BRKT-R-EVAP FAN 12223101
19	K2096458		BRKT-L-EVAP-FAN 12223102
20	M0232929		SCREW-SE
21	K2096456		BRKT-EVAP CLIP 12215101
22	A3189368		GASKET-FOAM VA3189368
23	G5098660		FAN EVAP ASM
24	12234001		GROMMET-VIBRATION
25	PM910169		SHROUD EVAP FAN
26	K2196412		BRKT-MTR/SHROUD 10771801
27	M0224416		SCREW-SM
28	PM910206		EVAPORATOR SXS 48
29	10442407		THERMOSTAT 10442411
30	A3030302		GASKET, GRN
31	PB920155		HEAT EXCHANGER ASM SXS 48
32	10428101		CLIP-EVAP HTR V10428101
33	A1017202		GROMMET-FAN VA1017202
34	PJ910031		HEATER EVAP SXS



Ref #	Part Number	Qty.	Description
1	K2196428		SHROUD, COND FAN
2	10582501		BRKT-COND MTR V10582501
3	G5096495		GASKET, REF DOOR
4	PC920064		RIGHT TOP HINGE ASSEMBLY
5	PC920065		TOP HINGE ASSY(VCBB362LSS)
6	M0206313		SCREW-MACH
7	M0223816		SCREW-TR
8	M0238616		SCREW-SM
9	12067901		EXTRSN-TOP HINGE V12067901
10	10743201		DRIER, HI SIDE
11	10547001		CLIP-DRIER V10547001
12	40370P01		NYLON FLAT WASHER V40370P01
13	PE950122		SWITCH
NI	G5098300		INVERTER ASSEMBLY
14	G5096494		COND. FAN ASSY
15	G5097976		COMPRESSOR ASSEMBLY (363 AND 483)
16	PE950121		SWITCH
17	12348701		BUMPER-DOOR STOP V12348701
18	PC920066		ARM, DOOR STOP, RH
19	PC920068		ARM DOOR STOP LH
20	A3189370		GASKET-FOAM VA3189370
21	M0220942		SCREW-SHLDR
22	12140701		COVER-SWITCH V12140701
23	M0234005		SCREW-TF
NI	M0104106		CLIP-CORD VM0104106
NI	M0232903		SCREW-SE
NI	M0211018		SCREW-SM
NI	M0234030		SCREW-TR
NI	10522103		MOTOR-PSC V10522103
NI	B5742603		BLADE-FAN

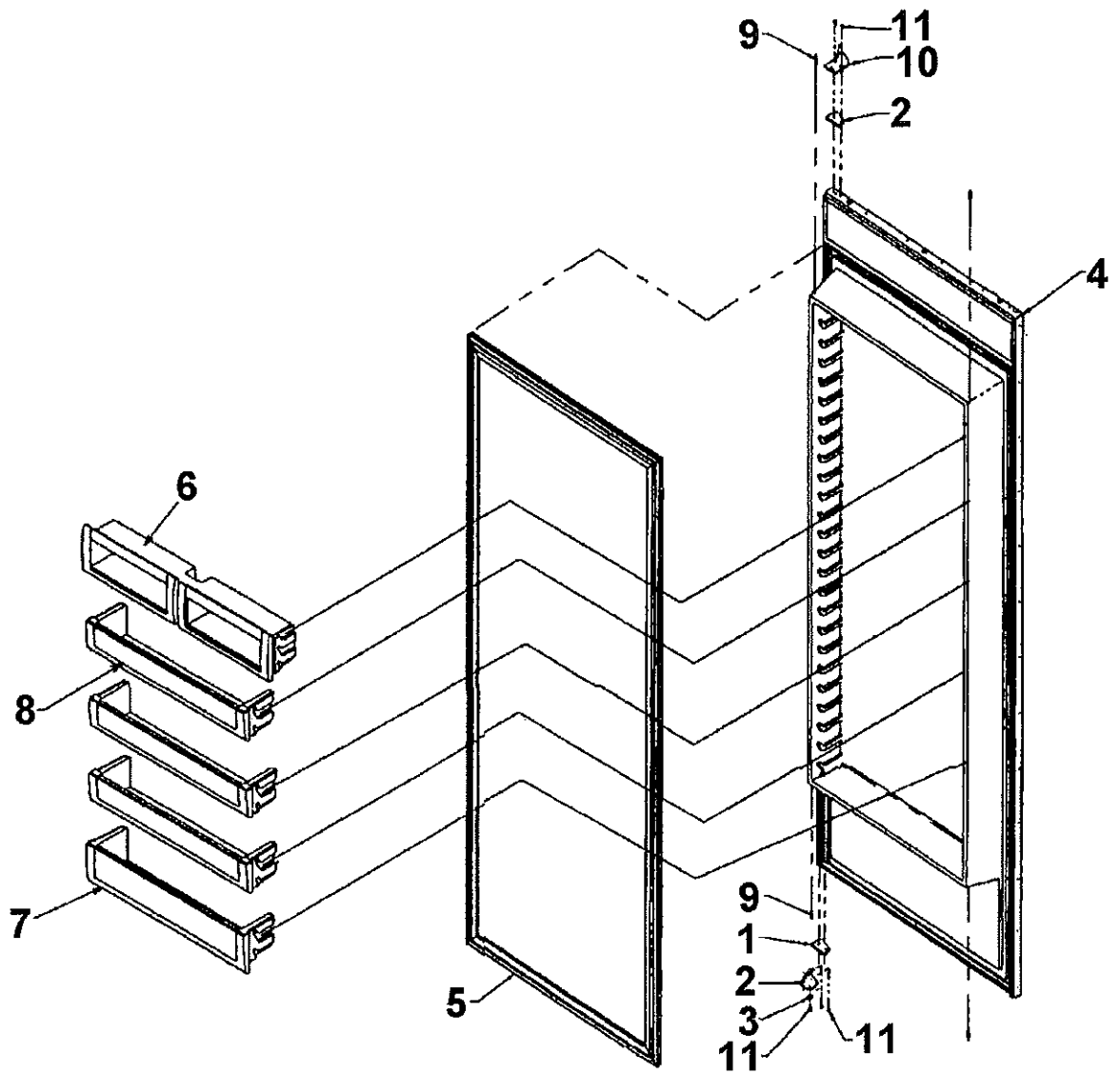


Ref #	Part Number	Qty.	Description
1	K2096429		SUB TO K2098657 - TOP-CONT BOX 12090801
2	K2097709		BOX CONTROL
3	K2096430		BRKT-PC 12090901
4	G50911836		HIGH VOLTAGE BOARD (BEFORE 01/22/05)
	G50911825		LOW VOLT BOARD KIT (G SERIES)
5	G50911836		HIGH VOLTAGE BOARD (BEFORE 01/22/05)
	PE970463		POWER CONTROL BOARD
6	10544502		SWITCH-SLIDE GRN
7	PE970464		HARNES LOW VOLT (FOR KIT LV BOARD ONLY)
8	PE970609		HARNES CONTROL BOARD (FOR PE970363 ONLY)
9	M0223816		SCREW-TR
10	M0585504		SUPPORT
11	M0585506		SUPPORT
12	M0217204		SCREW, SM
13	A4554817		BUSHING-SNAP VA4554817
14	A4539601		SUB TO PC040010 - RIVET-POP VA4539601
15	12117201		FILM-PROTECTIVE
16	M0104106		CLIP-CORD VM0104106
17	12074703		INSUL-CONT BOX V12074703
18	K2096431		FRONT-CONT PANEL 12091001
19	M0238616		SCREW-SM
20	M0288120		NUT-SPEED, VM0288120

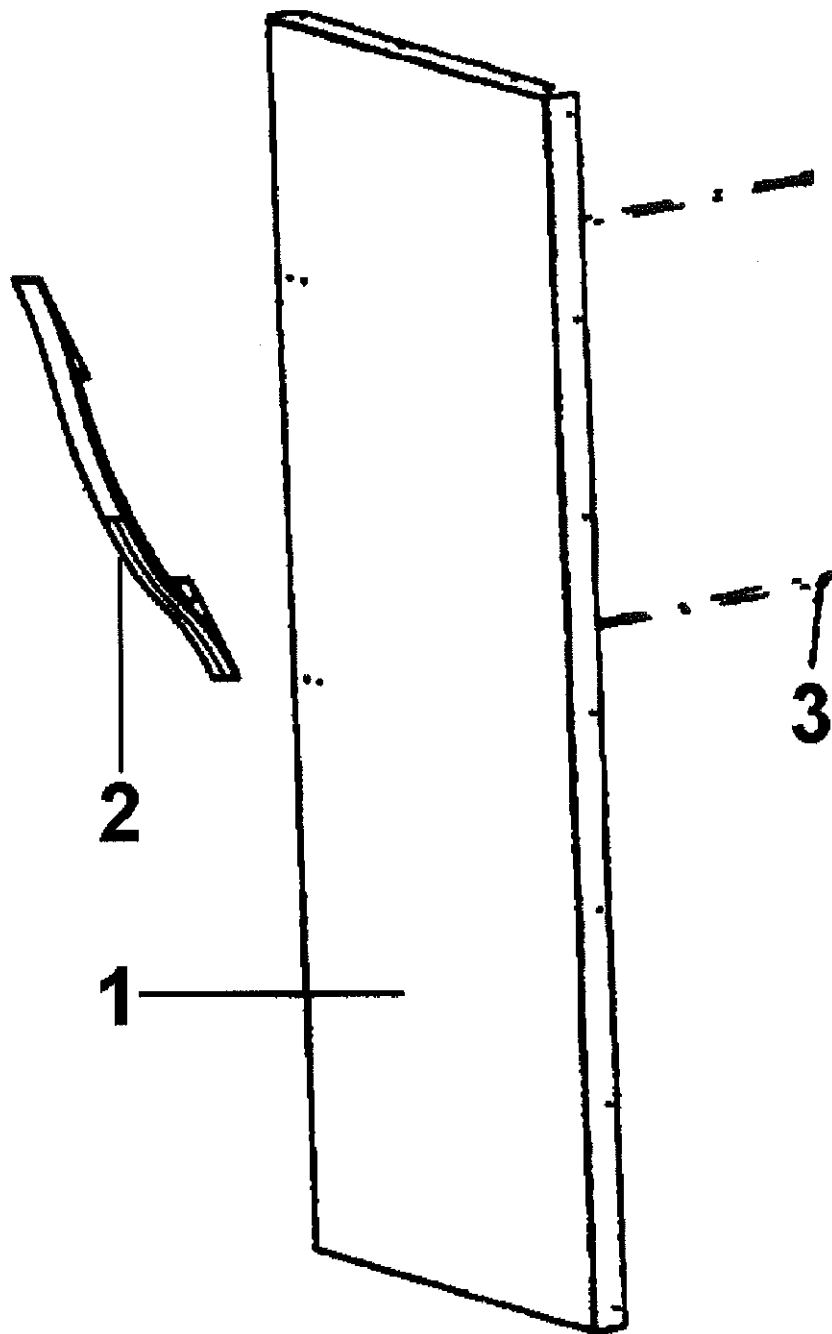




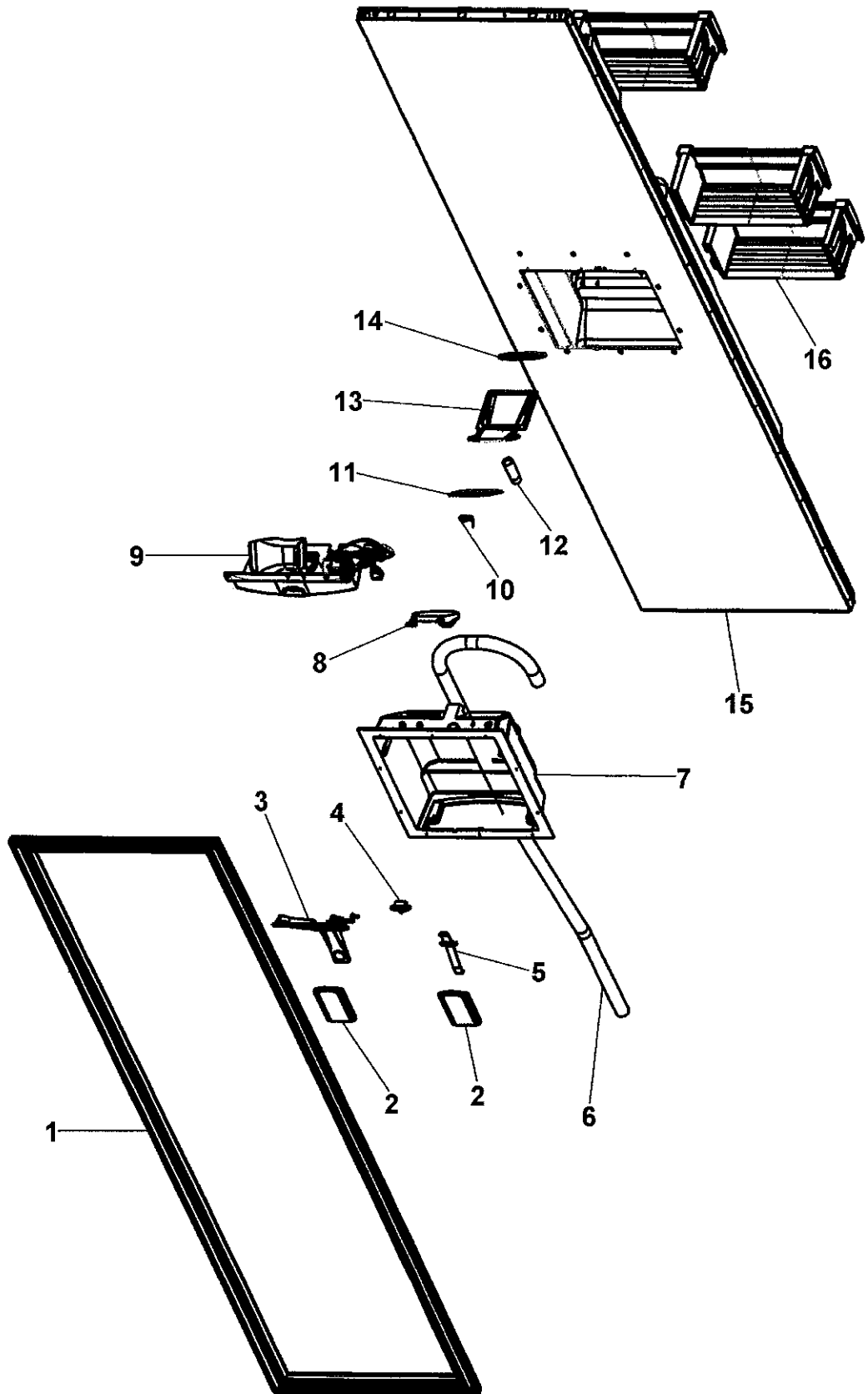
Ref #	Part Number	Qty.	Description
1	PM910074		GRILL TOP
2	PM910076		GRILLE MIDDLE 48 SXS
3	PM910078		GRILL BOTTOM
4	B2096961		BRACKET-LOUVER
5	PM910084		SUPPORT GRILLE 12201201
6	M0220417		SCREW-TC
7	A4539601		SUB TO PC040010 - RIVET-POP VA4539601
8	M0223603		SCREW-LAG
9	M0238846		SCREW-SHLDR
10	M0288120		NUT-SPEED, VM0288120
11	M0238616		SCREW-SM
12	PE940183		COVER CONT PANEL
13	G9096487BK		AIR DUCT WELD ASSY
14	12235201		SWITCH-KEYBOARD
15	12201604		OVERLAY, KEYBOARD
16	M0224128		SCREW-SM
17	12064001		SUPP-CONT PANEL
18	A4539601		SUB TO PC040010 - RIVET-POP VA4539601
19	M0270510		WASHER
20	12414701		BRKT-CONT COVER
21	12349301		BEARING-SLEEVE V12349301
22	G3296923		GRILLE ASSY 48 EXTRUDED (48 TRIM)
NI	PM910349		END CAP GRILLE L
NI	PM910348		ENP CAP GRILLE R



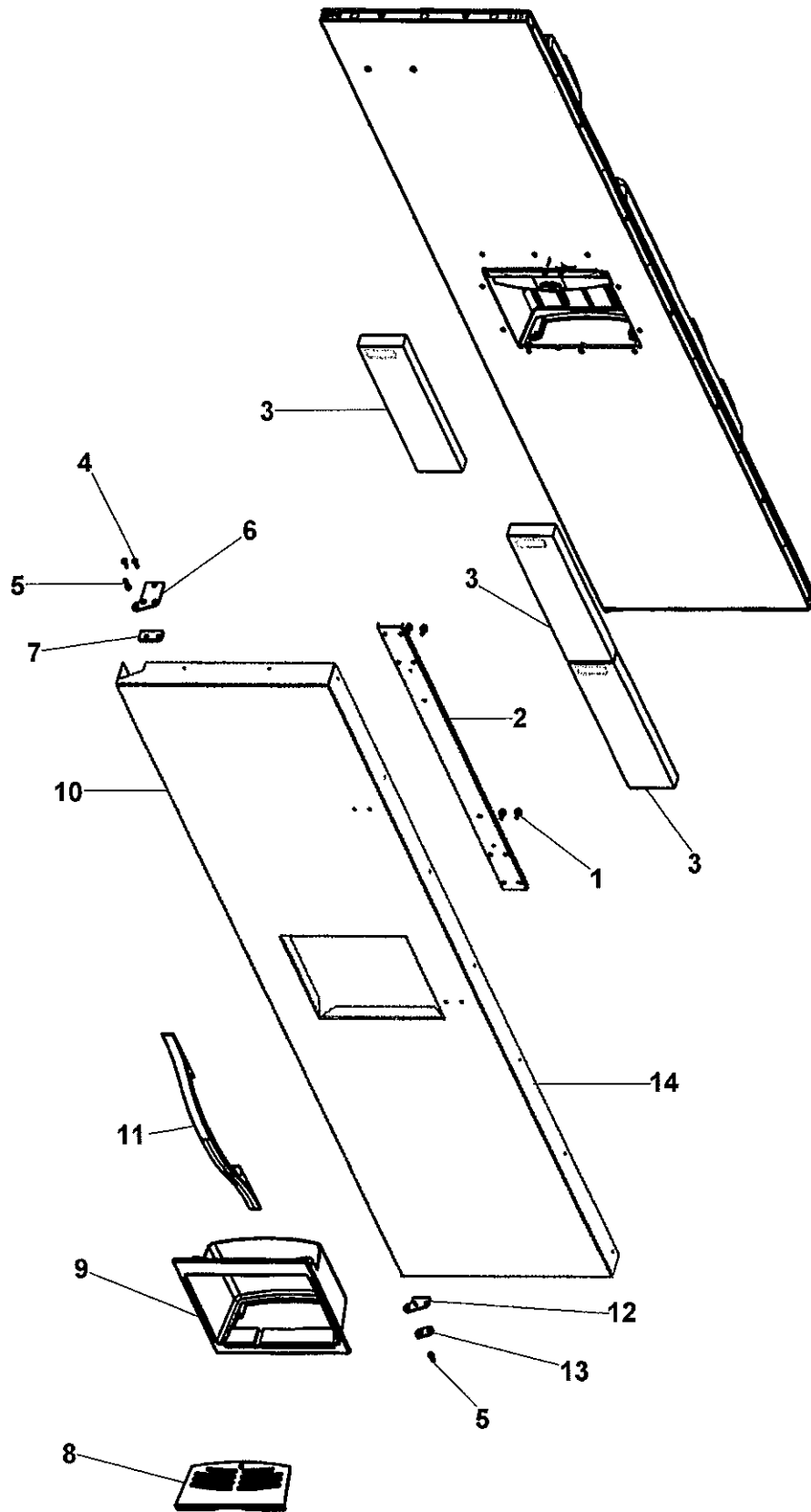
Ref #	Part Number	Qty.	Description
1	M0202528		SCREW-MACH NO.
2	PC920071		DOOR CLOSURE
3	M0272803		WASHER-LOCK
4	G5097703		DOOR ASM SXS 48 FF
5	PB070296		DOOR GASKET, 48 SXS FF SIDE CHARGE
6	V12203602		DAIRY MODULE ASM
7	V12192902		REF DR SHELF ASSY NO.
8	V12188002		DOOR SHELF ASSEMBLY
9	12128001		PLUG-INNER DOOR
10	PC920054		RIGHT UP PIVOT PLT ASSY
11	VM0226233		SCREW, TF
NI	12493705		SUB TO PE940176 - TRIM-SXS DR
NI	12493706		TRIM, REF. DOOR
NI	12493707		SUB TO PK930008 - TRIM-SXS FZ DR
NI	PD940087		SPACER DOOR SKIN-HINGE SIDE (75.1)
NI	M0210458		SCREW-SM



Ref #	Part Number	Qty.	Description
1	B2096942		RC SKIN DES SXS
	C9096942BK		DOOR SKIN, DES FC
	L2096942WH		SXS REFRIG. SKIN DES WH
	C9096942BT		DOOR SKIN, DES FC
	C9096942GG		DOOR SKIN, DES FC
	C9096942SG		DOOR SKIN, DES FC
2	PE030166		DESIGNER REFRIGERATOR HANDLE
	PE030166PVD		DESIGNER REFRIGERATOR HANDLE PVD
3	M0204303		SCREW-MACH
NI	10921223		BLOCK, EPS
NI	10921224		STYROFOAM BLOCK, REF. DOOR (QTY. 2)



Ref #	Part Number	Qty.	Description
1	PB070295		DOOR GASKET, 48 SXS FZ DISP
2	12221005		PAD ACTUATOR
3	PK930259		ARM, ICE ACTUATOR
4	PE950152		SWITCH SLIDE
5	12220301		ARM-WATER DISP NO.
6	PK930273		TUBE WIRE
7	V12348402		CAVITY DISPENSER
8	12220502		DISPENSER DOOR
9	PM910478		CAVITY COVER ASSEMBLY - BK (BEFORE 4/15/05) INCLUDES SWITCHES
10	12194803		SPRING, DISPENSER DOOR
11	12302201		ICE DEFLECTOR
12	PK930274		TUBE CONNECTOR
13	V12348201		CHUTE ICE
14	12193801		GASKET - ICE DR
15	G3297574		FREEZER DOOR ASSEMBLY
16	G5098676		DOORBIN ASM SXS 42 & 48 FZ
NI	PE970428		HARNES - FZ DR
NI	PK930145		CAP - BLACK SWITCH
NI	PE970484		HEATER CAVITY
NI	G50911859		DISPENSER WATER LINE SLEEVE SERVICE KIT





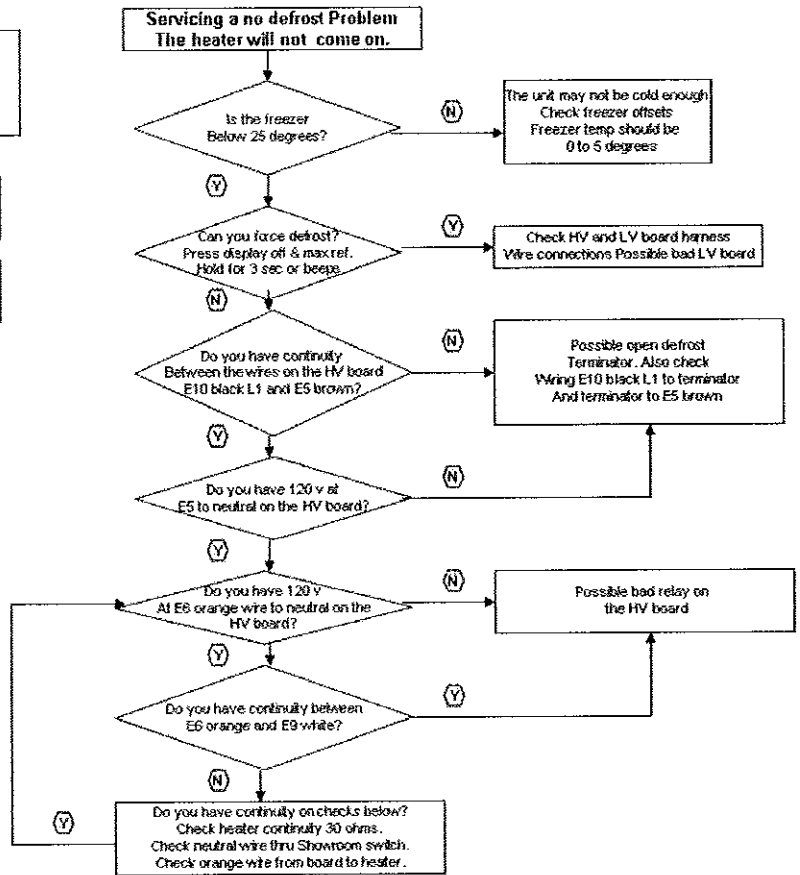
Ref #	Part Number	Qty.	Description
1	M0204303		SCREW-MACH
2	K2097526		BRACKET - HANDLE SUPPORT
3	10921223		BLOCK, EPS
4	M0226233		SUB TO PD920174 - 10 X 7/8 PHILLIPS SMA TRI LOBE SA
5	12043101S		PIVOT PIN
6	PC920159		PLATE PIVOT ASM LH UPPER
7	M6096628		SPCR HINGE REP V12530201/V12493901
8	PB980026		SPILL TRAY - I/W DISPENSER
9	PB910233		BEZEL I/W DISPENSER DESIGNER
10	B2098302		FC DES DES SXS
	C9098302BK		FC SKIN DES SXS XBKX
	L2098302WH		FC SKIN DES SXS XWHX
	C9098302BT		FC SKIN DES SXS XBTX
	C9098302GG		FC SKIN DES SXS XGGX
	C9098302SG		FC SKIN DES SXS XSGX
11	PE030092		FF/FZ DR. HANDLE - DESIGNER - XSSX
	PE030092PVD		FF/FZ DR. HANDLE - DESIGNER - BRASS
12	PC920052		HINGE TAP L LW REP V12119504
13	12055602		CLOSURE, DOOR



## Refrigeration

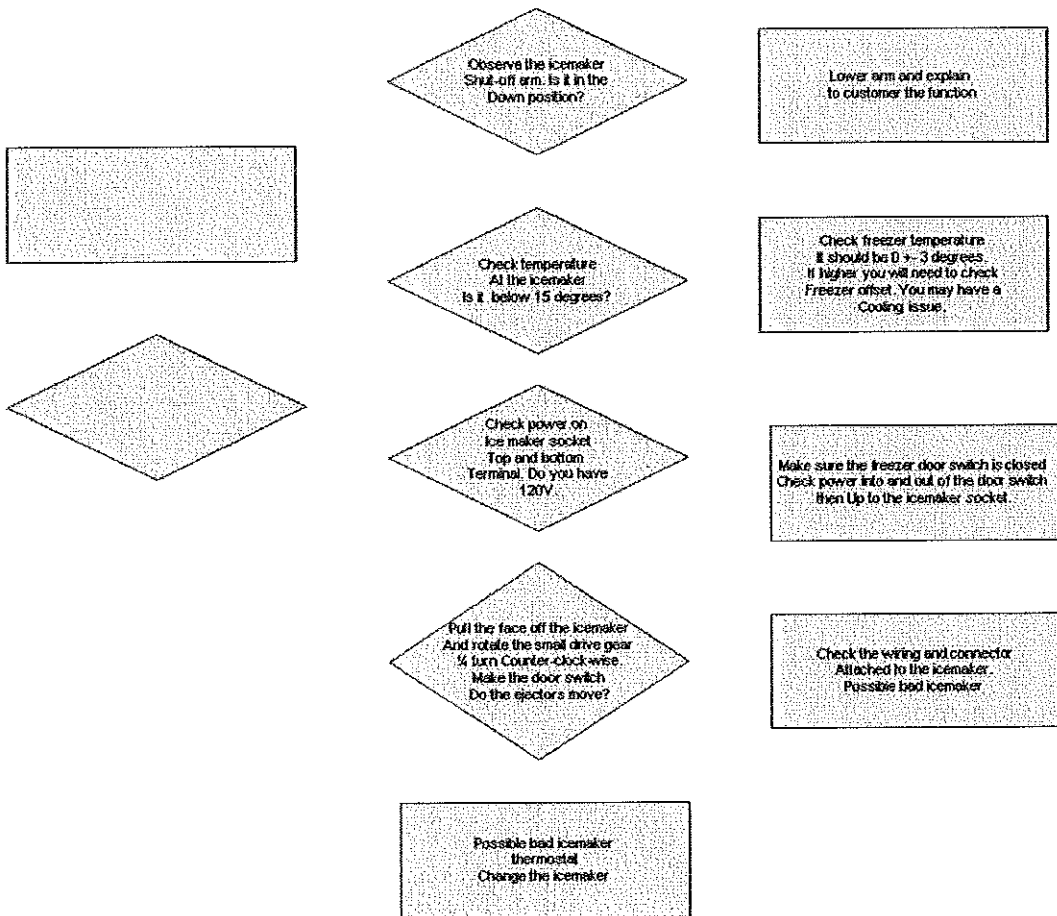
You must have a voltmeter that has ohm readings.

Do continuity checks with power off



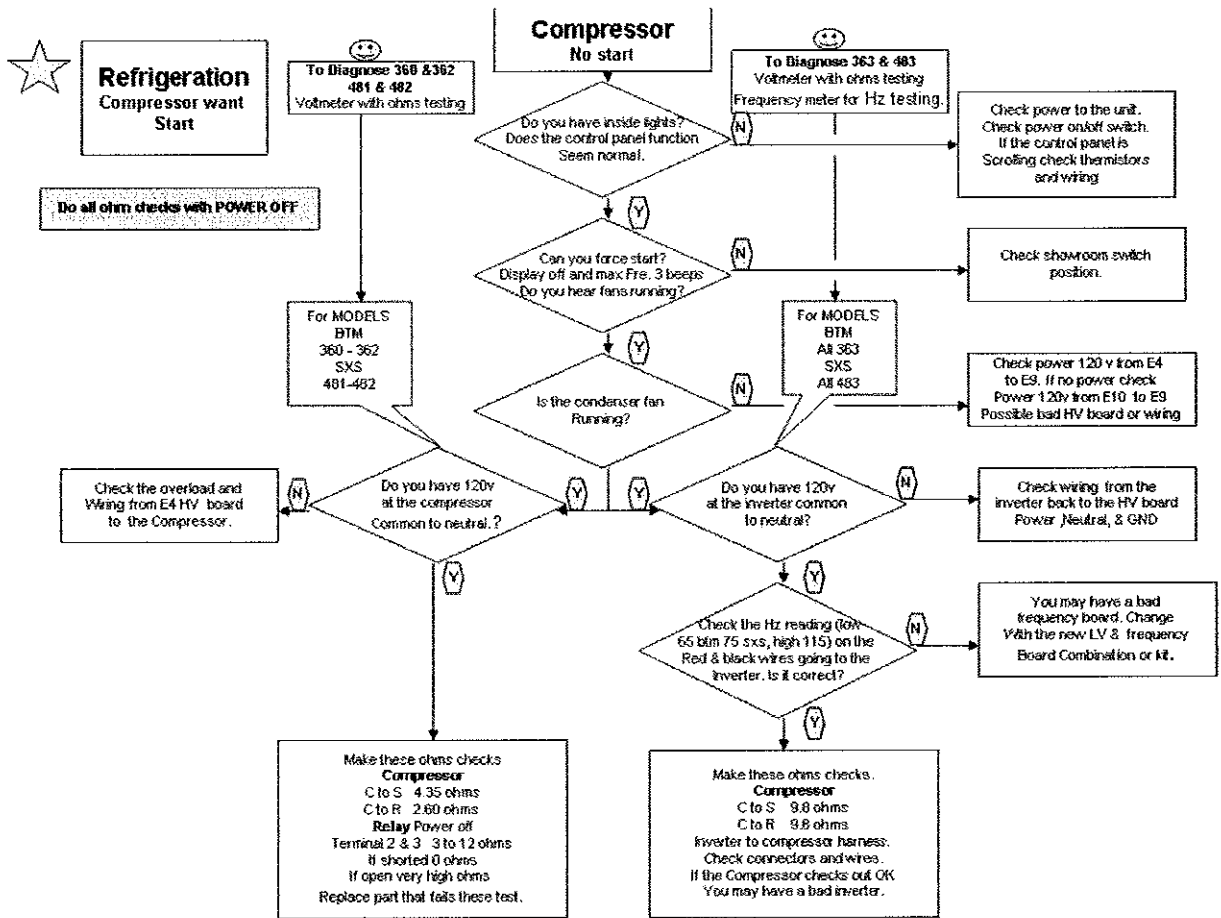
Ref #	Part Number	Qty.	Description
-------	-------------	------	-------------

---



Ref #	Part Number	Qty.	Description
-------	-------------	------	-------------

---



Ref #	Part Number	Qty.	Description
-------	-------------	------	-------------

---