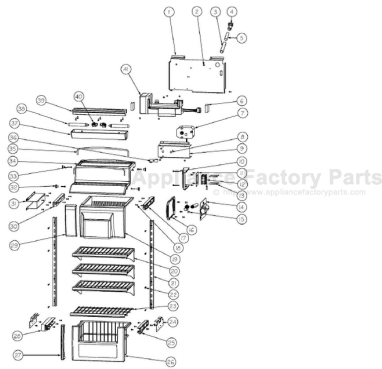


This Owner's Manual is provided and hosted by [Appliance Factory Parts](http://ApplianceFactoryParts.com).



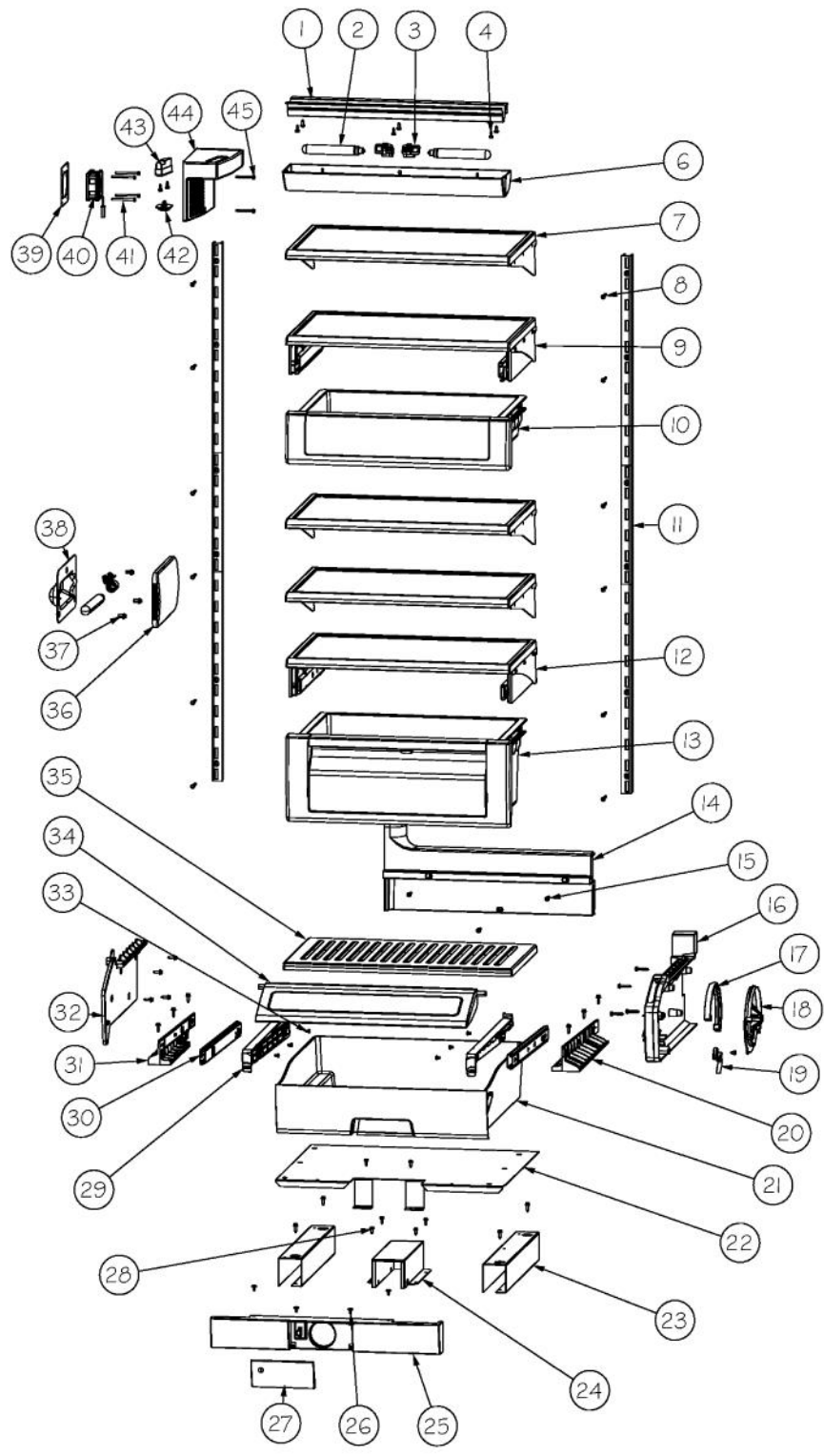
VIKING DDSB542D Owner's Manual

[Shop genuine replacement parts for VIKING DDSB542D](#)

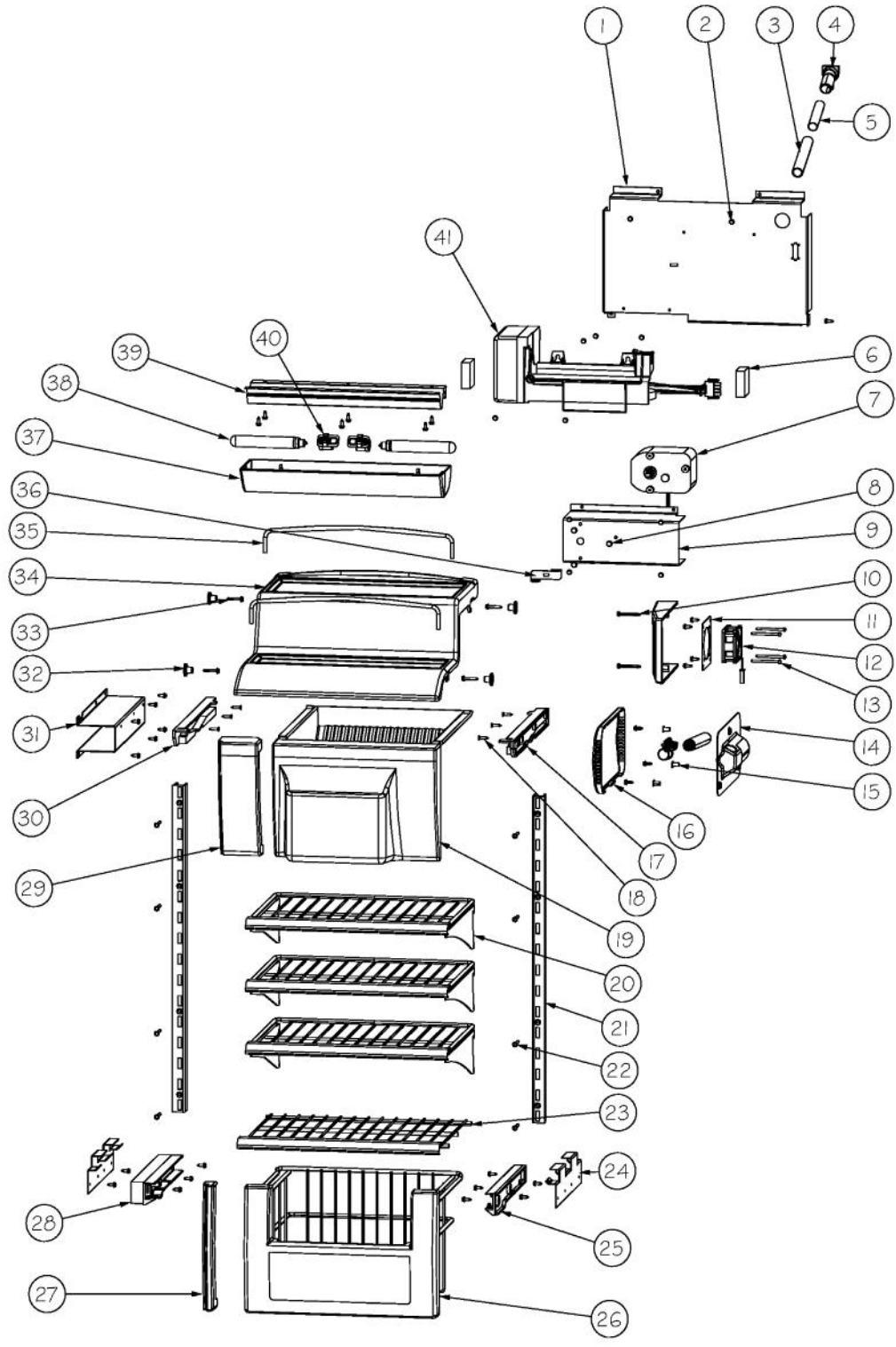


[Find Your VIKING Refrigerator Parts - Select From 341 Models](#)

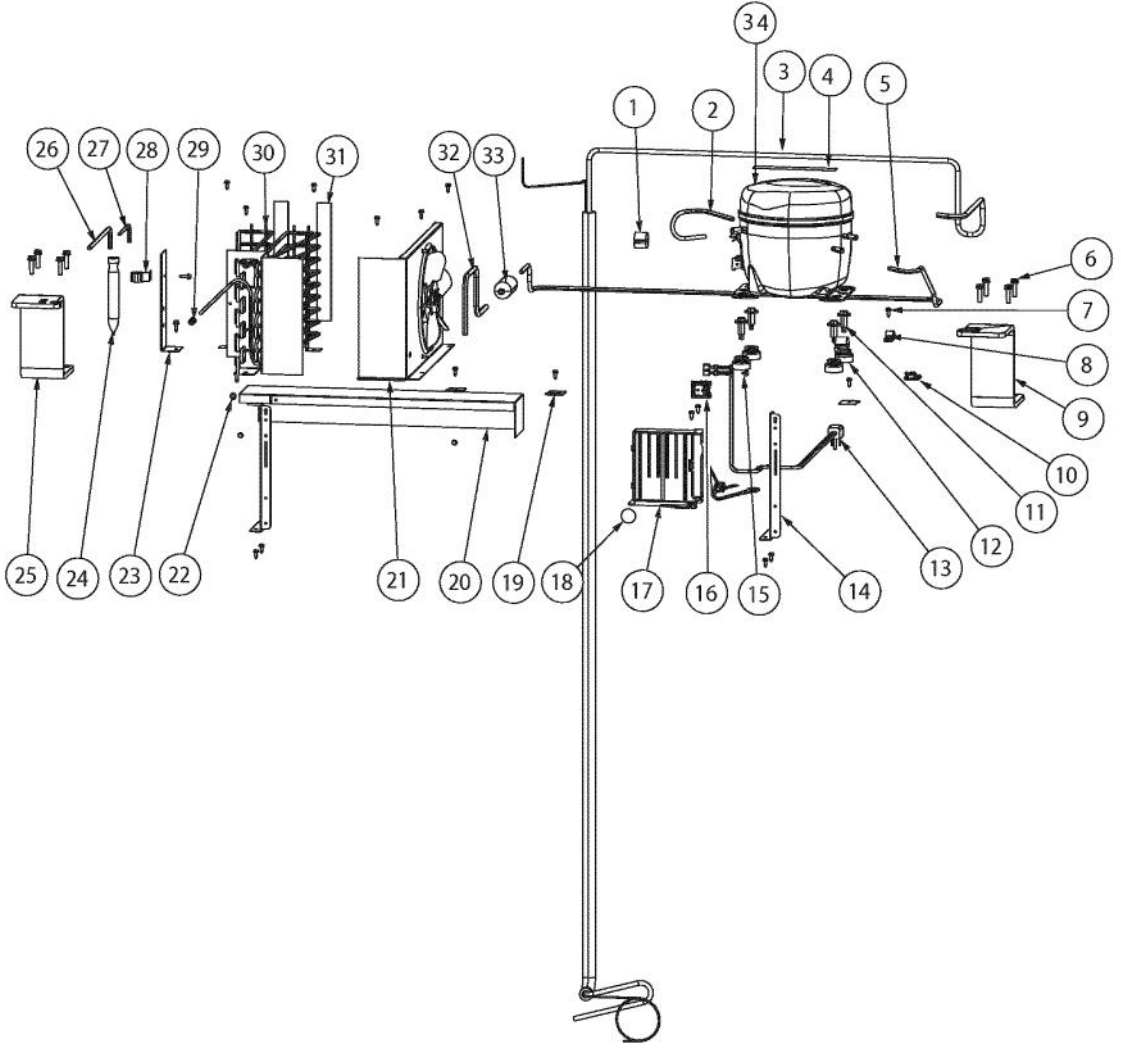
----- Manual continues below -----



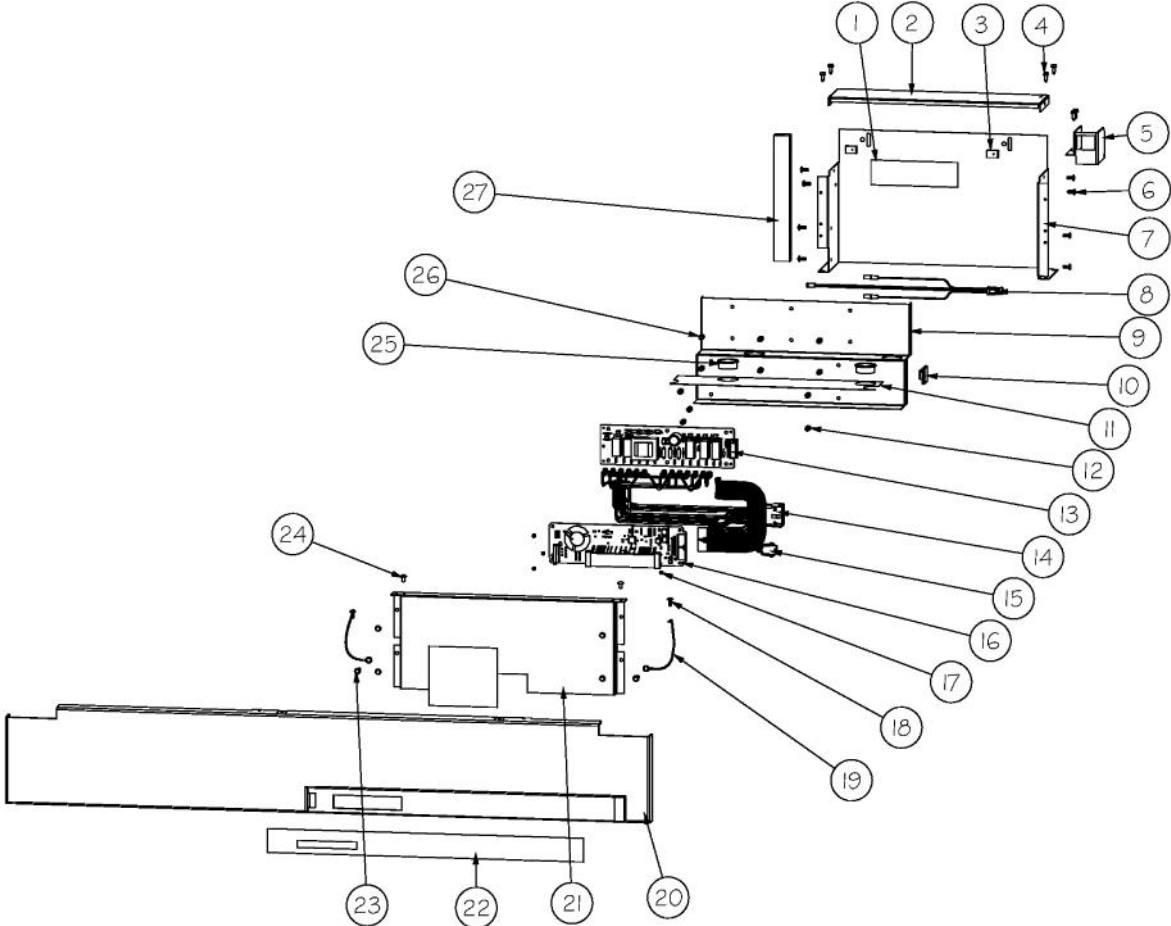
| Ref # | Part Number | Qty. | Description |
|-------|-------------|------|--------------------------------------|
| 1 | L2099474 | 1 | BRACKET LIGHT SXS 42 FF |
| 2 | A3079001 | 3 | LAMP - 40W |
| 3 | PE950125 | 3 | LIGHT SOCKET |
| 4 | PD020195 | 24 | SCR 8-18 X 5/8 |
| 5 | PD020193 | 1 | SCR 8-18 X 3/8 |
| 6 | PK930115 | 1 | COVER LIGHT ASM SXS 42 FF |
| 7 | PM910350 | 3 | SHELF ASM GLASS SXS 42 FF |
| 8 | M0238535 | 12 | SCREW-SM |
| 9 | G5099426 | 1 | SHELF & SLIDE ASM SXS 42 |
| 10 | G32910068 | 1 | DRAWER DELI & RAIL ASM SXS 42 |
| 11 | PM910227 | 2 | LADDER RS REF |
| 12 | G5099965 | 1 | SHELF AND SLIDE ASM SXS 42 |
| 13 | 012809-000 | 1 | PRODUCE DRAWER & RAIL ASM SXS 42 |
| 14 | PK930171 | 1 | DUCT MEAT SAVOR SXS 42 REAR |
| 15 | M0211021 | 3 | SCREW-SM |
| 16 | PK930169 | 1 | DUCT MEAT SAVOR SXS 42/48 R |
| 17 | PK930172 | 1 | COVER CONTROL MEAT SAVOR |
| 18 | PK930168 | 1 | DAIL CONTROL MEAT SAVOR |
| 19 | PM910334 | 1 | ROLLER TENSION |
| 20 | PK930173 | 1 | SUPPORT SLIDE MEAT SAVOR SXS 42/48 R |
| 21 | PK930114 | 1 | DRAWER MEAT SAVOR SXS 42 |
| 22 | L2099251 | 1 | FLOOR FALSE 42 SXS DISP |
| 23 | K20913096 | 2 | BRACKET FALSE FLOOR |
| 24 | L20915031 | 1 | COVER WATER FILTER 42/48 DISP |
| 25 | PK930237 | 1 | COVER FALSE FRONT 42 SXS DISP |
| 26 | PD020032 | 4 | SRW-8(A)X3/8PH.WFR HD 7/16DIAXNICL |
| 27 | PK930313 | 1 | COVER WATER FILTER SXS DISP |
| 28 | PD020194 | 4 | SCREW-SM |
| 29 | PK930176 | 1 | SUPPORT DRAWER MEAT SAVOR 42/48 L |
| 30 | PM910288 | 1 | SLIDE MEAT SAVOR L |
| 31 | PK930174 | 1 | SUPPORT SLIDE MEAT SAVOR SXS 42/48 L |
| 32 | PK930170 | 1 | DUCT MEAT SAVOR SXS 42 L |
| 33 | PD920162 | 2 | SCR 8-16 PLASTITE PNP 1/4 S |
| 34 | 009913-000 | 1 | MEAT SAVOR DOOR 42/42D |
| 35 | PK930120 | 1 | SHELF MEAT SAVOR SXS 42 |
| 36 | PK930346 | 1 | COVER LIGHT |
| 37 | M0580007 | 3 | GROMMET-SCREW |
| 38 | 10270203 | 1 | HOUSING-LIGHT V10270203 |
| 39 | 007302-000 | 1 | BRACKET,FAN |
| 40 | 004551-000 | 1 | AXIAL FAN |
| 41 | M0221913 | 4 | SCREW-SM |
| 42 | C8983701 | 1 | THERMISTOR |
| 43 | 010093-000 | 1 | PLASMA CLUSTER |
| 44 | 012312-000 | 1 | FAN COVER SXS |
| 45 | PD020188 | 2 | SCR 8-18 BT HXWS 1 1/2 |



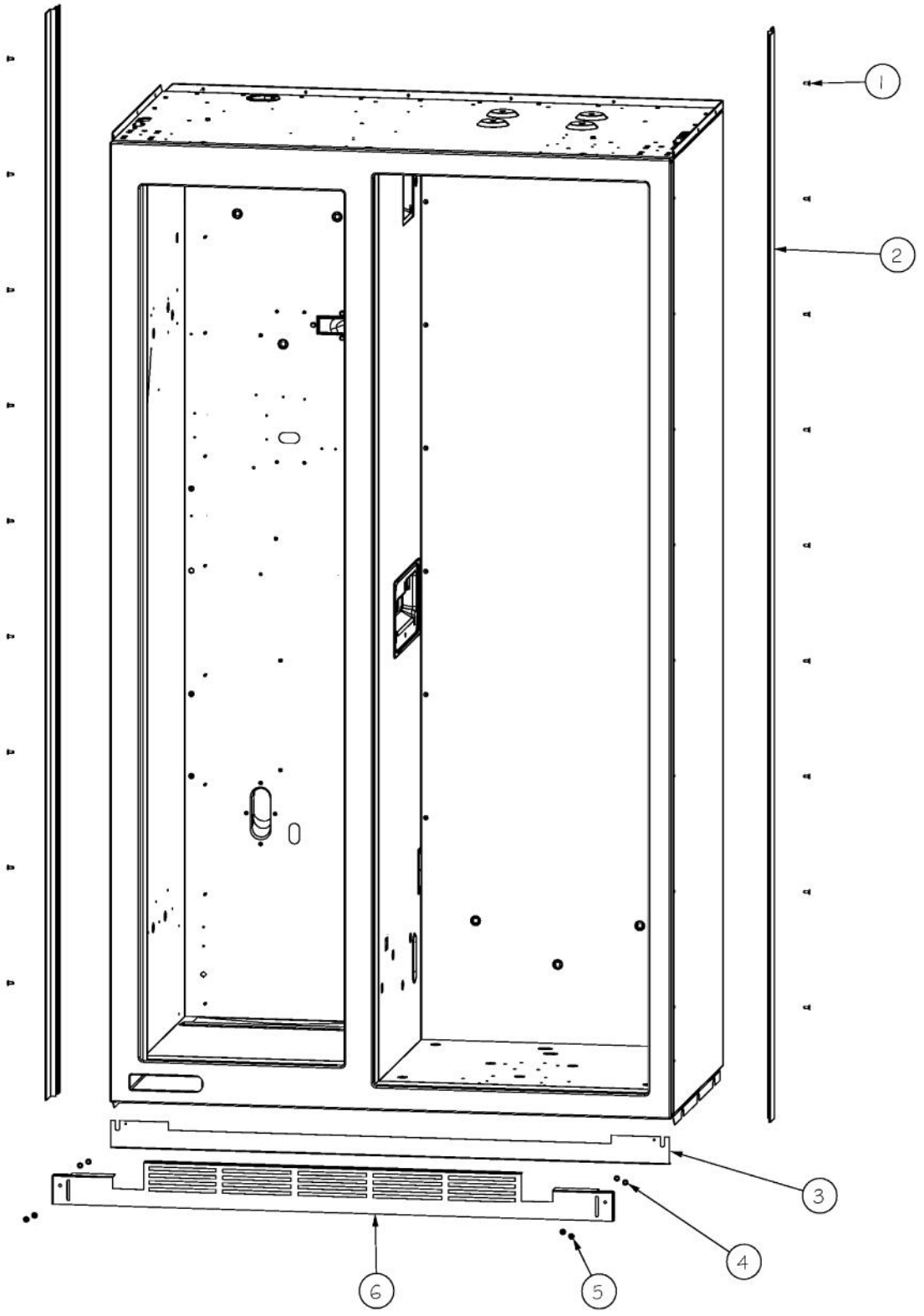
| Ref # | Part Number | Qty. | Description |
|-------|-------------|------|-----------------------------|
| 1 | C90910058 | 1 | UPPER EVAPORATOR COVER |
| 2 | PD020194 | 41 | SCREW-SM |
| 3 | PB920220 | 1 | EXT FILL TUBE |
| 4 | 10276601 | 1 | ELBOW-FILLER TUBE |
| 5 | PK030436 | 1 | FILL TUBE |
| 6 | PB970176 | 2 | GASKET UPPER EVAP COVER |
| 7 | PE950158 | 1 | MOTOR AUGER |
| 8 | PD020191 | 1 | SCR. NO. 10 PLAS HXW 1/2 S |
| 9 | C90914113 | 1 | BRACKET - AUGER MOTOR |
| 10 | PD020188 | 2 | SCR 8-18 BT HXWS 1 1/2 |
| 11 | 007302-000 | 1 | BRACKET,FAN |
| 12 | 004551-000 | 1 | AXIAL FAN |
| 13 | M0221913 | 4 | SCREW-SM |
| 14 | 10270203 | 1 | HOUSING-LIGHT V10270203 |
| 15 | M0580007 | 3 | GROMMET-SCREW |
| 16 | PK930346 | 1 | COVER LIGHT |
| 17 | PK930265 | 1 | GLIDE R FZ |
| 18 | M0213503 | 6 | SCREW-SM |
| 19 | PM910331 | 1 | ICE BUCKET ASSY |
| 20 | PM910189 | 3 | SHELF WIRE FZ |
| 21 | PM910375 | 2 | LADDER R/L FZ |
| 22 | M0238535 | 6 | SCREW-SM |
| 23 | PM910231 | 1 | FZ FIXED BASKET ASSEMBLY |
| 24 | L20910067 | 2 | FZ SHELF BRACKET |
| 25 | PK930074 | 1 | GLIDE SXS 48 FZ R |
| 26 | PM910190 | 1 | BASKET ASM FZ |
| 27 | PK930107 | 1 | FZ BASKET SIDE SPACER FRONT |
| 28 | PK930075 | 1 | GLIDE SXS 48 FZ L |
| 29 | PK930096 | 1 | CLOSEOUT - ICE DISPENSER |
| 30 | PK930266 | 1 | GLIDE L FZ |
| 31 | C20910027 | 1 | SUPPORT, LS ICE BUCKET |
| 32 | 12258501 | 4 | SUPPORT-SHELF |
| 33 | M0211021 | 4 | SCREW-SM |
| 34 | PK930264 | 1 | SHELF COVER |
| 35 | PM910435 | 2 | RETAINER WIRE |
| 36 | B20911863 | 1 | DRIVER - ICE BUCKET RNG |
| 37 | PK930116 | 1 | COVER LIGHT ASM SXS 42 FZ |
| 38 | A3079001 | 3 | LAMP - 40W |
| 39 | L2099475 | 1 | BRACKET LIGHT SXS FZ |
| 40 | PE950125 | 3 | LIGHT SOCKET |
| 41 | G50911855 | 1 | ICE MAKER ASM, DISP |



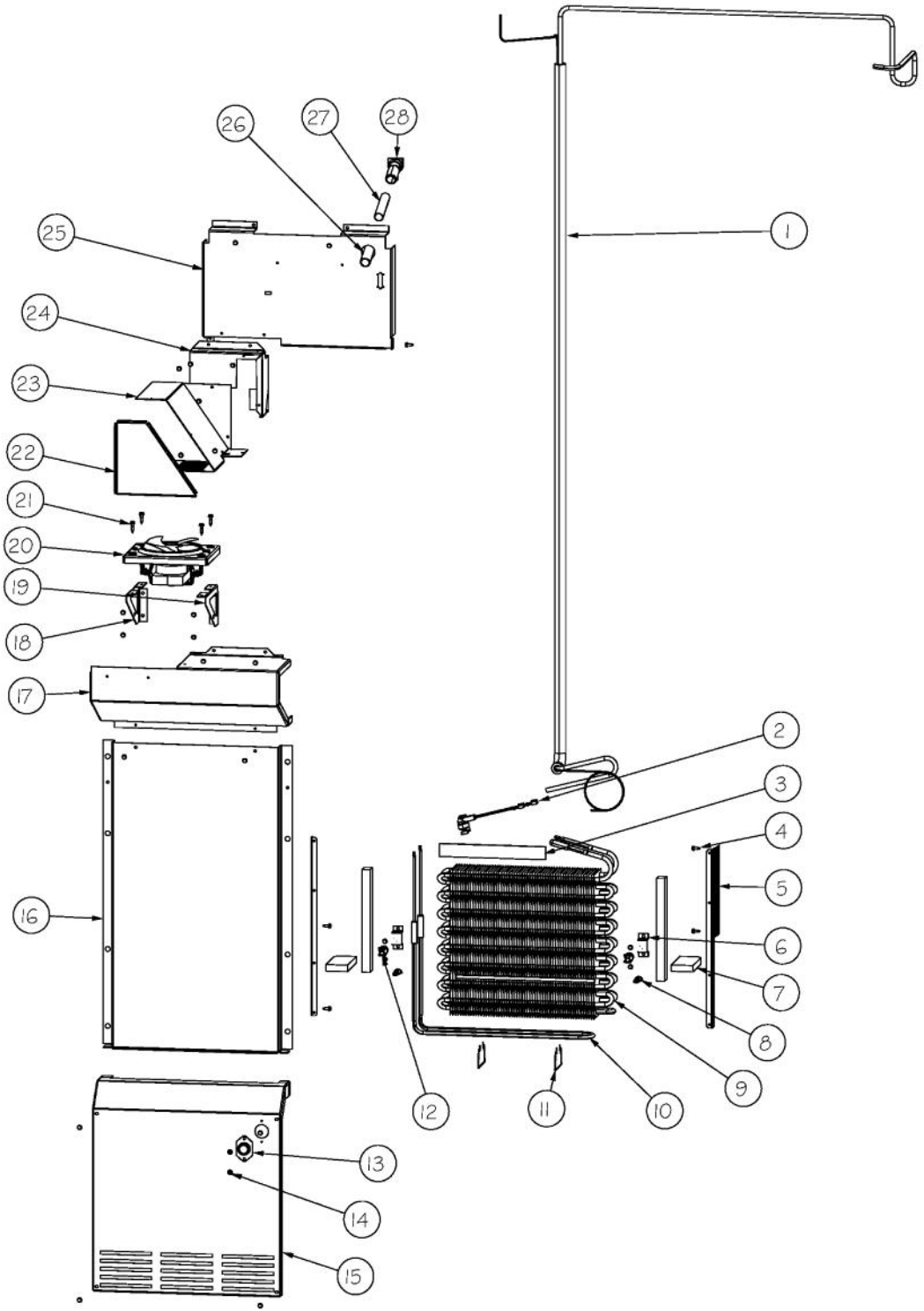
| Ref # | Part Number | Qty. | Description |
|-------|-------------|------|----------------------------------|
| 1 | 10699601 | 2 | DAMPER-TUBING .8 |
| 2 | F2096507 | 1 | TUBE-PROCESS GRN |
| 3 | F2097793 | 1 | TUBE FORMED HT EXCH |
| 4 | C8982701 | 1 | LABEL-COMP WARN |
| 5 | F2099443 | 1 | TUBE DISCHARGE FORMED PRE ACCUM |
| 6 | 000570-000 | 8 | HEX SCREW |
| 7 | PD020195 | 20 | SCR 8-18 X 5/8 |
| 8 | PD030118 | 1 | SCREW - SHLDR |
| 9 | PC920203 | 1 | HINGE ASM UR |
| 10 | M0104106 | 1 | CLIP-CORD VM0104106 |
| 11 | M0221523 | 4 | SCREW - SHLDR |
| 12 | 10835901 | 4 | GROMMET RUBBER V10835901 |
| 13 | 10916507 | 1 | TUBE-PROCESS GRN |
| 14 | K20912569 | 2 | BRACKET GRILLE SUPPORT |
| 15 | M0211014 | 1 | SCREW-SM |
| 16 | PE950149 | 1 | SWITCH POWER |
| 17 | 002574-000 | 1 | INVERTER COMPRESSOR |
| 18 | PF930682 | 1 | LABEL WARNING INVERTER |
| 19 | K2096943 | 3 | PANEL BRACKET |
| 20 | K20912585 | 1 | DIVERTER AIR HI SIDE SXS |
| 21 | G5096494 | 1 | COND. FAN ASSY |
| 22 | 007408-000 | 1 | RING,LOK, .250 DIA |
| 23 | K2099454 | 1 | BRACKET DRIER |
| 24 | PM910381 | 1 | DRIER - HIGH SIDE |
| 25 | PC920193 | 1 | HINGE ASSEM UPPER RH |
| 26 | F2097740 | 1 | TUBE PROCESS |
| 27 | F2096504 | 1 | TUBE-DRIER EXT |
| 28 | 10547001 | 1 | CLIP-DRIER V10547001 |
| 29 | 007407-000 | 1 | RING,LOK, .187 DIA |
| 30 | PB920171 | 1 | CONDENSER ASM |
| 31 | A3189370 | 2 | GASKET-FOAM VA3189370 |
| 32 | F2099444 | 1 | TUBE DISCHARGE FORMED POST ACCUM |
| 33 | PB920201 | 1 | ACCUMULATOR |
| 34 | PM010619 | 1 | COMPRESSOR VCC |



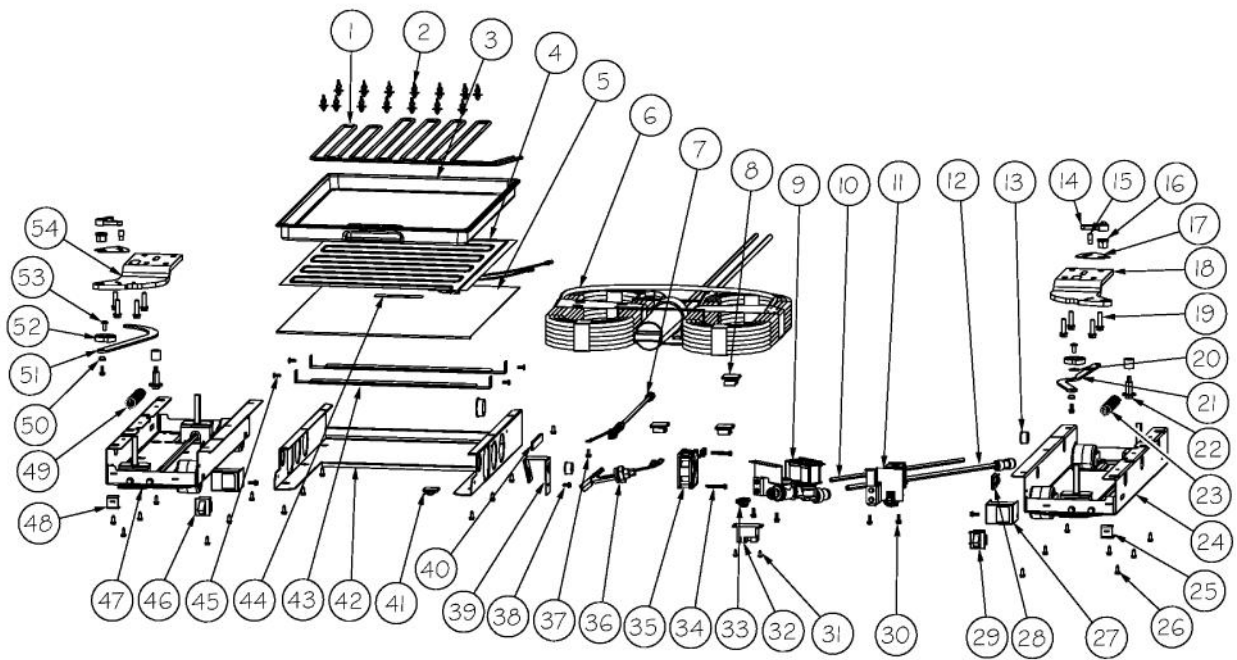
| Ref # | Part Number | Qty. | Description |
|-------|-------------|------|-----------------------------------|
| 1 | PF930672 | 2 | LABEL DC COMPRESSOR |
| 2 | K20915000 | 1 | CONTROL BOX TOP |
| 3 | M0288120 | 2 | NUT-SPEED, VM0288120 |
| 4 | PD020194 | 10 | SCREW-SM |
| 5 | K2098654 | 1 | BRACKET SWITCH POWER |
| 6 | PC040010 | 8 | POP RIVET |
| 7 | K2099402 | 1 | CONTROL BOX |
| 8 | PE970609 | 1 | HARNESS CONTROL BOARD |
| 9 | K20910060 | 1 | BRACKET - PC |
| 10 | M0104106 | 1 | CLIP-CORD VM0104106 |
| 11 | 005396-000 | 1 | FILM,PROTECTIVE |
| 12 | M0585506 | 5 | SUPPORT |
| 13 | 005319-000 | 1 | POWER CONTROL BOARD ASM |
| 14 | PE070785 | 1 | HARNESS HIGH VOLT |
| 15 | PE970464 | 1 | HARNESS LOW VOLT |
| 16 | PE070728 | 1 | BOARD LOW VOLTAGE |
| 17 | PD020013 | 5 | TYPE AB NO.6 X 3/8 PH PAN HD. SMS |
| 18 | PC040010 | 1 | POP RIVET |
| 19 | 12064001 | 2 | SUPP-CONT PANEL |
| 20 | PK930230 | 1 | CONTROL PANEL SXS 42 |
| 21 | K20910061 | 1 | CONTROL BOX FRONT |
| 22 | 010488-000 | 1 | OVERLAY SWITCH SXS 42 DISP |
| 23 | M0238846 | 2 | SCREW-SHLDR |
| 24 | M0224128 | 2 | SCREW-SM |
| 25 | A4554817 | 2 | BUSHING-SNAP VA4554817 |
| 26 | M0585504 | 6 | SUPPORT |
| 27 | A3030361 | 1 | GASKET, RED |



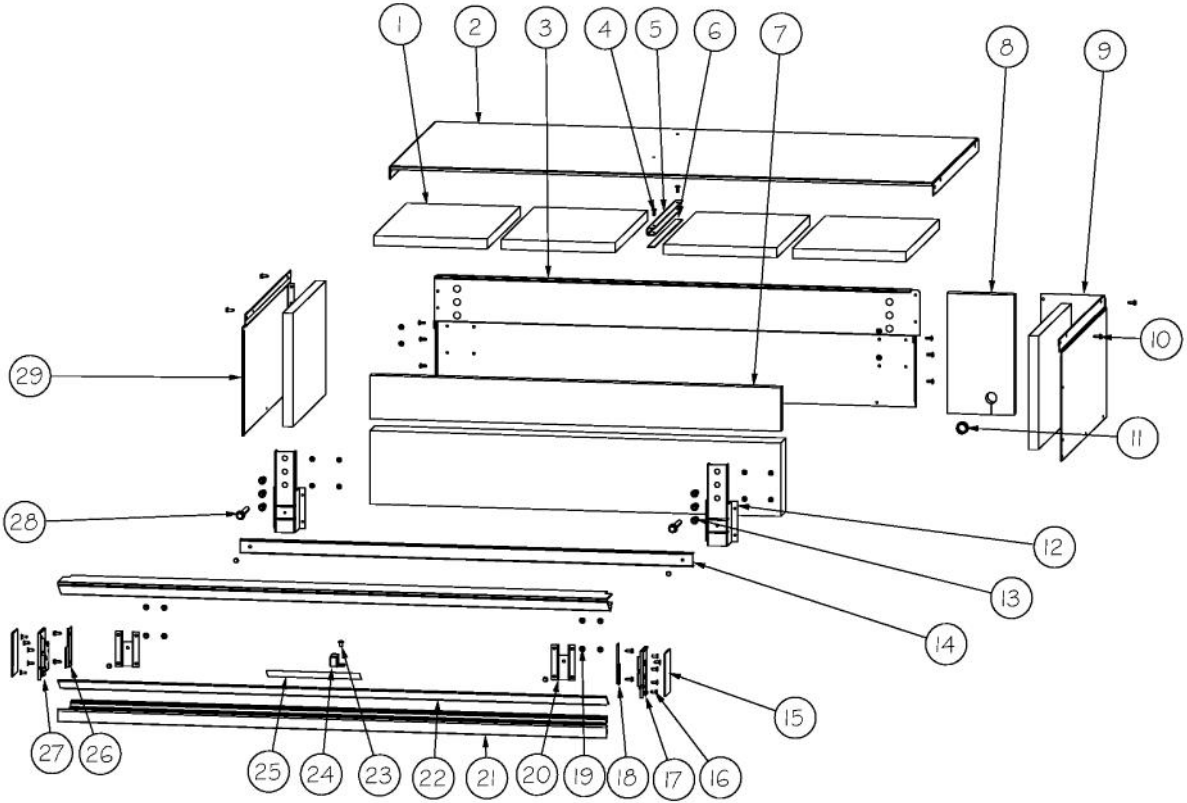
| Ref # | Part Number | Qty. | Description |
|-------|-------------|------|-----------------------------|
| 1 | M0215318 | 18 | SCREW-SM |
| 2 | PK920066 | 2 | SIDE TRIM |
| 3 | 000207-002 | 1 | KICKPLATE, LWR |
| 4 | 40370P01 | 4 | NYLON FLAT WASHER V40370P01 |
| 5 | M0210443 | 4 | SCREW-E SM |
| 6 | C9097789BK | 1 | GRILLE TOE VENTED BK |



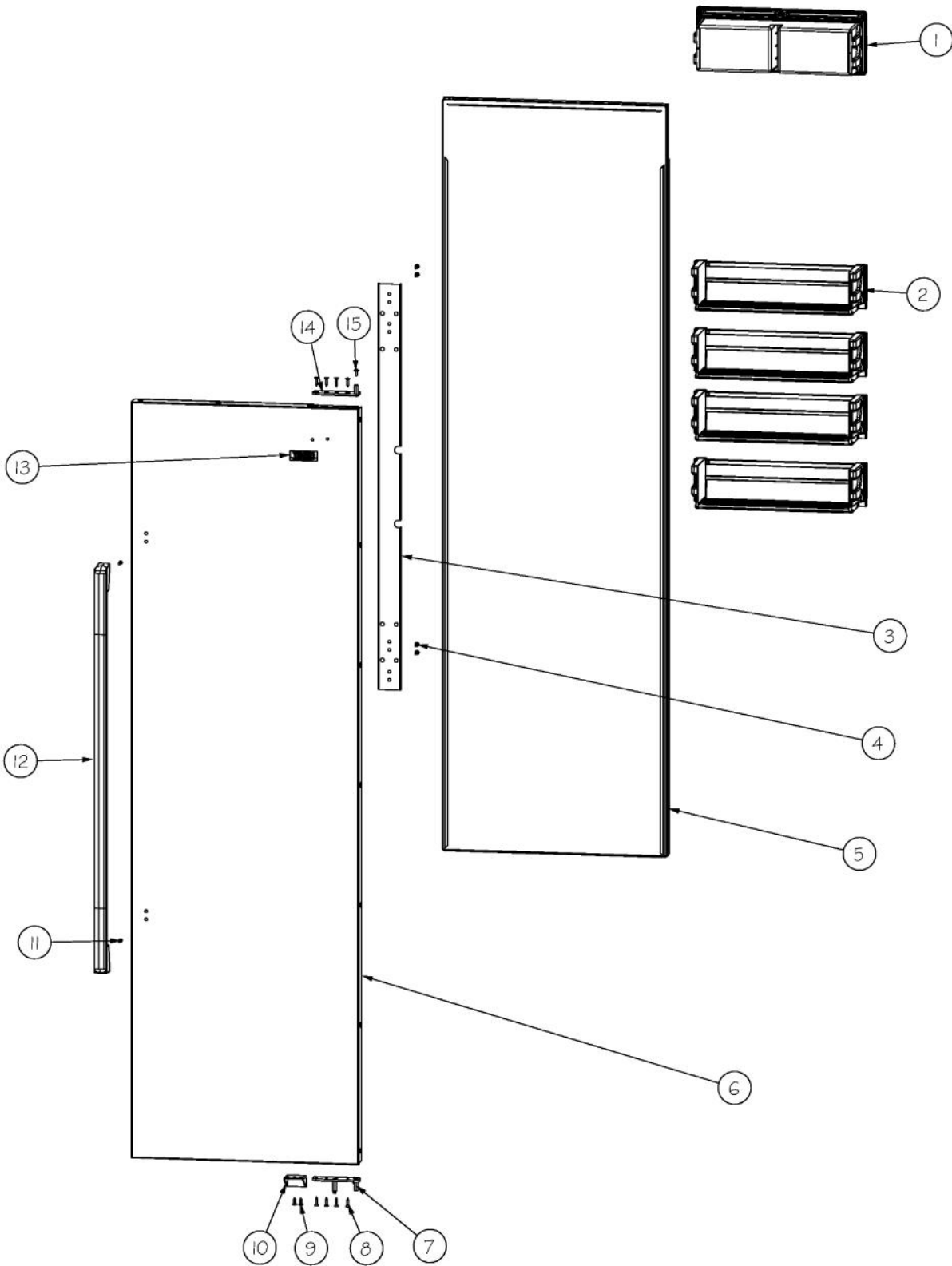
| Ref # | Part Number | Qty. | Description |
|-------|-------------|------|-------------------------------|
| 1 | F2097793 | 1 | TUBE FORMED HT EXCH |
| 2 | PB910259 | 1 | THERMOSTAT DEFROST TERMINATOR |
| 3 | A3189370 | 3 | GASKET-FOAM VA3189370 |
| 4 | PD020194 | 26 | SCREW-SM |
| 5 | K2096461 | 2 | BRKT-EVAP COVER 12234801 |
| 6 | K2096456 | 2 | BRKT-EVAP CLIP 12215101 |
| 7 | 10629001 | 2 | BLOCK-R AIR COIL RED |
| 8 | 10527401 | 2 | CLIP-EVAP |
| 9 | PM910206 | 1 | EVAPORATOR SXS 48 |
| 10 | PJ910031 | 1 | HEATER EVAP SXS |
| 11 | 10428101 | 2 | CLIP-EVAP HTR V10428101 |
| 12 | 10623003 | 1 | CLIP-EVAP |
| 13 | C8983701 | 1 | THERMISTOR |
| 14 | M0211014 | 1 | SCREW-SM |
| 15 | L20910054 | 1 | COVER LOWER EVAP |
| 16 | L2097577 | 1 | COVER - CTR EVAP |
| 17 | L2098028 | 1 | COVER EVAP MOTOR |
| 18 | K2096458 | 1 | BRKT-L-EVAP-FAN 12223102 |
| 19 | K2096457 | 1 | BRKT-R-EVAP FAN 12223101 |
| 20 | G5098660 | 1 | FAN EVAP ASM |
| 21 | M0238859 | 4 | SCREW-SHLDR |
| 22 | L20910075 | 1 | COVER EVAP FAN |
| 23 | L20914114 | 1 | FAN COVER |
| 24 | L20914115 | 1 | FAN BRACKET |
| 25 | C90910058WH | 1 | COVER UPPER EVAP |
| 26 | PB920220 | 1 | EXT FILL TUBE |
| 27 | PK030436 | 1 | FILL TUBE |
| 28 | 10276601 | 1 | ELBOW-FILLER TUBE |



| Ref # | Part Number | Qty. | Description |
|-------|-------------|------|---|
| 1 | F20915693 | 1 | SERPENTINE CONDENSER DRAIN ALL SXS'S |
| 2 | PD030146 | 14 | STAND OFF LOCK CLIP |
| 3 | PK930348 | 1 | PAN DRAIN |
| 4 | PE070707 | 1 | PAN HEATER |
| 5 | L20914124WH | 1 | TRAY PAN HEATER |
| 6 | PA030019 | 1 | FILTER/COIL TUBE ASM |
| 7 | 040066-000 | 1 | HARNESS JUMPER LOWER |
| 8 | M0104102 | 3 | CLIP-CORD RED |
| 9 | G32914174 | 1 | BRKT & VALVE J.G. INLET ASM (BEFORE, ON, OR AFTER 051910R) |
| 10 | PB020303 | 1 | PLASTIC TUBING-IM WATERLINE SXS DISP |
| 11 | G32913791 | 1 | BRKT & VALVE H2O DUAL ASM (BEFORE 051910R) |
| NI | G32915704 | 1 | BRKT AND VALVE SINGLE ASM DISP (ON OR AFTER 051910R) |
| 12 | PB020294 | 1 | TUBE ASM-DOOR TO VALVE |
| 13 | A4554806 | 2 | BUSHING-SNAP VA4554806 |
| 14 | PD940091 | 2 | BUSHING - DOOR STOP |
| 15 | PC920145 | 2 | PIN - DOOR STOP |
| 16 | PD940090 | 2 | BUSHING - WC DOOR LEVEL |
| 17 | PC920144 | 2 | PLATE - WC DOOR SHIM |
| 18 | PC920215 | 1 | HINGE PLATE SXS LR |
| 19 | 000570-000 | 8 | HEX SCREW |
| 21 | PC920166 | 1 | BAR-WC BOT HINGE RH |
| 22 | M0221523 | 2 | SCREW - SHLDR |
| 23 | 003867-000 | 1 | SPRING EXTENSION |
| 24 | PM910398 | 1 | LEVELER ASSEMBLY - R |
| 25 | K2098044 | 1 | BRKT GRILLE SUPPORT |
| 26 | PD020194 | 20 | SCREW-SM |
| 27 | 014334-000 | 2 | BRACKET,LT,SWITCH |
| 28 | M0104106 | 2 | CLIP-CORD VM0104106 |
| 29 | PE950147 | 1 | SWITCH SPST NC BLACK |
| 30 | M0220417 | 8 | SCREW-TC |
| 31 | M0217204 | 2 | SCREW, SM |
| 32 | 014808-000 | 1 | RELAY,WATER VALVE (ON OR AFTER 051910R) |
| 33 | PB020301 | 1 | STEM ELBOW 1/4 |
| 34 | PD020274 | 2 | SCR SLTD HEX WSHR HD 8X1.250 BT |
| 35 | 000731-000 | 1 | AXIAL FAN |
| 36 | PE050248 | 1 | FLOAT SWITCH HORIZONTAL |
| 37 | PD020010 | 2 | 10 X 3/8 GREEN GROUNDING SCREW |
| 38 | M0253916 | 1 | SCREW-TF |
| 39 | B20915627 | 1 | BRACKET HORIZ FLOAT SWITCH |
| 40 | PF930654 | 1 | LABEL CONDENSATE FAN SERVICE |
| 41 | A4554817 | 1 | BUSHING-SNAP VA4554817 |
| 42 | K20915952 | 1 | SHIELD BOTTOM DRAIN |
| 43 | K20911831 | 2 | BRACKET CONDENSATE SUPPORT |
| 44 | PF031267 | 1 | LABEL HEATER PAN |
| 45 | PC040010 | 4 | POP RIVET |
| 46 | PE950146 | 1 | SWITCH SPDT BLACK |
| 47 | PM910399 | 1 | LEVELER MODULE L |
| 48 | K2098096 | 1 | BRKT GRILLE SUPPORT |
| 49 | PC910015 | 1 | SPRING EXTENSION |
| 50 | PD940094 | 2 | BUSHING |
| 51 | PC920149 | 1 | BAR-WC BOT HINGE LH |
| 52 | PM010602 | 2 | CAM DOOR ADJUSTMENT |
| 53 | PD020234 | 2 | SCREW THP 10-32 X .500 SS BO |
| 54 | PC020289 | 1 | HINGE PLATE LL |
| 55 | PD940107 | 2 | ROUND SPRING SPACER |

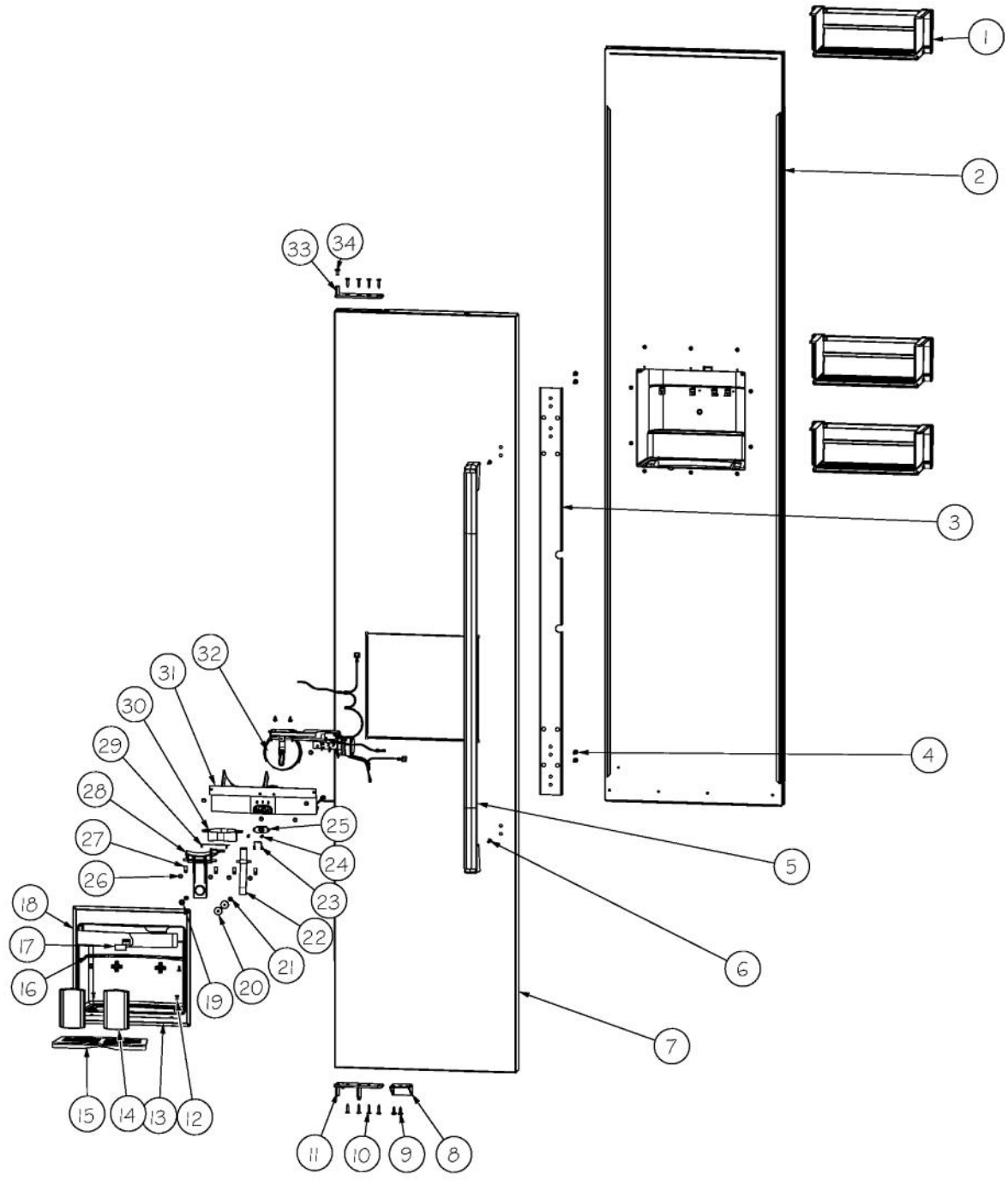


| Ref # | Part Number | Qty. | Description |
|-------|-------------|------|---|
| 1 | PB070355 | 6 | INSULATION MC COVER |
| 2 | K2099458 | 1 | MC TOP SXS 42 |
| 3 | K2099461 | 1 | MC BACK 42 |
| 4 | PC040010 | 19 | POP RIVET |
| 5 | K2099455 | 1 | SUPPORT MC Z |
| 6 | G50915900 | 1 | MC COVER BI 42 |
| 7 | PB070360 | 2 | INSULATION MC COVER |
| 8 | PB970171 | 1 | MC INSULATION - BACK SIDE |
| 9 | K2099459 | 1 | MC SIDE R |
| 10 | PD020194 | 12 | SCREW-SM |
| 11 | A4554806 | 1 | BUSHING-SNAP VA4554806 |
| 12 | K20915675 | 2 | BRACKET PSM |
| 13 | PD040157 | 4 | BEARING SLEEVE |
| 14 | K20915903 | 1 | CROSSMEMBER PSM 42 |
| 15 | PM910072 | 2 | COVER - END CAP 12119802 |
| 16 | M0215318 | 10 | SCREW-SM |
| 17 | PM910348 | 1 | ENP CAP GRILLE R |
| 18 | K2099470 | 1 | BRACKET GRILLE SUPPORT R |
| 19 | M0224128 | 8 | SCREW-SM |
| 20 | PK050004 | 2 | BRACKET GRILLE |
| 21 | PM910306 | 1 | GRILLE LOWER SXS 42 DES |
| 22 | PM910305 | 1 | GRILLE CENTER SXS 42 DES |
| 23 | M0230028 | 1 | SCREW-TC |
| 24 | PM910084 | 1 | SUPPORT GRILLE 12201201 |
| 25 | PF930523 | 1 | GRILL BLADE LABEL (REFRIGERATOR) |
| 26 | K2099471 | 1 | BRACKET GRILLE SUPPORT L |
| 27 | PM910349 | 1 | END CAP GRILLE L |
| 28 | PD020233 | 1 | SCR LAG 5/16-9 GX 5/16X7/16 WAF IHXW 3 S ZN |
| 29 | K2099460 | 1 | MC SIDE L |



| Ref # | Part Number | Qty. | Description |
|-------|-------------|------|---------------------------------------|
| 1 | PK930123 | 1 | DAIRY MODULE ASM SXS 42 |
| 2 | G5098675 | 4 | DOORBIN ASM SXS 42 FF |
| 3 | 013328-000 | 1 | BRKT,HANDLE,SUPPORT,PRO |
| 4 | 008974-000 | 4 | SCREW 10 - 32 X 3/4 SLOT HEX WASHER |
| 5 | 12128001 | 1 | PLUG-INNER DOOR |
| 6 | 013452-000 | 1 | SKIN,DOOR,SXS 42 DES FF SS |
| 6 | 013458-002 | 1 | SKIN, DOOR, SXS 42D DES FF BK |
| 6 | 013458-003 | 1 | SKIN, DOOR, SXS 42D DES FF BT |
| 6 | 013458-004 | 1 | SKIN, DOOR, SXS 42D DES FF SG |
| 6 | 013458-005 | 1 | SKIN, DOOR, SXS 42D DES FF GG |
| 6 | 013458-007 | 1 | SKIN, DOOR, SXS 42D DES FF AL |
| 6 | 013458-008 | 1 | SKIN, DOOR, SXS 42D DES FF BU |
| 6 | 013458-009 | 1 | SKIN, DOOR, SXS 42D DES FF LE |
| 6 | 013458-010 | 1 | SKIN, DOOR, SXS 42D DES FF MJ |
| 6 | 013458-011 | 1 | SKIN, DOOR, SXS 42D DES FF FG |
| 6 | 013458-012 | 1 | SKIN, DOOR, SXS 42D DES FF VB |
| 6 | 013458-013 | 1 | SKIN, DOOR, SXS 42D DES FF CB |
| 6 | 013458-014 | 1 | SKIN, DOOR, SXS 42D DES FF EP |
| 6 | 013458-015 | 1 | SKIN, DOOR, SXS 42D DES FF PL |
| 6 | 013458-016 | 1 | SKIN, DOOR, SXS 42D DES FF CH |
| 6 | 013458-017 | 1 | SKIN, DOOR, SXS 42D DES FF TP |
| 6 | 013458-018 | 1 | SKIN, DOOR, SXS 42D DES FF CW |
| 6 | 013458-019 | 1 | SKIN, DOOR, SXS 42D DES FF OG |
| 6 | 013458-020 | 1 | SKIN, DOOR, SXS 42D DES FF GM |
| 6 | 013458-021 | 1 | SKIN, DOOR, SXS 42D DES FF SA |
| 6 | 013458-022 | 1 | SKIN, DOOR, SXS 42D DES FF SE |
| 6 | 013458-023 | 1 | SKIN, DOOR, SXS 42D DES FF IB |
| 6 | 013458-024 | 1 | SKIN, DOOR, SXS 42D DES FF AR |
| 6 | 013458-025 | 1 | SKIN, DOOR, SXS 42D DES FF RR |
| 6 | 013458-026 | 1 | SKIN, DOOR, SXS 42D DES FF PM |
| 6 | 013458-027 | 1 | SKIN, DOOR, SXS 42D DES FF MS |
| 7 | PC020276 | 1 | PIVOT PL ASM RH LW PRO/DES |
| 8 | PD920174 | 5 | 10-32 TORX HEAD SCREW |
| 9 | M0210458 | 1 | SCREW-SM |
| 10 | PD050019 | 1 | STRIKER DOOR SWITCH |
| 11 | PD020043 | 2 | NO.6-32 X .750 PH. CTRSK T(F)-VGSO166 |
| 12 | 014237-000 | 1 | HANDLE, ASM, DES |
| 13 | 013700-000 | 1 | 2.75 DESIGNER LOGO WITH PINS |
| 14 | PC020278 | 1 | PIVOT PL ASM RH UP PRO/DES |
| 15 | PD020234 | 1 | SCREW THP 10-32 X .500 SS BO |
| NI | 011437-000 | 1 | DOOR, SKIN, ASM, SXS 42 DES FF SS |
| NI | 011180-002 | 1 | DOOR, SKIN, ASM, SXS 42 DES FF BK |
| NI | 011180-003 | 1 | DOOR, SKIN, ASM, SXS 42 DES FF BT |
| NI | 011180-004 | 1 | DOOR, SKIN, ASM, SXS 42 DES FF SG |
| NI | 011180-005 | 1 | DOOR, SKIN, ASM, SXS 42 DES FF GG |
| NI | 011180-007 | 1 | DOOR, SKIN, ASM, SXS 42 DES FF AL |
| NI | 011180-008 | 1 | DOOR, SKIN, ASM, SXS 42 DES FF BU |
| NI | 011180-009 | 1 | DOOR, SKIN, ASM, SXS 42 DES FF LE |
| NI | 011180-010 | 1 | DOOR, SKIN, ASM, SXS 42 DES FF MJ |
| NI | 011180-012 | 1 | DOOR, SKIN, ASM, SXS 42 DES FF FG |
| NI | 011180-013 | 1 | DOOR, SKIN, ASM, SXS 42 DES FF VB |
| NI | 011180-014 | 1 | DOOR, SKIN, ASM, SXS 42 DES FF CB |
| NI | 011180-014 | 1 | DOOR, SKIN, ASM, SXS 42 DES FF EP |
| NI | 011180-015 | 1 | DOOR, SKIN, ASM, SXS 42 DES FF PL |
| NI | 011180-016 | 1 | DOOR, SKIN, ASM, SXS 42 DES FF CH |
| NI | 011180-017 | 1 | DOOR, SKIN, ASM, SXS 42 DES FF TP |
| NI | 011180-018 | 1 | DOOR, SKIN, ASM, SXS 42 DES FF CW |
| NI | 011180-019 | 1 | DOOR, SKIN, ASM, SXS 42 DES FF OG |
| NI | 011180-020 | 1 | DOOR, SKIN, ASM, SXS 42 DES FF GM |
| NI | 011180-021 | 1 | DOOR, SKIN, ASM, SXS 42 DES FF SA |

| Ref # | Part Number | Qty. | Description |
|-------|-------------|------|-----------------------------------|
| NI | 011180-021 | 1 | DOOR, SKIN, ASM, SXS 42 DES FF SA |
| NI | 011180-022 | 1 | DOOR, SKIN, ASM, SXS 42 DES FF SE |
| NI | 011180-023 | 1 | DOOR, SKIN, ASM, SXS 42 DES FF IB |
| NI | 011180-024 | 1 | DOOR, SKIN, ASM, SXS 42 DES FF AR |
| NI | 011180-025 | 1 | DOOR, SKIN, ASM, SXS 42 DES FF RR |
| NI | 011180-026 | 1 | DOOR, SKIN, ASM, SXS 42 DES FF PM |
| NI | 011180-027 | 1 | DOOR, SKIN, ASM, SXS 42 DES FF MS |



| Ref # | Part Number | Qty. | Description |
|-------|-------------|------|---------------------------------------|
| 1 | G5098676 | 3 | DOORBIN ASM SXS 42 & 48 FZ |
| 2 | 007521-000 | 1 | DOOR FOAM ASM SXS 42 FZ DISP |
| 3 | 013328-000 | 1 | BRKT,HANDLE,SUPPORT,PRO |
| 4 | 008974-000 | 4 | SCREW 10 - 32 X 3/4 SLOT HEX WASHER |
| 5 | 014237-000 | 1 | HANDLE, ASM, DES |
| 6 | PD020043 | 1 | NO.6-32 X .750 PH. CTRSK T(F)-VGSO166 |
| 7 | 014005-000 | 1 | SKIN,DOOR,SXS 42D DES FZ SS |
| 7 | 013983-002 | 1 | SKIN, DOOR, SXS 42D DES FZ BK |
| 7 | 013983-003 | 1 | SKIN, DOOR, SXS 42D DES FZ BT |
| 7 | 013983-004 | 1 | SKIN, DOOR, SXS 42D DES FZ SG |
| 7 | 013983-005 | 1 | SKIN, DOOR, SXS 42D DES FZ GG |
| 7 | 013983-007 | 1 | SKIN, DOOR, SXS 42D DES FZ AL |
| 7 | 013983-008 | 1 | SKIN, DOOR, SXS 42D DES FZ BU |
| 7 | 013983-009 | 1 | SKIN, DOOR, SXS 42D DES FZ LE |
| 7 | 013983-010 | 1 | SKIN, DOOR, SXS 42D DES FZ MJ |
| 7 | 013983-011 | 1 | SKIN, DOOR, SXS 42D DES FZ FG |
| 7 | 013983-012 | 1 | SKIN, DOOR, SXS 42D DES FZ VB |
| 7 | 013983-013 | 1 | SKIN, DOOR, SXS 42D DES FZ CB |
| 7 | 013983-014 | 1 | SKIN, DOOR, SXS 42D DES FZ EP |
| 7 | 013983-015 | 1 | SKIN, DOOR, SXS 42D DES FZ PL |
| 7 | 013983-016 | 1 | SKIN, DOOR, SXS 42D DES FZ CH |
| 7 | 013983-017 | 1 | SKIN, DOOR, SXS 42D DES FZ TP |
| 7 | 013983-018 | 1 | SKIN, DOOR, SXS 42D DES FZ CW |
| 7 | 013983-019 | 1 | SKIN, DOOR, SXS 42D DES FZ OG |
| 7 | 013983-020 | 1 | SKIN, DOOR, SXS 42D DES FZ GM |
| 7 | 013983-021 | 1 | SKIN, DOOR, SXS 42D DES FZ SA |
| 7 | 013983-022 | 1 | SKIN, DOOR, SXS 42D DES FZ SE |
| 7 | 013983-023 | 1 | SKIN, DOOR, SXS 42D DES FZ IB |
| 7 | 013983-024 | 1 | SKIN, DOOR, SXS 42D DES FZ AR |
| 7 | 013983-025 | 1 | SKIN, DOOR, SXS 42D DES FZ RR |
| 7 | 013983-026 | 1 | SKIN, DOOR, SXS 42D DES FZ PM |
| 7 | 013983-027 | 1 | SKIN, DOOR, SXS 42D DES FZ MS |
| 8 | PD050019 | 1 | STRIKER DOOR SWITCH |
| 9 | M0210458 | 2 | SCREW-SM |
| 10 | PD920174 | 8 | 10-32 TORX HEAD SCREW |
| 11 | PC020277 | 1 | PIVOT PL ASM LH LW PRO/DES |
| 12 | M0215318 | 4 | SCREW-SM |
| 13 | 013681-000 | 1 | BEZEL,DES, I/W DISPENSER |
| 14 | 011678-000 | 2 | PAD ACTUATOR |
| 15 | 015166-000 | 1 | TRAY,SPILL, DES, I/W DISPENSER |
| 16 | 013686-000 | 1 | STOP, E FACADE |
| 17 | 013685-000 | 1 | CAP, SWITCH |
| 18 | 015156-000 | 1 | INSERT,FACADE,DES, I/W DISPENSER |
| 19 | PD040071 | 1 | NO.8-.437 O.D. FLAT WASHER SS |
| 20 | M0270546 | 2 | WASHER |
| 21 | M0210443 | 2 | SCREW-E SM |
| 22 | PK930404 | 1 | ARM WATER ACTUATOR |
| 23 | B8385402 | 1 | SPRING-RETURN |
| 24 | 003334-000 | 2 | SCR, NO.4-24 X 1/2 |
| 25 | PE950152 | 1 | SWITCH SLIDE |
| 26 | PD020193 | 11 | SCR 8-18 X 3/8 |
| 27 | B10910081 | 4 | DISP RETAINER ICE ARM |
| 28 | PK030470 | 1 | ARM ICE ACTUATOR |
| 29 | PC010022 | 1 | SPRING RETURN ICE ACTUATOR |
| 30 | 013684-000 | 1 | SHROUD, I/W DISPENSER |
| 31 | PE070755 | 1 | DISPENSER CAVITY ASSEMBLY |
| 32 | G50914150 | 1 | ICE DISPENSER MODULE ASM |
| 33 | PC020279 | 1 | PIVOT PL ASM LH UP PRO/DES |
| 34 | PD020234 | 1 | SCREW THP 10-32 X .500 SS BO |
| NI | 011441-000 | 1 | DOOR, SKIN, ASM, SXS 42D DES FZ SS |

| Ref # | Part Number | Qty. | Description |
|-------|-------------|------|------------------------------------|
| NI | 011441-000 | 1 | DOOR, SKIN, ASM, SXS 42D DES FZ SS |
| NI | 011269-002 | 1 | DOOR, SKIN ASM, SXS 42D DES FZ BK |
| NI | 011269-003 | 1 | DOOR, SKIN ASM, SXS 42D DES FZ BT |
| NI | 011269-004 | 1 | DOOR, SKIN ASM, SXS 42D DES FZ SG |
| NI | 011269-005 | 1 | DOOR, SKIN ASM, SXS 42D DES FZ GG |
| NI | 011269-007 | 1 | DOOR, SKIN ASM, SXS 42D DES FZ AL |
| NI | 011269-008 | 1 | DOOR, SKIN ASM, SXS 42D DES FZ BU |
| NI | 011269-009 | 1 | DOOR, SKIN ASM, SXS 42D DES FZ LE |
| NI | 011269-010 | 1 | DOOR, SKIN ASM, SXS 42D DES FZ MJ |
| NI | 011269-011 | 1 | DOOR, SKIN ASM, SXS 42D DES FZ FG |
| NI | 011269-012 | 1 | DOOR, SKIN ASM, SXS 42D DES FZ VB |
| NI | 011269-013 | 1 | DOOR, SKIN ASM, SXS 42D DES FZ CB |
| NI | 011269-014 | 1 | DOOR, SKIN ASM, SXS 42D DES FZ EP |
| NI | 011269-015 | 1 | DOOR, SKIN ASM, SXS 42D DES FZ PL |
| NI | 011269-016 | 1 | DOOR, SKIN ASM, SXS 42D DES FZ CH |
| NI | 011269-017 | 1 | DOOR, SKIN ASM, SXS 42D DES FZ TP |
| NI | 011269-018 | 1 | DOOR, SKIN ASM, SXS 42D DES FZ CW |
| NI | 011269-019 | 1 | DOOR, SKIN ASM, SXS 42D DES FZ OG |
| NI | 011269-020 | 1 | DOOR, SKIN ASM, SXS 42D DES FZ GM |
| NI | 011269-021 | 1 | DOOR, SKIN ASM, SXS 42D DES FZ SA |
| NI | 011269-022 | 1 | DOOR, SKIN ASM, SXS 42D DES FZ SE |
| NI | 011269-023 | 1 | DOOR, SKIN ASM, SXS 42D DES FZ IB |
| NI | 011269-024 | 1 | DOOR, SKIN ASM, SXS 42D DES FZ AR |
| NI | 011269-025 | 1 | DOOR, SKIN ASM, SXS 42D DES FZ RR |
| NI | 011269-026 | 1 | DOOR, SKIN ASM, SXS 42D DES FZ PM |
| NI | 011269-027 | 1 | DOOR, SKIN ASM, SXS 42D DES FZ MS |

*No Image
Available*

| Ref # | Part Number | Qty. | Description |
|-------|-------------|------|-----------------------------|
| NI | PE970464 | 1 | HARNESS LOW VOLT |
| NI | 015365-000 | 1 | HARNESS HIGH VOLT |
| NI | PE070728 | 1 | BOARD LOW VOLTAGE |
| NI | PE970609 | 1 | HARNESS CONTROL BOARD |
| NI | 040085-000 | 1 | HARNESS, MAIN |
| NI | PE070751 | 1 | HARNESS JUMPER DISP CAVITY |
| NI | 040066-000 | 1 | HARNESS JUMPER LOWER |
| NI | 040078-000 | 1 | HARNESS, JUMPER DISP CAVITY |
| NI | 048806-000 | 1 | DISPENSER WIRE SHIELD |