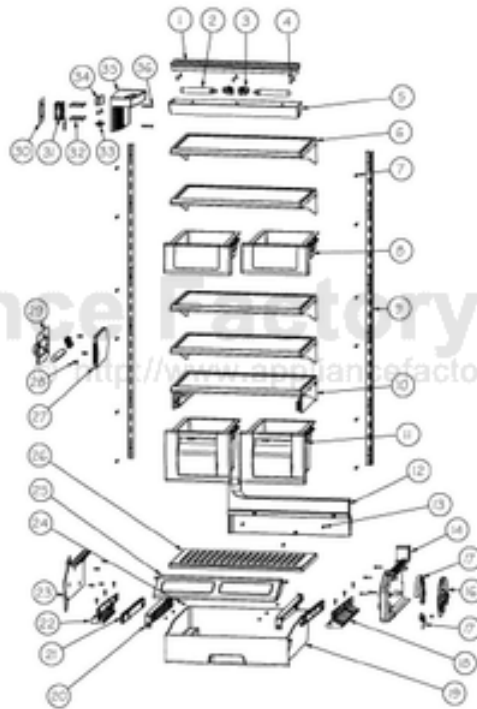


This Owner's Manual is provided and hosted by [Appliance Factory Parts](http://www.appliancefactoryparts.com).



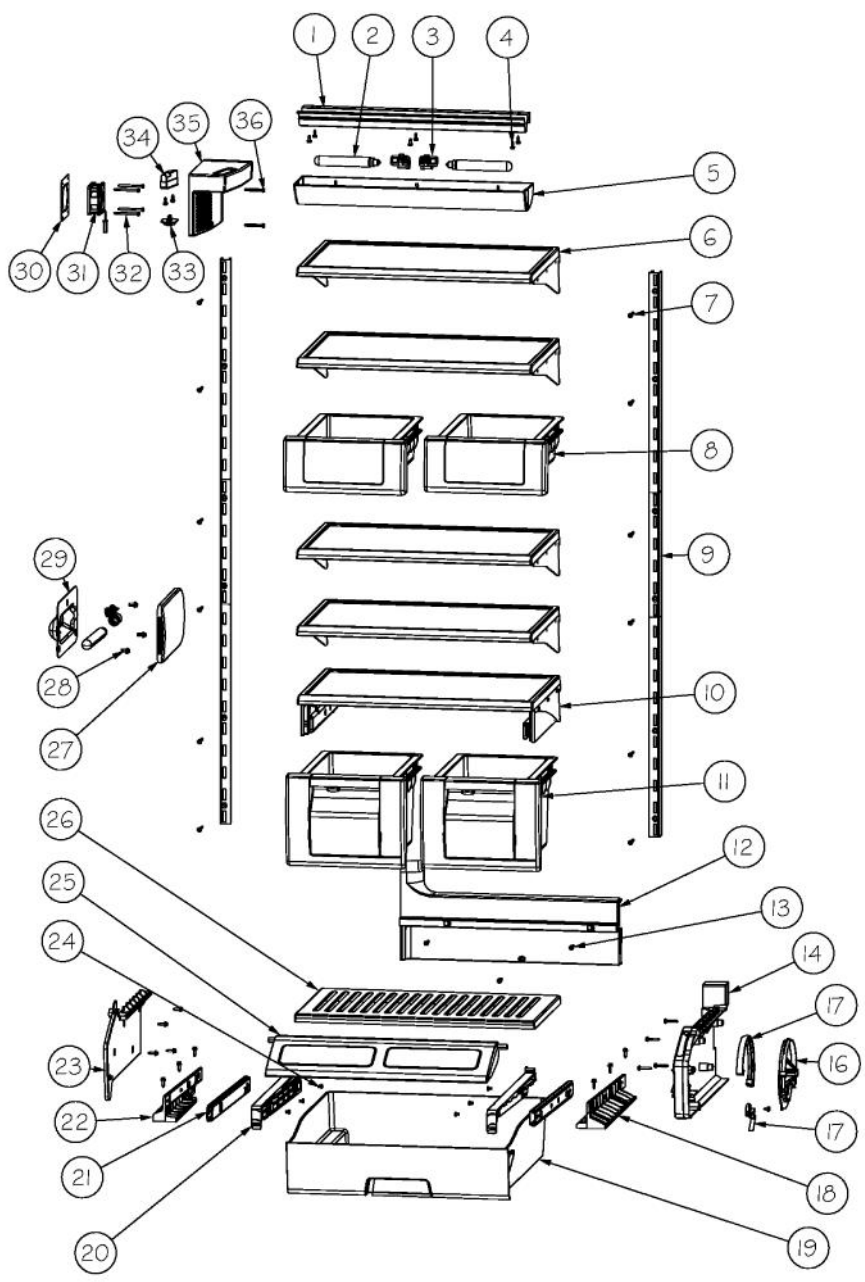
VIKING DDSB548 Owner's Manual

[Shop genuine replacement parts for VIKING DDSB548](#)

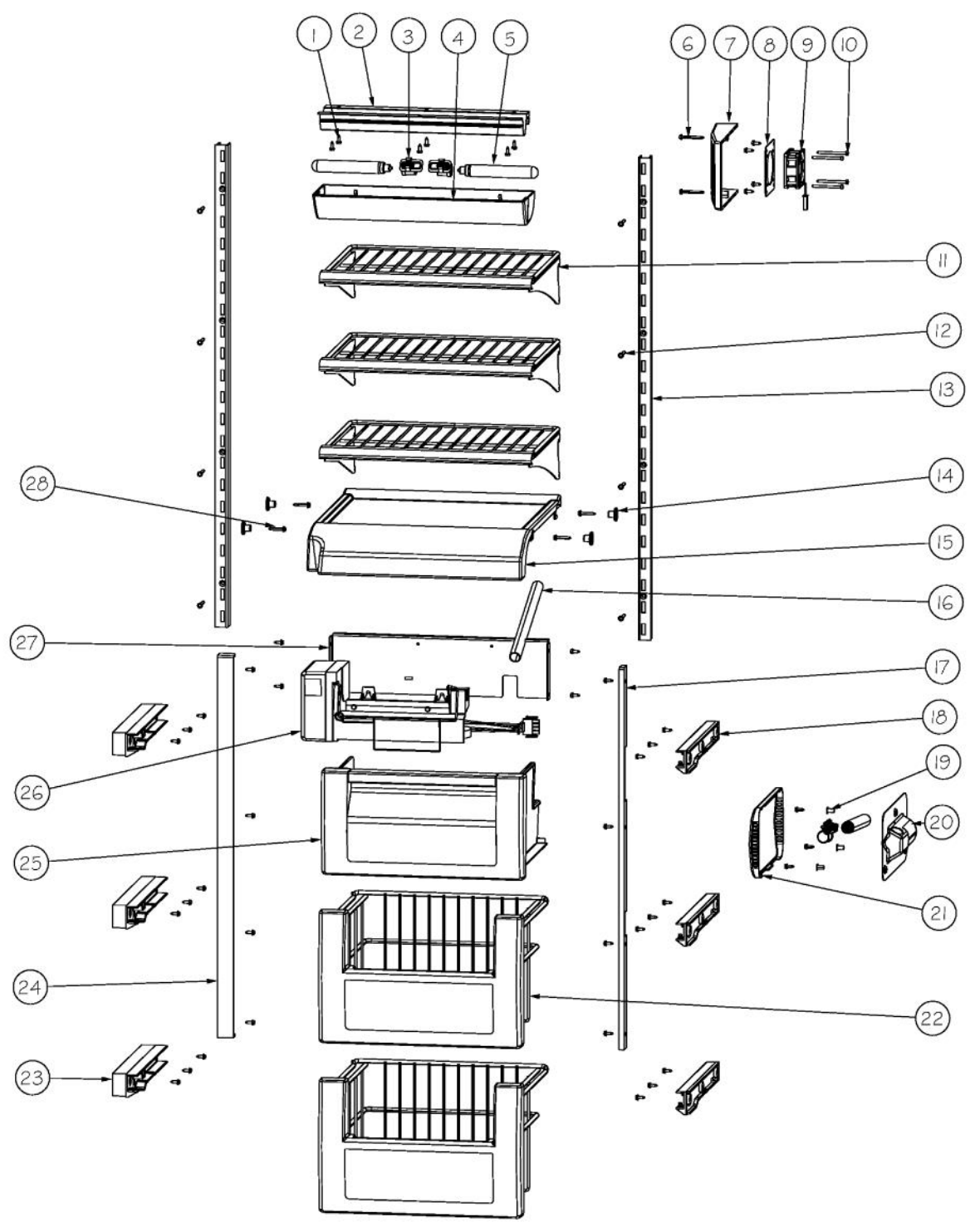


[Find Your VIKING Refrigerator Parts - Select From 341 Models](#)

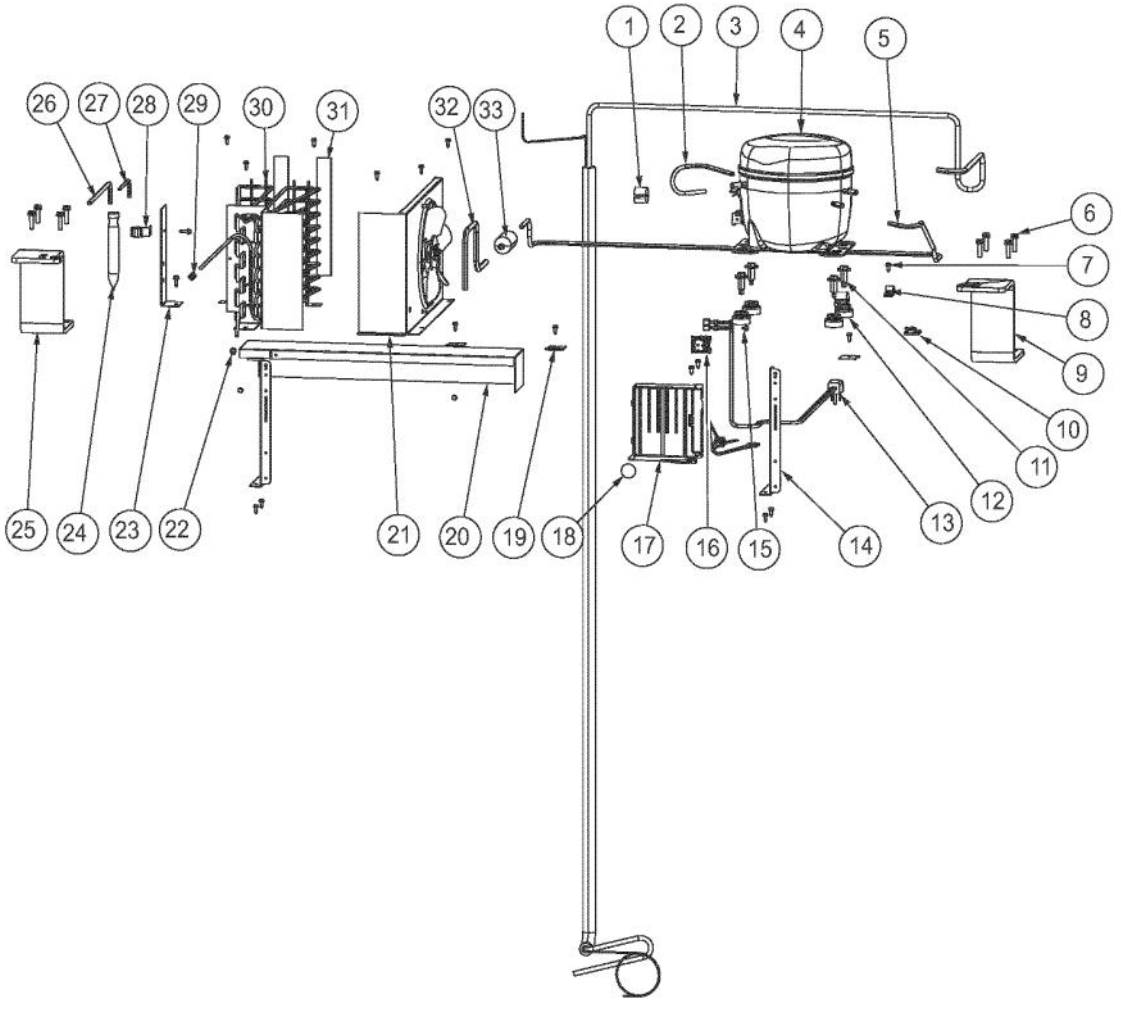
----- Manual continues below -----



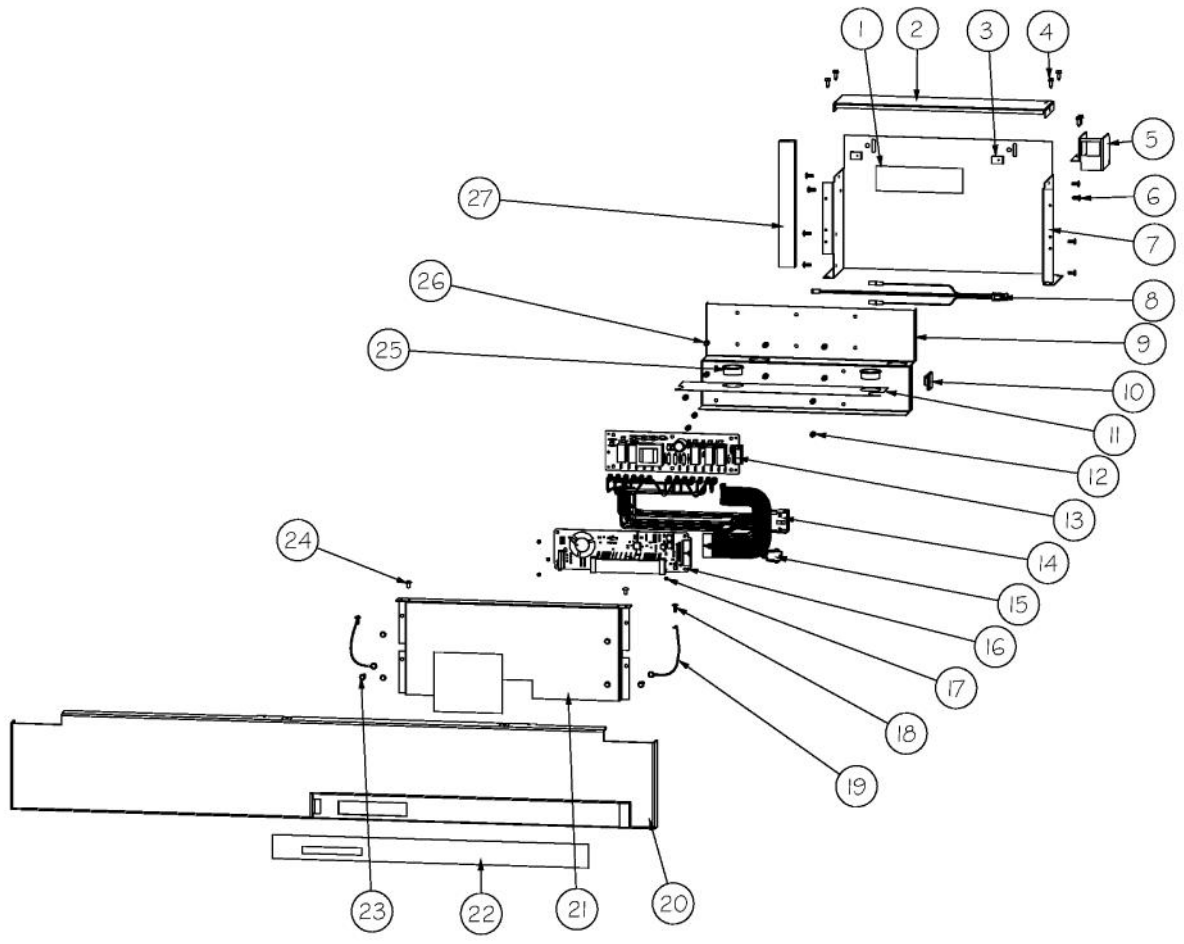
Ref #	Part Number	Qty.	Description
1	L2099492	1	BRACKET LIGHT SXS 48 FF
2	A3079001	3	LAMP - 40W
3	PE950125	3	LIGHT SOCKET
4	PD020194	24	SCREW-SM
5	PK930268	1	COVER LIGHT ASM AF AR 30 SXS 48 FF
6	PM010529	4	SHELF ASM GLASS 30 AR 48 FF
7	M0238535	12	SCREW-SM
8	G32911938	2	DRAWER DELI ASM SXS AR 30
9	PM910227	2	LADDER RS REF
10	G50911937	1	SHELF ASM
11	012259-000	2	DRAWER PRODUCE ASM AR 30/48
12	PK930327	1	DUCT MEATSAVOR SXS 48 REAR
13	M0211021	3	SCREW-SM
14	PK930169	1	DUCT MEAT SAVIOR SXS 42/48 R
15	PK930172	1	COVER CONTROL MEAT SAVIOR
16	PK930168	1	DIAL CONTROL MEAT SAVIOR
17	PM910334	1	ROLLER TENSION
18	PK930173	1	SUPPORT SLIDE MEAT SAVIOR SXS 42/48 R
19	PK930309	1	DRAWER MEAT SAVIOR AR 30 SXS 48
20	PK930176	1	SUPPORT DRAWER MEAT SAVIOR 42/48 L
21	PM910288	1	SLIDE MEAT SAVIOR L
22	PK930174	1	SUPPORT SLIDE MEAT SAVIOR SXS 42/48 L
23	PK930170	1	DUCT MEAT SAVIOR SXS 42 L
24	PD920162	2	SCR 8-16 PLASTITE PNP 1/4 S
25	020100-000	1	DOOR MEATSAVOR ASM AR 30 SXS 48
26	PK930308	1	SHELF MEAT SAVIOR AR 30 SXS 48
27	PK930346	1	COVER LIGHT
28	M0580007	3	GROMMET-SCREW
29	10270203	1	HOUSING-LIGHT V10270203
30	007302-000	1	BRACKET,FAN
31	004551-000	1	AXIAL FAN
32	M0221913	4	SCREW-SM
33	C8983701	1	THERMISTOR
34	010093-000	1	PLASMA CLUSTER
35	012312-000	1	FAN COVER SXS
36	PD020188	2	SCR 8-18 BT HXWS 1 1/2



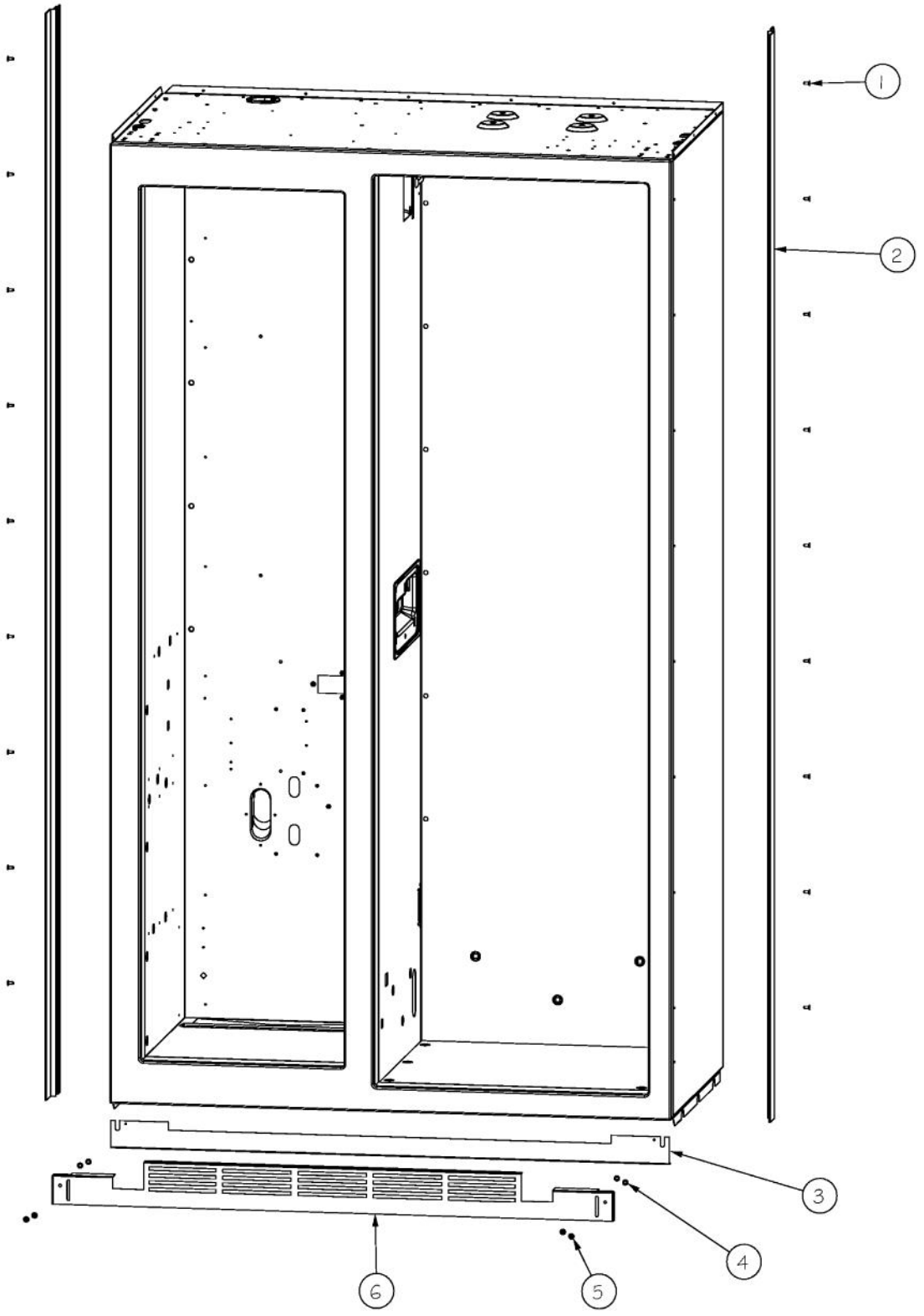
Ref #	Part Number	Qty.	Description
1	PD020194	43	SCREW-SM
2	L2099475	1	BRACKET LIGHT SXS FZ
3	PE950125	3	LIGHT SOCKET
4	PK930116	1	COVER LIGHT ASM SXS 42 FZ
5	A3079001	3	LAMP - 40W
6	PD020188	2	SCR 8-18 BT HXWS 1 1/2
7	PK930086	1	COVER FAN SXS 48 FZ
8	007302-000	1	BRACKET,FAN
9	004551-000	1	AXIAL FAN
10	M0221913	4	SCREW-SM
11	PM910189	3	SHELF WIRE FZ
12	M0238535	8	SCREW-SM
13	12231701	2	LADDER-FZ L/R SIDE
14	12258501	4	SUPPORT-SHELF
15	PK930079	1	SHELF COVER SXS 48 FZ
16	A3127415	1	EXT-FILL TUBE
17	12304301	1	CLOSEOUT-FZ SIDE NO.
18	PK930074	3	GLIDE SXS 48 FZ R
19	M0580007	3	GROMMET-SCREW
20	10270203	1	HOUSING-LIGHT V10270203
21	PK930346	1	COVER LIGHT
22	PM910190	2	BASKET ASM FZ
23	PK930075	3	GLIDE SXS 48 FZ L
24	PK930073	1	CLOSEOUT SIDE SXS 48 FZ L
25	PK930076	1	ICE PAN ASM SXS 48
26	G50911851	1	ICE MAKER ASM, SXS ND, AF
27	C2097183	1	SUPPORT IM ND SXS 48
28	M0211021	4	SCREW-SM



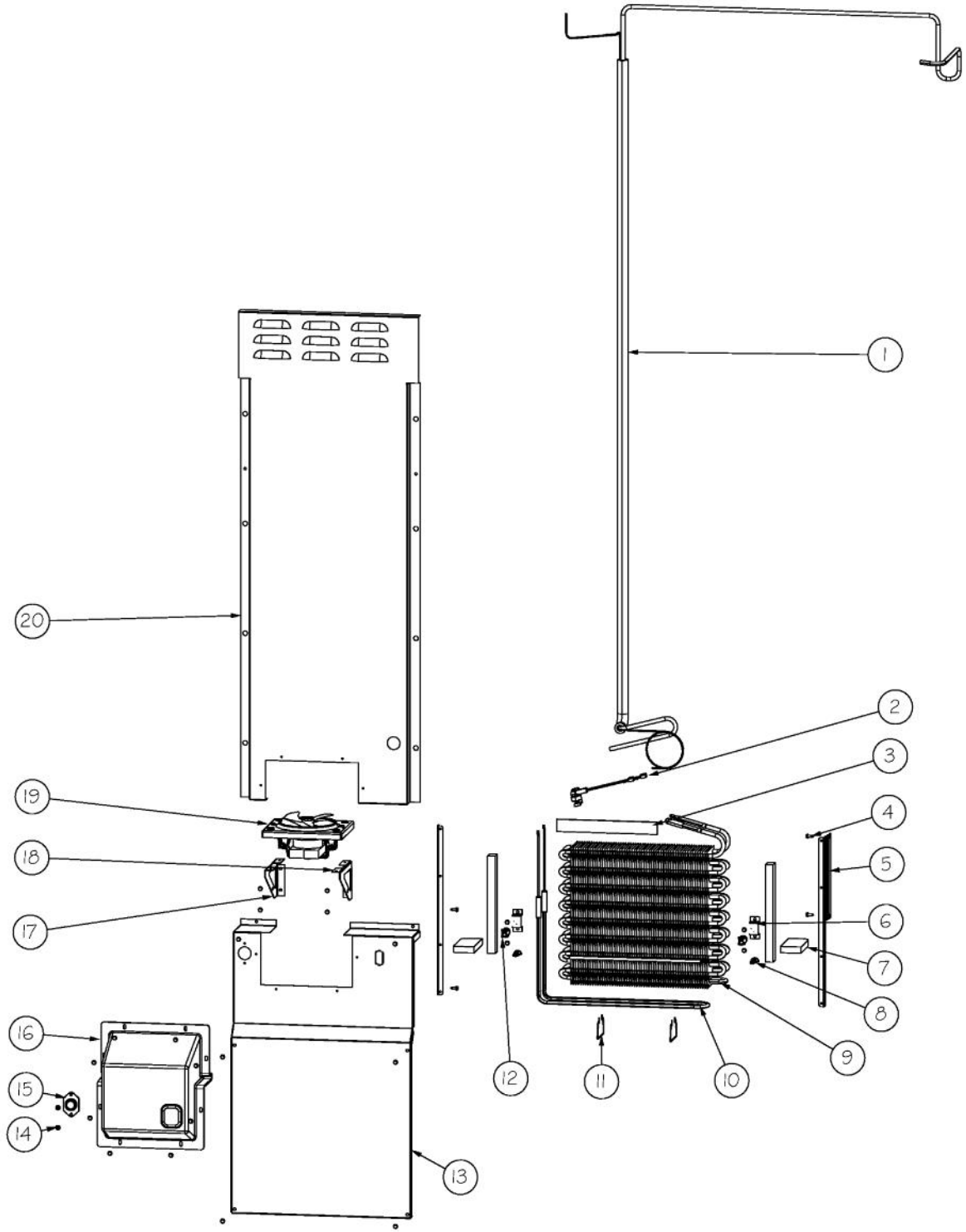
Ref #	Part Number	Qty.	Description
1	10699601	2	DAMPER-TUBING .8
2	F2096507	1	TUBE-PROCESS GRN
3	F2097793	1	TUBE FORMED HT EXCH
4	PM010619	1	COMPRESSOR VCC
5	F2099443	1	TUBE DISCHARGE FORMED PRE ACCUM
6	000570-000	8	HEX SCREW
7	PD020195	20	SCR 8-18 X 5/8
8	PD030118	1	SCREW - SHLDR
9	PC920203	1	HINGE ASM UR
10	M0104106	1	CLIP-CORD VM0104106
11	M0221523	4	SCREW - SHLDR
12	10835901	4	GROMMET RUBBER V10835901
13	10916507	1	TUBE-PROCESS GRN
14	K20912569	2	BRACKET GRILLE SUPPORT
15	M0211014	1	SCREW-SM
16	PE950149	1	SWITCH POWER
17	002574-000	1	INVERTER COMPRESSOR
18	PF930682	1	LABEL WARNING INVERTER
19	K2096943	3	PANEL BRACKET
20	K20912585	1	DIVERTER AIR HI SIDE SXS
21	G5096494	1	COND. FAN ASSY
22	007408-000	1	RING,LOK, .250 DIA
23	K2099454	1	BRACKET DRIER
24	PM910381	1	DRIER - HIGH SIDE
25	PC920193	1	HINGE ASSEM UPPER RH
26	F2097740	1	TUBE PROCESS
27	F2096504	1	TUBE-DRIER EXT
28	10547001	1	CLIP-DRIER V10547001
29	007407-000	1	RING,LOK, .187 DIA
30	PB920171	1	CONDENSER ASM
31	A3189370	2	GASKET-FOAM VA3189370
32	003325-000	1	TUBE DRIER COND.
33	PB920201	1	ACCUMULATOR



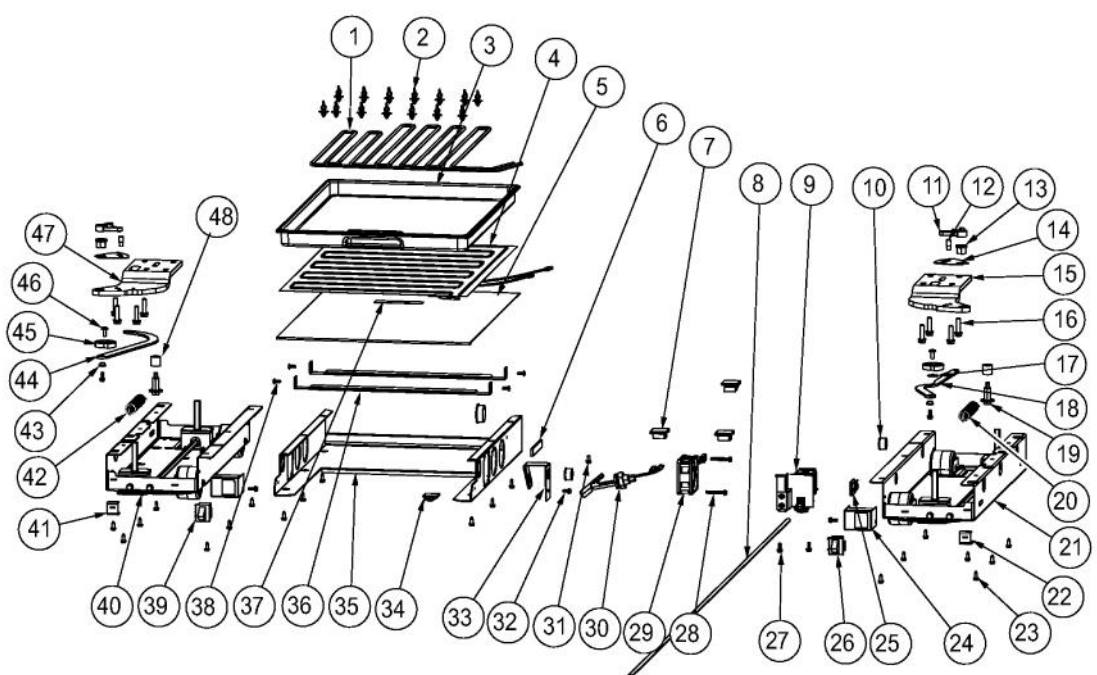
Ref #	Part Number	Qty.	Description
1	PF930672	2	LABEL DC COMPRESSOR
2	K20915000	1	CONTROL BOX TOP
3	M0288120	2	NUT-SPEED, VM0288120
4	PD020194	10	SCREW-SM
5	K2098654	1	BRACKET SWITCH POWER
6	PC040010	8	POP RIVET
7	K2099402	1	CONTROL BOX
8	PE970609	1	HARNESS CONTROL BOARD
9	K20910060	1	BRACKET - PC
10	M0104106	1	CLIP-CORD VM0104106
11	005396-000	1	FILM,PROTECTIVE
12	M0585506	5	SUPPORT
13	005319-000	1	POWER CONTROL BOARD ASM
14	PE070785	1	HARNESS HIGH VOLT
15	PE970464	1	HARNESS LOW VOLT
16	PE070728	1	BOARD LOW VOLTAGE
17	PD020013	5	TYPE AB NO.6 X 3/8 PH PAN HD. SMS
18	PC040010	1	POP RIVET
19	12064001	2	SUPP-CONT PANEL
20	PK930248	1	COVER PANEL 48 SXS
21	K20910061	1	CONTROL BOX FRONT
22	010489-000	1	OVERLAY SWITCH SXS 48
23	M0238846	2	SCREW-SHLDR
24	M0224128	2	SCREW-SM
25	A4554817	2	BUSHING-SNAP VA4554817
26	M0585504	6	SUPPORT
27	A3030361	1	GASKET, RED



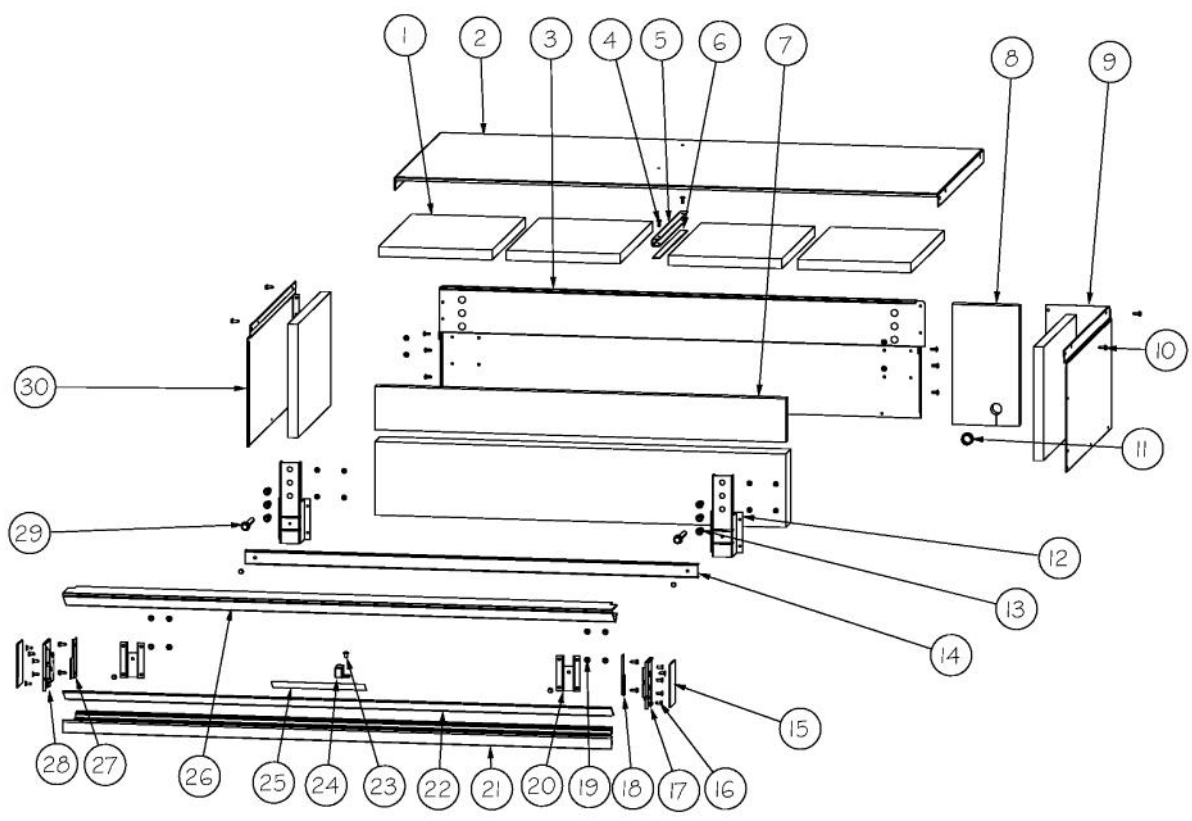
Ref #	Part Number	Qty.	Description
1	M0215318	18	SCREW-SM
2	PK920066	2	SIDE TRIM
3	000152-002	1	KICKPLATE, LWR
4	40370P01	4	NYLON FLAT WASHER V40370P01
5	M0210443	4	SCREW-E SM
6	C9097789BK	1	GRILLE TOE VENTED BK



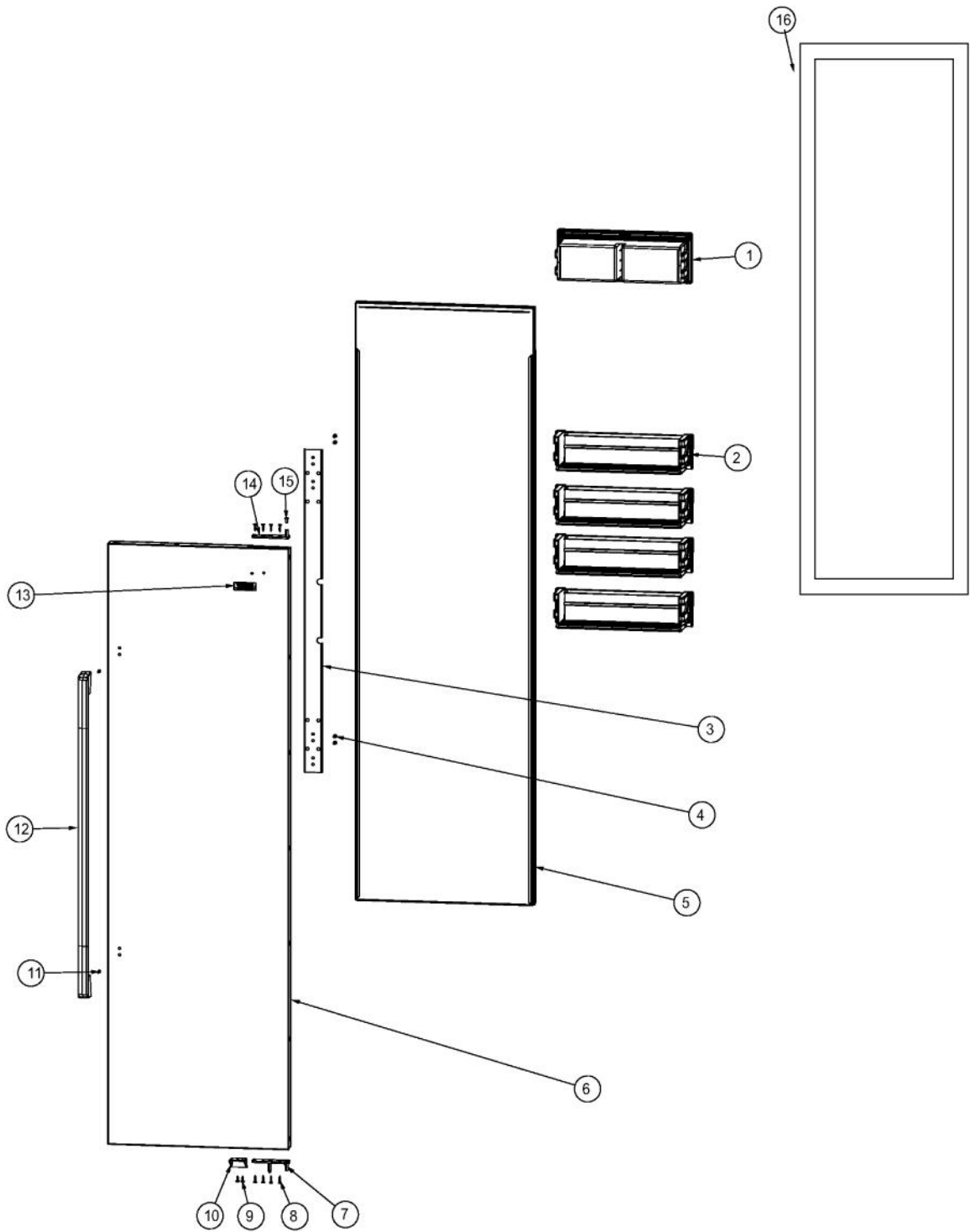
Ref #	Part Number	Qty.	Description
1	F2097793	1	TUBE FORMED HT EXCH
2	PB910259	1	THERMOSTAT DEFROST TERMINATOR
3	A3189370	3	GASKET-FOAM VA3189370
4	PD020194	23	SCREW-SM
5	K2096461	2	BRKT-EVAP COVER 12234801
6	K2096456	2	BRKT-EVAP CLIP 12215101
7	10629001	2	BLOCK-R AIR COIL RED
8	10527401	2	CLIP-EVAP
9	PM910206	1	EVAPORATOR SXS 48
10	PJ910031	1	HEATER EVAP SXS
11	10428101	2	CLIP-EVAP HTR V10428101
12	10623003	1	CLIP-EVAP
13	L2097182	1	COVER EVAP LOWER SXS 48
14	M0211014	2	SCREW-SM
15	C8983701	1	THERMISTOR
16	PK930150	1	COVER CTR EVAP
17	K2096458	1	BRKT-L-EVAP-FAN 12223102
18	K2096457	1	BRKT-R-EVAP FAN 12223101
19	G5098660	1	FAN EVAP ASM
20	L2097181	1	COVER EVAP UPPER SXS 48



Ref #	Part Number	Qty.	Description
1	F20915693	1	SERPENTINE CONDENSER DRAIN ALL SXS'S
2	PD030146	14	STAND OFF LOCK CLIP
3	PK930348	1	PAN DRAIN
4	PE070707	1	PAN HEATER
5	L20914124	1	TRAY PAN HEATER
6	PF930654	1	LABEL CONDENSATE FAN SERVICE
7	M0104102	3	CLIP-CORD RED
8	PB020304	1	PLASTIC TUBING-IM WATERLINE NON DISP (SXS & AF)
9	G32913789	1	BRKT & VALVE H2O SNGL ASM
10	A4554806	2	BUSHING-SNAP VA4554806
11	PD940091	2	BUSHING - DOOR STOP
12	PC920145	2	PIN - DOOR STOP
13	PD940090	2	BUSHING - WC DOOR LEVEL
14	PC920144	2	PLATE - WC DOOR SHIM
15	PC920215	1	HINGE PLATE SXS LR
16	000570-000	8	HEX SCREW
17	003867-000	1	SPRING EXTENSION
18	PC920166	1	BAR-WC BOT HINGE RH
19	M0221523	2	SCREW - SHLDR
20	003867-000	1	SPRING EXTENSION
21	PM910398	1	LEVELER ASSEMBLY - R
22	K2098044	1	BRKT GRILLE SUPPORT
23	PD020194	20	SCREW-SM
24	014334-000	2	BRACKET,LT,SWITCH
25	M0104106	2	CLIP-CORD VM0104106
26	PE950147	1	SWITCH SPST NC BLACK
27	M0220417	8	SCREW-TC
28	PD020274	2	SCR SLTD HEX WSHR HD 8X1.250 BT
29	000731-000	1	AXIAL FAN
30	PE050248	1	FLOAT SWITCH HORIZONTAL
31	PD020010	1	10 X 3/8 GREEN GROUNDING SCREW
32	M0253916	1	SCREW-TF
33	B20915627	1	BRACKET HORIZ FLOAT SWITCH
34	A4554817	1	BUSHING-SNAP VA4554817
35	K20915952	1	SHIELD BOTTOM DRAIN
36	K20911831	2	BRACKET CONDENSATE SUPPORT
37	PF031267	1	LABEL HEATER PAN
38	PC040010	4	POP RIVET
39	PE950146	1	SWITCH SPDT BLACK
40	PM910399	1	LEVELER MODULE L
41	K2098096	1	BRKT GRILLE SUPPORT
42	PC910015	1	SPRING EXTENSION
43	PD940094	2	BUSHING
44	PC920149	1	BAR-WC BOT HINGE LH
45	PM010602	2	CAM DOOR ADJUSTMENT
46	PD020234	2	SCREW THP 10-32 X .500 SS BO
47	PC020289	1	HINGE PLATE LL
48	PD940107	2	ROUND SPRING SPACER

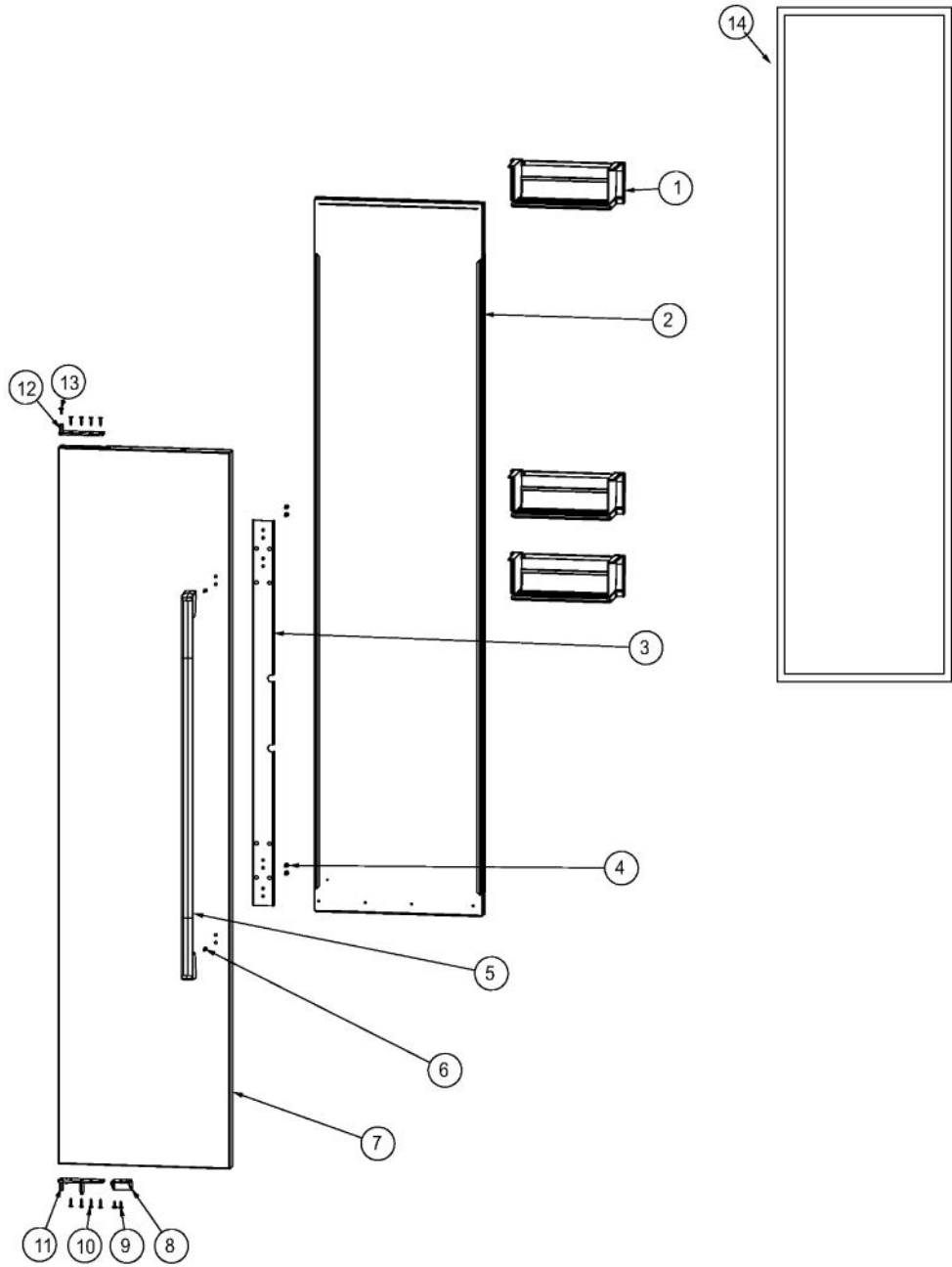


Ref #	Part Number	Qty.	Description
1	PB070355	6	INSULATION MC COVER
2	K20910007	1	MC TOP SXS 48
3	K20910008	1	MC BACK SXS 48
4	PC040010	19	POP RIVET
5	K2099455	1	SUPPORT MC Z
6	G50915900	1	MC COVER BI 42
7	PB070363	2	INSULATION MC COVER
8	PB970171	1	MC INSULATION - BACK SIDE
9	K2099459	1	MC SIDE R
10	PD020194	12	SCREW-SM
11	A4554806	1	BUSHING-SNAP VA4554806
12	K20915675	2	BRACKET PSM
13	PD040157	4	BEARING SLEEVE
14	K20915904	1	CROSSMEMBER PSM 48
15	PM910072	2	COVER - END CAP 12119802
16	M0215318	10	SCREW-SM
17	PM910348	1	ENP CAP GRILLE R
18	K2099470	1	BRACKET GRILLE SUPPORT R
19	M0224128	8	SCREW-SM
20	PK050004	2	BRACKET GRILLE
21	PM910366	1	GRILLE LOWER SXS 48 DES
22	PM910365	1	GRILLE CENTER SXS 48 DES
23	M0230028	1	SCREW-TC
24	PM910084	1	SUPPORT GRILLE 12201201
25	PF930523	1	GRILL BLADE LABEL (REFRIGERATOR)
26	PM910366	1	GRILLE LOWER SXS 48 DES
27	K2099471	1	BRACKET GRILLE SUPPORT L
28	PM910349	1	END CAP GRILLE L
29	PD020233	1	SCR LAG 5/16-9 GX 5/16X7/16 WAF IHXW 3 S ZN
30	K2099460	1	MC SIDE L



Ref #	Part Number	Qty.	Description
1	V12203602	1	DAIRY MODULE ASM
2	G5099291	4	DOOR BIN ASM SXS 48 FF AND 30 AR
3	013327-000	1	BRACKET,HDL,DES
4	008974-000	4	SCREW 10 - 32 X 3/4 SLOT HEX WASHER
5	PK930070	1	LINER DOOR SXS 48 FF
6	014008-000	1	SKIN,DOOR,SXS 48 DES FF SS
NI	014016-002	1	SKIN, DOOR, SXS 48 DES FF BK
NI	014016-003	1	SKIN, DOOR, SXS 48 DES FF BT
NI	014016-004	1	SKIN, DOOR, SXS 48 DES FF SG
NI	014016-005	1	SKIN, DOOR, SXS 48 DES FF GG
NI	014016-007	1	SKIN, DOOR, SXS 48 DES FF AL
NI	014016-008	1	SKIN, DOOR, SXS 48 DES FF BU
NI	014016-009	1	SKIN, DOOR, SXS 48 DES FF LE
NI	014016-010	1	SKIN, DOOR, SXS 48 DES FF MJ
NI	014016-011	1	SKIN, DOOR, SXS 48 DES FF FG
NI	014016-012	1	SKIN, DOOR, SXS 48 DES FF VB
NI	014016-013	1	SKIN, DOOR, SXS 48 DES FF CB
NI	014016-014	1	SKIN, DOOR, SXS 48 DES FF EP
NI	014016-015	1	SKIN, DOOR, SXS 48 DES FF PL
NI	014016-016	1	SKIN, DOOR, SXS 48 DES FF CH
NI	014016-017	1	SKIN, DOOR, SXS 48 DES FF TP
NI	014016-018	1	SKIN, DOOR, SXS 48 DES FF CW
NI	014016-019	1	SKIN, DOOR, SXS 48 DES FF OG
NI	014016-020	1	SKIN, DOOR, SXS 48 DES FF GM
NI	014016-021	1	SKIN, DOOR, SXS 48 DES FF SA
NI	014016-022	1	SKIN, DOOR, SXS 48 DES FF SE
NI	014016-023	1	SKIN, DOOR, SXS 48 DES FF IB
NI	014016-024	1	SKIN, DOOR, SXS 48 DES FF AR
NI	014016-025	1	SKIN, DOOR, SXS 48 DES FF RR
NI	014016-026	1	SKIN, DOOR, SXS 48 DES FF PM
NI	014016-027	1	SKIN, DOOR, SXS 48 DES FF MS
7	PC020276	1	PIVOT PL ASM RH LW PRO/DES
8	PD920174	5	10-32 TORX HEAD SCREW
9	M0210458	1	SCREW-SM
10	PD050019	1	STRIKER DOOR SWITCH
11	PD020043	2	NO.6-32 X .750 PH. CTRSK T(F)-VGSO166
12	014237-000	1	HANDLE, ASM, DES
13	013700-000	1	2.75 DESIGNER LOGO WITH PINS
14	PC020278	1	PIVOT PL ASM RH UP PRO/DES
15	PD020234	1	SCREW THP 10-32 X .500 SS BO
NI	011402-000	1	DOOR, SKIN, ASM SXS 48 DES FF SS
NI	011314-002	1	DOOR, SKIN, ASM, SXS 48 DES FF BK
NI	011314-003	1	DOOR, SKIN, ASM, SXS 48 DES FF BT
NI	011314-004	1	DOOR, SKIN, ASM, SXS 48 DES FF SG
NI	011314-005	1	DOOR, SKIN, ASM, SXS 48 DES FF GG
NI	011314-007	1	DOOR, SKIN, ASM, SXS 48 DES FF AL
NI	011314-008	1	DOOR, SKIN, ASM, SXS 48 DES FF BU
NI	011314-009	1	DOOR, SKIN, ASM, SXS 48 DES FF LE
NI	011314-010	1	DOOR, SKIN, ASM, SXS 48 DES FF MJ
NI	011314-011	1	DOOR, SKIN, ASM, SXS 48 DES FF FG
NI	011314-012	1	DOOR, SKIN, ASM, SXS 48 DES FF VB
NI	011314-013	1	DOOR, SKIN, ASM, SXS 48 DES FF CB
NI	011314-014	1	DOOR, SKIN, ASM, SXS 48 DES FF EP
NI	011314-015	1	DOOR, SKIN, ASM, SXS 48 DES FF PL
NI	011314-016	1	DOOR, SKIN, ASM, SXS 48 DES FF CH
NI	011314-017	1	DOOR, SKIN, ASM, SXS 48 DES FF TP
NI	011314-018	1	DOOR, SKIN, ASM, SXS 48 DES FF CW
NI	011314-019	1	DOOR, SKIN, ASM, SXS 48 DES FF OG
NI	011314-020	1	DOOR, SKIN, ASM, SXS 48 DES FF GM
NI	011314-021	1	DOOR, SKIN, ASM, SXS 48 DES FF SA

Ref #	Part Number	Qty.	Description
NI	011314-021	1	DOOR, SKIN, ASM, SXS 48 DES FF SA
NI	011314-022	1	DOOR, SKIN, ASM, SXS 48 DES FF SE
NI	011314-023	1	DOOR, SKIN, ASM, SXS 48 DES FF IB
NI	011314-024	1	DOOR, SKIN, ASM, SXS 48 DES FF AR
NI	011314-025	1	DOOR, SKIN, ASM, SXS 48 DES FF RR
NI	011314-026	1	DOOR, SKIN, ASM, SXS 48 DES FF PM
NI	011314-027	1	DOOR, SKIN, ASM, SXS 48 DES FF MS
16	005454-000	1	GASKET, ASM, 48,SXS, FF



Ref #	Part Number	Qty.	Description
1	G5098676	3	DOORBIN ASM SXS 42 & 48 FZ
2	PK930071	1	LINER DOOR SXS 48 FZ
3	013327-000	1	BRACKET,HDL,DES
4	008974-000	4	SCREW 10 - 32 X 3/4 SLOT HEX WASHER
5	014237-000	1	HANDLE, ASM, DES
6	PD020043	1	NO.6-32 X .750 PH. CTRSK T(F)-VGSO166
7	013630-000	1	SKIN,DOOR,SXS 48 DES FZ SS
NI	014022-002	1	SKIN, DOOR, SXS 48 DES FZ BK
NI	014022-003	1	SKIN, DOOR, SXS 48 DES FZ BT
NI	014022-004	1	SKIN, DOOR, SXS 48 DES FZ SG
NI	014022-005	1	SKIN, DOOR, SXS 48 DES FZ GG
NI	014022-007	1	SKIN, DOOR, SXS 48 DES FZ AL
NI	014022-008	1	SKIN, DOOR, SXS 48 DES FZ BU
NI	014022-009	1	SKIN, DOOR, SXS 48 DES FZ LE
NI	014022-010	1	SKIN, DOOR, SXS 48 DES FZ MJ
NI	014022-011	1	SKIN, DOOR, SXS 48 DES FZ FG
NI	014022-012	1	SKIN, DOOR, SXS 48 DES FZ VB
NI	014022-013	1	SKIN, DOOR, SXS 48 DES FZ CB
NI	014022-014	1	SKIN, DOOR, SXS 48 DES FZ EP
NI	014022-015	1	SKIN, DOOR, SXS 48 DES FZ PL
NI	014022-016	1	SKIN, DOOR, SXS 48 DES FZ CH
NI	014022-017	1	SKIN, DOOR, SXS 48 DES FZ TP
NI	014022-018	1	SKIN, DOOR, SXS 48 DES FZ CW
NI	014022-019	1	SKIN, DOOR, SXS 48 DES FZ OG
NI	014022-020	1	SKIN, DOOR, SXS 48 DES FZ GM
NI	014022-021	1	SKIN, DOOR, SXS 48 DES FZ SA
NI	014022-022	1	SKIN, DOOR, SXS 48 DES FZ SE
NI	014022-023	1	SKIN, DOOR, SXS 48 DES FZ IB
NI	014022-024	1	SKIN, DOOR, SXS 48 DES FZ AR
NI	014022-025	1	SKIN, DOOR, SXS 48 DES FZ RR
NI	014022-026	1	SKIN, DOOR, SXS 48 DES FZ PM
NI	014022-027	1	SKIN, DOOR, SXS 48 DES FZ MS
8	PD050019	1	STRIKER DOOR SWITCH
9	M0210458	2	SCREW-SM
10	PD920174	8	10-32 TORX HEAD SCREW
11	PC020277	1	PIVOT PL ASM LH LW PRO/DES
12	PC020279	1	PIVOT PL ASM LH UP PRO/DES
13	PD020234	1	SCREW THP 10-32 X .500 SS BO
NI	011423-000	1	DOOR,SKIN,ASM,SXS 48 DES FZ SS
NI	011330-002	1	DOOR, SKIN, ASM, SXS 48 DES FZ BK
NI	011330-003	1	DOOR, SKIN, ASM, SXS 48 DES FZ BT
NI	011330-004	1	DOOR, SKIN, ASM, SXS 48 DES FZ SG
NI	011330-005	1	DOOR, SKIN, ASM, SXS 48 DES FZ GG
NI	011330-007	1	DOOR, SKIN, ASM, SXS 48 DES FZ AL
NI	011330-008	1	DOOR, SKIN, ASM, SXS 48 DES FZ BU
NI	011330-009	1	DOOR, SKIN, ASM, SXS 48 DES FZ LE
NI	011330-010	1	DOOR, SKIN, ASM, SXS 48 DES FZ MJ
NI	011330-011	1	DOOR, SKIN, ASM, SXS 48 DES FZ FG
NI	011330-012	1	DOOR, SKIN, ASM, SXS 48 DES FZ VB
NI	011330-013	1	DOOR, SKIN, ASM, SXS 48 DES FZ CB
NI	011330-014	1	DOOR, SKIN, ASM, SXS 48 DES FZ EP
NI	011330-015	1	DOOR, SKIN, ASM, SXS 48 DES FZ PL
NI	011330-016	1	DOOR, SKIN, ASM, SXS 48 DES FZ CH
NI	011330-017	1	DOOR, SKIN, ASM, SXS 48 DES FZ TP
NI	011330-018	1	DOOR, SKIN, ASM, SXS 48 DES FZ CW
NI	011330-019	1	DOOR, SKIN, ASM, SXS 48 DES FZ OG
NI	011330-020	1	DOOR, SKIN, ASM, SXS 48 DES FZ GM
NI	011330-021	1	DOOR, SKIN, ASM, SXS 48 DES FZ SA
NI	011330-022	1	DOOR, SKIN, ASM, SXS 48 DES FZ SE
NI	011330-023	1	DOOR, SKIN, ASM, SXS 48 DES FZ IB

Ref #	Part Number	Qty.	Description
NI	011330-023	1	DOOR, SKIN, ASM, SXS 48 DES FZ IB
NI	011330-024	1	DOOR, SKIN, ASM, SXS 48 DES FZ AR
NI	011330-025	1	DOOR, SKIN, ASM, SXS 48 DES FZ RR
NI	011330-026	1	DOOR, SKIN, ASM, SXS 48 DES FZ PM
NI	011330-027	1	DOOR, SKIN, ASM, SXS 48 DES FZ MS
14	005455-000	1	GASKET,ASM,48,SXS,FZ VIDNO. 602711917-17