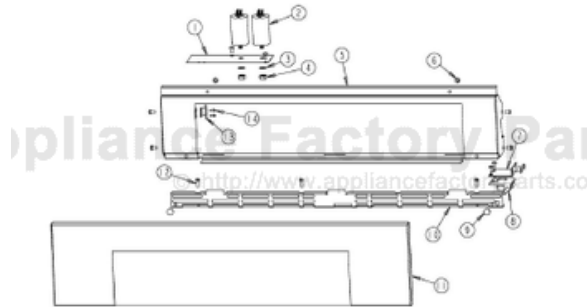


This Owner's Manual is provided and hosted by [Appliance Factory Parts](#).



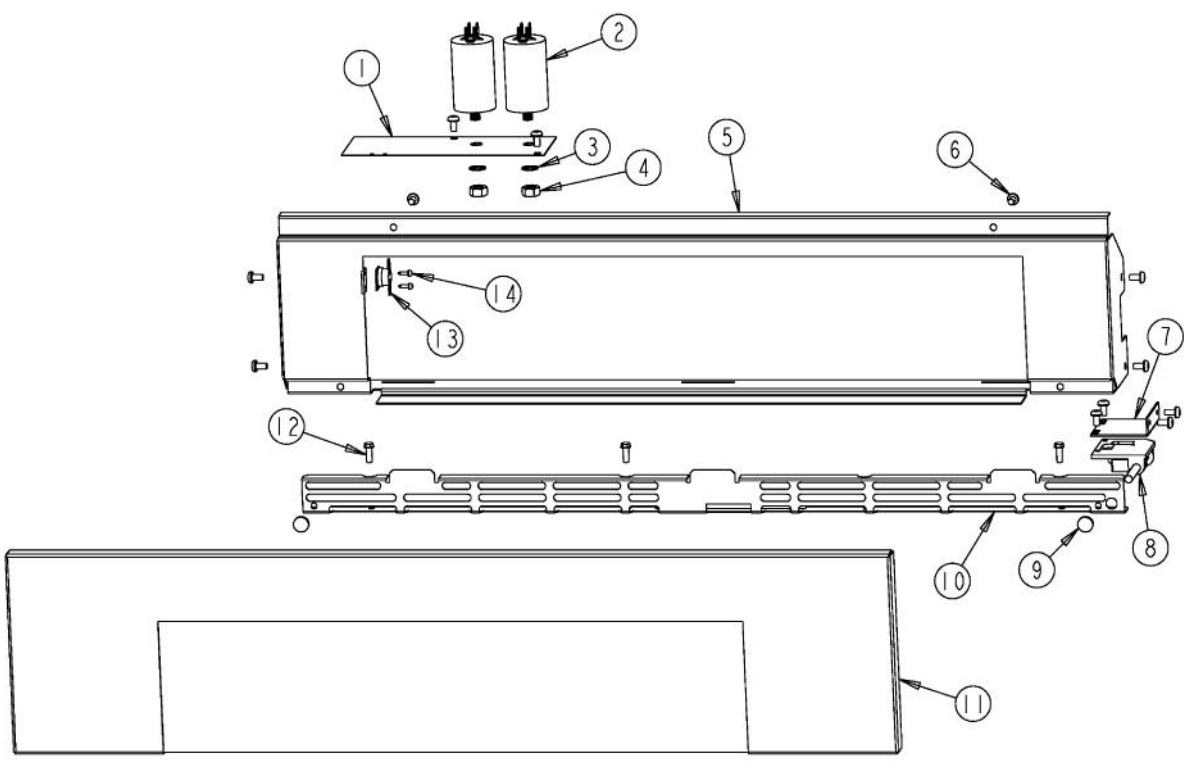
VIKING DEDO130T Owner's Manual

[Shop genuine replacement parts for VIKING DEDO130T](#)

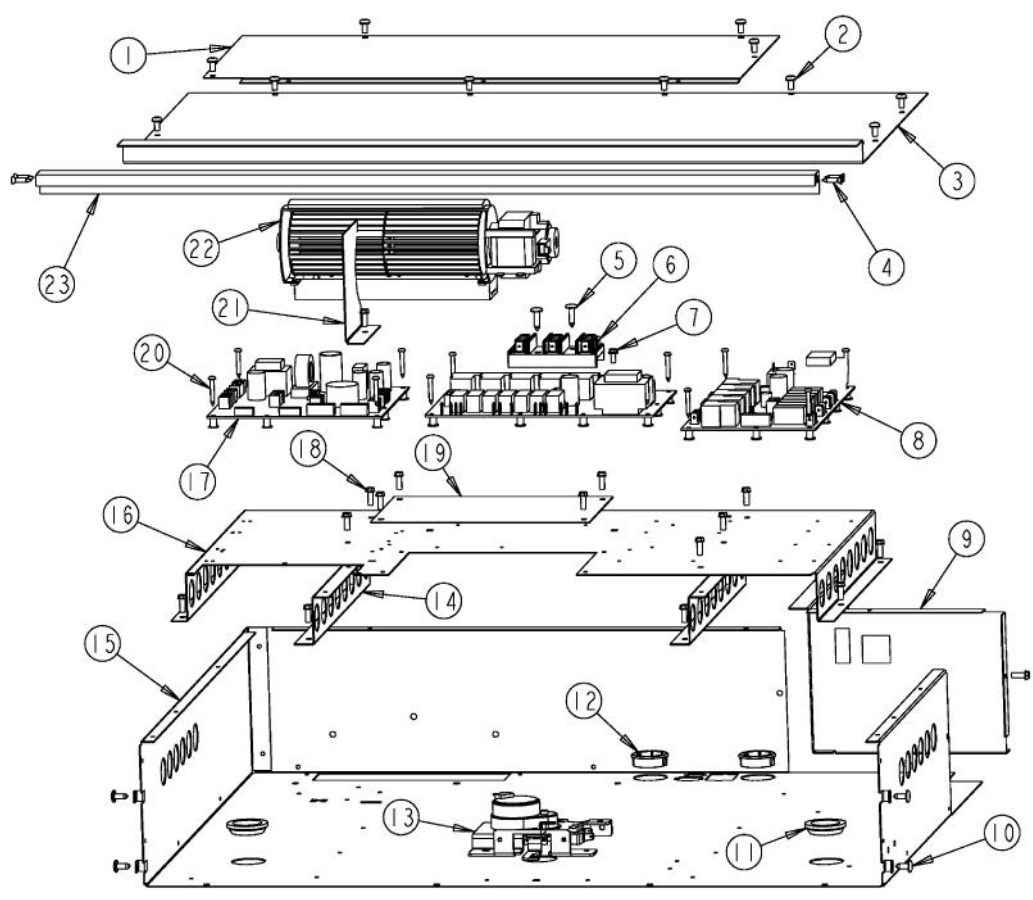


[Find Your VIKING Oven Parts - Select From 98 Models](#)

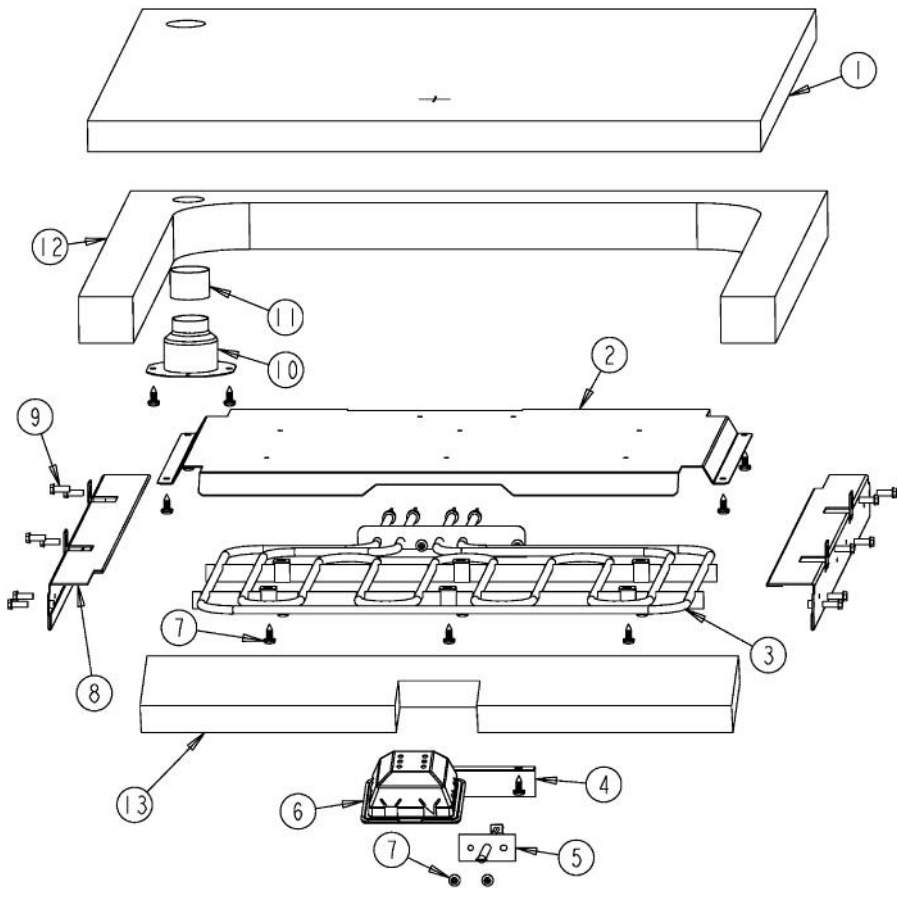
----- Manual continues below -----



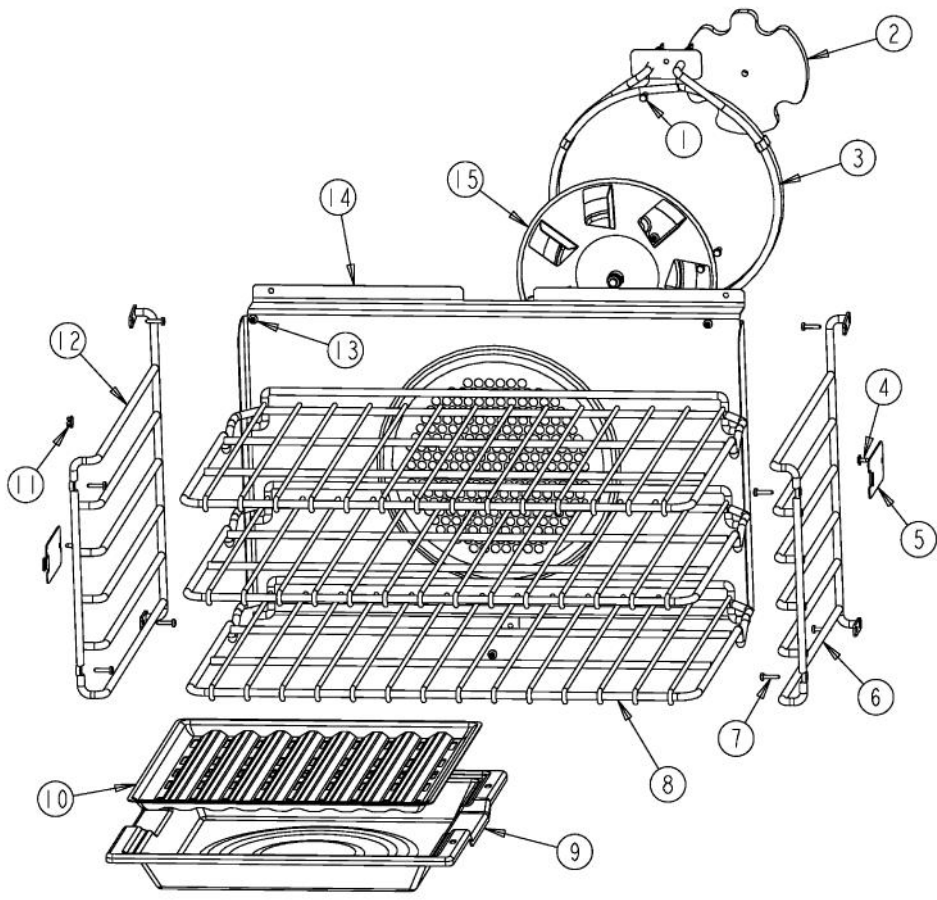
Ref #	Part Number	Qty.	Description
1	A10014028		2 CAPACITOR BRACKET
2	PE050247		EBM FAN MOTOR CAPACITOR
3	PD040164		5/16 INTERNAL TOOTH LOCK WASHER TYPE A
4	PD030172		M8 X 1.25MM NUT
5	A20014024		30 TOUCH CONTROL MTG. PANEL
6	PD020004		10X3/8PH.HD.TYPE 25 REPL PD040125
7	A20012649		DOOR SWITCH BRACKET
8	PE050208		DOOR SWITCH
9	PD040004		GROMMET BUMPER
10	C90014072BK		30 INLET GRILL
11	PS500028BK		30 SELECT TOUCH DOUBLE CONTROL PANEL ASSEMBLY -...
11	PS500028BT		30 SELECT TOUCH DOUBLE CONTROL PANEL ASSEMBLY -...
11	PS500028GG		30 SELECT TOUCH DOUBLE CONTROL PANEL ASSEMBLY -...
11	PS500028SG		30 SELECT TOUCH DOUBLE CONTROL PANEL ASSEMBLY -...
11	PS500028SS		30 SELECT TOUCH DOUBLE CONTROL PANEL ASSEMBLY -...
11	PS500028WH		30 SELECT TOUCH DOUBLE CONTROL PANEL ASSEMBLY -...
12	PD020060		10 X 1/2 (5/16)HEX WSHR HD.(T)A
13	PJ030043		BI-METAL THERMOSTAT (N.C.) 180 DEGREES
14	PD020013		TYPE AB NO.6 X 3/8 PH PAN HD. SMS



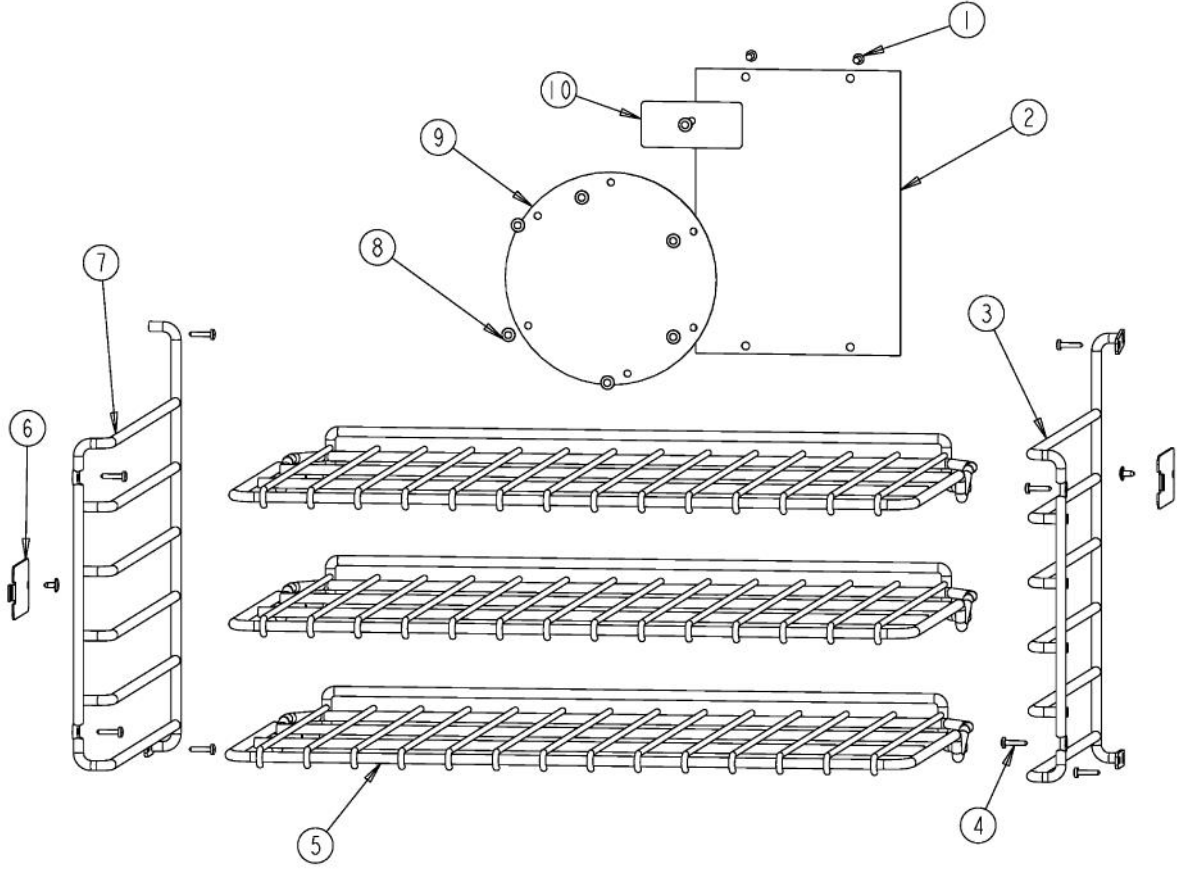
Ref #	Part Number	Qty.	Description
1	A20014049		30 REAR COVER
2	PD020004		10X3/8PH.HD.TYPE 25 REPL PD040125
3	A20014048		30 FRONT COVER
4	PD020061		NO.8 X 3/4 FLAT HD TEK. SS.
5	PD020014		10X3/4 PH TR HD SMS
6	PE070147		TERMINAL BLOCK
7	PD020010		10 X 3/8 GREEN GROUNDING SCREW
8	PE050234		RELAY BOARD
9	A20010934		BRACKET, MODULE PAN
10	PD020002		10 X 1/2 PH.TR.HD.SMS.
11	PB070079		SILICONE EXTRUSION (DGSU)
12	PD040152		SNAP BUSHING
13	PE050210		DOOR LATCH
14	A20010910		BRACKET, SUPPORT, ELECTRONICS HAT
15	A2009643		MODULE PAN, TOP 30
16	A2009672		ELECTRONICS HAT
17	PE050233		CONTROL BOARD
18	PD020060		10 X 1/2 (5/16)HEX WSHR HD.(T)A
19	A10010911		COVER, LATCH
20	PD020185		NO.6 X 1 PAN HEAD SCREW
21	A2009667		REAR AIR DIVIDER
22	PE050250		PREMIUM BLOWER WITH HES
23	PE040280		30 DES. TOP TRIM



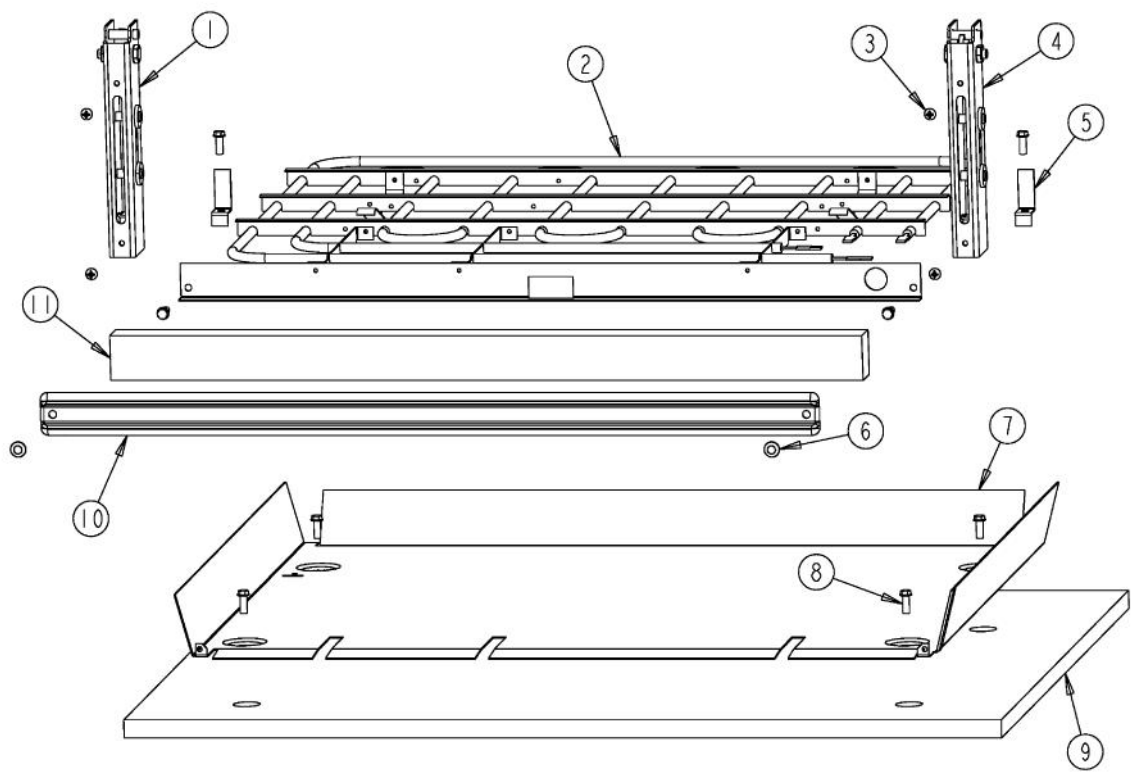
Ref #	Part Number	Qty.	Description
1	PB070308		30 TOP INSULATION
2	A20014021		REFLECTOR, BROIL
3	PJ010049		BROIL ELEMENT
4	A20014044		BROIL ELEMENT SHIELD
5	PE050206		RTD THERMOSTAT PROBE
6	PE050239		HALOGEN LAMP
7	PD020055		NO.10 X 1/2 PAN PHIL. TEK. SS
8	A2009641		BRKT, TOP WRAPPER
9	PD020060		10 X 1/2 (5/16)HEX WSHR HD.(T)A
10	PM010014		SMOKE ELIMINATOR (VDSC)
11	PB020275		VENT TUBE
12	PB070305		30 TOP BROIL INSULATION
13	PB070337		LINER FRONT INSULATION



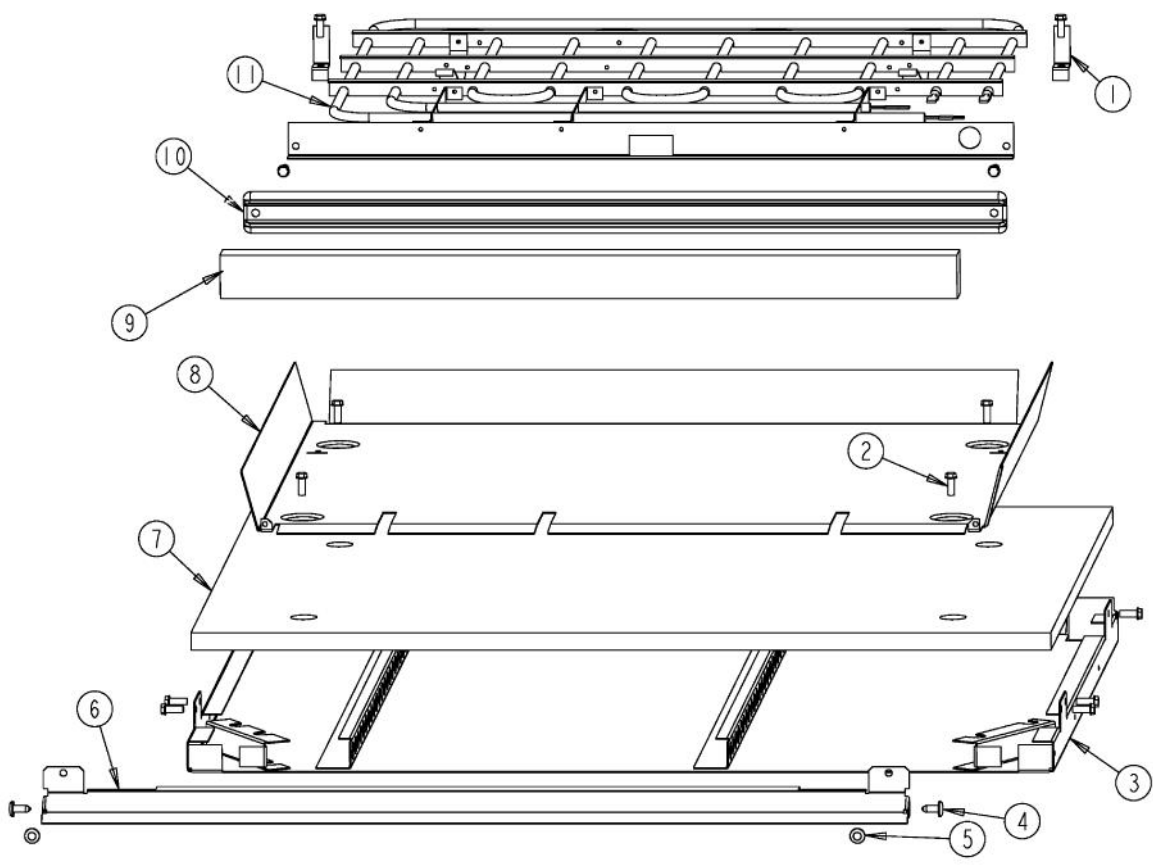
Ref #	Part Number	Qty.	Description
1	PD020060		10 X 1/2 (5/16)HEX WSHR HD.(T)A
2	PB070312		CONVECTION MOTOR MTG. PLATE INSULATION
3	PJ010047		CONVECTION ELEMENT
4	PD020063		SCREW-NO.8(A) X 3/8PH WFR HD/BK OXID
5	E91012614		LIGHT HOLE COVER
6	PB060103		RACK SUPPORT RH
7	PD020232		NO.8 X 3/4 PH PAN HEAD TEK SCREW (BLACK OXIDE)
8	PB060107		30 OVEN RACK
9	E9107933		BROILER PAN
10	E9107934		BROILER PAN INSERT
11	E91014053		PORCELAIN 25/64 HOLE PLUG
12	PB060104		RACK SUPPORT LH
13	PD020055		NO.10 X 1/2 PAN PHIL. TEK. SS
14	G91013598		30 BAFFLE ASSEMBLY
15	G32014020		CONVECTION FAN ASSY



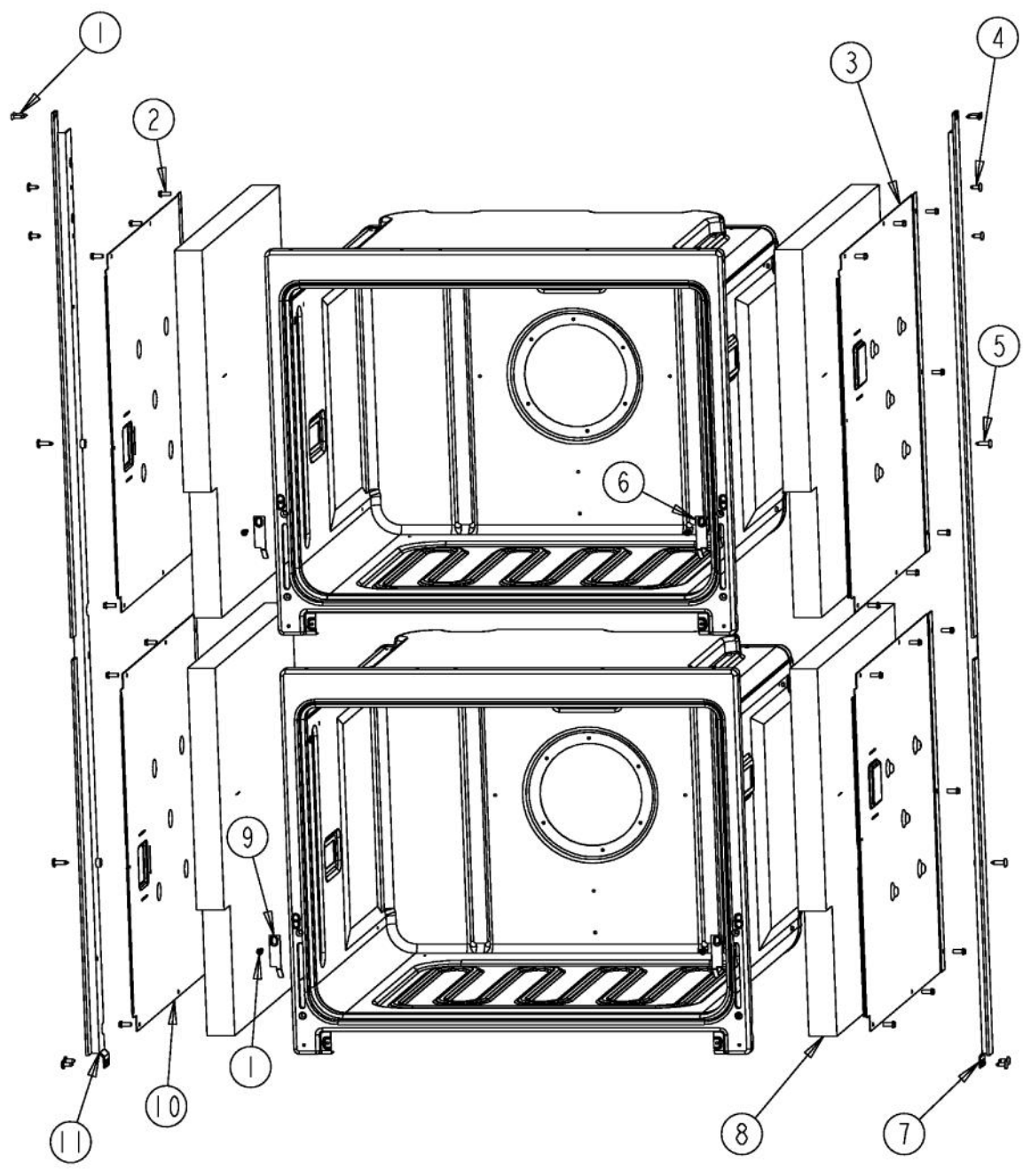
Ref #	Part Number	Qty.	Description
1	PD020060		10 X 1/2 (5/16)HEX WSHR HD.(T)A
2	PD020232		NO.8 X 3/4 PH PAN HEAD TEK SCREW (BLACK OXIDE)
3	PB060107		30 OVEN RACK
4	PD020063		SCREW-NO.8(A) X 3/8PH WFR HD/BK OXID
5	PB060103		RACK SUPPORT RH
6	PB060104		RACK SUPPORT LH
7	A10012648		BACK COVER
8	E91012616		CONV. ELEMENT HOLE COVER
9	E91012615		CONVECTION HOLE COVER
10	E91012614		LIGHT HOLE COVER



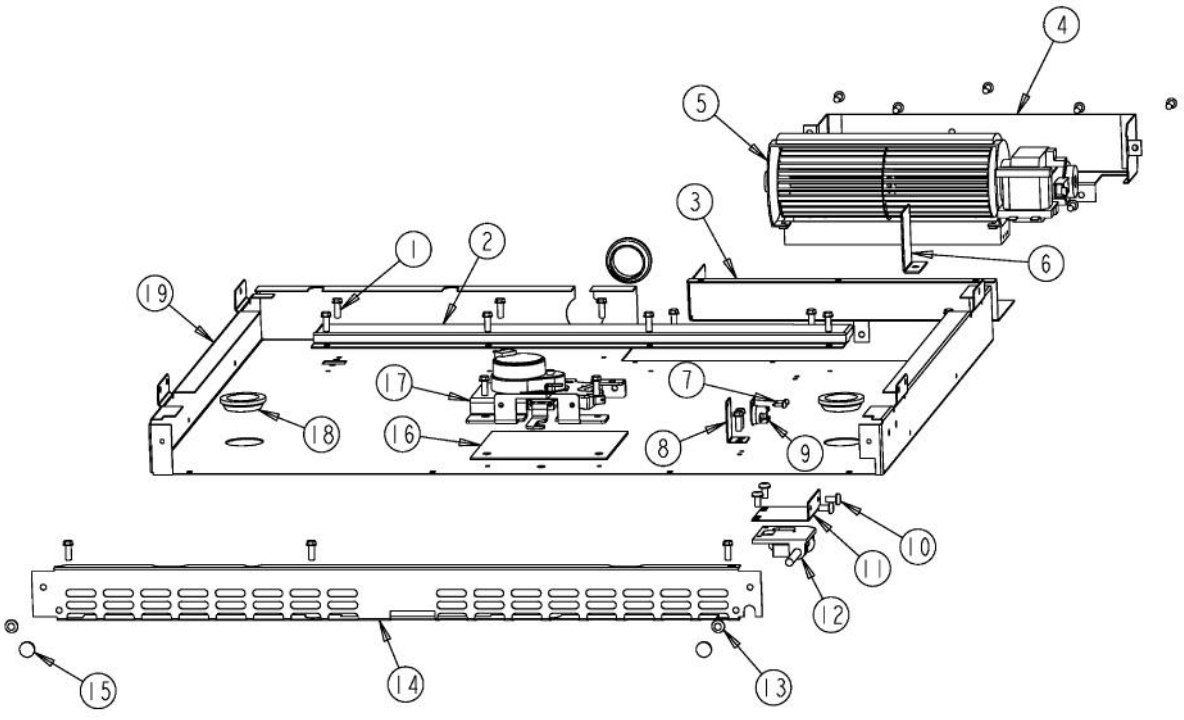
Ref #	Part Number	Qty.	Description
1	PC020247		HINGE POCKET RECEIVER MANSFIELD LH
2	PJ010048		BAKE ELEMENT
3	PD020062		NO.8-32 X 3/8 PHMS TYPE 1
4	PC020221		HINGE POCKET RECEIVER MANSFIELD RH
5	A2009696		HOLDER, BAKE ELEMENT
6	PD020063		SCREW-NO.8(A) X 3/8PH WFR HD/BK OXID
7	A2009612		ELEMENT, MTG TRAY
8	PD020060		10 X 1/2 (5/16)HEX WSHR HD.(T)A
9	PB070303		30 BOTTOM INSULATION
10	E2109655		COVER, BAKE TRAY
11	PB070309		BAKE ELEMENT INSULATION



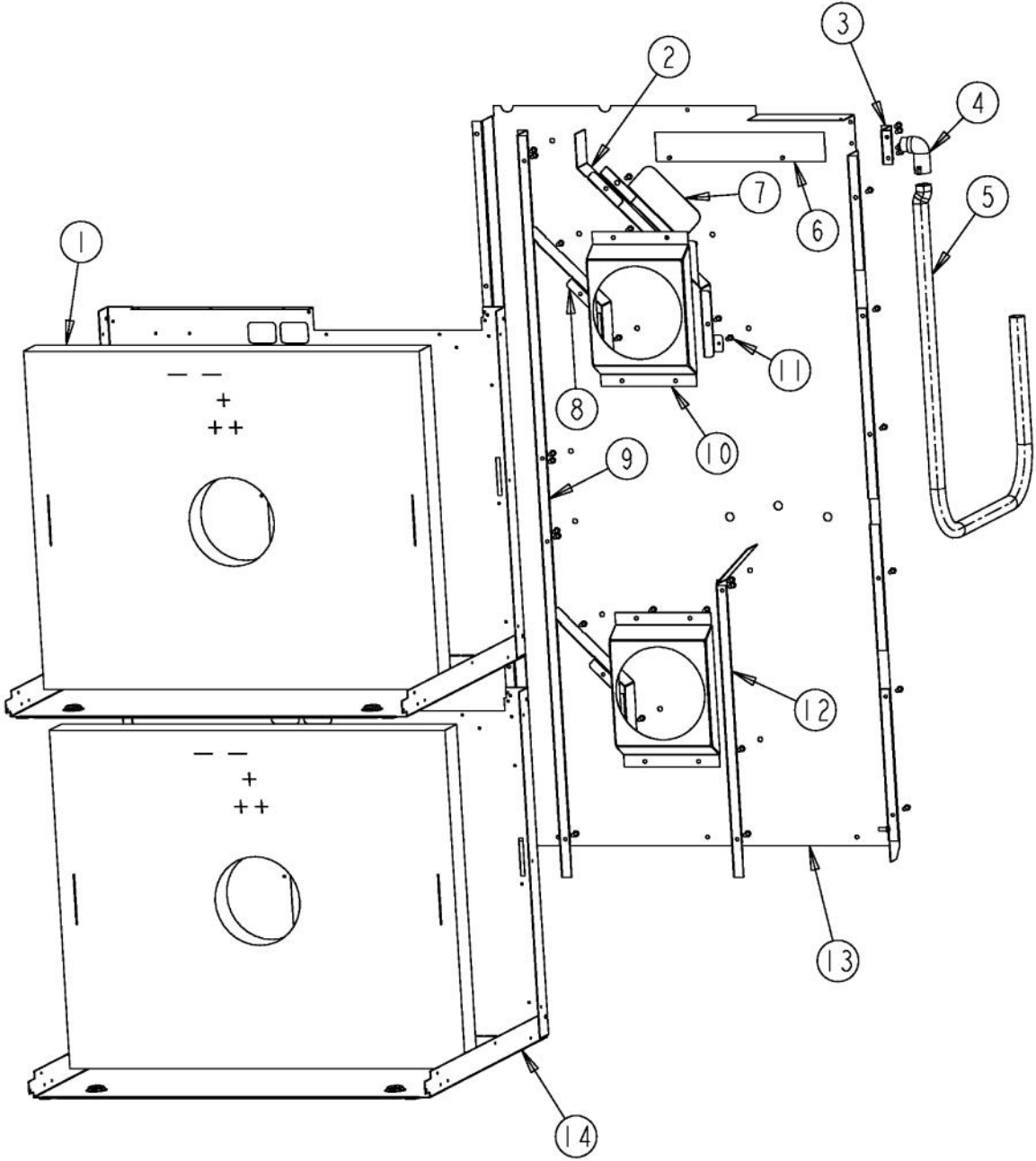
Ref #	Part Number	Qty.	Description
1	A2009696		HOLDER, BAKE ELEMENT
2	PD020060		10 X 1/2 (5/16)HEX WSHR HD.(T)A
3	G3009694		BASE MODULE ASSY 30
4	PD020002		10 X 1/2 PH.TR.HD.SMS.
5	PD020063		SCREW-NO.8(A) X 3/8PH WFR HD/BK OXID
6	C9009676BK		BOTTOM AIR DEFLECTOR 30
7	PB070303		30 BOTTOM INSULATION
8	A2009612		ELEMENT, MTG TRAY
9	PB070309		BAKE ELEMENT INSULATION
10	E9109655		BAKE TRAY COVER
11	PJ010048		BAKE ELEMENT



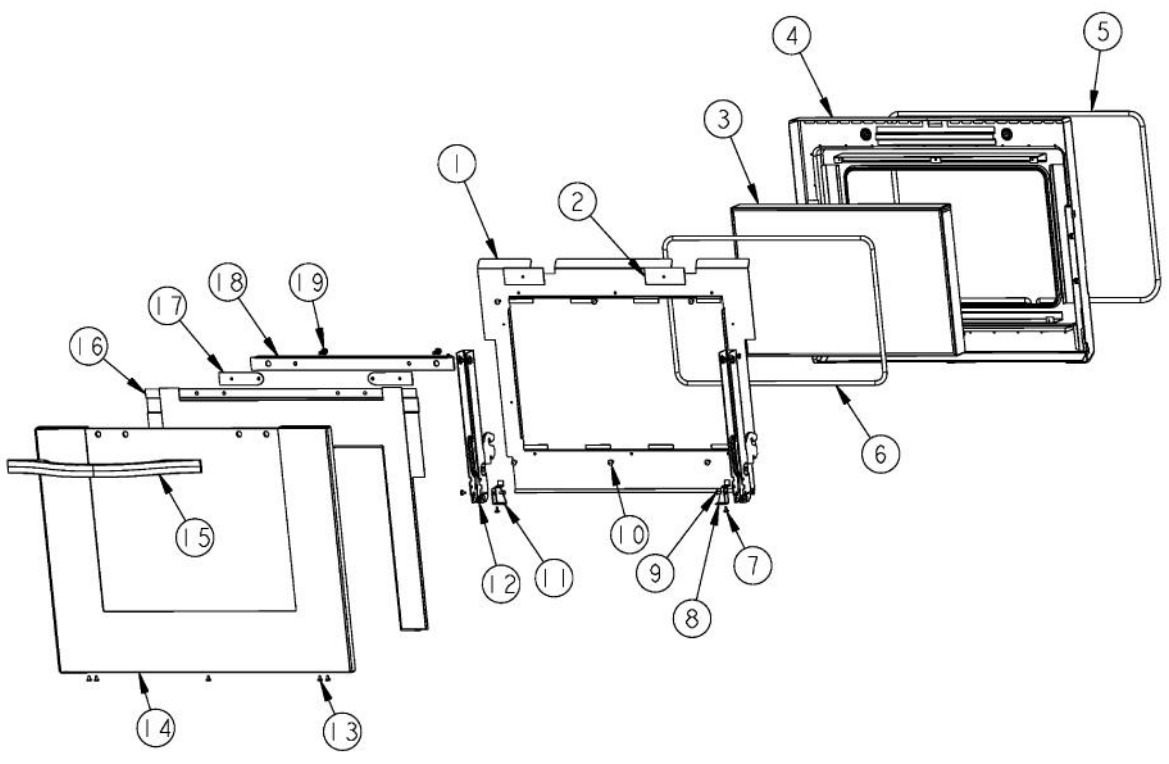
Ref #	Part Number	Qty.	Description
1	PD020061		NO.8 X 3/4 FLAT HD TEK. SS.
2	PD020060		10 X 1/2 (5/16)HEX WSHER HD.(T)A
3	A2009622		BRKT, TOP WRAPPER, RIGHT
4	PD020002		10 X 1/2 PH.TR.HD.SMS.
5	PD020014		10X3/4 PH TR HD SMS
6	B21010915		HINGE CLIP ? RH
7	PE040283		DES. DOUBLE SIDE TRIM RH
8	PB070302		SIDE INSULATION
9	B21010916		HINGE CLIP ? LH
10	A20012650		BRKT, TOP WRAPPER LEFT
11	PE040284		DES. DOUBLE SIDE TRIM LH



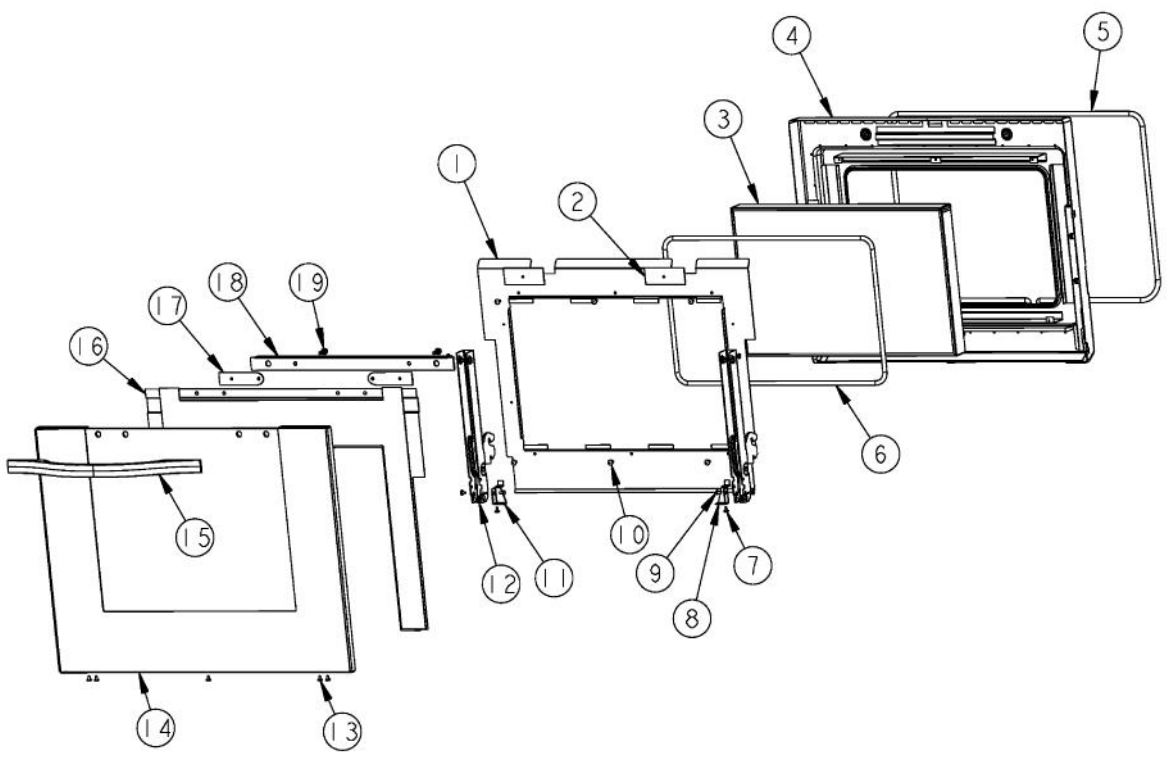
Ref #	Part Number	Qty.	Description
1	PD020060		10 X 1/2 (5/16)HEX WSHER HD.(T)A
2	A2009682		CATALYST EXHAUST, MIDDLE MODULE
3	A2009659		BRACKET, FILLER, BLOWER
4	A3009660		BRACKET, BLOWER, DBL LOWER OVEN
5	PE050250		PREMIUM BLOWER WITH HES
6	A20014036		BOTTOM BLOWER DIVIDER
7	PD020013		TYPE AB NO.6 X 3/8 PH PAN HD. SMS
8	A20014089		DISC BRACKET
9	PJ030039		BI-METAL THERMOSTAT 275 DEGREES
10	PD020004		10X3/8PH.HD.TYPE 25 REPL PD040125
11	A20012649		DOOR SWITCH BRACKET
12	PE050208		DOOR SWITCH
13	PD020063		SCREW-NO.8(A) X 3/8PH WFR HD/BK OXID
14	C9009680BK		INLET GRILL DBL LOWER OVEN 30
15	PD040004		GROMMET BUMPER
16	PB070321		LOWER LATCH INSULATION
17	PE050210		DOOR LATCH
18	PB070079		SILICONE EXTRUSION (DGSU)
19	A2009661		MODULE PAN 30



Ref #	Part Number	Qty.	Description
1	PB070304		30 BACK INSULATION
2	A21010918		BRACKET, AIR, CONVECTION MOTOR
3	A2009671		BRACKET, POWER CABLE
4	PB040070		CONDUIT FITTING (90 DEG)
5	PB020071		CONDUIT - FLEXIBLE (48)
6	A10010907		COVER, BLOWER
7	A20014052		WIRE SHIELD
8	A21010919		BRACKET, AIR, CONVECTION MOTOR
9	A2009684		REAR AIR DIVIDER, DOUBLE OVEN
10	A2009697		BRACKET, CONVECTION INSULATION
11	PD020060		10 X 1/2 (5/16)HEX WSHR HD.(T)A
12	A2009699		REAR AIR DIVIDER, DBL, LOWER OVEN
13	A2009683		PANEL, REAR
14	A2009620		BASE, BACK WRAPPER



Ref #	Part Number	Qty.	Description
1	A2009632		PANEL, INULATION, INNER DOOR
2	PB070336		DOOR BRACKET INSULATION
3	PE060094		30 WINDOW PACK
4	G9109625		DOOR LINER PORC.
5	PB070246		30 DOOR GASKET
6	000594-000		BLACK FIBERGLASS ROPE 3/8
7	PD020063		SCREW-NO.8(A) X 3/8PH WFR HD/BK OXID
8	A20012640		HINGE SUPPORT RH
9	PD020004		10X3/8PH.HD.TYPE 25 REPL PD040125
10	PD020002		10 X 1/2 PH.TR.HD.SMS.
11	A20012641		HINGE SUPPORT LH
12	PC020220		SUB TO 006070-000 - DOOR HINGE MANSFIELD 30
13	PD020032		SRW-8(A)X3/8PH.WFR HD 7/16DIAXNICL
14	001451-002		30 DES DOOR SKIN KIT W/LOGO - BK
14	001451-003		30 DES DOOR SKIN KIT W/LOGO - BT
14	001451-005		30 DES DOOR SKIN KIT W/LOGO - GG
14	001451-004		30 DES DOOR SKIN KIT W/LOGO - SG
14	001451-000		30 DES DOOR SKIN KIT W/LOGO - SS
14	001451-006		30 DES DOOR SKIN KIT W/LOGO - WH
15	PE030167		30 DOOR HANDLE
15	PE030167PVD		30 DOOR HANDLE PVD
16	001497-000		DESIGNER 30`` INSULATION RETAINER KIT
17	PC050002		DESIGNER DOOR HANDLE SPACER
18	PE040285		DESIGNER DOOR TRIM
19	PD020186		1/4-20 X 3/4 HEX WASHER HEAD MS
NI	G32012750BK		30 DOOR ASSY W/LOGO XBKX
NI	G32012750BKBR		30 DOOR ASSY W/LOGO XBKBRX
NI	G32012750BT		30 DOOR ASSY W/LOGO XBTX
NI	G32012750BTBR		30 DOOR ASSY W/LOGO XBTBRX
NI	G32012750GG		30 DOOR ASSY W/LOGO XGGX
NI	G32012750GGBR		30 DOOR ASSY W/LOGO XGGBRX
NI	G32012750SG		30 DOOR ASSY W/LOGO XSGX
NI	G32012750SGBR		30 DOOR ASSY W/LOGO XSGBRX
NI	G32012750SS		30 DOOR ASSY W/LOGO
NI	G32012750SSBR		30 DOOR ASSY W/LOGO XSSBRX
NI	G32012750WH		30 DOOR ASSY W/LOGO XWHX
NI	G32012750WHBR		COMPLETE DOOR ASSEMBLY - WHBR
NI	017736-000	1	WINDOW PACK INSULATION KIT



Ref #	Part Number	Qty.	Description
1	A2009632		PANEL, INULATION, INNER DOOR
2	PB070336		DOOR BRACKET INSULATION
3	PE060094		30 WINDOW PACK
4	G9109625		DOOR LINER PORC.
5	PB070246		30 DOOR GASKET
6	000594-000		BLACK FIBERGLASS ROPE 3/8
7	PD020063		SCREW-NO.8(A) X 3/8PH WFR HD/BK OXID
8	A20012640		HINGE SUPPORT RH
9	PD020004		10X3/8PH.HD.TYPE 25 REPL PD040125
10	PD020002		10 X 1/2 PH.TR.HD.SMS.
11	A20012641		HINGE SUPPORT LH
12	PC020220		SUB TO 006070-000 - DOOR HINGE MANSFIELD 30
13	PD020032		SRW-8(A)X3/8PH.WFR HD 7/16DIAXNICL
14	001452-002		30 DES DOOR SKIN KIT W/O LOGO - BK
14	001452-003		30 DES DOOR SKIN KIT W/O LOGO - BT
14	001452-005		30 DES DOOR SKIN KIT W/O LOGO - GG
14	001452-004		30 DES DOOR SKIN KIT W/O LOGO - SG
14	001452-000		30 DES DOOR SKIN KIT W/O LOGO - SS
14	001452-006		30 DES DOOR SKIN KIT W/O LOGO - WH
15	PE030167		30 DOOR HANDLE
15	PE030167PVD		30 DOOR HANDLE PVD
16	001497-000		DESIGNER 30`` INSULATION RETAINER KIT
17	PC050002		DESIGNER DOOR HANDLE SPACER
18	PE040285		DESIGNER DOOR TRIM
19	PD020186		1/4-20 X 3/4 HEX WASHER HEAD MS
NI	G32014008BK		30 DOOR ASSY W/O LOGO XBKX
NI	G32014008BKBR		30 DOOR ASSY W/O LOGO XBKBRX
NI	G32014008BT		30 DOOR ASSY W/O LOGO XBTX
NI	G32014008BTBR		30 DOOR ASSY W/O LOGO XBTBRX
NI	G32014008GG		30 DOOR ASSY W/O LOGO XGGX
NI	G32014008GGBR		30 DOOR ASSY W/O LOGO XGGBRX
NI	G32014008SG		30 DOOR ASSY W/O LOGO XSGX
NI	G32014008SGBR		30 DOOR ASSY W/O LOGO XSGBRX
NI	G32014008SS		30 DOOR ASSY W/O LOGO
NI	G32014008SSBR		30 DOOR ASSY W/O LOGO XSBRX
NI	G32014008WH		30 DOOR ASSY W/O LOGO XWHX
NI	G32014008WHBR		COMPLETE DOOR ASSEMBLY - WHBR
NI	017736-000	1	WINDOW PACK INSULATION KIT

*No Image
Available*

Ref #	Part Number	Qty.	Description
1	A2009632	1	PANEL, INULATION, INNER DOOR
2	PB070336	1	DOOR BRACKET INSULATION