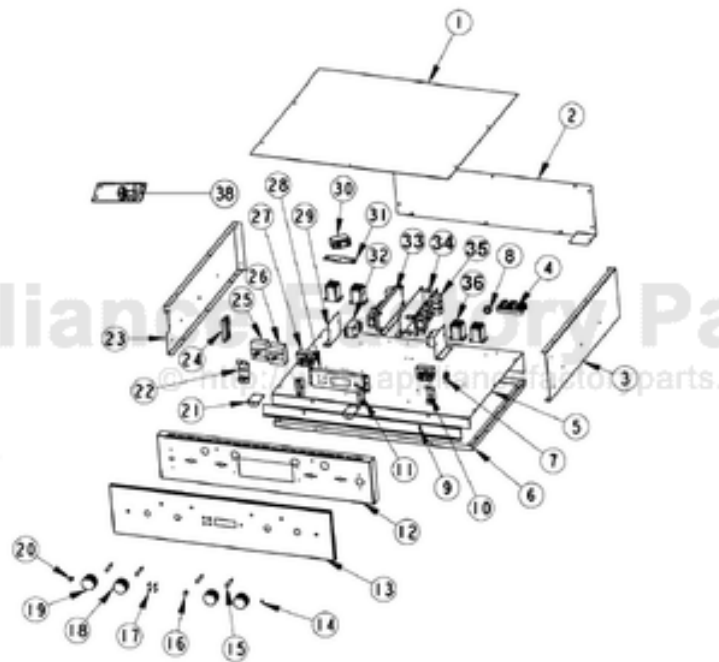


This Owner's Manual is provided and hosted by [Appliance Factory Parts](#).



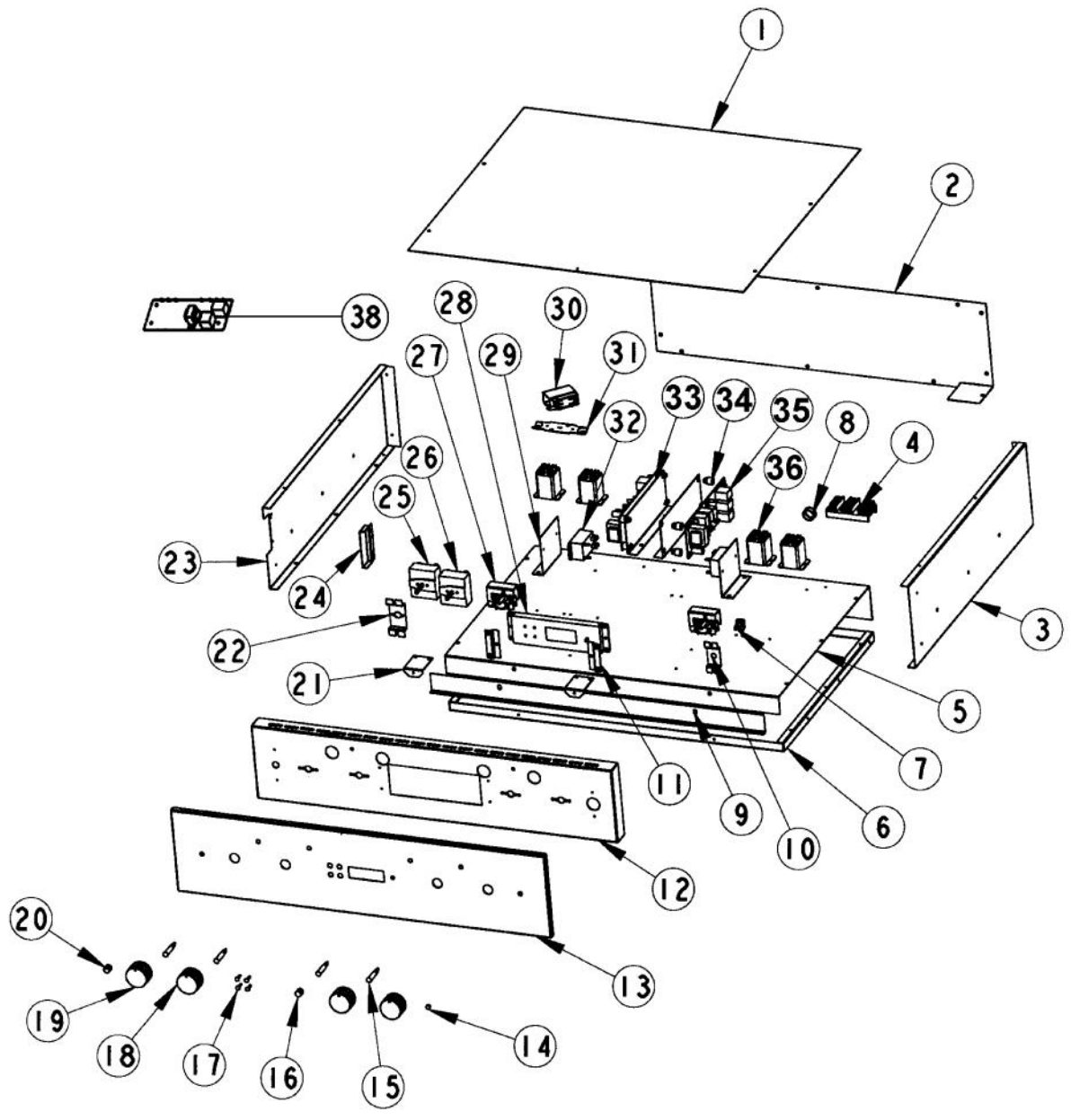
VIKING DEDO200 Owner's Manual

[Shop genuine replacement parts for VIKING DEDO200](#)



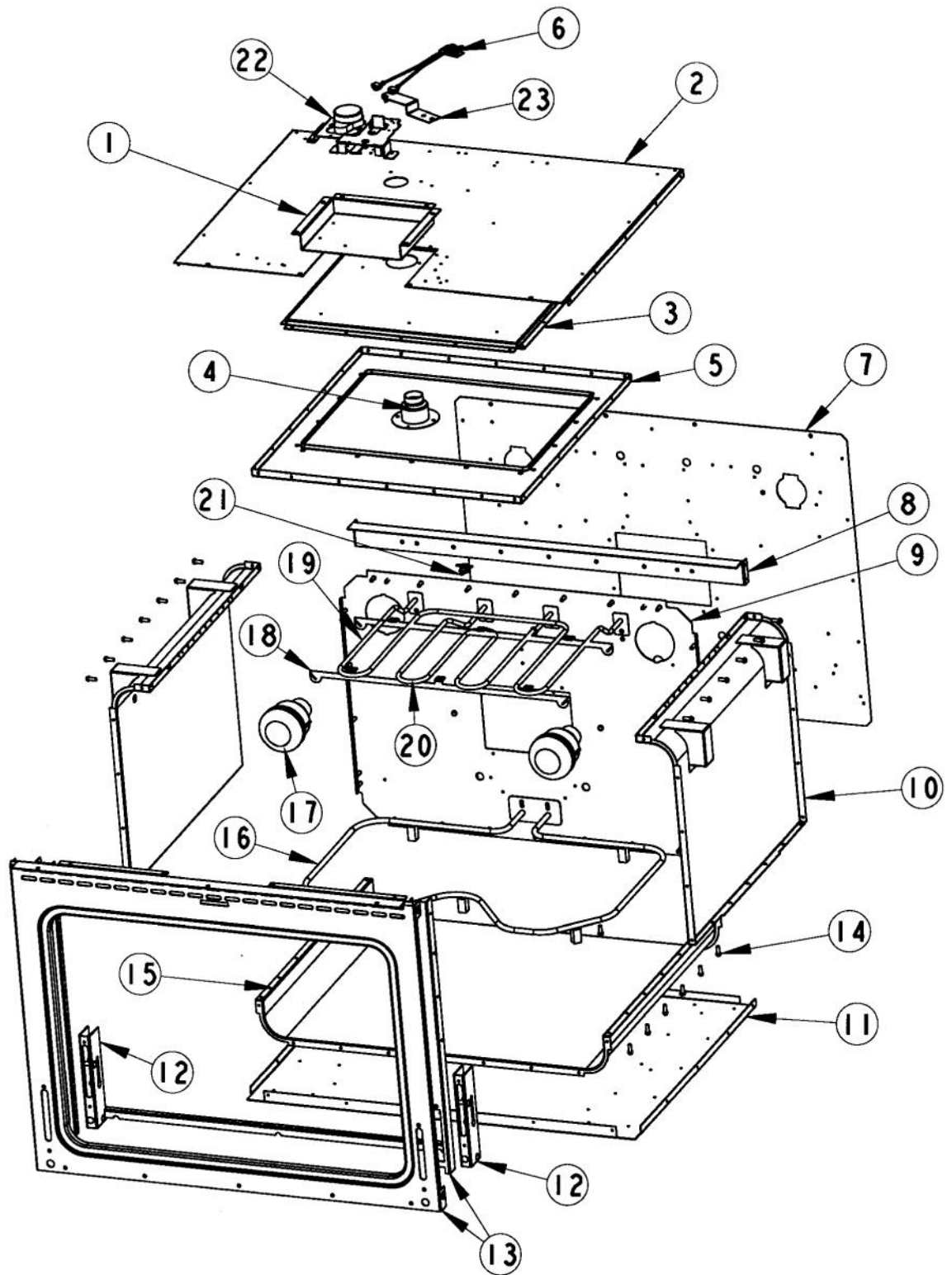
[Find Your VIKING Oven Parts - Select From 98 Models](#)

----- Manual continues below -----

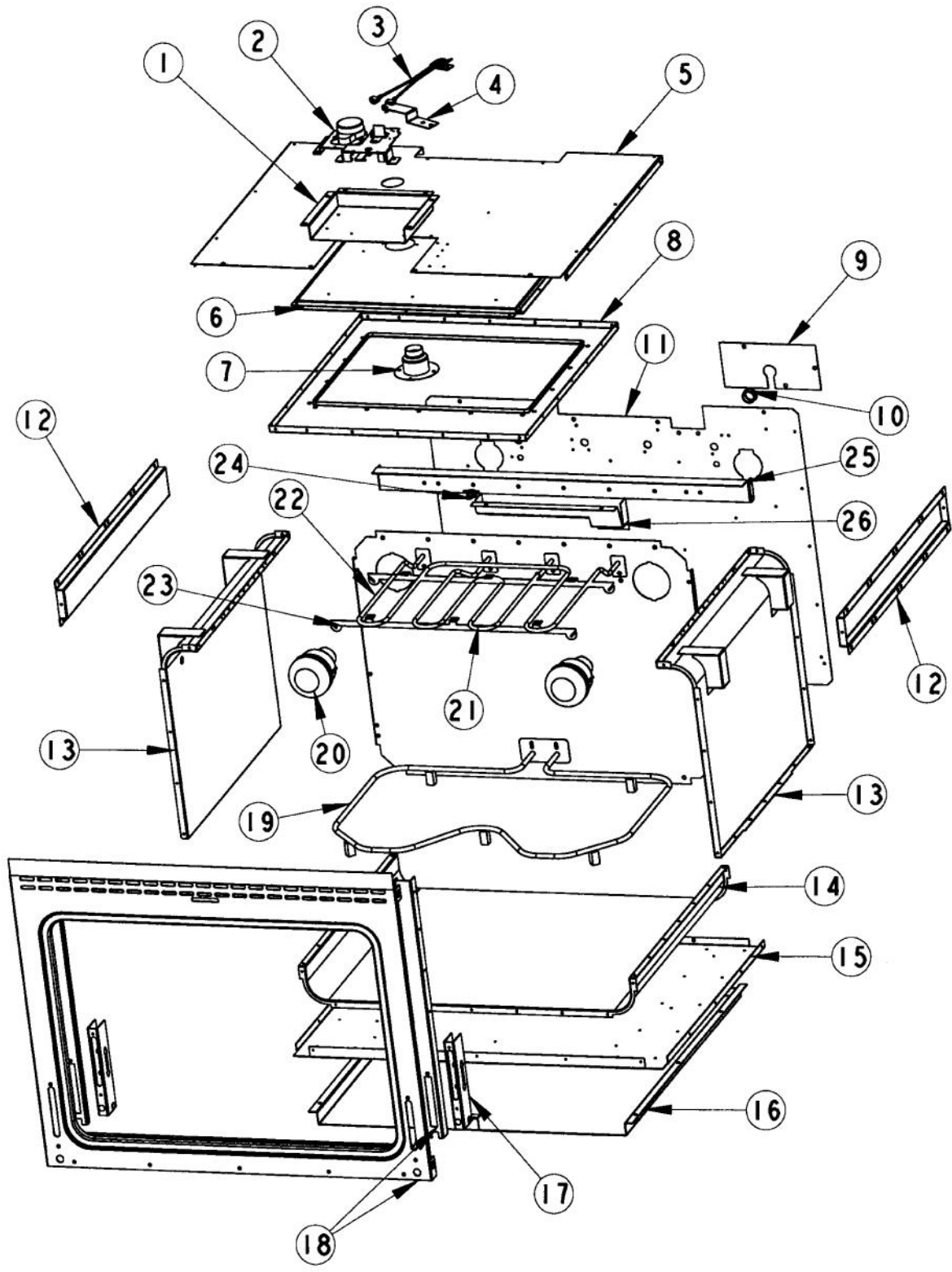


Ref #	Part Number	Qty.	Description
1	A2006142		DESIGNER OVEN CABINET TOP
2	A2006108		30 INCH TOP REAR COVER
3	A2006122		CABINET SIDE RH
4	PE070147		TERMINAL BLOCK
5	NOT REPLACABLE		LABEL
6	NOT REPLACABLE		LABEL
7	G4008423		DESIGNER OVEN LIGHT SWITCH ASSY
8	PD040005		SNAP BUSHING - 7/8
9	A2006184		FRONT SANDWICH PANEL ANGLE 30
10	A2006101		OVEN LIGHT SWITCH BRACKET
11	A2006098		CLOCK MOUNTING BRACKET
12	E9106134		CONTROL MOUNTING PANEL 30 (DEDO200)
13	B9206138		CONTROL PANEL - DEDO 200 (SS) (BEFORE 3/01/02)
	C9206138BK		CTRL PAN DEDO200 XBKX SLK. SC. (BEFORE 3/01/02)
	C9206138BT		CTRL PAN DEDO200 XBTX SLK. SC. (BEFORE 3/01/02)
	C9206138GG		CTRL PAN DEDO200 XGGX SLK. SC. (BEFORE 3/01/02)
	C9206138SG		CTRL PAN DEDO200 XSGX SLK. SC. (BEFORE 3/01/02)
	C9206138WH		CTRL PAN DEDO200 XWHX SLK. SC. (BEFORE 3/01/02)
	B9207962		CONTROL PANEL 30 (AFTER 3/01/02)
	C9207962BK		CTRL PANEL 30 XBKX SLK. SC. (AFTER 3/01/02)
	C9207962BT		CTRL PANEL 30 XBTX SLK. SC. (AFTER 3/01/02)
	C9207962GG		CTRL PANEL 30 XGGX SLK. SC. (AFTER 3/01/02)
	C9207962SG		CTRL PANEL 30 XSGX SLK. SC. (AFTER 3/01/02)
	C9207962WH		CTRL PANEL 30 XWHX SLK. SC. (AFTER 3/01/02)
14	PA010093		DESIGNER OVEN LT SWITCH KNOB
	PA010093PVD		DESIGNER OVEN LT SWITCH KNOB-BRASS
15	PE050073		DESIGNER INDICATOR LT
16	PB010222		DESIGNER BIT GENERATOR KNOB
	PB010222PVD		DESIGNER BIT GENERATOR KNOB-BRASS
17	PB010217		DESIGNER CLOCK BUTTON
	PB010217PVD		DESIGNER CLOCK BUTTON- BRASS
18	PB010196		DESIGNER THERMOSTAT KNOB
	PB010196PVD		DESIGNER THERMOSTAT KNOB W/BRASS
	PB010204		DESIGNER THERMOSTAT KNOB - GRAY
	PB010204PVD		DESIGNER THERMOSTAT KNOB -BR/GRAY
19	PA010091		SELECTOR KNOB - BK
	PA010091PVD		DESIGNER SELECTOR KNOB - BR
	PA010095		DESIGNER SELECTOR KNOB - GRAY
	PA010095PVD		DESIGNER SELECTOR KNOB-BR/GRAY
20	PA010092		OVEN SELECTOR KNOB - BK
	PA010092PVD		DESIGNER OVEN SELECTOR KNOB - BRASS
21	A2006144		CONTROL MOUNT BRACKET
22	A2006100		THREE POSITION SELECTOR BRKT
23	A2006123		CABINET SIDE LH
24	A2006109		SELECTOR SWITCH COVER
25	PJ030010		SELECTOR SWITCH (3-POSITION)VEDO205
26	PJ030001		SELECTOR SWITCH (8-POSITION) VDSC
27	PJ030037		SUB TO PS500033 - SELF CLEAN THERMOSTAT

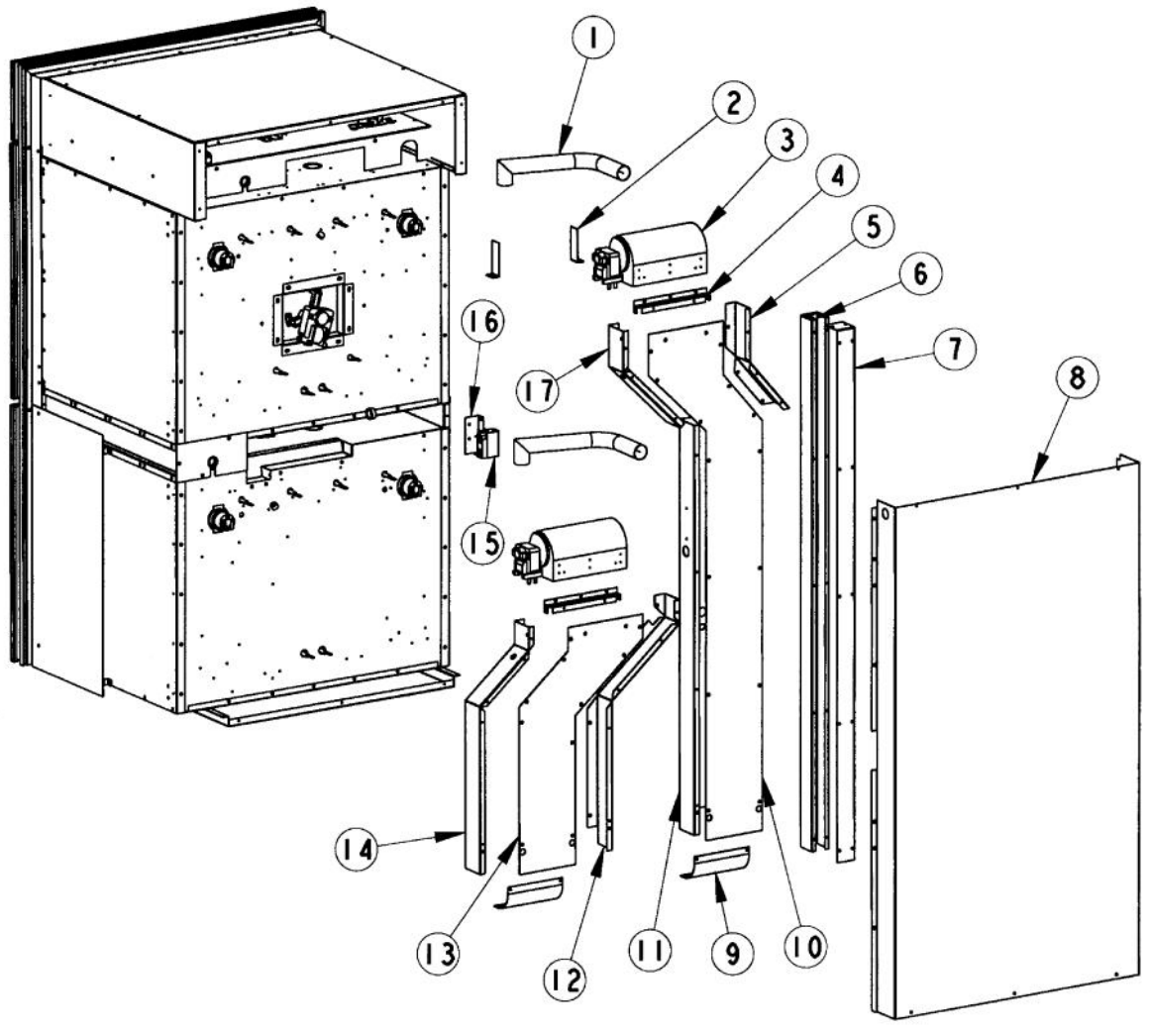
Ref #	Part Number	Qty.	Description
27	PJ030037		SUB TO PS500033 - SELF CLEAN THERMOSTAT
28	PE050049		CLOCK/TIMER(ROBERTSHAWNO.100-00550-01
29	A2006186		POWER RELAY BRACKET
30	PJ030002		AUTO RESET (SELF-CLEAN) VDSC
31	A1002456		THERMO-DISC BRKT (VDSC)
32	PM010026		No.1 RELAY(DBL POLE/SNGL THROW)
33	PJ030025		5 POS SELECTOR SWITCH
34	A2006099		TIMER BOARD BRACKET
35	PD030033		GROMMET NUT-ROUND HD. NO.8 X .500DIA.
36	PE070148		SELF-CLEAN BOARD/TIMER (VDSC)
NI	PM010029		RELAY (DOUBLE POLE-DOUBLE THROW)TEM
NI	G5007604		PRE-HEAT BOARD KIT (DED0200/270)
			(BEFORE 1/16/03)
	PE070308		PRE-HEAT BOARD
			(AFTER 1/16/03)
NI	PE070319		DESO PREHEAT HARNESS
			(AFTER 1/16/03)



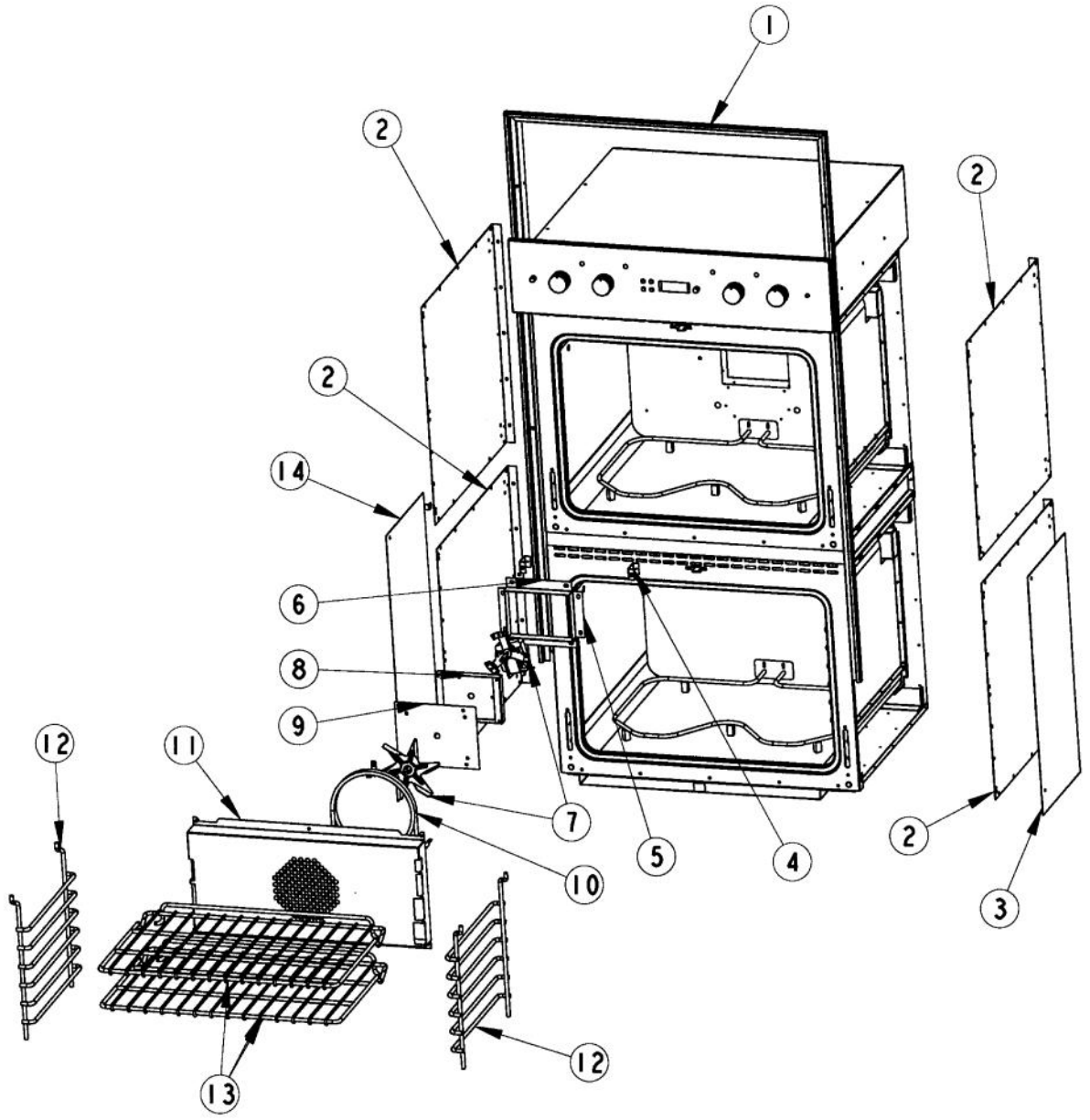
Ref #	Part Number	Qty.	Description
1	A2002168		DOOR LATCH BRKT (VDSC)
2	NOT REPLACABLE		LABEL
3	B2002167		BROILER TOP (VDSC)
4	PM010014		SMOKE ELIMINATOR (VDSC)
5	E9102153		OVEN TOP (VDSC)
6	PE050059		HI-LIMIT SWITCH
7	NOT REPLACABLE		LABEL
8	A2002158		REAR OVEN SUPT (VDSC)
9	NOT REPLACABLE		LABEL
10	NOT REPLACABLE		LABEL
11	NOT REPLACABLE		LABEL
12	PC020016		HINGE RECEIVER (VEDO/VEDO)
13	H9106118		30 INCH DESIGNER F.F. ASSEMBLY
14	PD020060		10 X 1/2 (5/16)HEX WSHR HD.(T)A
15	NOT REPLACABLE		LABEL
16	PJ010004		BAKE ELEMENT (VDSC) 240V
17	PE050009		OVEN LIGHT SOCKET - 36 BUILT-IN
18	B2002185		BROIL ELEMENT BRKT (VDSC)
19	PJ010002		BROIL ELEMENT(MAXI)-SIDE (VDSC)240V
20	PJ010001		BROIL ELEMENT 240V
21	PJ030006		SWITCH (COOLING FAN)
22	PE050053	1	DR LATCH REPL PE050020
23	A2006102		UPPER VENT BRACKET



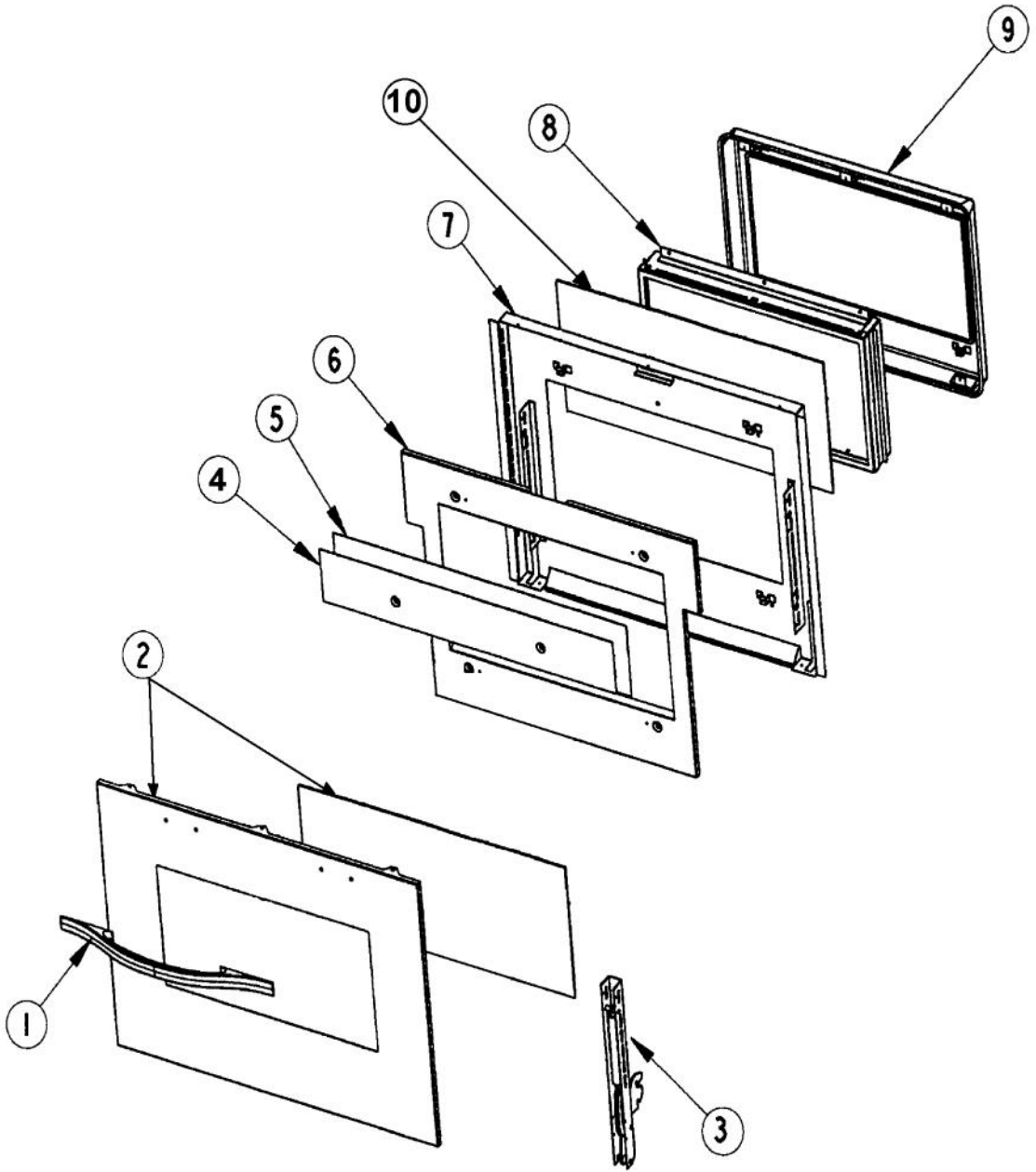
Ref #	Part Number	Qty.	Description
1	A2002168		DOOR LATCH BRKT (VDSC)
2	PE050053	1	DR LATCH REPL PE050020
3	PE050059		HI-LIMIT SWITCH
4	A2006102		UPPER VENT BRACKET
5	NOT REPLACABLE		LABEL
6	B2002167		BROILER TOP (VDSC)
7	PM010014		SMOKE ELIMINATOR (VDSC)
8	E9102153		OVEN TOP (VDSC)
9	A1006103		RH LOWER REAR COVER 30 (DEDO200)
10	PD040005		SNAP BUSHING - 7/8
11	A1006089		L.O. BACK INSUL. PNL. 30
12	A2006088		OVEN MOUNTING BRACKET
13	G9102736		OVEN SIDE ASSY (VDSC)
14	NOT REPLACABLE		LABEL
15	NOT REPLACABLE		LABEL
16	NOT REPLACABLE		LABEL
17	PC020016		HINGE RECEIVER (VEDO/VEDO)
18	H9106117		30 INCH DESIGN. LOWER F.F.ASSY-DEDO
19	PJ010004		BAKE ELEMENT (VDSC) 240V
20	PE050009		OVEN LIGHT SOCKET - 36 BUILT-IN
21	PJ010001		BROIL ELEMENT 240V
22	PJ010002		BROIL ELEMENT(MAXI)-SIDE (VDSC)240V
23	B2002185		BROIL ELEMENT BRKT (VDSC)
24	PJ030006		SWITCH (COOLING FAN)
25	A2002158		REAR OVEN SUPT (VDSC)
26	A2006327		MIDDLE BACK VENT



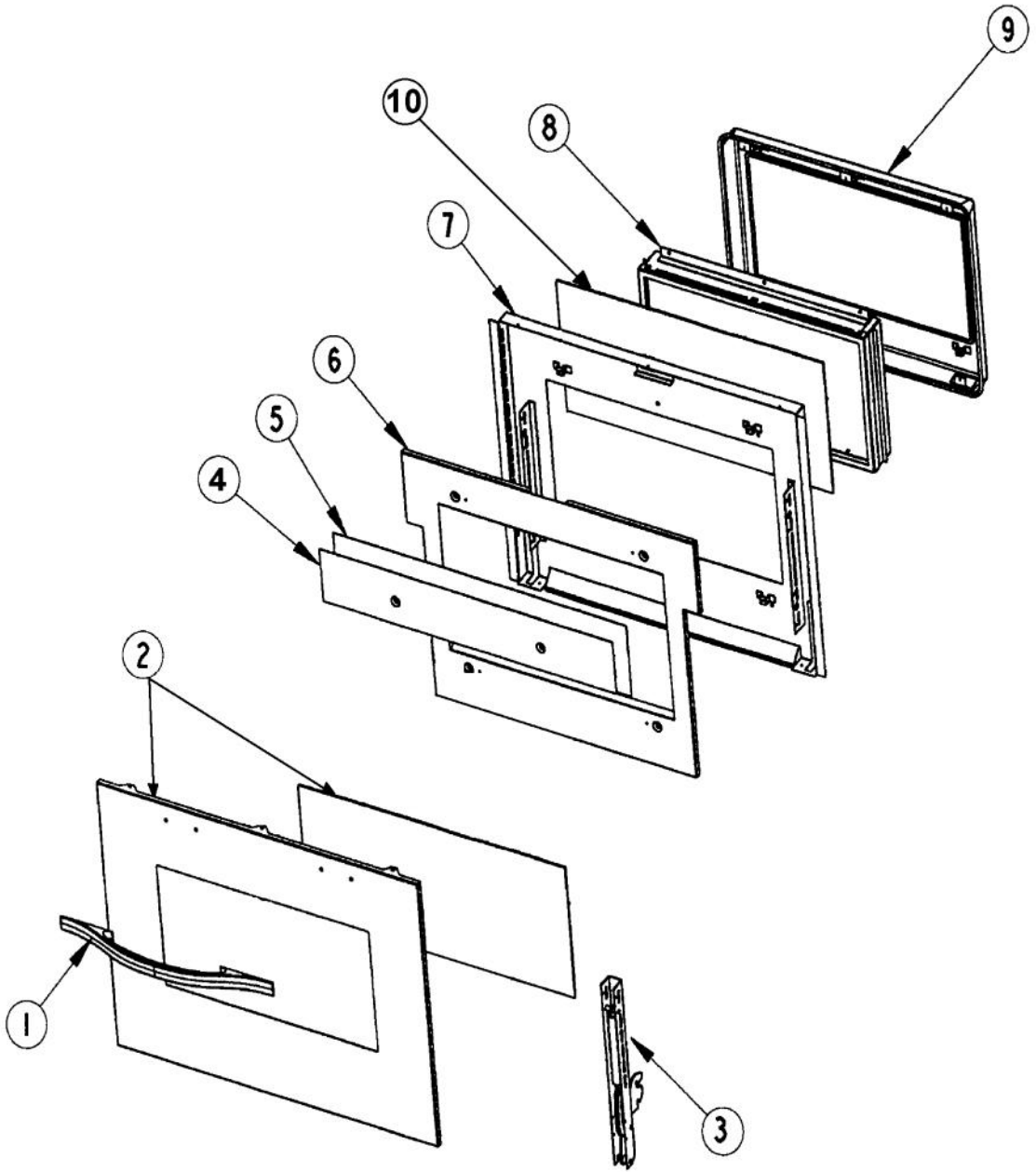
Ref #	Part Number	Qty.	Description
1	PB020117		DESIGNER OVEN VENT
2	A2006183		AIR GUIDE
3	PE050087		BLOWER ASSEMBLY - DESIGNER SERIES
4	A2006048		FAN MOUNTING BRACKET
5	A2006324		VENT SIDE LH
6	A2006181		DOUBLE OVEN FLUE
7	A2006180		DOUBLE OVEN FLUE COVER
8	A2006107		LOWER REAR COVER 30 (DEDO200)
9	A2006182		AIR SCOOP
10	A1006179		DOUBLE VENT COVER PLATE
11	A2006199		LOWER AIR VENT
12	A2006322		LOWER VENT SIDE RH
13	A1006178		LOWER VENT COVER PLATE
14	A2006321		LOWER VENT SIDE RH
15	PJ030002		AUTO RESET (SELF-CLEAN) VDSC
16	A2006187		AUTO RESET BRACKET
17	A2006323		VENT SIDE RH



Ref #	Part Number	Qty.	Description
1	G3006124		FRONT TRIM ASSY 30 DOUBLE (5/19/00 - 5/18/01)
	G9006162BK		30 DOUBLE TRIM ASSY XBKX (5/19/00 - 10/30/01)
	G9006162BT		30 DOUBLE TRIM ASSY XBTX (5/19/00 - 10/30/01)
	G9006162GG		30 DOUBLE TRIM ASSY XGGX (5/19/00 - 10/30/01)
	G9006162SG		30 DOUBLE TRIM ASSY XSGX (5/19/00 - 10/30/01)
	G9006162WH		30 DOUBLE TRIM ASSY XWHX (5/19/00 - 10/30/01)
	G3007226		30 TRIM ASSY DOUBLE (5/18/01 - 10/30/01)
	G9007611BK		SUB TO G90012654BK - DEDO200/205 TRIM ASSY XBKX (10/30/01 - PRESENT)
	G9007611BT		SUB TO G90012654BT - DEDO200/205 TRIM ASSY XBTX (10/30/01 - PRESENT)
	G9007611GG		FRONT TRIM ASSY - GG (10/30/01 - PRESENT) (10/30/01 - PRESENT)
	G9007611SG		SUB TO G90012654SG - DEDO200/205 TRIM ASSY XSGX (10/30/01 - PRESENT)
	G9007611WH		SUB TO G90012654WH - DEDO200/205 TRIM ASSY XWHX (10/30/01 - PRESENT)
	G3007285		DEDO200/205 TRIM ASSY (10/30/01 - PRESENT)
2	A2002904		SIDE INSULATION RETAINER
3	B2006194		SIDE HEAT SHIELD RH
4	A2001361		BACK SPACER (VGSC/VGSS)
5	A2001745		FAN INSUL. SHIELD - UPPER / LOWER
6	A2001746		FAN INSUL. SHIELD - SIDE
7	PE050005		CONVECTION FAN ASSY
8	A2002595		CONVECTION FAN BOX (VDSC)
9	A1002596		CONVECTION FAN COVER (VDSC)
10	PJ010003		CONVECTION ELEMENT (VDSC) 240V
11	E9102170		CONVECTION FAN COVER
12	PB060030		RACK SUPT REPL PB060010
13	PB060044		OVEN RK VDSC30/48RH REPL PB060019
14	B2006193		LH HEAT SHIELD (DEDO)



Ref #	Part Number	Qty.	Description
1	PE030167		30 DOOR HANDLE
	PE030167PVD		30 DOOR HANDLE PVD
2	N/Ax		O/S DOOR PANEL ASSY (BEFORE 2/15/02) (BEFORE 2/15/02)
	G5008293BK		O/S DOOR SKIN ASSEMBLY (DESIGN) (AFTER 2/15/02)
	G5008293BT		O/S DOOR SKIN ASSEMBLY (DESIGN) (AFTER 2/15/02)
	G5008293GG		O/S DOOR SKIN ASSEMBLY (DESIGN) (AFTER 2/15/02)
	G5008293SG		O/S DOOR SKIN ASSEMBLY (DESIGN) (AFTER 2/15/02)
	G5008293SS		O/S DOOR SKIN ASSEMBLY (DESIGN) (AFTER 2/15/02)
	G5008293WH		O/S DOOR SKIN ASSEMBLY (DESIGN) (AFTER 2/15/02)
3	N/Ax		O/S DOOR PANEL ASSY (BEFORE 2/15/02) (BEFORE 2/15/02)
	PC020139		DESIGNER DOOR HINGE (AFTER 2/15/02) (AFTER 2/15/02)
4	A1006196		OUTER DOOR HEAT SHIELD 30
5	A1006195		INNER DOOR HEAT SHIELD 30
6	A2006016		30 INCH DESIGNER DOOR INSULATION
7	N/Ax		O/S DOOR PANEL ASSY (BEFORE 2/15/02)
	G50010118		DESO100/105/DEDO200/205 DR LINER SVC-KIT (AFTER 2/15/02)
8	G3206151		30 INCH DESIGNER GLASS PACK ASSY
NI	PB070041		SUB TO 000623-000 - DOOR GASKET(3/8DIA.) (VDSC)
9	G50010118		DESO100/105/DEDO200/205 DR LINER SVC-KIT
10	PE060057		30 GLASS PACK GLASS H.T.
NI	PB070093		BOARD INSULATION 30
NI	N/Ax		O/S DOOR PANEL ASSY (BEFORE 2/15/02) (BEFORE 2/15/02)
	G3207970BK		DOOR ASSY XBKX (DEDO200/DESO100) (AFTER 2/15/02)
	G3207970BKBR		DOOR ASSY XBKXBRX (DEDO200/DESO100) (AFTER 2/15/02)
	G3207970BT		DOOR ASSY XBTX (DEDO200/DESO100) (AFTER 2/15/02)
	G3207970BTBR		DOOR ASSY XBTXBR (DEDO200/DESO100) (AFTER 2/15/02)
	G3207970GG		DOOR ASSY XGGX (DEDO200/DESO100) (AFTER 2/15/02)
	G3207970GGBR		DOOR ASSY XGGXBRX (DEDO200/DESO100) (AFTER 2/15/02)
	G3207970SG		DOOR ASSY XSGX (DEDO200/DESO100) (AFTER 2/15/02)
	G3207970SGBR		DOOR ASSY XSGXBRX (DEDO200/DESO100) (AFTER 2/15/02)
	G3207970SS		DOOR ASSY XSSX (DEDO200/DESO100) (AFTER 2/15/02)
	G3207970SSBR		DOOR ASSY XSSXBRX (DEDO200/DESO100) (AFTER 2/15/02)
	G3207970WH		DOOR ASSY XWHX (DEDO200/DESO100) (AFTER 2/15/02)
	G3207970WHBR		DOOR ASSY XWHXBRX (DEDO200/DESO100) (AFTER 2/15/02)
NI	PD020032		SRW-8(A)X3/8PH.WFR HD 7/16DIAXNICL
NI	B1007913		HINGE CLIP (DESIGNER TIME PIECE)



Ref #	Part Number	Qty.	Description
1	PE030167		30 DOOR HANDLE
	PE030167PVD		30 DOOR HANDLE PVD
2	N/Ax		O/S DOOR PANEL ASSY (BEFORE 2/15/02) (BEFORE 2/15/02)
	G5008294BK		O/S DOOR SKIN ASSEMBLY (DESIGN) (AFTER 2/15/02)
	G5008294BT		O/S DOOR SKIN ASSEMBLY (DESIGN) (AFTER 2/15/02)
	G5008294GG		O/S DOOR SKIN ASSEMBLY (DESIGN) (AFTER 2/15/02)
	G5008294SG		O/S DOOR SKIN ASSEMBLY (DESIGN) (AFTER 2/15/02)
	G5008294SS		O/S DOOR SKIN ASSEMBLY (DESIGN) (AFTER 2/15/02)
	G5008294WH		O/S DOOR SKIN ASSEMBLY (DESIGN) (AFTER 2/15/02)
3	N/Ax		O/S DOOR PANEL ASSY (BEFORE 2/15/02) (BEFORE 2/15/02)
	PC020139		DESIGNER DOOR HINGE (AFTER 2/15/02) (AFTER 2/15/02)
4	A1006196		OUTER DOOR HEAT SHIELD 30
5	A1006195		INNER DOOR HEAT SHIELD 30
6	A2006016		30 INCH DESIGNER DOOR INSULATION
7	N/Ax		O/S DOOR PANEL ASSY (BEFORE 2/15/02) (BEFORE 2/15/02)
	G50010118		DESO100/105/DED0200/205 DR LINER SVC-KIT (AFTER 2/15/02)
8	G3206151		30 INCH DESIGNER GLASS PACK ASSY
NI	PB070041		SUB TO 000623-000 - DOOR GASKET(3/8DIA.) (VDSC)
9	G50010118		DESO100/105/DED0200/205 DR LINER SVC-KIT
10	PE060057		30 GLASS PACK GLASS H.T.
NI	PB070093		BOARD INSULATION 30
NI	N/Ax		O/S DOOR PANEL ASSY (BEFORE 2/15/02) (BEFORE 2/15/02)
	G3207969BK		LOWER DR ASSYXBKX(DED0200) (AFTER 2/15/02)
	G3207969BKBR		COMPLETE DOOR ASSY - BKBR (AFTER 2/15/02) (AFTER 2/15/02)
	G3207969BT		LOWER DR ASSYXBTX(DED0200) (AFTER 2/15/02)
	G3207969BTBR		COMPLETE DOOR ASSY - BTBR (AFTER 2/15/02) (AFTER 2/15/02)
	G3207969GG		LOWER DR ASSYXGGX(DED0200) (AFTER 2/15/02)
	G3207969GGBR		COMPLETE DOOR ASSY - GGBR (AFTER 2/15/02) (AFTER 2/15/02)
	G3207969SG		LOWER DR ASSYXSGX(DED0200) (AFTER 2/15/02)
	G3207969SGBR		LOWER DR ASSYXSGXBRX(DED0200) (AFTER 2/15/02)
	G3207969SS		LOWER DR ASSYXSSX(DED0200) (AFTER 2/15/02)
	G3207969SSBR		LOWER DR ASSYXSSXBRX(DED0200) (AFTER 2/15/02)
	G3207969WH		LOWER DR ASSYXWHX(DED0200) (AFTER 2/15/02)
	G3207969WHBR		COMPLETE DOOR ASSY - WHBR (AFTER 2/15/02) (AFTER 2/15/02)
NI	PD020032		SRW-8(A)X3/8PH.WFR HD 7/16DIAXNICL
NI	B1007913		HINGE CLIP (DESIGNER TIME PIECE)

<u>Ref #</u>	<u>Part Number</u>	<u>Qty.</u>	<u>Description</u>
NI	B1007913		HINGE CLIP (DESIGNER TIME PIECE)