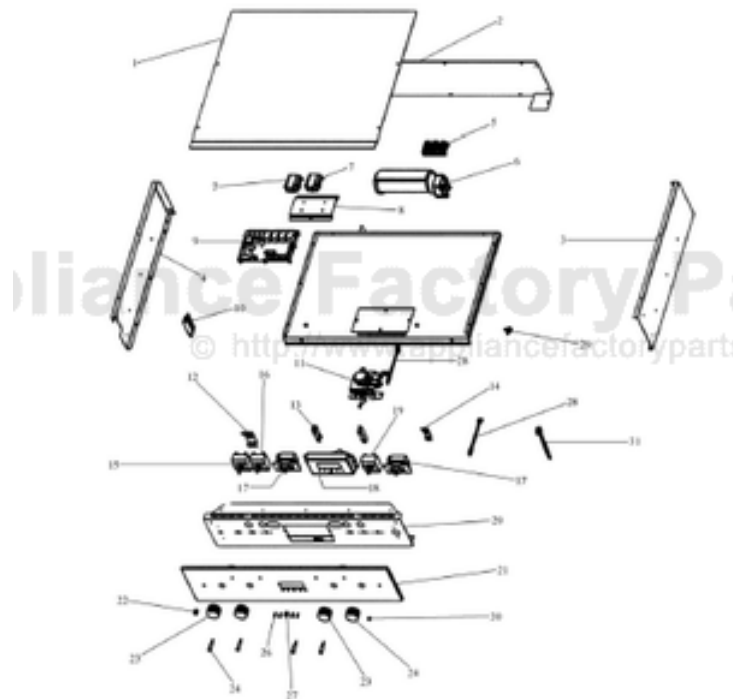


This Owner's Manual is provided and hosted by [Appliance Factory Parts](http://www.appliancefactoryparts.com).



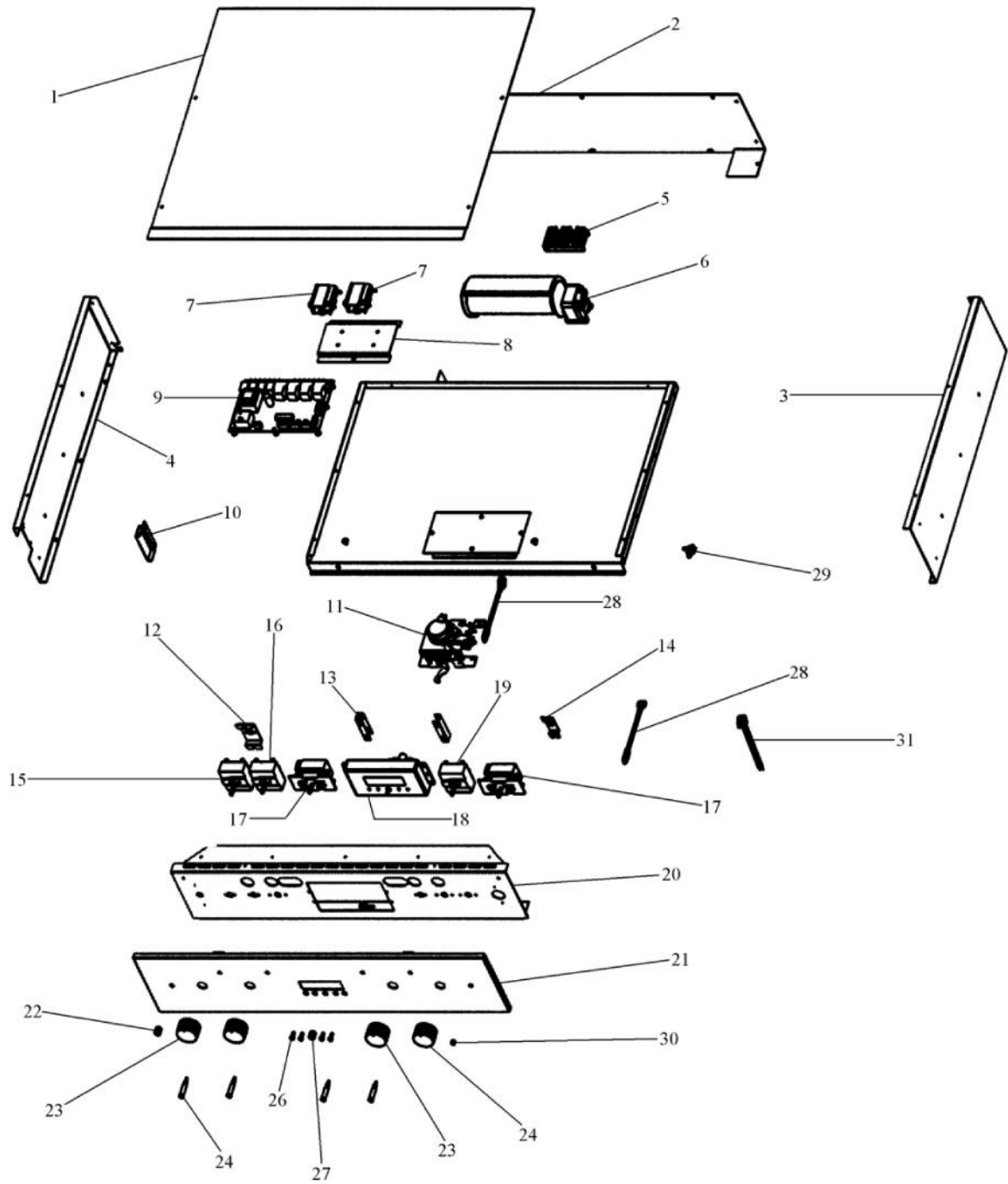
# VIKING DEDO201 Owner's Manual

[Shop genuine replacement parts for VIKING DEDO201](#)

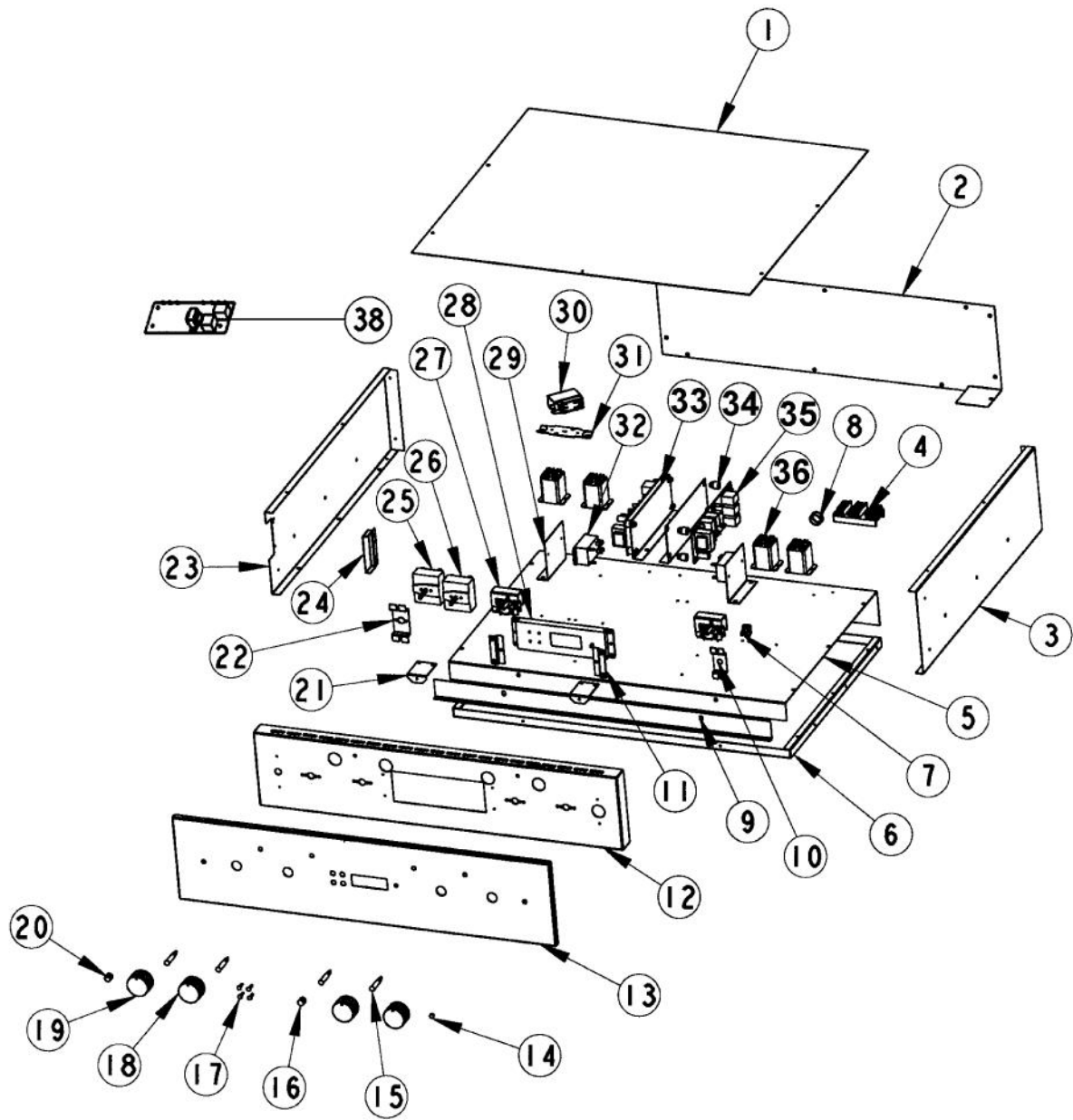


[Find Your VIKING Oven Parts - Select From 98 Models](#)

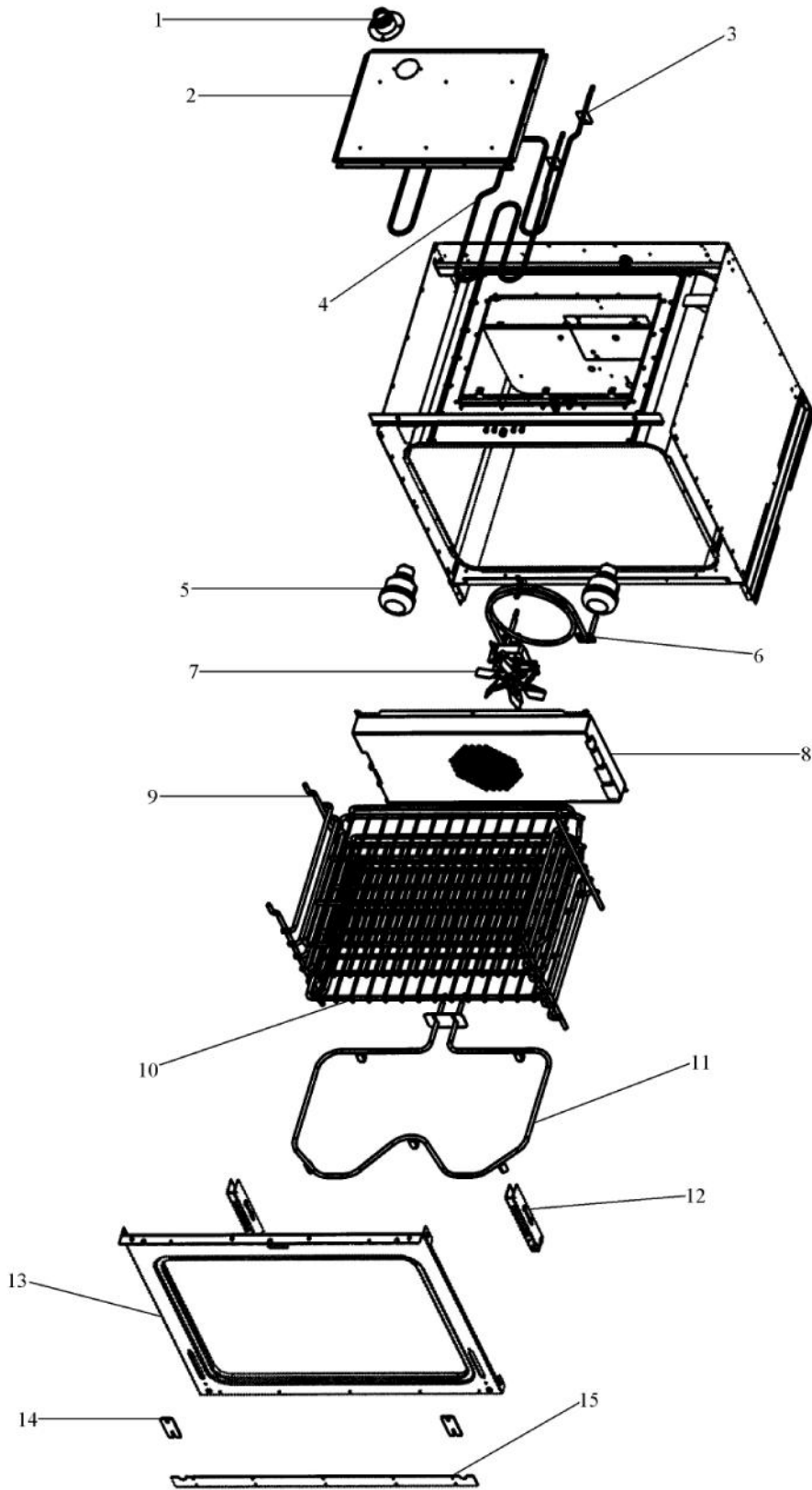
----- Manual continues below -----



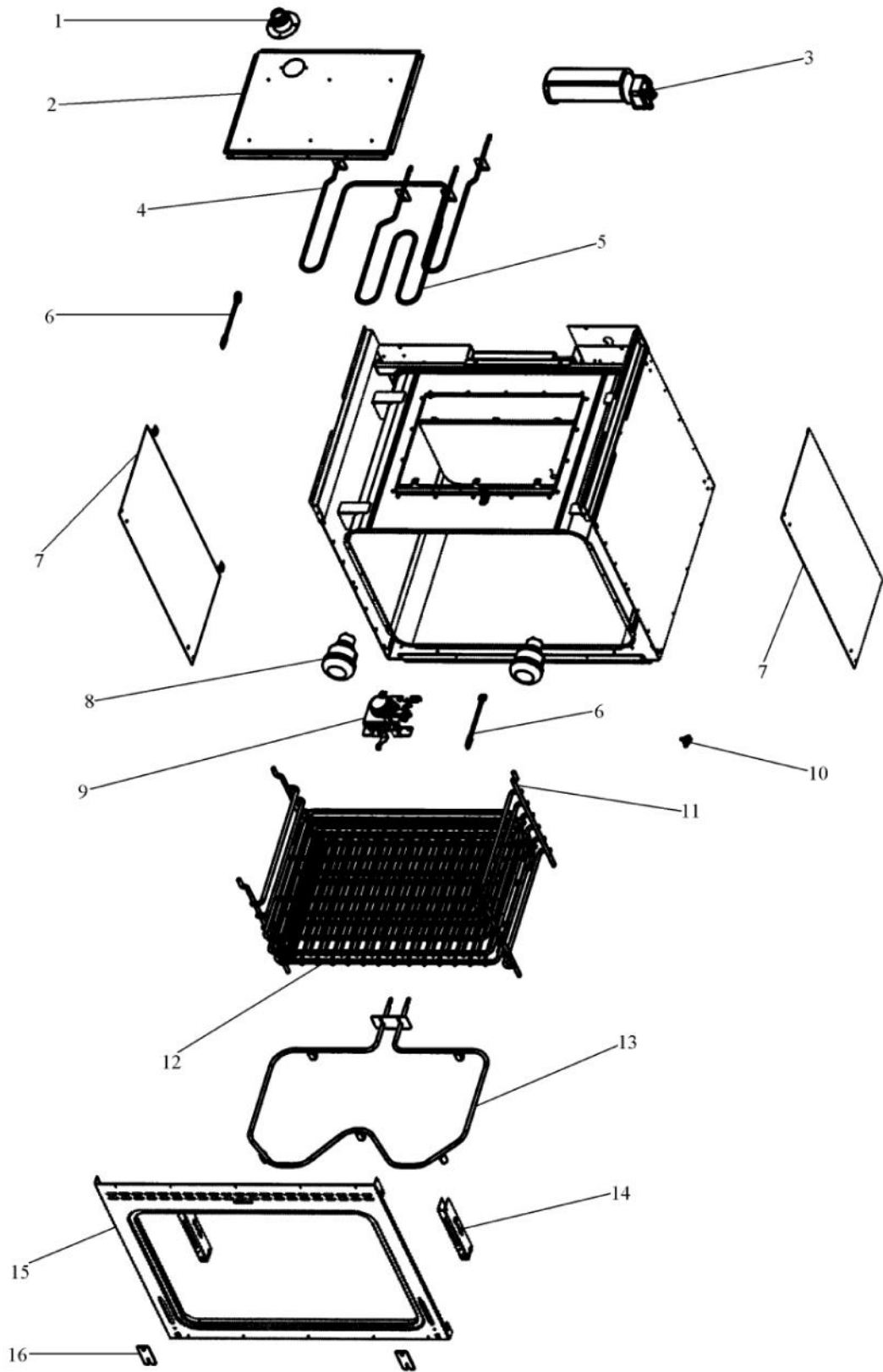
Ref #	Part Number	Qty.	Description
1	A2007956		30`` CABINET TOP
2	A2007908		30 INCH TOP REAR COVER
3	A2006122		CABINET SIDE RH
4	A2006123		CABINET SIDE LH
5	PE070147		TERMINAL BLOCK
6	PE050087		BLOWER ASSEMBLY - DESIGNER SERIES
7	PJ030002		AUTO RESET (SELF-CLEAN) VDSC
8	A2009884		AUTO RESET BRACKET
9	PE070472		ELECTRONIC CONTROL BOARD
10	A2006109		SELECTOR SWITCH COVER
11	PE050112		DOOR LATCH
12	A2006100		THREE POSITION SELECTOR BRKT
13	A20010135		CLOCK MOUNTING BRACKET
14	A2006101		OVEN LIGHT SWITCH BRACKET
15	PJ030010		SELECTOR SWITCH (3-POSITION)VEDO205
16	PJ030001		SELECTOR SWITCH (8-POSITION) VDSC
17	PJ030037		SUB TO PS500033 - SELF CLEAN THERMOSTAT
18	PE050130		CLOCK
19	PJ030025		5 POS SELECTOR SWITCH
20	H91010134		CONTROL PANEL MTG ASSY 30
21	B92010130		CONTROL PANEL 30
	C92010130BK		CTRL PANEL 30 XBKX SLK. SC.
	C92010130WH		CTRL PANEL 30 XWHX SLK. SC.
22	PA010110		DESIGNER OVEN SELECTOR KNOB REPL PA010092
	PA010110PVD		DESIGNER OVEN SELECTOR KNOB-BRASS
23	PA010091		SELECTOR KNOB - BK
	PA010091PVD		DESIGNER SELECTOR KNOB - BR
	PA010095		DESIGNER SELECTOR KNOB - GRAY
	PA010095PVD		DESIGNER SELECTOR KNOB-BR/GRAY
24	PB010196		DESIGNER THERMOSTAT KNOB
	PB010196PVD		DESIGNER THERMOSTAT KNOB W/BRASS
	PB010204		DESIGNER THERMOSTAT KNOB - GRAY
	PB010204PVD		DESIGNER THERMOSTAT KNOB -BR/GRAY
25	PE050073		DESIGNER INDICATOR LT
26	PB010269		CLOCK BUTTON
27	PB010222		DESIGNER BIT GENERATOR KNOB
	PB010222PVD		DESIGNER BIT GENERATOR KNOB-BRASS
28	PE050049		CLOCK/TIMER(ROBERTSHAWNO.100-00550-01
29	PJ030006		SWITCH (COOLING FAN)
30	PA010093		DESIGNER OVEN LT SWITCH KNOB
	PA010093PVD		DESIGNER OVEN LT SWITCH KNOB-BRASS
31	G4008423		DESIGNER OVEN LIGHT SWITCH ASSY



Ref #	Part Number	Qty.	Description
1	A2006142		DESIGNER OVEN CABINET TOP
2	A2006108		30 INCH TOP REAR COVER
3	A2006122		CABINET SIDE RH
4	PE070147		TERMINAL BLOCK
5	NOT REPLACABLE		LABEL
6	NOT REPLACABLE		LABEL
7	G4008423		DESIGNER OVEN LIGHT SWITCH ASSY
8	PD040005		SNAP BUSHING - 7/8
9	A2006184		FRONT SANDWICH PANEL ANGLE 30
10	A2006101		OVEN LIGHT SWITCH BRACKET
11	A2006098		CLOCK MOUNTING BRACKET
12	E9106134		CONTROL MOUNTING PANEL 30 (DEDO200)
13	B92010130		CONTROL PANEL 30
	C92010130BK		CTRL PANEL 30 XBKX SLK. SC.
	C92010130BT		CTRL PANEL 30 XBTX SLK. SC.
	C92010130GG		CTRL PANEL 30 XGGX SLK. SC.
	C92010130SG		CTRL PANEL 30 XSGX SLK. SC.
	C92010130WH		CTRL PANEL 30 XWHX SLK. SC.
14	PA010093		DESIGNER OVEN LT SWITCH KNOB
	PA010093PVD		DESIGNER OVEN LT SWITCH KNOB-BRASS
15	PE050073		DESIGNER INDICATOR LT
16	PB010221		DESIGNER BIT GEN. KNOB (NEW CLOCK)
	PB010221PVD		DESIGNER BIT GEN. KNOB - BRASS
17	PB010217		DESIGNER CLOCK BUTTON
	PB010217PVD		DESIGNER CLOCK BUTTON- BRASS
18	PB010196		DESIGNER THERMOSTAT KNOB
	PB010196PVD		DESIGNER THERMOSTAT KNOB W/BRASS
	PB010204		DESIGNER THERMOSTAT KNOB - GRAY
	PB010204PVD		DESIGNER THERMOSTAT KNOB -BR/GRAY
19	PA010091		SELECTOR KNOB - BK
	PA010091PVD		DESIGNER SELECTOR KNOB - BR
	PA010095		DESIGNER SELECTOR KNOB - GRAY
	PA010095PVD		DESIGNER SELECTOR KNOB-BR/GRAY
20	PA010092		OVEN SELECTOR KNOB - BK
	PA010092PVD		DESIGNER OVEN SELECTOR KNOB - BRASS
21	A2006144		CONTROL MOUNT BRACKET
22	A2006100		THREE POSITION SELECTOR BRKT
23	A2006123		CABINET SIDE LH
24	A2006109		SELECTOR SWITCH COVER
25	PJ030010		SELECTOR SWITCH (3-POSITION)VEDO205
26	PJ030001		SELECTOR SWITCH (8-POSITION) VDSC
27	PJ030037		SUB TO PS500033 - SELF CLEAN THERMOSTAT
28	PE050059		HI-LIMIT SWITCH
29	A2006186		POWER RELAY BRACKET
30	PJ030002		AUTO RESET (SELF-CLEAN) VDSC
31	A1002456		THERMO-DISC BRKT (VDSC)
32	PM010026		No.1 RELAY(DBL POLE/SNGL THROW)
33	PJ030025		5 POS SELECTOR SWITCH
34	A2006099		TIMER BOARD BRACKET
35	PD030033		GROMMET NUT-ROUND HD. NO.8 X .500DIA.
36	PE070148		SELF-CLEAN BOARD/TIMER (VDSC)
37	PM010029		RELAY (DOUBLE POLE-DOUBLE THROW)TEM
38	PE070308		PRE-HEAT BOARD
NI	PE070319		DESO PREHEAT HARNESS

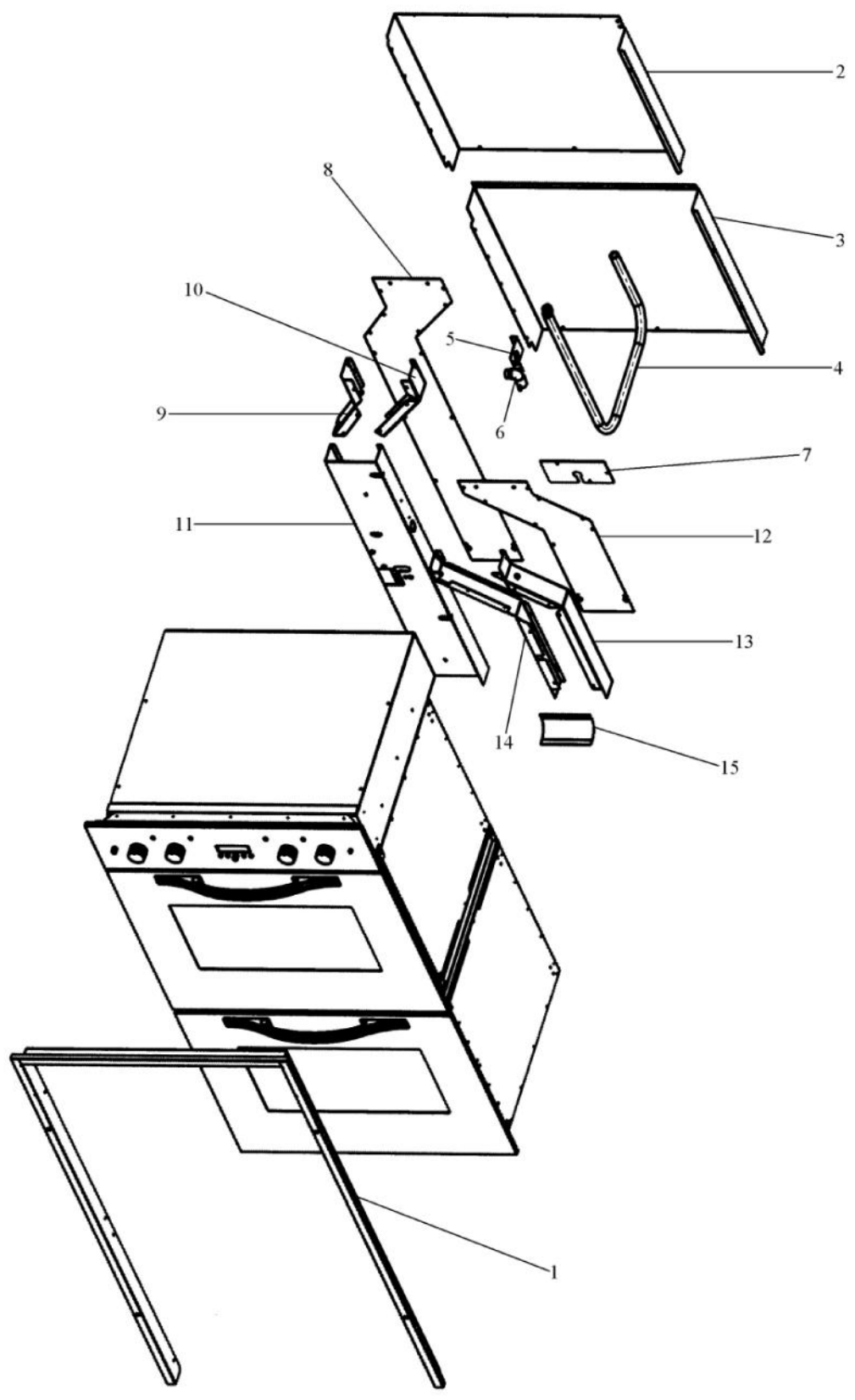


Ref #	Part Number	Qty.	Description
1	PM010014		SMOKE ELIMINATOR (VDSC)
2	B2002167		BROILER TOP (VDSC)
3	PJ010002		BROIL ELEMENT(MAXI)-SIDE (VDSC)240V
4	PJ010001		BROIL ELEMENT 240V
5	PE050009		OVEN LIGHT SOCKET - 36 BUILT-IN
6	PJ010003		CONVECTION ELEMENT (VDSC) 240V
7	PE050005		CONVECTION FAN ASSY
8	E9102170		CONVECTION FAN COVER
9	PB060030		RACK SUPT REPL PB060010
10	PB060044		OVEN RK VDSC30/48RH REPL PB060019
11	PJ010004		BAKE ELEMENT (VDSC) 240V
12	PC020016		HINGE RECEIVER (VEDO/VEDO)
13	H9106118		30 INCH DESIGNER F.F. ASSEMBLY
14	B1007234		HINGE TRIM REPL B2102963 2 EA
15	B1007454		CENTER TRIM 30

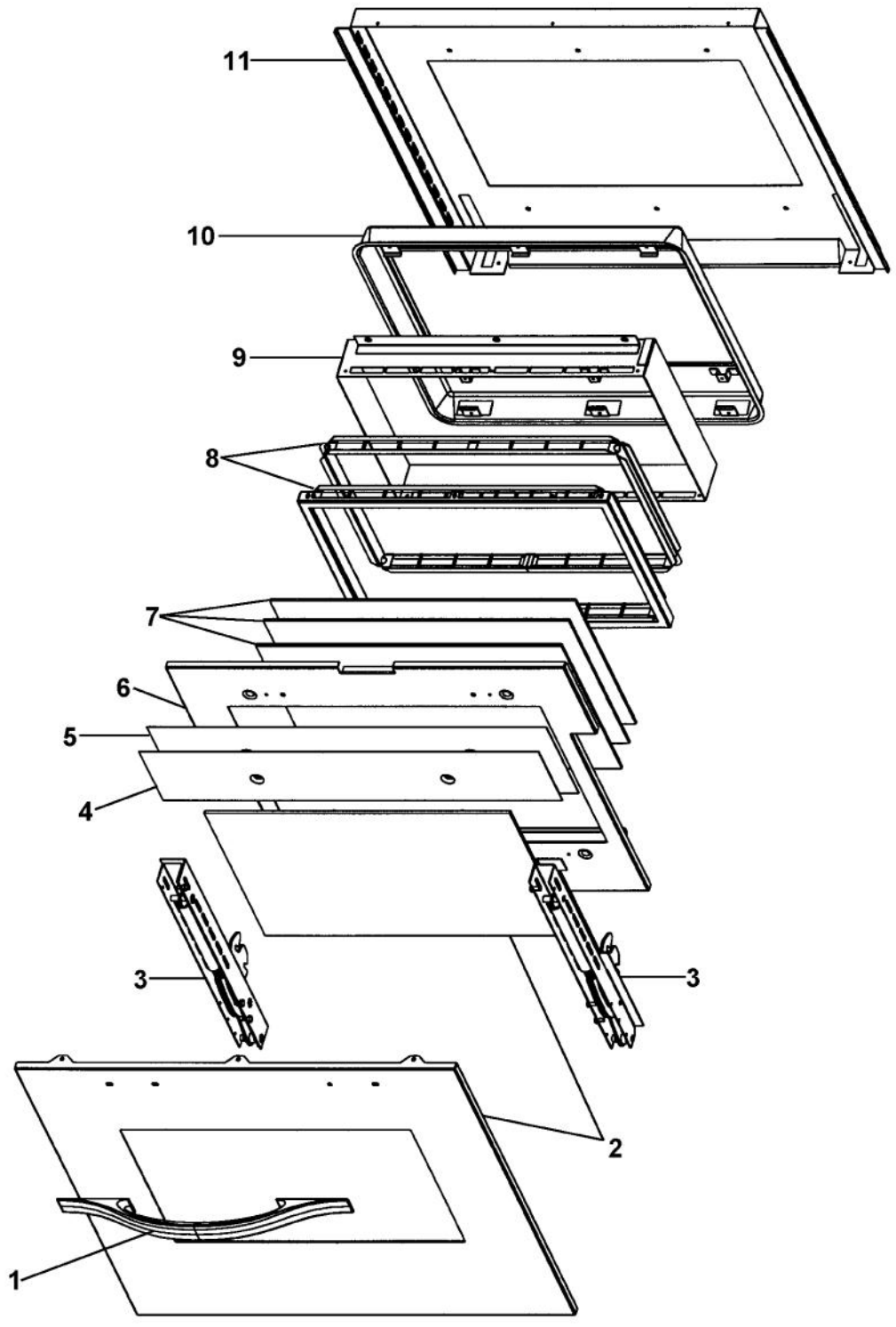




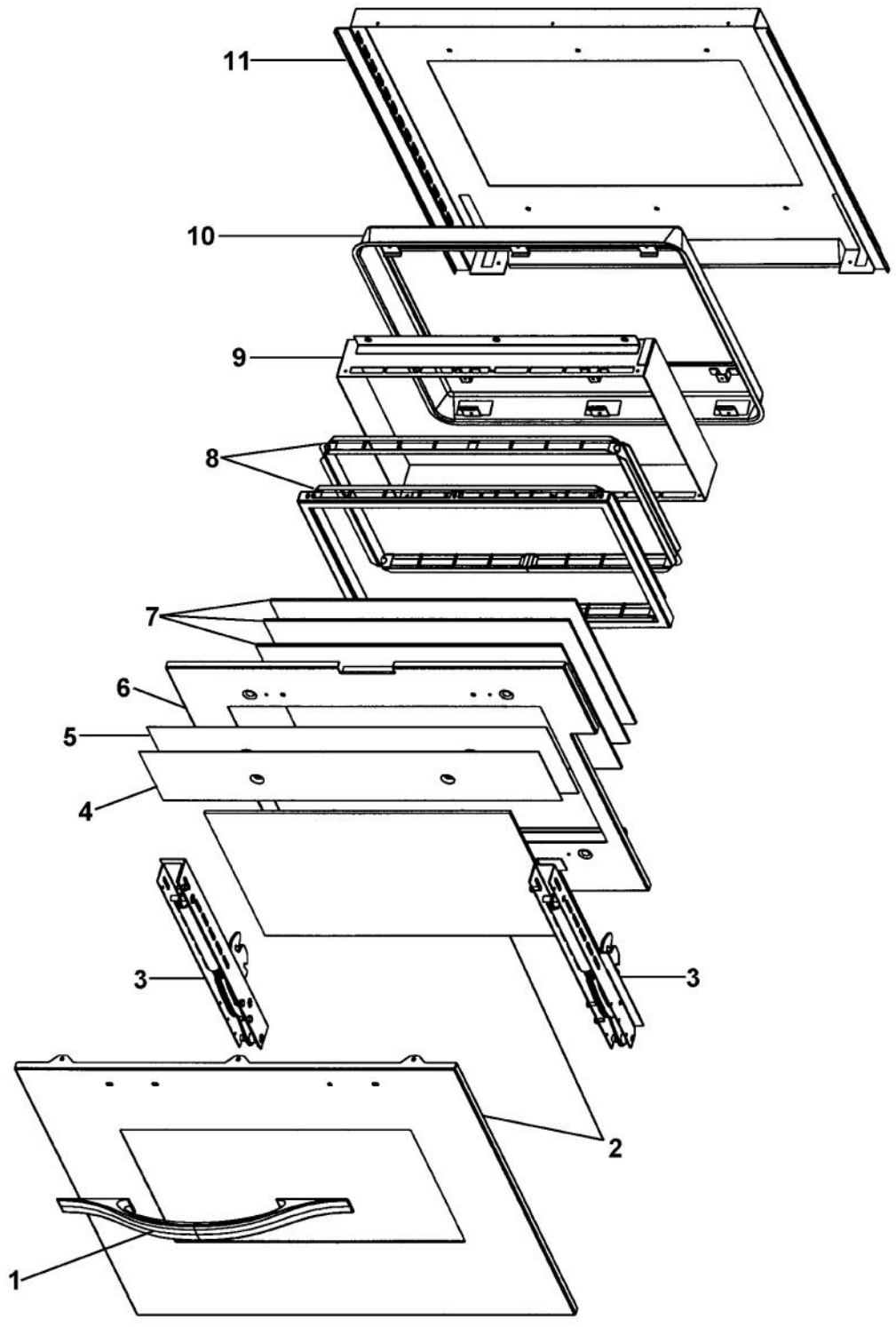
Ref #	Part Number	Qty.	Description
1	PM010014		SMOKE ELIMINATOR (VDSC)
2	B2002167		BROILER TOP (VDSC)
3	PE050087		BLOWER ASSEMBLY - DESIGNER SERIES
4	PJ010002		BROIL ELEMENT(MAXI)-SIDE (VDSC)240V
5	PJ010001		BROIL ELEMENT 240V
6	PE050059		HI-LIMIT SWITCH
7	A2006193		HEAT SHIELD
8	PE050009		OVEN LIGHT SOCKET - 36 BUILT-IN
9	PE050112		DOOR LATCH
10	PJ030006		SWITCH (COOLING FAN)
11	PB060030		RACK SUPT REPL PB060010
12	PB060044		OVEN RK VDSC30/48RH REPL PB060019
13	PJ010004		BAKE ELEMENT (VDSC) 240V
14	PC020016		HINGE RECEIVER (VEDO/VEDO)
15	H9107467		30 LOWER FRONT FRAME ASSY
16	B1007234		HINGE TRIM REPL B2102963 2 EA



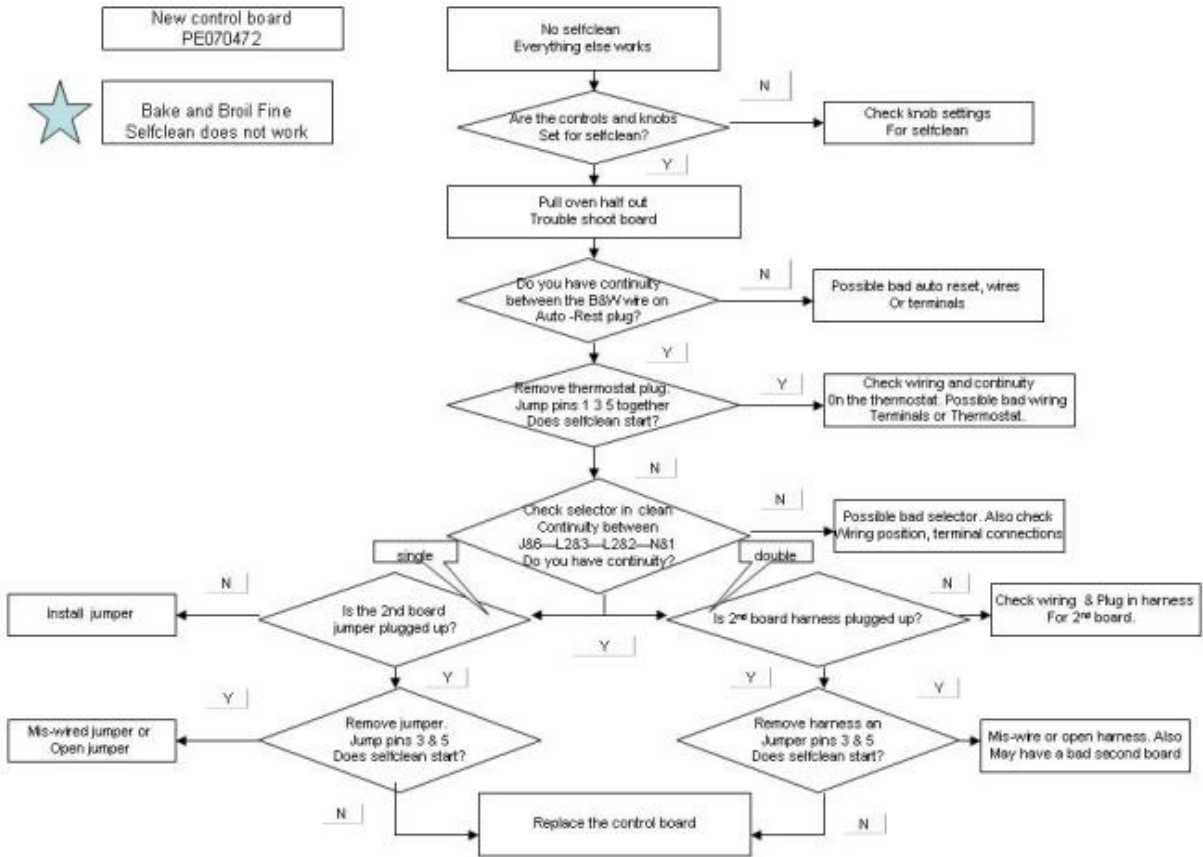
Ref #	Part Number	Qty.	Description
1	G3007285		DEDO200/205 TRIM ASSY
	G9007611BK		SUB TO G90012654BK - DEDO200/205 TRIM ASSY XBKX
	G9007611BT		SUB TO G90012654BT - DEDO200/205 TRIM ASSY XBTX
	G9007611GG		FRONT TRIM ASSY - GG (10/30/01 - PRESENT)
	G9007611SG		SUB TO G90012654SG - DEDO200/205 TRIM ASSY XSGX
	G9007611WH		SUB TO G90012654WH - DEDO200/205 TRIM ASSY XWHX
2	A2008581		30 UPPER OUTER BACK
3	A2008582		30 LOWER OUTER BACK
4	PB020071		CONDUIT - FLEXIBLE (48)
5	A2005777		CONDUIT BRACKET
6	PB040070		CONDUIT FITTING (90 DEG)
7	A1006103		RH LOWER REAR COVER 30 (DEDO200)
8	A1006179		DOUBLE VENT COVER PLATE
9	A2006324		VENT SIDE LH
10	A2006323		VENT SIDE RH
11	A2006199		LOWER AIR VENT
12	A1006178		LOWER VENT COVER PLATE
13	A2006321		LOWER VENT SIDE RH
14	A2006322		LOWER VENT SIDE RH
15	A2006182		AIR SCOOP



Ref #	Part Number	Qty.	Description
1	PE030167		30 DOOR HANDLE
	PE030167PVD		30 DOOR HANDLE PVD
2	G5008293BK		O/S DOOR SKIN ASSEMBLY (DESIGN)
	G5008293BT		O/S DOOR SKIN ASSEMBLY (DESIGN)
	G5008293GG		O/S DOOR SKIN ASSEMBLY (DESIGN)
	G5008293SG		O/S DOOR SKIN ASSEMBLY (DESIGN)
	G5008293SS		O/S DOOR SKIN ASSEMBLY (DESIGN)
	G5008293WH		O/S DOOR SKIN ASSEMBLY (DESIGN)
3	PC020139		DESIGNER DOOR HINGE (AFTER 2/15/02)
4	A1006196		OUTER DOOR HEAT SHIELD 30
5	A1006195		INNER DOOR HEAT SHIELD 30
6	A2006016		30 INCH DESIGNER DOOR INSULATION
7	PE060057		30 GLASS PACK GLASS H.T.
8	H3006156		30 INCH GLASS PK FRAME WELD
9	H3006158		30 INCH GLASS PACK FRAME WELD
10	G50010118		DESO100/105/DEDO200/205 DR LINER SVC-KIT
11	G50010118		DESO100/105/DEDO200/205 DR LINER SVC-KIT
NI	PB070041		SUB TO 000623-000 - DOOR GASKET(3/8DIA.) (VDSC)
NI	PB070093		BOARD INSULATION 30
NI	PB070094		1/4 FIBERGLASS ROPE
NI	PD020032		SRW-8(A)X3/8PH.WFR HD 7/16DIAXNICL
NI	B1007913		HINGE CLIP (DESIGNER TIME PIECE)
NI	G3207283BK		DOOR ASSY XBKX (DEDO205/DESO105)
	G3207283BKBR		DOOR ASSY XBKXBRX(DEDO205/DESO105)
	G3207283BT		DOOR ASSY XBTX (DEDO205/DESO105)
	G3207283BTBR		DOOR ASSY XBTXBRX(DEDO205/DESO105)
	G3207283GG		DOOR ASSY XGGX (DEDO205/DESO105)
	G3207283GGBR		DOOR ASSY XGGXBRX(DEDO205/DESO105)
	G3207283SG		DOOR ASSY XSGX (DEDO205/DESO105)
	G3207283SGBR		DOOR ASSY XSGXBRX(DEDO205/DESO105)
	G3207283SS		DOOR ASSY XSSX (DEDO205/DESO105)
	G3207283SSBR		DOOR ASSY XSSXBRX(DEDO205/DESO105)
	G3207283WH		DOOR ASSY XWHX (DEDO205/DESO105)
	G3207283WHBR		DOOR ASSY XWHXBRX(DEDO205/DESO105)



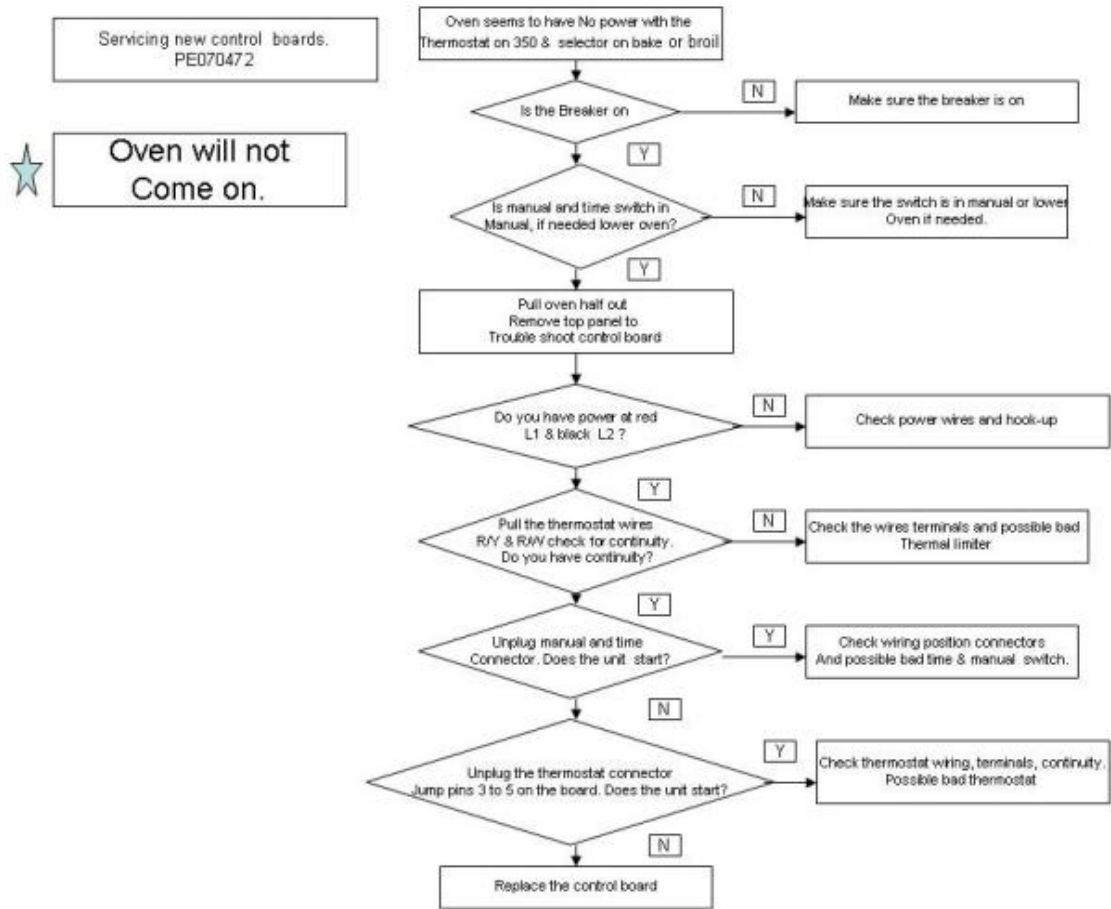
Ref #	Part Number	Qty.	Description
1	PE030167		30 DOOR HANDLE
	PE030167PVD		30 DOOR HANDLE PVD
2	G5008294BK		O/S DOOR SKIN ASSEMBLY (DESIGN)
	G5008294BT		O/S DOOR SKIN ASSEMBLY (DESIGN)
	G5008294GG		O/S DOOR SKIN ASSEMBLY (DESIGN)
	G5008294SG		O/S DOOR SKIN ASSEMBLY (DESIGN)
	G5008294SS		O/S DOOR SKIN ASSEMBLY (DESIGN)
	G5008294WH		O/S DOOR SKIN ASSEMBLY (DESIGN)
3	PC020139		DESIGNER DOOR HINGE (AFTER 2/15/02)
4	A1006196		OUTER DOOR HEAT SHIELD 30
5	A1006195		INNER DOOR HEAT SHIELD 30
6	A2006016		30 INCH DESIGNER DOOR INSULATION
7	PE060057		30 GLASS PACK GLASS H.T.
8	H3006156		30 INCH GLASS PK FRAME WELD
9	H3006158		30 INCH GLASS PACK FRAME WELD
10	G50010118		DESO100/105/DEDO200/205 DR LINER SVC-KIT
11	G50010118		DESO100/105/DEDO200/205 DR LINER SVC-KIT
NI	PB070041		SUB TO 000623-000 - DOOR GASKET(3/8DIA.) (VDSC)
NI	PB070093		BOARD INSULATION 30
NI	PB070094		1/4 FIBERGLASS ROPE
NI	PD020032		SRW-8(A)X3/8PH.WFR HD 7/16DIAXNCL
NI	B1007913		HINGE CLIP (DESIGNER TIME PIECE)
NI	G3207277BK		LOWER DR ASSY XBKX (DEDO205)
	G3207277BKBR		LOWER DR ASSY XBKXBRX(DEDO205)
	G3207277BT		LOWER DR ASSY XBTX (DEDO205)
	G3207277BTBR		LOWER DR ASSY XBTXBRX(DEDO205)
	G3207277GG		LOWER DR ASSY XGGX (DEDO205)
	G3207277GGBR		LOWER DR ASSY XGGXBRX(DEDO205)
	G3207277SG		LOWER DR ASSY XSGX (DEDO205)
	G3207277SGBR		LOWER DR ASSY XSGXBRX(DEDO205)
	G3207277SS		LOWER DR ASSY XSSX (DEDO205)
	G3207277SSBR		LOWER DR ASSY XSSXBRX(DEDO205)
	G3207277WH		LOWER DR ASSY XWHX (DEDO205)
	G3207277WHBR		LOWER DR ASSY XWHXBRX (DEDO205)





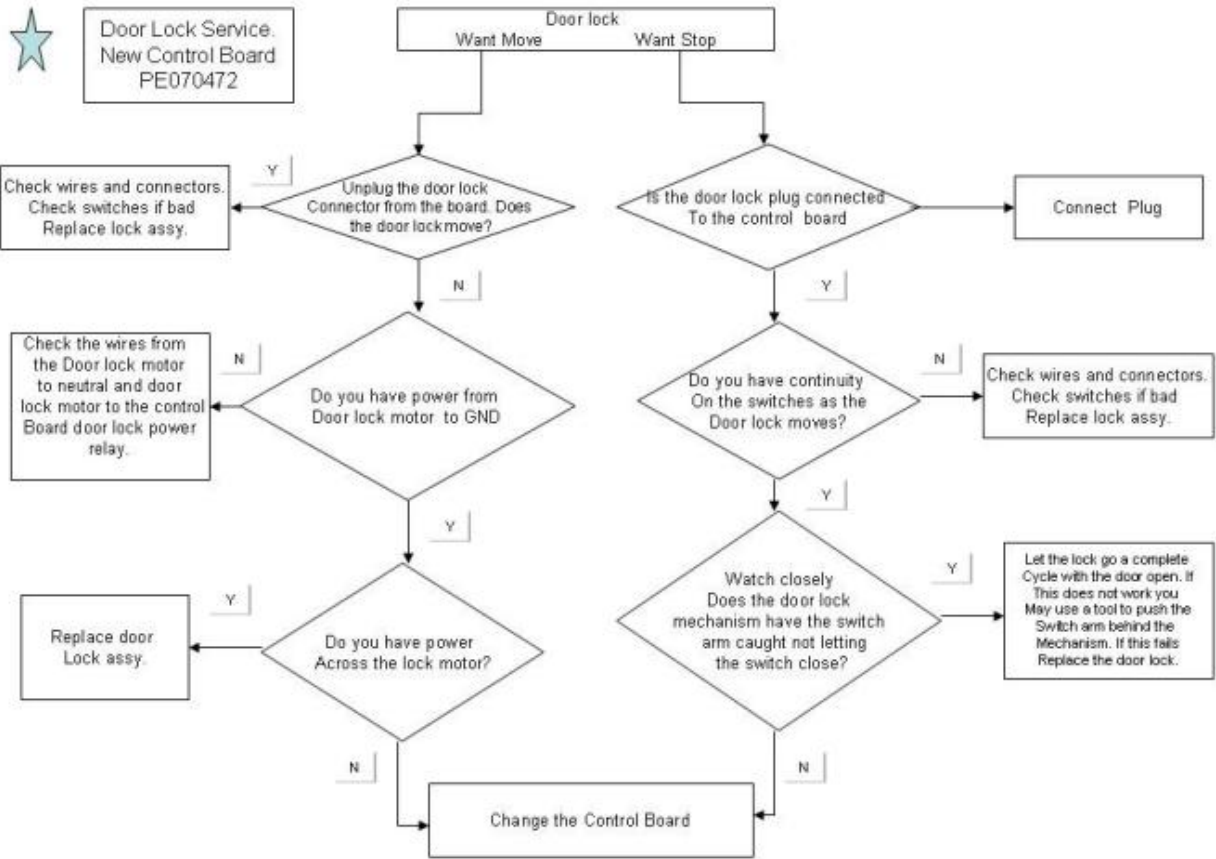
Ref #	Part Number	Qty.	Description
-------	-------------	------	-------------

---



Ref #	Part Number	Qty.	Description
-------	-------------	------	-------------

---



Door Lock Service.  
New Control Board  
PE070472

Check wires and connectors.  
Check switches if bad  
Replace lock assy.

Check the wires from  
the Door lock motor  
to neutral and door  
lock motor to the control  
Board door lock power  
relay.

Replace door  
Lock assy.

Door lock  
Want Move      Want Stop

Is the door lock plug connected  
To the control board

Connect Plug

Do you have continuity  
On the switches as the  
Door lock moves?

Check wires and connectors.  
Check switches if bad  
Replace lock assy.

Watch closely  
Does the door lock  
mechanism have the switch  
arm caught not letting  
the switch close?

Let the lock go a complete  
Cycle with the door open. If  
This does not work you  
May use a tool to push the  
Switch arm behind the  
Mechanism. If this fails  
Replace the door lock.

Change the Control Board

Ref #	Part Number	Qty.	Description
-------	-------------	------	-------------

---