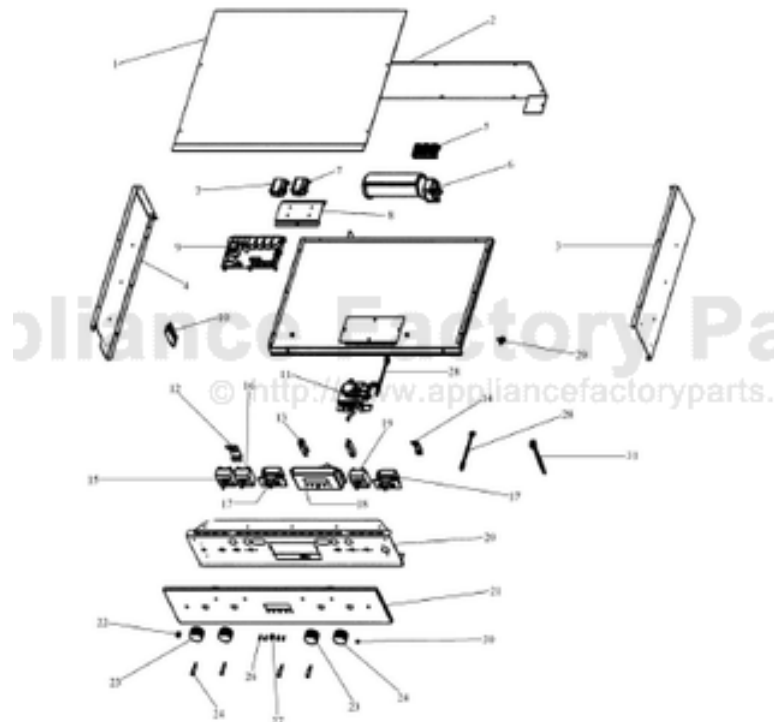


This Owner's Manual is provided and hosted by [Appliance Factory Parts](http://www.appliancefactoryparts.com).



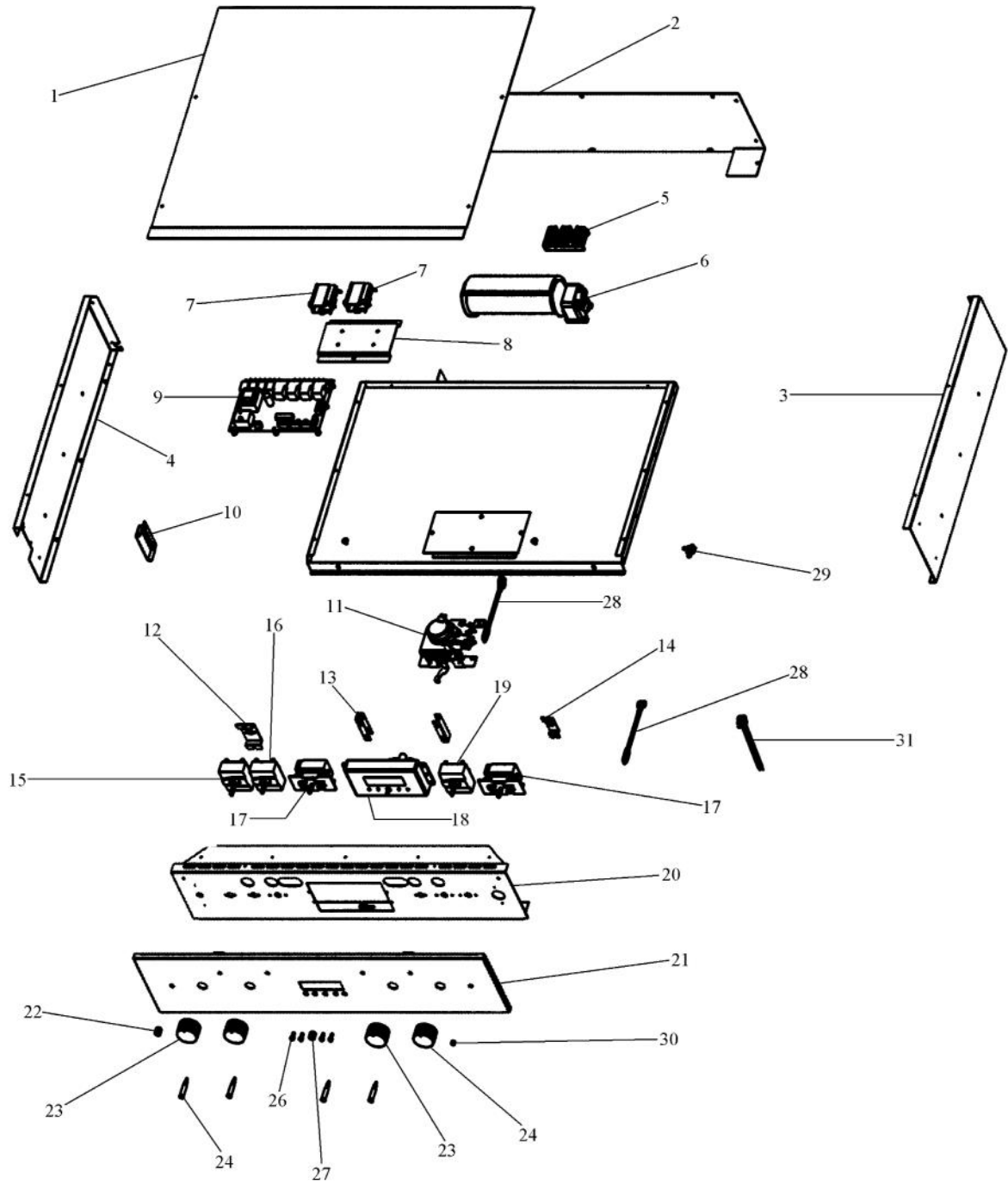
# VIKING DEDO271 Owner's Manual

[Shop genuine replacement parts for VIKING DEDO271](#)

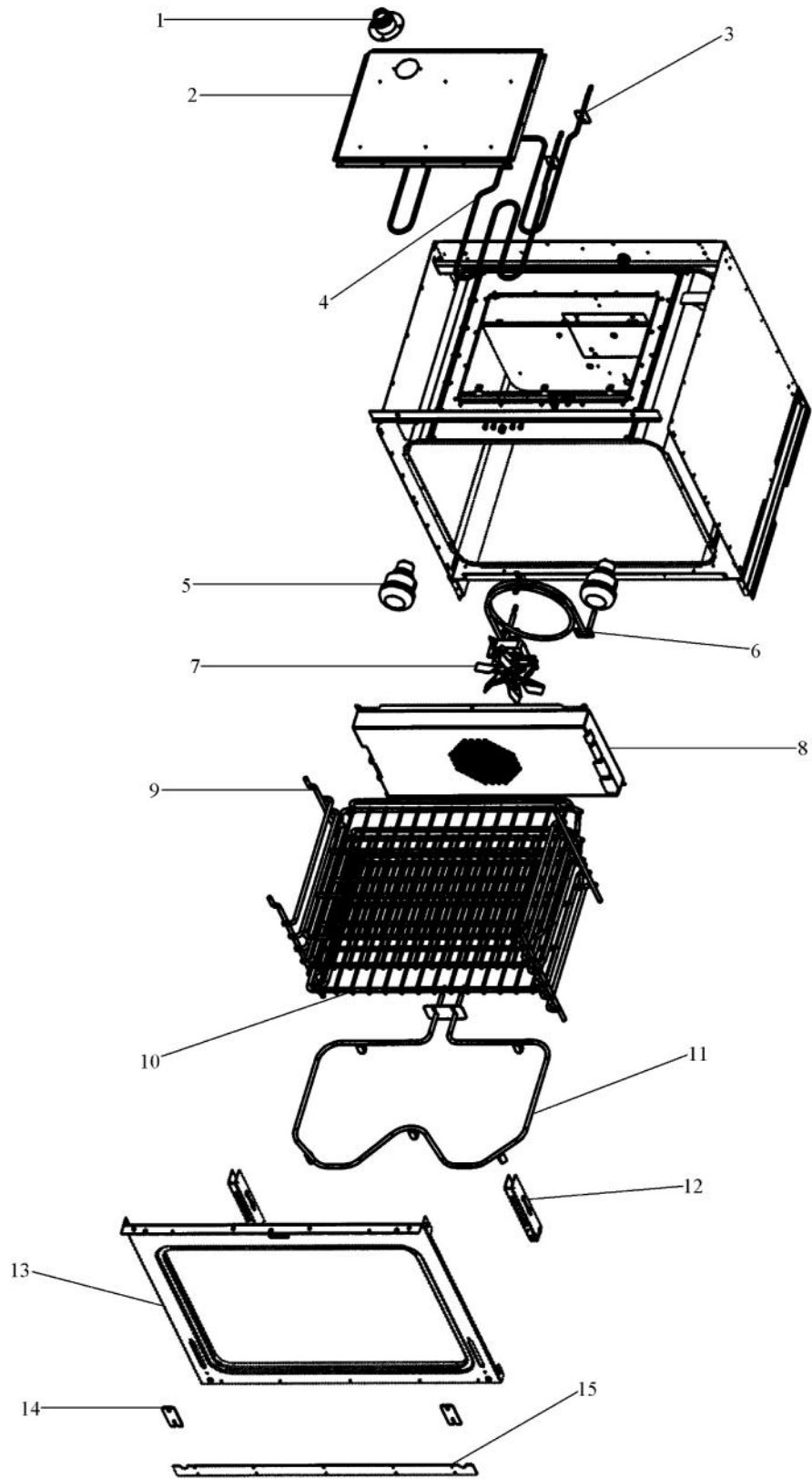


[Find Your VIKING Oven Parts - Select From 98 Models](#)

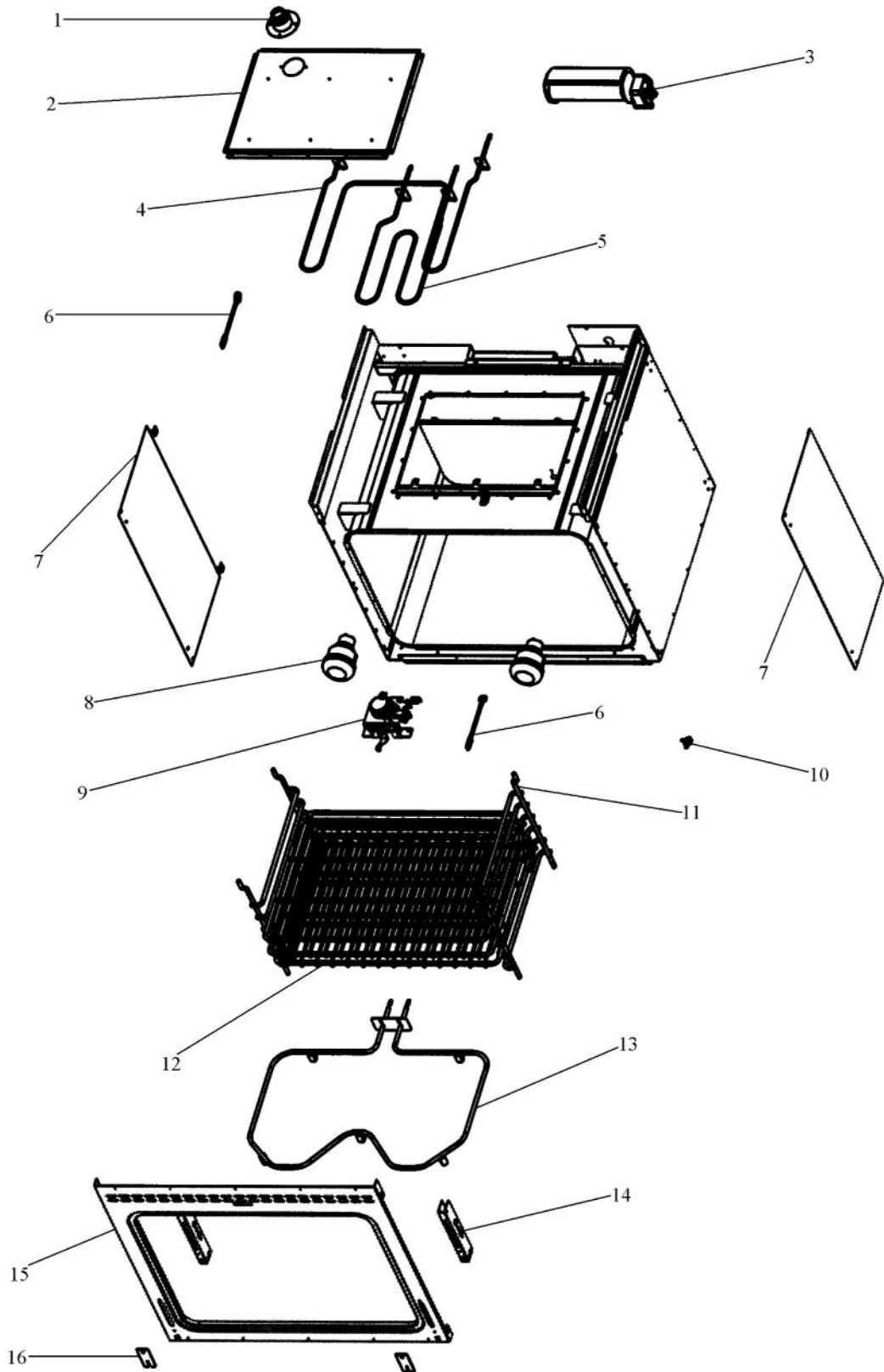
----- Manual continues below -----



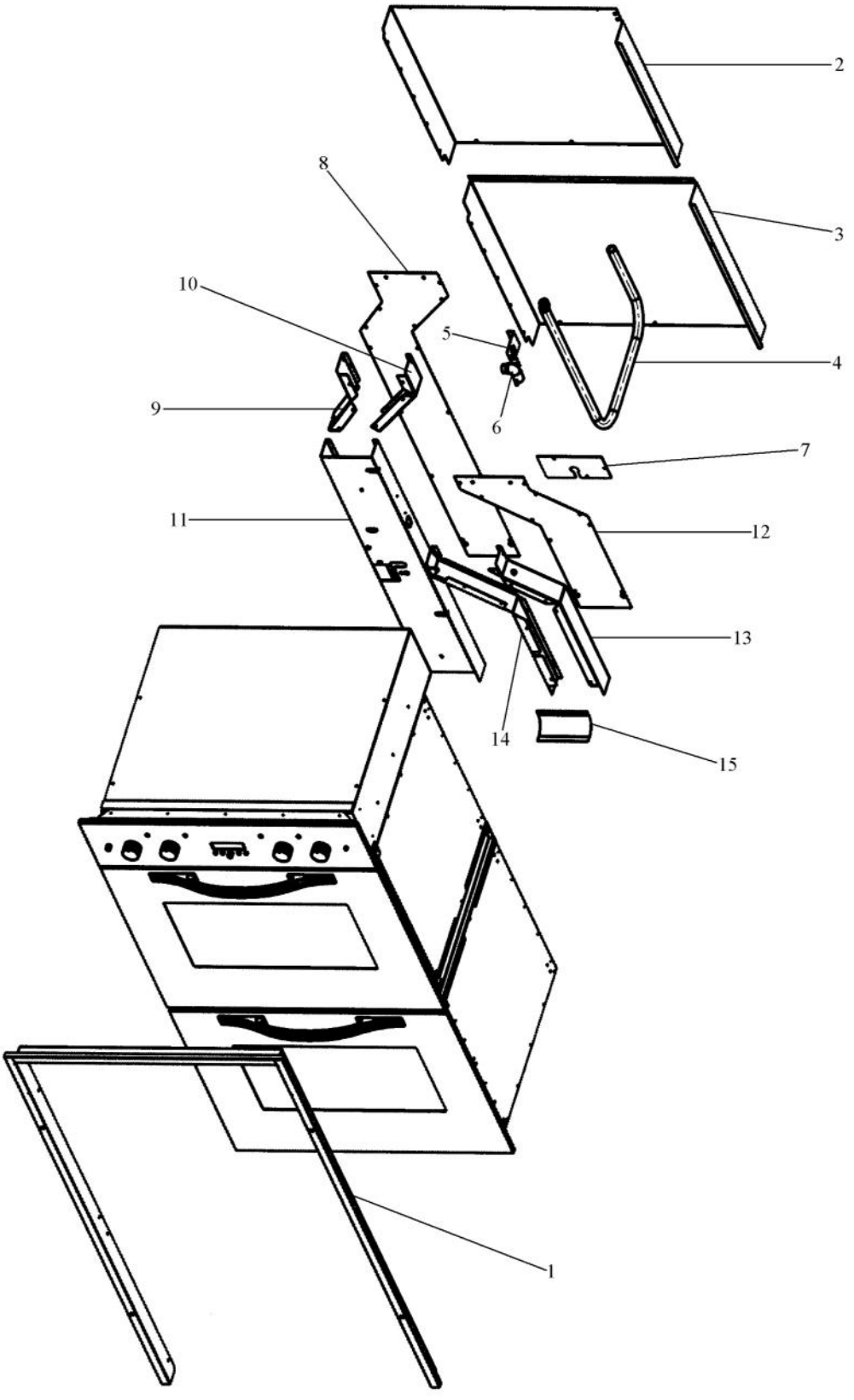
Ref #	Part Number	Qty.	Description
1	A2007957		27`` CABINET TOP
2	A2007905		27`` TOP REAR COVER
3	A2007698		CABINET SIDE RH
4	A2007699		CABINET SIDE LH
5	PE070147		TERMINAL BLOCK
6	PE050087		BLOWER ASSEMBLY - DESIGNER SERIES
7	PJ030002		AUTO RESET (SELF-CLEAN) VDSC
8	A2009884		AUTO RESET BRACKET
9	PE070472		ELECTRONIC CONTROL BOARD
10	A2006109		SELECTOR SWITCH COVER
11	PE050112		DOOR LATCH
12	A2006100		THREE POSITION SELECTOR BRKT
13	A20010135		CLOCK MOUNTING BRACKET
14	A2006101		OVEN LIGHT SWITCH BRACKET
15	PJ030010		SELECTOR SWITCH (3-POSITION)VEDO205
16	PJ030001		SELECTOR SWITCH (8-POSITION) VDSC
17	PJ030037		SUB TO PS500033 - SELF CLEAN THERMOSTAT
18	PE050130		CLOCK
19	PJ030025		5 POS SELECTOR SWITCH
20	H91010133		CONTROL MOUNTING PANEL ASSY 27
21	B92010128		CONTROL PANEL 27
	C92010128BK		CTRL PANEL 27 XBKX SLK. SC.
	C92010128WH		CTRL PANEL 27 XWHX SLK. SC.
22	PA010110		DESIGNER OVEN SELECTOR KNOB REPL PA010092
	PA010110PVD		DESIGNER OVEN SELECTOR KNOB-BRASS
23	PA010091		SELECTOR KNOB - BK
	PA010091PVD		DESIGNER SELECTOR KNOB - BR
	PA010095		DESIGNER SELECTOR KNOB - GRAY
	PA010095PVD		DESIGNER SELECTOR KNOB-BR/GRAY
24	PB010196		DESIGNER THERMOSTAT KNOB
	PB010196PVD		DESIGNER THERMOSTAT KNOB W/BRASS
	PB010204		DESIGNER THERMOSTAT KNOB - GRAY
	PB010204PVD		DESIGNER THERMOSTAT KNOB -BR/GRAY
25	PE050073		DESIGNER INDICATOR LT
26	PB010269		CLOCK BUTTON
27	PB010222		DESIGNER BIT GENERATOR KNOB
	PB010222PVD		DESIGNER BIT GENERATOR KNOB-BRASS
28	PE050059		HI-LIMIT SWITCH
29	PJ030006		SWITCH (COOLING FAN)
30	PA010093		DESIGNER OVEN LT SWITCH KNOB
	PA010093PVD		DESIGNER OVEN LT SWITCH KNOB-BRASS
31	G4008423		DESIGNER OVEN LIGHT SWITCH ASSY



Ref #	Part Number	Qty.	Description
1	PM010014		SMOKE ELIMINATOR (VDSC)
2	B2004311		BROILER TOP (27) (VESO176/DO276)
3	PJ010011		OUTSIDE BROIL ELEMENT (27 OVEN)240
4	PJ010001		BROIL ELEMENT 240V
5	PE050009		OVEN LIGHT SOCKET - 36 BUILT-IN
6	PJ010003		CONVECTION ELEMENT (VDSC) 240V
7	PE050005		CONVECTION FAN ASSY
8	E9104309		CONVECTION FAN COVER
9	PB060030		RACK SUPT REPL PB060010
10	PB060048		OVEN RACK - 27
11	PJ010012		BAKE ELEMENT (VESO176/VEDO276)240V
12	PC020016		HINGE RECEIVER (VEDO/VEDO)
13	H9106146		27 INCH DESIGNER F.F. ASSEMBLY
14	B1007234		HINGE TRIM REPL B2102963 2 EA
15	B2007916		CABINET TRIM 27``

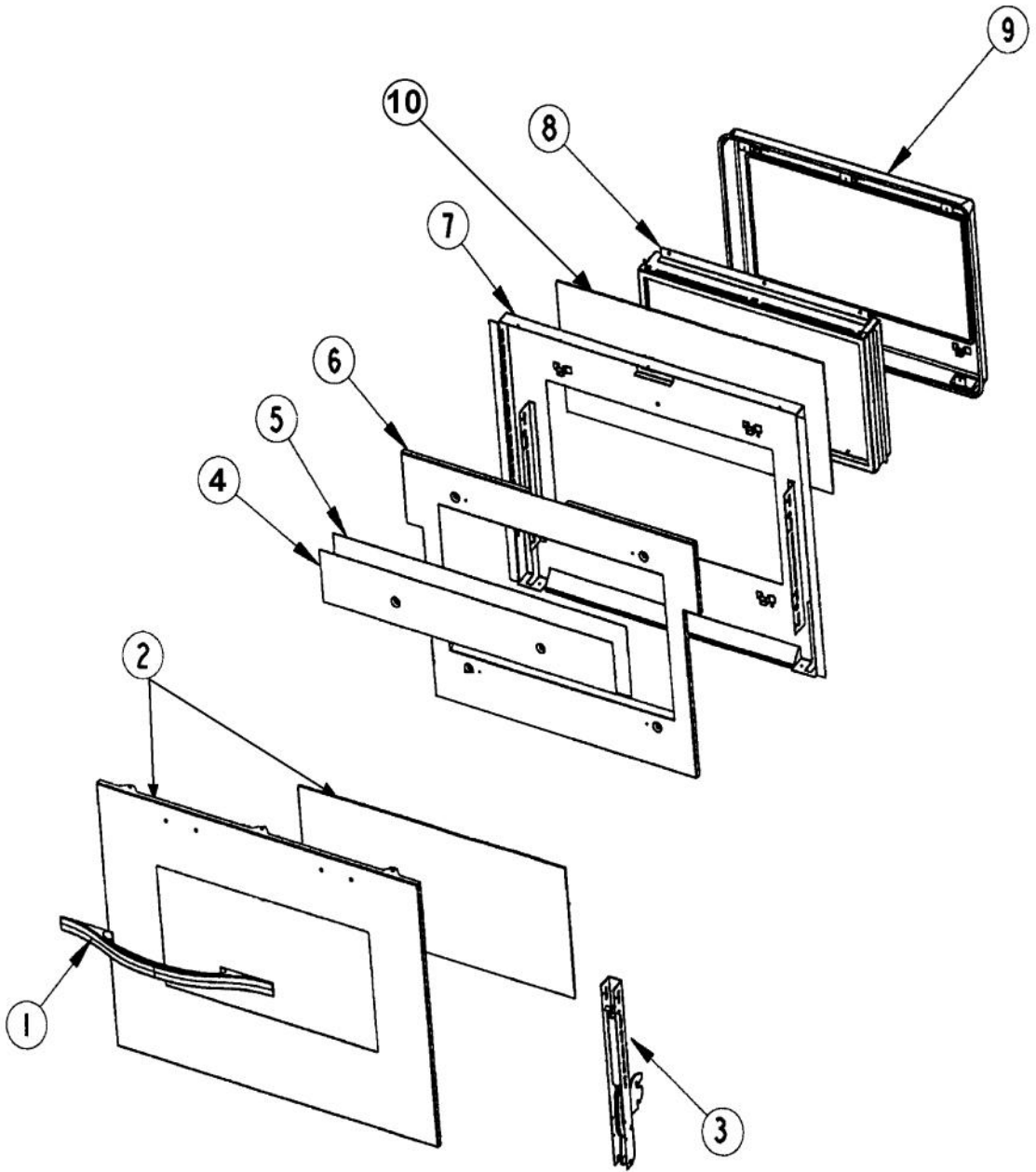


Ref #	Part Number	Qty.	Description
1	PM010014		SMOKE ELIMINATOR (VDSC)
2	B2004311		BROILER TOP (27) (VESO176/DO276)
3	PE050087		BLOWER ASSEMBLY - DESIGNER SERIES
4	PJ010011		OUTSIDE BROIL ELEMENT (27 OVEN)240
5	PJ010001		BROIL ELEMENT 240V
6	PE050059		HI-LIMIT SWITCH
7	A2006193		HEAT SHIELD
8	PE050009		OVEN LIGHT SOCKET - 36 BUILT-IN
9	PE050112		DOOR LATCH
10	PJ030006		SWITCH (COOLING FAN)
11	PB060030		RACK SUPT REPL PB060010
12	PB060048		OVEN RACK - 27
13	PJ010012		BAKE ELEMENT (VESO176/VEDO276)240V
14	PC020016		HINGE RECEIVER (VEDO/VEDO)
15	H9107468		27 LOWER FRONT FRAME ASSY
16	B1007234		HINGE TRIM REPL B2102963 2 EA

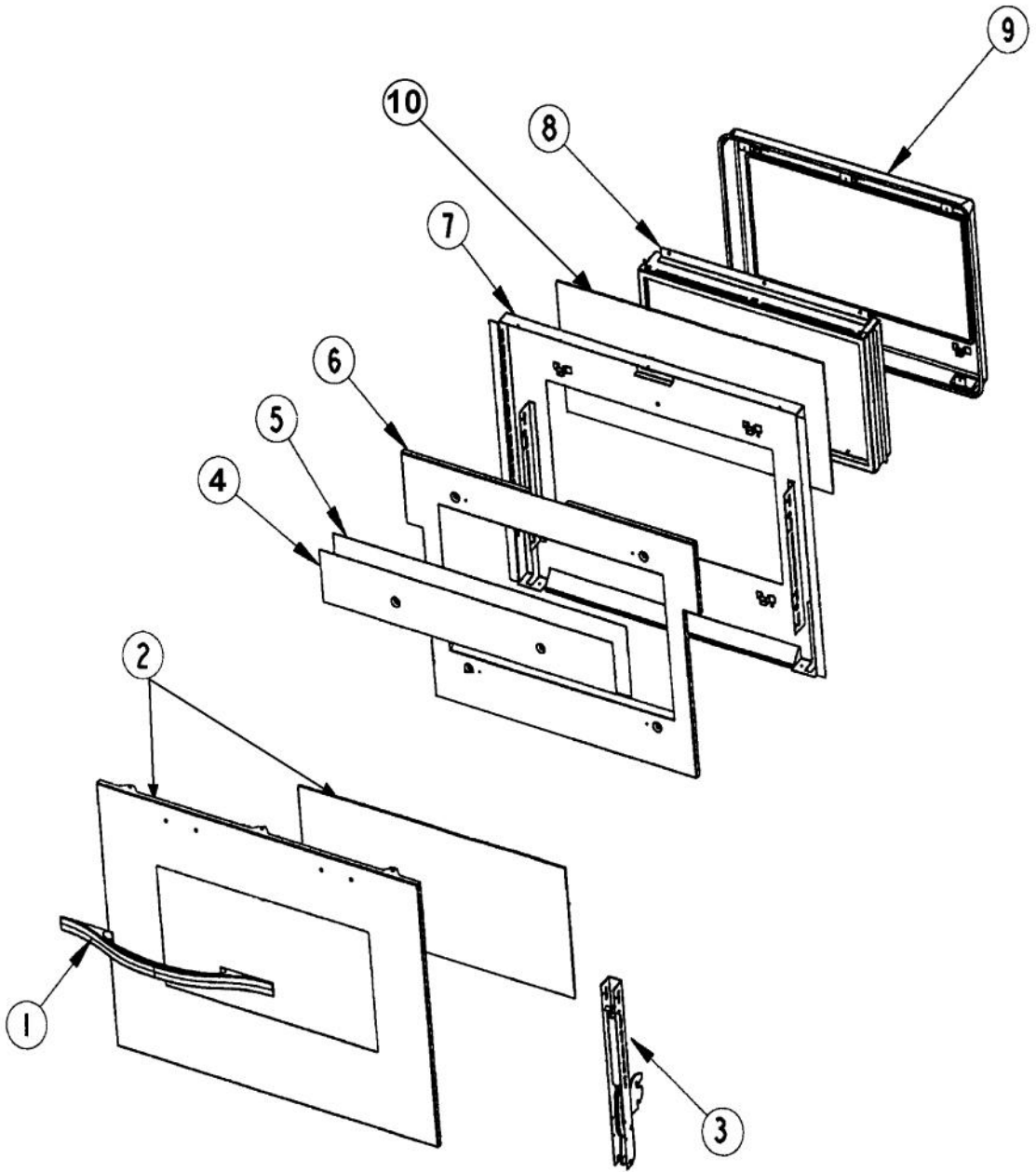




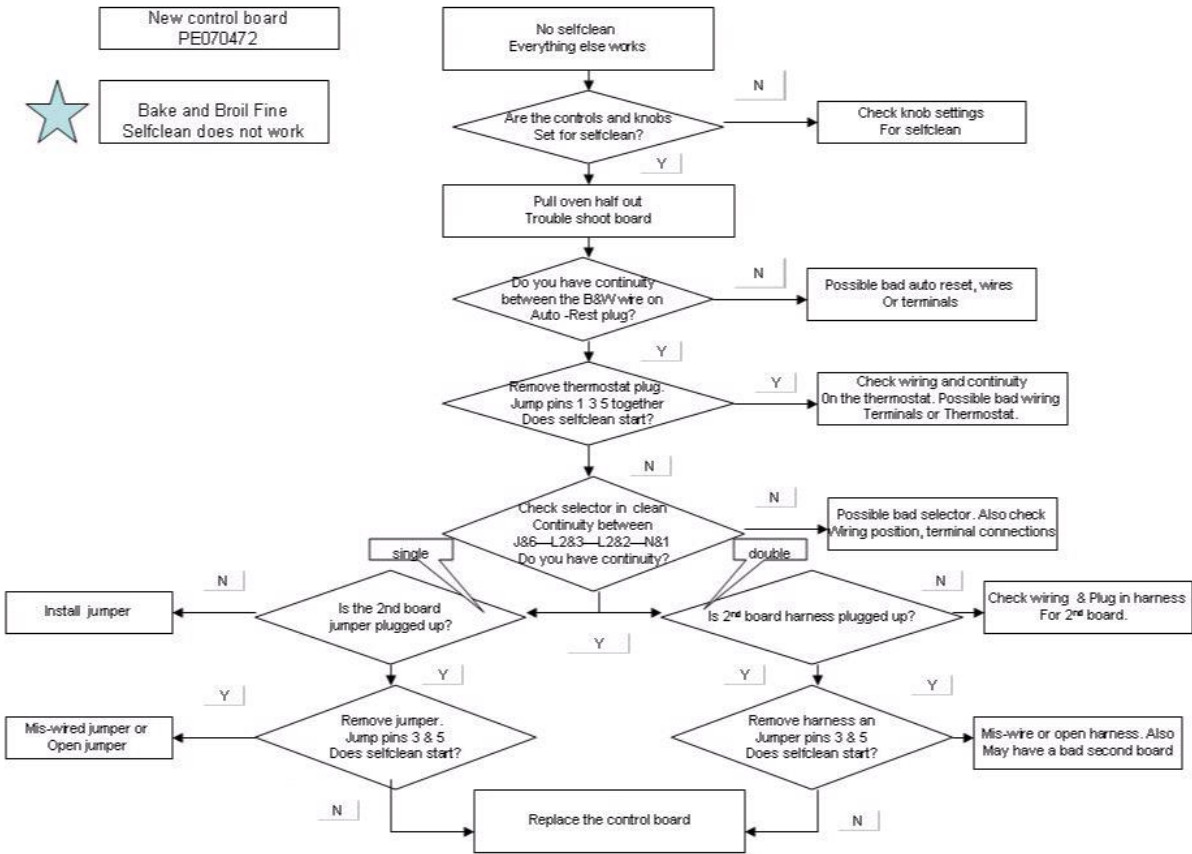
Ref #	Part Number	Qty.	Description
1	G3007287		DEDO270/275 TRIM ASSY
	G9007613BK		TRIM ASSEMBLY - BK
	G9007613BT		SUB TO G90012655BT - DEDO270/275 TRIM ASSY XBTX
	G9007613GG		SUB TO G90012655GG - DEDO270/275 TRIM ASSY XGGX
	G9007613SG		SUB TO G90012655SG - DEDO270/275 TRIM ASSY XSGX
	G9007613WH		SUB TO G90012655WH - DEDO270/275 TRIM ASSY XWHX
2	A2007877		27 UPPER OUTER BACK
3	A2007878		27 LOWER OUTER BACK
4	PB020071		CONDUIT - FLEXIBLE (48)
5	A2005777		CONDUIT BRACKET
6	PB040070		CONDUIT FITTING (90 DEG)
7	A1006103		RH LOWER REAR COVER 30 (DEDO200)
8	A1006179		DOUBLE VENT COVER PLATE
9	A2006324		VENT SIDE LH
10	A2006323		VENT SIDE RH
11	A2006199		LOWER AIR VENT
12	A1006178		LOWER VENT COVER PLATE
13	A2006321		LOWER VENT SIDE RH
14	A2006322		LOWER VENT SIDE RH
15	A2006182		AIR SCOOP



Ref #	Part Number	Qty.	Description
1	PE030165		27 DOOR HANDLE
	PE030165PVD		27 DOOR HANDLE PVD
2	G5008295BK		O/S DOOR SKIN ASSEMBLY (DESIGN)
	G5008295BT		O/S DOOR SKIN ASSEMBLY (DESIGN)
	G5008295GG		O/S DOOR SKIN ASSEMBLY (DESIGN)
	G5008295SG		O/S DOOR SKIN ASSEMBLY (DESIGN)
	G5008295SS		O/S DOOR SKIN ASSEMBLY (DESIGN)
	G5008295WH		O/S DOOR SKIN ASSEMBLY (DESIGN)
3	PC020139		DESIGNER DOOR HINGE (AFTER 2/15/02)
4	A1006198		OUTER DOOR HEAT SHEILD 27
5	A1006197		INNER DOOR HEAT SHEILD 27
6	E9106007		27 INCH DOOR INSULAION RETAINER
7	G50010119		DESO170/175/DED0270/275 DR LINER SVC-KIT
8	G3206150		27 INCH DESIGNER GLASS PACK ASSY
9	G50010119		DESO170/175/DED0270/275 DR LINER SVC-KIT
NI	PB070041		SUB TO 000623-000 - DOOR GASKET(3/8DIA.) (VDSC)
10	PE060056		27 GLASS PACK GLASS H.T.
NI	PB070092		BOARD INSULATION 27
NI	G3207968BK		DOOR ASSY XBKX (DED0270/DESO170)
	G3207968BKBR		COMPLETE DOOR ASSY - BKBR (AFTER 2/15/02)
	G3207968BT		DOOR ASSY XBTX (DED0270/DESO170)
	G3207968BTBR		COMPLETE DOOR ASSY - BTBR (AFTER 2/15/02)
	G3207968GG		DOOR ASSY XGGX (DED0270/DESO170)
	G3207968GGBR		COMPLETE DOOR ASSY - GGBR (AFTER 2/15/02)
	G3207968SG		DOOR ASSY XSGX (DED0270/DESO170)
	G3207968SGBR		DOOR ASSY XSGXBRX (DED0270/DESO170)
	G3207968SS		DOOR ASSY XSSX (DED0270/DESO170)
	G3207968SSBR		COMPLETE DOOR ASSY - SSBR (AFTER 2/15/02)
	G3207968WH		DOOR ASSY XWHX (DED0270/DESO170)
	G3207968WHBR		COMPLETE DOOR ASSY - WHBR (AFTER 2/15/02)
NI	PD020032		SRW-8(A)X3/8PH.WFR HD 7/16DIAXNICL
NI	B1007913		HINGE CLIP (DESIGNER TIME PIECE)



Ref #	Part Number	Qty.	Description
1	PE030165		27 DOOR HANDLE
	PE030165PVD		27 DOOR HANDLE PVD
2	G5008296BK		O/S DOOR SKIN ASSEMBLY (DESIGN)
	G5008296BT		COMPLETE DOOR ASSY (DESIGN)
	G5008296GG		COMPLETE DOOR ASSY (DESIGN)
	G5008296SG		COMPLETE DOOR ASSY (DESIGN)
	G5008296SS		COMPLETE DOOR ASSY (DESIGN)
	G5008296WH		COMPLETE DOOR ASSY (DESIGN)
3	PC020139		DESIGNER DOOR HINGE (AFTER 2/15/02)
4	A1006198		OUTER DOOR HEAT SHEILD 27
5	A1006197		INNER DOOR HEAT SHEILD 27
6	E9106007		27 INCH DOOR INSULAION RETAINER
7	G50010119		DESO170/175/DED0270/275 DR LINER SVC-KIT
8	G3206150		27 INCH DESIGNER GLASS PACK ASSY
NI	PB070041		SUB TO 000623-000 - DOOR GASKET(3/8DIA.) (VDSC)
9	G50010119		DESO170/175/DED0270/275 DR LINER SVC-KIT
10	PE060056		27 GLASS PACK GLASS H.T.
NI	PB070092		BOARD INSULATION 27
NI	G3207967BK		COMPLETE DOOR ASSY - BK (AFTER 2/15/02)
	G3207967BKBR		COMPLETE DOOR ASSY - BKBR (AFTER 2/15/02)
	G3207967BT		LOWER DR ASSY XBTX (DED0270)
	G3207967BTBR		COMPLETE DOOR ASSY - BTBR (AFTER 2/15/02)
	G3207967GG		COMPLETE DOOR ASSY - GG (AFTER 2/15/02)
	G3207967GGBR		COMPLETE DOOR ASSY - GGBR (AFTER 2/15/02)
	G3207967SG		LOWER DR ASSY XSGX (DED0270)
	G3207967SGBR		COMPLETE DOOR ASSY - SGBR (AFTER 2/15/02)
	G3207967SS		LOWER DR ASSY XSSX (DED0270)
	G3207967SSBR		COMPLETE DOOR ASSY - SSBR (AFTER 2/15/02)
	G3207967WH		LOWER DR ASSY XWHX (DED0270)
	G3207967WHBR		COMPLETE DOOR ASSY - WHBR (AFTER 2/15/02)
NI	PD020032		SRW-8(A)X3/8PH.WFR HD 7/16DIAXNICL
NI	B1007913		HINGE CLIP (DESIGNER TIME PIECE)



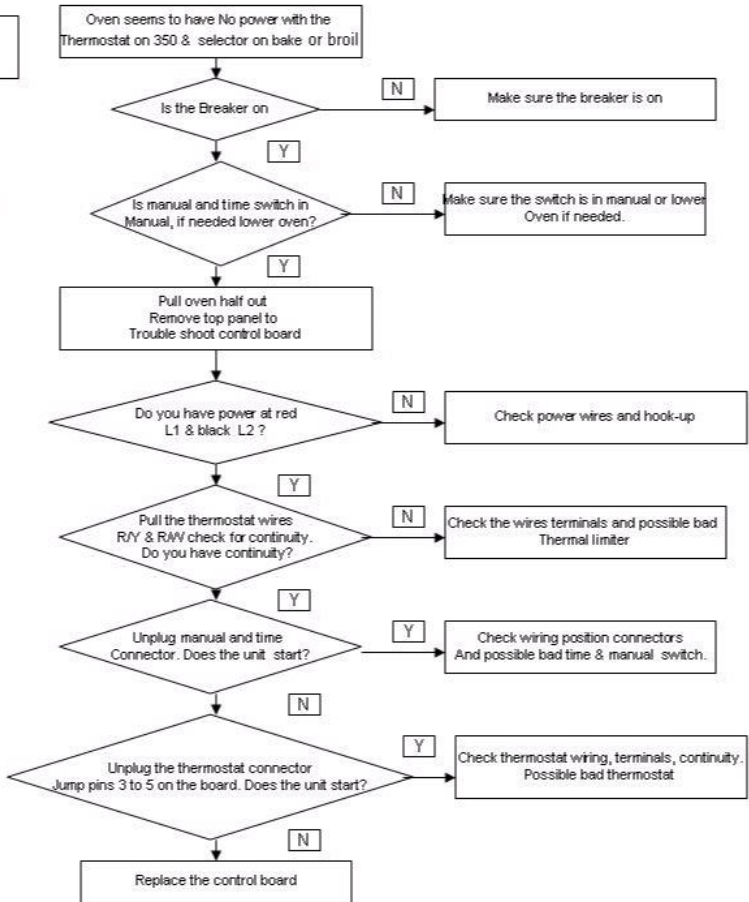
Ref #	Part Number	Qty.	Description
-------	-------------	------	-------------

---

Servicing new control boards.  
PE070472



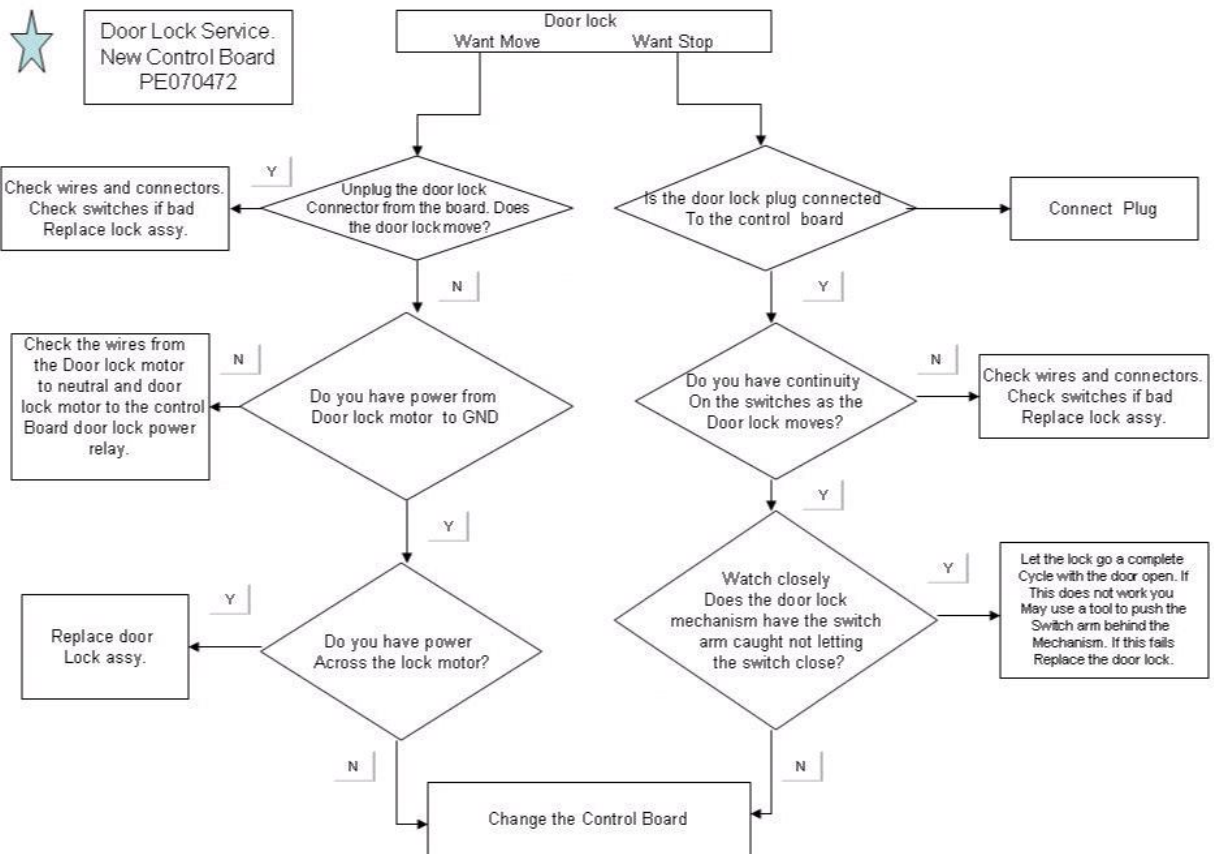
Oven will not  
Come on.





Ref #	Part Number	Qty.	Description
-------	-------------	------	-------------

---



Ref #	Part Number	Qty.	Description
-------	-------------	------	-------------

---