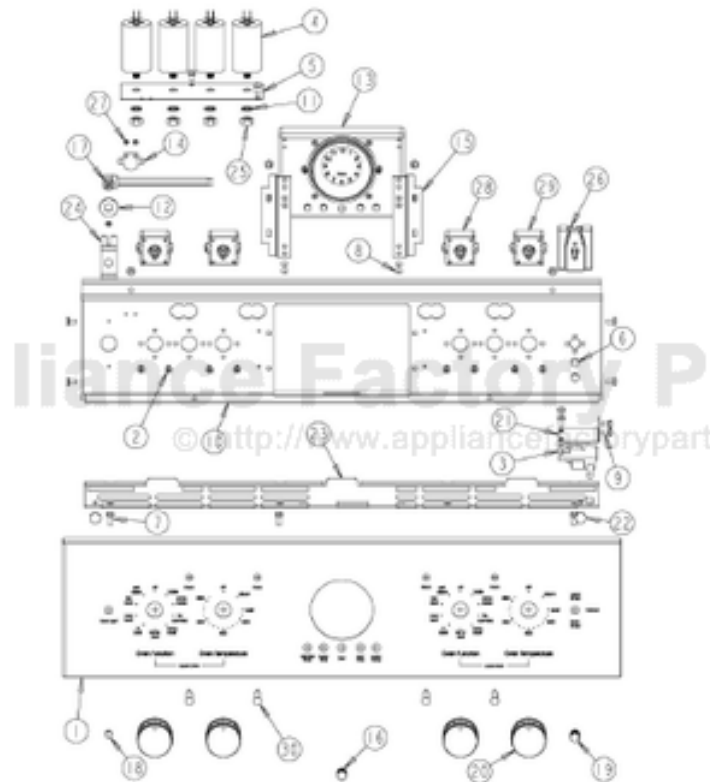


This Owner's Manual is provided and hosted by [Appliance Factory Parts](#).



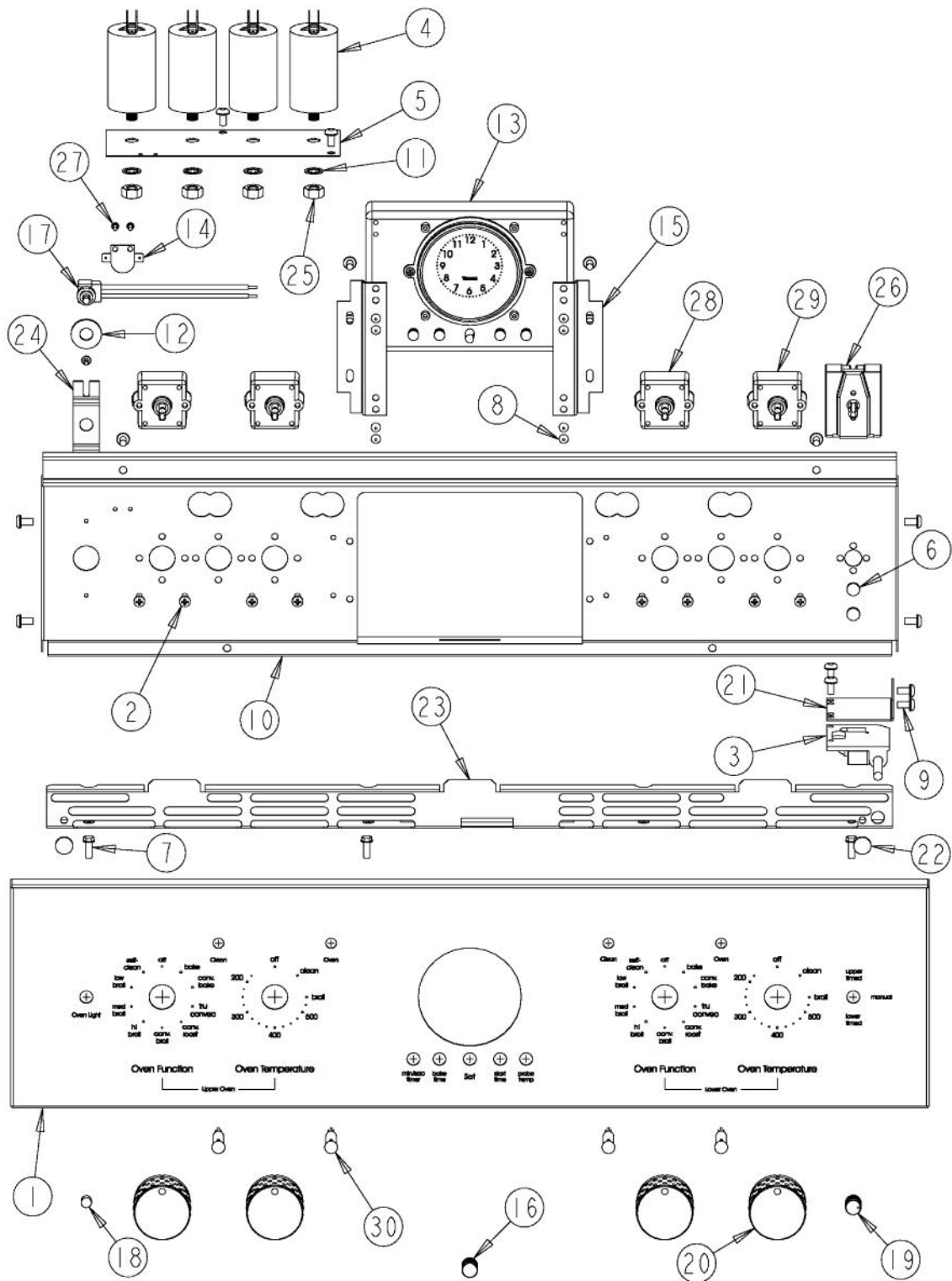
VIKING DEDO527 Owner's Manual

[Shop genuine replacement parts for VIKING DEDO527](#)

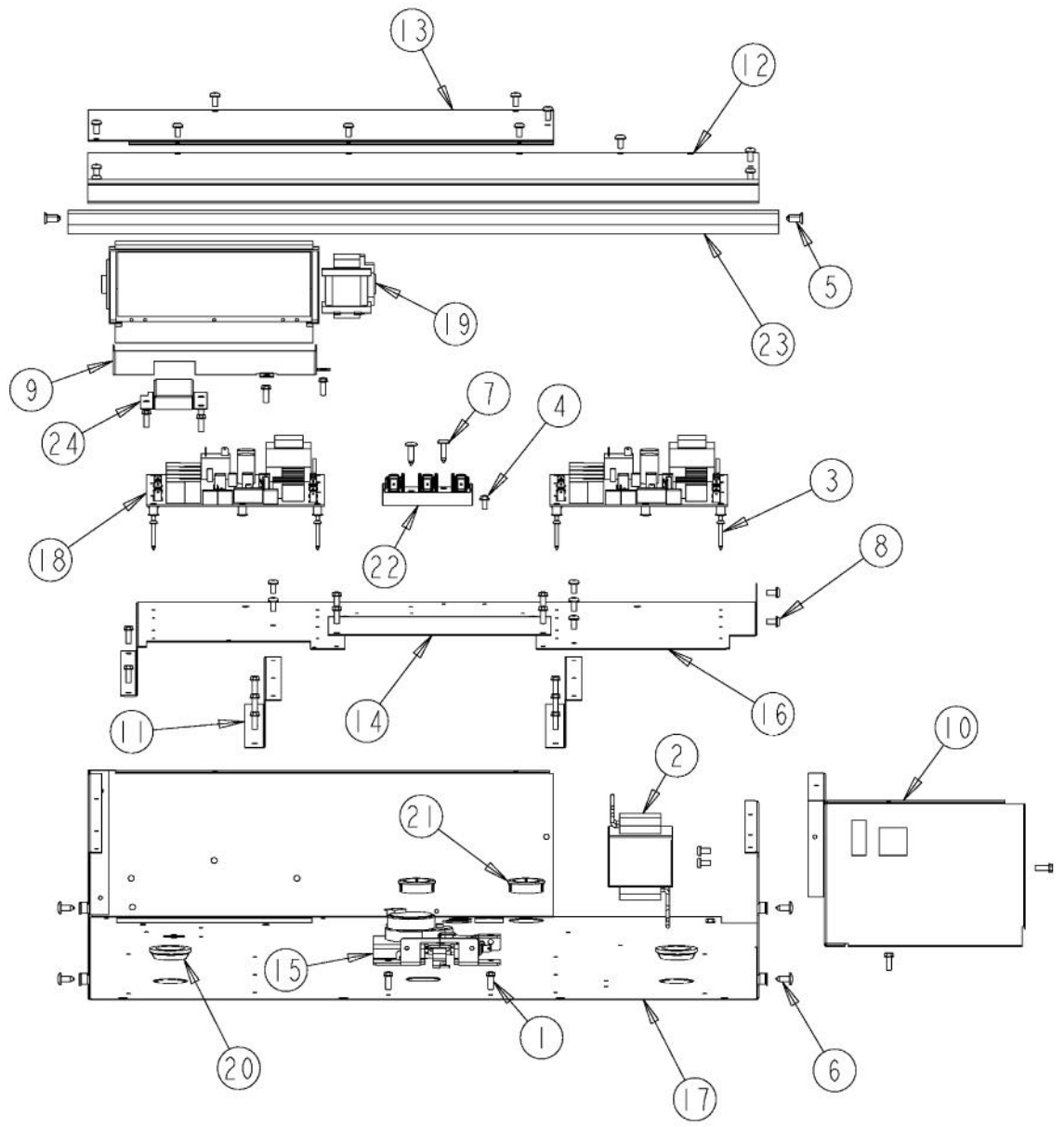


[Find Your VIKING Oven Parts - Select From 98 Models](#)

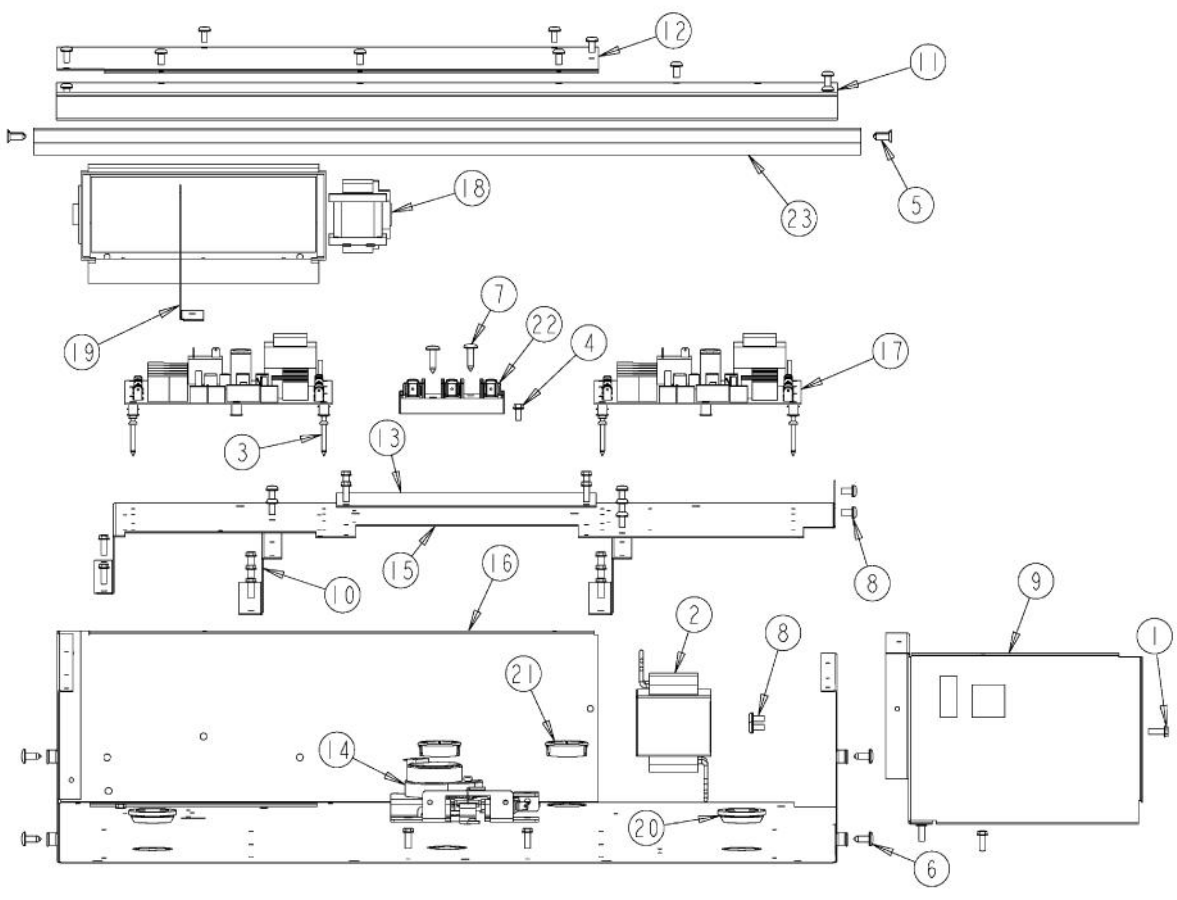
----- Manual continues below -----



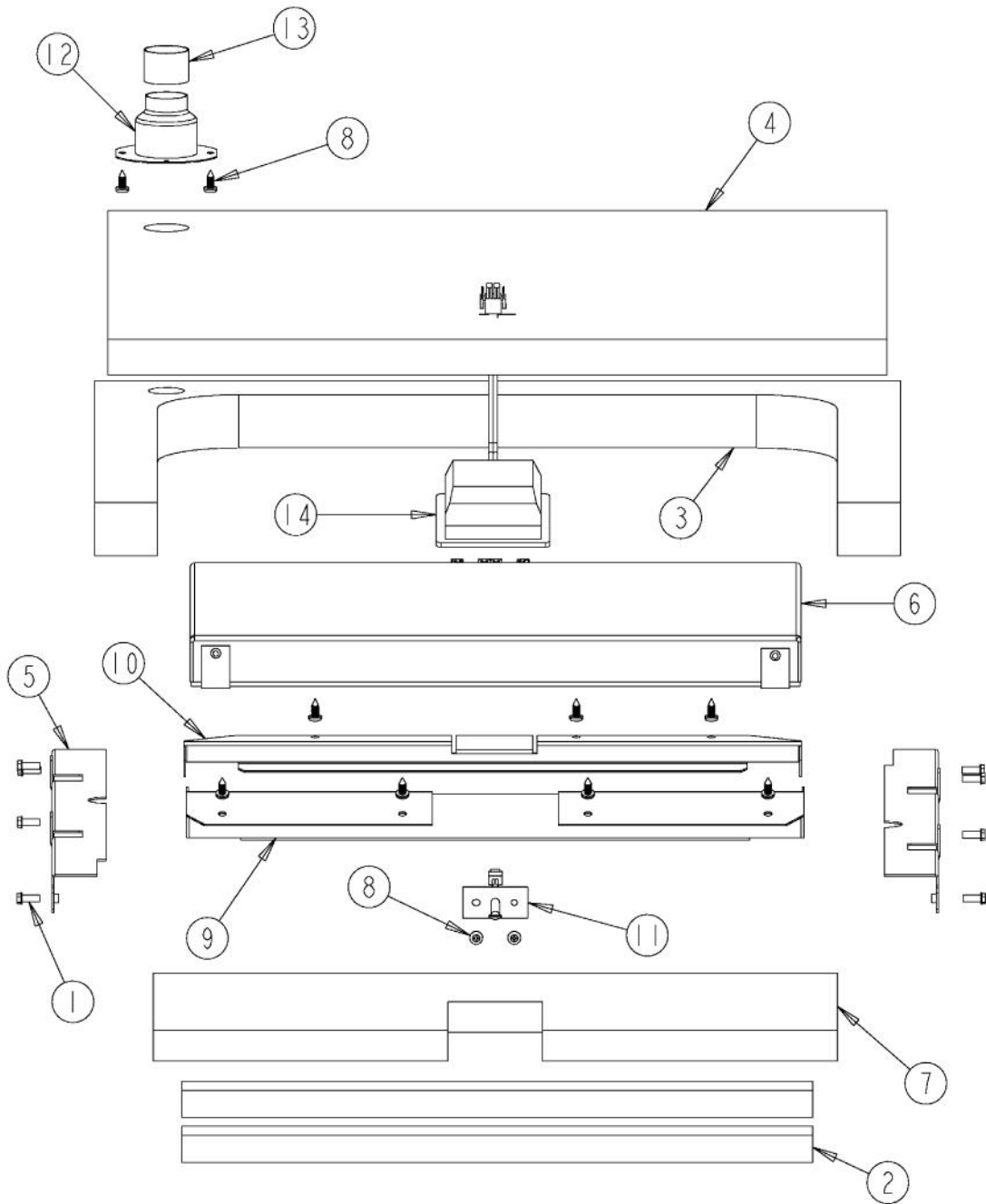
Ref #	Part Number	Qty.	Description
1	B92012631		27 ULTRA DOUBLE CONTROL PNL.
	C92012631BK		27 ULTRA DOUBLE CONTROL PNL. XBKX
	C92012631BT		27 ULTRA DOUBLE CONTROL PNL. XBTX
	C92012631GG		27 ULTRA DOUBLE CONTROL PNL. XGGX
	C92012631SG		27 ULTRA DOUBLE CONTROL PNL. XSGX
	C92012631WH		27 ULTRA DOUBLE CONTROL PNL. XWHX
2	PD020261		NO.8-32X1/2 PH PANHEAD MACH. SCREW
3	PE050208		DOOR SWITCH
4	PE050247		EBM FAN MOTOR CAPACITOR
5	A10014027		4 CAPACITOR BRACKET
6	PD020044		NO.8-32 X 1/4 PH. TR. HD. M.S.
7	PD020060		10 X 1/2 (5/16)HEX WSHR HD.(T)A
8	PD020006		NO.6-32 X 1/4 PH.PAN HD. T(F)
9	PD020004		10X3/8PH.HD.TYPE 25 REPL PD040125
10	A20012636		27 CONTROL MTG. PANEL
11	PD040164		5/16 INTERNAL TOOTH LOCK WASHER TYPE A
12	PD040160		3/8 STEEL WASHER
13	PE050140		ANALOG CLOCK 220V 50/60H
14	G50015486		DESIGNER LIMIT SWITCH KIT (BEFORE 07-24-06)
	PJ030043		BI-METAL THERMOSTAT (N.C.) 180 DEGREES (AFTER 07-24-06)
15	A20012639		CLOCK BRACKET (ANALOG)
16	PB010313		DESIGNER BIT GENERATOR KNOB
	PB010313PVD		DESIGNER BIT GENERATOR KNOB-BRASS
17	PE050076		DESIGNER OVEN LIGHT SWITCH
18	PA010093		DESIGNER OVEN LT SWITCH KNOB
	PA010093PVD		DESIGNER OVEN LT SWITCH KNOB-BRASS
19	PA010192		DES. MANUAL TIME KNOB
	PA010192PVD		DES. MANUAL TIME KNOB-BRASS
20	PA010194		DES. SELECTOR/THERMOSTAT KNOB
	PA010194PVD		DES. SELECTOR/THERMOSTAT KNOB-BRASS
	PA010195		DES. SELECTOR/THERMOSTAT KNOB - GREY
	PA010195PVD		SELECTOR / THERMOSTAT KNOB - WH / BR
21	A20012649		DOOR SWITCH BRACKET
22	PD040004		GROMMET BUMPER
23	C90014073BK		27 INLET GRILL
24	A10014045		LIGHT SWITCH BRACKET
25	PD030172		M8 X 1.25MM NUT
26	PJ030036		3 POSITION SELECTOR SWITCH
27	PD020013		TYPE AB NO.6 X 3/8 PH PAN HD. SMS
28	PJ030033		SELECTOR (10 POS)
29	PJ030035		THERMOSTAT
30	PE050078		VECU POWER LIGHT



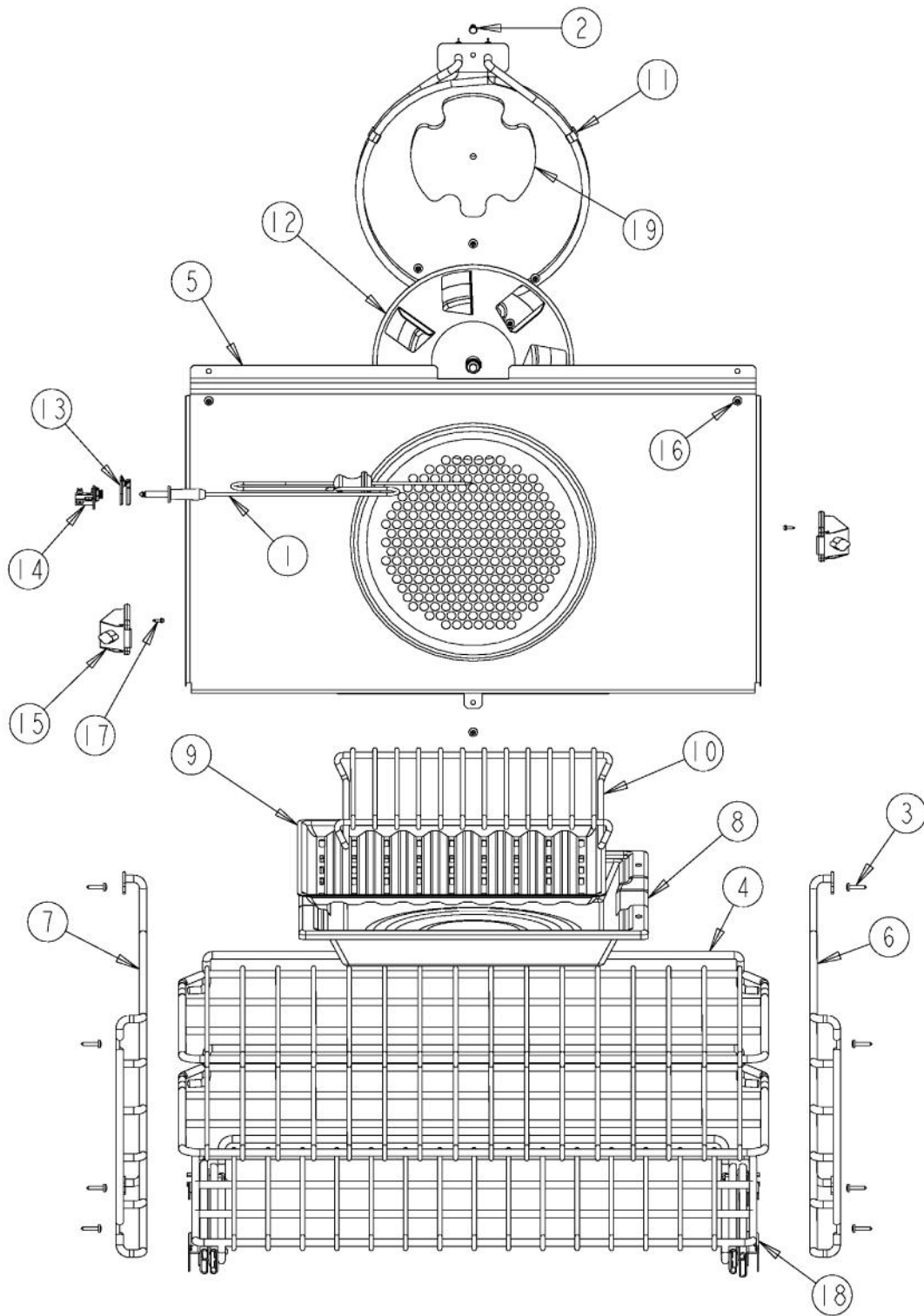
Ref #	Part Number	Qty.	Description
1	PD020060		10 X 1/2 (5/16)HEX WSHER HD.(T)A
2	PE070634		HALOGEN LIGHT TRANSFORMER
3	PD020185		NO.6 X 1 PAN HEAD SCREW
4	PD020010		10 X 3/8 GREEN GROUNDING SCREW
5	PD020231		NO.8 X 1/2 PH FLAT HEAD TEK SCREW (BLACK OXIDE)
6	PD020002		10 X 1/2 PH.TR.HD.SMS.
7	PD020014		10X3/4 PH TR HD SMS
8	PD020004		10X3/8PH.HD.TYPE 25 REPL PD040125
9	A20014035		27 BLOWER BRACKET
10	A20010934		BRACKET, MODULE PAN
11	A20010910		BRACKET, SUPPORT, ELECTRONICS HAT
12	A20014046		27 FRONT COVER
13	A20014047		27 REAR COVER
14	A10010911		COVER, LATCH
15	PE050210		DOOR LATCH
16	A20010935		ELECTRONICS HAT
17	A20010933		MODULE PAN 27
18	PE070631		CONTROL BOARD
19	PE050228		PREMIUM BLOWER
20	PB070079		SILICONE EXTRUSION (DGSU)
21	PD040152		SNAP BUSHING
22	PE070147		TERMINAL BLOCK
23	PE040279		27 DES. TOP TRIM
24	A20014033		UPPER VENT COVER



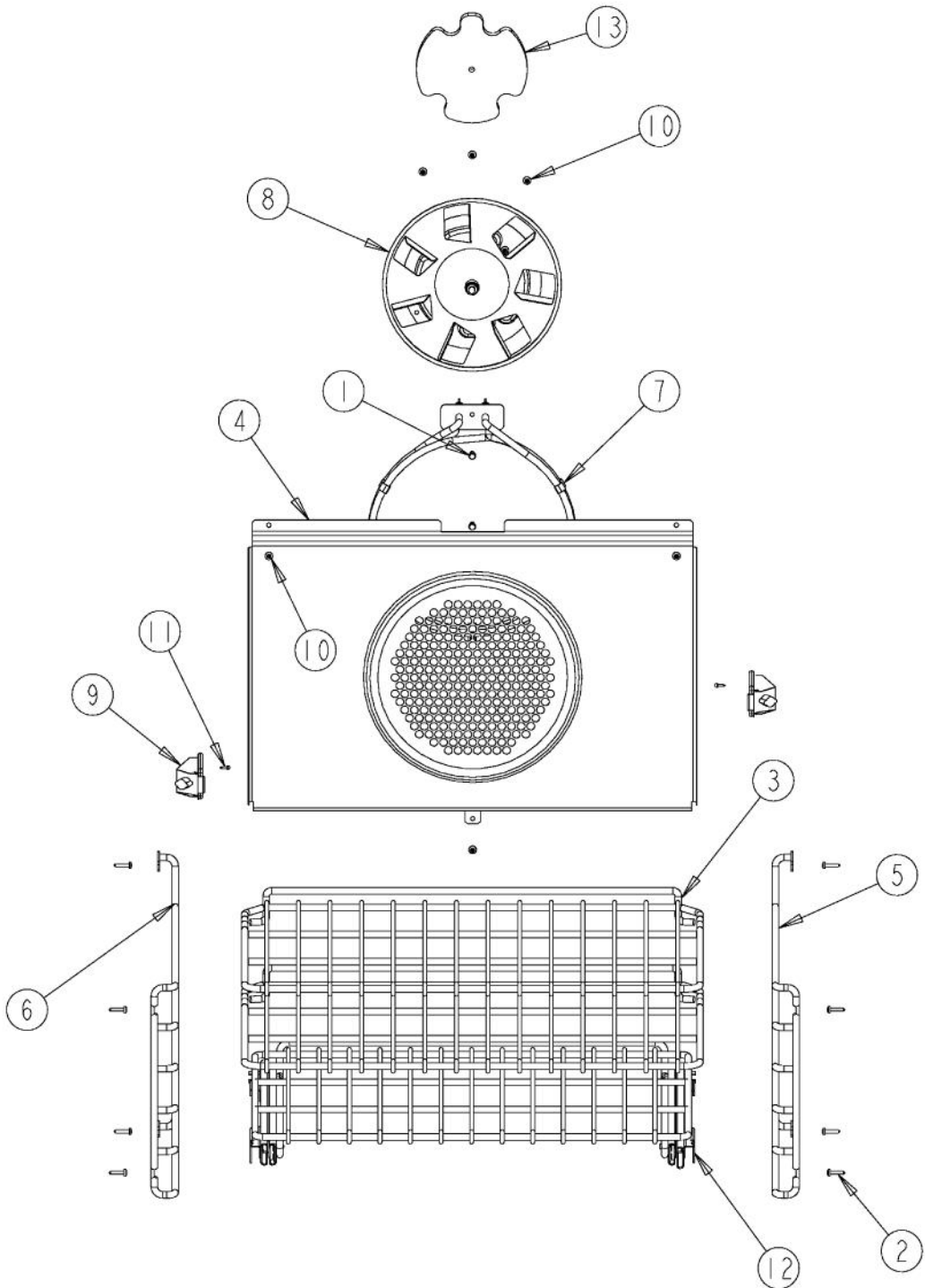
Ref #	Part Number	Qty.	Description
1	PD020060		10 X 1/2 (5/16)HEX WSHR HD.(T)A
2	PE070634		HALOGEN LIGHT TRANSFORMER (USED ONLY ON UNITS BEFORE SERIAL NO. C-0396)
3	PD020185		NO.6 X 1 PAN HEAD SCREW
4	PD020010		10 X 3/8 GREEN GROUNDING SCREW
5	PD020231		NO.8 X 1/2 PH FLAT HEAD TEK SCREW (BLACK OXIDE)
6	PD020002		10 X 1/2 PH.TR.HD.SMS.
7	PD020014		10X3/4 PH TR HD SMS
8	PD020004		10X3/8PH.HD.TYPE 25 REPL PD040125
9	A20010934		BRACKET, MODULE PAN
10	A20010910		BRACKET, SUPPORT, ELECTRONICS HAT
11	A20014046		27 FRONT COVER
12	A20014047		27 REAR COVER
13	A10010911		COVER, LATCH
14	PE050210		DOOR LATCH
15	A20010935		ELECTRONICS HAT
16	A20010933		MODULE PAN 27
17	PE070631		CONTROL BOARD
18	PE050228		PREMIUM BLOWER
19	A2009667		REAR AIR DIVIDER
20	PB070079		SILICONE EXTRUSION (DGSU)
21	PD040152		SNAP BUSHING
22	PE070147		TERMINAL BLOCK
23	PE040279		27 DES. TOP TRIM



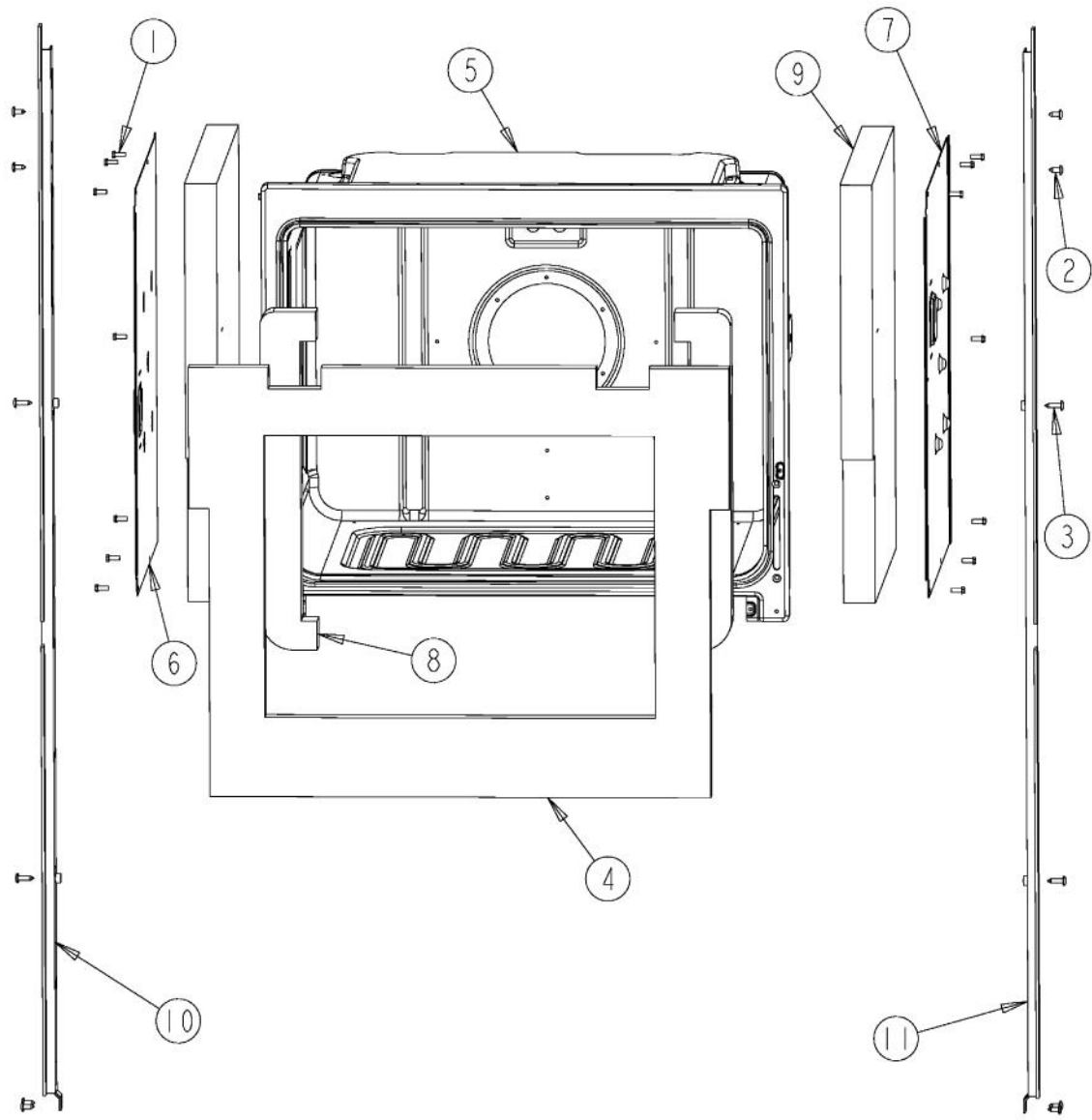
Ref #	Part Number	Qty.	Description
1	PD020060		10 X 1/2 (5/16)HEX WSHR HD.(T)A
2	PB070273		27 WINDOW PACK INSULATION
3	PB070306		27 TOP BROIL INSULATION
4	PB070307		27 TOP INSULATION
5	A2009641		BRKT, TOP WRAPPER
6	PJ010050		SEALED BROIL ELEMENT W/GLASS
7	PB070337		LINER FRONT INSULATION
8	PD020055		NO.10 X 1/2 PAN PHIL. TEK. SS
9	024234-000	1	BRACKET, BROILIER, FRONT
10	024221-000	1	BRACKET, BROILIER, REAR
11	PE050206		RTD THERMOSTAT PROBE
12	PM010014		SMOKE ELIMINATOR (VDSC)
13	PB020275		VENT TUBE
14	PE050205		TOP HALOGEN LIGHT (BEFORE C-0396)
	PE050239		HALOGEN LAMP (AFTER C-0396)



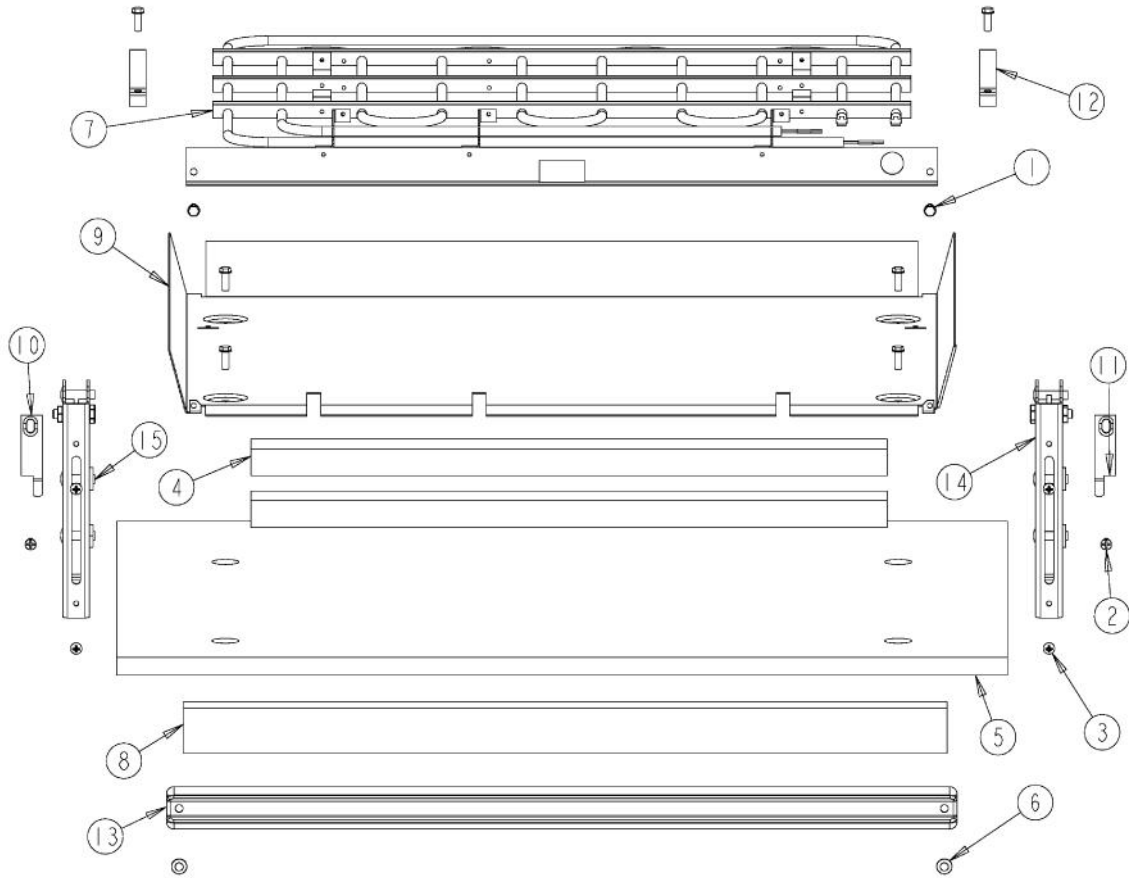
Ref #	Part Number	Qty.	Description
1	PE050114		MEAT PROBE (DESO/DED0) (SWITCHCRAFT'S PART NO. 4...
2	PD020060		10 X 1/2 (5/16)HEX WSHR HD.(T)A
3	PD020232		NO.8 X 3/4 PH PAN HEAD TEK SCREW (BLACK OXIDE)
4	PB060105		27 OVEN RACK
5	G91013597		27 BAFFLE ASSEMBLY
6	PB060103		RACK SUPPORT RH
7	PB060104		RACK SUPPORT LH
8	E9107933		BROILER PAN
9	E9107934		BROILER PAN INSERT
10	PB080020		BROILER PAN RACK
11	PJ010047		CONVECTION ELEMENT
12	G32014020		CONVECTION FAN ASSY
13	PM010160		MEAT PROBE JACK COVER
14	PE050115		MEAT PROBE JACK
15	PE050056		OVEN LIGHT ASSY 12V/5W (BEFORE SERIAL NO. C-0396)
	PE050238		120 VOLT SIDE HALOGEN LIGHT (AFTER SERIAL NO. C-0396)
16	PD020055		NO.10 X 1/2 PAN PHIL. TEK. SS
17	PD020013		TYPE AB NO.6 X 3/8 PH PAN HD. SMS
18	PB060106		27 SLIDING OVEN RACK
19	PB070312		CONVECTION MOTOR MTG. PLATE INSULATION
NI	001097-000		FAN MOTOR JUMPER



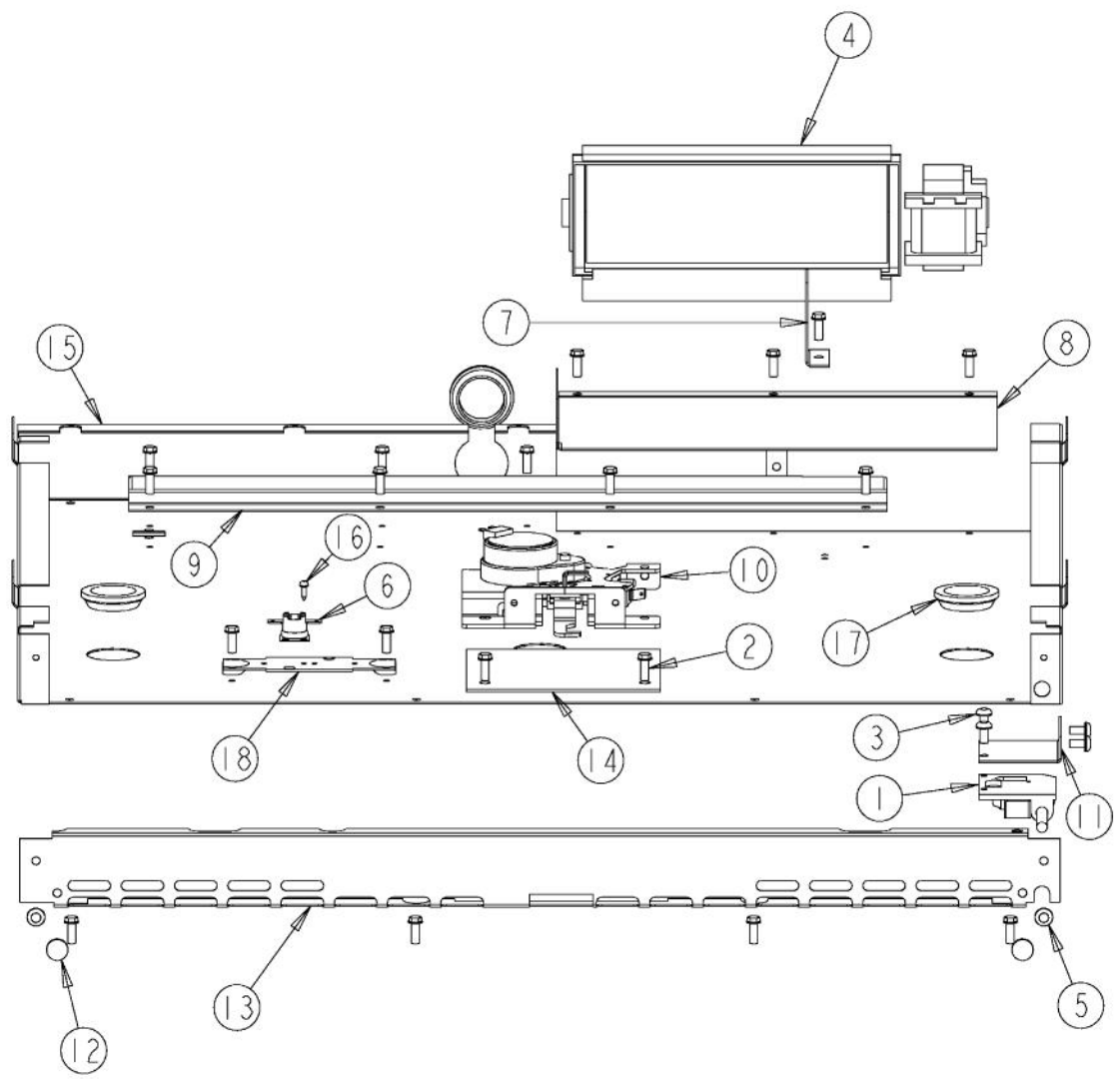
Ref #	Part Number	Qty.	Description
1	PD020060		10 X 1/2 (5/16)HEX WSHER HD.(T)A
2	PD020232		NO.8 X 3/4 PH PAN HEAD TEK SCREW (BLACK OXIDE)
3	PB060105		27 OVEN RACK
4	G91013597		27 BAFFLE ASSEMBLY
5	PB060103		RACK SUPPORT RH
6	PB060104		RACK SUPPORT LH
7	PJ010047		CONVECTION ELEMENT
8	G32014020		CONVECTION FAN ASSY
9	PE050056		OVEN LIGHT ASSY 12V/5W (BEFORE SERIAL NO. C-0396)
	PE050238		120 VOLT SIDE HALOGEN LIGHT (AFTER SERIAL NO. C-0396)
10	PD020055		NO.10 X 1/2 PAN PHIL. TEK. SS
11	PD020013		TYPE AB NO.6 X 3/8 PH PAN HD. SMS
12	PB060106		27 SLIDING OVEN RACK
13	PB070312		CONVECTION MOTOR MTG. PLATE INSULATION



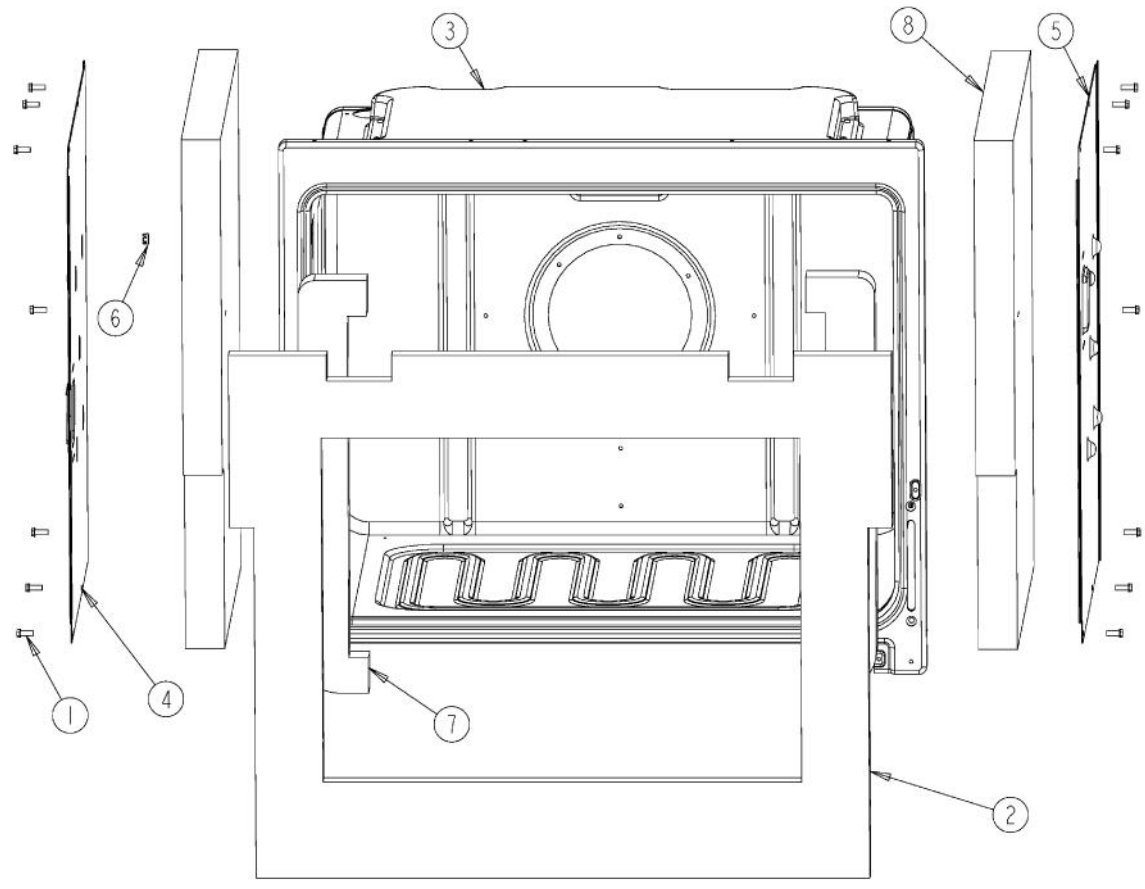
Ref #	Part Number	Qty.	Description
1	PD020060		10 X 1/2 (5/16)HEX WSHER HD.(T)A
2	PD020002		10 X 1/2 PH.TR.HD.SMS.
3	PD020014		10X3/4 PH TR HD SMS
4	PB070276		27 DOOR INSULATION
5	G91014042		27 PREMIERE CAVITY ASSY
6	A20012650		BRKT, TOP WRAPPER LEFT
7	A2009622		BRKT, TOP WRAPPER, RIGHT
8	PB070271		DOOR PLUG INSULATION
9	PB070302		SIDE INSULATION
10	PE040284		DES. DOUBLE SIDE TRIM LH
11	PE040283		DES. DOUBLE SIDE TRIM RH



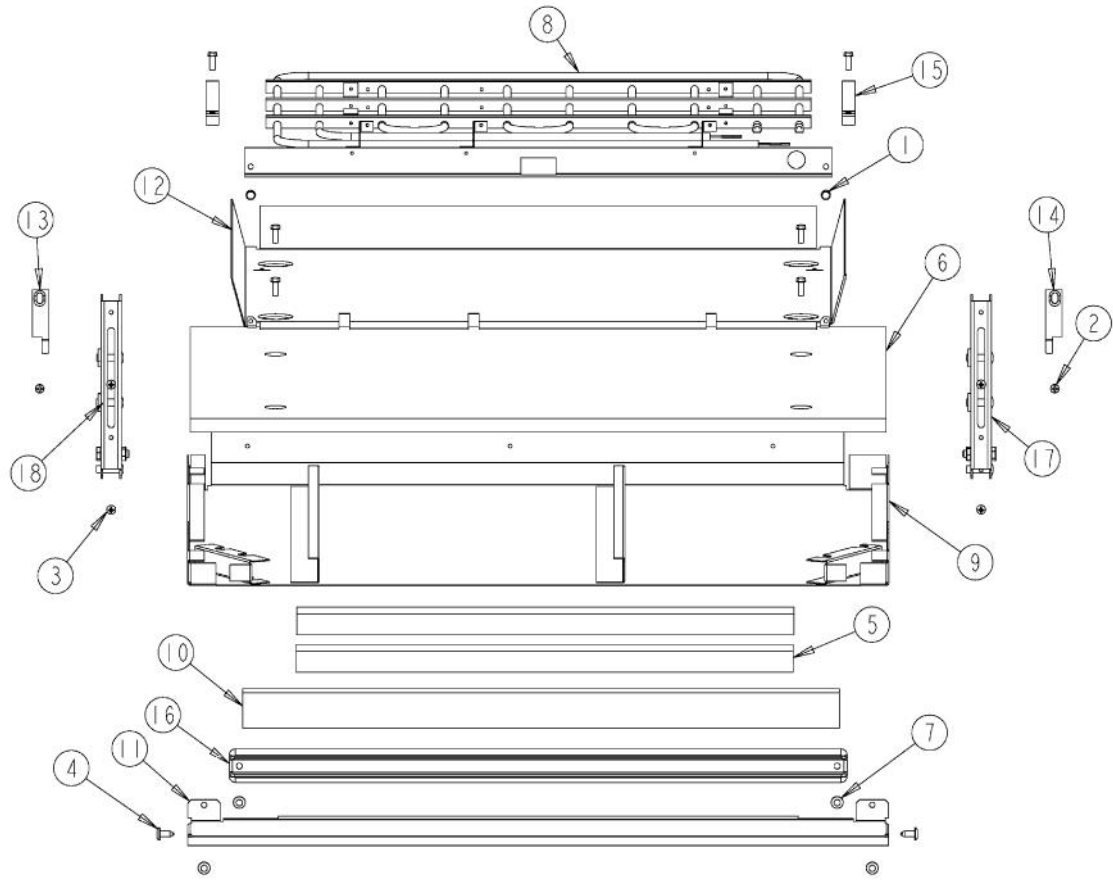
Ref #	Part Number	Qty.	Description
1	PD020060		10 X 1/2 (5/16)HEX WSHR HD.(T)A
2	PD020061		NO.8 X 3/4 FLAT HD TEK. SS.
3	PD020062		NO.8-32 X 3/8 PHMS TYPE 1
4	PB070273		27 WINDOW PACK INSULATION
5	PB070300		27 BOTTOM INSULATION
6	PD020063		SCREW-NO.8(A) X 3/8PH WFR HD/BK OXID
7	PJ010048		BAKE ELEMENT
8	PB070309		BAKE ELEMENT INSULATION
9	A20010932		ELEMENT, MTG TRAY
10	B21010916		HINGE CLIP ? LH
11	B21010915		HINGE CLIP ? RH
12	A2009696		HOLDER, BAKE ELEMENT
13	E9109655		BAKE TRAY COVER
14	PC020221		HINGE POCKET RECEIVER MANSFIELD RH
15	PC020247		HINGE POCKET RECEIVER MANSFIELD LH



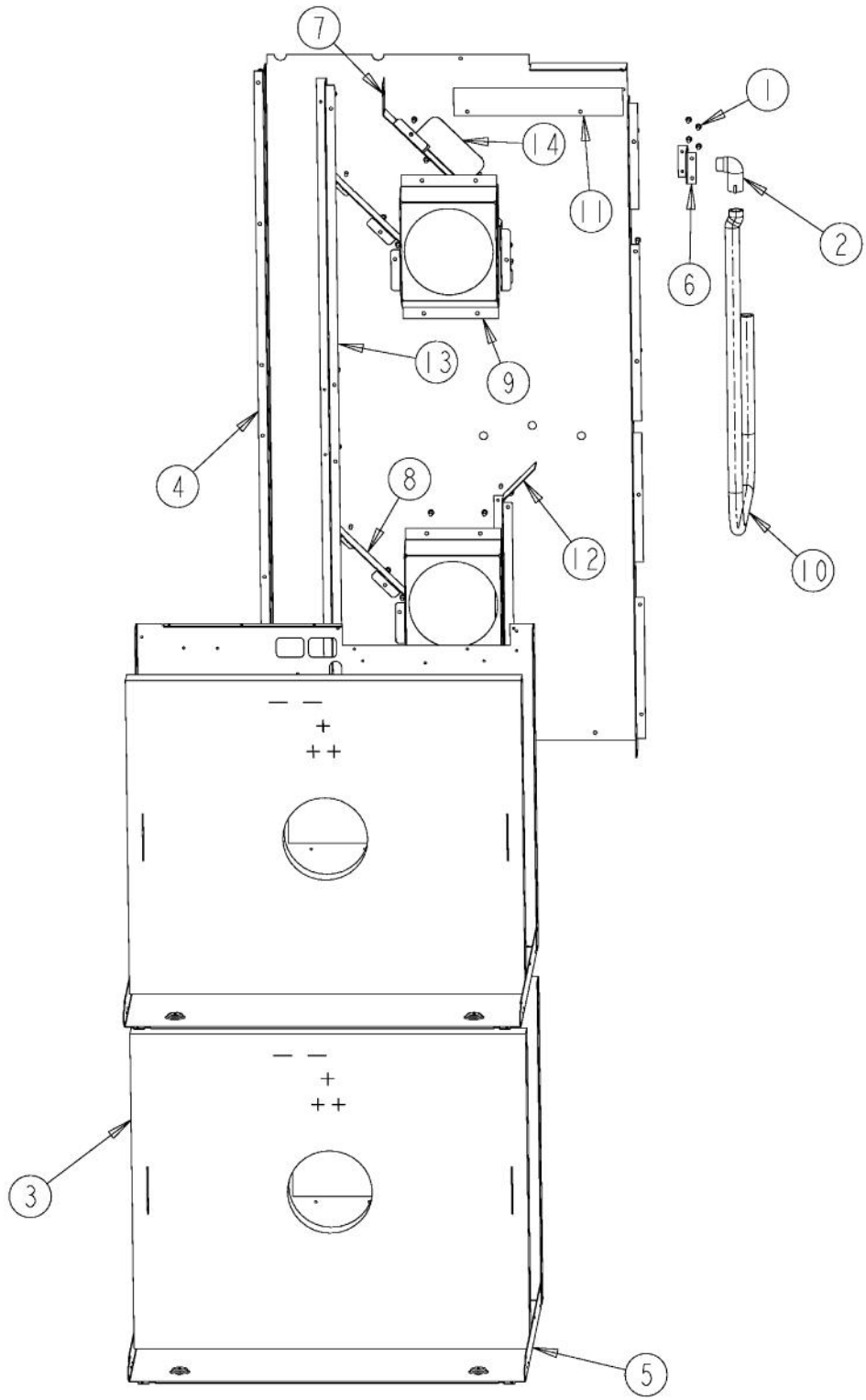
Ref #	Part Number	Qty.	Description
1	PE050208		DOOR SWITCH
2	PD020060		10 X 1/2 (5/16)HEX WSHR HD.(T)A
3	PD020004		10X3/8PH.HD.TYPE 25 REPL PD040125
4	PE050228		PREMIUM BLOWER
5	PD020063		SCREW-NO.8(A) X 3/8PH WFR HD/BK OXID
6	PJ030039		BI-METAL THERMOSTAT 275 DEGREES
7	A20014036		BOTTOM BLOWER DIVIDER
8	A2009659		BRACKET, FILLER, BLOWER
9	A20012808		CATALYST EXHAUST, MIDDLE MODULE
10	PE050210		DOOR LATCH
11	A20012649		DOOR SWITCH BRACKET
12	PD040004		GROMMET BUMPER
13	C90012803BK		INLET GRILL DBL LOWER OVEN 27
14	PB070321		LOWER LATCH INSULATION
15	A20012802		MODULE PAN 27
16	PD020013		TYPE AB NO.6 X 3/8 PH PAN HD. SMS
17	PB070079		SILICONE EXTRUSION (DGSU)
18	A1002456		THERMO-DISC BRKT (VDSC)



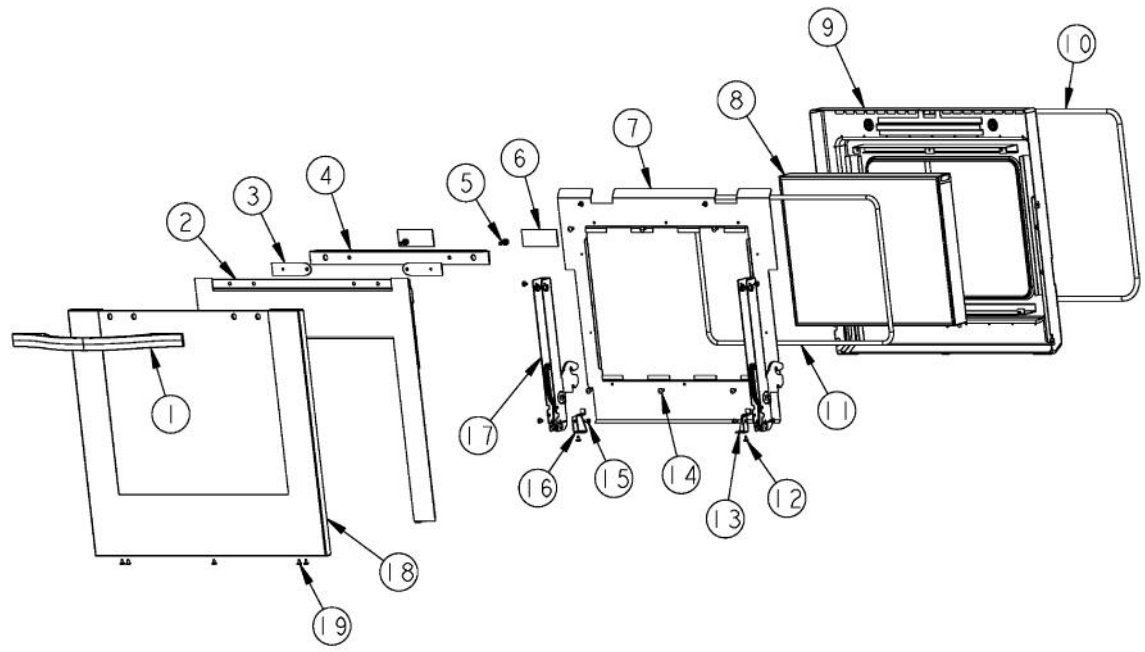
Ref #	Part Number	Qty.	Description
1	PD020060		10 X 1/2 (5/16)HEX WSHR HD.(T)A
2	PB070276		27 DOOR INSULATION
3	G91014042		27 PREMIERE CAVITY ASSY
4	A20012650		BRKT, TOP WRAPPER LEFT
5	A2009622		BRKT, TOP WRAPPER, RIGHT
6	E91014053		PORCELAIN 25/64 HOLE PLUG
7	PB070271		DOOR PLUG INSULATION
8	PB070302		SIDE INSULATION



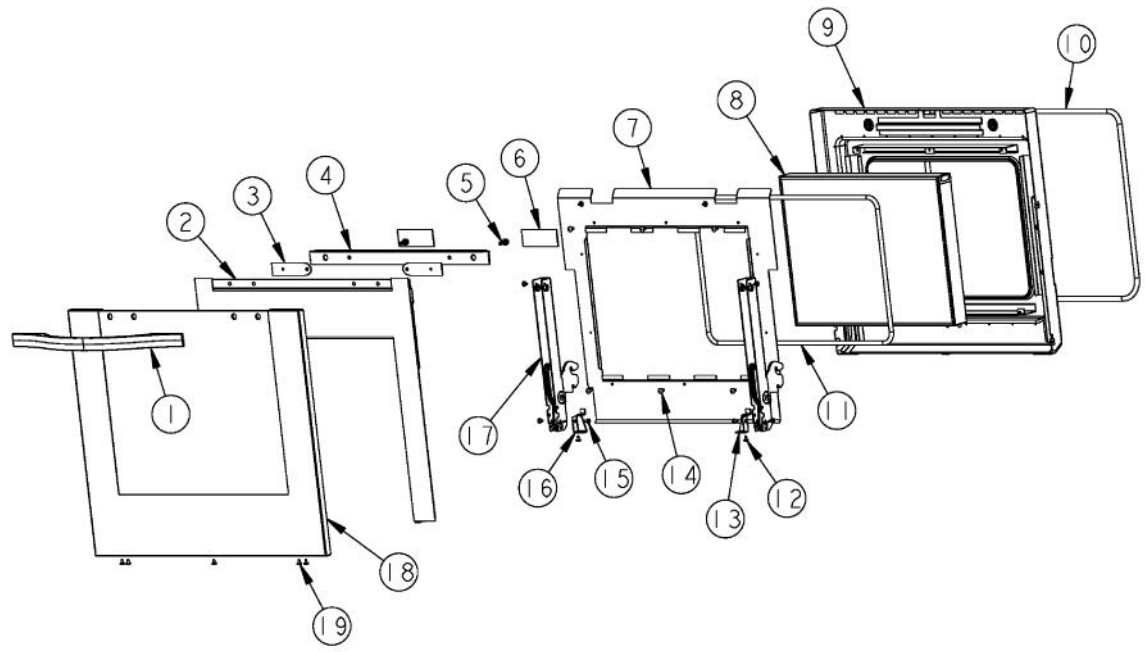
Ref #	Part Number	Qty.	Description
1	PD020060		10 X 1/2 (5/16)HEX WSHR HD.(T)A
2	PD020061		NO.8 X 3/4 FLAT HD TEK. SS.
3	PD020062		NO.8-32 X 3/8 PHMS TYPE 1
4	PD020002		10 X 1/2 PH.TR.HD.SMS.
5	PB070273		27 WINDOW PACK INSULATION
6	PB070300		27 BOTTOM INSULATION
7	PD020063		SCREW-NO.8(A) X 3/8PH WFR HD/BK OXID
8	PJ010048		BAKE ELEMENT
9	G30010922		BASE MODULE ASSY 27
10	PB070309		BAKE ELEMENT INSULATION
11	C90012822BK		BOTTOM AIR DEFLECTOR 27
12	A20010932		ELEMENT, MTG TRAY
13	B21010916		HINGE CLIP ? LH
14	B21010915		HINGE CLIP ? RH
15	A2009696		HOLDER, BAKE ELEMENT
16	E9109655		BAKE TRAY COVER
17	PC020221		HINGE POCKET RECEIVER MANSFIELD RH
18	PC020247		HINGE POCKET RECEIVER MANSFIELD LH



Ref #	Part Number	Qty.	Description
1	PD020060		10 X 1/2 (5/16)HEX WSHER HD.(T)A
2	PB040070		CONDUIT FITTING (90 DEG)
3	PB070301		27 BACK INSULATION
4	A20012807		PANEL, REAR
5	A20010931		BASE, BACK WRAPPER, 27
6	A2009671		BRACKET, POWER CABLE
7	A21010918		BRACKET, AIR, CONVECTION MOTOR
8	A21010919		BRACKET, AIR, CONVECTION MOTOR
9	A2009697		BRACKET, CONVECTION INSULATION
10	PB020071		CONDUIT - FLEXIBLE (48)
11	A10010907		COVER, BLOWER
12	A20012809		REAR AIR DIVIDER, DBL, LOWER OVEN
13	A2009684		REAR AIR DIVIDER, DOUBLE OVEN
14	A20014052		WIRE SHIELD

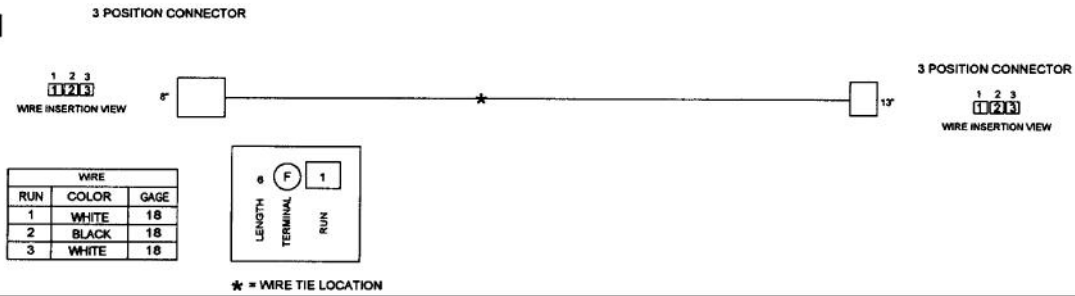


Ref #	Part Number	Qty.	Description
1	PE030167 PE030167PVD		30 DOOR HANDLE 30 DOOR HANDLE PVD
2	001498-000		DESIGNER 27`` INSULATION RETAINER KIT
3	PC050002		DESIGNER DOOR HANDLE SPACER
4	PE040285		DESIGNER DOOR TRIM
5	PD020186		1/4-20 X 3/4 HEX WASHER HEAD MS
6	PB070336		DOOR BRACKET INSULATION
7	A20010949		PANEL, INSULATION, INNNER DOOR
8	PE060093		27 WINDOW PACK
9	G91010942		DOOR LINER ASSEMBLY
10	PB070245		27 DOOR GASKET
11	000594-000		BLACK FIBERGLASS ROPE 3/8
12	PD020063		SCREW-NO.8(A) X 3/8PH WFR HD/BK OXID
13	A20012640		HINGE SUPPORT RH
14	PD020002		10 X 1/2 PH.TR.HD.SMS.
15	PD020004		10X3/8PH.HD.TYPE 25 REPL PD040125
16	A20012641		HINGE SUPPORT LH
17	023796-000	2	HINGE, MANSFIELD, PURPLE
18	001453-002		27 IN DES. DOOR SKIN KIT W/LOGO - BK
	001453-003		27 IN DES. DOOR SKIN KIT W/LOGO - BT
	001453-005		27 IN DES. DOOR SKIN KIT W/LOGO - GG
	001453-004		27 IN DES. DOOR SKIN KIT W/LOGO - SG
	001453-000		27 IN DES. DOOR SKIN KIT W/LOGO - SS
	001453-006		27 IN DES. DOOR SKIN KIT W/LOGO - WH
19	PD020032		SRW-8(A)X3/8PH.WFR HD 7/16DIAXNICL
NI	G32012811BK		27 DOOR ASSY W/LOGO XBKX
	G32012811BKBR		27 DOOR ASSY W/LOGO XBKBRX
	G32012811BT		27 DOOR ASSY W/LOGO XBTX
	G32012811BTBR		27 DOOR ASSY W/LOGO XBTBRX
	G32012811GG		27 DOOR ASSY W/LOGO XGGX
	G32012811GGBR		27 DOOR ASSY W/LOGO XGGBRX
	G32012811SG		27 DOOR ASSY W/LOGO XSGX
	G32012811SGBR		27 DOOR ASSY W/LOGO XSGBRX
	G32012811SS		27 DOOR ASSY W/LOGO
	G32012811SSBR		27 DOOR ASSY W/LOGO XSSBRX
	G32012811WH		27 DOOR ASSY W/LOGO XWHX
	G32012811WHBR		27 DOOR ASSY W/LOGO XWHBRX
NI	017736-000	1	WINDOW PACK INSULATION KIT

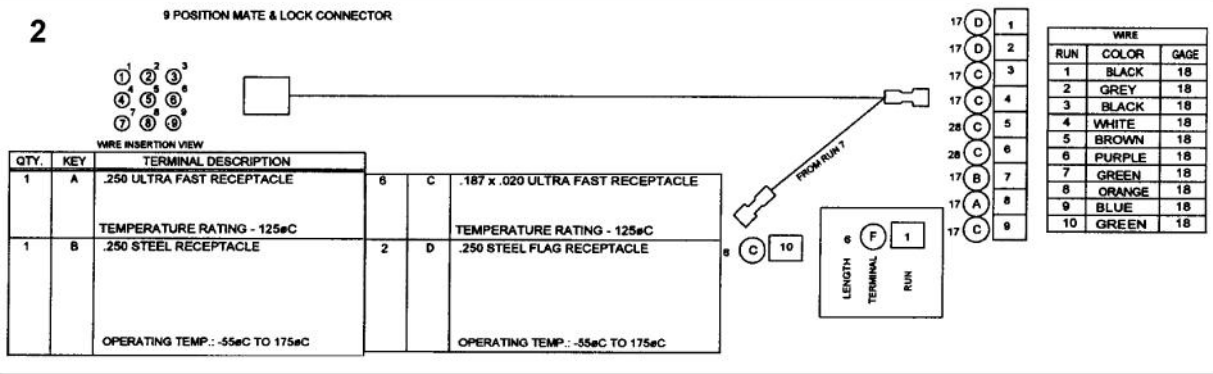


Ref #	Part Number	Qty.	Description
1	PE030167 PE030167PVD		30 DOOR HANDLE 30 DOOR HANDLE PVD
2	001498-000		DESIGNER 27`` INSULATION RETAINER KIT
3	PC050002		DESIGNER DOOR HANDLE SPACER
4	PE040285		DESIGNER DOOR TRIM
5	PD020186		1/4-20 X 3/4 HEX WASHER HEAD MS
6	PB070336		DOOR BRACKET INSULATION
7	A20010949		PANEL, INSULATION, INNNER DOOR
8	PE060093		27 WINDOW PACK
9	G91010942		DOOR LINER ASSEMBLY
10	PB070245		27 DOOR GASKET
11	000594-000		BLACK FIBERGLASS ROPE 3/8
12	PD020063		SCREW-NO.8(A) X 3/8PH WFR HD/BK OXID
13	A20012640		HINGE SUPPORT RH
14	PD020002		10 X 1/2 PH.TR.HD.SMS.
15	PD020004		10X3/8PH.HD.TYPE 25 REPL PD040125
16	A20012641		HINGE SUPPORT LH
17	023796-000	2	HINGE, MANSFIELD, PURPLE
18	001454-002		27 IN DES DOOR SKIN KIT W/O LOGO - BK
	001454-003		27 IN DES. DOOR SKIN KIT W/O LOGO - BT
	001454-005		27 IN DES. DOOR SKIN KIT W/O LOGO - GG
	001454-004		27 IN DES DOOR SKIN KIT W/O LOGO - SG
	001454-000		27 IN DES. DOOR SKIN KIT W/O LOGO - SS
	001454-006		27 IN DES. DOOR SKIN KIT W/O LOGO - WH
19	PD020032		SRW-8(A)X3/8PH.WFR HD 7/16DIAXNICL
NI	G32014007BK		27 DOOR ASSY W/O LOGO XBKX
	G32014007BKBR		27 DOOR ASSY W/O LOGO XBKBRX
	G32014007BT		27 DOOR ASSY W/O LOGO XBTX
	G32014007BTBR		27 DOOR ASSY W/O LOGO XBTBRX
	G32014007GG		27 DOOR ASSY W/O LOGO XGGX
	G32014007GGBR		27 DOOR ASSY W/O LOGO XGGBRX
	G32014007SG		27 DOOR ASSY W/O LOGO XSGX
	G32014007SGBR		27 DOOR ASSY W/O LOGO XSGBRX
	G32014007SS		27 DOOR ASSY W/O LOGO
	G32014007SSBR		27 DOOR ASSY W/O LOGO XSSBRX
	G32014007WH		27 DOOR ASSY W/O LOGO XWHX
	G32014007WHBR		27 DOOR ASSY W/O LOGO XWHBRX
NI	017736-000	1	WINDOW PACK INSULATION KIT

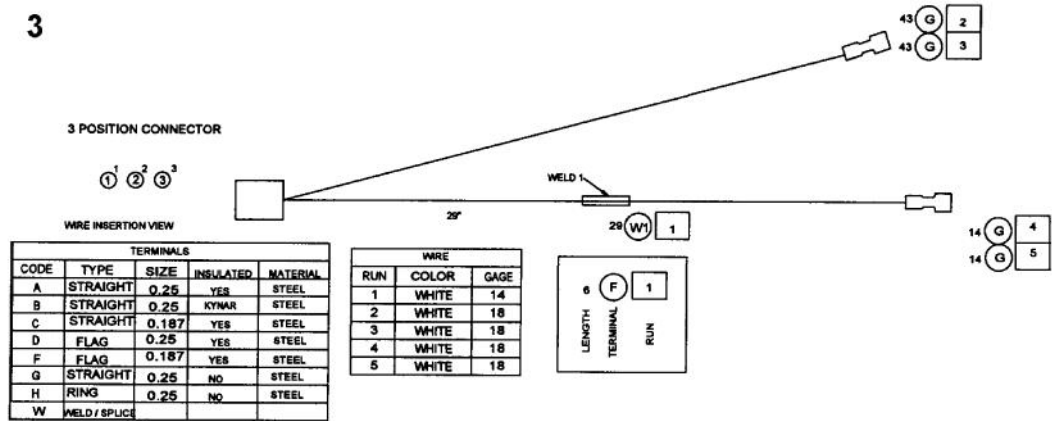
1



2

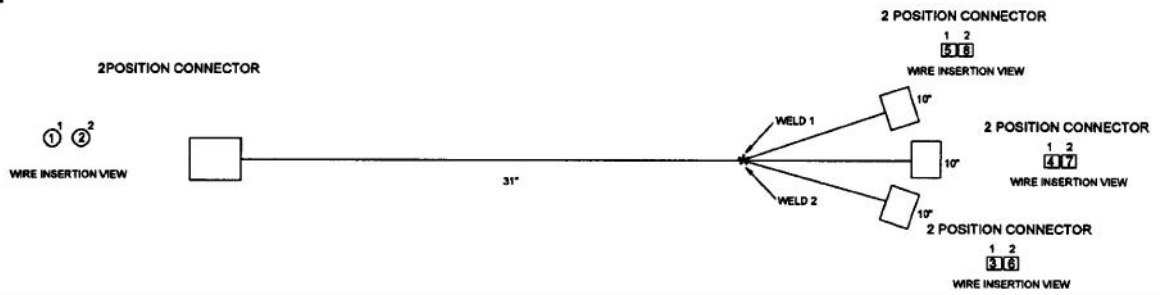


3

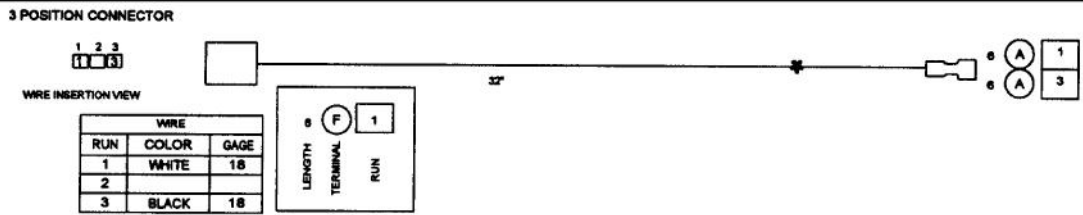


Ref #	Part Number	Qty.	Description
1	PE070738		T/STAT-SEL HARNESS
	PE070733		UPPER LATCH HARNESS
	PE070739		BAKE ELEMENT HARNESS
NI	G4005496		SUPPLY WIRE - 100 BK 10GA SO/DO
NI	G4005497		SUPPLY WIRE - 100 GREEN 10GA SO/DO
NI	G4005499		SUPPLY WIRE - 100 RED 10GA SO/DO
NI	G4005494		SUPPLY WIRE - 75 WH 12 GA SO/DO

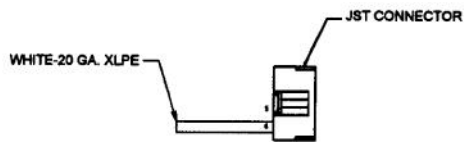
1



2

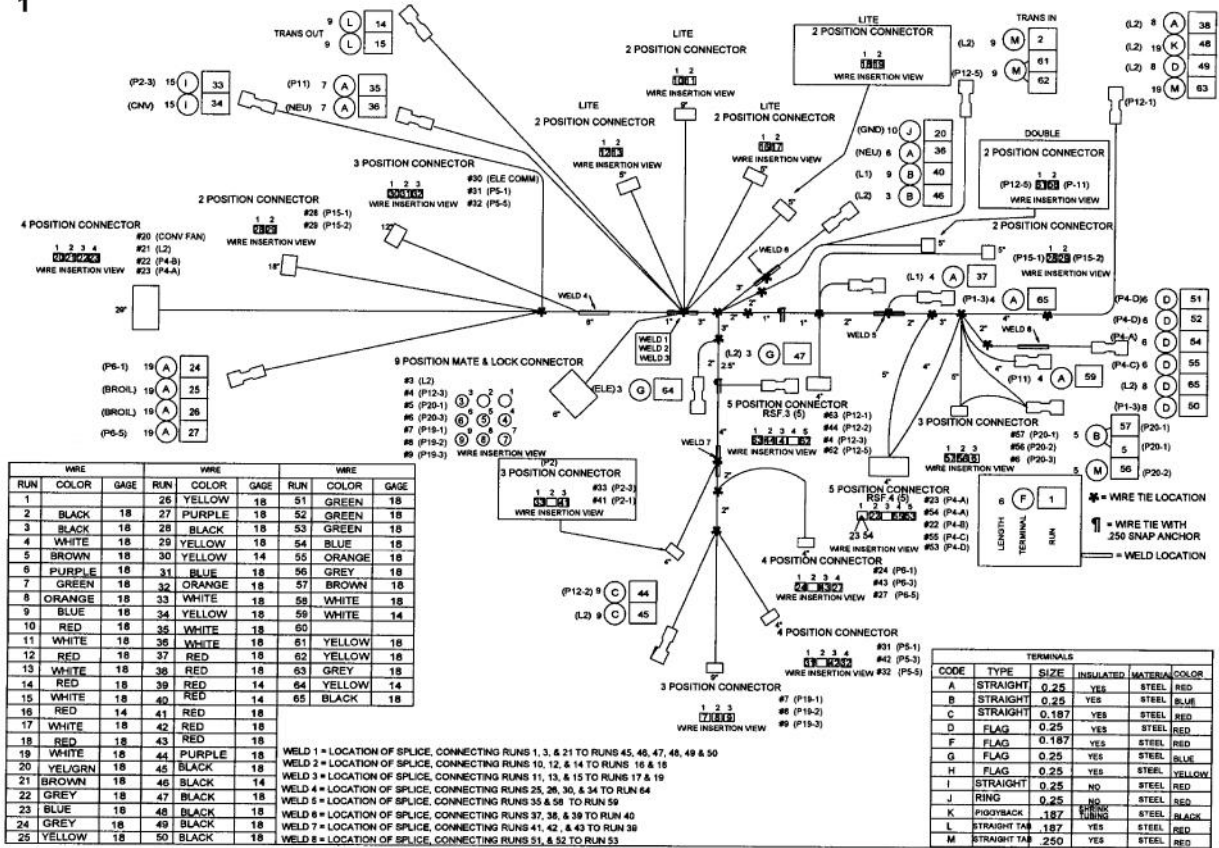


3



Ref #	Part Number	Qty.	Description
1	PE070741		LOWER LIGHT HARNESS
2	PE070735		MEAT PROBE HARNESS
3	PE070795		10 POSITION 27 L.O.

1

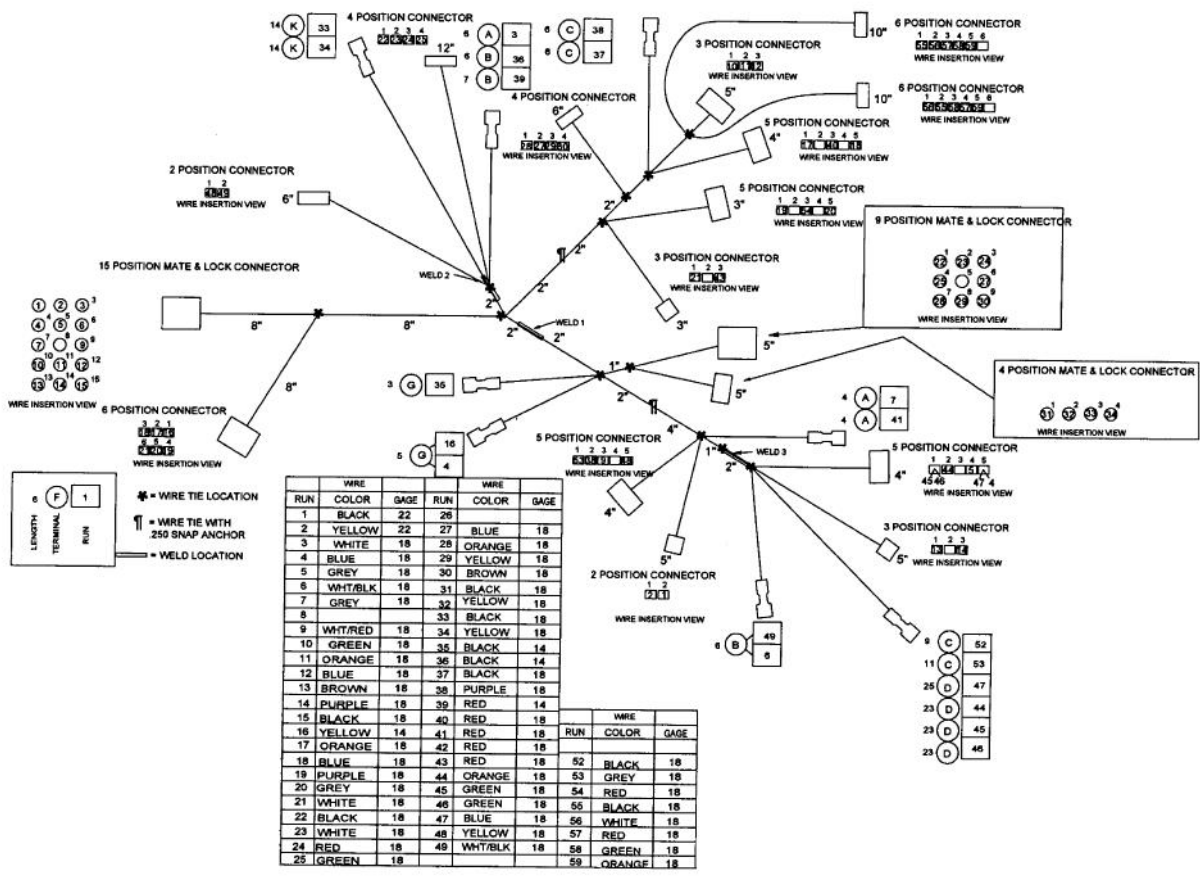


WIRE	WIRE	WIRE	WIRE	WIRE	WIRE	WIRE	WIRE	
RUN	COLOR	GAGE	RUN	COLOR	GAGE	RUN	COLOR	GAGE
1			25	YELLOW	18	51	GREEN	18
2	BLACK	18	27	PURPLE	18	52	GREEN	18
3	BLACK	18	28	BLACK	18	53	GREEN	18
4	WHITE	18	29	YELLOW	18	54	BLUE	18
5	BROWN	18	30	YELLOW	14	55	ORANGE	18
6	PURPLE	18	31	BLUE	18	56	GREY	18
7	PURPLE	18	32	ORANGE	18	57	BROWN	18
8	ORANGE	18	33	WHITE	18	58	WHITE	18
9	BLUE	18	34	YELLOW	18	59	WHITE	14
10	RED	18	36	WHITE	18	60		
11	WHITE	18	38	WHITE	18	61	YELLOW	18
12	RED	18	37	RED	18	62	YELLOW	18
13	WHITE	18	38	RED	18	63	GREY	18
14	RED	18	39	RED	14	64	YELLOW	14
15	WHITE	18	40	RED	14	65	BLACK	18
16	RED	14	41	RED	18			
17	WHITE	18	42	RED	18			
18	RED	18	43	RED	18			
19	WHITE	18	44	PURPLE	18			
20	YELLOW	18	45	BLACK	18			
21	BROWN	18	46	BLACK	14			
22	GREY	18	47	BLACK	18			
23	BLUE	18	48	BLACK	18			
24	GREY	18	49	BLACK	18			
25	YELLOW	18	50	BLACK	18			

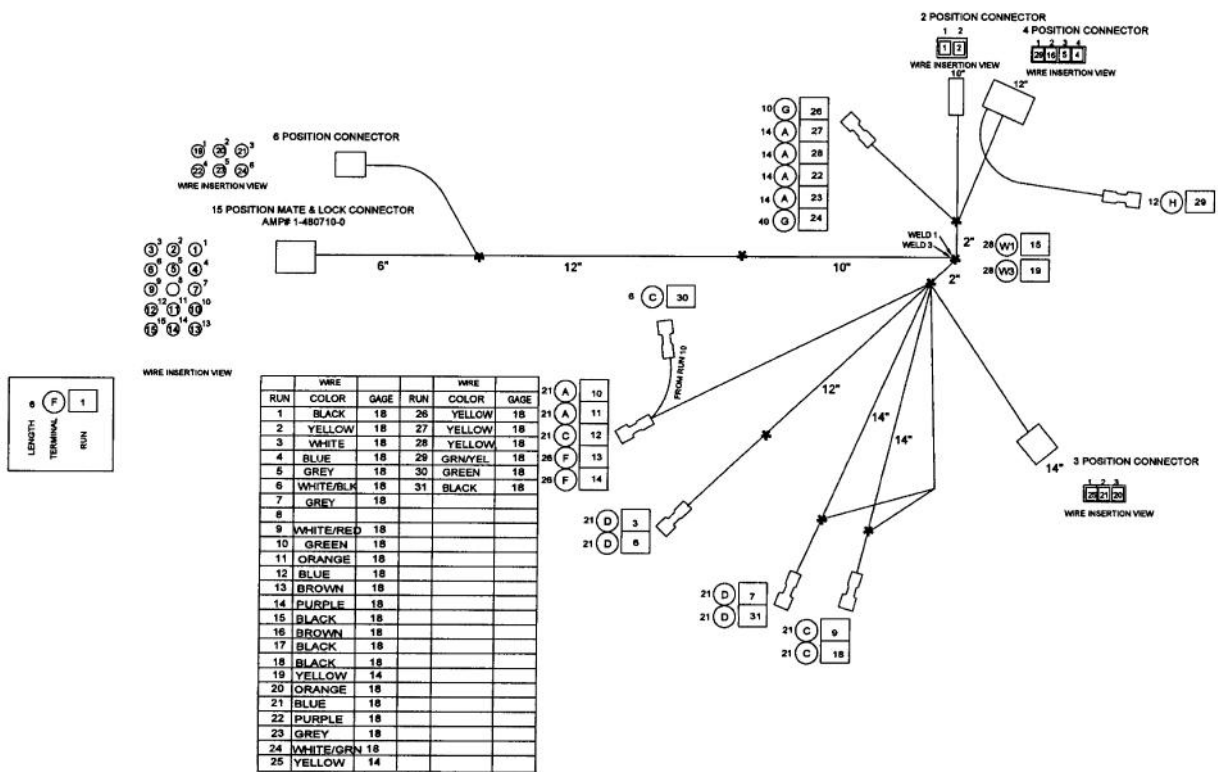
WELD 1 = LOCATION OF SPLICE, CONNECTING RUNS 1, 3, & 21 TO RUNS 45, 46, 47, 48, 49 & 50
 WELD 2 = LOCATION OF SPLICE, CONNECTING RUNS 11, 13, & 14 TO RUNS 16 & 18
 WELD 3 = LOCATION OF SPLICE, CONNECTING RUNS 25, 26, 30, & 34 TO RUN 64
 WELD 4 = LOCATION OF SPLICE, CONNECTING RUNS 35 & 58 TO RUN 59
 WELD 5 = LOCATION OF SPLICE, CONNECTING RUNS 37, 38, & 39 TO RUN 40
 WELD 6 = LOCATION OF SPLICE, CONNECTING RUNS 41, 42, & 43 TO RUN 38
 WELD 7 = LOCATION OF SPLICE, CONNECTING RUNS 51, & 52 TO RUN 53

CODE	TYPE	SIZE	INSULATED	MATERIAL	COLOR
A	STRAIGHT	0.25	YES	STEEL	RED
B	STRAIGHT	0.25	YES	STEEL	BLUE
C	STRAIGHT	0.187	YES	STEEL	RED
D	FLAG	0.25	YES	STEEL	RED
F	FLAG	0.187	YES	STEEL	RED
G	FLAG	0.25	YES	STEEL	BLUE
H	FLAG	0.25	YES	STEEL	YELLOW
I	STRAIGHT	0.25	NO	STEEL	RED
J	RING	0.25	NO	STEEL	RED
K	PIGGYBACK	0.187	NO	STEEL	BLACK
L	STRAIGHT TAB	0.187	YES	STEEL	RED
M	STRAIGHT TAB	0.250	YES	STEEL	RED

Ref #	Part Number	Qty.	Description
1	PE070742		UPPER CONTROL HARNESS

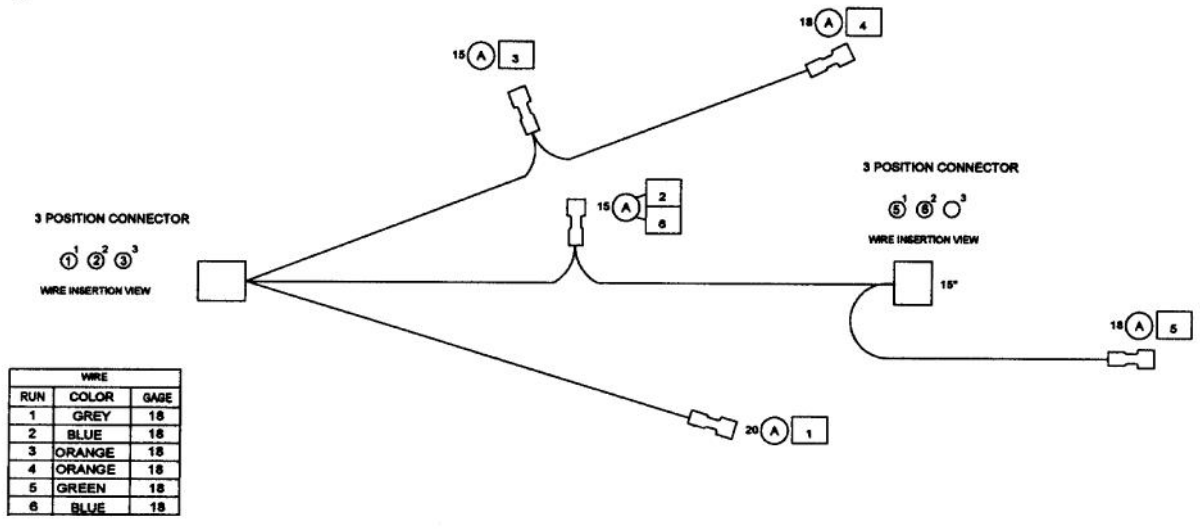


Ref #	Part Number	Qty.	Description
1	PE070736		LOWER CONTROL HARNESS



Ref #	Part Number	Qty.	Description
1	PE070740		LOWER LATCH HARNESS

1



Ref #	Part Number	Qty.	Description
1	PE070746		DOUBLE ANALOG CLOCK HARNESS