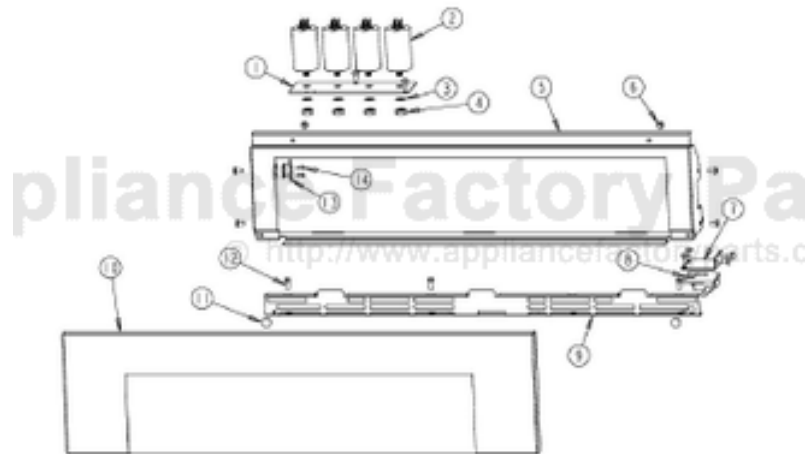


This Owner's Manual is provided and hosted by [Appliance Factory Parts](http://www.appliancefactoryparts.com).



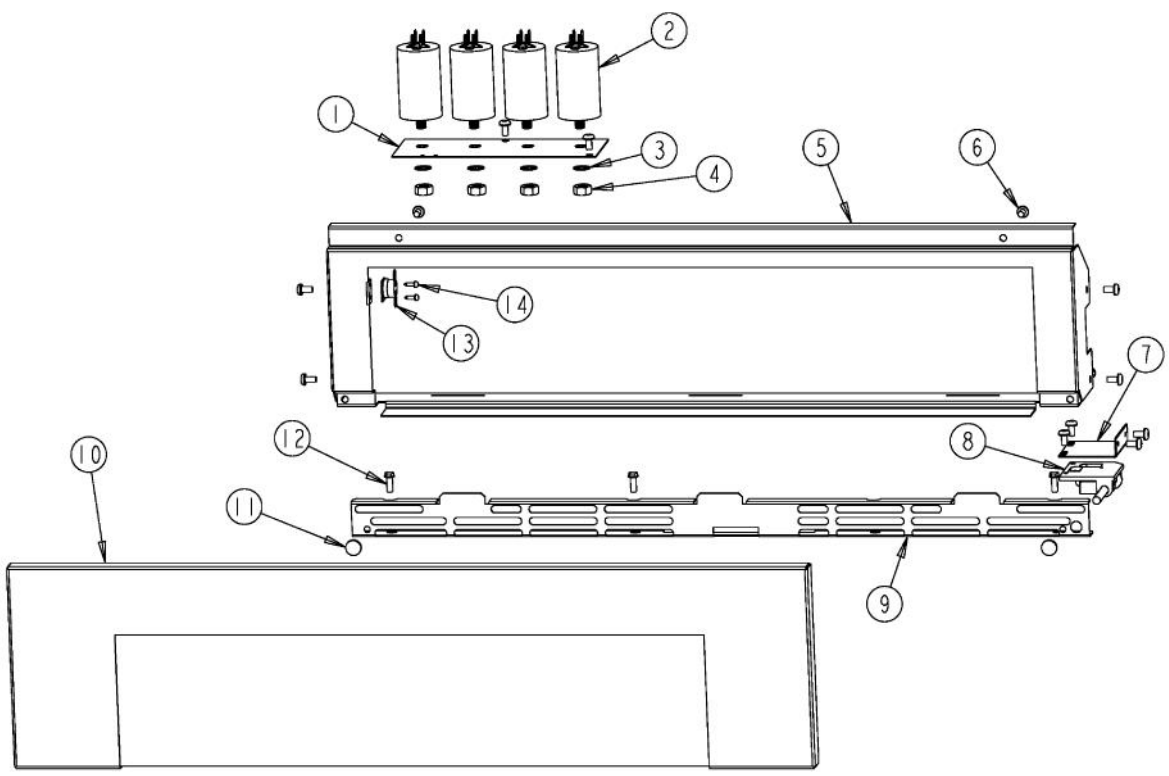
VIKING DEDO527T Owner's Manual

[Shop genuine replacement parts for VIKING DEDO527T](#)

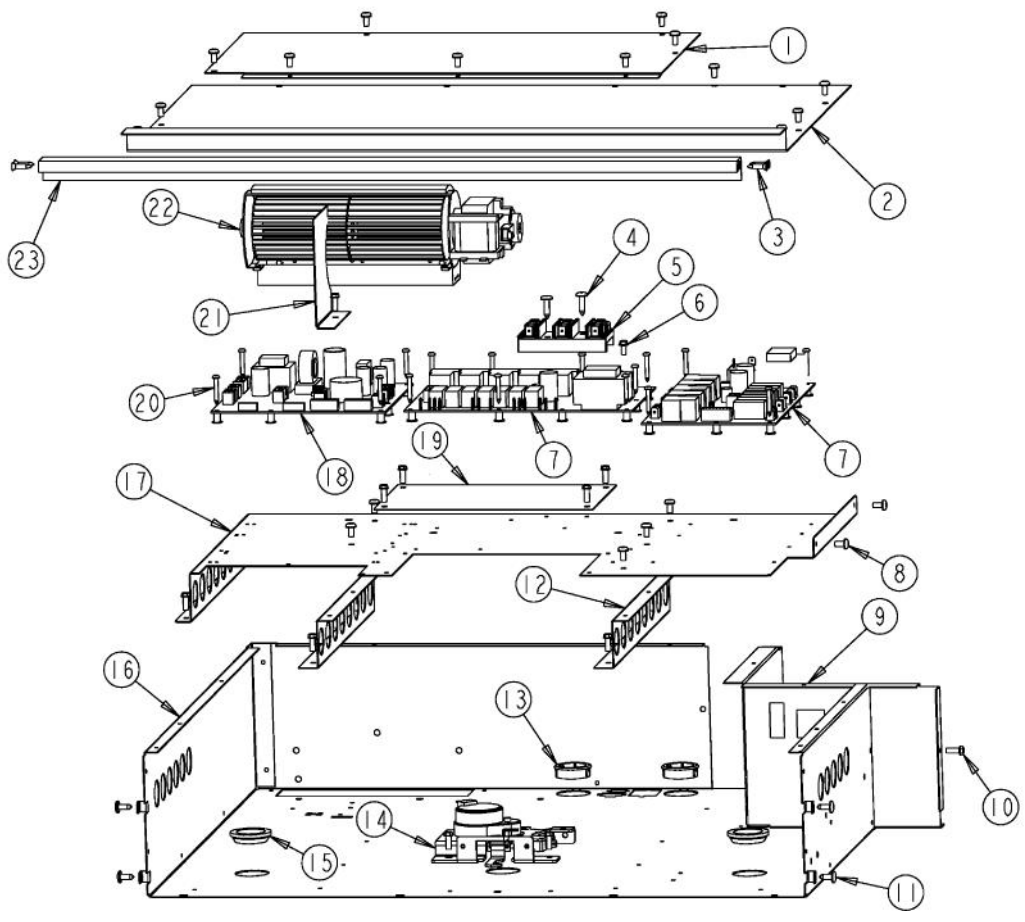


[Find Your VIKING Oven Parts - Select From 98 Models](#)

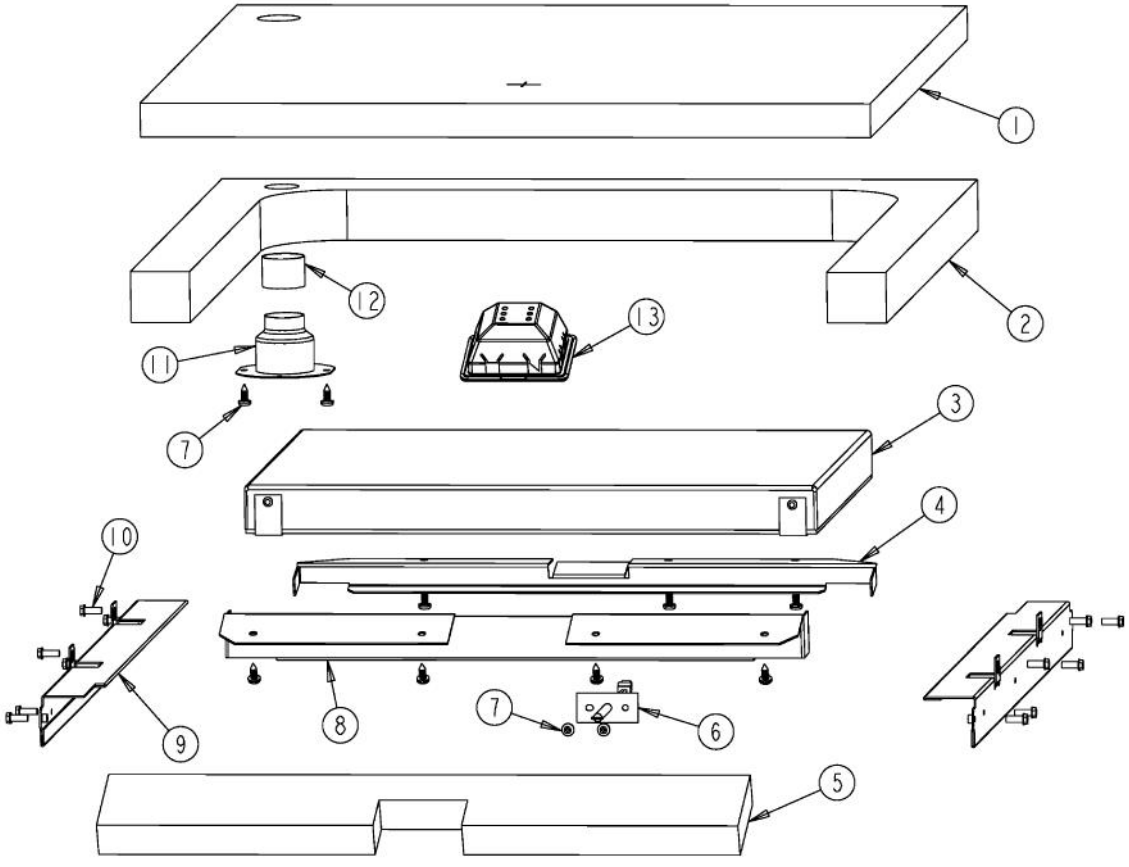
----- Manual continues below -----



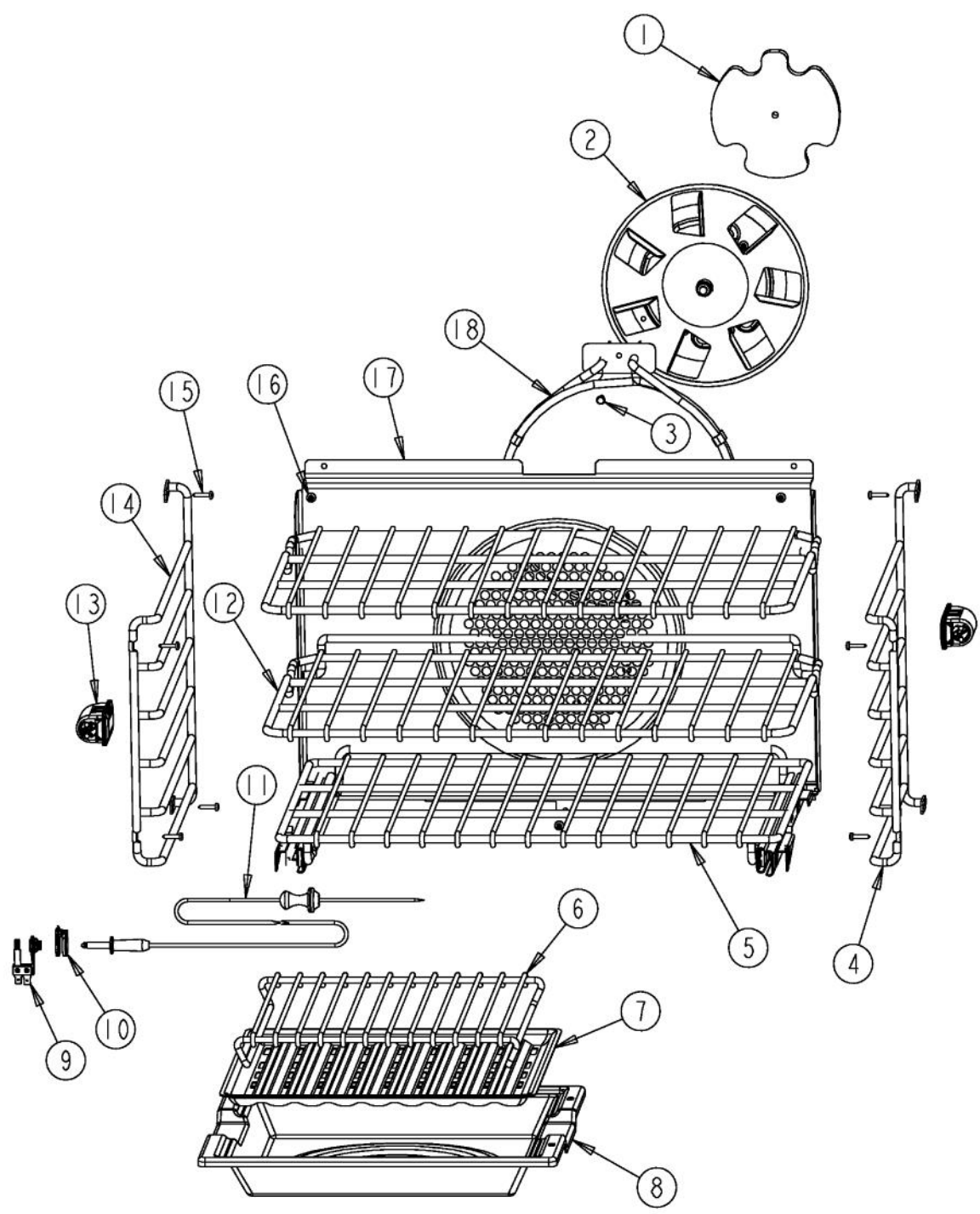
Ref #	Part Number	Qty.	Description
1	A10014027		4 CAPACITOR BRACKET
2	PE050247		EBM FAN MOTOR CAPACITOR
3	PD040164		5/16 INTERNAL TOOTH LOCK WASHER TYPE A
4	PD030172		M8 X 1.25MM NUT
5	A20014023		TOUCH CONTROL MTG. PNL. 27
6	PD020004		10X3/8PH.HD.TYPE 25 REPL PD040125
7	A20012649		DOOR SWITCH BRACKET
8	PE050208		DOOR SWITCH
9	C90014073BK		27 INLET GRILL
10	PS500025BK		27 PREMIERE TOUCH DOUBLE CONTROL PANEL ASSY - BK
10	PS500025BT		27 PREMIERE TOUCH DOUBLE CONTROL PANEL ASSY - BT
10	PS500025GG		27 PREMIERE TOUCH DOUBLE CONTROL PANEL ASSY - GG
10	PS500025SG		27 PREMIERE TOUCH DOUBLE CONTROL PANEL ASSY - SG
10	PS500025SS		27 PREMIERE TOUCH DOUBLE CONTROL PANEL ASSY - SS
10	PS500025WH		27 PREMIERE TOUCH DOUBLE CONTROL PANEL ASSY - WH
11	PD040004		GROMMET BUMPER
12	PD020060		10 X 1/2 (5/16)HEX WSHR HD.(T)A
13	PJ030043		BI-METAL THERMOSTAT (N.C.) 180 DEGREES
14	PD020013		TYPE AB NO.6 X 3/8 PH PAN HD. SMS



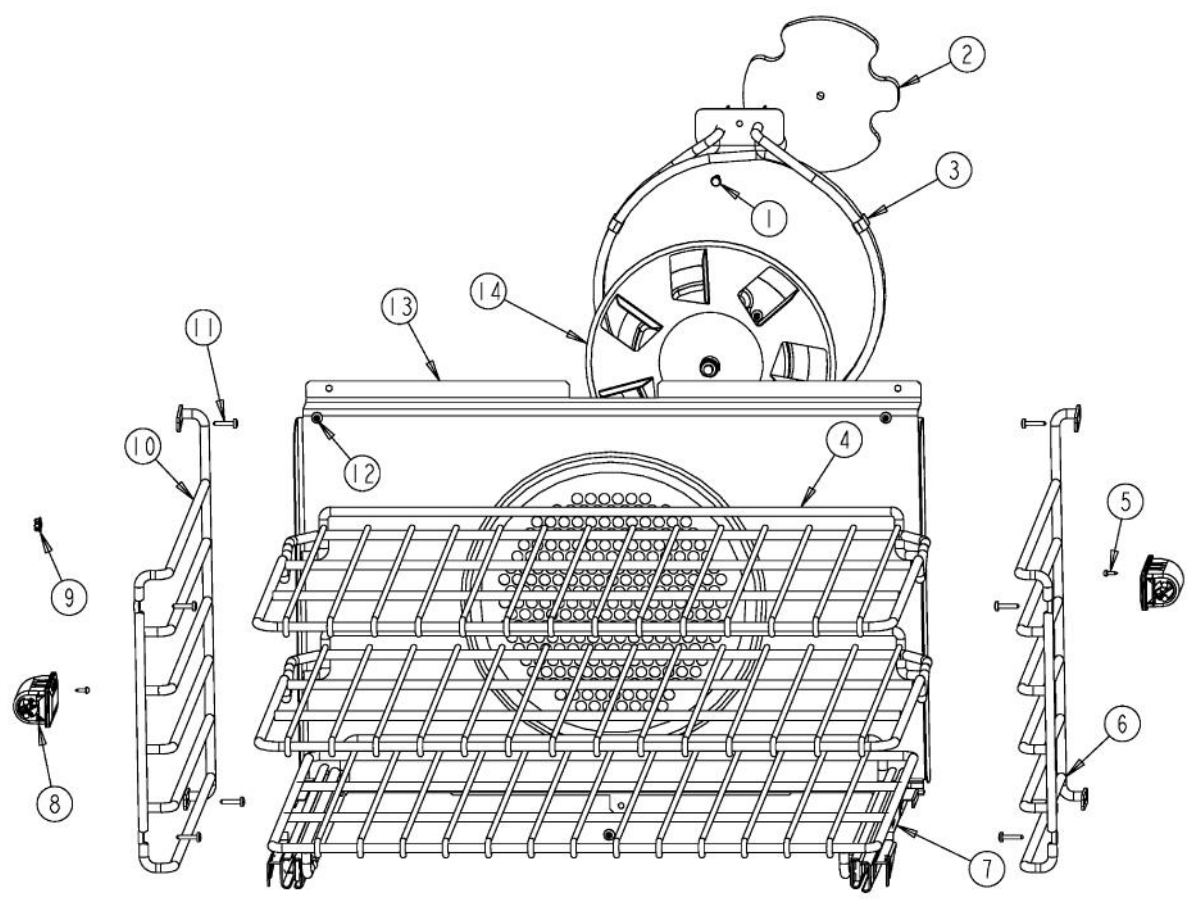
Ref #	Part Number	Qty.	Description
1	A20014047		27 REAR COVER
2	A20014046		27 FRONT COVER
3	PD020061		NO.8 X 3/4 FLAT HD TEK. SS.
4	PD020014		10X3/4 PH TR HD SMS
5	PE070147		TERMINAL BLOCK
6	PD020010		10 X 3/8 GREEN GROUNDING SCREW
7	PE050234		RELAY BOARD
8	PD020004		10X3/8PH.HD.TYPE 25 REPL PD040125
9	A20010934		BRACKET, MODULE PAN
10	PD020060		10 X 1/2 (5/16)HEX WSHR HD.(T)A
11	PD020002		10 X 1/2 PH.TR.HD.SMS.
12	A20010910		BRACKET, SUPPORT, ELECTRONICS HAT
13	PD040152		SNAP BUSHING
14	PE050210		DOOR LATCH
15	PB070079		SILICONE EXTRUSION (DGSU)
16	A20010933		MODULE PAN 27
17	A20010935		ELECTRONICS HAT
18	PE050233		CONTROL BOARD
19	A10010911		COVER, LATCH
20	PD020185		NO.6 X 1 PAN HEAD SCREW
21	A2009667		REAR AIR DIVIDER
22	PE050250		PREMIUM BLOWER WITH HES
23	PE040279		27 DES. TOP TRIM



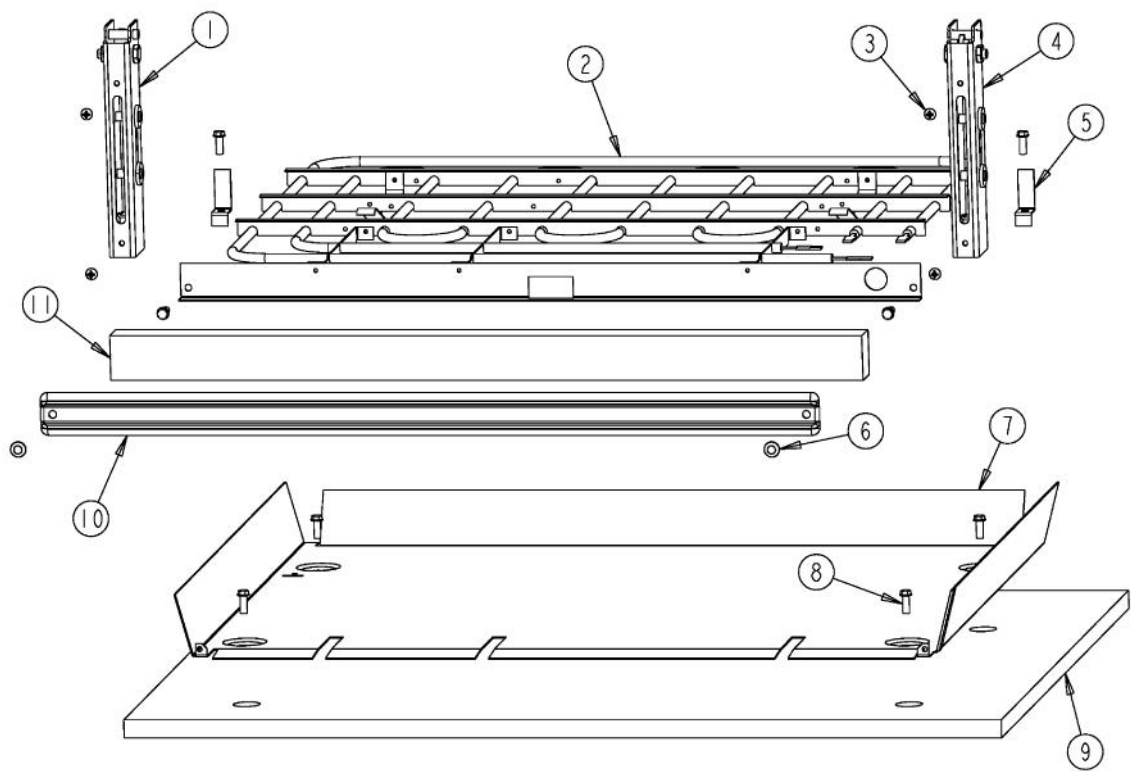
Ref #	Part Number	Qty.	Description
1	PB070307		27 TOP INSULATION
2	PB070306		27 TOP BROIL INSULATION
3	PJ010050		SEALED BROIL ELEMENT W/GLASS
4	B20014051		PREMIERE BROIL ELEMENT BRACKET REAR
5	PB070337		LINER FRONT INSULATION
6	PE050206		RTD THERMOSTAT PROBE
7	PD020055		NO.10 X 1/2 PAN PHIL. TEK. SS
8	B20014050		PREMIERE BROIL ELEMENT BRACKET FRONT
9	A2009641		BRKT, TOP WRAPPER
10	PD020060		10 X 1/2 (5/16)HEX WSHR HD.(T)A
11	PM010014		SMOKE ELIMINATOR (VDSC)
12	PB020275		VENT TUBE
13	PE050239		HALOGEN LAMP



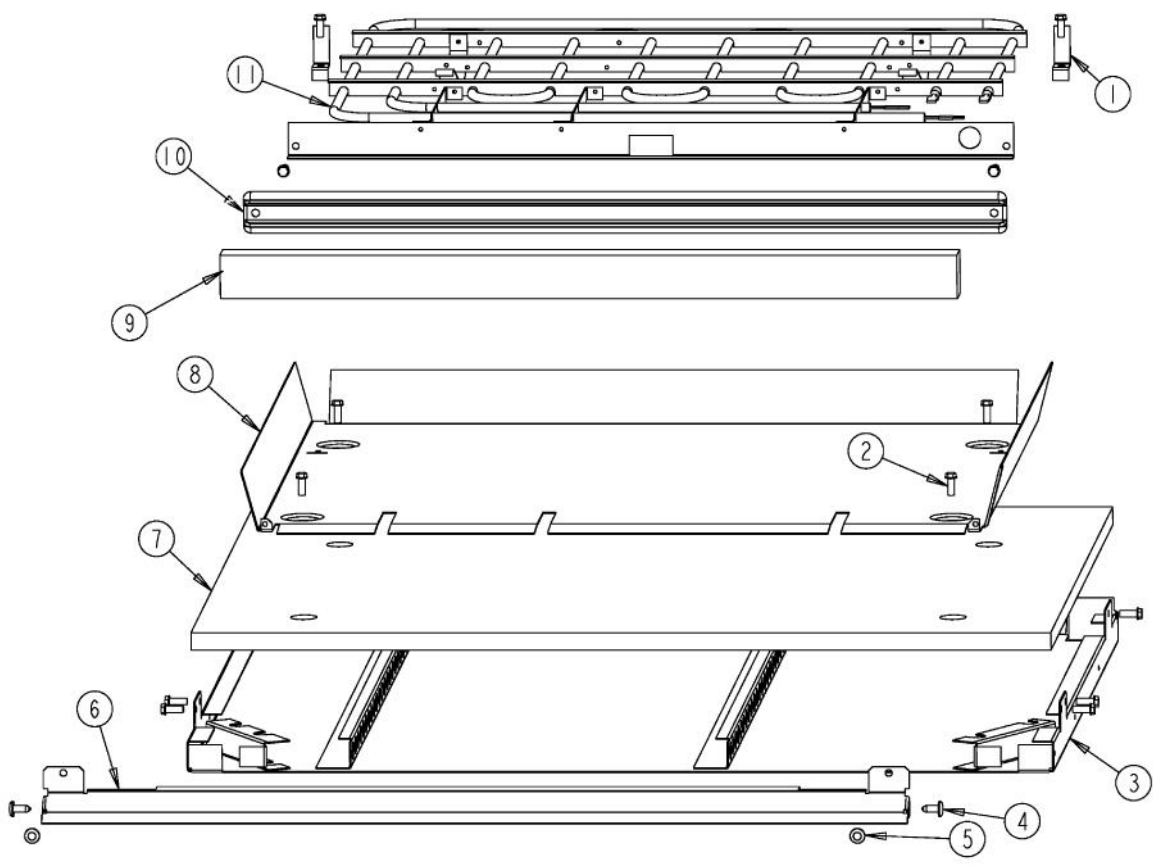
Ref #	Part Number	Qty.	Description
1	PB070312		CONVECTION MOTOR MTG. PLATE INSULATION
2	G32014020		CONVECTION FAN ASSY
3	PD020060		10 X 1/2 (5/16)HEX WSHER HD.(T)A
4	PB060103		RACK SUPPORT RH
5	PB060106		27 SLIDING OVEN RACK
6	PB080020		BROILER PAN RACK
7	E9107934		BROILER PAN INSERT
8	E9107933		BROILER PAN
9	PE050115		MEAT PROBE JACK
10	PM010160		MEAT PROBE JACK COVER
11	PE050114		MEAT PROBE (DESO/DED0) (SWITCHCRAFT'S PART NO. 4...
12	PB060105		27 OVEN RACK
13	PE050238		120 VOLT SIDE HALOGEN LIGHT
14	PB060104		RACK SUPPORT LH
15	PD020232		NO.8 X 3/4 PH PAN HEAD TEK SCREW (BLACK OXIDE)
16	PD020055		NO.10 X 1/2 PAN PHIL. TEK. SS
17	G91013597		27 BAFFLE ASSEMBLY
18	PJ010047		CONVECTION ELEMENT



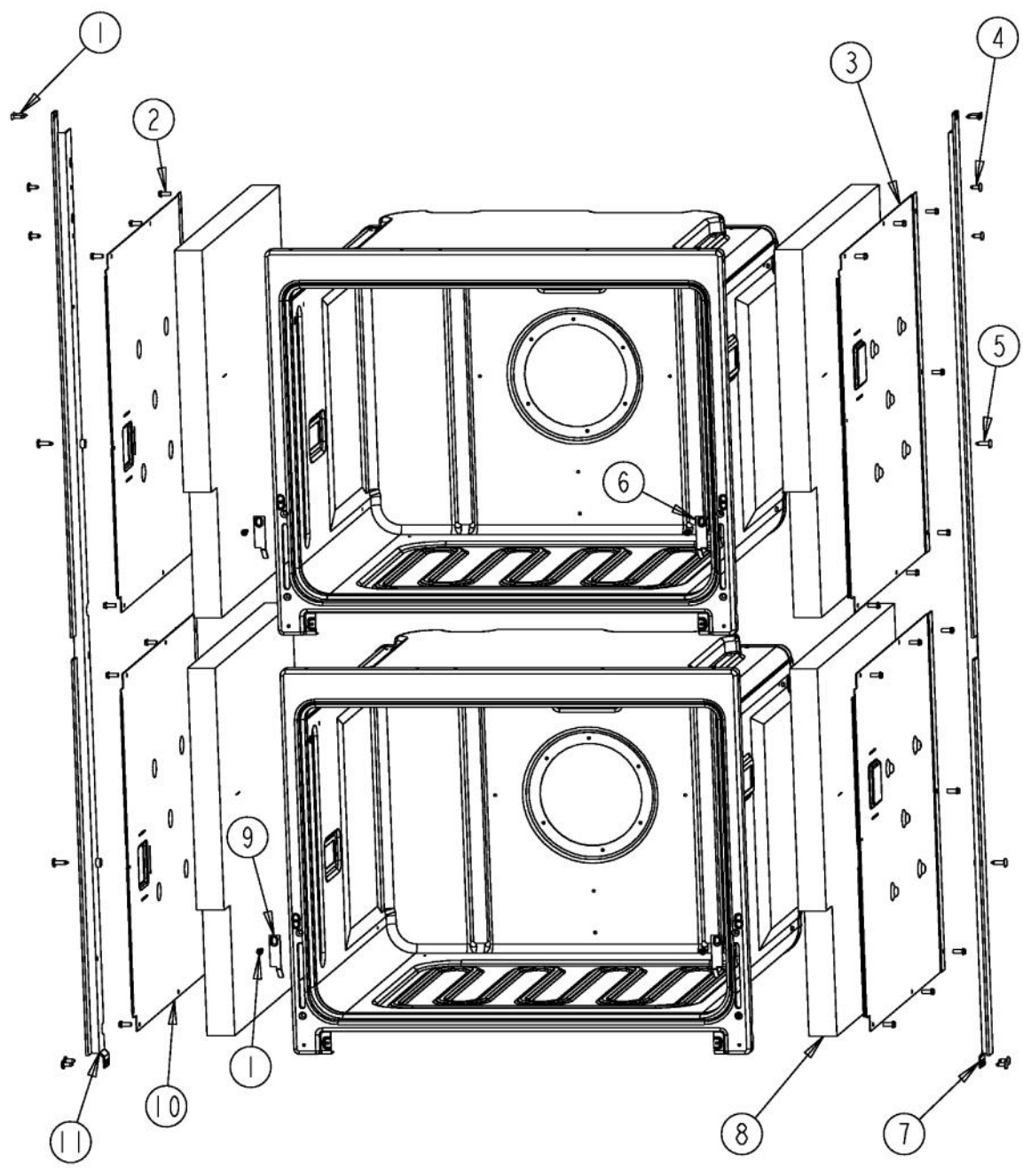
Ref #	Part Number	Qty.	Description
1	PD020060		10 X 1/2 (5/16)HEX WSHER HD.(T)A
2	PB070312		CONVECTION MOTOR MTG. PLATE INSULATION
3	PJ010047		CONVECTION ELEMENT
4	PB060105		27 OVEN RACK
5	PD020013		TYPE AB NO.6 X 3/8 PH PAN HD. SMS
6	PB060103		RACK SUPPORT RH
7	PB060106		27 SLIDING OVEN RACK
8	PE050238		120 VOLT SIDE HALOGEN LIGHT
9	E91014053		PORCELAIN 25/64 HOLE PLUG
10	PB060104		RACK SUPPORT LH
11	PD020232		NO.8 X 3/4 PH PAN HEAD TEK SCREW (BLACK OXIDE)
12	PD020055		NO.10 X 1/2 PAN PHIL. TEK. SS
13	G91013597		27 BAFFLE ASSEMBLY
14	G32014020		CONVECTION FAN ASSY



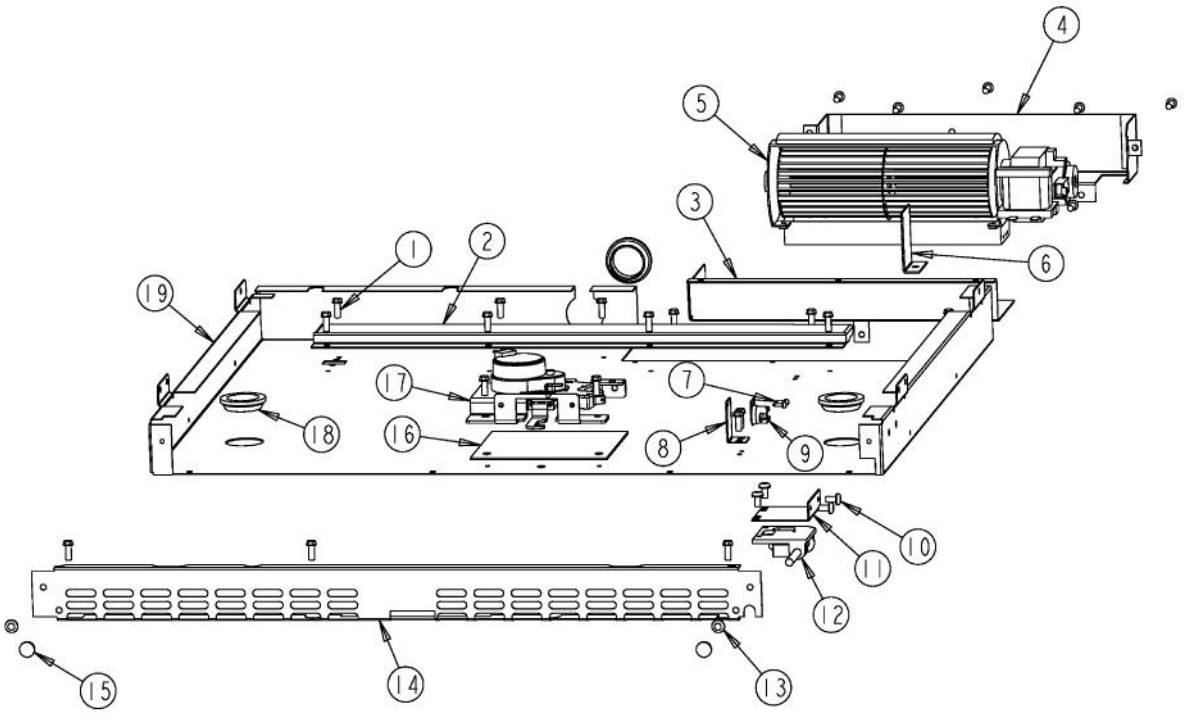
Ref #	Part Number	Qty.	Description
1	PC020247		HINGE POCKET RECEIVER MANSFIELD LH
2	PJ010048		BAKE ELEMENT
3	PD020062		NO.8-32 X 3/8 PHMS TYPE 1
4	PC020221		HINGE POCKET RECEIVER MANSFIELD RH
5	A2009696		HOLDER, BAKE ELEMENT
6	PD020063		SCREW-NO.8(A) X 3/8PH WFR HD/BK OXID
7	A20010932		ELEMENT, MTG TRAY
8	PD020060		10 X 1/2 (5/16)HEX WSHR HD.(T)A
9	PB070300		27 BOTTOM INSULATION
10	E9109655		BAKE TRAY COVER
11	PB070309		BAKE ELEMENT INSULATION



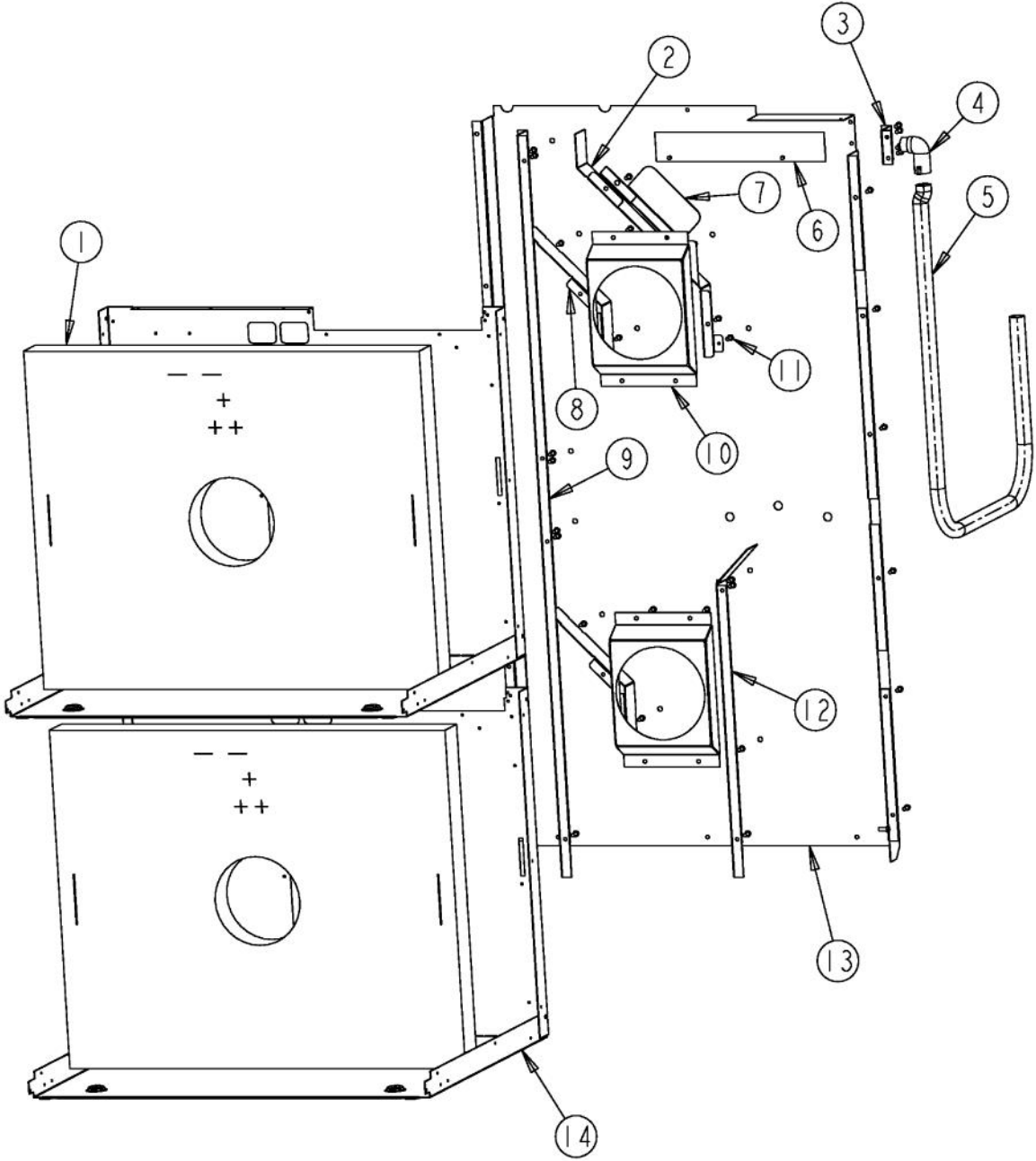
Ref #	Part Number	Qty.	Description
1	A2009696		HOLDER, BAKE ELEMENT
2	PD020060		10 X 1/2 (5/16)HEX WSHR HD.(T)A
3	G30010922		BASE MODULE ASSY 27
4	PD020002		10 X 1/2 PH.TR.HD.SMS.
5	PD020063		SCREW-NO.8(A) X 3/8PH WFR HD/BK OXID
6	C90012822BK		BOTTOM AIR DEFLECTOR 27
7	PB070300		27 BOTTOM INSULATION
8	A20010932		ELEMENT, MTG TRAY
9	PB070309		BAKE ELEMENT INSULATION
10	E9109655		BAKE TRAY COVER
11	PJ010048		BAKE ELEMENT



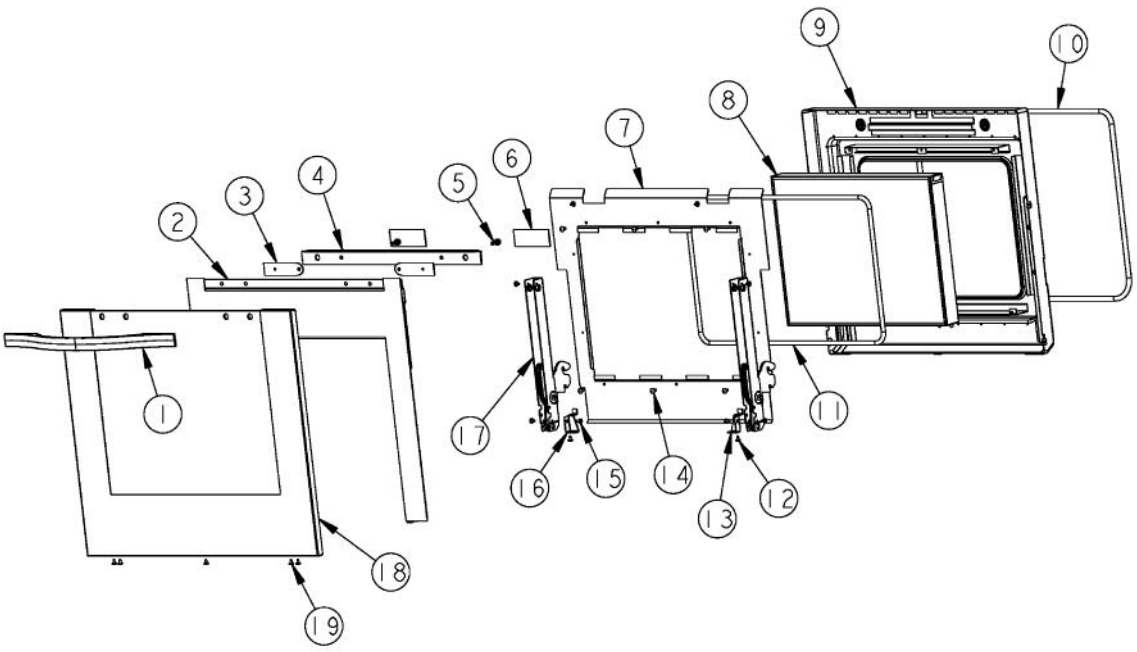
Ref #	Part Number	Qty.	Description
1	PD020061		NO.8 X 3/4 FLAT HD TEK. SS.
2	PD020060		10 X 1/2 (5/16)HEX WSHER HD.(T)A
3	A2009622		BRKT, TOP WRAPPER, RIGHT
4	PD020002		10 X 1/2 PH.TR.HD.SMS.
5	PD020014		10X3/4 PH TR HD SMS
6	B21010915		HINGE CLIP ? RH
7	PE040283		DES. DOUBLE SIDE TRIM RH
8	PB070302		SIDE INSULATION
9	B21010916		HINGE CLIP ? LH
10	A20012650		BRKT, TOP WRAPPER LEFT
11	PE040284		DES. DOUBLE SIDE TRIM LH



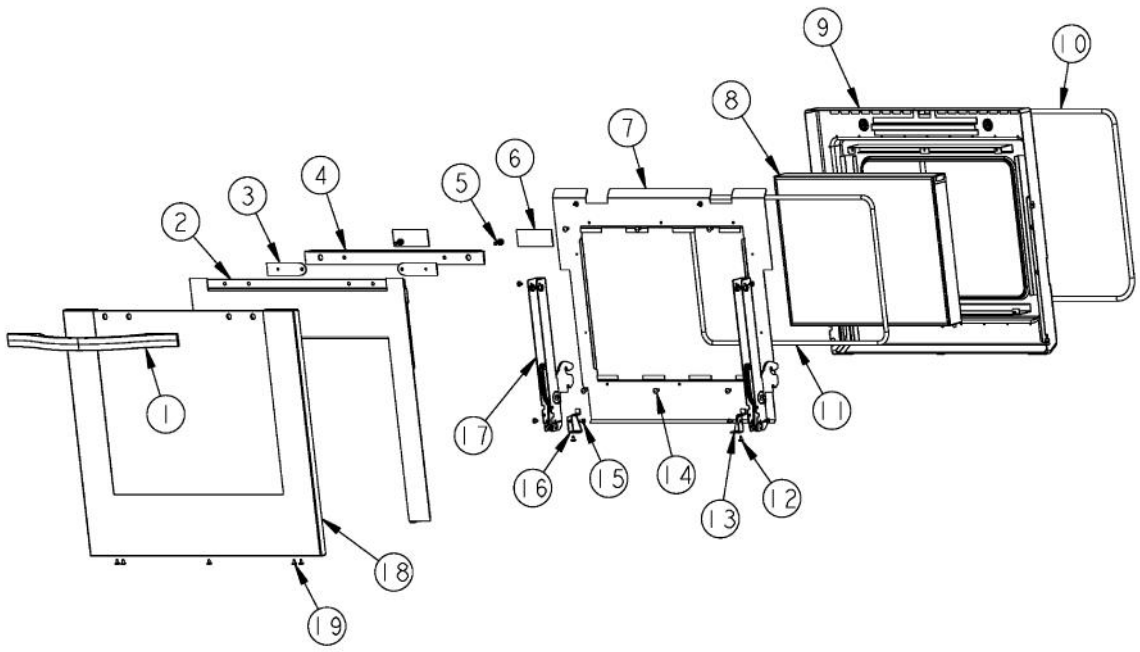
Ref #	Part Number	Qty.	Description
1	PD020060		10 X 1/2 (5/16)HEX WSHR HD.(T)A
2	A20012808		CATALYST EXHAUST, MIDDLE MODULE
3	A2009659		BRACKET, FILLER, BLOWER
4	A3009660		BRACKET, BLOWER, DBL LOWER OVEN
5	PE050250		PREMIUM BLOWER WITH HES
6	A20014036		BOTTOM BLOWER DIVIDER
7	PD020013		TYPE AB NO.6 X 3/8 PH PAN HD. SMS
8	A20014089		DISC BRACKET
9	PJ030039		BI-METAL THERMOSTAT 275 DEGREES
10	PD020004		10X3/8PH.HD.TYPE 25 REPL PD040125
11	A20012649		DOOR SWITCH BRACKET
12	PE050208		DOOR SWITCH
13	PD020063		SCREW-NO.8(A) X 3/8PH WFR HD/BK OXID
14	C90012803BK		INLET GRILL DBL LOWER OVEN 27
15	PD040004		GROMMET BUMPER
16	PB070321		LOWER LATCH INSULATION
17	PE050210		DOOR LATCH
18	PB070079		SILICONE EXTRUSION (DGSU)
19	A20012802		MODULE PAN 27



Ref #	Part Number	Qty.	Description
1	PB070301		27 BACK INSULATION
2	A21010918		BRACKET, AIR, CONVECTION MOTOR
3	A2009671		BRACKET, POWER CABLE
4	PB040070		CONDUIT FITTING (90 DEG)
5	PB020071		CONDUIT - FLEXIBLE (48)
6	A10010907		COVER, BLOWER
7	A20014052		WIRE SHIELD
8	A21010919		BRACKET, AIR, CONVECTION MOTOR
9	A2009684		REAR AIR DIVIDER, DOUBLE OVEN
10	A2009697		BRACKET, CONVECTION INSULATION
11	PD020060		10 X 1/2 (5/16)HEX WSHR HD.(T)A
12	A20012809		REAR AIR DIVIDER, DBL, LOWER OVEN
13	A20012807		PANEL, REAR
14	A20010931		BASE, BACK WRAPPER, 27



Ref #	Part Number	Qty.	Description
1	PE030167		30 DOOR HANDLE
1	PE030167PVD		30 DOOR HANDLE PVD
2	001498-000		DESIGNER 27`` INSULATION RETAINER KIT
3	PC050002		DESIGNER DOOR HANDLE SPACER
4	PE040285		DESIGNER DOOR TRIM
5	PD020186		1/4-20 X 3/4 HEX WASHER HEAD MS
6	PB070336		DOOR BRACKET INSULATION
7	A20010949		PANEL, INSULATION, INNNER DOOR
8	PE060093		27 WINDOW PACK
9	G91010942		DOOR LINER ASSEMBLY
10	PB070245		27 DOOR GASKET
11	000594-000		BLACK FIBERGLASS ROPE 3/8
12	PD020063		SCREW-NO.8(A) X 3/8PH WFR HD/BK OXID
13	A20012640		HINGE SUPPORT RH
14	PD020002		10 X 1/2 PH.TR.HD.SMS.
15	PD020004		10X3/8PH.HD.TYPE 25 REPL PD040125
16	A20012641		HINGE SUPPORT LH
17	PC020248		DOOR HINGE
18	001453-002		27 IN DES. DOOR SKIN KIT W/LOGO - BK
18	001453-003		27 IN DES. DOOR SKIN KIT W/LOGO - BT
18	001453-005		27 IN DES. DOOR SKIN KIT W/LOGO - GG
18	001453-004		27 IN DES. DOOR SKIN KIT W/LOGO - SG
18	001453-000		27 IN DES. DOOR SKIN KIT W/LOGO - SS
18	001453-006		27 IN DES. DOOR SKIN KIT W/LOGO - WH
19	PD020032		SRW-8(A)X3/8PH.WFR HD 7/16DIAXNICL
NI	G32012811BK		27 DOOR ASSY W/LOGO XBKX
NI	G32012811BKBR		27 DOOR ASSY W/LOGO XBKBRX
NI	G32012811BT		27 DOOR ASSY W/LOGO XBTX
NI	G32012811BTBR		27 DOOR ASSY W/LOGO XBTBRX
NI	G32012811GG		27 DOOR ASSY W/LOGO XGGX
NI	G32012811GGBR		27 DOOR ASSY W/LOGO XGGBRX
NI	G32012811SG		27 DOOR ASSY W/LOGO XSGX
NI	G32012811SGBR		27 DOOR ASSY W/LOGO XSGBRX
NI	G32012811SS		27 DOOR ASSY W/LOGO
NI	G32012811SSBR		27 DOOR ASSY W/LOGO XSSBRX
NI	G32012811WH		27 DOOR ASSY W/LOGO XWHX
NI	G32012811WHBR		27 DOOR ASSY W/LOGO XWHBRX
NI	017736-000	1	WINDOW PACK INSULATION KIT



Ref #	Part Number	Qty.	Description
1	PE030167		30 DOOR HANDLE
1	PE030167PVD		30 DOOR HANDLE PVD
2	001498-000		DESIGNER 27`` INSULATION RETAINER KIT
3	PC050002		DESIGNER DOOR HANDLE SPACER
4	PE040285		DESIGNER DOOR TRIM
5	PD020186		1/4-20 X 3/4 HEX WASHER HEAD MS
6	PB070336		DOOR BRACKET INSULATION
7	A20010949		PANEL, INSULATION, INNNER DOOR
8	PE060093		27 WINDOW PACK
9	G91010942		DOOR LINER ASSEMBLY
10	PB070245		27 DOOR GASKET
11	000594-000		BLACK FIBERGLASS ROPE 3/8
12	PD020063		SCREW-NO.8(A) X 3/8PH WFR HD/BK OXID
13	A20012640		HINGE SUPPORT RH
14	PD020002		10 X 1/2 PH.TR.HD.SMS.
15	PD020004		10X3/8PH.HD.TYPE 25 REPL PD040125
16	A20012641		HINGE SUPPORT LH
17	PC020248		DOOR HINGE
18	001454-002		27 IN DES DOOR SKIN KIT W/O LOGO - BK
18	001454-003		27 IN DES. DOOR SKIN KIT W/O LOGO - BT
18	001454-005		27 IN DES. DOOR SKIN KIT W/O LOGO - GG
18	001454-004		27 IN DES DOOR SKIN KIT W/O LOGO - SG
18	001454-000		27 IN DES. DOOR SKIN KIT W/O LOGO - SS
18	001454-006		27 IN DES. DOOR SKIN KIT W/O LOGO - WH
19	PD020032		SRW-8(A)X3/8PH.WFR HD 7/16DIAXNICL
NI	G32014007BK		27 DOOR ASSY W/O LOGO XBKX
NI	G32014007BKBR		27 DOOR ASSY W/O LOGO XBKBRX
NI	G32014007BT		27 DOOR ASSY W/O LOGO XBTX
NI	G32014007BTBR		27 DOOR ASSY W/O LOGO XBTBRX
NI	G32014007GG		27 DOOR ASSY W/O LOGO XGGX
NI	G32014007GGBR		27 DOOR ASSY W/O LOGO XGGBRX
NI	G32014007SG		27 DOOR ASSY W/O LOGO XSGX
NI	G32014007SGBR		27 DOOR ASSY W/O LOGO XSGBRX
NI	G32014007SS		27 DOOR ASSY W/O LOGO
NI	G32014007SSBR		27 DOOR ASSY W/O LOGO XSBRX
NI	G32014007WH		27 DOOR ASSY W/O LOGO XWHX
NI	G32014007WHBR		27 DOOR ASSY W/O LOGO XWHBRX
NI	017736-000	1	WINDOW PACK INSULATION KIT

*No Image
Available*

Ref #	Part Number	Qty.	Description
1	PE070845	1	TOUCH CONTROL KEYBOARD HARNESS
2	PE070846	1	TOUCH CONTROL DISPLAY HARNESS