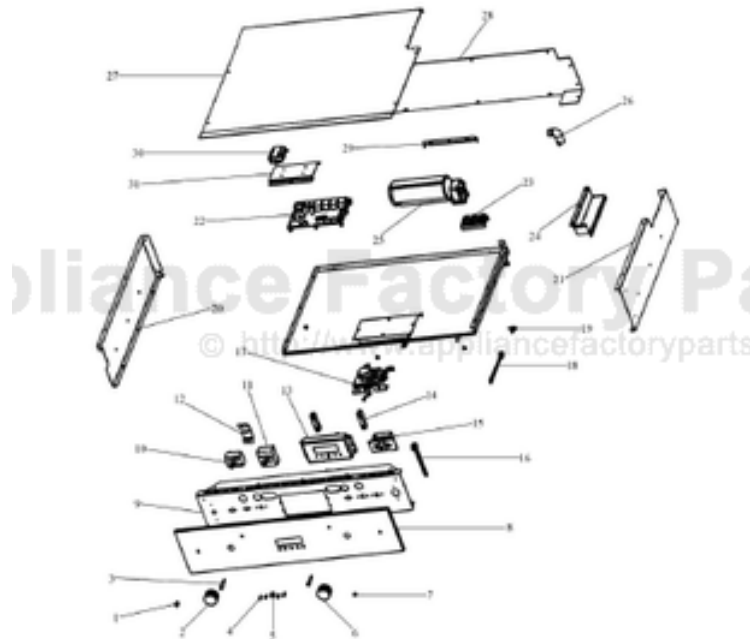


This Owner's Manual is provided and hosted by [Appliance Factory Parts](http://www.appliancefactoryparts.com).



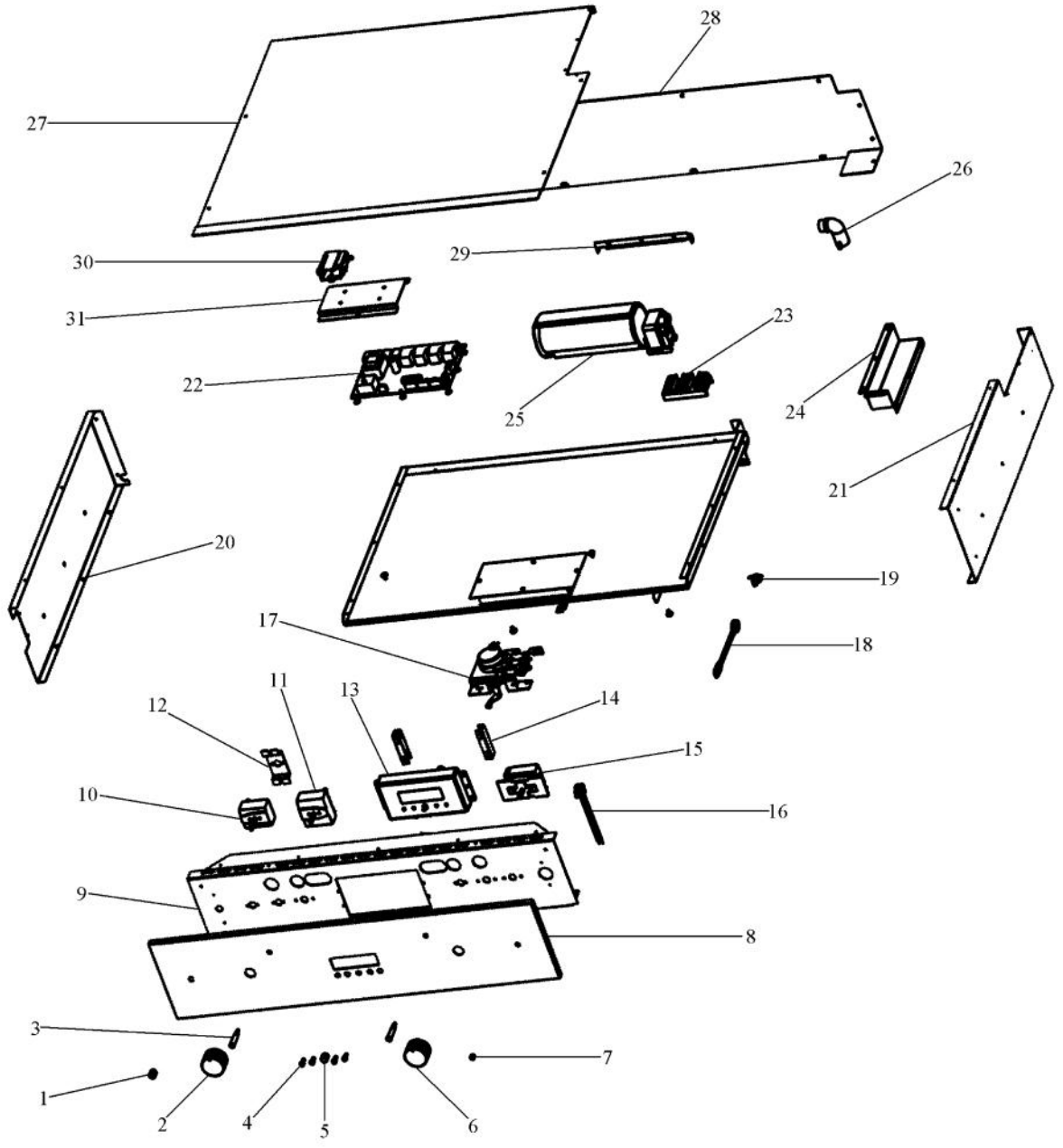
VIKING DESO101 Owner's Manual

[Shop genuine replacement parts for VIKING DESO101](#)

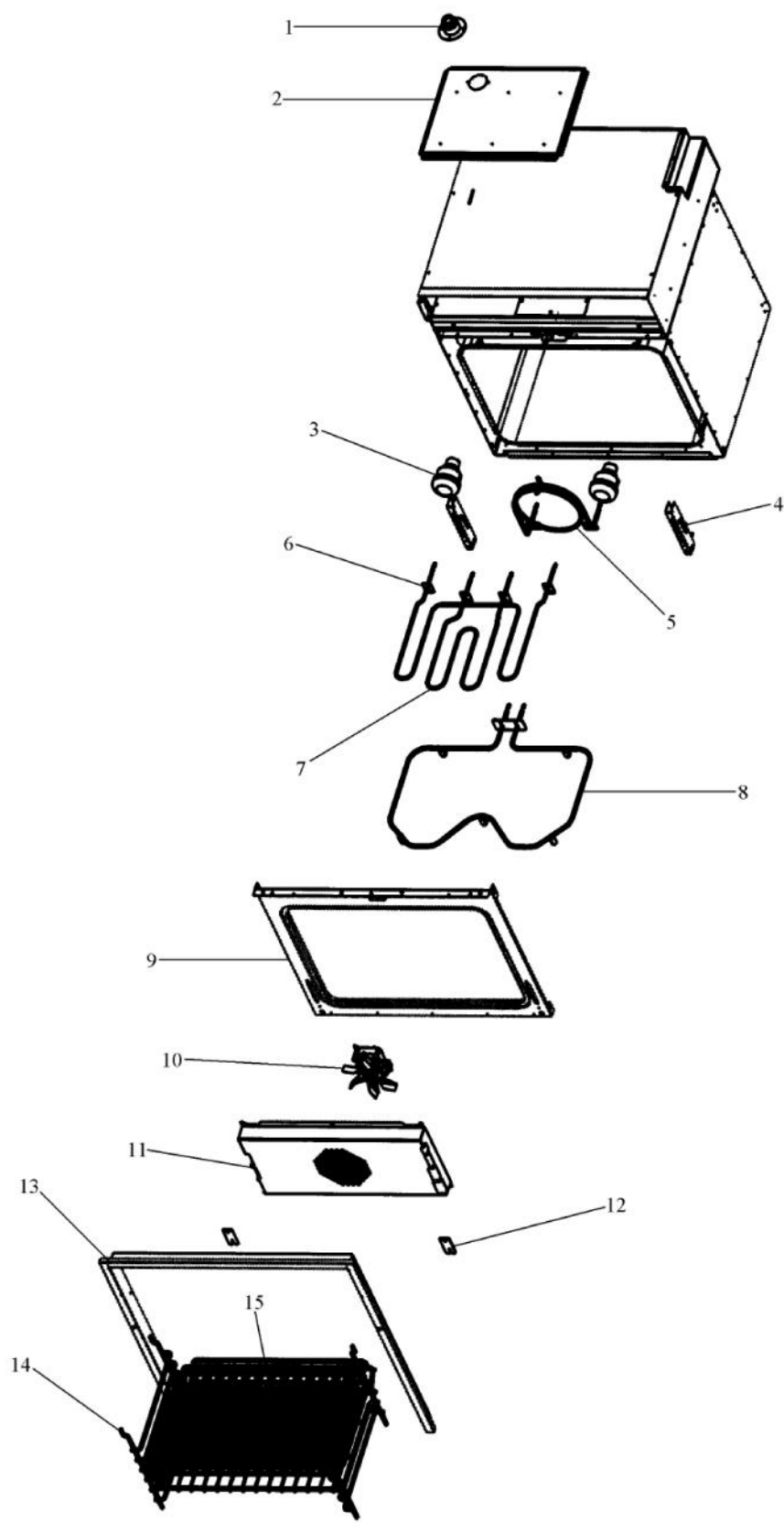


[Find Your VIKING Oven Parts - Select From 98 Models](#)

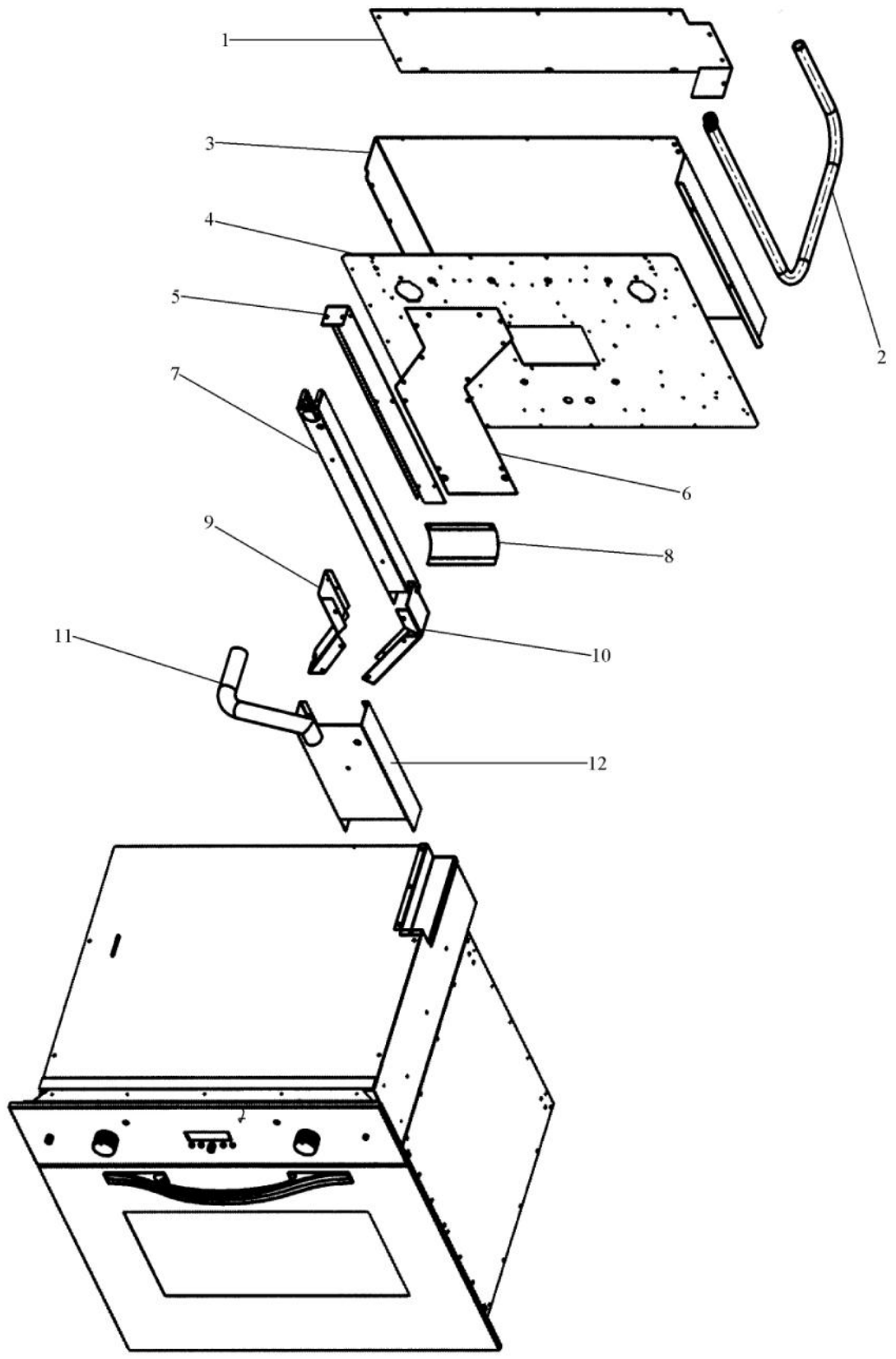
----- Manual continues below -----



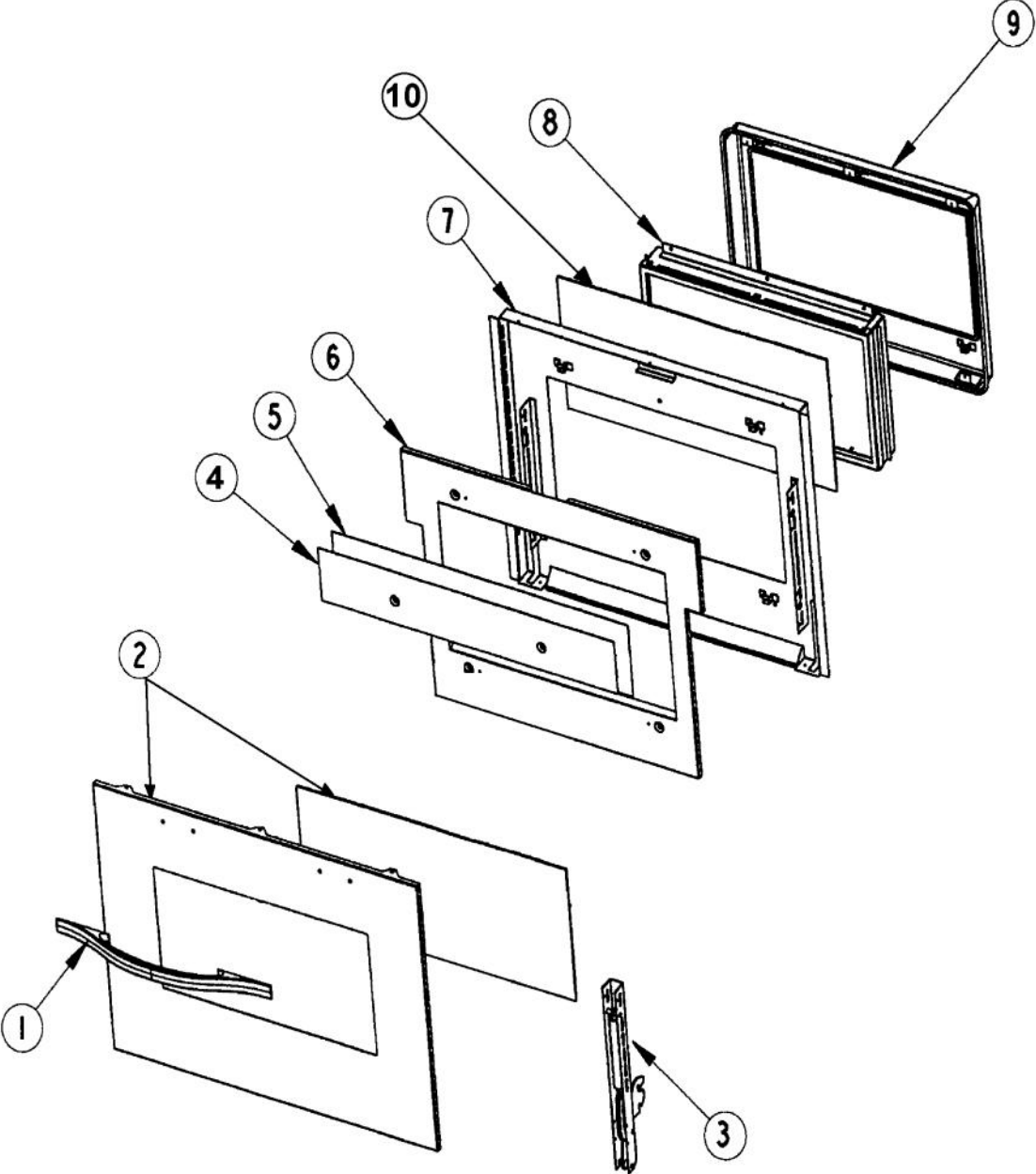
Ref #	Part Number	Qty.	Description
1	PA010110		DESIGNER OVEN SELECTOR KNOB REPL PA010092
	PA010110PVD		DESIGNER OVEN SELECTOR KNOB-BRASS
2	PA010091		SELECTOR KNOB - BK
	PA010095		DESIGNER SELECTOR KNOB - GRAY
	PA010091PVD		DESIGNER SELECTOR KNOB - BR
	PA010095PVD		DESIGNER SELECTOR KNOB-BR/GRAY
3	PE050073		DESIGNER INDICATOR LT
4	PB010269		CLOCK BUTTON
5	PB010222		DESIGNER BIT GENERATOR KNOB
	PB010222PVD		DESIGNER BIT GENERATOR KNOB-BRASS
6	PB010196		DESIGNER THERMOSTAT KNOB
	PB010204		DESIGNER THERMOSTAT KNOB - GRAY
	PB010196PVD		DESIGNER THERMOSTAT KNOB W/BRASS
	PB010204PVD		DESIGNER THERMOSTAT KNOB -BR/GRAY
7	PA010093		DESIGNER OVEN LT SWITCH KNOB
	PA010093PVD		DESIGNER OVEN LT SWITCH KNOB-BRASS
8	B92010129		CONTROL PANEL 30 SGL
	C92010129BK		CTRL PANEL 30 SGL XBKX SLK. SC.
	C92010129WH		CTRL PANEL 30 SGL XWHX SLK. SC.
9	H91010134		CONTROL PANEL MTG ASSY 30
10	PJ030011		SWITCH (2-POSITION) VESO105
11	PJ030001		SELECTOR SWITCH (8-POSITION) VDSC
12	A2006100		THREE POSITION SELECTOR BRKT
13	PE050130		CLOCK
14	A20010135		CLOCK MOUNTING BRACKET
15	PJ030037		SUB TO PS500033 - SELF CLEAN THERMOSTAT
16	PE050076		DESIGNER OVEN LIGHT SWITCH
17	PE050112		DOOR LATCH
18	PE050059		HI-LIMIT SWITCH
19	PJ030006		SWITCH (COOLING FAN)
20	A2007699		CABINET SIDE LH
21	A2007906		30`` SINGLE CAB. SIDE RH
22	PE070472		ELECTRONIC CONTROL BOARD
23	PE070147		TERMINAL BLOCK
24	A2002966		TOP CHANNEL (VESO105)
25	PE050087		BLOWER ASSEMBLY - DESIGNER SERIES
26	PB040070		CONDUIT FITTING (90 DEG)
27	A2007955		30`` SINGLE CABINET TOP
28	A2007907		30`` SGL. REAR TOP COVER
29	A2006048		FAN MOUNTING BRACKET
30	PJ030002		AUTO RESET (SELF-CLEAN) VDSC
31	A2009884		AUTO RESET BRACKET



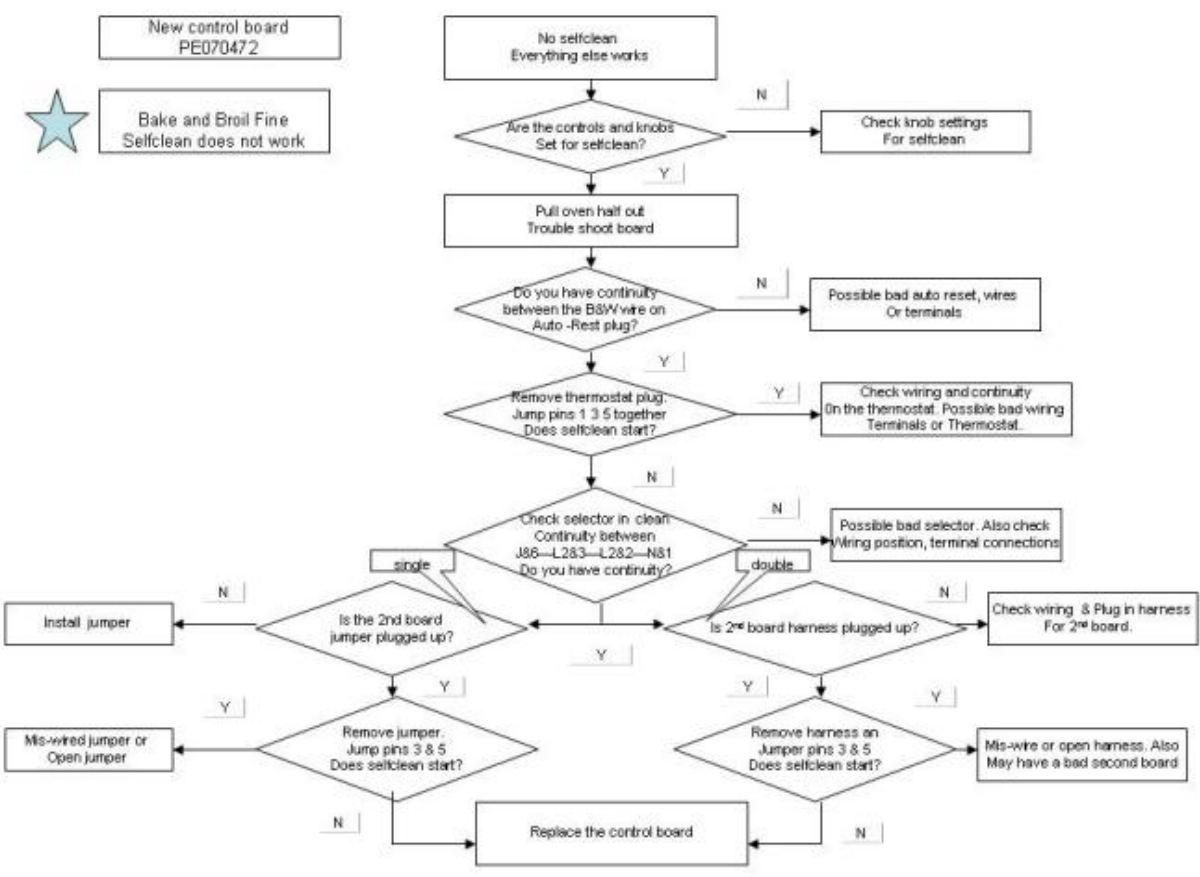
Ref #	Part Number	Qty.	Description
1	PM010014		SMOKE ELIMINATOR (VDSC)
2	B2002167		BROILER TOP (VDSC)
3	PE050009		OVEN LIGHT SOCKET - 36 BUILT-IN
4	PC020139		DESIGNER DOOR HINGE (AFTER 2/15/02)
5	PJ010003		CONVECTION ELEMENT (VDSC) 240V
6	PJ010002		BROIL ELEMENT(MAXI)-SIDE (VDSC)240V
7	PJ010001		BROIL ELEMENT 240V
8	PJ010004		BAKE ELEMENT (VDSC) 240V
9	H9106118		30 INCH DESIGNER F.F. ASSEMBLY
10	PE050005		CONVECTION FAN ASSY
11	E9102170		CONVECTION FAN COVER
12	B1007913		HINGE CLIP (DESIGNER TIME PIECE)
13	G3007286		DESO100/105 TRIM ASSY
	G9007612BK		SUB TO G90012652BK - DESO100/105 TRIM ASSY XBKX
	G9007612BT		SUB TO G90012652BT - DESO100/105 TRIM ASSY XBTX
	G9007612GG		SUB TO G90012652GG - DESO100/105 TRIM ASSY XGGX
	G9007612SG		SUB TO G90012652SG - DESO100/105 TRIM ASSY XSGX
	G9007612WH		SUB TO G90012652WH - DESO100/105 TRIM ASSY XWHX
14	PB060030		RACK SUPT REPL PB060010
15	PB060044		OVEN RK VDSC30/48RH REPL PB060019



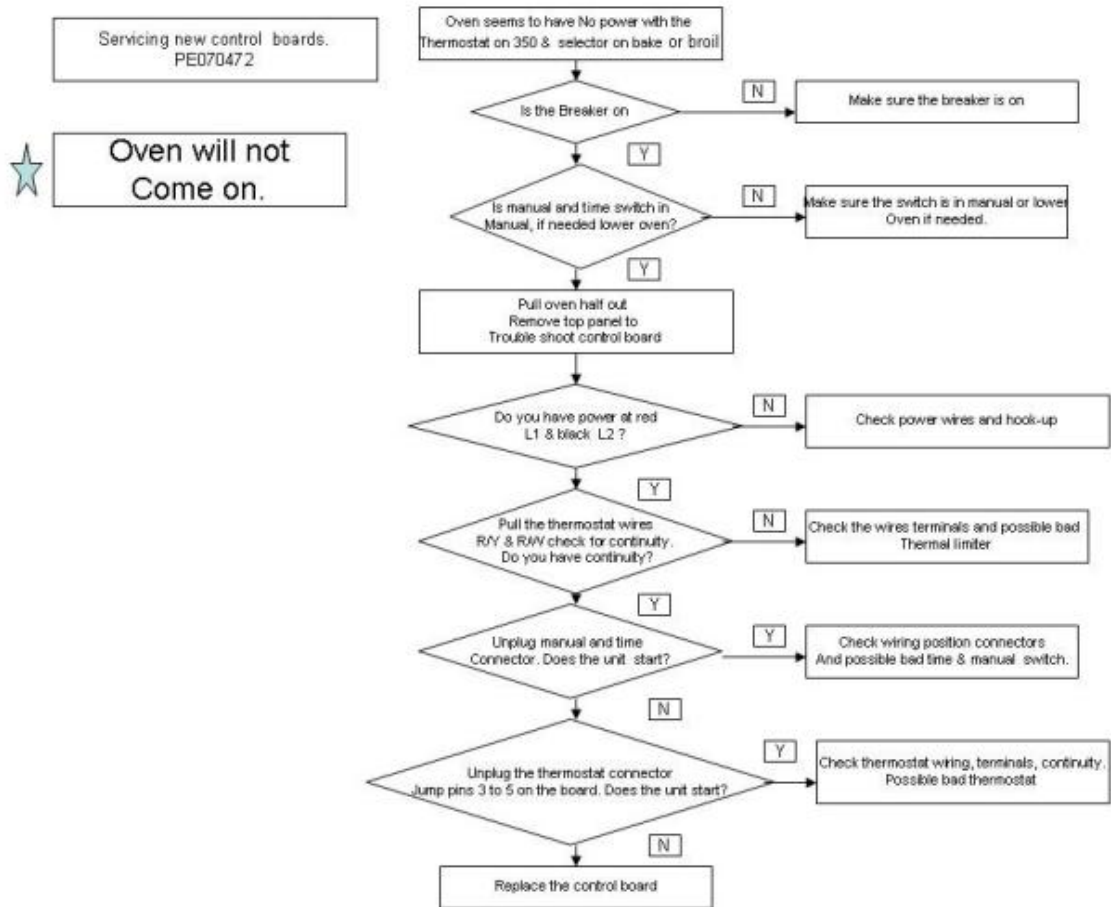
Ref #	Part Number	Qty.	Description
1	A2007907		30`` SGL. REAR TOP COVER
2	PB020071		CONDUIT - FLEXIBLE (48)
3	A2008581		30 UPPER OUTER BACK
4	A1002905		BACK INSULATION RETAINER -VESO/VEDO
5	A2006189		SINGLE OVEN FLUE COVER
6	A1006190		SINGLE OVEN COVER PLATE
7	A2006188		SINGLE OVEN FLUE
8	A2006182		AIR SCOOP
9	A2006324		VENT SIDE LH
10	A2006323		VENT SIDE RH
11	PB020117		DESIGNER OVEN VENT
12	A2006326		LOWER AIR VENT SINGLE



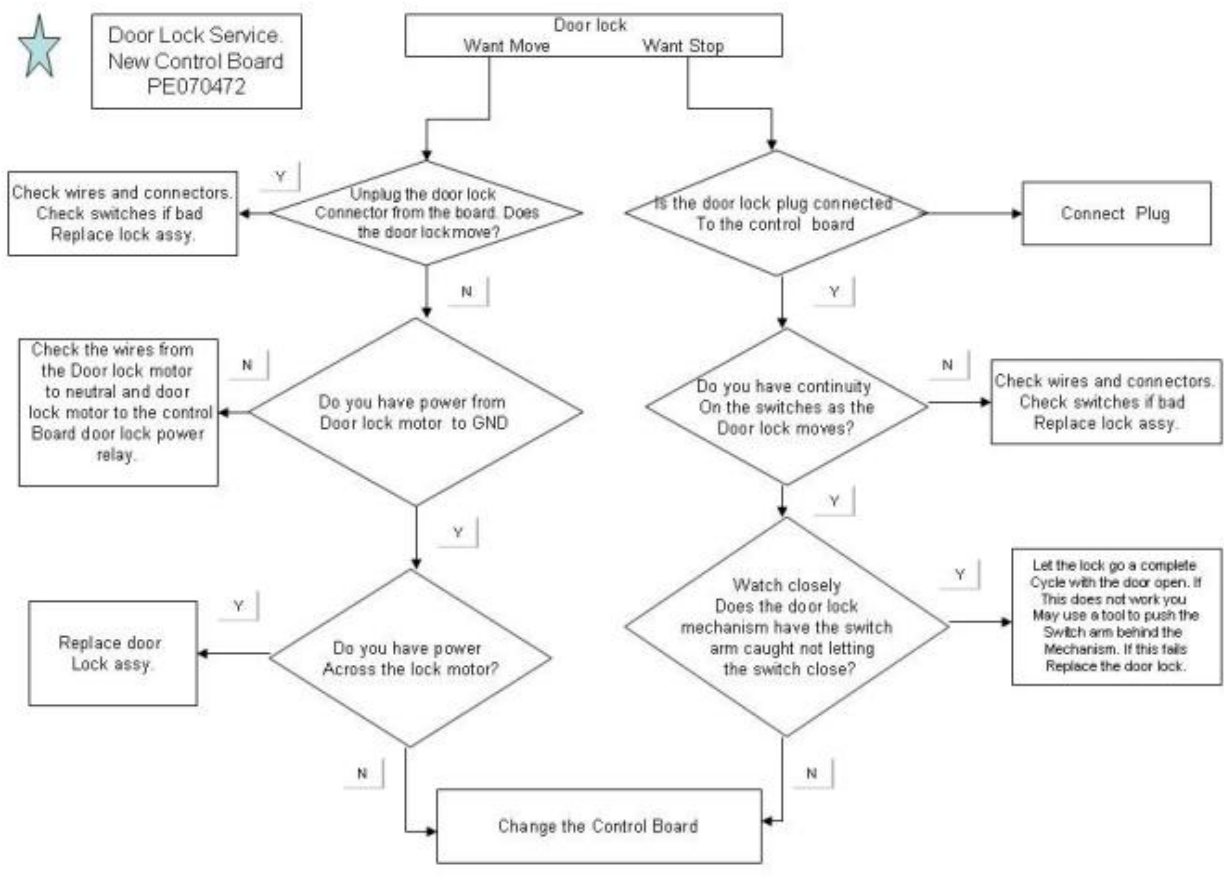
Ref #	Part Number	Qty.	Description
1	PE030167		30 DOOR HANDLE
	PE030167PVD		30 DOOR HANDLE PVD
2	G5008293BK		O/S DOOR SKIN ASSEMBLY (DESIGN)
	G5008293BT		O/S DOOR SKIN ASSEMBLY (DESIGN)
	G5008293GG		O/S DOOR SKIN ASSEMBLY (DESIGN)
	G5008293SG		O/S DOOR SKIN ASSEMBLY (DESIGN)
	G5008293SS		O/S DOOR SKIN ASSEMBLY (DESIGN)
	G5008293WH		O/S DOOR SKIN ASSEMBLY (DESIGN)
3	PC020139		DESIGNER DOOR HINGE (AFTER 2/15/02)
4	A1006196		OUTER DOOR HEAT SHIELD 30
5	A1006195		INNER DOOR HEAT SHIELD 30
6	A2006016		30 INCH DESIGNER DOOR INSULATION
7	G50010118		DESO100/105/DEDO200/205 DR LINER SVC-KIT
8	PE060080		GLASS PACK 30
9	G50010118		DESO100/105/DEDO200/205 DR LINER SVC-KIT
NI	PB070041		SUB TO 000623-000 - DOOR GASKET(3/8DIA.) (VDSC)
10	PE060057		30 GLASS PACK GLASS H.T.
NI	PB070093		BOARD INSULATION 30
NI	G3207970BK		DOOR ASSY XBKX (DEDO200/DESO100)
	G3207970BKBR		DOOR ASSY XBKXBRX (DEDO200/DESO100)
	G3207970BT		DOOR ASSY XBTX (DEDO200/DESO100)
	G3207970BTBR		DOOR ASSY XBTXBR (DEDO200/DESO100)
	G3207970GG		DOOR ASSY XGGX (DEDO200/DESO100)
	G3207970GGBR		DOOR ASSY XGGXBRX (DEDO200/DESO100)
	G3207970SG		DOOR ASSY XSGX (DEDO200/DESO100)
	G3207970SGBR		DOOR ASSY XSGXBRX (DEDO200/DESO100)
	G3207970SS		DOOR ASSY XSSX (DEDO200/DESO100)
	G3207970SSBR		DOOR ASSY XSSXBRX (DEDO200/DESO100)
	G3207970WH		DOOR ASSY XWHX (DEDO200/DESO100)
	G3207970WHBR		DOOR ASSY XWHXBRX (DEDO200/DESO100)
NI	PD020032		SRW-8(A)X3/8PH.WFR HD 7/16DIAXNICL
NI	B1007913		HINGE CLIP (DESIGNER TIME PIECE)



Ref #	Part Number	Qty.	Description
-------	-------------	------	-------------



Ref #	Part Number	Qty.	Description
-------	-------------	------	-------------



Door Lock Service.
New Control Board
PE070472

Ref #	Part Number	Qty.	Description
-------	-------------	------	-------------
