

This Owner's Manual is provided and hosted by [Appliance Factory Parts](#).



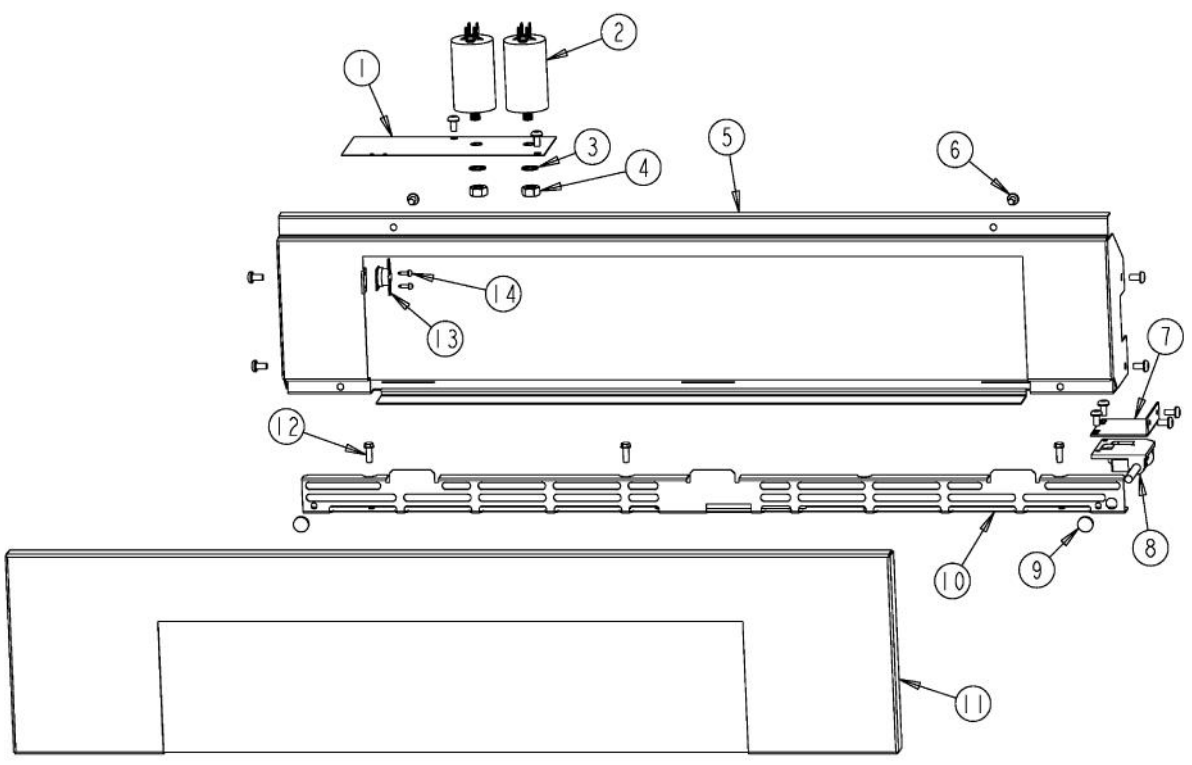
VIKING DESO130T Owner's Manual

[Shop genuine replacement parts for VIKING DESO130T](#)

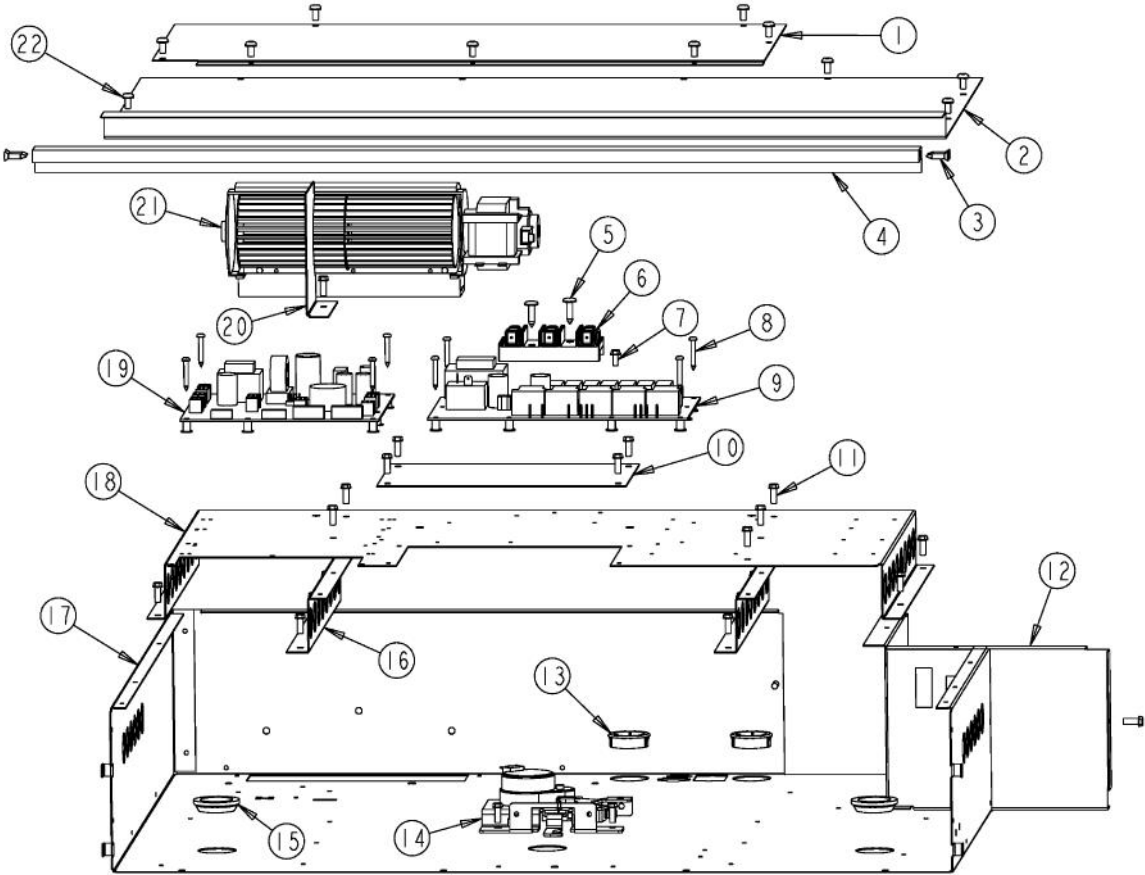


[Find Your VIKING Oven Parts - Select From 98 Models](#)

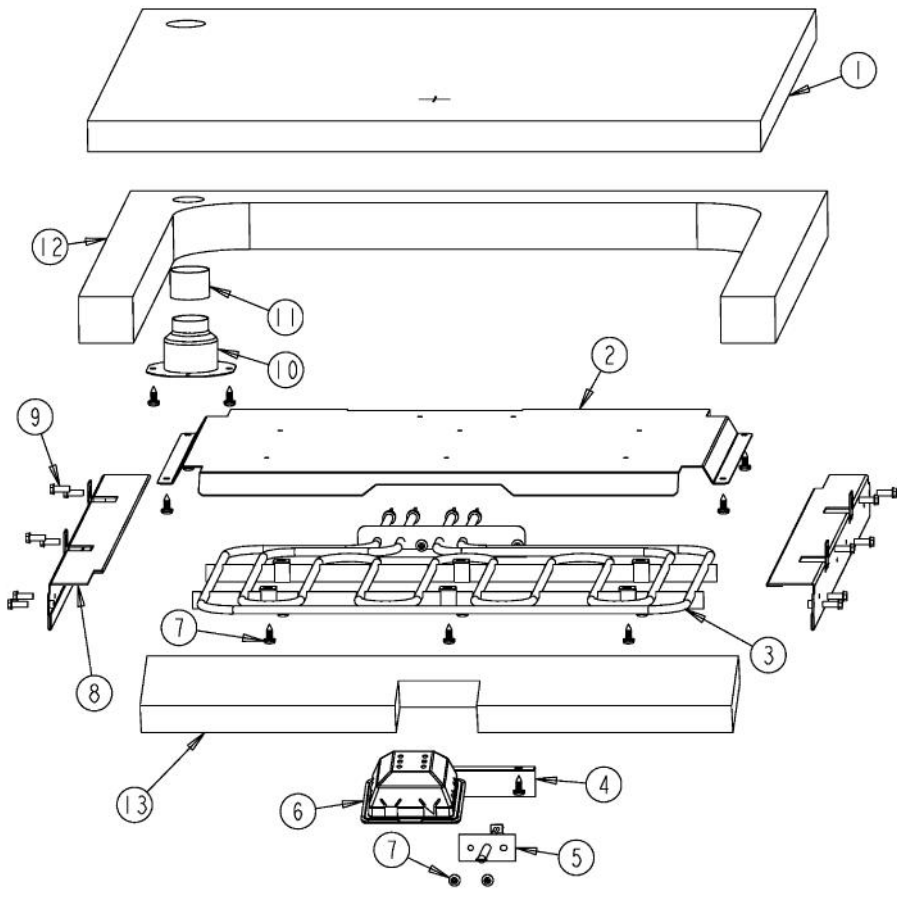
----- Manual continues below -----



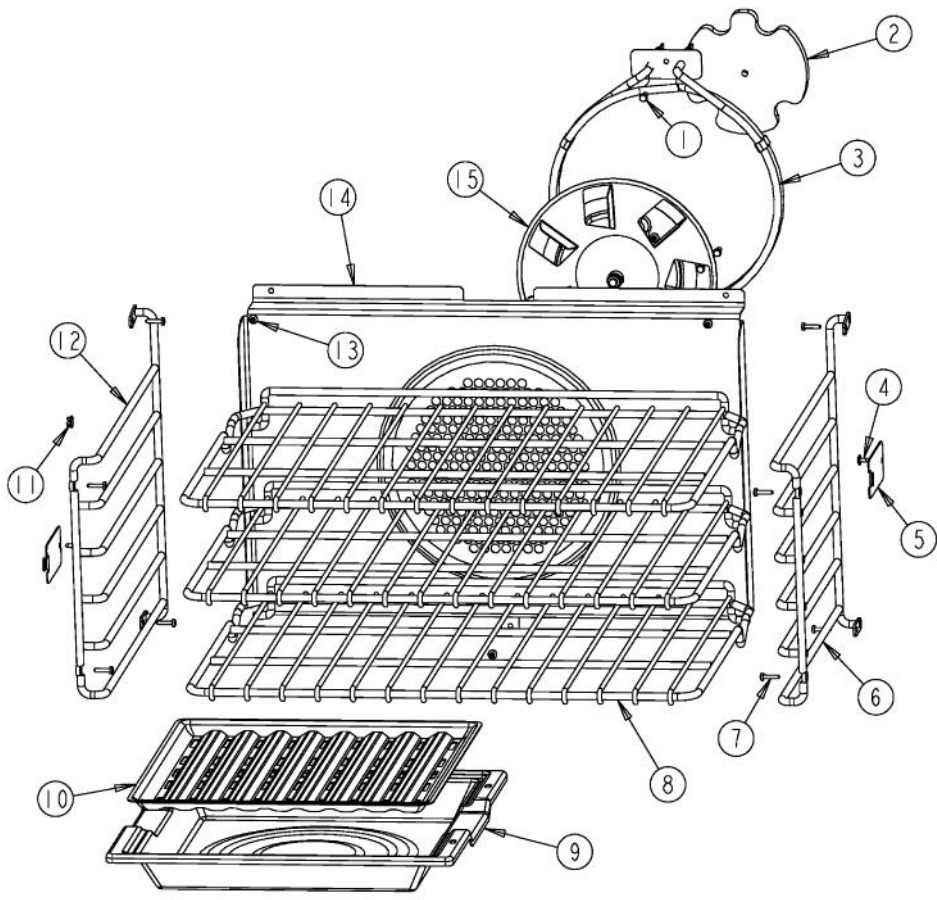
| Ref # | Part Number | Qty. | Description |
|-------|-------------|------|--|
| 1 | A10014028 | | 2 CAPACITOR BRACKET |
| 2 | PE050247 | | EBM FAN MOTOR CAPACITOR |
| 3 | PD040164 | | 5/16 INTERNAL TOOTH LOCK WASHER TYPE A |
| 4 | PD030172 | | M8 X 1.25MM NUT |
| 5 | A20014024 | | 30 TOUCH CONTROL MTG. PANEL |
| 6 | PD020004 | | 10X3/8PH.HD.TYPE 25 REPL PD040125 |
| 7 | A20012649 | | DOOR SWITCH BRACKET |
| 8 | PE050208 | | DOOR SWITCH |
| 9 | PD040004 | | GROMMET BUMPER |
| 10 | C90014072BK | | 30 INLET GRILL |
| 11 | PS500024BK | | 30 SELECT TOUCH SINGLE CONTROL PANEL ASSIMBLY - BK |
| 11 | PS500024BT | | 30 SELECT TOUCH SINGLE CONTROL PANEL ASSIMBLY - BT |
| 11 | PS500024GG | | 30 SELECT TOUCH SINGLE CONTROL PANEL ASSIMBLY - G... |
| 11 | PS500024SG | | 30 SELECT TOUCH SINGLE CONTROL PANEL ASSIMBLY - SG |
| 11 | PS500024SS | | 30 SELECT TOUCH SINGLE CONTROL PANEL ASSIMBLY - SS |
| 11 | PS500024WH | | 30 SELECT TOUCH SINGLE CONTROL PANEL ASSIMBLY -... |
| 12 | PD020060 | | 10 X 1/2 (5/16)HEX WSHR HD.(T)A |
| 13 | PJ030043 | | BI-METAL THERMOSTAT (N.C.) 180 DEGREES |
| 14 | PD020013 | | TYPE AB NO.6 X 3/8 PH PAN HD. SMS |



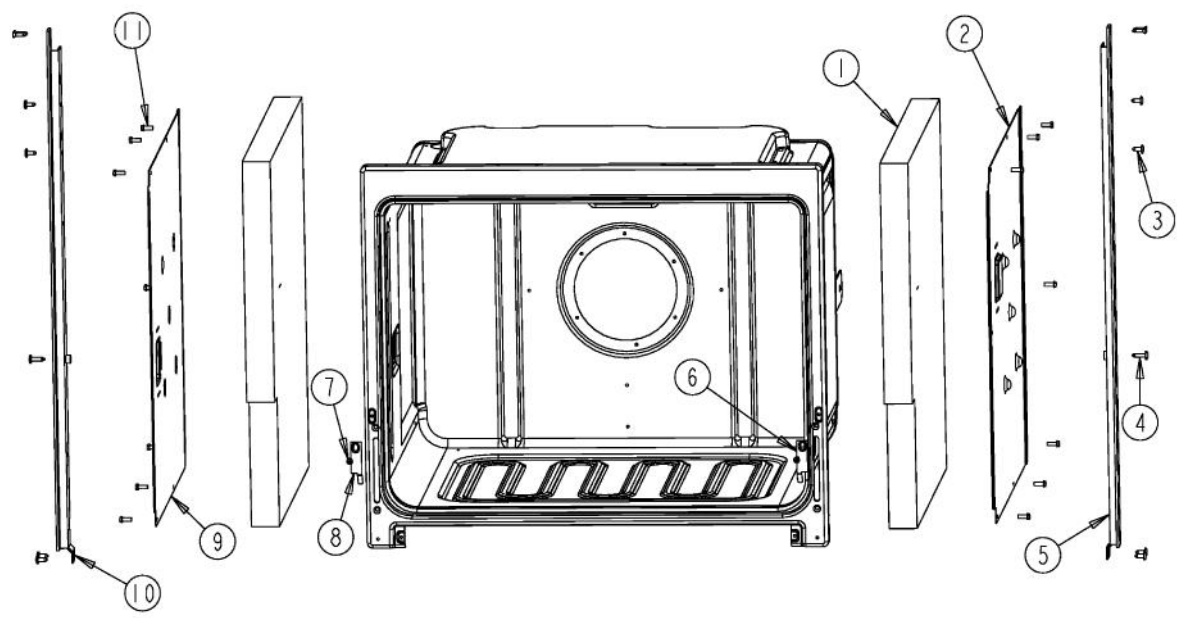
| Ref # | Part Number | Qty. | Description |
|-------|-------------|------|-----------------------------------|
| 1 | A20014049 | | 30 REAR COVER |
| 2 | A20014048 | | 30 FRONT COVER |
| 3 | PD020061 | | NO.8 X 3/4 FLAT HD TEK. SS. |
| 4 | PE040280 | | 30 DES. TOP TRIM |
| 5 | PD020014 | | 10X3/4 PH TR HD SMS |
| 6 | PE070147 | | TERMINAL BLOCK |
| 7 | PD020010 | | 10 X 3/8 GREEN GROUNDING SCREW |
| 8 | PD020185 | | NO.6 X 1 PAN HEAD SCREW |
| 9 | PE050234 | | RELAY BOARD |
| 10 | A10010911 | | COVER, LATCH |
| 11 | PD020060 | | 10 X 1/2 (5/16)HEX WSHR HD.(T)A |
| 12 | A20010934 | | BRACKET, MODULE PAN |
| 13 | PD040152 | | SNAP BUSHING |
| 14 | PE050210 | | DOOR LATCH |
| 15 | PB070079 | | SILICONE EXTRUSION (DGSU) |
| 16 | A20010910 | | BRACKET, SUPPORT, ELECTRONICS HAT |
| 17 | A2009643 | | MODULE PAN, TOP 30 |
| 18 | A2009672 | | ELECTRONICS HAT |
| 19 | PE050233 | | CONTROL BOARD |
| 20 | A2009667 | | REAR AIR DIVIDER |
| 21 | PE050250 | | PREMIUM BLOWER WITH HES |
| 22 | PD020004 | | 10X3/8PH.HD.TYPE 25 REPL PD040125 |



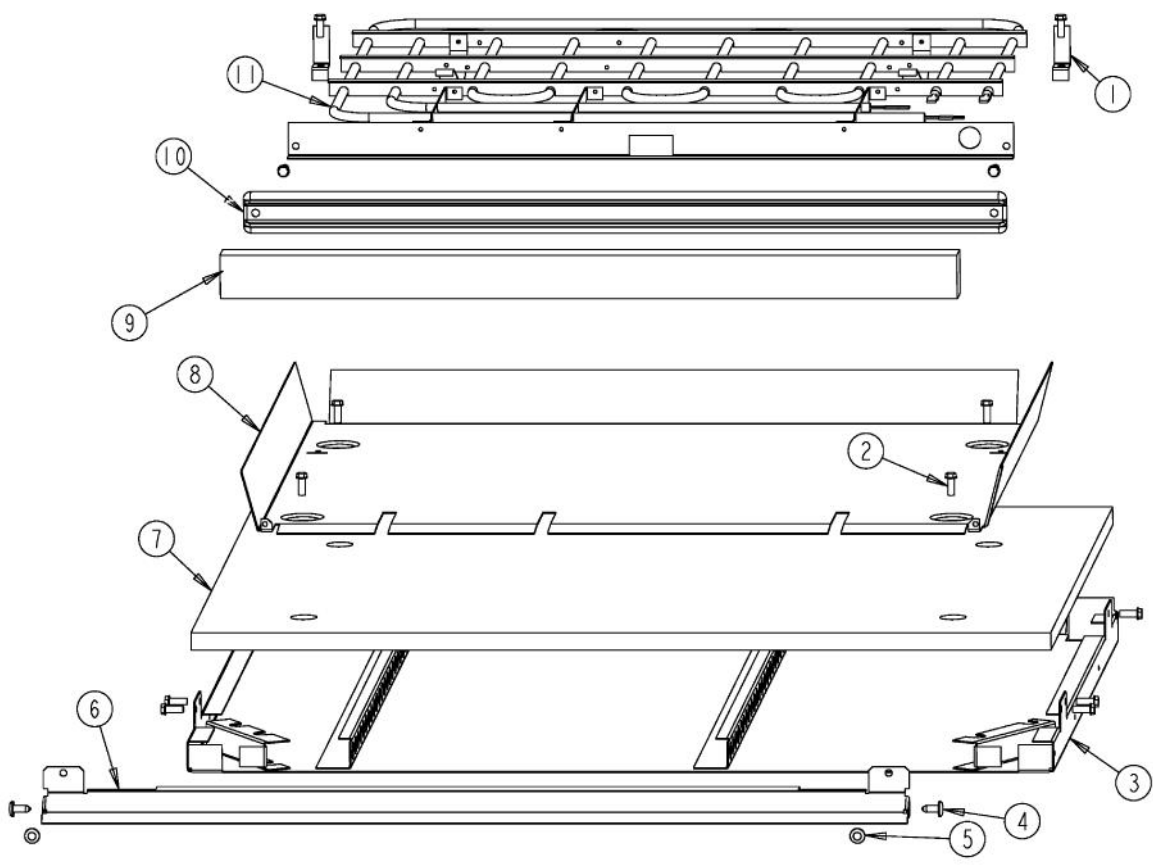
| Ref # | Part Number | Qty. | Description |
|-------|-------------|------|---------------------------------|
| 1 | PB070308 | | 30 TOP INSULATION |
| 2 | A20014021 | | REFLECTOR, BROIL |
| 3 | PJ010049 | | BROIL ELEMENT |
| 4 | A20014044 | | BROIL ELEMENT SHIELD |
| 5 | PE050206 | | RTD THERMOSTAT PROBE |
| 6 | PE050239 | | HALOGEN LAMP |
| 7 | PD020055 | | NO.10 X 1/2 PAN PHIL. TEK. SS |
| 8 | A2009641 | | BRKT, TOP WRAPPER |
| 9 | PD020060 | | 10 X 1/2 (5/16)HEX WSHR HD.(T)A |
| 10 | PM010014 | | SMOKE ELIMINATOR (VDSC) |
| 11 | PB020275 | | VENT TUBE |
| 12 | PB070305 | | 30 TOP BROIL INSULATION |
| 13 | PB070337 | | LINER FRONT INSULATION |



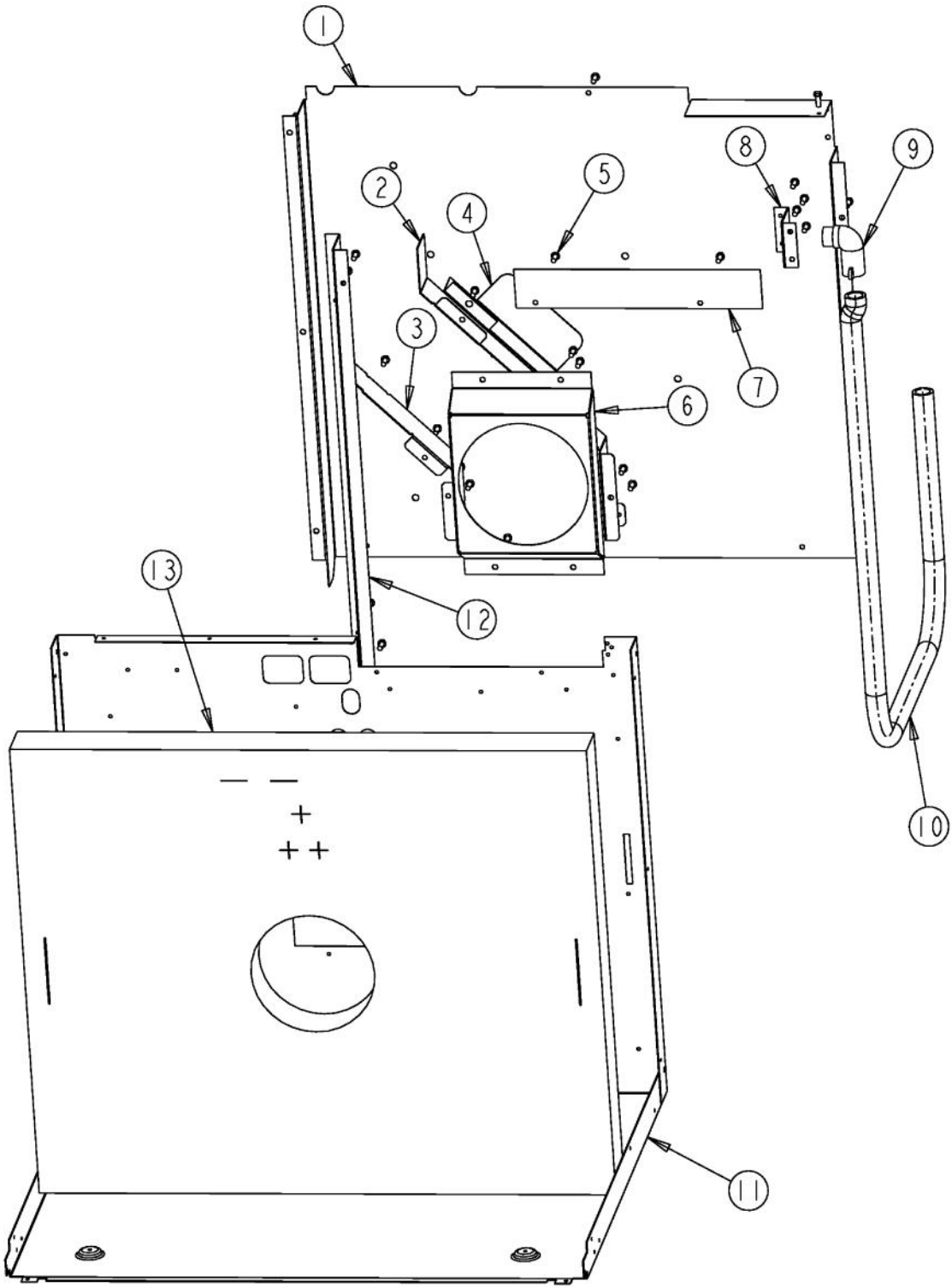
| Ref # | Part Number | Qty. | Description |
|-------|-------------|------|--|
| 1 | PD020060 | | 10 X 1/2 (5/16)HEX WSHR HD.(T)A |
| 2 | PB070312 | | CONVECTION MOTOR MTG. PLATE INSULATION |
| 3 | PJ010047 | | CONVECTION ELEMENT |
| 4 | PD020063 | | SCREW-NO.8(A) X 3/8PH WFR HD/BK OXID |
| 5 | E91012614 | | LIGHT HOLE COVER |
| 6 | PB060103 | | RACK SUPPORT RH |
| 7 | PD020232 | | NO.8 X 3/4 PH PAN HEAD TEK SCREW (BLACK OXIDE) |
| 8 | PB060107 | | 30 OVEN RACK |
| 9 | E9107933 | | BROILER PAN |
| 10 | E9107934 | | BROILER PAN INSERT |
| 11 | E91014053 | | PORCELAIN 25/64 HOLE PLUG |
| 12 | PB060104 | | RACK SUPPORT LH |
| 13 | PD020055 | | NO.10 X 1/2 PAN PHIL. TEK. SS |
| 14 | G91013598 | | 30 BAFFLE ASSEMBLY |
| 15 | G32014020 | | CONVECTION FAN ASSY |



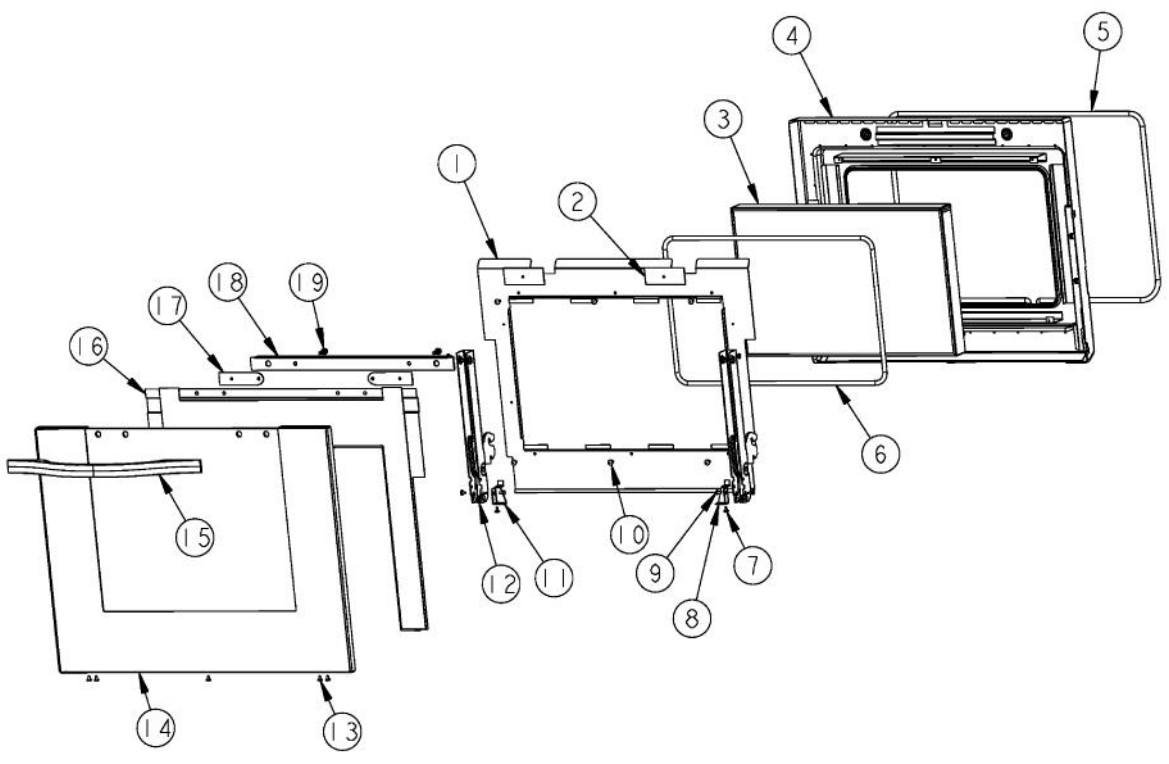
| Ref # | Part Number | Qty. | Description |
|-------|-------------|------|---------------------------------|
| 1 | PB070302 | | SIDE INSULATION |
| 2 | A2009622 | | BRKT, TOP WRAPPER, RIGHT |
| 3 | PD020002 | | 10 X 1/2 PH.TR.HD.SMS. |
| 4 | PD020014 | | 10X3/4 PH TR HD SMS |
| 5 | PE040281 | | DES. SINGLE SIDE TRIM RH |
| 6 | B21010915 | | HINGE CLIP ? RH |
| 7 | PD020061 | | NO.8 X 3/4 FLAT HD TEK. SS. |
| 8 | B21010916 | | HINGE CLIP ? LH |
| 9 | A20012650 | | BRKT, TOP WRAPPER LEFT |
| 10 | PE040282 | | DES. SINGLE SIDE TRIM LH |
| 11 | PD020060 | | 10 X 1/2 (5/16)HEX WSHR HD.(T)A |



| Ref # | Part Number | Qty. | Description |
|-------|-------------|------|--------------------------------------|
| 1 | A2009696 | | HOLDER, BAKE ELEMENT |
| 2 | PD020060 | | 10 X 1/2 (5/16)HEX WSHR HD.(T)A |
| 3 | G3009694 | | BASE MODULE ASSY 30 |
| 4 | PD020002 | | 10 X 1/2 PH.TR.HD.SMS. |
| 5 | PD020063 | | SCREW-NO.8(A) X 3/8PH WFR HD/BK OXID |
| 6 | C9009676BK | | BOTTOM AIR DEFLECTOR 30 |
| 7 | PB070303 | | 30 BOTTOM INSULATION |
| 8 | A2009612 | | ELEMENT, MTG TRAY |
| 9 | PB070309 | | BAKE ELEMENT INSULATION |
| 10 | E9109655 | | BAKE TRAY COVER |
| 11 | PJ010048 | | BAKE ELEMENT |



| Ref # | Part Number | Qty. | Description |
|-------|-------------|------|---------------------------------|
| 1 | A2009640 | | PANEL, REAR 30 |
| 2 | A21010918 | | BRACKET, AIR, CONVECTION MOTOR |
| 3 | A21010919 | | BRACKET, AIR, CONVECTION MOTOR |
| 4 | A20014052 | | WIRE SHIELD |
| 5 | PD020060 | | 10 X 1/2 (5/16)HEX WSHR HD.(T)A |
| 6 | A2009697 | | BRACKET, CONVECTION INSULATION |
| 7 | A10010907 | | COVER, BLOWER |
| 8 | A2009671 | | BRACKET, POWER CABLE |
| 9 | PB040070 | | CONDUIT FITTING (90 DEG) |
| 10 | PB020071 | | CONDUIT - FLEXIBLE (48) |
| 11 | A2009620 | | BASE, BACK WRAPPER |
| 12 | A2009666 | | AIR CHANNEL |
| 13 | PB070304 | | 30 BACK INSULATION |



| Ref # | Part Number | Qty. | Description |
|-------|---------------|------|---|
| 1 | A2009632 | | PANEL, INULATION, INNER DOOR |
| 2 | PB070336 | | DOOR BRACKET INSULATION |
| 3 | PE060094 | | 30 WINDOW PACK |
| 4 | G9109625 | | DOOR LINER PORC. |
| 5 | PB070246 | | 30 DOOR GASKET |
| 6 | 000594-000 | | BLACK FIBERGLASS ROPE 3/8 |
| 7 | PD020063 | | SCREW-NO.8(A) X 3/8PH WFR HD/BK OXID |
| 8 | A20012640 | | HINGE SUPPORT RH |
| 9 | PD020004 | | 10X3/8PH.HD.TYPE 25 REPL PD040125 |
| 10 | PD020002 | | 10 X 1/2 PH.TR.HD.SMS. |
| 11 | A20012641 | | HINGE SUPPORT LH |
| 12 | PC020220 | | SUB TO 006070-000 - DOOR HINGE MANSFIELD 30 |
| 13 | PD020032 | | SRW-8(A)X3/8PH.WFR HD 7/16DIAXNICL |
| 14 | 001451-002 | | 30 DES DOOR SKIN KIT W/LOGO - BK |
| 14 | 001451-003 | | 30 DES DOOR SKIN KIT W/LOGO - BT |
| 14 | 001451-005 | | 30 DES DOOR SKIN KIT W/LOGO - GG |
| 14 | 001451-004 | | 30 DES DOOR SKIN KIT W/LOGO - SG |
| 14 | 001451-000 | | 30 DES DOOR SKIN KIT W/LOGO - SS |
| 14 | 001451-006 | | 30 DES DOOR SKIN KIT W/LOGO - WH |
| 15 | PE030167 | | 30 DOOR HANDLE |
| 15 | PE030167PVD | | 30 DOOR HANDLE PVD |
| 16 | 001497-000 | | DESIGNER 30`` INSULATION RETAINER KIT |
| 17 | PC050002 | | DESIGNER DOOR HANDLE SPACER |
| 18 | PE040285 | | DESIGNER DOOR TRIM |
| 19 | PD020186 | | 1/4-20 X 3/4 HEX WASHER HEAD MS |
| NI | G32012750BK | | 30 DOOR ASSY W/LOGO XBKX |
| NI | G32012750BKBR | | 30 DOOR ASSY W/LOGO XBKBRX |
| NI | G32012750BT | | 30 DOOR ASSY W/LOGO XBTX |
| NI | G32012750BTBR | | 30 DOOR ASSY W/LOGO XBTBRX |
| NI | G32012750GG | | 30 DOOR ASSY W/LOGO XGGX |
| NI | G32012750GGBR | | 30 DOOR ASSY W/LOGO XGGBRX |
| NI | G32012750SG | | 30 DOOR ASSY W/LOGO XSGX |
| NI | G32012750SGBR | | 30 DOOR ASSY W/LOGO XSGBRX |
| NI | G32012750SS | | 30 DOOR ASSY W/LOGO |
| NI | G32012750SSBR | | 30 DOOR ASSY W/LOGO XSSBRX |
| NI | G32012750WH | | 30 DOOR ASSY W/LOGO XWHX |
| NI | G32012750WHBR | | COMPLETE DOOR ASSEMBLY - WHBR |
| NI | 017736-000 | | WINDOW PACK INSULATION KIT |

*No Image
Available*

| Ref # | Part Number | Qty. | Description |
|-------|-------------|------|--------------------------------|
| 1 | PE070845 | 1 | TOUCH CONTROL KEYBOARD HARNESS |
| 2 | PE070846 | 1 | TOUCH CONTROL DISPLAY HARNESS |