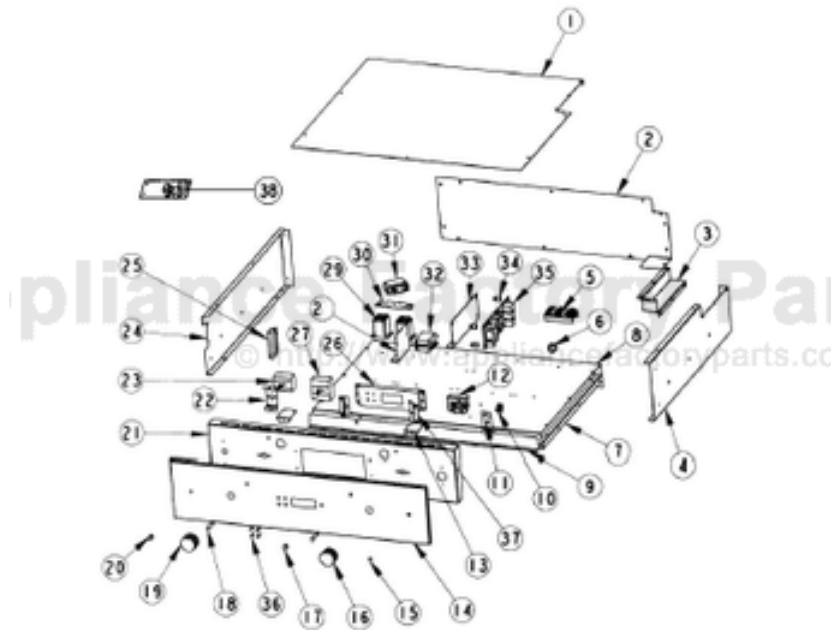


This Owner's Manual is provided and hosted by [Appliance Factory Parts](http://ApplianceFactoryParts.com).



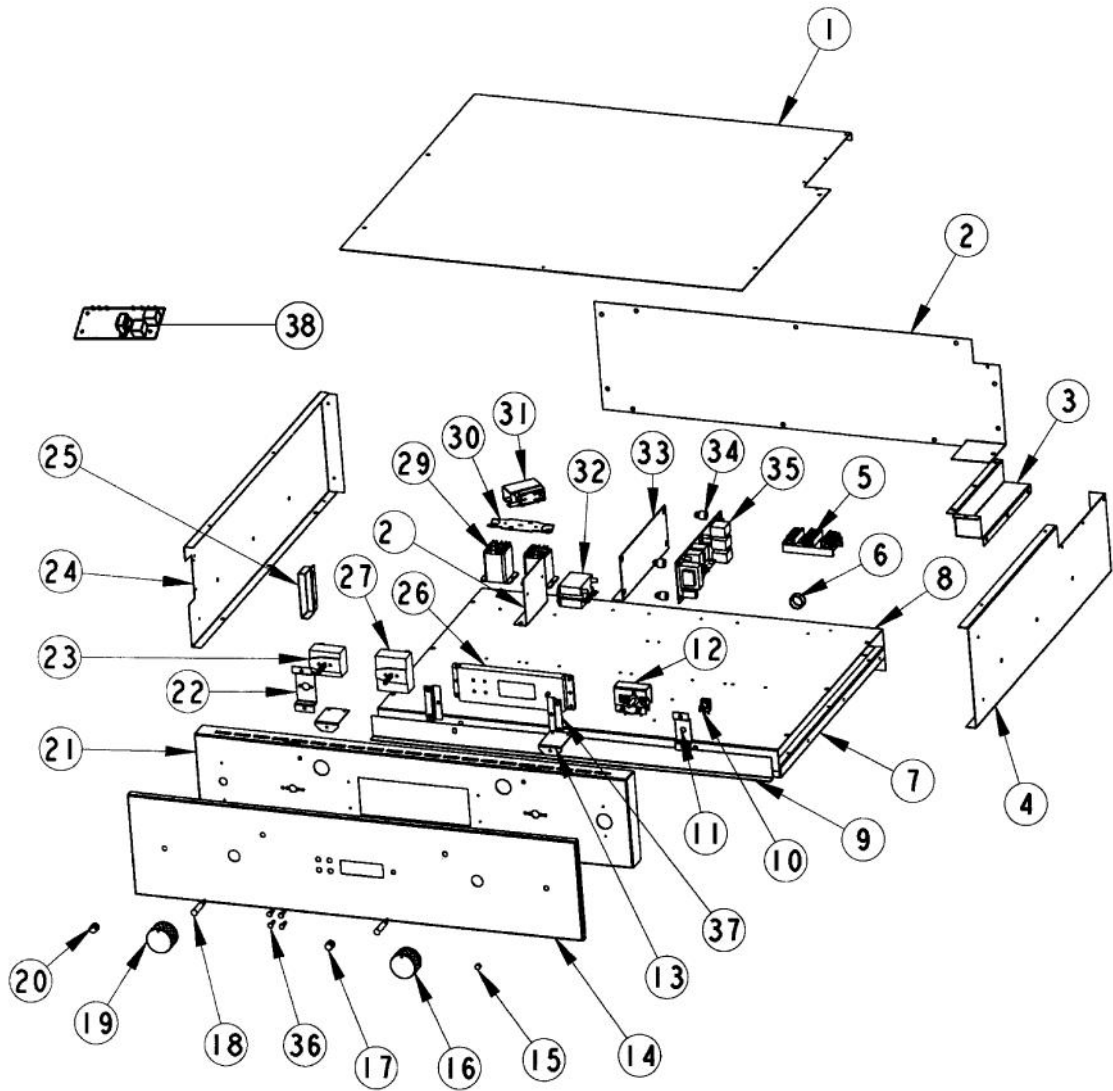
# VIKING DESO170 Owner's Manual

[Shop genuine replacement parts for VIKING DESO170](#)



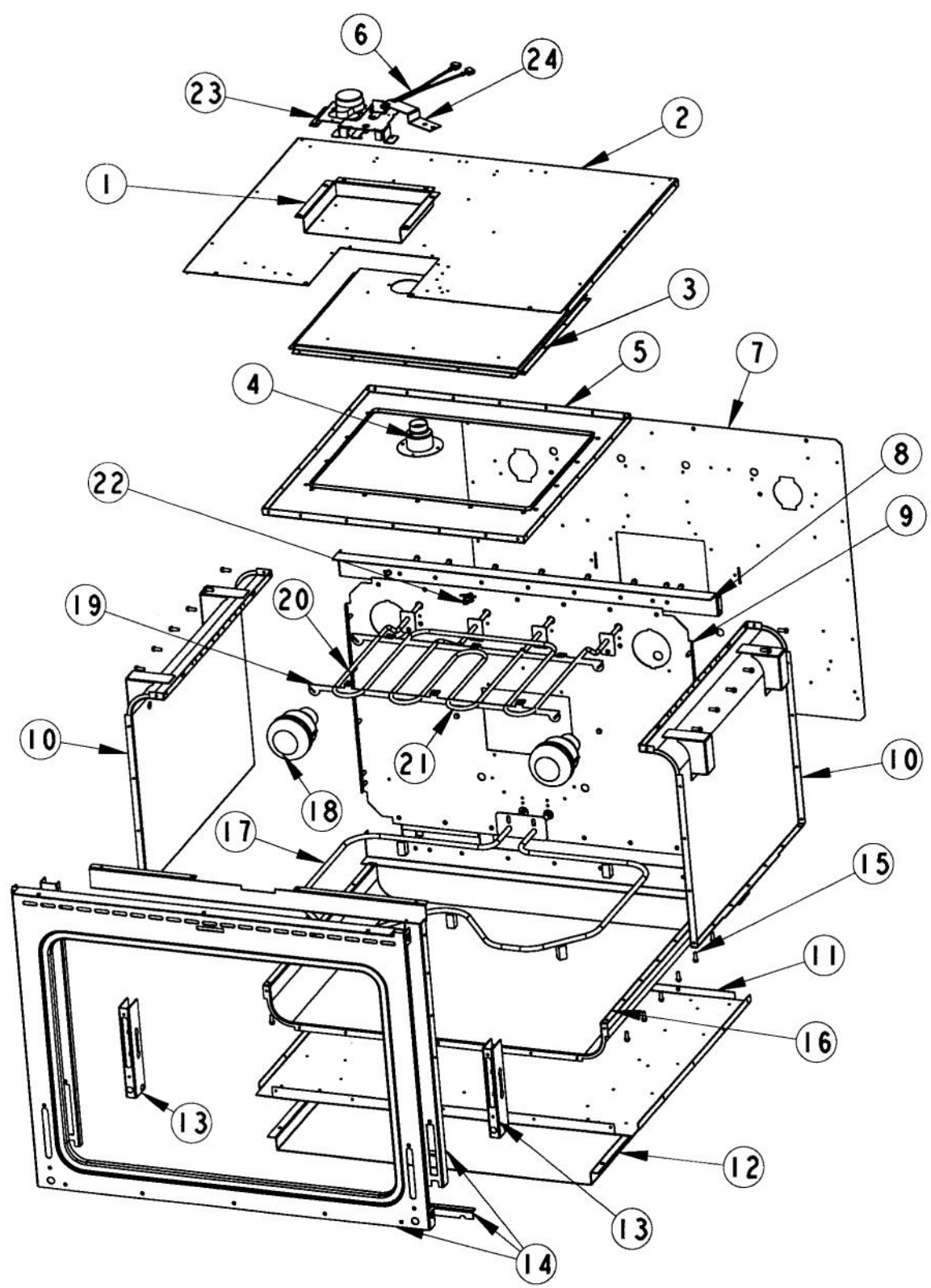
[Find Your VIKING Oven Parts - Select From 98 Models](#)

----- Manual continues below -----

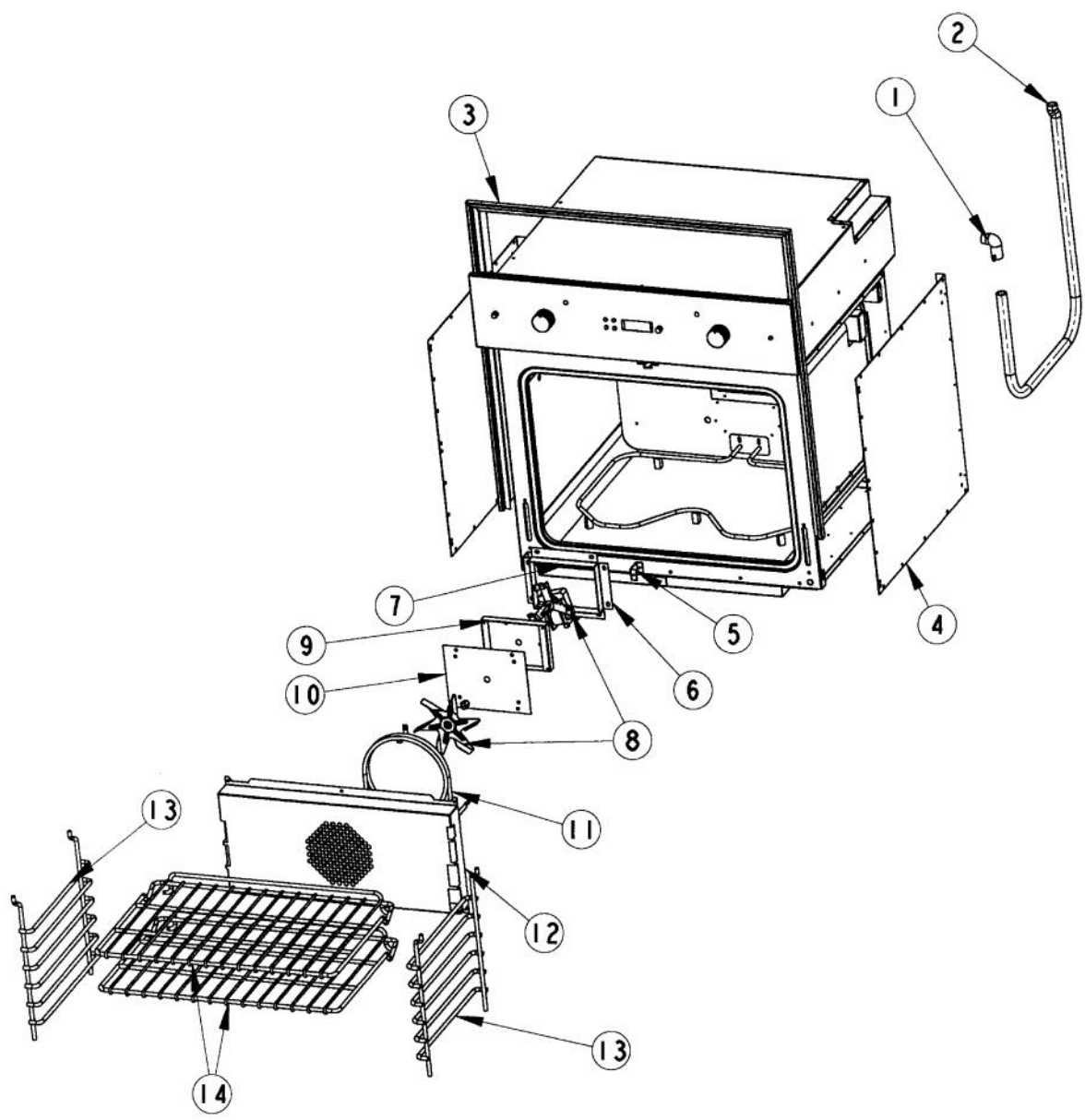


Ref #	Part Number	Qty.	Description
1	A2006143		DESIGNER OVEN CABINET TOP 27
2	A2006191		TOP REAR COVER DESO170
3	A2002966		TOP CHANNEL (VESO105)
4	A2006171		CABINET SIDE RH
5	PE070147		TERMINAL BLOCK
6	PD040005		SNAP BUSHING - 7/8
7	A2006095		SANDWICH PANEL BOTTOM 27
8	A2006097		SANDWICH PANEL TOP 27
9	A2006185		FRONT SANDWICH PANEL ANGLE 27
10	G4008423		DESIGNER OVEN LIGHT SWITCH ASSY
11	A2006101		OVEN LIGHT SWITCH BRACKET
12	PJ030037		SUB TO PS500033 - SELF CLEAN THERMOSTAT
13	A2006144		CONTROL MOUNT BRACKET
14	B9206141		CONTROL PANEL - DESO 170 (SS) (BEFORE 3/01/02)
	C9206141BK		CTRL PAN DESO170 XBKX SLK. SC. (BEFORE 3/01/02)
	C9206141BT		CTRL PAN DESO170 XBTX SLK. SC. (BEFORE 3/01/02)
	C9206141GG		CTRL PAN DESO170 XGGX SLK. SC. (BEFORE 3/01/02)
	C9206141SG		CTRL PAN DESO170 XSGX SLK. SC. (BEFORE 3/01/02)
	C9206141WH		CTRL PAN DESO170 XWHX SLK. SC. (BEFORE 3/01/02)
	B9207961		CONTROL PANEL 27 SGL (AFTER 3/01/02)
	C9207961BK		CTRL PANEL 27 SGL XBKX SLK. SC. (AFTER 3/01/02)
	C9207961BT		CTRL PANEL 27 SGL XBTX SLK. SC. (AFTER 3/01/02)
	C9207961GG		CTRL PANEL 27 SGL XGGX SLK. SC. (AFTER 3/01/02)
	C9207961SG		CTRL PANEL 27 SGL XSGX SLK. SC. (AFTER 3/01/02)
	C9207961WH		CTRL PANEL 27 SGL XWHX SLK. SC. (AFTER 3/01/02)
15	PA010093		DESIGNER OVEN LT SWITCH KNOB
	PA010093PVD		DESIGNER OVEN LT SWITCH KNOB-BRASS
16	PB010196		DESIGNER THERMOSTAT KNOB
	PB010196PVD		DESIGNER THERMOSTAT KNOB W/BRASS
	PB010204		DESIGNER THERMOSTAT KNOB - GRAY
	PB010204PVD		DESIGNER THERMOSTAT KNOB -BR/GRAY
17	PB010222		DESIGNER BIT GENERATOR KNOB
	PB010222PVD		DESIGNER BIT GENERATOR KNOB-BRASS
18	PE050073		DESIGNER INDICATOR LT
19	PA010091		SELECTOR KNOB - BK
	PA010091PVD		DESIGNER SELECTOR KNOB - BR
	PA010095		DESIGNER SELECTOR KNOB - GRAY
	PA010095PVD		DESIGNER SELECTOR KNOB-BR/GRAY
20	PA010092		OVEN SELECTOR KNOB - BK
	PA010092PVD		DESIGNER OVEN SELECTOR KNOB - BRASS
21	E9106137		CONTROL MOUNTING PANEL 27
22	A2006100		THREE POSITION SELECTOR BRKT
23	PJ030011		SWITCH (2-POSITION) VESO105
24	A2006123		CABINET SIDE LH
25	A2006109		SELECTOR SWITCH COVER
26	PE050049		CLOCK/TIMER(ROBERTSHAWNO.100-00550-01
27	PJ030001		SELECTOR SWITCH (8-POSITION) VDSC
28	A2006186		POWER RELAY BRACKET

Ref #	Part Number	Qty.	Description
28	A2006186		POWER RELAY BRACKET
29	PM010029		RELAY (DOUBLE POLE-DOUBLE THROW)TEM
30	A1002456		THERMO-DISC BRKT (VDSC)
31	PJ030002		AUTO RESET (SELF-CLEAN) VDSC
32	PM010129		RELAY
33	A2006099		TIMER BOARD BRACKET
34	PD030033		GROMMET NUT-ROUND HD. NO.8 X .500DIA.
35	PE070148		SELF-CLEAN BOARD/TIMER (VDSC)
36	PB010217		DESIGNER CLOCK BUTTON
	PB010217PVD		DESIGNER CLOCK BUTTON- BRASS
37	A2006098		CLOCK MOUNTING BRACKET
38	G5007605		PRE-HEAT BOARD KIT (DESO100/170)
			(BEFORE 1/16/03)
	PE070308		PRE-HEAT BOARD
			(AFTER 1/16/03)
	PE070319		DESO PREHEAT HARNESS
			(AFTER 1/16/03)

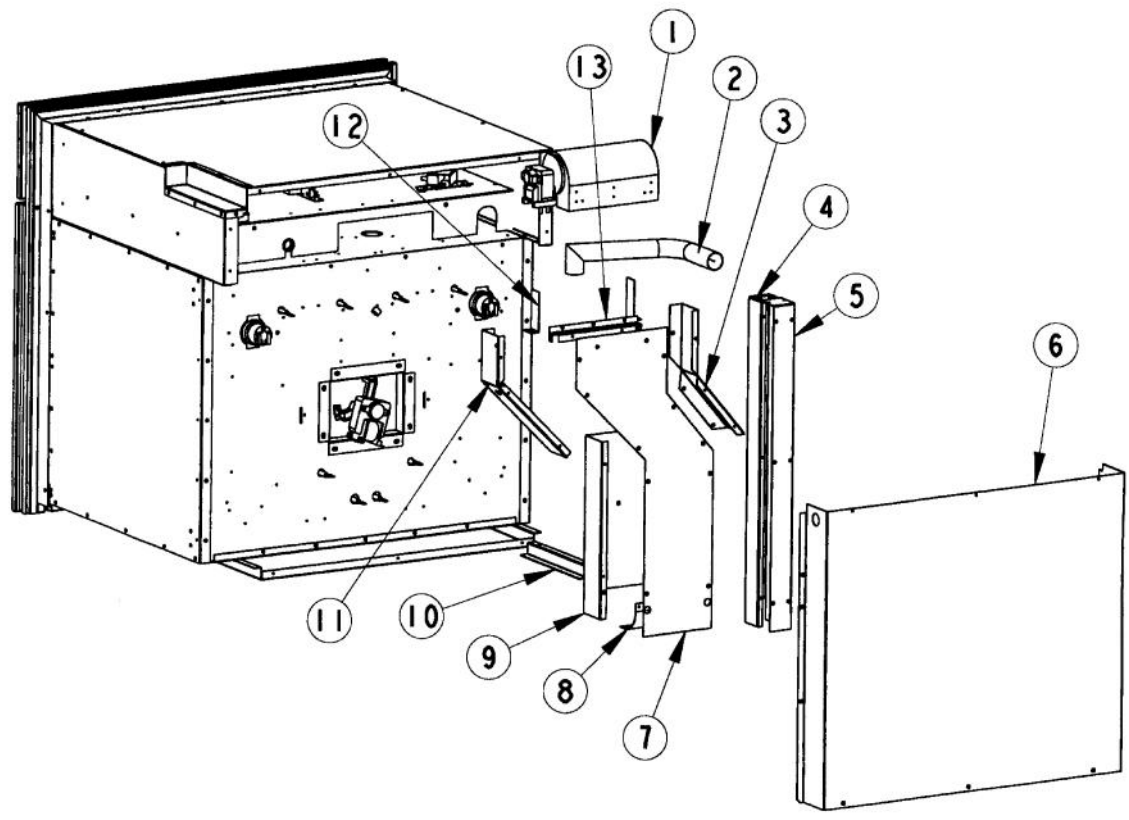


Ref #	Part Number	Qty.	Description
1	A2002168		DOOR LATCH BRKT (VDSC)
2	NOT REPLACEABLE		OVEN CAVITY (NOT REPLACEABLE PART)
3	B2004311		BROILER TOP (27) (VESO176/DO276)
4	PM010014		SMOKE ELIMINATOR (VDSC)
5	E9104302		OVEN TOP (VEDO276/VESO176)
6	PE050059		HI-LIMIT SWITCH
7	NOT REPLACEABLE		OVEN CAVITY (NOT REPLACEABLE PART)
8	A2004307		REAR OVEN SUPPORT (VESO176/DO276)
9	NOT REPLACEABLE		OVEN CAVITY (NOT REPLACEABLE PART)
10	NOT REPLACEABLE		OVEN CAVITY (NOT REPLACEABLE PART)
11	A2004306		BOTTOM INSULATION RETAINER(27OVEN)
12	A2006045		OVEN BOTTOM VENT
13	PC020016		HINGE RECEIVER (VEDO/VEDO)
14	H9106146		27 INCH DESIGNER F.F. ASSEMBLY
15	PD020060		10 X 1/2 (5/16)HEX WSHR HD.(T)A
16	NOT REPLACEABLE		OVEN CAVITY (NOT REPLACEABLE PART)
17	PJ010012		BAKE ELEMENT (VESO176/VEDO276)240V
18	PE050009		OVEN LIGHT SOCKET - 36 BUILT-IN
19	B2004315		BROIL ELEMENT BRKT (VESO176/DO276)
20	PJ010011		OUTSIDE BROIL ELEMENT (27 OVEN)240
21	PJ010001		BROIL ELEMENT 240V
22	PJ030006		SWITCH (COOLING FAN)
23	PE050112		DOOR LATCH
24	A2006102		UPPER VENT BRACKET

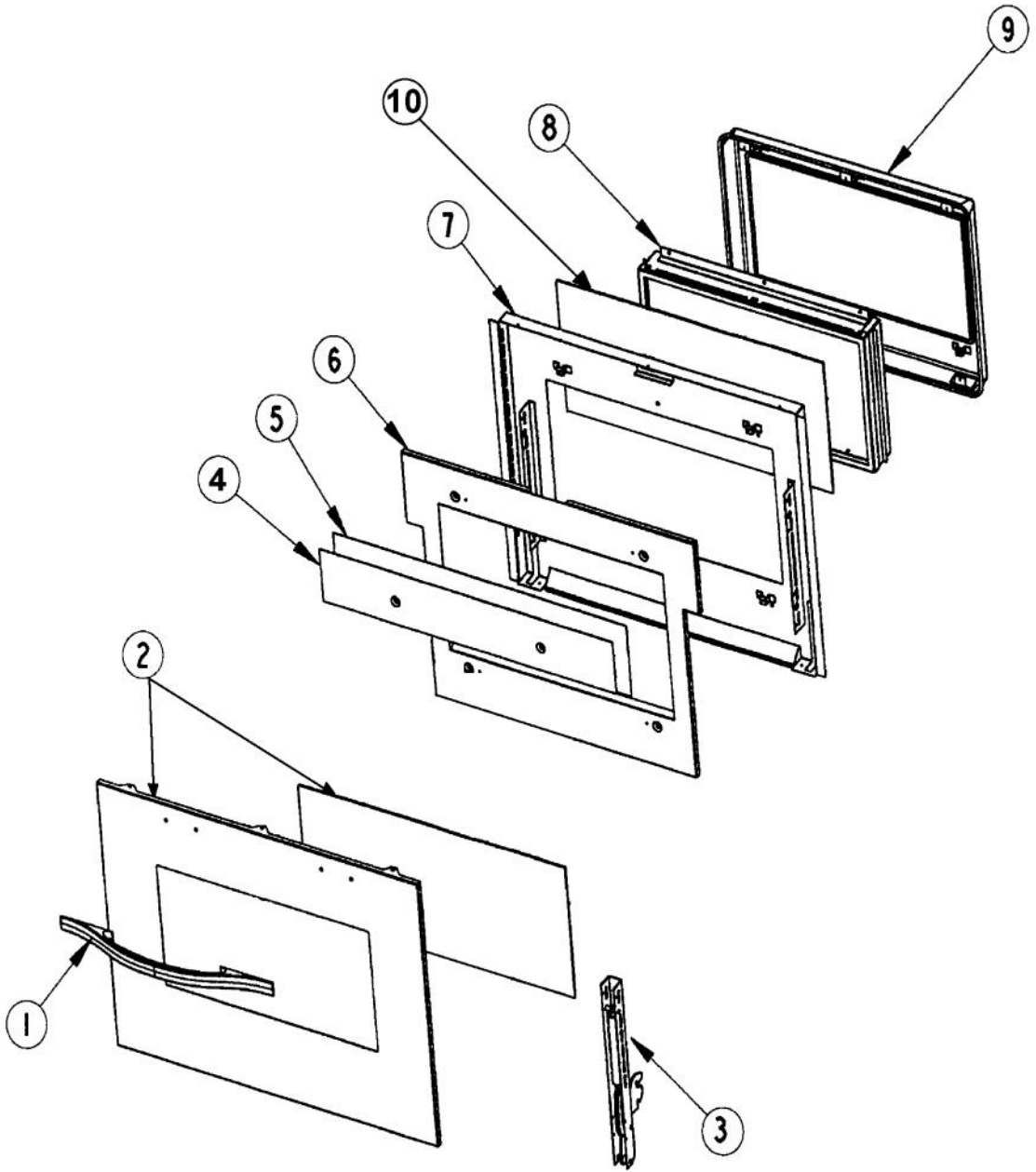


Ref #	Part Number	Qty.	Description
1	PB040070		CONDUIT FITTING (90 DEG)
2	PB020071		CONDUIT - FLEXIBLE (48)
3	G3006127		FRONT TRIM ASSY 27 SINGLE
4	A2002904		SIDE INSULATION RETAINER
5	A2001361		BACK SPACER (VGSC/VGSS)
6	A2001745		FAN INSUL. SHIELD - UPPER / LOWER
7	A2001746		FAN INSUL. SHIELD - SIDE
8	PE050005		CONVECTION FAN ASSY
9	A2002595		CONVECTION FAN BOX (VDSC)
10	A1002596		CONVECTION FAN COVER (VDSC)
11	PJ010003		CONVECTION ELEMENT (VDSC) 240V
12	G9104316		CONVECTION FAN ASSY (VESO176/DO276)
13	PB060030		RACK SUPT REPL PB060010
14	PB060048		OVEN RACK - 27





Ref #	Part Number	Qty.	Description
1	PE050087		BLOWER ASSEMBLY - DESIGNER SERIES
2	PB020117		DESIGNER OVEN VENT
3	A2006324		VENT SIDE LH
4	A2006188		SINGLE OVEN FLUE
5	A2006189		SINGLE OVEN FLUE COVER
6	A2006115		LOWER REAR COVER 27
7	A1006190		SINGLE OVEN COVER PLATE
8	A2006182		AIR SCOOP
9	A2006326		LOWER AIR VENT SINGLE
10	A2006325		LOWER VENT SEPARATOR
11	A2006323		VENT SIDE RH
12	A2006183		AIR GUIDE
13	A2006048		FAN MOUNTING BRACKET



Ref #	Part Number	Qty.	Description
1	PE030165		27 DOOR HANDLE
	PE030165PVD		27 DOOR HANDLE PVD
2	N/Ax		O/S DOOR PANEL ASSY (BEFORE 2/15/02) (BEFORE 2/15/02)
	G5008295BK		O/S DOOR SKIN ASSEMBLY (DESIGN) (AFTER 2/15/02)
	G5008295BT		O/S DOOR SKIN ASSEMBLY (DESIGN) (AFTER 2/15/02)
	G5008295GG		O/S DOOR SKIN ASSEMBLY (DESIGN) (AFTER 2/15/02)
	G5008295SG		O/S DOOR SKIN ASSEMBLY (DESIGN) (AFTER 2/15/02)
	G5008295SS		O/S DOOR SKIN ASSEMBLY (DESIGN) (AFTER 2/15/02)
	G5008295WH		O/S DOOR SKIN ASSEMBLY (DESIGN) (AFTER 2/15/02)
3	N/Ax		O/S DOOR PANEL ASSY (BEFORE 2/15/02) (BEFORE 2/15/02)
	PC020139		DESIGNER DOOR HINGE (AFTER 2/15/02) (AFTER 2/15/02)
4	A1006198		OUTER DOOR HEAT SHEILD 27
5	A1006197		INNER DOOR HEAT SHEILD 27
6	A2006007		27 DOOR INSULATION RETAINER
NI	PB070041		SUB TO 000623-000 - DOOR GASKET(3/8DIA.) (VDSC)
7	H9106002		SUB COMPLETE DOOR ASSY (BEFORE 2/15/02)
	G50010119		DESO170/175/DEDO270/275 DR LINER SVC-KIT (AFTER 2/15/02)
8	N/Ax		O/S DOOR PANEL ASSY (BEFORE 2/15/02) (BEFORE 7/20/01)
	H3006155		27 INNER GLASS PK FRAME ASSY (AFTER 7/20/01)
9	G50010119		DESO170/175/DEDO270/275 DR LINER SVC-KIT
10	PE060056		27 GLASS PACK GLASS H.T.
NI	PB070092		BOARD INSULATION 27
NI	N/Ax		O/S DOOR PANEL ASSY (BEFORE 2/15/02) (BEFORE 2/15/02)
	G3207968BK		DOOR ASSY XBKX (DEDO270/DESO170) (AFTER 2/15/02)
	G3207968BKBR		COMPLETE DOOR ASSY - BKBR (AFTER 2/15/02) (AFTER 2/15/02)
	G3207968BT		DOOR ASSY XBTX (DEDO270/DESO170) (AFTER 2/15/02)
	G3207968BTBR		COMPLETE DOOR ASSY - BTBR (AFTER 2/15/02) (AFTER 2/15/02)
	G3207968GG		DOOR ASSY XGGX (DEDO270/DESO170) (AFTER 2/15/02)
	G3207968GGBR		COMPLETE DOOR ASSY - GGBR (AFTER 2/15/02) (AFTER 2/15/02)
	G3207968SG		DOOR ASSY XSGX (DEDO270/DESO170) (AFTER 2/15/02)
	G3207968SGBR		DOOR ASSY XSGXBRX (DEDO270/DESO170) (AFTER 2/15/02)
	G3207968SS		DOOR ASSY XSSX (DEDO270/DESO170) (AFTER 2/15/02)
	G3207968SSBR		COMPLETE DOOR ASSY - SSBR (AFTER 2/15/02) (AFTER 2/15/02)
	G3207968WH		DOOR ASSY XWHX (DEDO270/DESO170) (AFTER 2/15/02)
	G3207968WHBR		COMPLETE DOOR ASSY - WHBR (AFTER 2/15/02)

Ref #	Part Number	Qty.	Description
	G3207968WHBR		COMPLETE DOOR ASSY - WHBR (AFTER 2/15/02) (AFTER 2/15/02)
NI	PD020032		SRW-8(A)X3/8PH.WFR HD 7/16DIAXNICL
NI	B1007234		HINGE TRIM REPL B2102963 2 EA (BEFORE 2/15/02)
	B1007913		HINGE CLIP (DESIGNER TIME PIECE) (AFTER 2/15/02)