

This Owner's Manual is provided and hosted by [Appliance Factory Parts](#).



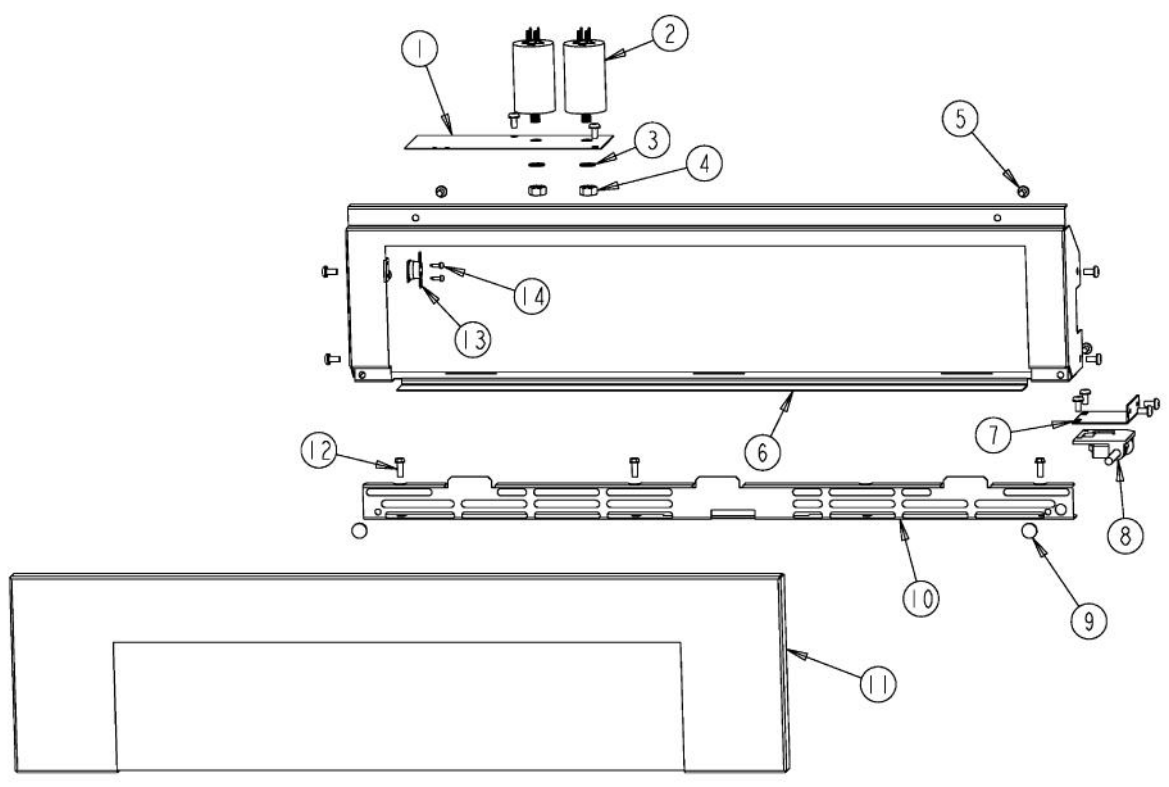
VIKING DESO527T Owner's Manual

[Shop genuine replacement parts for VIKING DESO527T](#)

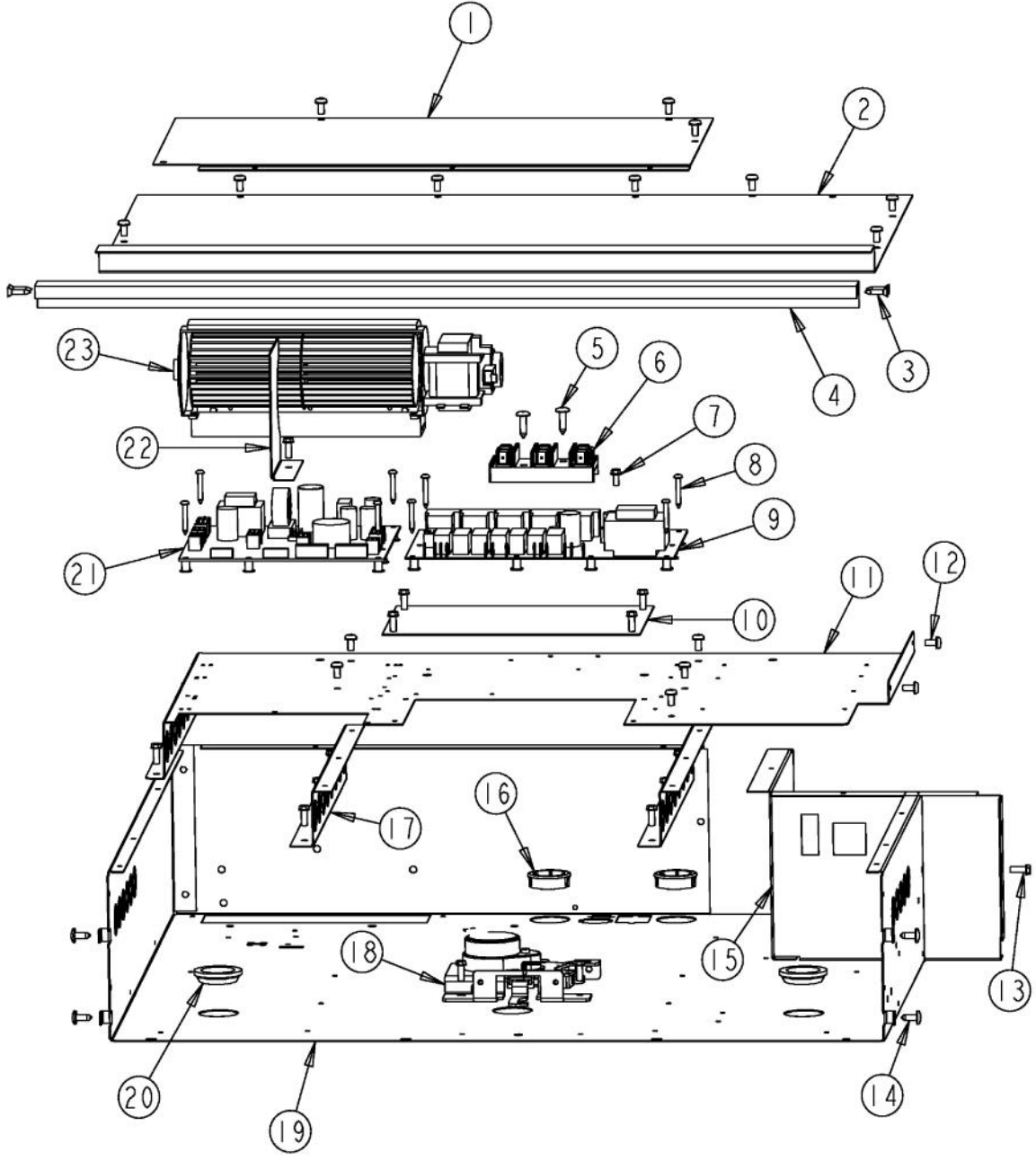


[Find Your VIKING Oven Parts - Select From 98 Models](#)

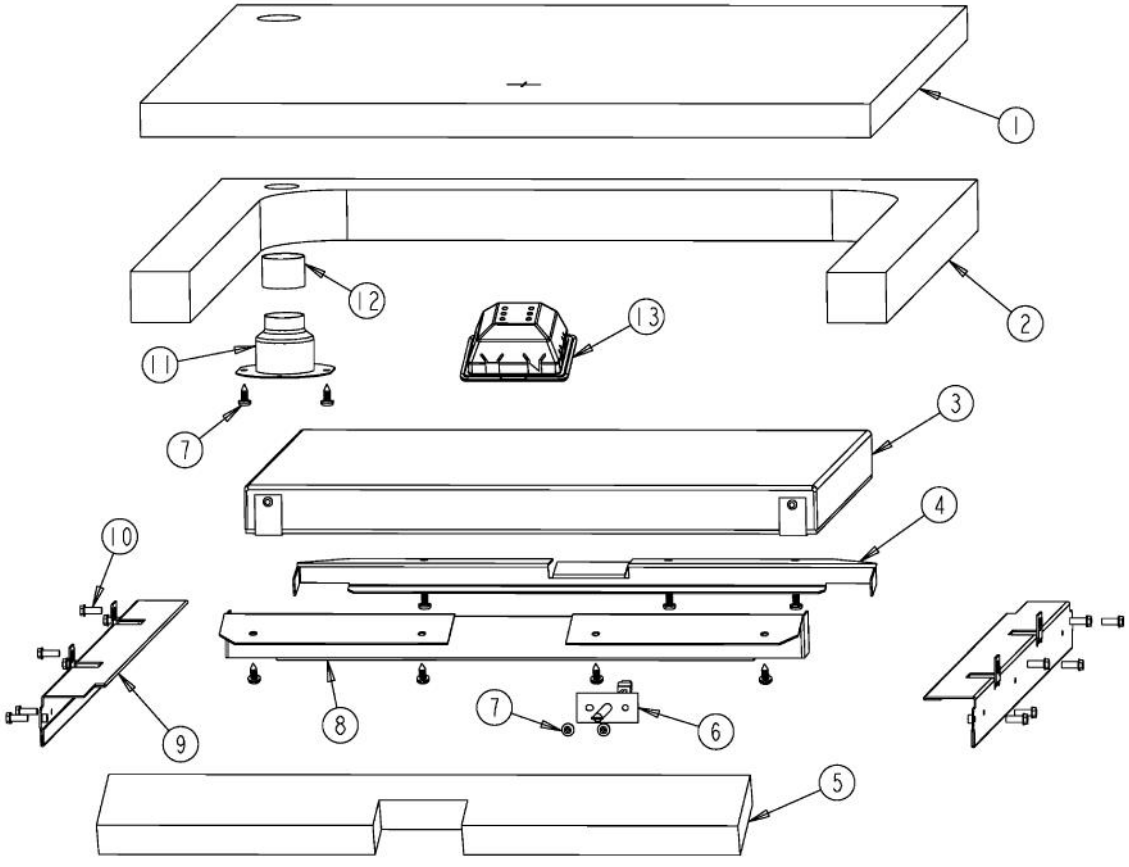
----- Manual continues below -----



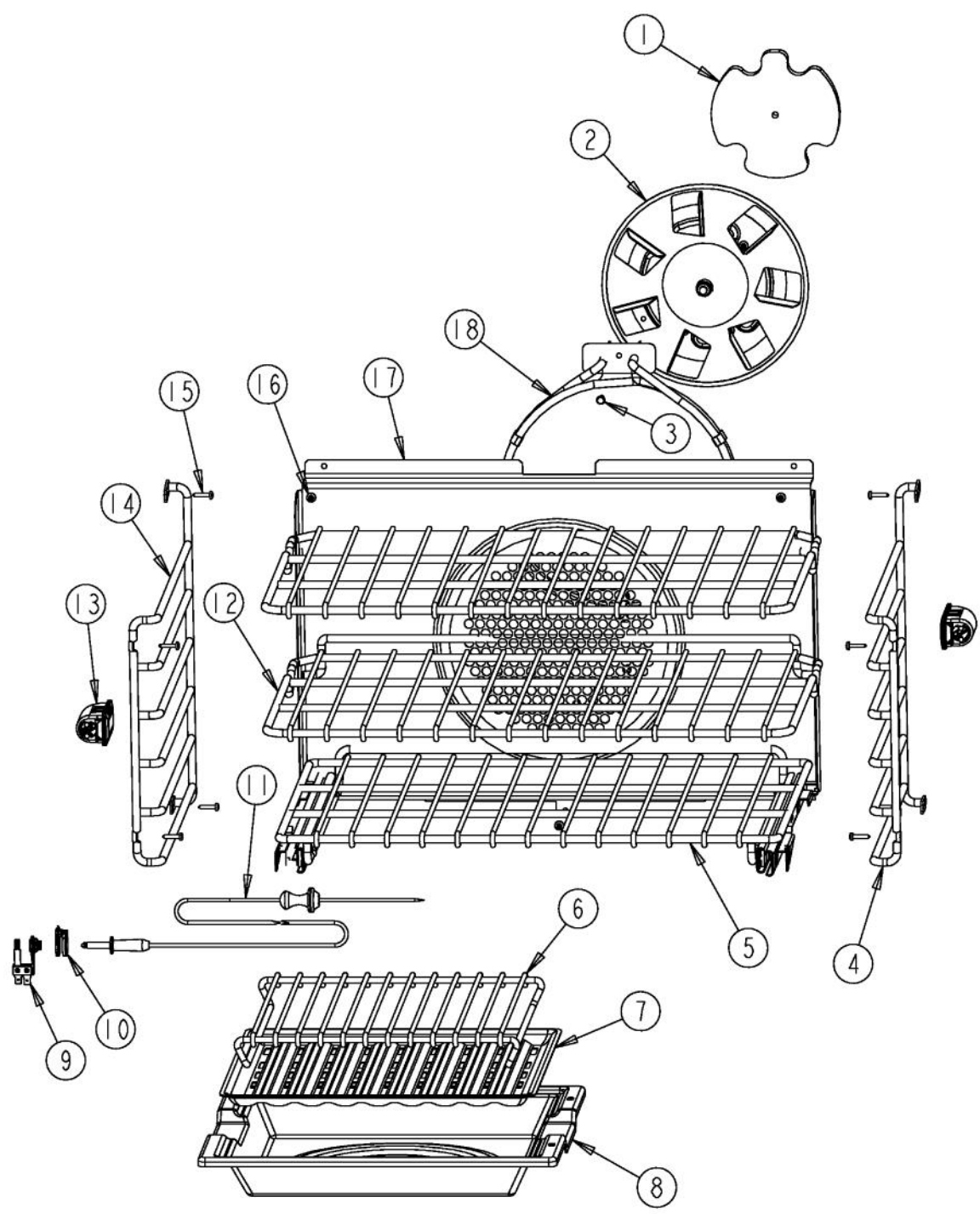
Ref #	Part Number	Qty.	Description
1	A10014028		2 CAPACITOR BRACKET
2	PE050247		EBM FAN MOTOR CAPACITOR
3	PD040164		5/16 INTERNAL TOOTH LOCK WASHER TYPE A
4	PD030172		M8 X 1.25MM NUT
5	PD020004		10X3/8PH.HD.TYPE 25 REPL PD040125
6	A20014023		TOUCH CONTROL MTG. PNL. 27
7	A20012649		DOOR SWITCH BRACKET
8	PE050208		DOOR SWITCH
9	PD040004		GROMMET BUMPER
10	C90014073BK		27 INLET GRILL
11	PS500022BK		27 PREMIERE TOUCH SINGLE CONTROL PANEL ASSEMBLY...
11	PS500022BT		27 PREMIERE TOUCH SINGLE CONTROL PANEL ASSEMBLY...
11	PS500022GG		27 PREMIERE TOUCH SINGLE CONTROL PANEL ASSEMBLY...
11	PS500022SG		27 PREMIERE TOUCH SINGLE CONTROL PANEL ASSEMBLY...
11	PS500022SS		27 PREMIERE TOUCH SINGLE CONTROL PANEL ASSEMBLY...
11	PS500022WH		27 PREMIERE TOUCH SINGLE CONTROL PANEL ASSEMBLY...
12	PD020060		10 X 1/2 (5/16)HEX WSHR HD.(T)A
13	PJ030043		BI-METAL THERMOSTAT (N.C.) 180 DEGREES
14	PD020013		TYPE AB NO.6 X 3/8 PH PAN HD. SMS



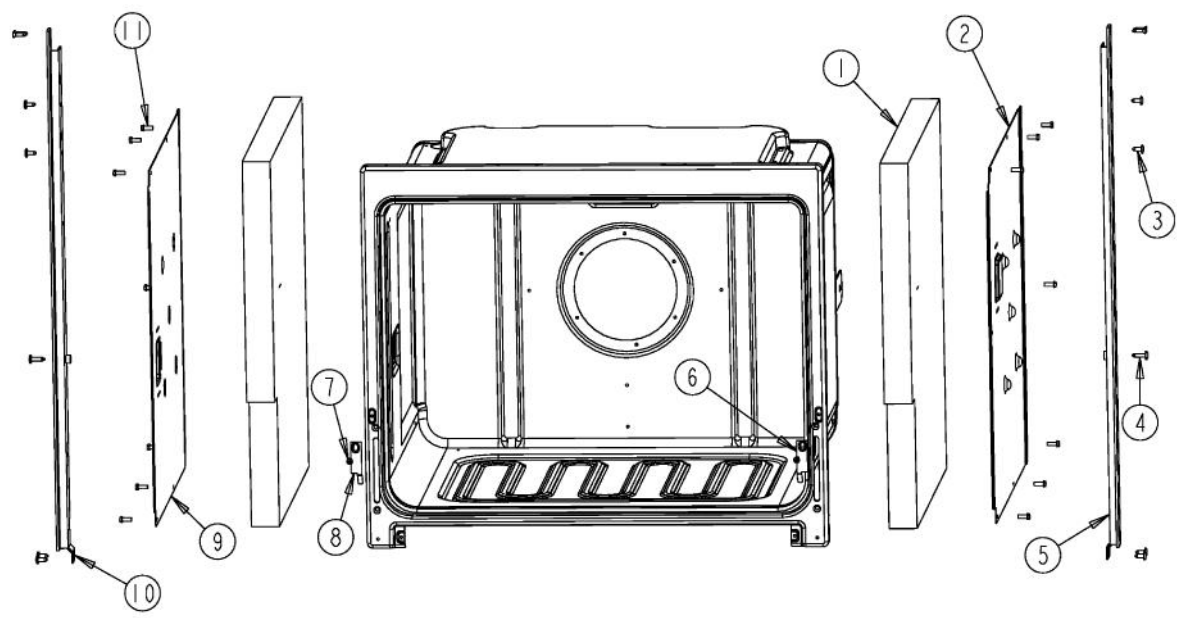
Ref #	Part Number	Qty.	Description
1	A20014047		27 REAR COVER
2	A20014046		27 FRONT COVER
3	PD020061		NO.8 X 3/4 FLAT HD TEK. SS.
4	PE040279		27 DES. TOP TRIM
5	PD020014		10X3/4 PH TR HD SMS
6	PE070147		TERMINAL BLOCK
7	PD020010		10 X 3/8 GREEN GROUNDING SCREW
8	PD020185		NO.6 X 1 PAN HEAD SCREW
9	PE050234		RELAY BOARD
10	A10010911		COVER, LATCH
11	A20010935		ELECTRONICS HAT
12	PD020004		10X3/8PH.HD.TYPE 25 REPL PD040125
13	PD020060		10 X 1/2 (5/16)HEX WSHR HD.(T)A
14	PD020002		10 X 1/2 PH.TR.HD.SMS.
15	A20010934		BRACKET, MODULE PAN
16	PD040152		SNAP BUSHING
17	A20010910		BRACKET, SUPPORT, ELECTRONICS HAT
18	PE050210		DOOR LATCH
19	A20010933		MODULE PAN 27
20	PB070079		SILICONE EXTRUSION (DGSU)
21	PE050233		CONTROL BOARD
22	A2009667		REAR AIR DIVIDER
23	PE050250		PREMIUM BLOWER WITH HES



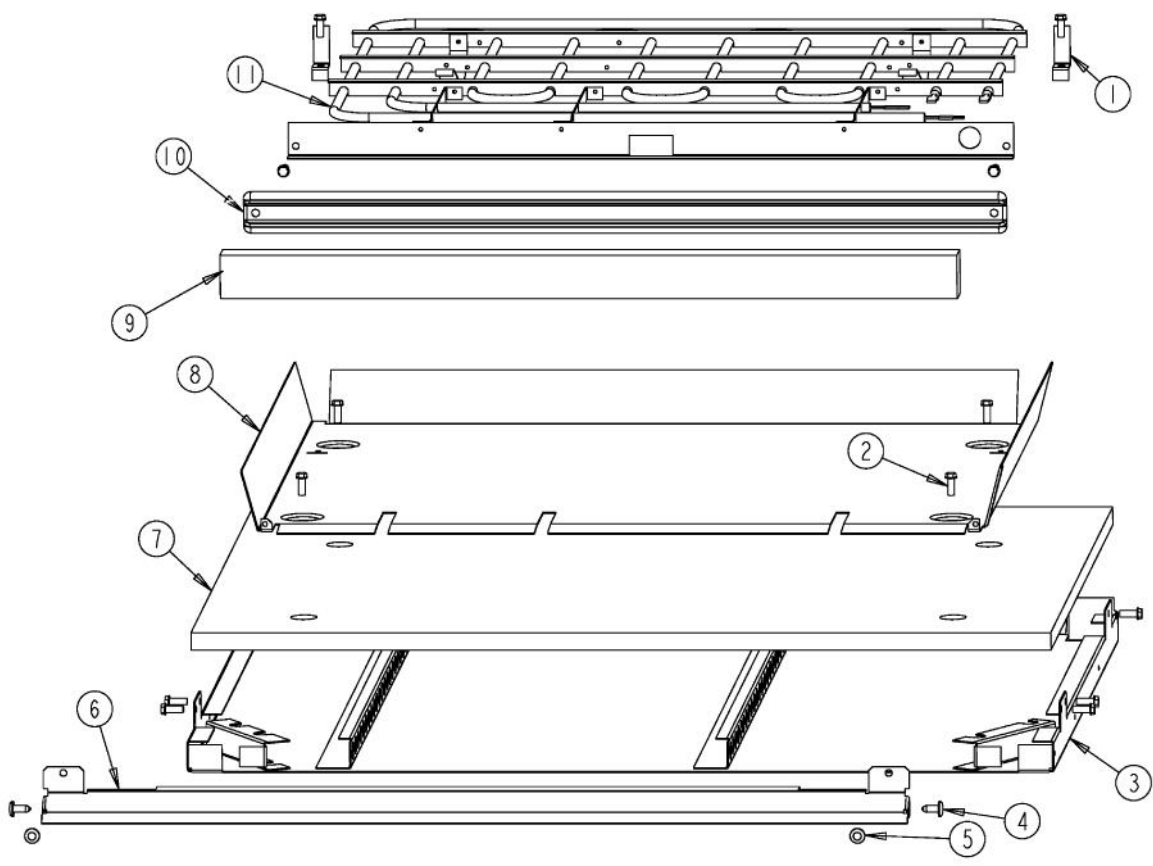
Ref #	Part Number	Qty.	Description
1	PB070307		27 TOP INSULATION
2	PB070306		27 TOP BROIL INSULATION
3	PJ010050		SEALED BROIL ELEMENT W/GLASS
4	B20014051		PREMIERE BROIL ELEMENT BRACKET REAR
5	PB070337		LINER FRONT INSULATION
6	PE050206		RTD THERMOSTAT PROBE
7	PD020055		NO.10 X 1/2 PAN PHIL. TEK. SS
8	B20014050		PREMIERE BROIL ELEMENT BRACKET FRONT
9	A2009641		BRKT, TOP WRAPPER
10	PD020060		10 X 1/2 (5/16)HEX WSHR HD.(T)A
11	PM010014		SMOKE ELIMINATOR (VDSC)
12	PB020275		VENT TUBE
13	PE050239		HALOGEN LAMP



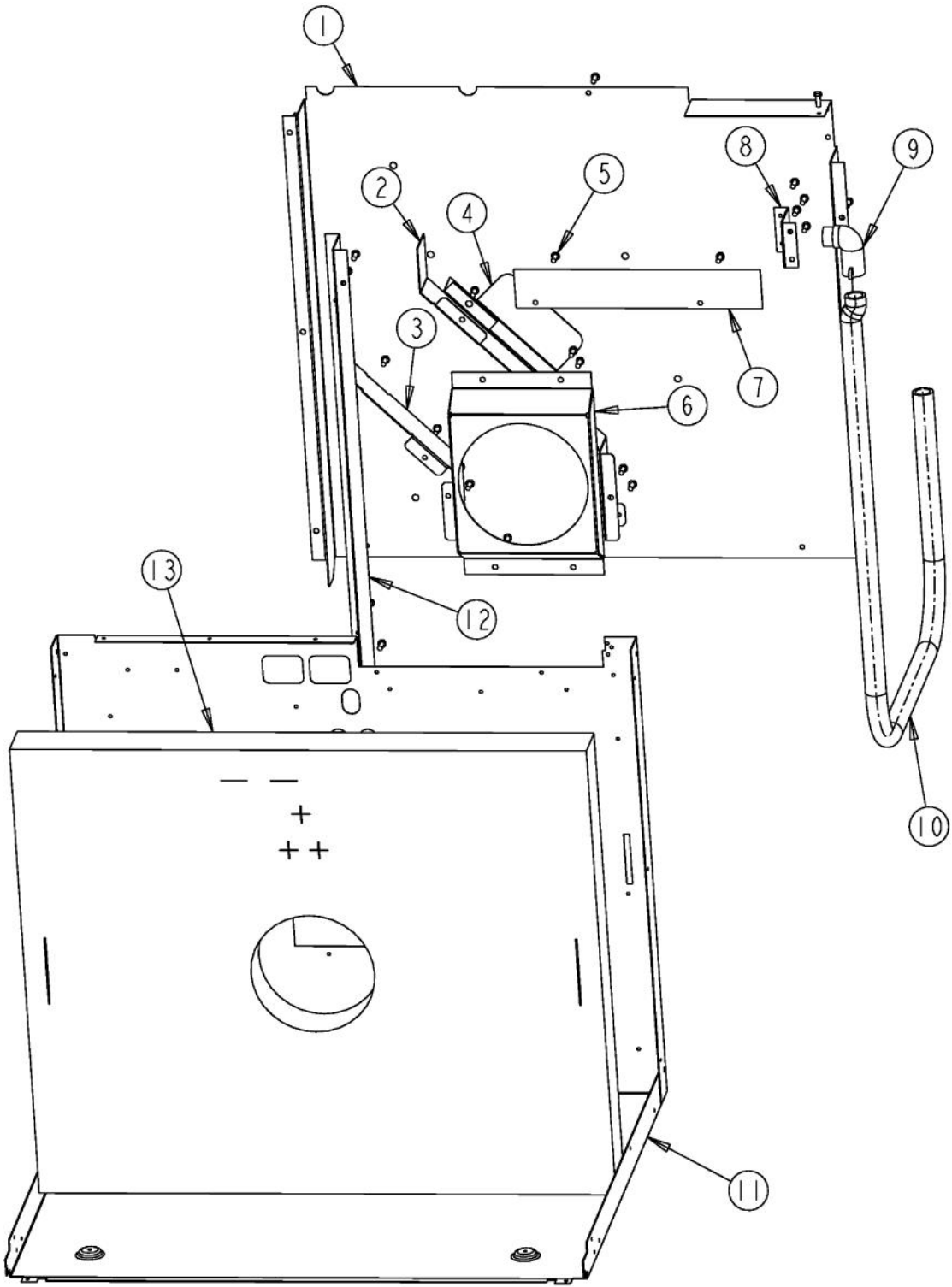
Ref #	Part Number	Qty.	Description
1	PB070312		CONVECTION MOTOR MTG. PLATE INSULATION
2	G32014020		CONVECTION FAN ASSY
3	PD020060		10 X 1/2 (5/16)HEX WSHR HD.(T)A
4	PB060103		RACK SUPPORT RH
5	PB060106		27 SLIDING OVEN RACK
6	PB080020		BROILER PAN RACK
7	E9107934		BROILER PAN INSERT
8	E9107933		BROILER PAN
9	PE050115		MEAT PROBE JACK
10	PM010160		MEAT PROBE JACK COVER
11	PE050114		MEAT PROBE (DESO/DEDO) (SWITCHCRAFT'S PART NO. 4...
12	PB060105		27 OVEN RACK
13	PE050238		120 VOLT SIDE HALOGEN LIGHT
14	PB060104		RACK SUPPORT LH
15	PD020232		NO.8 X 3/4 PH PAN HEAD TEK SCREW (BLACK OXIDE)
16	PD020055		NO.10 X 1/2 PAN PHIL. TEK. SS
17	G91013597		27 BAFFLE ASSEMBLY
18	PJ010047		CONVECTION ELEMENT



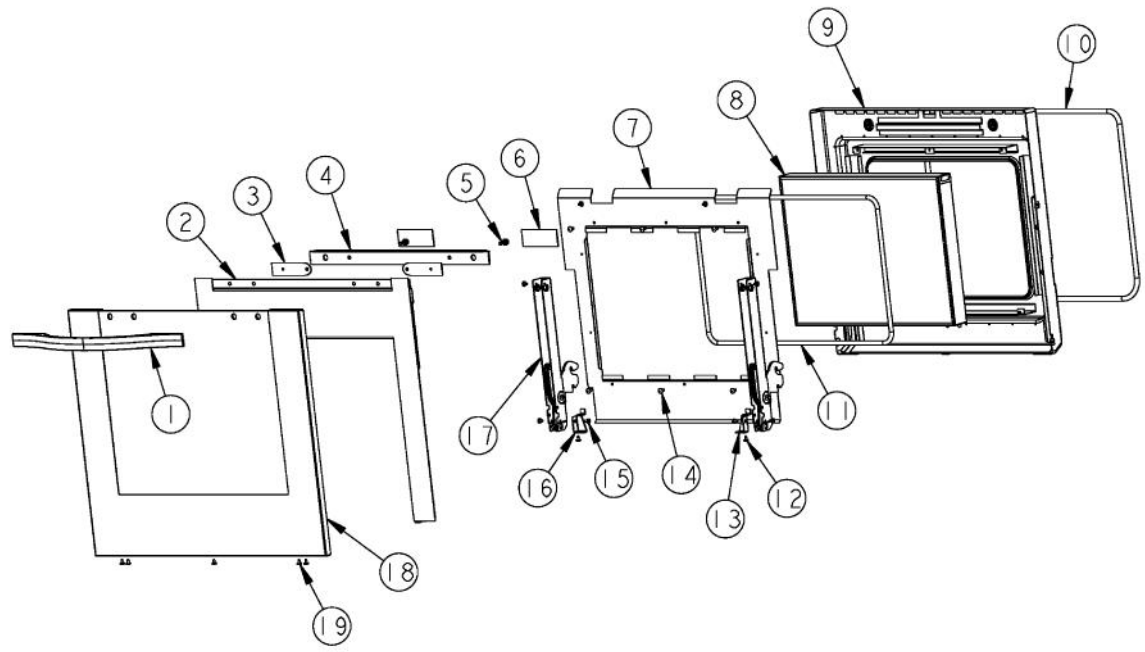
Ref #	Part Number	Qty.	Description
1	PB070302		SIDE INSULATION
2	A2009622		BRKT, TOP WRAPPER, RIGHT
3	PD020002		10 X 1/2 PH.TR.HD.SMS.
4	PD020014		10X3/4 PH TR HD SMS
5	PE040281		DES. SINGLE SIDE TRIM RH
6	B21010915		HINGE CLIP ? RH
7	PD020061		NO.8 X 3/4 FLAT HD TEK. SS.
8	B21010916		HINGE CLIP ? LH
9	A20012650		BRKT, TOP WRAPPER LEFT
10	PE040282		DES. SINGLE SIDE TRIM LH
11	PD020060		10 X 1/2 (5/16)HEX WSHR HD.(T)A



Ref #	Part Number	Qty.	Description
1	A2009696		HOLDER, BAKE ELEMENT
2	PD020060		10 X 1/2 (5/16)HEX WSHR HD.(T)A
3	G30010922		BASE MODULE ASSY 27
4	PD020002		10 X 1/2 PH.TR.HD.SMS.
5	PD020063		SCREW-NO.8(A) X 3/8PH WFR HD/BK OXID
6	C90012822BK		BOTTOM AIR DEFLECTOR 27
7	PB070300		27 BOTTOM INSULATION
8	A20010932		ELEMENT, MTG TRAY
9	PB070309		BAKE ELEMENT INSULATION
10	E9109655		BAKE TRAY COVER
11	PJ010048		BAKE ELEMENT



Ref #	Part Number	Qty.	Description
1	A20010937		PANEL, REAR 27
2	A21010918		BRACKET, AIR, CONVECTION MOTOR
3	A21010919		BRACKET, AIR, CONVECTION MOTOR
4	A20014052		WIRE SHIELD
5	PD020060		10 X 1/2 (5/16)HEX WSHR HD.(T)A
6	A2009697		BRACKET, CONVECTION INSULATION
7	A10010907		COVER, BLOWER
8	A2009671		BRACKET, POWER CABLE
9	PB040070		CONDUIT FITTING (90 DEG)
10	PB020071		CONDUIT - FLEXIBLE (48)
11	A20010931		BASE, BACK WRAPPER, 27
12	A2009666		AIR CHANNEL
13	PB070301		27 BACK INSULATION



Ref #	Part Number	Qty.	Description
1	PE030167 PE030167PVD		30 DOOR HANDLE 30 DOOR HANDLE PVD
2	001498-000		DESIGNER 27`` INSULATION RETAINER KIT
3	PC050002		DESIGNER DOOR HANDLE SPACER
4	PE040285		DESIGNER DOOR TRIM
5	PD020186		1/4-20 X 3/4 HEX WASHER HEAD MS
6	PB070336		DOOR BRACKET INSULATION
7	A20010949		PANEL, INSULATION, INNNER DOOR
8	PE060093		27 WINDOW PACK
9	G91010942		DOOR LINER ASSEMBLY
10	PB070245		27 DOOR GASKET
11	000594-000		BLACK FIBERGLASS ROPE 3/8
12	PD020063		SCREW-NO.8(A) X 3/8PH WFR HD/BK OXID
13	A20012640		HINGE SUPPORT RH
14	PD020002		10 X 1/2 PH.TR.HD.SMS.
15	PD020004		10X3/8PH.HD.TYPE 25 REPL PD040125
16	A20012641		HINGE SUPPORT LH
17	PC020248		DOOR HINGE
18	001453-002		27 IN DES. DOOR SKIN KIT W/LOGO - BK
18	001453-003		27 IN DES. DOOR SKIN KIT W/LOGO - BT
18	001453-005		27 IN DES. DOOR SKIN KIT W/LOGO - GG
18	001453-004		27 IN DES. DOOR SKIN KIT W/LOGO - SG
18	001453-000		27 IN DES. DOOR SKIN KIT W/LOGO - SS
18	001453-006		27 IN DES. DOOR SKIN KIT W/LOGO - WH
19	PD020032		SRW-8(A)X3/8PH.WFR HD 7/16DIAXNICL
NI	G32012811BK		27 DOOR ASSY W/LOGO XBKX
NI	G32012811BKBR		27 DOOR ASSY W/LOGO XBKBRX
NI	G32012811BT		27 DOOR ASSY W/LOGO XBTX
NI	G32012811BTBR		27 DOOR ASSY W/LOGO XBTBRX
NI	G32012811GG		27 DOOR ASSY W/LOGO XGGX
NI	G32012811GGBR		27 DOOR ASSY W/LOGO XGGBRX
NI	G32012811SG		27 DOOR ASSY W/LOGO XSGX
NI	G32012811SGBR		27 DOOR ASSY W/LOGO XSGBRX
NI	G32012811SS		27 DOOR ASSY W/LOGO
NI	G32012811SSBR		27 DOOR ASSY W/LOGO XSSBRX
NI	G32012811WH		27 DOOR ASSY W/LOGO XWHX
NI	G32012811WHBR		27 DOOR ASSY W/LOGO XWHBRX
NI	017736-000		WINDOW PACK INSULATION KIT

*No Image
Available*

Ref #	Part Number	Qty.	Description
1	PE070845	1	TOUCH CONTROL KEYBOARD HARNESS
2	PE070846	1	TOUCH CONTROL DISPLAY HARNESS