

This Owner's Manual is provided and hosted by [Appliance Factory Parts](#).



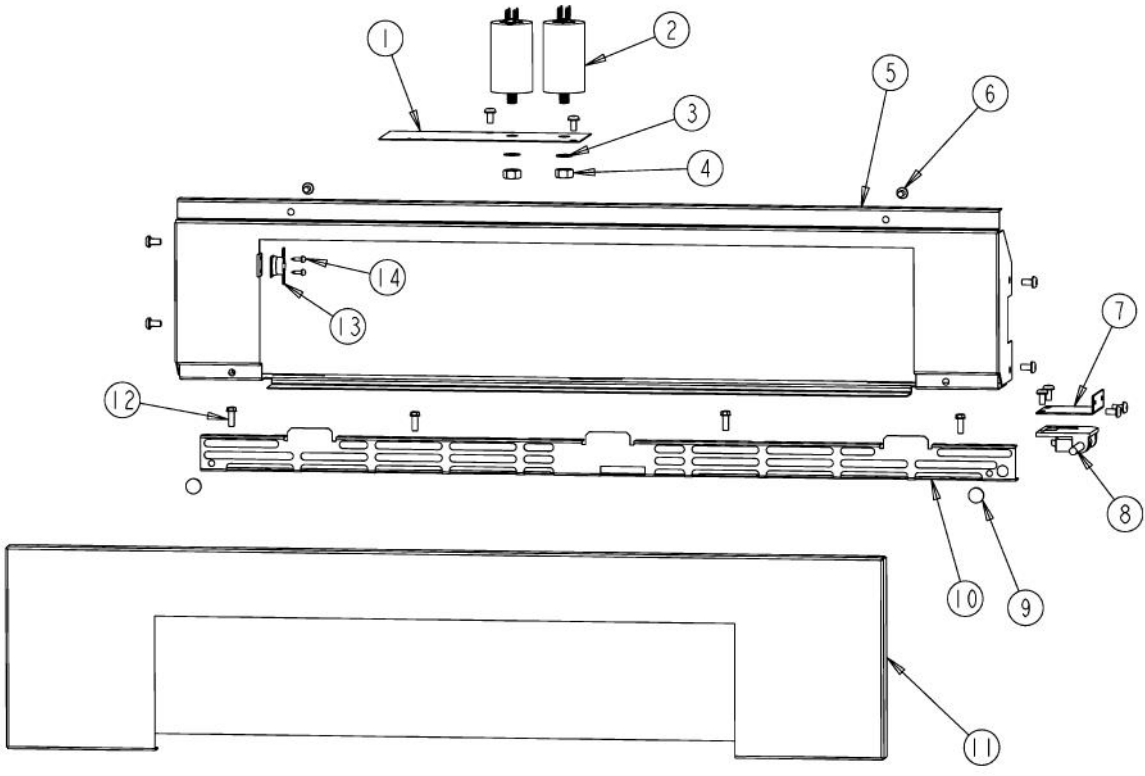
VIKING DESO530T Owner's Manual

[Shop genuine replacement parts for VIKING DESO530T](#)

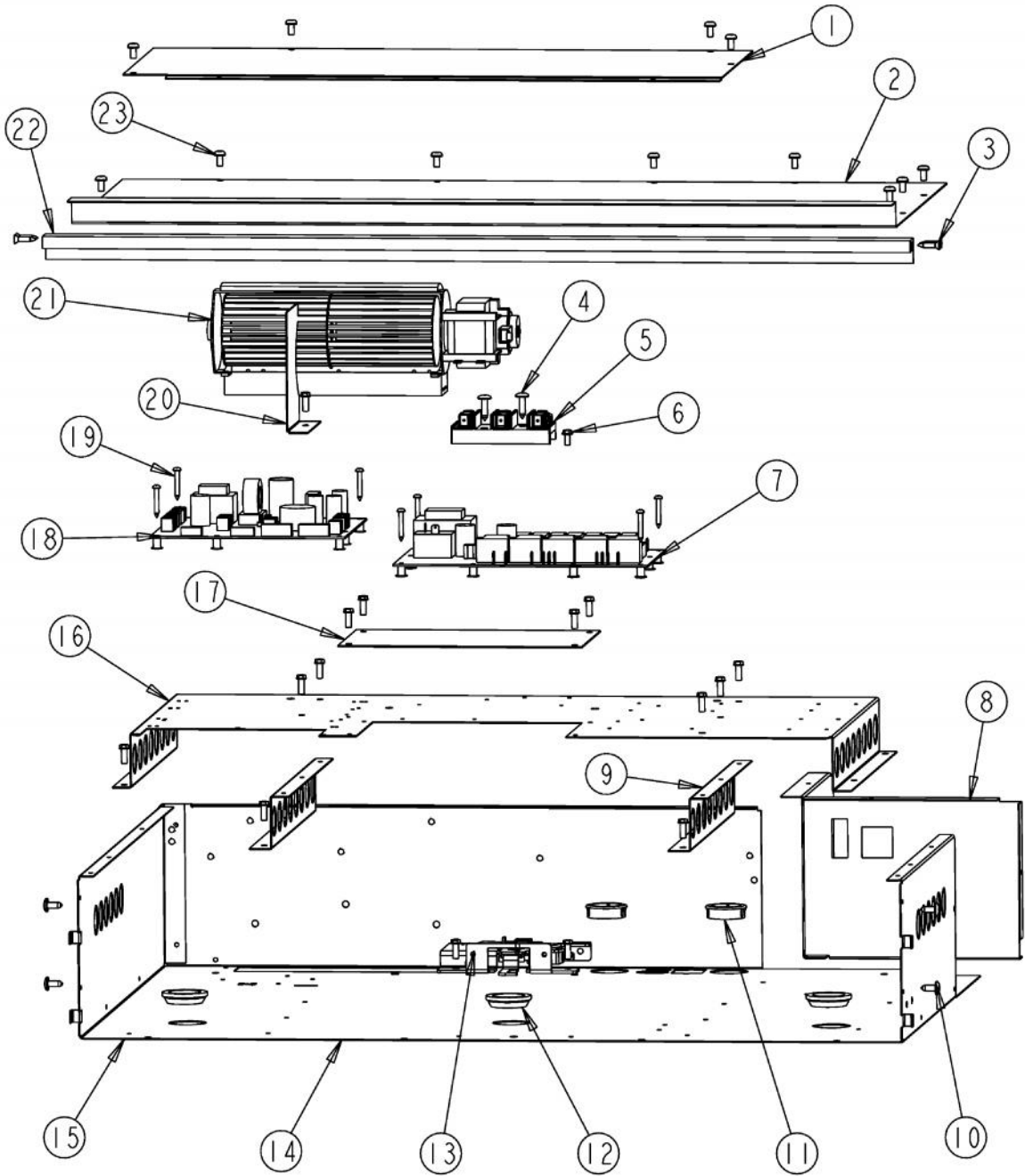


[Find Your VIKING Oven Parts - Select From 98 Models](#)

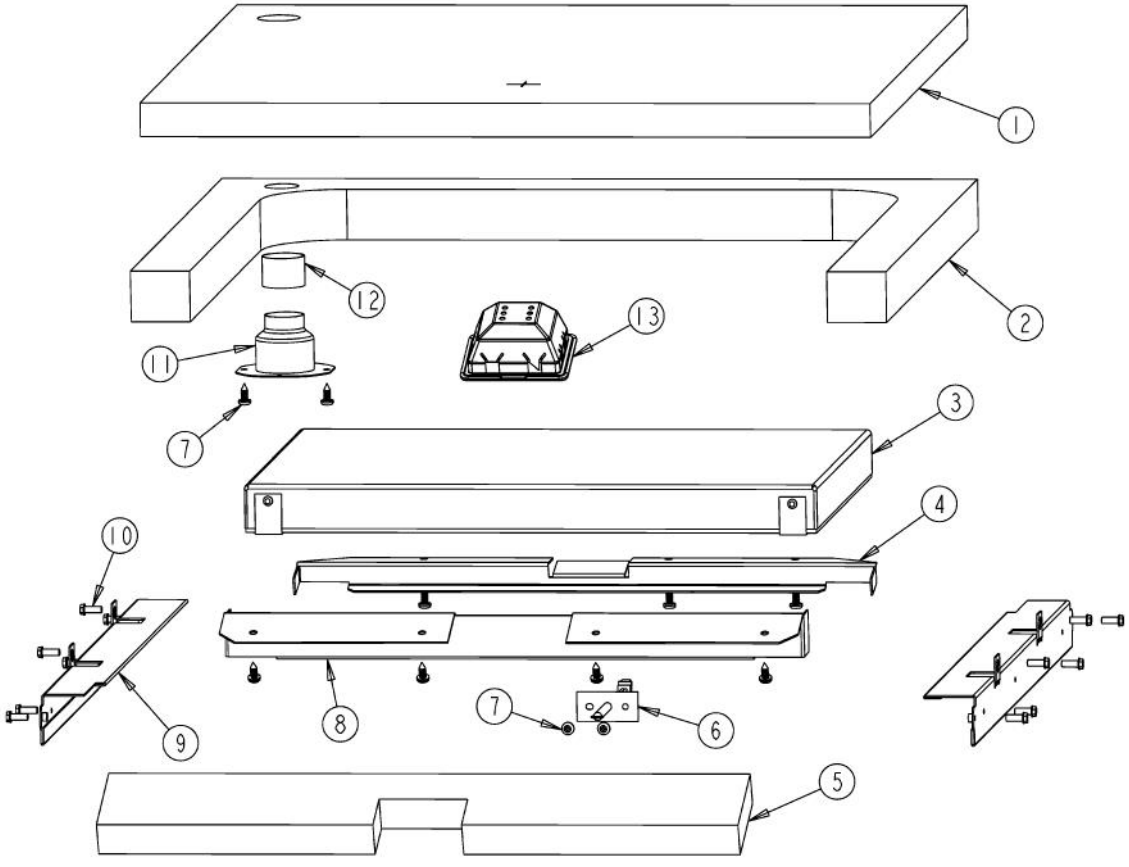
----- Manual continues below -----



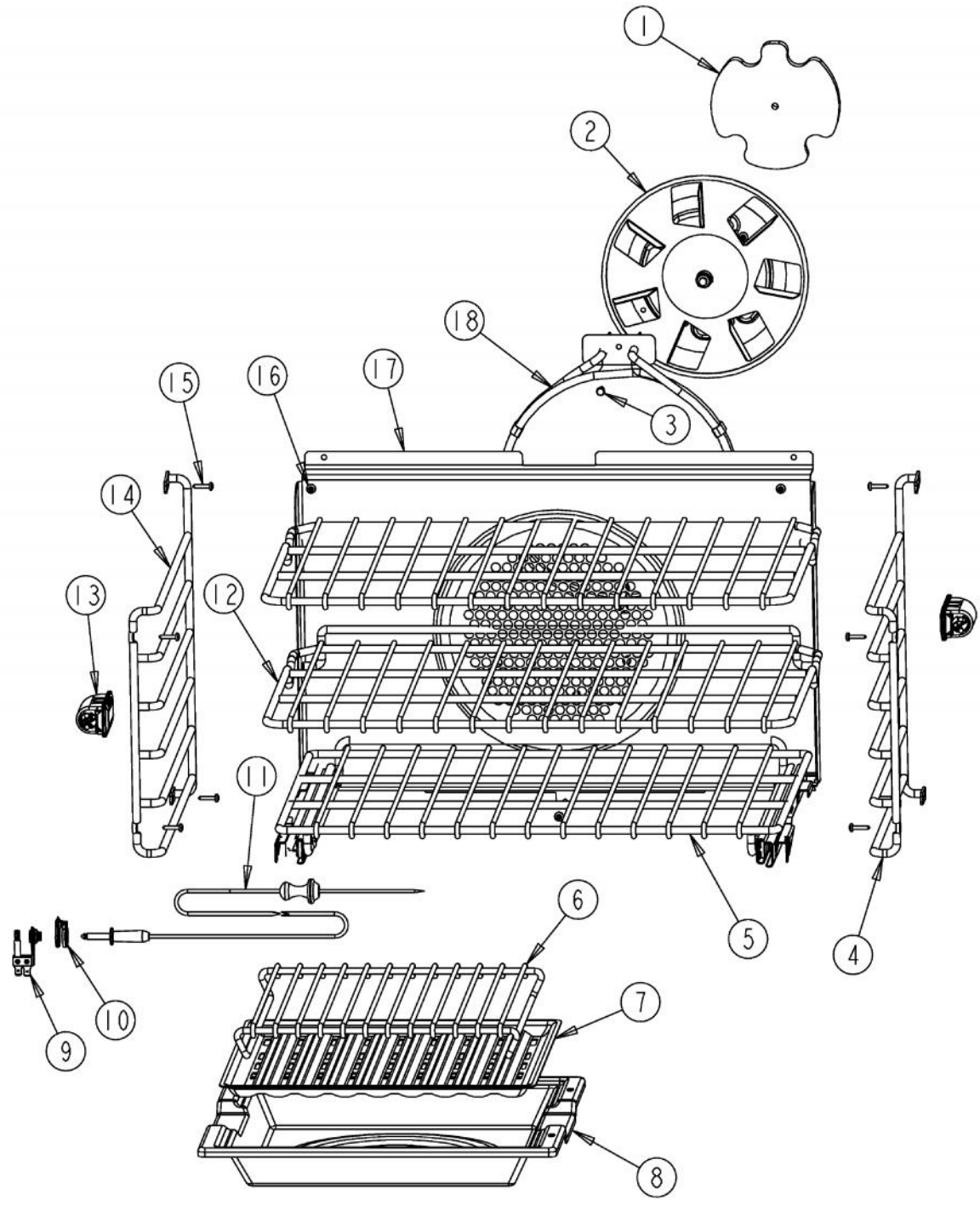
Ref #	Part Number	Qty.	Description
1	A10014028		2 CAPACITOR BRACKET
2	PE050247		EBM FAN MOTOR CAPACITOR
3	PD040164		5/16 INTERNAL TOOTH LOCK WASHER TYPE A
4	PD030172		M8 X 1.25MM NUT
5	A20014023		TOUCH CONTROL MTG. PNL. 27
6	PD020004		10X3/8PH.HD.TYPE 25 REPL PD040125
7	A20012649		DOOR SWITCH BRACKET
8	PE050208		DOOR SWITCH
9	PD040004		GROMMET BUMPER
10	C90014073BK		27 INLET GRILL
11	PS500026BK		30 PREMIERE TOUCH SINGLE CONTROL PANEL ASSEMBLY...
	PS500026BT		30 PREMIERE TOUCH SINGLE CONTROL PANEL ASSEMBLY...
	PS500026GG		30 PREMIERE TOUCH SINGLE CONTROL PANEL ASSEMBLY...
	PS500026SG		30 PREMIERE TOUCH SINGLE CONTROL PANEL ASSEMBLY...
	PS500026SS		30 PREMIERE TOUCH SINGLE CONTROL PANEL ASSEMBLY...
	PS500026WH		30 PREMIERE TOUCH SINGLE CONTROL PANEL ASSEMBLY...
12	PD020060		10 X 1/2 (5/16)HEX WSHR HD.(T)A
13	PJ030043		BI-METAL THERMOSTAT (N.C.) 180 DEGREES
14	PD020013		TYPE AB NO.6 X 3/8 PH PAN HD. SMS



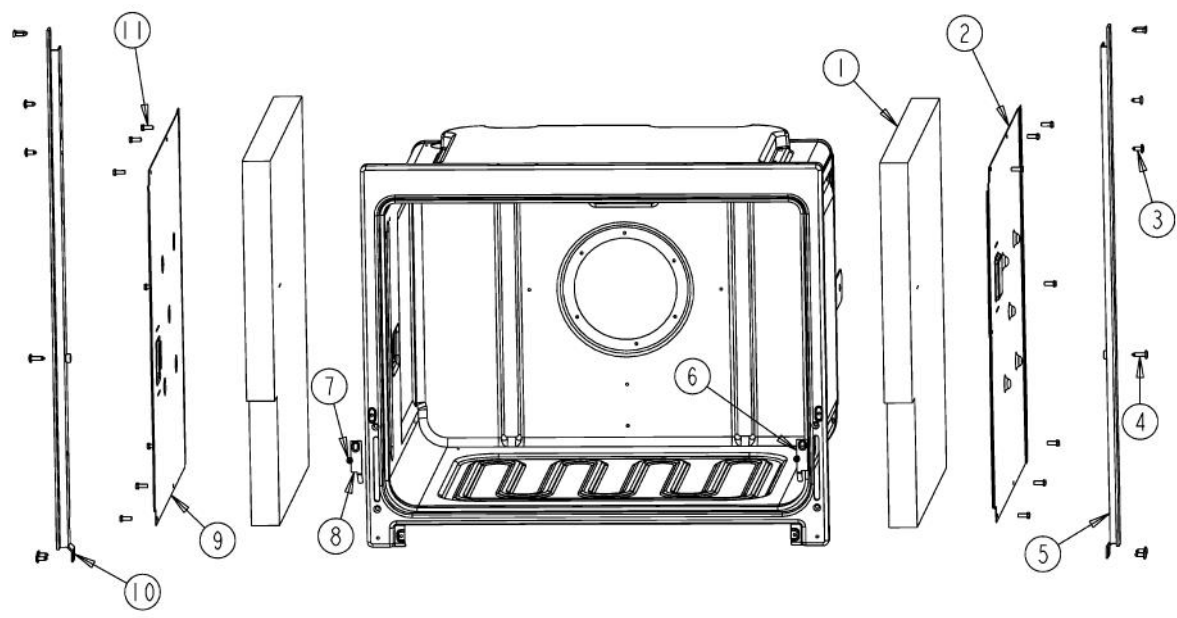
Ref #	Part Number	Qty.	Description
1	A20014049		30 REAR COVER
2	A20014048		30 FRONT COVER
3	PD020061		NO.8 X 3/4 FLAT HD TEK. SS.
4	PD020014		10X3/4 PH TR HD SMS
5	PE070147		TERMINAL BLOCK
6	PD020010		10 X 3/8 GREEN GROUNDING SCREW
7	PE050234		RELAY BOARD
8	A20010934		BRACKET, MODULE PAN
9	A20010910		BRACKET, SUPPORT, ELECTRONICS HAT
10	PD020002		10 X 1/2 PH.TR.HD.SMS.
11	PD040152		SNAP BUSHING
12	PB070079		SILICONE EXTRUSION (DGSU)
13	PE050210		DOOR LATCH
14	A2009643		MODULE PAN, TOP 30
15	PM010160		MEAT PROBE JACK COVER
16	A2009672		ELECTRONICS HAT
17	A10010911		COVER, LATCH
18	PE050233		CONTROL BOARD
19	PD020185		NO.6 X 1 PAN HEAD SCREW
20	A2009667		REAR AIR DIVIDER
21	PE050250		PREMIUM BLOWER WITH HES
22	PE040280		30 DES. TOP TRIM
23	PD020004		10X3/8PH.HD.TYPE 25 REPL PD040125



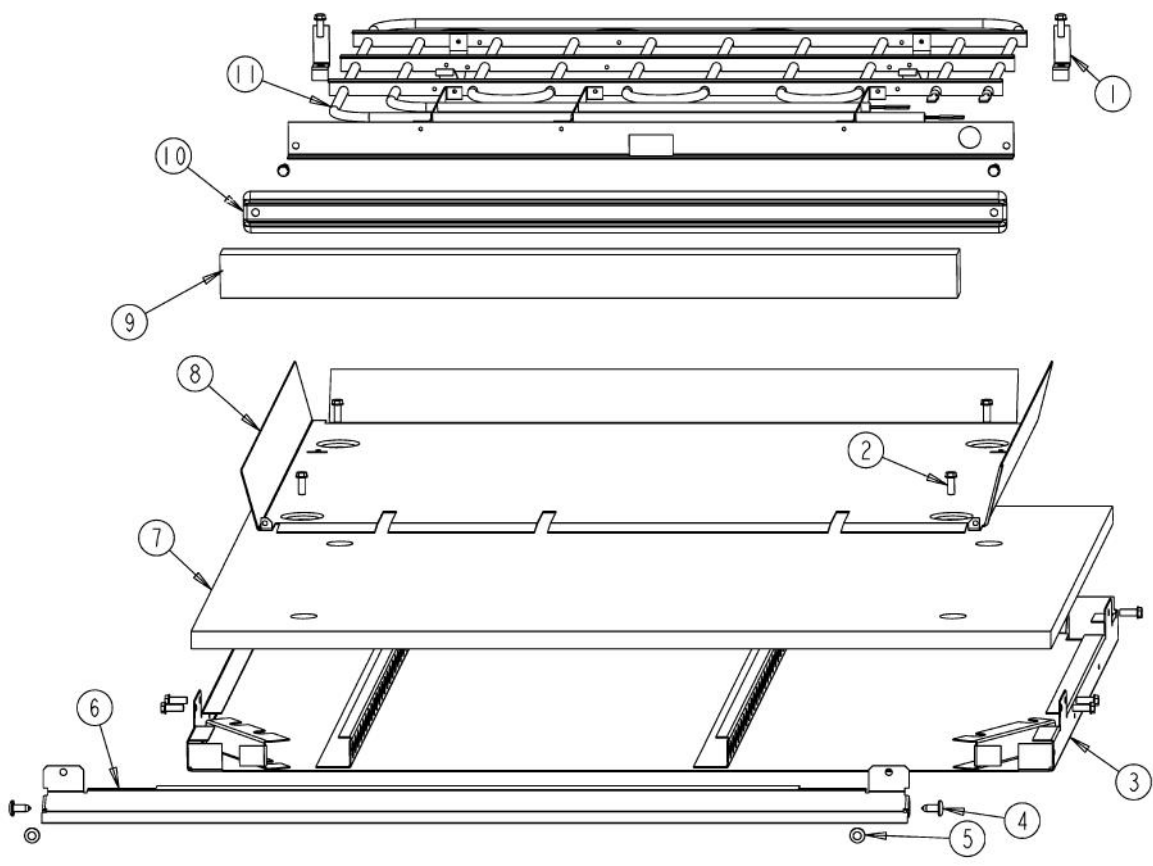
Ref #	Part Number	Qty.	Description
1	PB070308		30 TOP INSULATION
2	PB070305		30 TOP BROIL INSULATION
3	PJ010050		SEALED BROIL ELEMENT W/GLASS
4	B20014051		PREMIERE BROIL ELEMENT BRACKET REAR
5	PB070337		LINER FRONT INSULATION
6	PE050206		RTD THERMOSTAT PROBE
7	PD020055		NO.10 X 1/2 PAN PHIL. TEK. SS
8	B20014050		PREMIERE BROIL ELEMENT BRACKET FRONT
9	A2009641		BRKT, TOP WRAPPER
10	PD020060		10 X 1/2 (5/16)HEX WSHR HD.(T)A
11	PM010014		SMOKE ELIMINATOR (VDSC)
12	PB020275		VENT TUBE
13	PE050239		HALOGEN LAMP



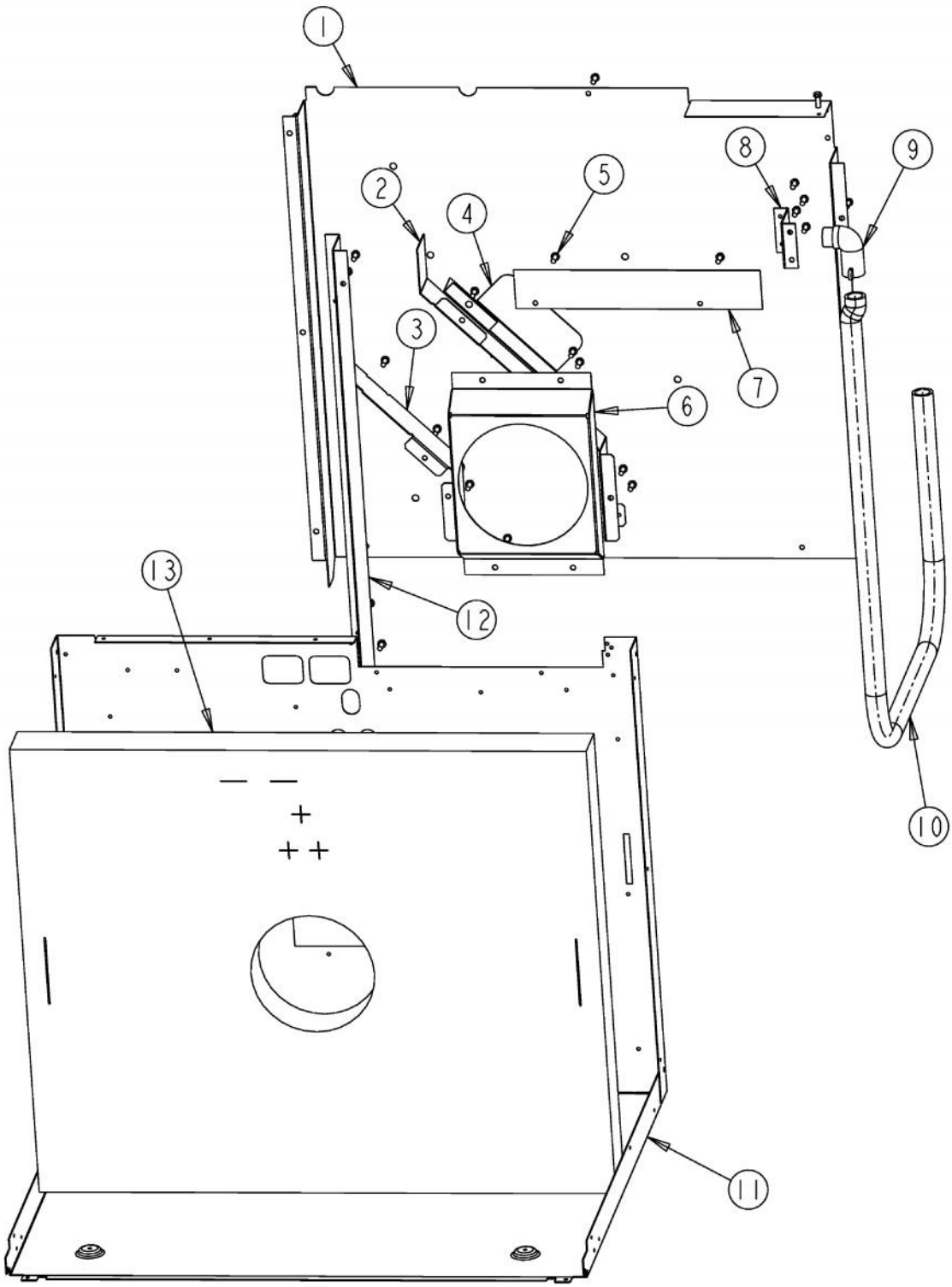
Ref #	Part Number	Qty.	Description
1	PB070312		CONVECTION MOTOR MTG. PLATE INSULATION
2	G32014020		CONVECTION FAN ASSY
3	PD020060		10 X 1/2 (5/16)HEX WSHER HD.(T)A
4	PB060103		RACK SUPPORT RH
5	PB060108		SLIDING OVEN RACK
6	PB080020		BROILER PAN RACK
7	E9107934		BROILER PAN INSERT
8	E9107933		BROILER PAN
9	PE050115		MEAT PROBE JACK
10	PM010160		MEAT PROBE JACK COVER
11	PE050114		MEAT PROBE (DESO/DEDO) (SWITCHCRAFT'S PART NO. 4...
12	PB060107		30 OVEN RACK
13	PE050238		LIGHT ASSEMBLY
14	PB060104		RACK SUPPORT LH
15	PD020232		NO.8 X 3/4 PH PAN HEAD TEK SCREW (BLACK OXIDE)
16	PD020055		NO.10 X 1/2 PAN PHIL. TEK. SS
17	G91013598		30 BAFFLE ASSEMBLY
18	PJ010047		CONVECTION ELEMENT



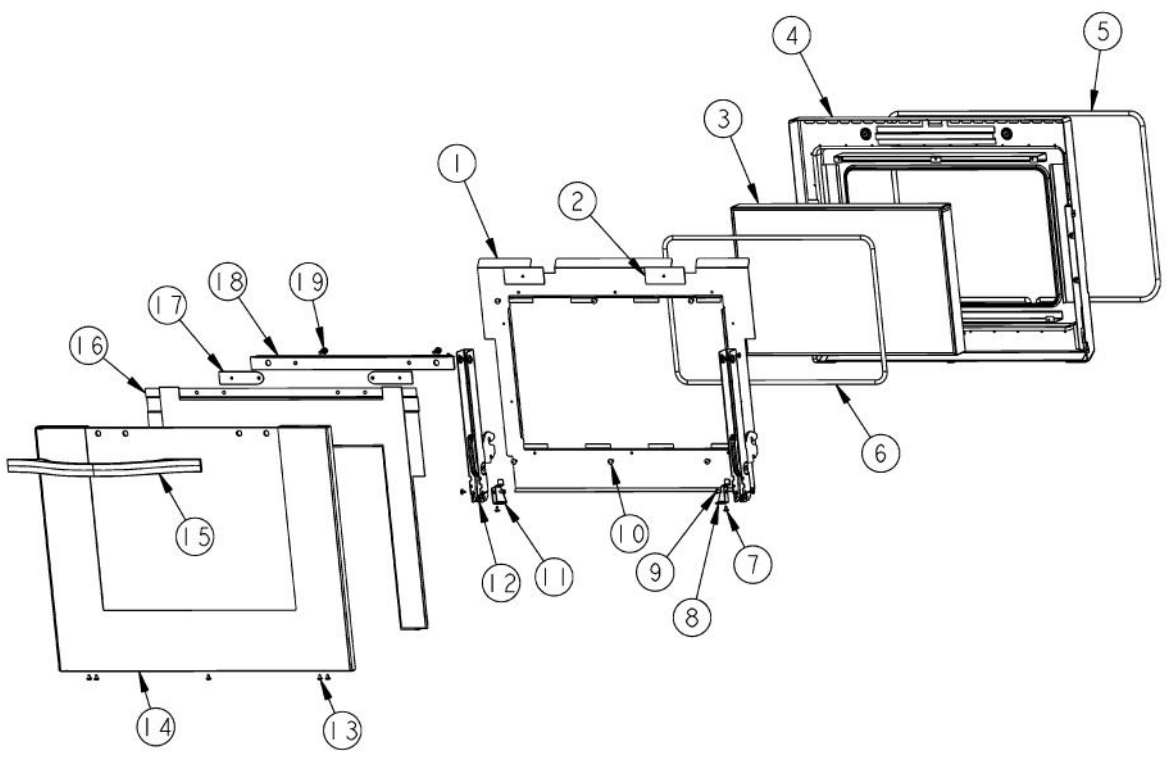
Ref #	Part Number	Qty.	Description
1	PB070302		SIDE INSULATION
2	A2009622		BRKT, TOP WRAPPER, RIGHT
3	PD020002		10 X 1/2 PH.TR.HD.SMS.
4	PD020014		10X3/4 PH TR HD SMS
5	PE040281		DES. SINGLE SIDE TRIM RH
6	B21010915		HINGE CLIP ? RH
7	PD020061		NO.8 X 3/4 FLAT HD TEK. SS.
8	B21010916		HINGE CLIP ? LH
9	A20012650		BRKT, TOP WRAPPER LEFT
10	PE040282		DES. SINGLE SIDE TRIM LH
11	PD020060		10 X 1/2 (5/16)HEX WSHR HD.(T)A



Ref #	Part Number	Qty.	Description
1	A2009696		HOLDER, BAKE ELEMENT
2	PD020060		10 X 1/2 (5/16)HEX WSHR HD.(T)A
3	G3009694		BASE MODULE ASSY 30
4	PD020002		10 X 1/2 PH.TR.HD.SMS.
5	PD020063		SCREW-NO.8(A) X 3/8PH WFR HD/BK OXID
6	C9009676BK		BOTTOM AIR DEFLECTOR 30
7	PB070303		30 BOTTOM INSULATION
8	A20010932		ELEMENT, MTG TRAY
9	PB070309		BAKE ELEMENT INSULATION
10	E2109655		COVER, BAKE TRAY
11	PJ010048		BAKE ELEMENT



Ref #	Part Number	Qty.	Description
1	A2009640		PANEL, REAR 30
2	A21010918		BRACKET, AIR, CONVECTION MOTOR
3	A21010919		BRACKET, AIR, CONVECTION MOTOR
4	A20014052		WIRE SHIELD
5	PD020060		10 X 1/2 (5/16)HEX WSHR HD.(T)A
6	A2009697		BRACKET, CONVECTION INSULATION
7	A10010907		COVER, BLOWER
8	A2009671		BRACKET, POWER CABLE
9	PB040070		CONDUIT FITTING (90 DEG)
10	PB020071		CONDUIT - FLEXIBLE (48)
11	A2009620		BASE, BACK WRAPPER
12	A2009666		AIR CHANNEL
13	PB070304		30 BACK INSULATION



Ref #	Part Number	Qty.	Description
1	A2009632		PANEL, INULATION, INNER DOOR
2	PB070336		DOOR BRACKET INSULATION
3	PE060094		30 WINDOW PACK
4	G9109625		DOOR LINER PORC.
5	PB070246		30 DOOR GASKET
6	000594-000		BLACK FIBERGLASS ROPE 3/8
7	PD020063		SCREW-NO.8(A) X 3/8PH WFR HD/BK OXID
8	A20012640		HINGE SUPPORT RH
9	PD020004		10X3/8PH.HD.TYPE 25 REPL PD040125
10	PD020002		10 X 1/2 PH.TR.HD.SMS.
11	A20012641		HINGE SUPPORT LH
12	PC020220		SUB TO 006070-000 - DOOR HINGE MANSFIELD 30
13	PD020032		SRW-8(A)X3/8PH.WFR HD 7/16DIAXNICL
14	001451-002		30 DES DOOR SKIN KIT W/LOGO - BK
	001451-003		30 DES DOOR SKIN KIT W/LOGO - BT
	001451-005		30 DES DOOR SKIN KIT W/LOGO - GG
	001451-004		30 DES DOOR SKIN KIT W/LOGO - SG
	001451-000		30 DES DOOR SKIN KIT W/LOGO - SS
	001451-006		30 DES DOOR SKIN KIT W/LOGO - WH
15	PE030167		30 DOOR HANDLE
	PE030167PVD		30 DOOR HANDLE PVD
16	001497-000		DESIGNER 30`` INSULATION RETAINER KIT
17	PC050002		DESIGNER DOOR HANDLE SPACER
18	PE040285		DESIGNER DOOR TRIM
19	PD020186		1/4-20 X 3/4 HEX WASHER HEAD MS
No.	G32012750BK		30 DOOR ASSY W/LOGO XBKX
	G32012750BKBR		30 DOOR ASSY W/LOGO XBKBRX
	G32012750BT		30 DOOR ASSY W/LOGO XBTX
	G32012750BTBR		30 DOOR ASSY W/LOGO XBTBRX
	G32012750GG		30 DOOR ASSY W/LOGO XGGX
	G32012750GGBR		30 DOOR ASSY W/LOGO XGGBRX
	G32012750SG		30 DOOR ASSY W/LOGO XSGX
	G32012750SGBR		30 DOOR ASSY W/LOGO XSGBRX
	G32012750SS		30 DOOR ASSY W/LOGO
	G32012750SSBR		30 DOOR ASSY W/LOGO XSSBRX
	G32012750WH		30 DOOR ASSY W/LOGO XWHX
No.	G32012750WHBR		COMPLETE DOOR ASSEMBLY - WHBR
	017736-000		WINDOW PACK INSULATION KIT

*No Image
Available*

Ref #	Part Number	Qty.	Description
1	PE070733	1	UPPER LATCH HARNESS
1	PE070735	1	MEAT PROBE HARNESS
1	PE070739	1	BAKE ELEMENT HARNESS
1	G4005492	1	SUPPLY WIRE - 75 BK 10GA SO/DO
1	G4005493	1	SUPPLY WIRE - 75 GREEN 10GA SO/DO
1	G4005495	1	SUPPLY WIRE - 75 RED 10 GA SO/DO
1	001420-000	1	48 CONDUIT ASSY
1	PE070842	1	UPPER TOUCH CONTROL HARNESS
1	PE070883	1	TOUCH CONTROL UPPER RELAY HARNESS
1	PE070886	1	TOUCH CONTROL SINGLE HYPOT HARNESS
1	PE070845	1	TOUCH CONTROL KEYBOARD HARNESS
1	PE070846	1	TOUCH CONTROL DISPLAY HARNESS
1	PE070888	1	TOUCH CONTROL MEAT PROBE HARNESS
1	002082-000	1	WHITE LIGHT JUMPER
1	002083-000	1	RED LIGHT JUMPER