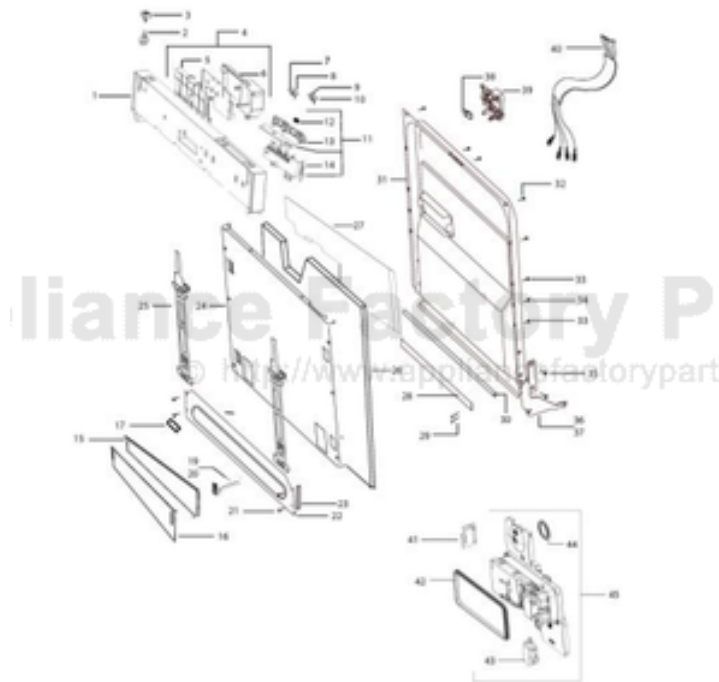


This Owner's Manual is provided and hosted by [Appliance Factory Parts](#).



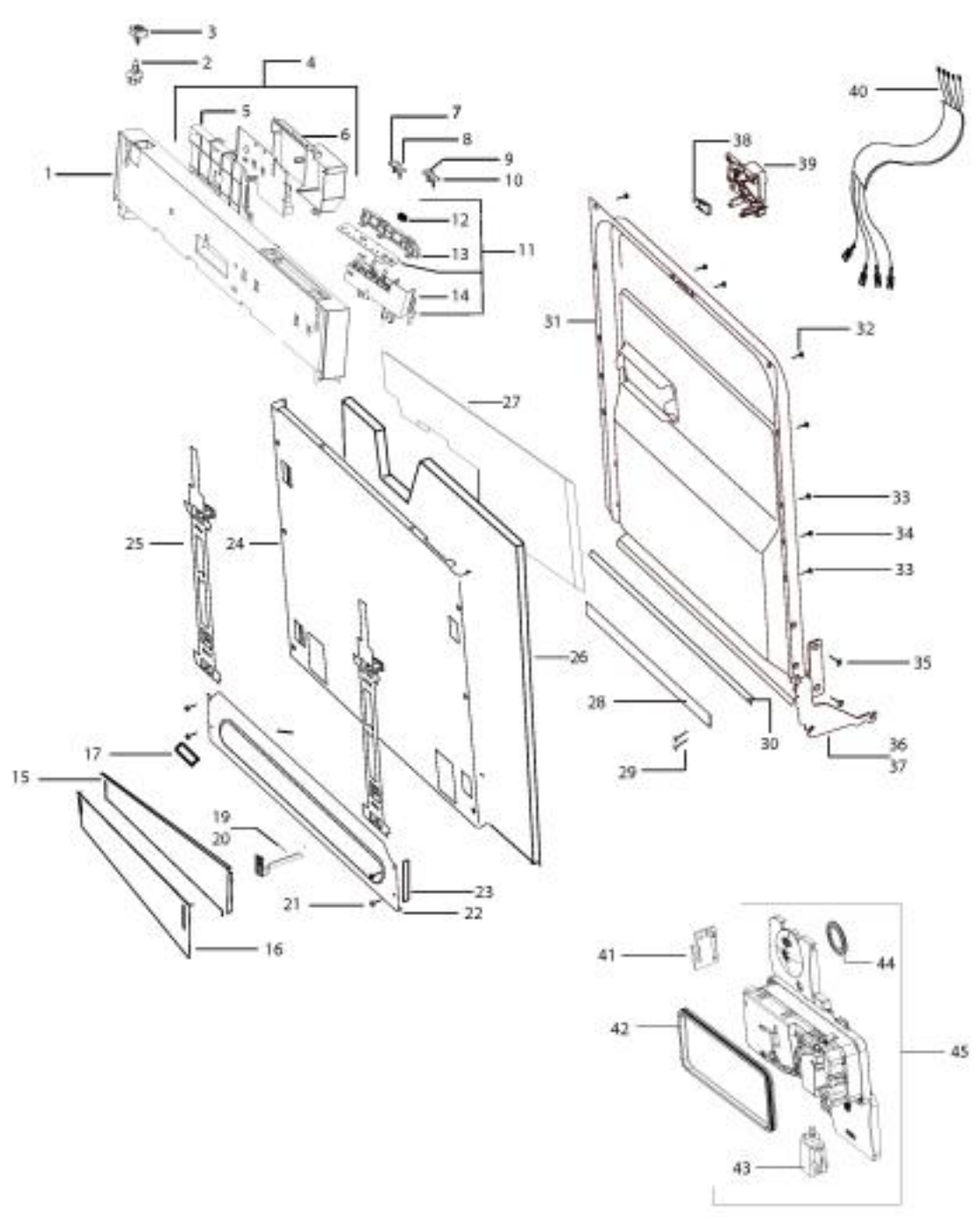
# VIKING FDW300\_2 Owner's Manual

[Shop genuine replacement parts for VIKING FDW300\\_2](#)

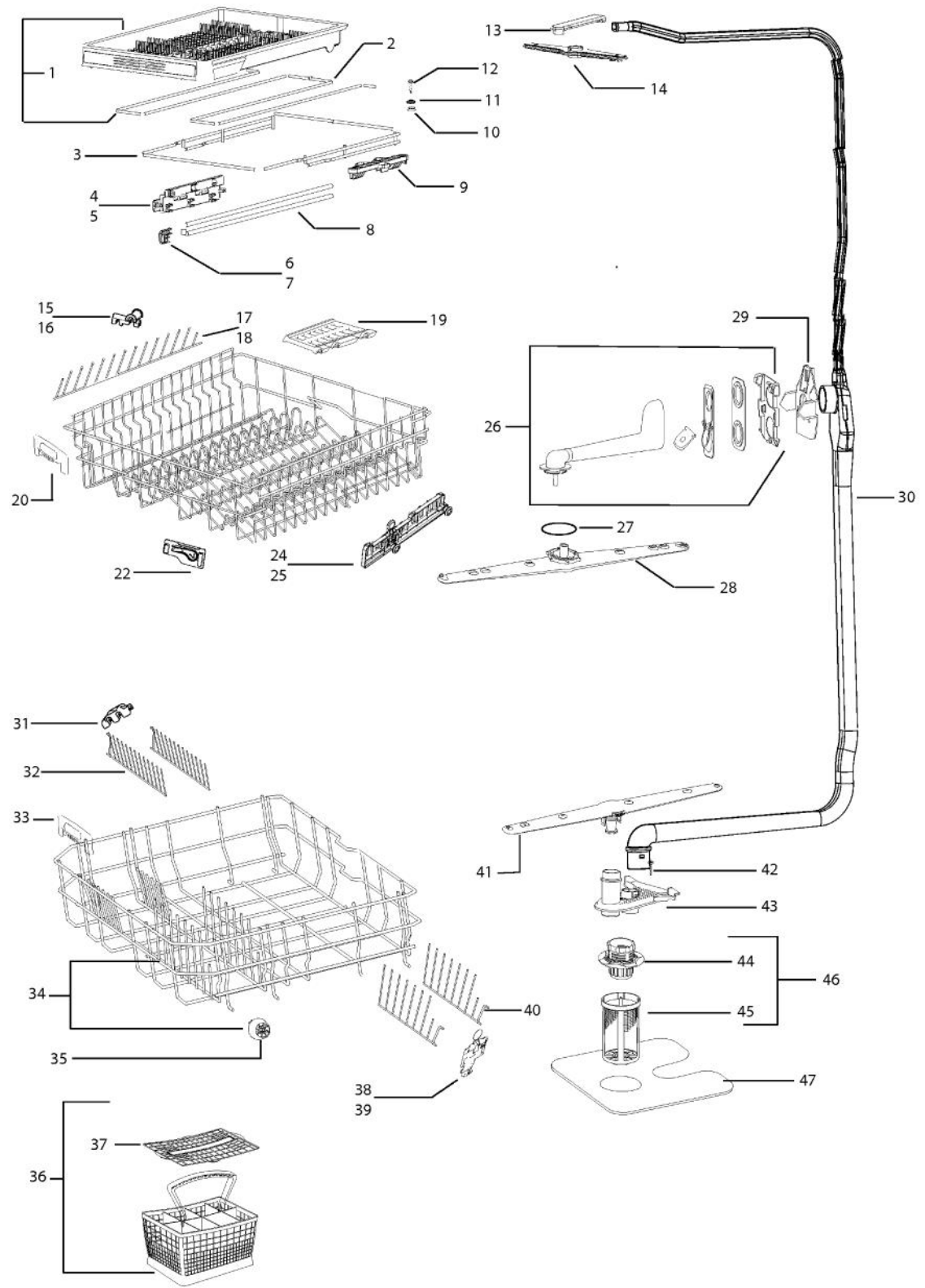


[Find Your VIKING Dishwasher Parts - Select From 36 Models](#)

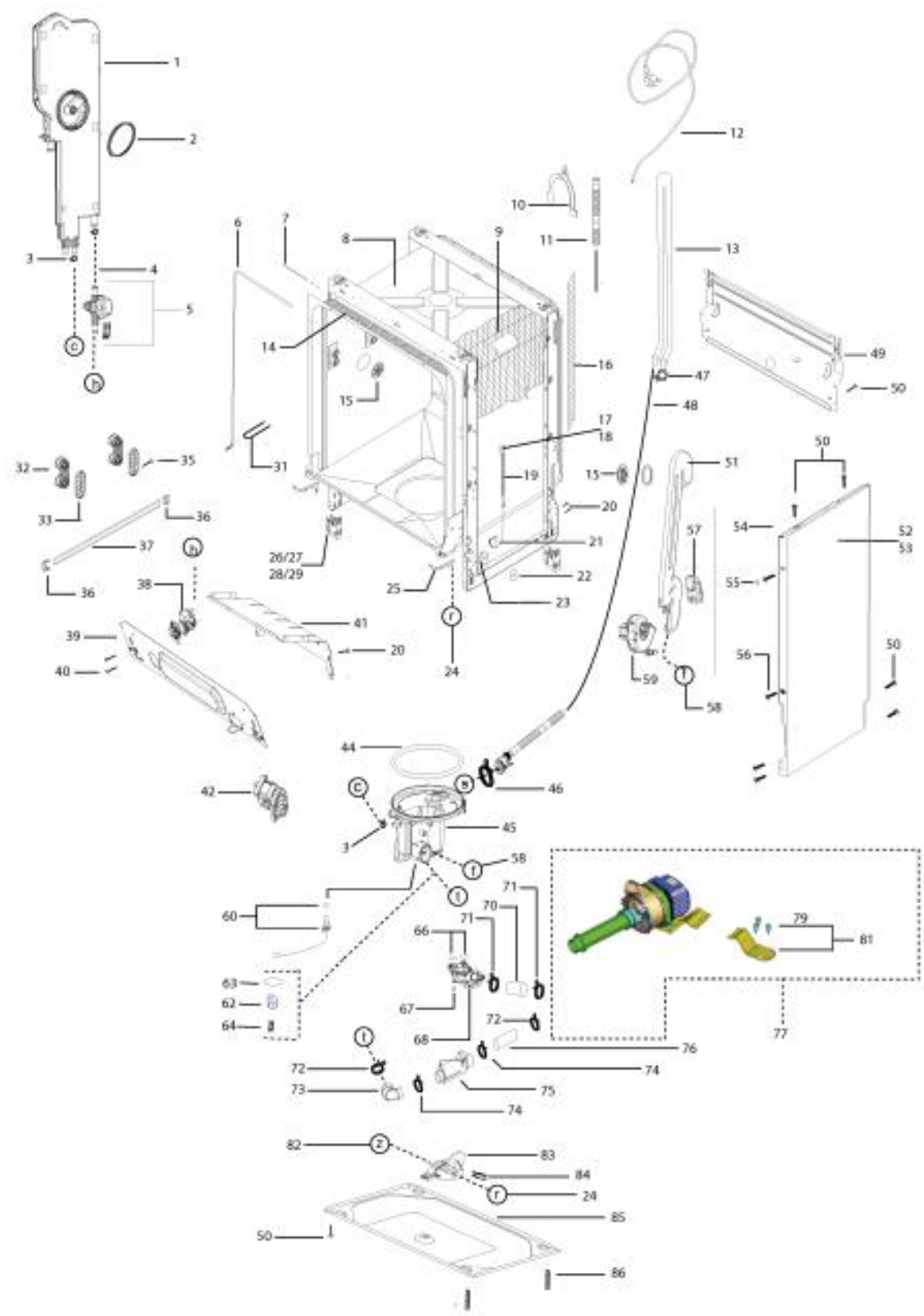
----- Manual continues below -----



Ref #	Part Number	Qty.	Description
1	050823-000	1	PANEL GROUP
2	050824-000	1	ROLD ON OFF SWITCH
3	050825-000	1	ANKASTRE ON OFF TUSU STROKE 2.5MM
4	039837-000	1	ELECTRONIC CARD GROUP
5	039798-000	1	CARD HOLDER-FRONT
6	039800-000	1	CARD HOLDER-BACK
7	039852-000	1	CLAD F5 START STOP BUTTON PRINTED -BLACK
8	039851-000	1	F5 PRG. SECIM TUSU BASKILI - BLACK
9	050826-000	1	CLAD F5 HALF LOAD BUTOON PRINTED - BLACK
10	039854-000	1	CLAD F5 PROGRAM DELAY BUTTON - BLACK
11	050827-000	1	DISPLAY CARD GROUP
12	039795-000	2	BUTTON GASKET
13	039797-000	1	DISPLAY CARD HOLDER-BACK
14	039796-000	1	DISPLAY CARD HOLDER-FRONT
15	039926-000	1	KICK PLATE SHEET
16	039927-000	1	KICK PLATE SHEET
17	039928-000	1	KICK PLATE ADJUSTING LOCKER
19	039924-000	1	PLINTH ADJUSTMENT SHEET-LEFT
20	039925-000	1	PLINTH ADJUSTMENT SHEET-RIGHT
21	039876-000	22	SCREW
22	039773-000	1	KICK PLATE SHEET
23	039888-000	2	NOISE ISOLATION
24	039772-000	1	B_I OUTER DOOR TALL TUB
25	050828-000	1	BOARD CONNECTION PART
26	039903-000	1	DOOR INSULATION
27	039932-000	1	DOOR INSULATION
28	039935-000	1	HINGE ARM SUPPORT
29	039917-000	25	BOLT M4X8 D3731 D3421
30	039908-000	1	DOOR SEALING GASKET - BOTTOM
31	039720-000	1	INNER DOOR GR
32	039914-000	6	SCREW
33	050829-000	4	SCREW
34	039912-000	2	INNER DOOR STOPER
35	039877-000	4	SCREW
36	039739-000	1	HINGE ARM-RIGHT
37	039738-000	1	HINGE ARM-LEFT
38	039718-000	1	NEW DOOR SWITCH
39	039778-000	1	DOOR LOCK GROUP
40	050830-000	1	F5 CABLE HARNESS UL
41	050831-000	1	RINSE AID GLASS
42	039714-000	1	DETERGENT DISPENSER GASKET
43	039882-000	1	THERMOACTUATOR D3731 D3421
44	039713-000	1	RINSE AID GASKET
45	050832-000	1	DETERGENT DISPENSER GROUP



Ref #	Part Number	Qty.	Description
1	050808-000	1	UPPER TRAY GROUP
2	050809-000	1	UPPER TRAY FRAME WIRE
3	050810-000	1	UPPER TRAY HOLDER
4	050811-000	1	UPPER TRAY DRAWER HOLDER-LEFT
5	050812-000	1	UPPER TRAY DRAWER HOLDER-RIGHT
6	050813-000	1	UPPER TRAY RAIL CAP-RIGHT
7	050814-000	1	UPPER TRAY RAIL CAP-LEFT
8	050815-000	2	CEILING RAIL
9	050816-000	2	UPPER TRAY RAIL HOLDER
10	050817-000	4	CONNECTING WASHER
11	039868-000	4	O-RING (TURBIDITY)
12	039880-000	4	SCREW
13	039847-000	1	CEILING SPRAY ARM FEED PIPE
14	039841-000	1	CEILING SPRAY GROUP
15	039861-000	11	UPPER BASKET CLIPS
16	039783-000	1	FOLDING PART CLIPS RIGHT
17	039779-000	1	UPPER BASKET SUPPORT WIRE
18	050819-000	1	UPPER BASKET SUPPORT WIRE
19	039785-000	4	SHELF GROUP
20	039846-000	1	UPPER BASKET HANDLE GR
22	050820-000	1	GRD FOLDING PART
24	039786-000	1	UPPER BASKET MECHANISM-LEFT
25	039787-000	1	UPPER BASKET MECHANISM-RIGHT
26	039862-000	1	UPPER SPRAY ARM FEED PIPE
27	039870-000	1	GASKET
28	039892-000	1	UPPER SPRAY ARM GROUP
29	050882-000	1	UPPER SPRAY ARM GUIDE ADJUSTABLE BASKET
30	039840-000	1	WATER SUPPLY TUBE GROUP
31	050821-000	3	LOWER BASKET CLIPS
32	039789-000	2	PLATE HOLDER-RIGHT
33	050883-000	1	LOWER BASKET HANDLE
34	050822-000	1	LOWER BASKET GROUP
35	050884-000	8	GRD LOWER BASKET SANTOPRENE WHEEL GROUP
36	039790-000	1	CUTLERY BASKET GROUP
37	039791-000	2	CUTLERY BASKET SEPARATOR
38	050884-000	8	GRD LOWER BASKET SANTOPRENE WHEEL GROUP
39	039857-000	1	LOWER BASKET FOLDING PART
40	039788-000	2	PLATE HOLDER-LEFT
41	039896-000	1	LOWER SPRAY ARM GROUP
42	039945-000	5	SCREW
43	039734-000	1	FILTER SUPPORT GROUP
44	039729-000	1	COARSE FILTER
45	039728-000	1	MICRO FILTER GROUP
46	039733-000	1	FILTER GROUP
47	039730-000	1	METAL FILTER GROUP



Ref #	Part Number	Qty.	Description
1	050775-000	1	REGENERATION UNIT
2	050886-000	1	AIR FUNNEL GASKET
3	039958-000	3	HOSE CLAMP( + 15_6 )
4	039866-000	1	HOSE BETWEEN COUNTER AND REGENERATION U.
5	050887-000	1	COUNTER GROUP
6	039769-000	1	DOOR SEALING GASKET
7	039904-000	1	NOISE ISOLATION FOR TUB RAL 7037.
8	050776-000	1	STRUCTURE GROUP
9	050777-000	1	INNER TUB ISOLATION
10	040591-000	1	DRAIN HOSE HOLDER
11	039726-000	1	DRAIN HOSE
12	039949-000	1	MAIN PLUG EURO 220-230 V CANADA
13	039792-000	1	COLUMN ASSY
14	039923-000	1	DOOR LOCK COTTON FLEECE
15	050778-000	2	AIR FUNNEL CUP
16	039922-000	1	REAR FRAME COTTON FLEECE
17	039763-000	1	DOOR ADJUSTMENT GROUP-LEFT
18	039764-000	1	DOOR ADJUSTMENT GROUP
19	039895-000	2	HINGE SPRING
20	039917-000	25	BOLT M4X8 D3731 D3421
21	039894-000	2	HINGE ROPE GROUP
22	039883-000	2	WASHER
23	039893-000	2	HINGE WHEEL
24	039872-000	1	HOSE
25	039921-000	2	OVERFLOW SIPHON
26	050779-000	1	FOOT GROUP-ADJUSTABLE-RIGHT-FRONT
27	039941-000	1	FOOT GROUP-ADJUSTABLE-RIGHT-BACK
28	039942-000	1	FOOT GROUP-ADJUSTABLE-LEFT-FRONT
29	039943-000	1	REAR FEET ADJUSTABLE-LEFT BACK
31	039901-000	1	DOOR LOCK HOOK
32	050780-000	4	GRD BALL BEARING ROLLER GROUP
33	039777-000	4	RAIL WHEEL HOLDER
35	050781-000	8	SCREW
36	050782-000	4	RAIL CAP FRONT BACK
37	039887-000	2	RAIL
38	039756-000	1	WATER INLET VALVE
39	039773-000	1	KICK PLATE SHEET
40	039761-000	2	SCREW
41	039885-000	1	LOWER SUPPORT - FRONT
42	039758-000	1	DRAIN PUMP GROUP
44	039722-000	1	SUMP GASKET
45	050783-000	1	SUMP GROUP
46	039954-000	1	HOSE CLAMP
47	039952-000	2	HOSE CLAMP (+ 28_7)
48	039725-000	1	DRAIN HOSE
49	050891-000	1	REAR BOTTOM SUPPORT
50	039876-000	22	SCREW
51	050784-000	1	FAN SUCTION PIPE
52	050785-000	1	SIDE PANEL-LEFT
53	050795-000	1	SIDE PANEL-RIGHT
54	039888-000	2	NOISE ISOLATION
55	050892-000	4	SCREW CAP SIDE WALLS
56	039876-000	4	SCREW
57	050796-000	1	FAN OUTLET PIPE
58	050797-000	2	HOSE BETWEEN FAN AND SUMP
59	050719-000	1	FAN MOTOR GROUP
60	039933-000	1	NTC GROUP
62	039900-000	1	TURBIDITY FRAME
63	039868-000	1	O-RING (TURBIDITY)
64	039950-000	1	TURBIDITY CARD AND LED HOLDER GR

Ref #	Part Number	Qty.	Description
64	039950-000	1	TURBIDITY CARD AND LED HOLDER GR
66	039902-000	2	O-RING (FLOW DIVERTER)
67	039880-000	4	SCREW
68	039863-000	1	THREE WAY VALVE
70	050798-000	1	HOSE
71	039957-000	1	HOSE CLAMP
72	050799-000	1	HOSE CLAMP
73	039723-000	1	HOSE BETWEEN SUMP AND HEATER
74	050800-000	1	SUMP CLAMP SCREW TYPE.
75	039757-000	1	FLOW THROUGH HEATER
76	050801-000	1	PUMP INLET HOSE
77	050802-000	1	MOTOR_SPRAY PUMP
79	050803-000	3	CIRCULATION PUMP DAMPENING RUBBER
81	050804-000	1	MOTOR BRACKET GROUP
82	039873-000	1	HOSE
83	039934-000	1	OVERFLOW FLOAT GROUP
84	039913-000	1	MICRO SWITCH
85	039886-000	1	BOTTOM TRAY
86	039889-000	4	FOOT GROUP-ADJUSTABLE