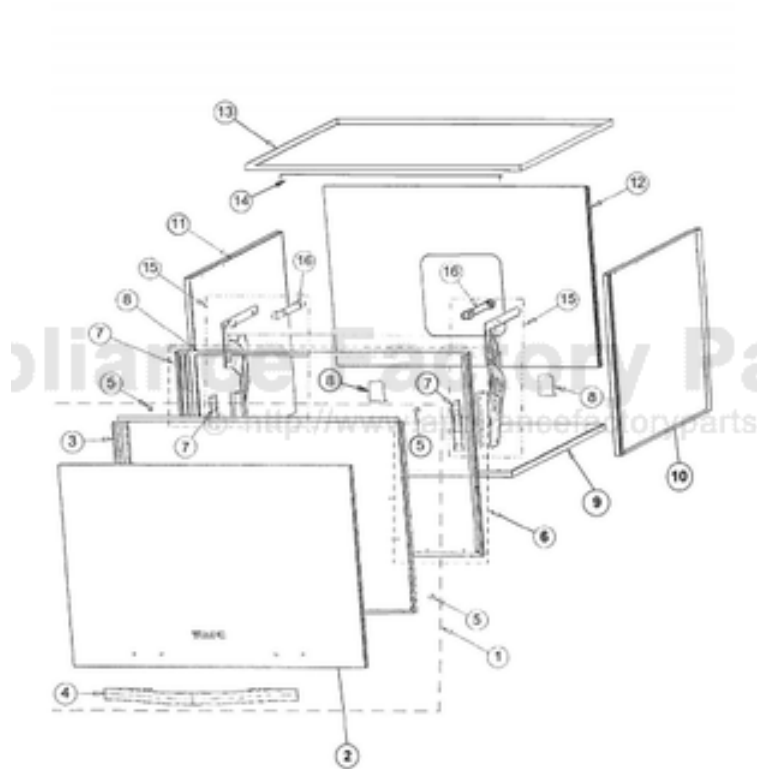


This Owner's Manual is provided and hosted by [Appliance Factory Parts](#).



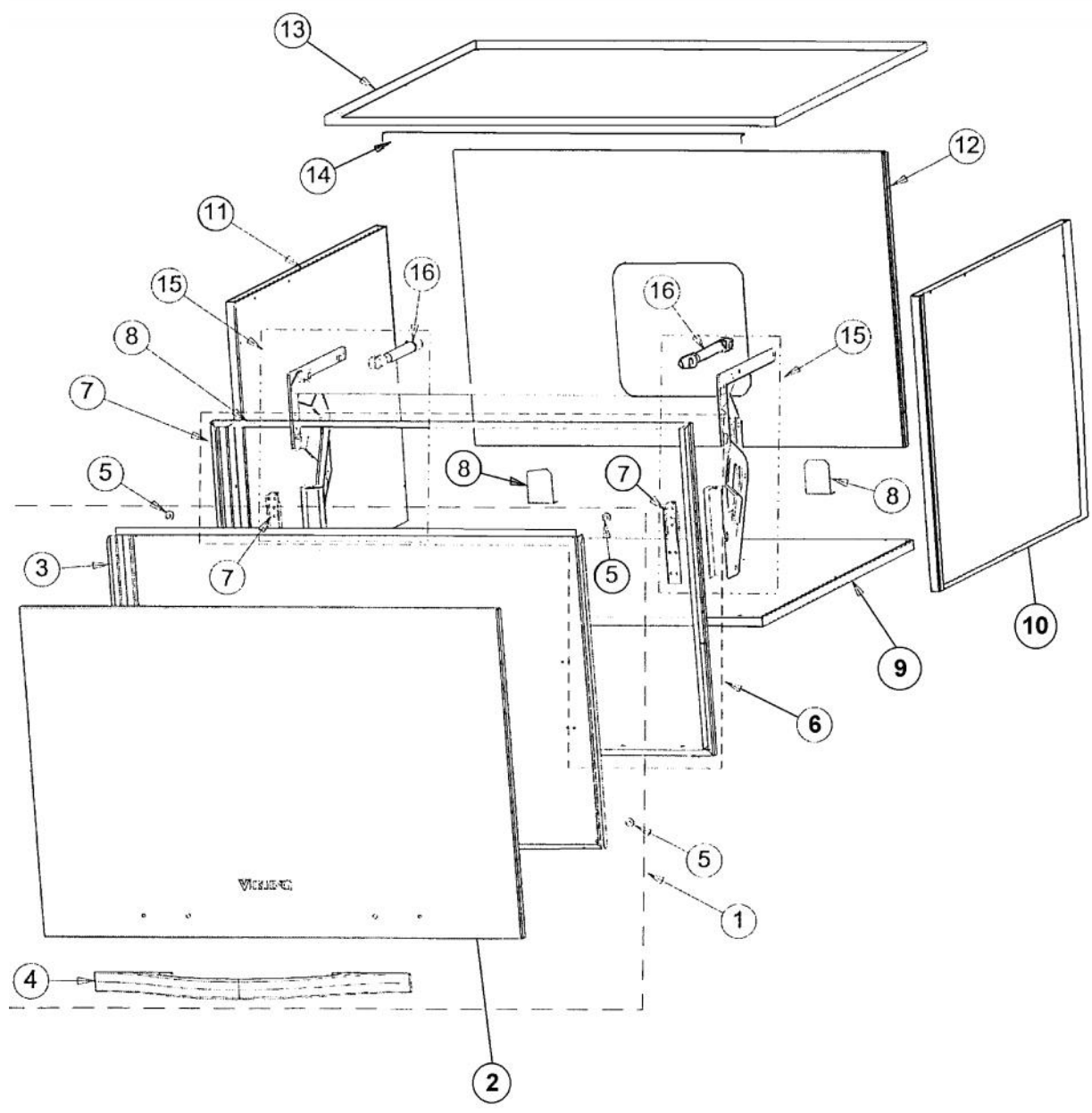
# VIKING DMWC100 Owner's Manual

[Shop genuine replacement parts for VIKING DMWC100](#)



[Find Your VIKING Microwave Parts - Select From 37 Models](#)

----- Manual continues below -----



Ref #	Part Number	Qty.	Description
1	G3206086BK		DESIGN MWC 30 DOOR ASSYXBKX
	G3206086BKBR		DSGN MWC 30DOOR ASSYXBKBRX
	G3206086BT		DESIGN MWC 30 DOOR ASSYXBTX
	G3206086BTBR		DSGN MWC 30DOOR ASSYXBTBRX
	G3206086GG		DESIGN MC 30 DOOR ASSY XGGX
	G3206086GGBR		DSGN MWC 30DOOR ASSYXGGBRX
	G3206086SG		DESIGN MWC 30 DOOR ASSYXSGX
	G3206086SGBR		DSGN MWC 30DOOR ASSYXSGBRX
	G3206086		DESIGN MICRO-CHAMBER 30 DOOR ASSY
	G3206086SSBR		DSGN MWC 30DOOR ASSYXSSBRX
	G3206086WH		DESIGN MWC 30 DOOR ASSYXWHX
	G3206086WHBR		DSGN MWC 30DOOR ASSYXWHBRX
	G3207364BK		DSGN MWC 30DOOR ASSYXBKX
	G3207364BKBR		DSGN MWC 30DOOR ASSYXBKBRX
	G3207364BT		DSGN MWC 30DOOR ASSYXBTX
	G3207364BTBR		DSGN MWC 30DOOR ASSYXBTBRX
	G3207364GG		DSGN MWC 30DOOR ASSYXGGX
	G3207364GGBR		DSGN MWC 30DOOR ASSYXGGBRX
	G3207364SG		DSGN MWC 30DOOR ASSYXSGX
	G3207364SGBR		DSGN MWC 30DOOR ASSYXSGBRX
	G3207364SS		DSGN MWC 30DOOR ASSYXSSX
	G3207364SSBR		DSGN MWC 30DOOR ASSYXSSBRX
	G3207364WH		DSGN MWC 30DOOR ASSYXWHX
	G3207364WHBR		DSGN MWC 30DOOR ASSYXWHBRX
2	B9206023		DESIGN MC 30 OUTER DOOR PANXSLKSCR
	B9207357		30 O/S DMWC DOORXSILKSCREENX
	C9206023BK		DESIGN MWC 30 OUTER DOORXSILKSCREEN
	C9206023BT		DESIGN MWC 30 OUTER DOORXSILKSCREEN
	C9206023GG		DESIGN MC 30 OUTER DOOR PANEL SLKSCR
	C9206023SG		DESIGN MWC 30 OUTER DOORXSILKSCREEN
	C9206023WH		DESIGN MWC 30 OUTER DOORXSILKSCREEN
	C9207357BK		O/S DOOR PANEL (DMWC100) XBKXSLKSCR
	C9207357BT		O/S DOOR PANEL (DMWC100) XBTXSLKSCR
	C9207357GG		O/S DOOR PANEL (DMWC100) XGGXSLKSCR
	C9207357SG		O/S DOOR PANEL (DMWC100) XSGXSLKSCR
	C9207357WH		O/S DOOR PANEL (DMWC100) XWHXSLKSCR
3	E9106024		30 DESIGN. MICROCHAM. INNER DOOR
	E9107358		30 DESIGN. MICROCHAM. INNER DOOR
4	PE030089		HANDLE - SS
	PE030089PVD		DOOR HANDLE 30 XBRX PVD
5	PD040004		GROMMET BUMPER
6	G3006036SS		DESIGN MICRO-CHAMBER 30 TRIM ASSY
	G3007373SS		DESIGN MICRO-CHAMBER 30 TRIM ASSY
	G9006036BK		DESIGN MWC 30 TRIM ASSY XBKX
	G9006036BT		DESIGN MWC 30 TRIM ASSY XBTX
	G9006036GG		TRIM ASSEMBLY - GG (BEFORE SERIAL NO. M11090105353)
	G9006036SG		DESIGN MWC 30 TRIM ASSY XSGX
	G9006036WH		DESIGN MWC 30 TRIM ASSY XWHX
	G9007373BK		DESIGN MWC 30 TRIM ASSY XBKX
	G9007373BT		DESIGN MWC 30 TRIM ASSY XBTX
	G9007373GG		DESIGN MWC 30 TRIM ASSY XGGX
	G9007373SG		DESIGN MWC 30 TRIM ASSY XSGX
	G9007373WH		DESIGN MWC 30 TRIM ASSY XWHX
7	PW130024		DOOR HINGE MOUNTING BRACKET
8	B2003121		ADJUSTMENT BRKT (VMWC)
9	B2006079		DESIGN MICRO-CHAMBER 30 BTM (DMWC1
10	B2006080		DESIGN M C 27 SIDE RH (DMWC170/100
11	B2006081		DESIGN M C 27 SIDE LH (DMWC170/100
12	B2006083		DESIGN MICRO-CHAMBER 30 BACK (DMWC
13	B2006085		DESIGN MICRO-CHAMBER 30 TOP (DMWC1

Ref #	Part Number	Qty.	Description
13	B2006085		DESIGN MICRO-CHAMBER 30 TOP (DMWC1
14	B2003135		TOP DOOR STOP - 27 (VMWC)
15	PC020099		LATERAL HINGE LH (VMWC/DMWC)
	PC020100		LATERAL HINGE RH (VMWC/DMWC)
16	PC020102		PISTON
NI	PD020087		10 X 1/2 PAN PH. TEK ZINC
NI	PD020032		SRW-8(A)X3/8PH.WFR HD 7/16DIAXNICL
NI	PD010019		BLT-1/4-20X3/8HEX WASHER SERATED
NI	PD020002		10 X 1/2 PH.TR.HD.SMS.
NI	PD020009		10 X 1 PH. HD. PAN HD. SMS
NI	PF20020		DMWC 100 PACKED ENV.