

This Owner's Manual is provided and hosted by [Appliance Factory Parts](#).



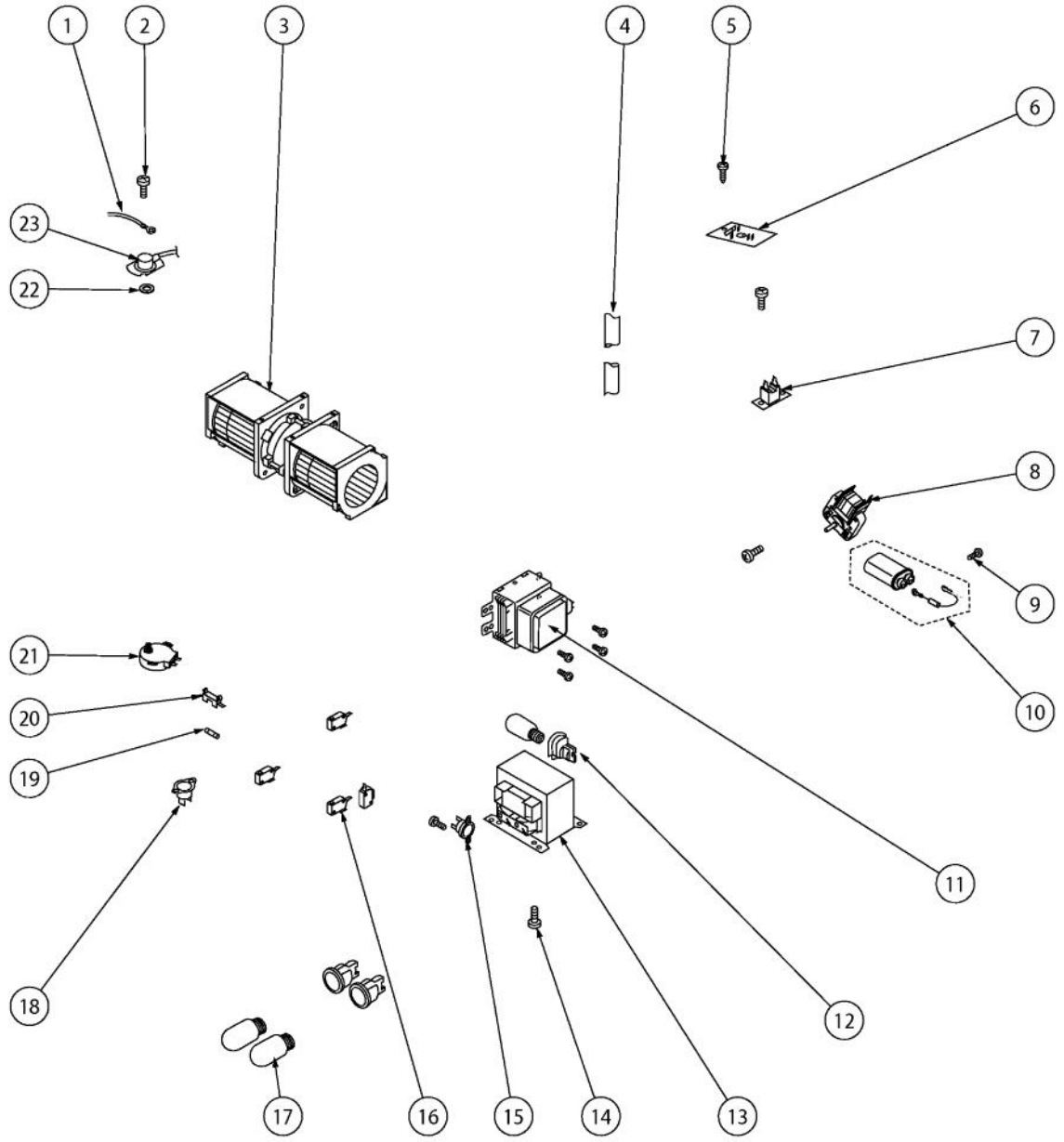
# VIKING RDMOR200SS Owner's Manual

[Shop genuine replacement parts for VIKING  
RDMOR200SS](#)

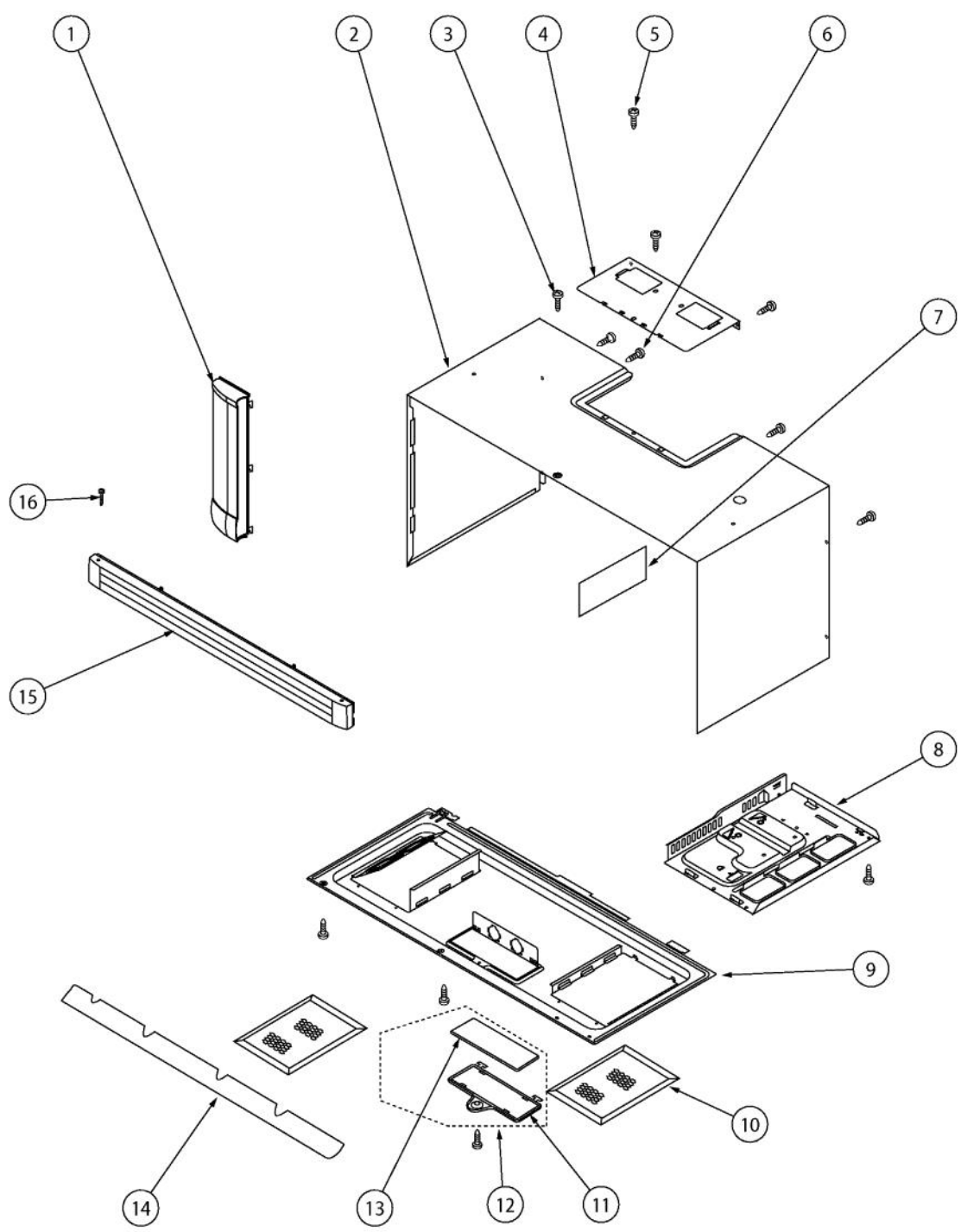


[Find Your VIKING Microwave Parts - Select From 37 Models](#)

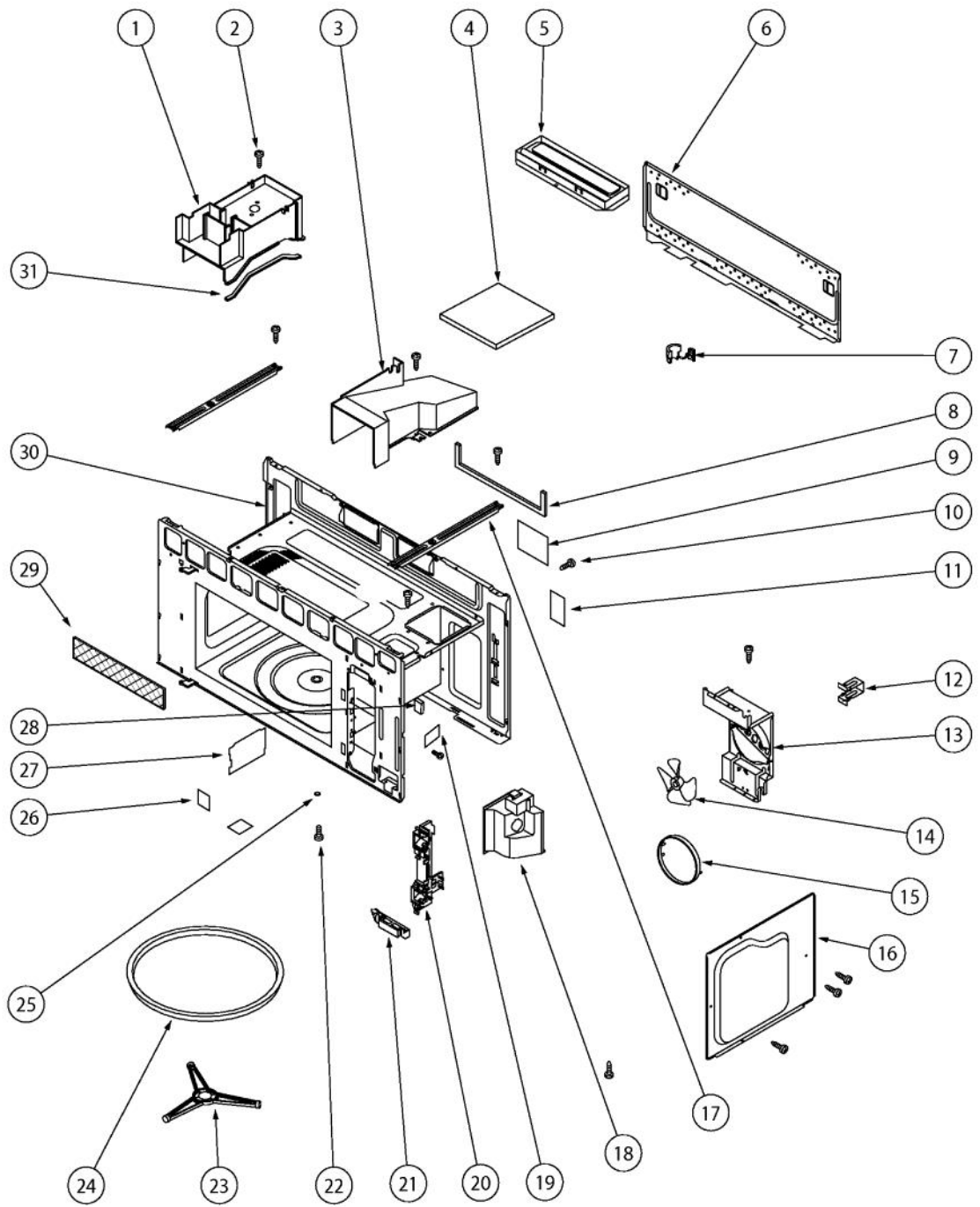
----- Manual continues below -----



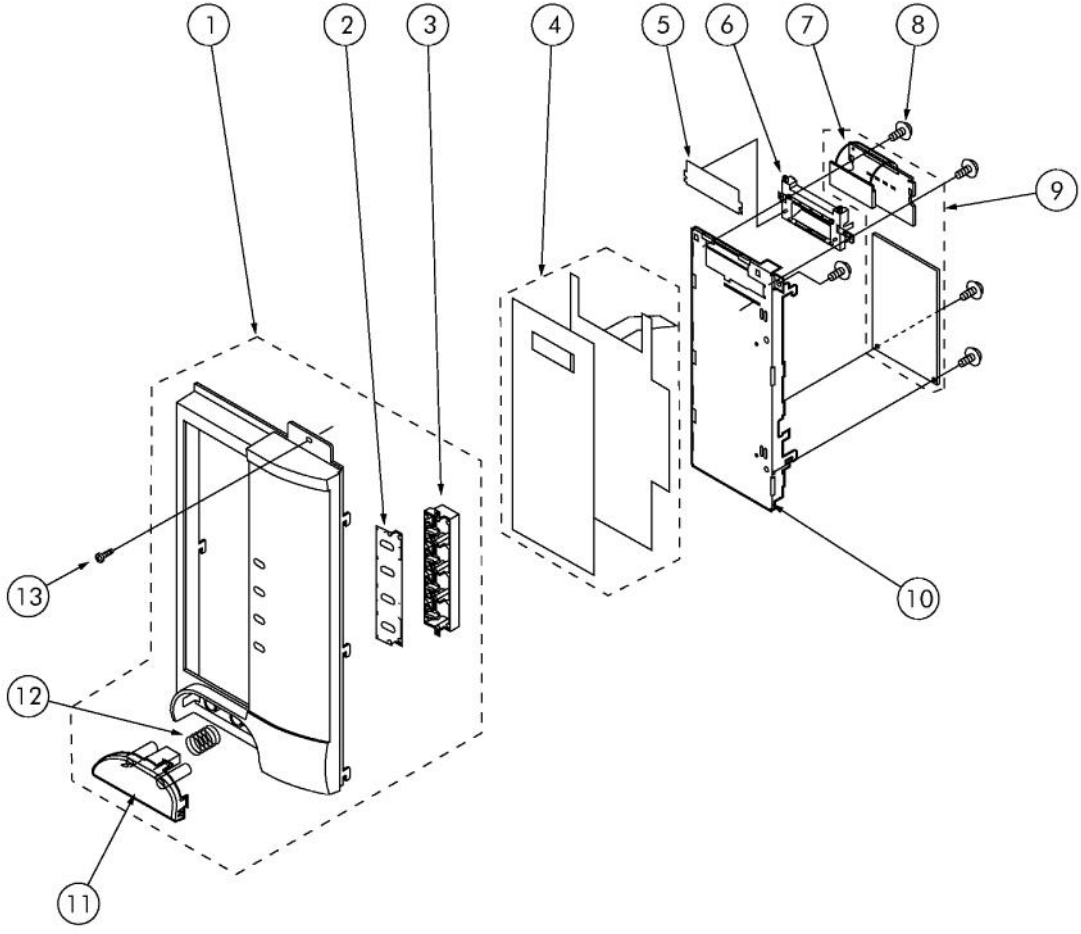
Ref #	Part Number	Qty.	Description
1	022198-000	1	SENSOR GROUND WIRE
2	019111-000	2	SCREW
3	022200-000	1	HOOD FAN MOTOR
4	PM100076	1	POWER SUPPLY CORD
5	PM120148	2	SCREW : 3MM X 14MM
6	PM100085	1	NOISE FILTER
7	PM100016	1	OVEN TEMP FUSE
8	022204-000	1	FAN MOTOR
9	PM120002	5	SPECIAL SCREW
10	022206-000	1	HIGH VOLTAGE RECTIFIER ASSEMBLY
11	PM100073	1	MAGNETRON
12	PM100018	3	LAMP SOCKET
13	022209-000	1	POWER TRANSFORMER
14	PM120146	1	SCREW : 4MM X 12MM
15	PM100071	1	THERMAL CUTOUT N.O. 60O C
16	PM100019	3	INTERLOCK SWITCH
17	PM100081	3	HOOD / OVEN LAMP
18	022212-000	1	THERMAL CUT-OUT 145OC (CAVITY)
19	PM100075	1	MONITOR AND SCONDARY INTERLOCK SWITCH
20	PM100074	1	FUSE HOLDER
21	PM100069	1	TURNTABLE MOTOR
22	022215-000	1	WASHER
23	022216-000	1	AH SENSOR



Ref #	Part Number	Qty.	Description
1	022217-000	1	FRONT PANEL L
2	022197-000	1	OUTER CASE CABINET
3	PM120146	9	SCREW : 4MM X 12MM
4	022218-000	1	REAR STAY
5	022219-000	1	SCREW : 5MM X 35MM
6	PM120003	1	SCREW
7	022220-000	1	SCHEMATIC DIAGRAM
8	022221-000	1	BASE PLATE R
9	022222-000	1	BASE COVER
10	022223-000	2	GREASE FILTER
11	022224-000	1	HOOD LAMP GLASS ANGLE
12	PM110070	1	HOOD LAMP GLASS ASSEMBLY
13	022226-000	1	HOOD LAMP GLASS
14	022227-000	1	DEFLECTOR
15	022228-000	1	HOOD EXHAUST LOUVER
16	022229-000	1	SPECIAL SCREW

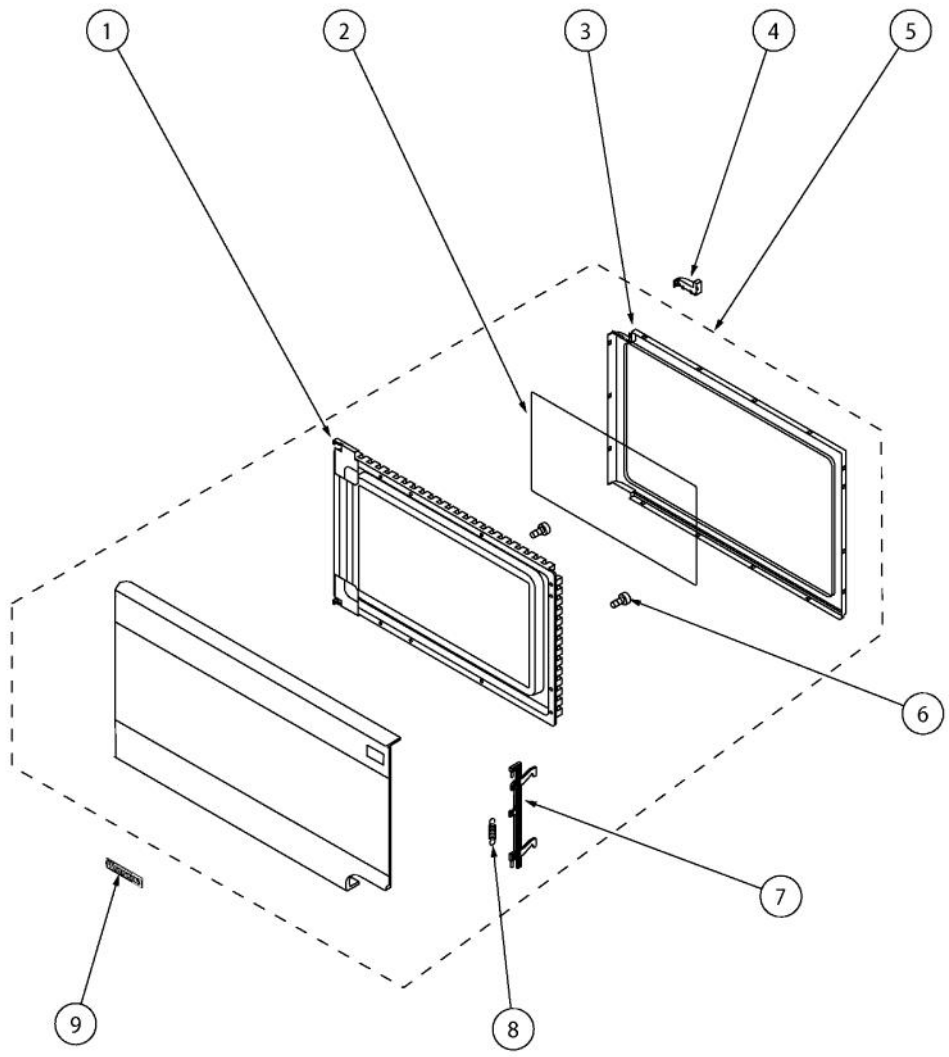


Ref #	Part Number	Qty.	Description
1	022230-000	1	HOOD DUCT L
2	PM120146	10	SCREW : 4MM X 12MM
3	022231-000	1	HOOD DUCT R
4	022232-000	1	CUSHION
5	022233-000	1	EXHAUST DAMPER ASSEMBLY
6	022234-000	1	UNIT MOUNTING PLATE ASSEMBLY
7	PM100097	1	CORD BUSHING
8	022236-000	1	CUSHION (ONLY FOR HORIZONTAL VENTING)
9	022237-000	1	NHW CAUTION LABEL
10	PM120003	2	SCREW
11	005196-000	1	GND CAUTION LABEL
12	022238-000	1	CAPACITOR HOLDER
13	022239-000	1	FAN DUCT
14	PM110018	1	FAN BLADE
15	022241-000	1	ORIFICE
16	022242-000	1	HOOD INTAKE DUCT R
17	020897-000	2	CHASSIS SUPPORT
18	022244-000	1	MAGNETRON DUCT
19	PM120034	1	MONITOR CAUTION LABEL
20	PM120014	1	LATCH HOOK
21	PM120006	1	SWITCH LEVER
22	022247-000	1	SCREW : 4MM X 8MM
23	PM110006	1	TURNTABLE SUPPORT
24	022249-000	1	TURNTABLE TRAY
25	PM120015	1	TURNTABLE MOTOR PACKING
26	022251-000	2	DHHS SERVICE CAUTION LABEL
27	PM110020	1	WAVEGUIDE COVER
28	022253-000	1	CUSHION
29	022254-000	1	CHARCOAL FILTER
30	022255-000	1	TOP HINGE ADAPTER, R.H. DOOR
31	022256-000	1	CUSHION

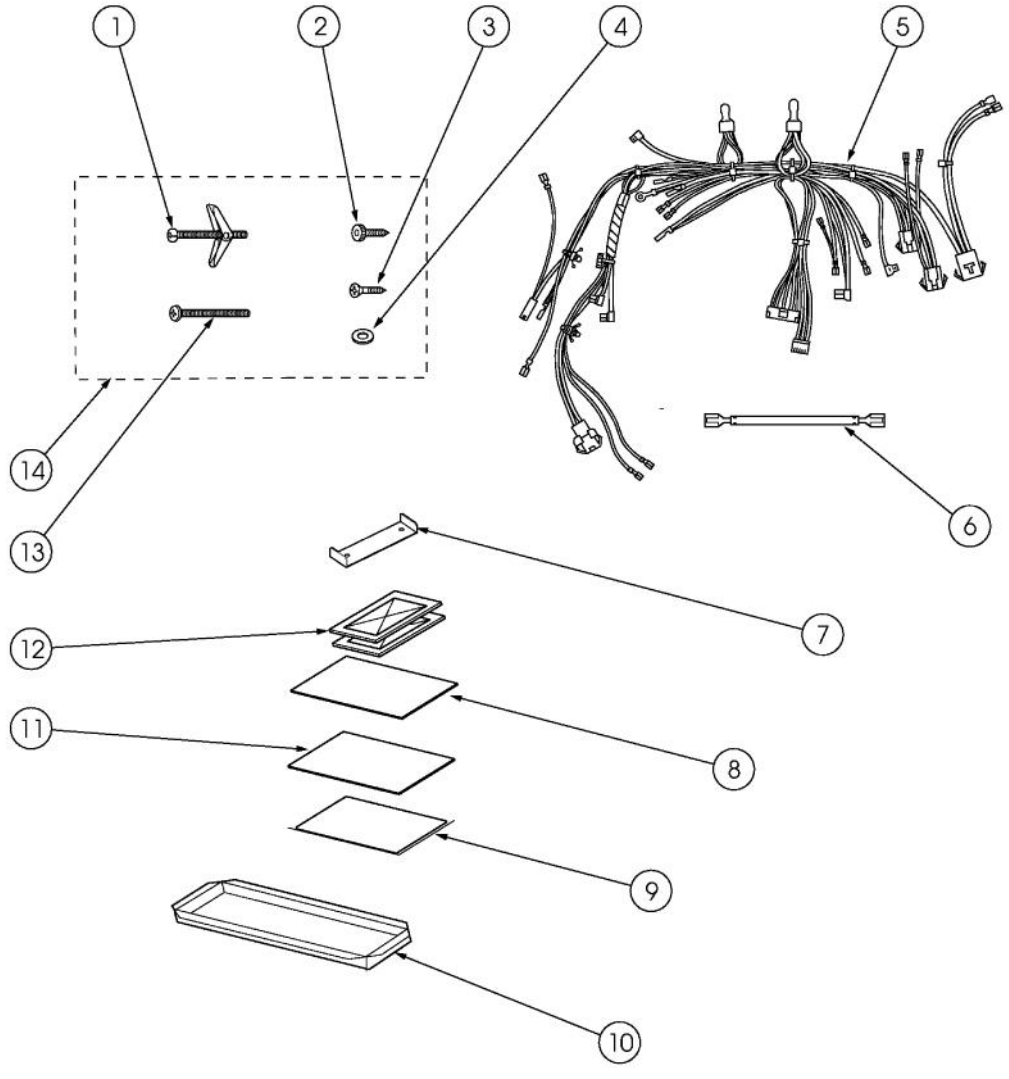




Ref #	Part Number	Qty.	Description
1	022257-000	1	CONTROL PANEL ASSEMBLY
2	022258-000	1	SELECT BUTTON RUBBER
3	022259-000	1	SELECT BUTTON
4	022149-000	1	KEY UNIT
5	022260-000	1	LED SHEET
6	022261-000	1	LCD HOLDER
7	022262-000	5	SCREW; 3MM X 10MM
9	022150-000	1	CONTROL UNIT
10	022263-000	1	KEY FIXING ANGLE
11	022264-000	1	OPEN BUTTON
12	PM120044	1	OPEN BUTTON SPRING
13	PM120146	1	SCREW : 4MM X 12MM



Ref #	Part Number	Qty.	Description
1	022266-000	1	DOOR PANEL ASSEMBLY
2	PM120016	1	SEALER FILM
3	022268-000	1	CHOKE COVER
4	022269-000	1	DOOR STOPPER
5	022270-000	1	DOOR ASSEMBLY
6	022269-000	2	DOOR STOPPER
7	022272-000	1	LATCH HEAD
8	PM120007	1	LATCH SPRING
9	034786-000	1	NAMEPLATE, DSNR D3, SMALL



Ref #	Part Number	Qty.	Description
1	PM120137	1	TOGGLE SCREW (LX-BZ0195WRE0)
2	PM120146	1	SCREW : 4MM X 12MM
3	022276-000	1	SCREW : 5MM X 35MM
4	022277-000	1	WASHER
5	022278-000	1	MAIN HARNESS
6	022279-000	1	HIGH VOLTAGE WIRE A
7	022280-000	1	SCALE PLATE
8	022281-000	1	TOP/WALL TEMPLATE
9	022282-000	1	INSTALLATION INSTRUCTIONS
10	022284-000	1	EXHAUST DAMPER ASSEMBLY
11	022283-000	1	OPERATION MANUAL
12	022223-000	2	GREASE FILTER
13	020898-000	1	SCREW W. 55MM X 85MM
14	022287-000	1	INSTALLATION MATERIAL ASSEMBLY