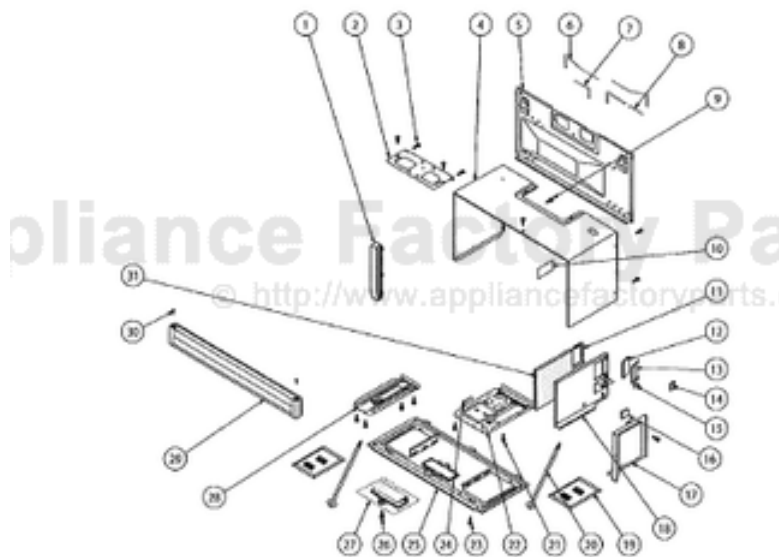


This Owner's Manual is provided and hosted by [Appliance Factory Parts](http://www.appliancefactoryparts.com).



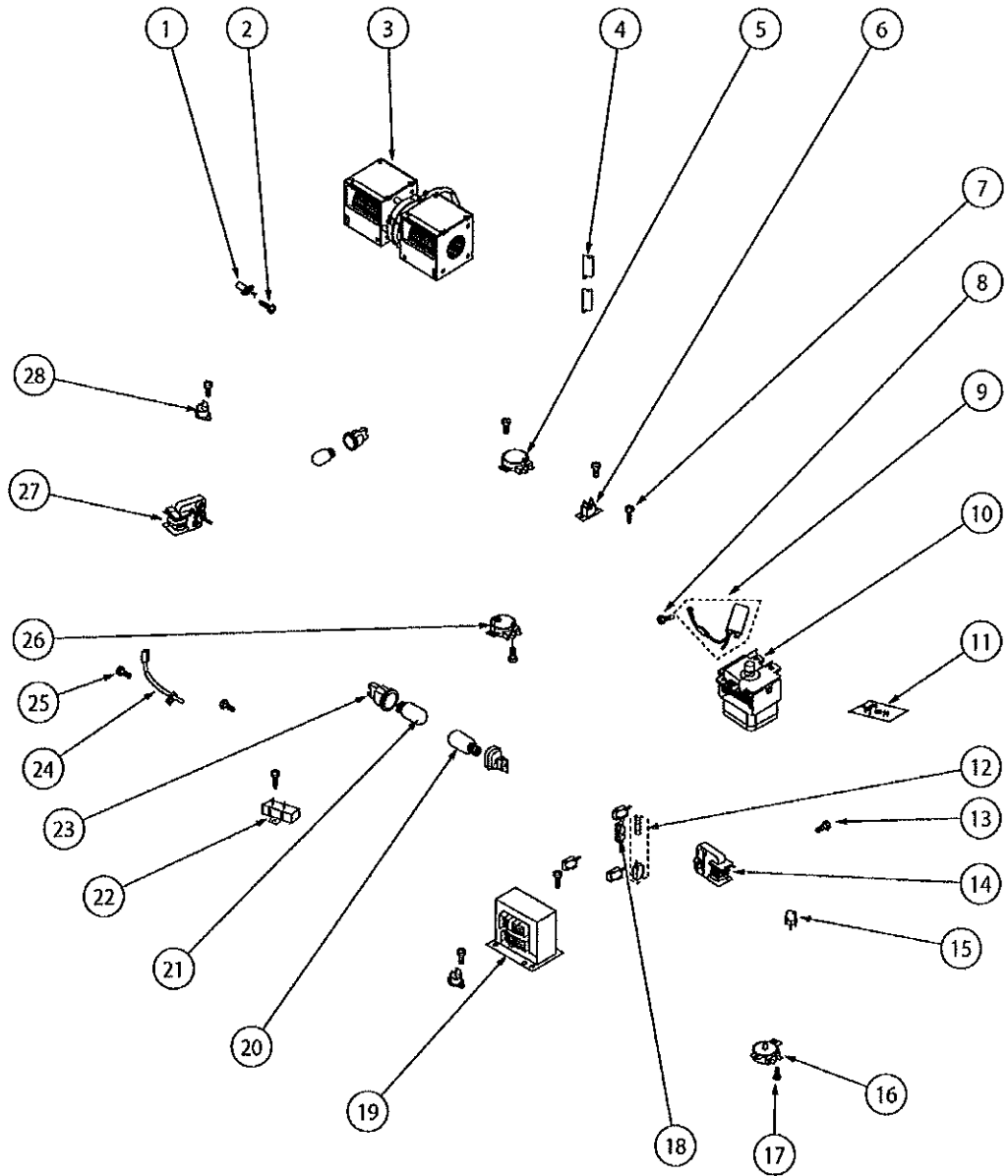
# VIKING RDMOR206 Owner's Manual

**[Shop genuine replacement parts for VIKING RDMOR206](#)**

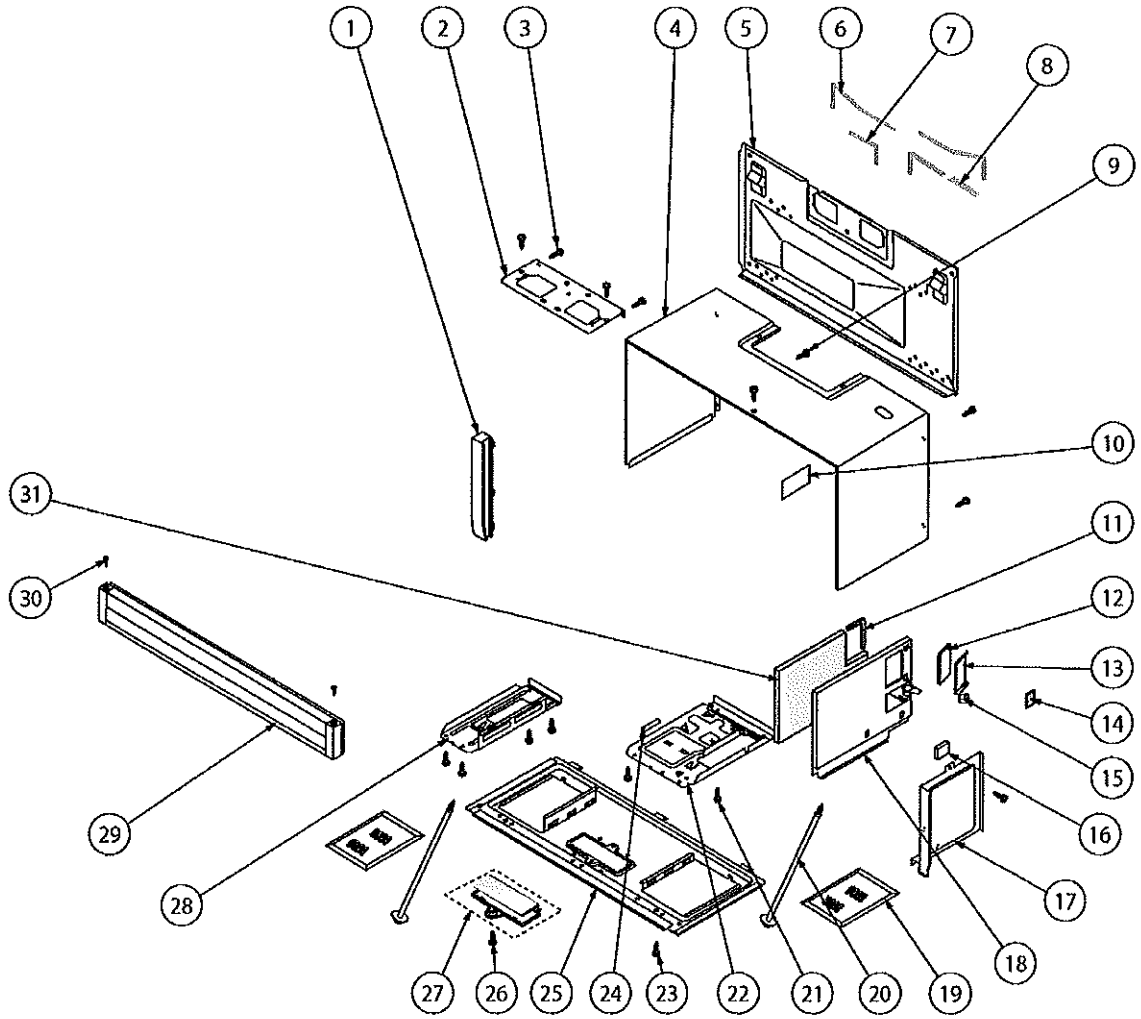


**[Find Your VIKING Microwave Parts - Select From 37 Models](#)**

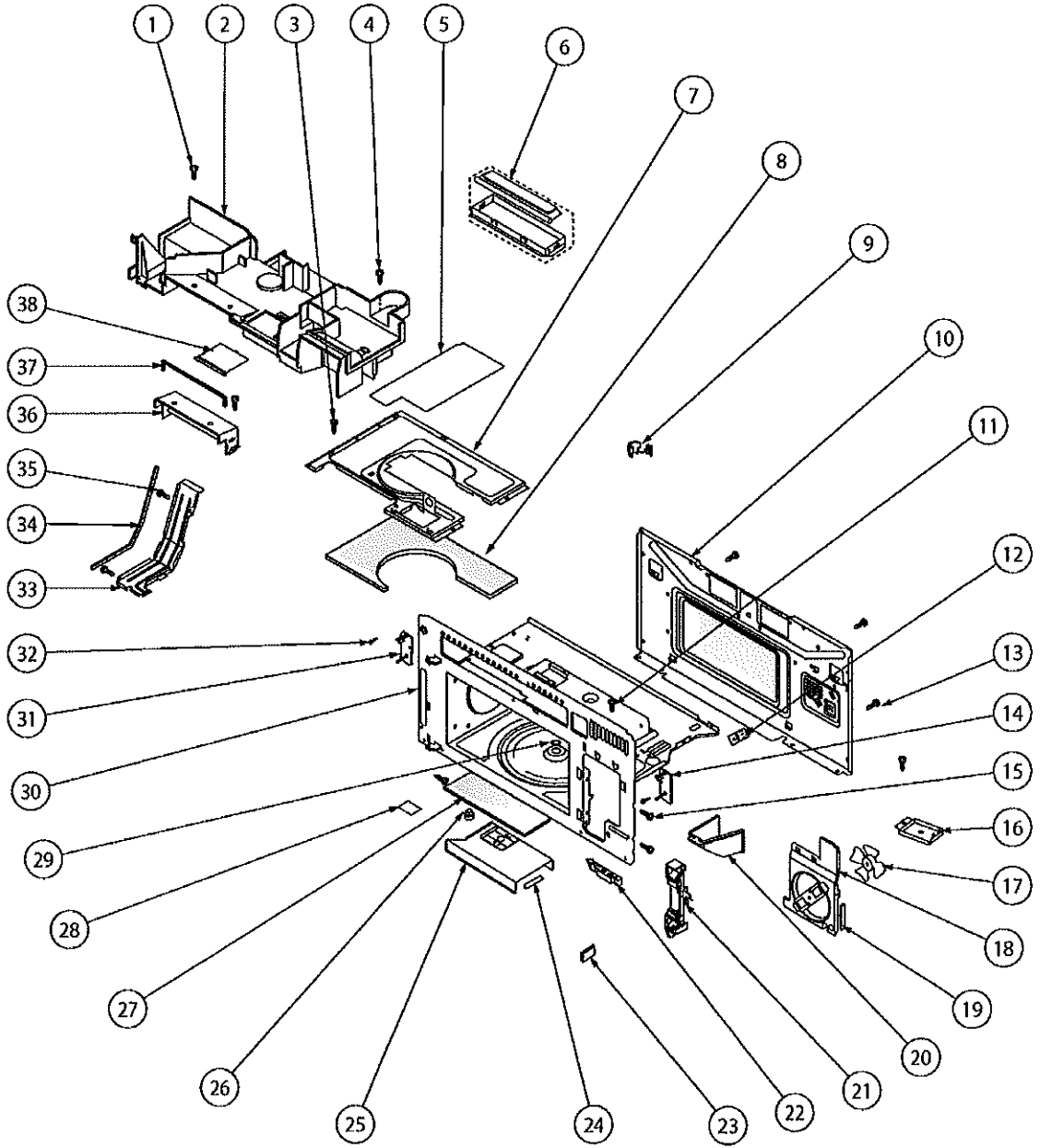
----- Manual continues below -----



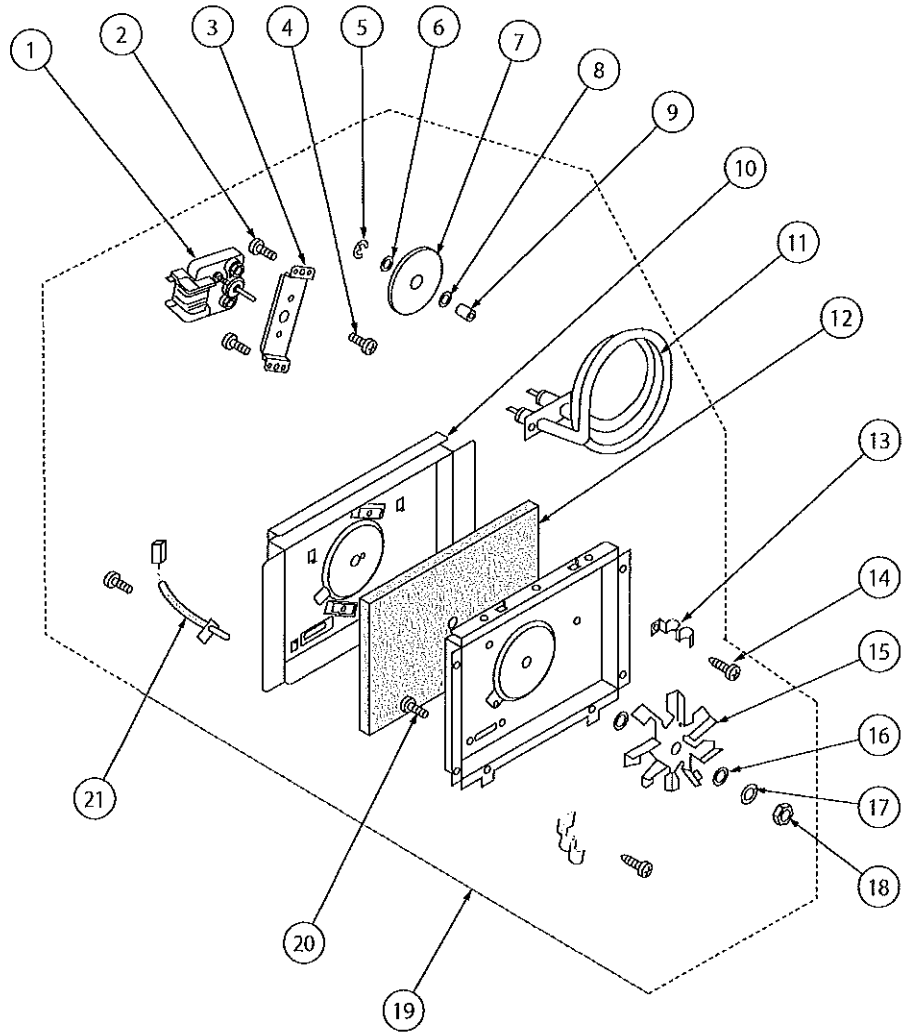
Ref #	Part Number	Qty.	Description
1	PM100082	1	AH SENSOR
2	019111-000	5	SCREW
3	PM100078	1	HOOD FAN MOTOR
4	PM100076	1	POWER SUPPLY CORD
5	022386-000	1	STIRRER MOTOR
6	PM100016	1	OVEN TEMP FUSE
7	PM120146	2	SCREW : 4MM X 12MM
8	022271-000	1	SCREW : 4MM X 8MM
9	022387-000	1	HIGH VOLTAGE RECTIFIER ASSEMBLY
10	PM100073	1	MAGNETRON
11	PM100085	1	NOISE FILTER
12	PM100075	1	MONITOR AND SCONDARY INTERLOCK SWITCH
13	PM120148	1	SCREW : 3MM X 14MM
14	PM100080	1	FAN MOTOR
15	PM100019	4	INTERLOCK SWITCH
16	022389-000	1	DAMPER MOTOR
17	PM120002	3	SPECIAL SCREW
18	PM100074	1	FUSE HOLDER
19	022390-000	1	POWER TRANSFORMER
20	PM100086	1	HOOD LAMP
21	PM100081	2	HOOD / OVEN LAMP
22	PM100084	1	NOISE RESISTOR
23	PM100018	3	LAMP SOCKET
24	PM100077	1	THERMISTOR
25	022393-000	1	SCREW : 3MM X 6MM
26	PM100069	1	TURNTABLE MOTOR
27	PM100079	1	CONVECTION MOTOR
28	022396-000	1	NO.10 EXTERNAL TOOTH LOCK WASHER



Ref #	Part Number	Qty.	Description
1	022397-000	1	LEFT SASH ASSY
2	022398-000	1	REAR STAY
3	PM120159	5	SCREW
4	022399-000	1	OUTER CASE CABINET
5	PM110079	1	UNIT MOUNTING PLATE
6	PM120130	1	CUSHION (PCUSUB046MRP0)
7	PM120128	1	CUSHION (PCUSUB035MRP0)
8	PM120129	1	CUSHION (PCUSUB047MRP0)
9	PM120004	3	SPECIAL SCREW
10	022405-000	1	SCHEMATIC DIAGRAM
11	PM120128	1	CUSHION (PCUSUB035MRP0)
12	022407-000	1	DAMPER CUSHION
13	PM120115	1	DAMPER PLATE (PFTA-B003MRP0)
14	022409-000	1	CUSHION
15	022410-000	1	DAMPER CAM
16	PM120125	1	CUSHION (PCUSUB020MRP0)
17	022412-000	1	HOOD INTAKE DUCT R
18	PM110085	1	THERMAL COVER - RIGHT
19	PM110064	2	GREASE FILTER
20	PM120149	2	UNIT MOUNTING SCREW
21	PM120146	7	SCREW : 4MM X 12MM
22	PM110067	1	BASE PLATE - RIGHT
23	PM120153	1	SCREW, 4MM X 12MM
24	022418-000	1	CAVITY CUSHION
25	022419-000	1	BASE COVER
26	PM120142	1	SCREW, 4MM X 10MM
27	PM110070	1	HOOD LAMP GLASS ASSEMBLY
28	022421-000	1	BASE PLATE LEFT
29	022422-000	1	HOOD EXHAUST LOUVER
30	PM120033	2	SCREW ; CONTROL PANEL MTG.
31	PM120114	1	HEAT PROTECTOR - RIGHT (PFPF-B001MRE0)

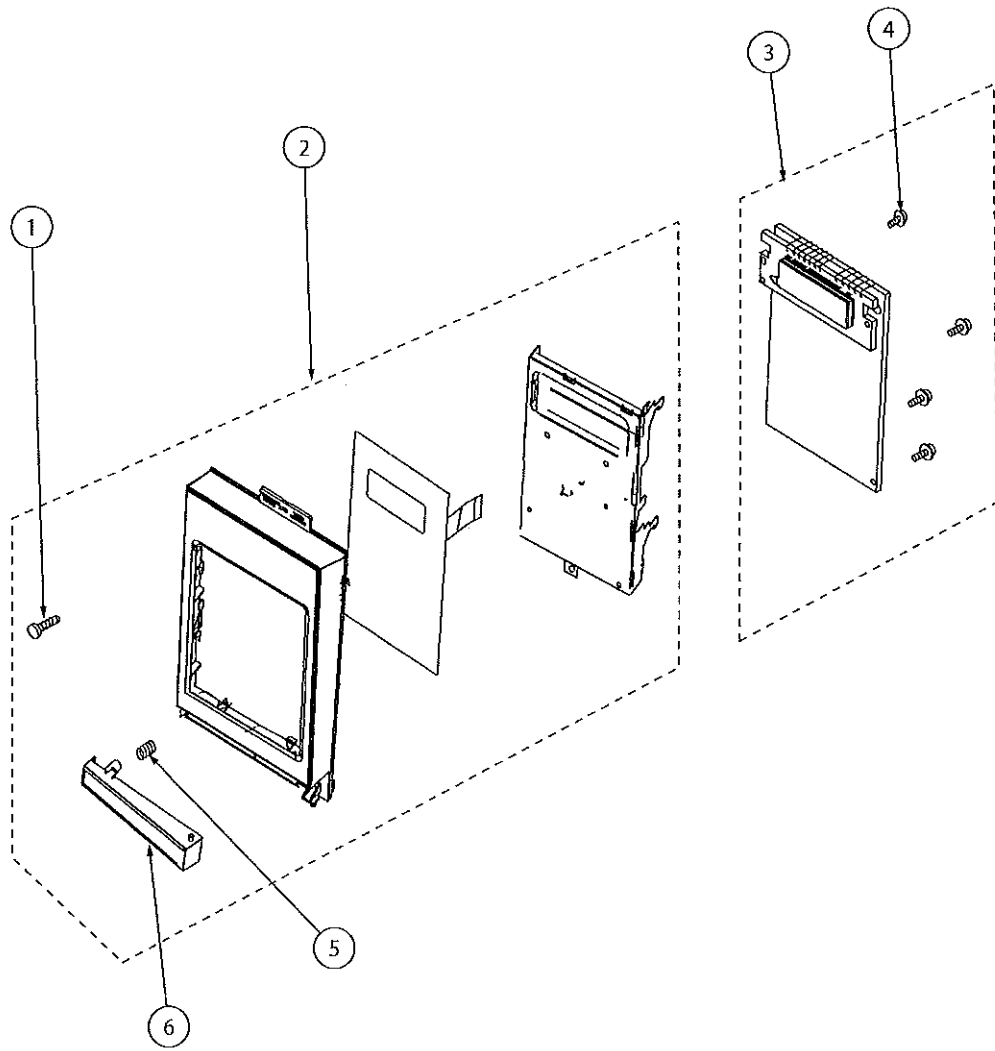


Ref #	Part Number	Qty.	Description
1	PM120076	10	SCREW; 4MM X 10MM
2	022425-000	1	HOOD EXHAUST DUCT
3	PM120159	9	SCREW
4	PM120146	32	SCREW : 4MM X 12MM
5	022426-000	1	HEAT PROTECT TOP SHEET
6	PM120106	1	EXHAUST DAMPER ASSEMBLY (FFTA-B004MRK0)
7	022428-000	1	TOP DUCT
8	PM120123	1	HEAT PROTECT TOP (PFPF-B003MRE0)
9	PM100097	1	CORD BUSHING
10	PM120132	1	HEAT PROTECT - REAR (PFPF-B004MRE0)
11	PM120002	9	SPECIAL SCREW
12	PM100090	1	CAPACITOR HOLDER
13	022271-000	1	SCREW : 4MM X 8MM
14	022441-000	1	END CAP HOLDER - RIGHT
15	PM120003	2	SCREW
16	PM110016	1	ANGLE
17	PM110083	1	FAN BLADE
18	022435-000	1	FAN DUCT
19	PM120128	1	CUSHION (PCUSUB035MRP0)
20	PM120121	1	MAGNETRON DUCT (PDUC-B058MRF0)
21	PM120107	1	LATCH HOOK (PHOK-B013MRF0)
22	PM120006	1	SWITCH LEVER
23	PM120111	1	CUSHION (PCUSGB030MRP0)
24	022418-000	2	CAVITY CUSHION
25	PM110087	1	THERMAL COVER BOTTOM
26	PM100092	1	COUPLING
27	PM120131	1	HEAT PROTECT - BOTTOM (PFPF-B005MRE0)
28	PM110089	1	OVEN LIGHT SCREEN
29	PM100095	1	TURNTABLE MOTOR PACKING
30	NON SERVICEABLE	1	CABINET
31	022447-000	1	END CAP HOLDER L
32	PM120147	2	SCREW (LX-CZB020MRE0)
33	022449-000	1	HOOD INTAKE DUCT L
34	PM120118	1	CUSHION (PCUSGB027MRP0)
35	022451-000	1	SCREW : 4MM X 8MM
36	022452-000	1	EXHAUST DUCT
37	022453-000	1	CUSHION
38	PM110088	1	OVEN LAMP COVER

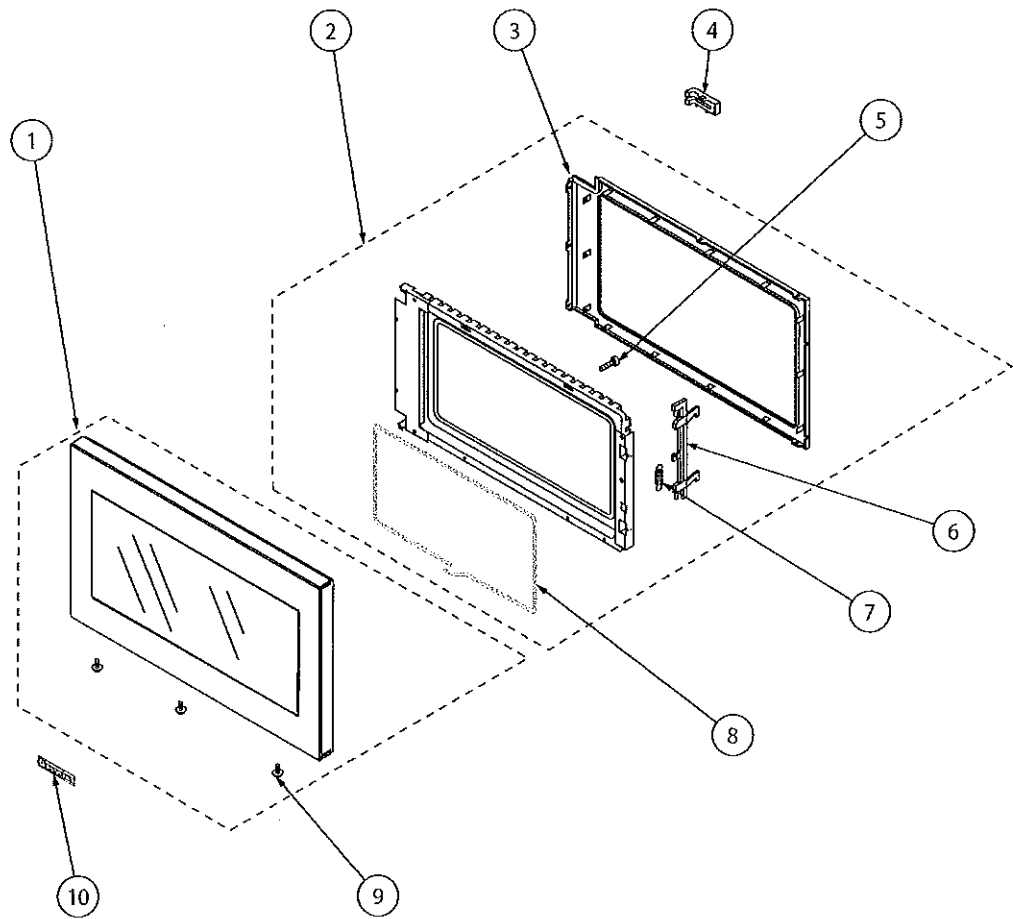




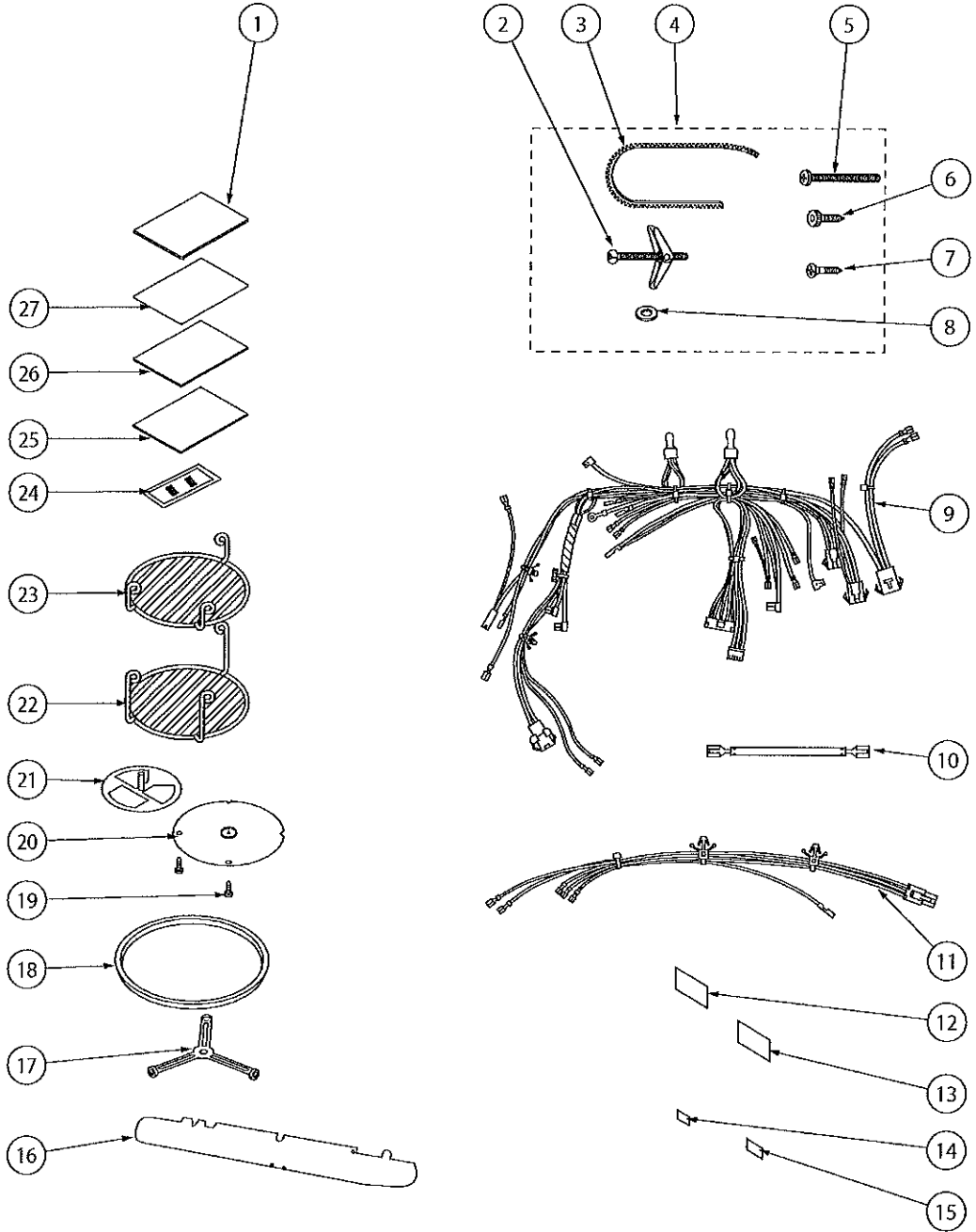
Ref #	Part Number	Qty.	Description
1	PM100079	1	CONVECTION MOTOR
2	022456-000	2	SCREW : 4MM X 8MM
3	022457-000	1	CONVECTION MOTOR ANGLE
4	022458-000	1	SCREW : 3MM X 6MM
5	022459-000	1	E-RING
6	PM120155	1	SPRING WASHER
7	PM100093	1	CONVECTION MOTOR FAN
8	022462-000	1	WASHER : 5MM X 0.8MM
9	022463-000	1	COLLER
10	022464-000	1	HEATER COVER L
11	022394-000	1	CONVECTION HEATER
12	PM110080	1	HEAT PROTECTOR - LEFT
13	022467-000	2	HEATER MOUNTING HOLDER
14	022393-000	3	SCREW : 3MM X 6MM
15	PM100096	1	CONVECTION FAN
16	PM120156	2	WASHER, 5MM X 2MM
17	PM120157	1	WASHER, 4MM X 0.8MM
18	PM120154	1	NUT, 4MM X 3.2MM
19	PM100091	1	CONVECTION HEATER UNIT
20	022474-000	1	SCREW : 4MM X 6MM
21	PM100077	1	THERMISTOR



Ref #	Part Number	Qty.	Description
1	PM120146	1	SCREW : 4MM X 12MM
2	PM100089	1	CONTROL PANEL SUB ASSY (DMOR205SS)
3	PM100087	1	CONTROL UNIT
4	PM120105	8	SCREW, 3MM X 10MM(XEPSD30P10XS0)
5	PM120044	1	OPEN BUTTON SPRING
6	PM120104	1	OPEN BUTTON ASSY (DMOR205SS)(FDECAB082MRK0)



Ref #	Part Number	Qty.	Description
1	022480-000	1	DOOR FRAME
2	PM110090	1	DOOR PANEL ASSEMBLY
3	PM110093	1	CHOKE COVER
4	PM120116	1	DOOR STOPPER (LSTPPB024MRF0)
5	022484-000	6	SCREW : 4MM X 8MM
6	PM120133	1	LATCH HEAD (LSTPPB025MRF0)
7	PM120007	1	LATCH SPRING
8	PM120134	1	DOOR CUSHION (PCUSUB073MRP0)
9	PM120033	3	SCREW ; CONTROL PANEL MTG.
10	034786-000	1	NAMEPLATE, DSNR D3, SMALL



Ref #	Part Number	Qty.	Description
1	022487-000	1	OPERATION MANUAL
2	PM120137	4	TOGGLE SCREW (LX-BZ0195WRE0)
3	022488-000	1	GROMMET
4	PM120135	1	INSTALLATION MATERIAL ASSEMBLY (CFZK-B131MRK0)
5	PM120139	2	SCREW : 4MM X 8MM
6	PM120146	1	SCREW : 4MM X 12MM
7	PM120140	6	SCREW, 5MM X 35MM
8	022491-000	1	WASHER
9	022492-000	1	MAIN HARNESS A
10	022493-000	1	HIGH VOLTAGE WIRE A
11	PM100100	1	MAIN HARNESS - C
12	022251-000	1	DHHS SERVICE CAUTION LABEL
13	022495-000	1	NHW CAUTION LABEL
14	PM120034	1	MONITOR CAUTION LABEL
15	005196-000	1	GND CAUTION LABEL
16	050588-000	1	DEFLECTOR
17	PM110075	1	TURNTABLE SUPPORT ASSEMBLY
18	PM110076	1	TURNTABLE TRAY
NI	042555-000	1	METAL TRAY GASKET
19	PM120076	2	SCREW; 4MM X 10MM
20	022500-000	1	STIRRER COVER ASSEMBLY
21	022501-000	1	STIRRER FAN ASSEMBLY
22	PM110094	1	HIGH RACK
23	PM110095	1	LOW RACK
24	PM110096	1	CHARCOAL FILTER
25	022465-000	1	TOP TEMPLATE
26	022475-000	1	INSTALLATION INSTRUCTION
27	022499-000	1	WALL TEMPLATE