

This Owner's Manual is provided and hosted by [Appliance Factory Parts](#).



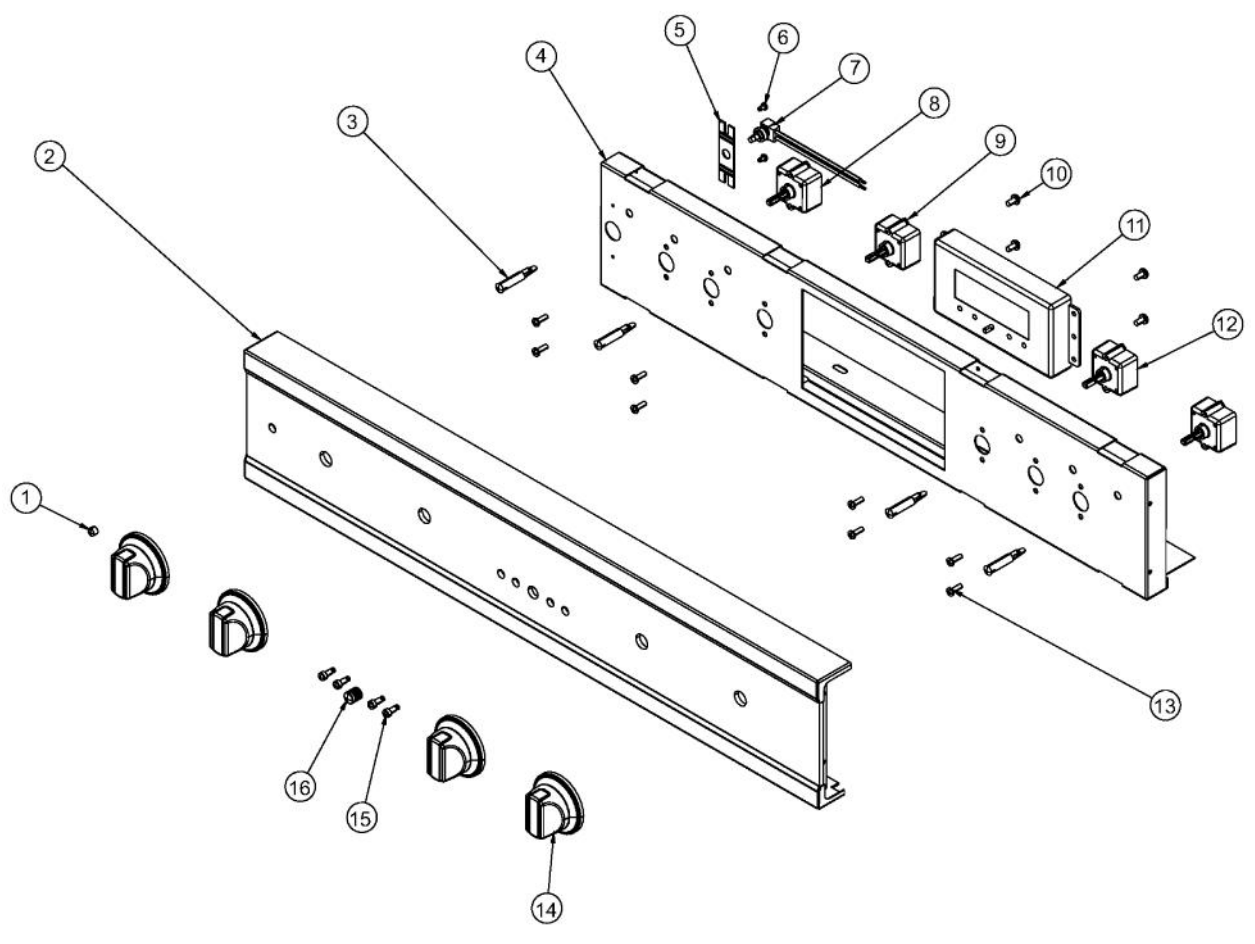
# VIKING RDDOE306 Owner's Manual

[Shop genuine replacement parts for VIKING RDDOE306](#)

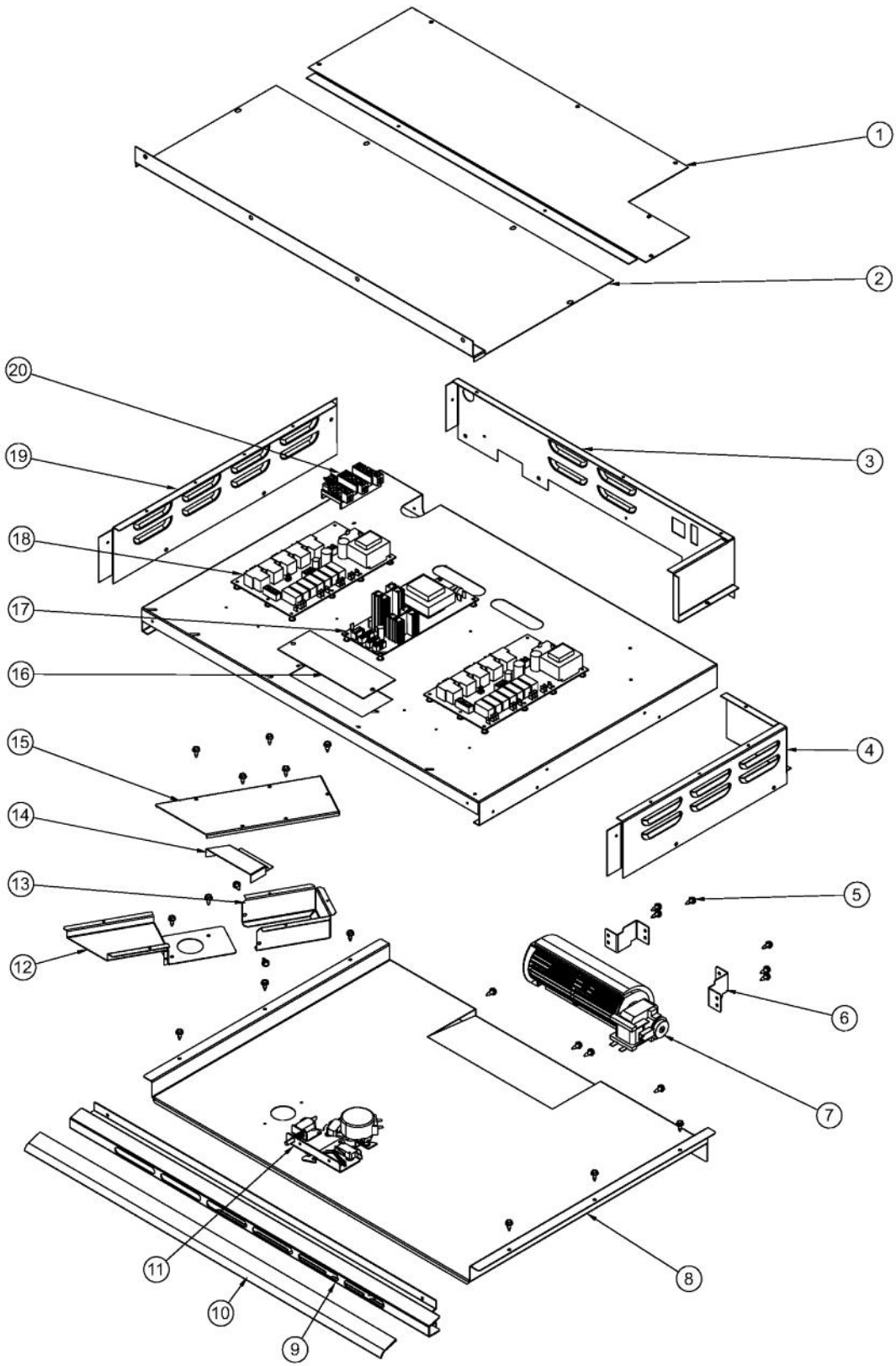


[Find Your VIKING Oven Parts - Select From 98 Models](#)

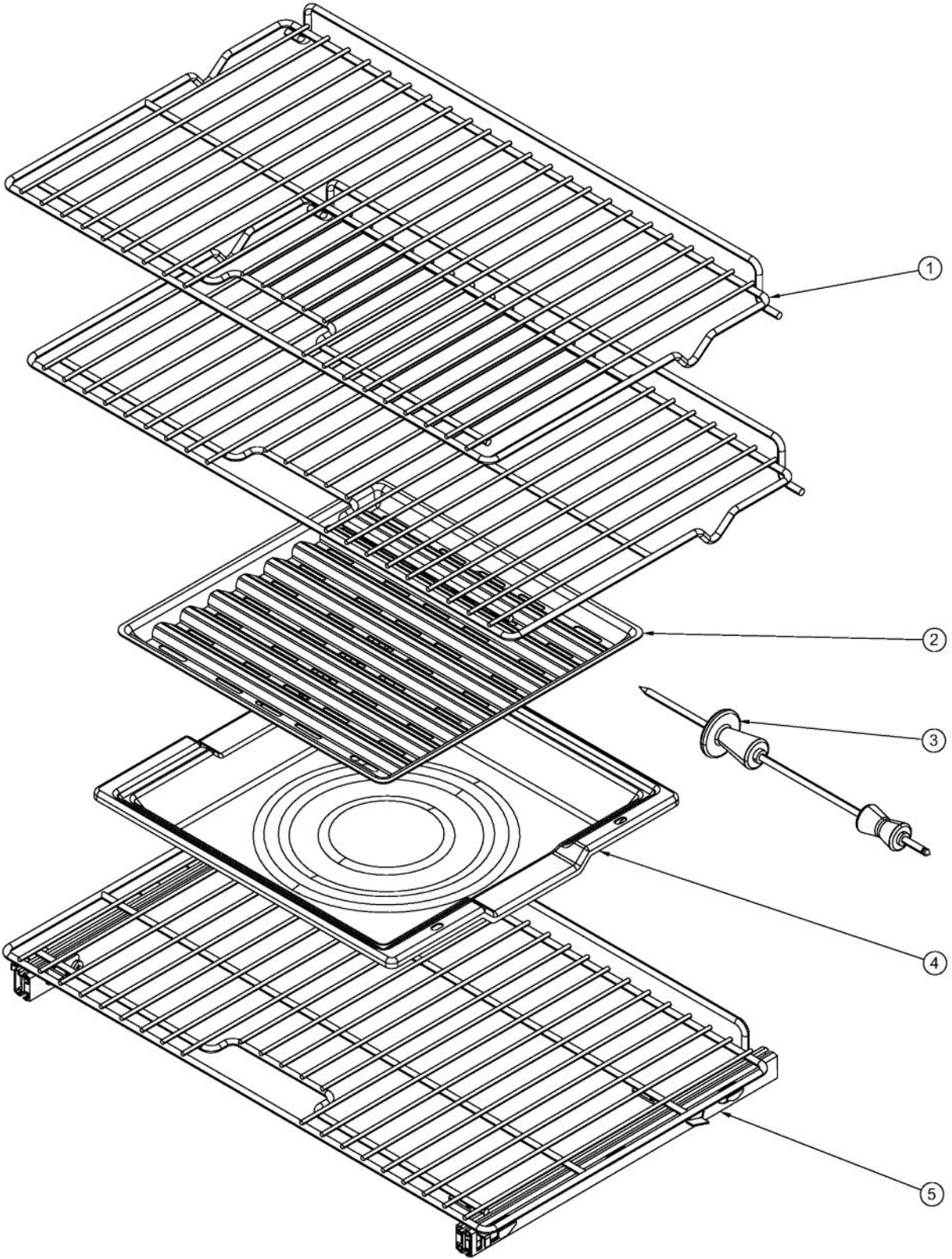
----- Manual continues below -----



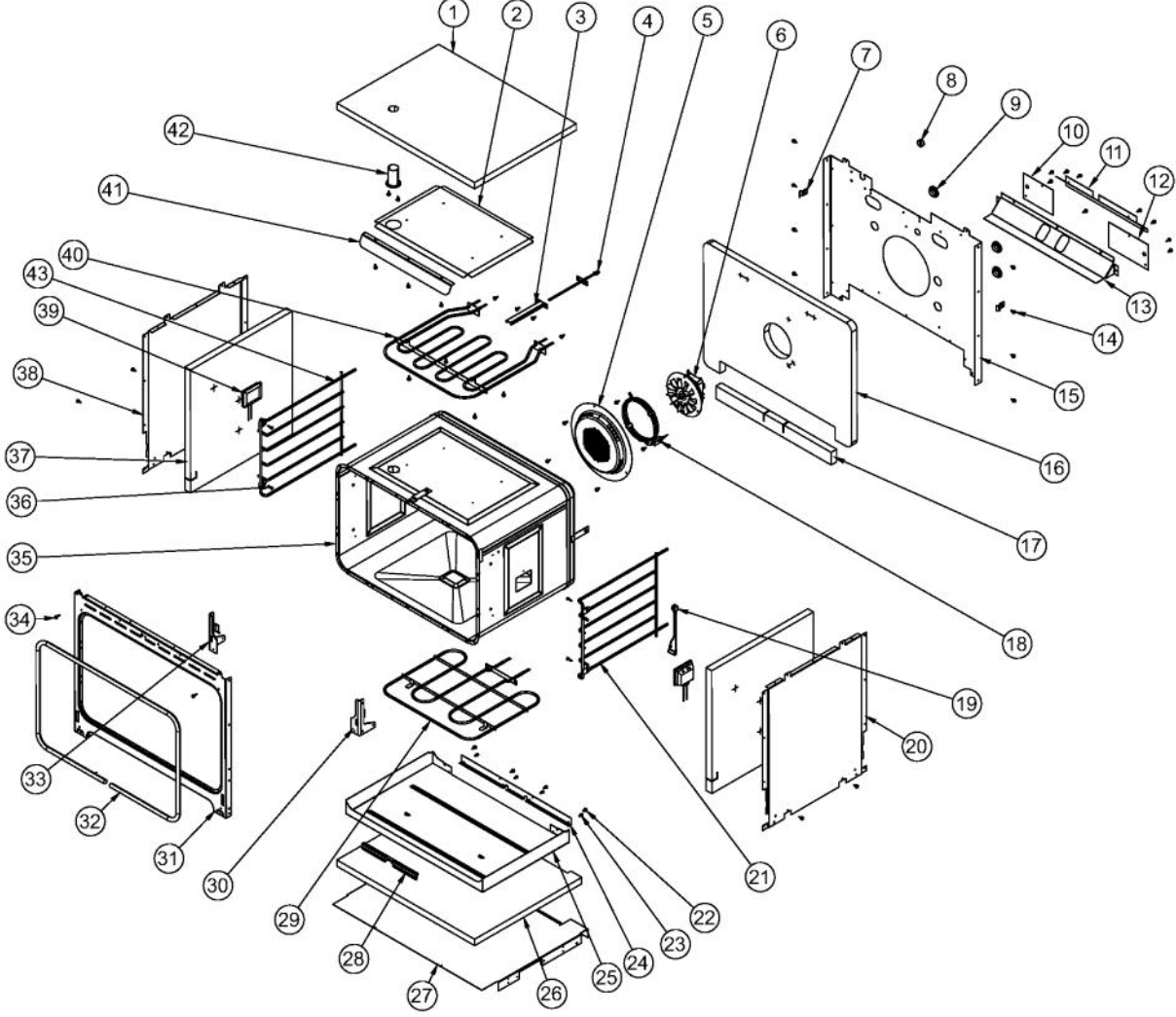
Ref #	Part Number	Qty.	Description
1	PA010093	1	DESIGNER OVEN LT SWITCH KNOB
2	039315-000	1	PANEL, CNTRL, ASM, RDDOE306, SS
2	039316-002	1	PANEL, CNTRL, ASM, RDDOE306, BK
2	039316-003	1	PANEL, CNTRL, ASM, RDDOE306, BK
2	039316-004	1	PANEL, CNTRL, ASM, RDDOE306, BK
2	039316-005	1	PANEL, CNTRL, ASM, RDDOE306, BK
2	039316-006	1	PANEL, CNTRL, ASM, RDDOE306, BK
2	039316-008	1	PANEL, CNTRL, ASM, RDDOE306, BK
2	039316-009	1	PANEL, CNTRL, ASM, RDDOE306, BK
2	039316-010	1	PANEL, CNTRL, ASM, RDDOE306, BK
2	039316-012	1	PANEL, CNTRL, ASM, RDDOE306, BK
2	039316-013	1	PANEL, CNTRL, ASM, RDDOE306, BK
2	039316-015	1	PANEL, CNTRL, ASM, RDDOE306, BK
2	039316-016	1	PANEL, CNTRL, ASM, RDDOE306, BK
2	039316-017	1	PANEL, CNTRL, ASM, RDDOE306, BK
2	039316-018	1	PANEL, CNTRL, ASM, RDDOE306, BK
2	039316-021	1	PANEL, CNTRL, ASM, RDDOE306, BK
2	039316-022	1	PANEL, CNTRL, ASM, RDDOE306, BK
2	039316-023	1	PANEL, CNTRL, ASM, RDDOE306, BK
2	039316-024	1	PANEL, CNTRL, ASM, RDDOE306, BK
2	039316-025	1	PANEL, CNTRL, ASM, RDDOE306, BK
2	039316-051	1	PANEL, CNTRL, ASM, RDDOE306, BK
2	039316-052	1	PANEL, CNTRL, ASM, RDDOE306, BK
2	039316-053	1	PANEL, CNTRL, ASM, RDDOE306, BK
2	039316-054	1	PANEL, CNTRL, ASM, RDDOE306, BK
3	015043-000	4	INDICATOR, LIGHT, BLUE LED
4	019340-000	1	CONTROL MOUNT
5	A10014045	1	LIGHT SWITCH BRACKET
6	PD020006	2	NO.6-32 X 1/4 PH.PAN HD. T(F)
7	PE050076	1	DESIGNER OVEN LIGHT SWITCH
8	PJ030033	1	SELECTOR (10 POS)
9	PJ030035	2	THERMOSTAT
10	PD020004	4	10X3/8PH.HD.TYPE 25 REPL PD040125
11	015195-000	1	CLOCK, TOD2, DESIGNER (BEFORE 9/7/12)
11	039199-000	1	D3 PREMIERE CLOCK KIT (ON OR AFTER 9/7/12)
12	PJ030034	1	SELECTOR (6 POS)
13	PD020261	8	NO.8-32X1/2 PH PANHEAD MACH. SCREW
14	031594-000	4	KNOB, ASSEMBLY, WALL OVEN, BLADE, D3
15	PB010315	4	DES. CLOCK BUTTON
16	PB010222	1	DESIGNER BIT GENERATOR KNOB



Ref #	Part Number	Qty.	Description
1	015776-000	1	PANEL, ACS, TOP, REAR
2	012541-000	1	PANEL, ACS, FR
3	020956-000	1	COVER, BACK, SINGLE
4	015777-000	1	TOP SIDE, RH
5	003860-000	25	NO.10-18 X .500 FASTNR,SCR,HXWH,STL,ZPLT
6	008899-000	2	COOLING FAN BRACKET
7	PE050250	1	PREMIUM BLOWER WITH HES BEFORE 9/26/12
7	018607-000	1	FAN,BLO, 220-240V 50/60HZ ASSY AFTER 9/26/12
8	008901-000	1	RETAINER INSL, TOP
9	008931-000	1	MID/UPPER VENT EXTRUSION
10	009011-000	1	LOUVER EXTRUSION
11	008890-000	1	DOOR LATCH
12	008902-000	1	SMOKE ELIM VENT BOTTOM
13	008912-000	1	SMOKE ELIMIN BACK
14	008914-000	1	TRIM, VENT, SEAL
15	008913-000	1	SMOKE ELIM VENT, TOP
16	020545-000	1	COVER, ACCESS
17	015201-000	1	LINEAR POWER SUPPLY
18	038419-000	2	CONTROL,BD,EOC4, CB
19	012540-000	1	TOP SIDE, LH
20	PE070147	1	TERMINAL BLOCK

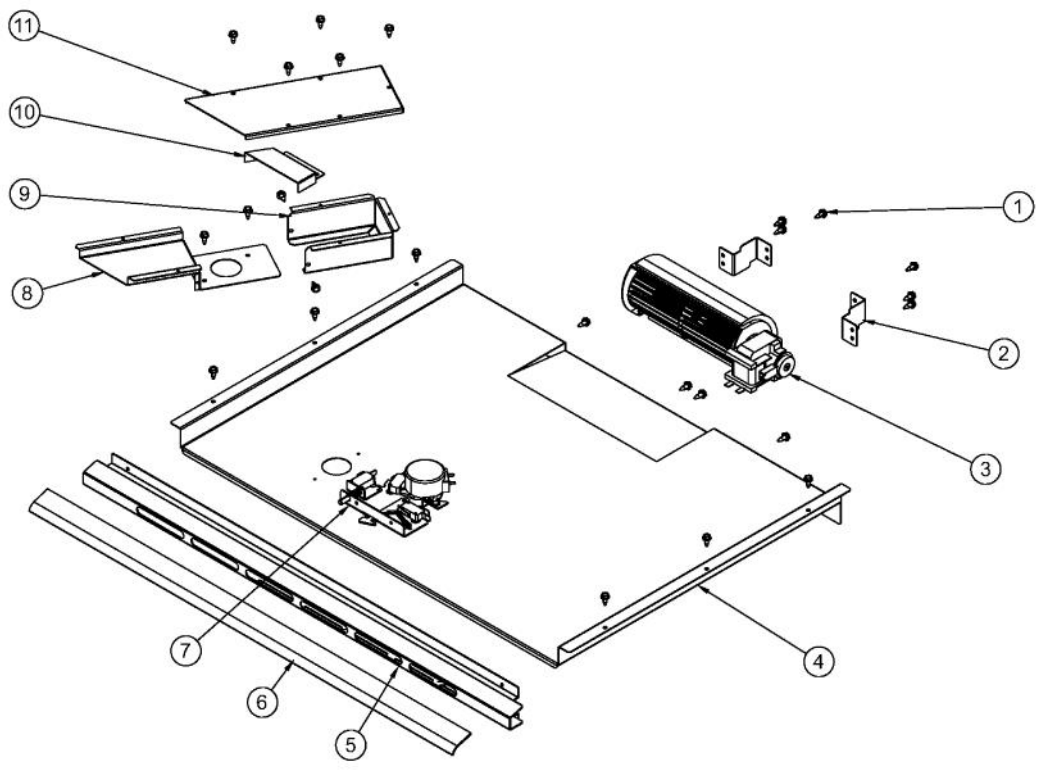


Ref #	Part Number	Qty.	Description
1	027919-000	2	OVEN RACK D3 (AS OF 6/14/12)
2	014924-402	1	INSERT, BROILER, BLACK PORCELAIN
3	013803-000	1	PROBE, MEAT, DESIGNER
4	014923-402	1	PAN, BROILER, BLACK PORCELAIN
5	029894-000	1	D3 GLIDE RACK, WALL OVEN 30 (AS OF 6/14/12)

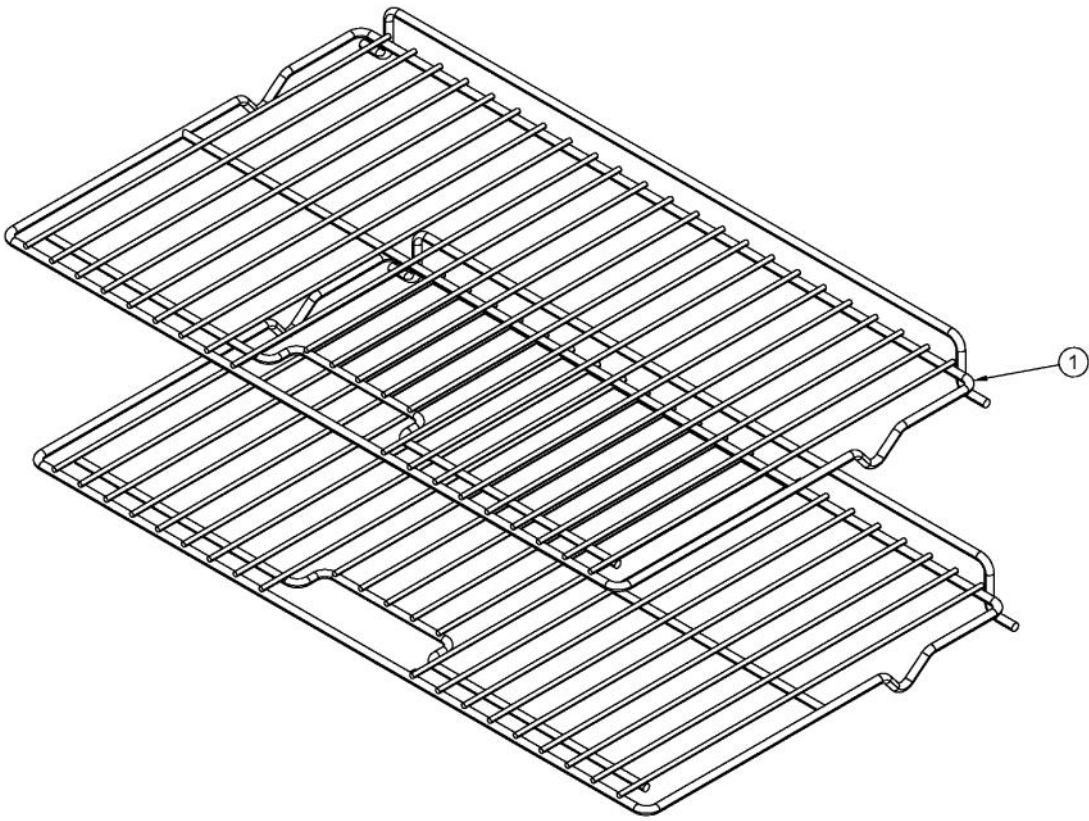




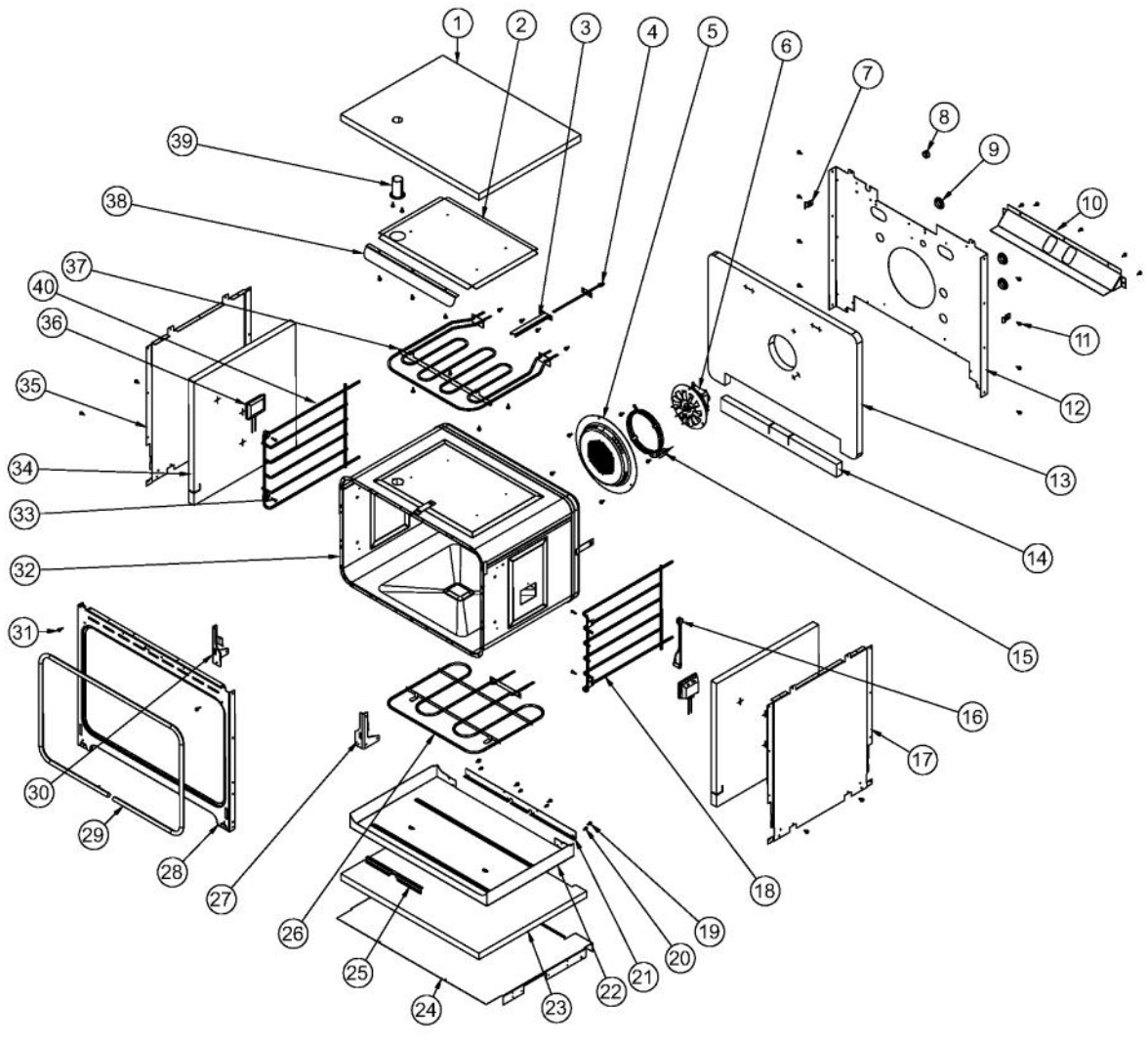
Ref #	Part Number	Qty.	Description
1	013502-000	1	INSULATION, TOP, DESIGNER
2	008867-000	1	BROIL REFLECTOR
3	008872-000	1	RTD COVER
4	008870-000	1	RTD
5	013580-402	1	CONV COVER W/BK PORC
6	019668-000	1	FAN, CONV, ASM
7	013070-000	2	SIDE SPACER
8	PD040005	1	SNAP BUSHING - 7/8
9	PB070079	3	SILICONE EXTRUSION (DGSU)
10	009020-000	1	COVER, RH
11	009010-000	1	AIR DEFLECTOR
12	009018-000	1	COVER, REAR
13	008898-000	1	FAN DEFLECTOR
14	003860-000	21	NO.10-18 X .500 FASTNR,SCR,HXWH,STL,ZPLT
15	008888-000	1	BACK INS RETAINER
16	008860-000	1	INSULATION BACK
17	013504-000	1	BAKE INSULATION
18	008862-000	1	CONV ELEMENT
19	008880-000	1	MEAT PROBE RECEPTACLE ASM
20	008896-000	1	COVER, INSL, SIDE
21	036573-402	1	RACK SUPPORT RT
22	PD020048	22	NO.10 X 1/2 TEK 410 SS SCREW
23	008856-000	4	SCR,NO.8-18 HEX, SERRATED, WASHER, HD.
24	008855-000	1	COVER BAKE TRAY
25	008857-000	1	COVER BAKE ELEMENT
26	013503-000	1	INSULATION, BOTTOM, DESIGNER
27	008889-000	1	RETAINER, BOT, INSULATION
28	013626-000	1	PAINTED GASKET CLIP
29	008854-000	1	BAKE ELEMENT
30	008895-000	1	RECEIVER, HINGE RIGHT
31	013505-402	1	FRONT FRAME W/BK PORC
32	009007-000	1	DOOR GASKET
33	008894-000	1	RECEIVER, HINGE LEFT
34	008864-000	2	SILICONE BUMPER
35	NON-SERVICEABLE	1	TUB WELDMENT
36	PD020232	4	NO.8 X 3/4 PH PAN HEAD TEK SCREW (BLACK OXIDE)
37	023097-000	2	INSULATION, SIDE, DESIGNER
38	008896-000	1	COVER, INSL, SIDE
39	020403-000	2	BJB SLIMLINE 40W BULB
40	008871-000	1	BROIL ELEMENT
41	013753-402	1	DEFLECTOR, BRL, ASM W/BK PORC
42	008868-000	1	SMOKE ELIMINATOR
43	036548-402	1	RACK SUPPORT LT



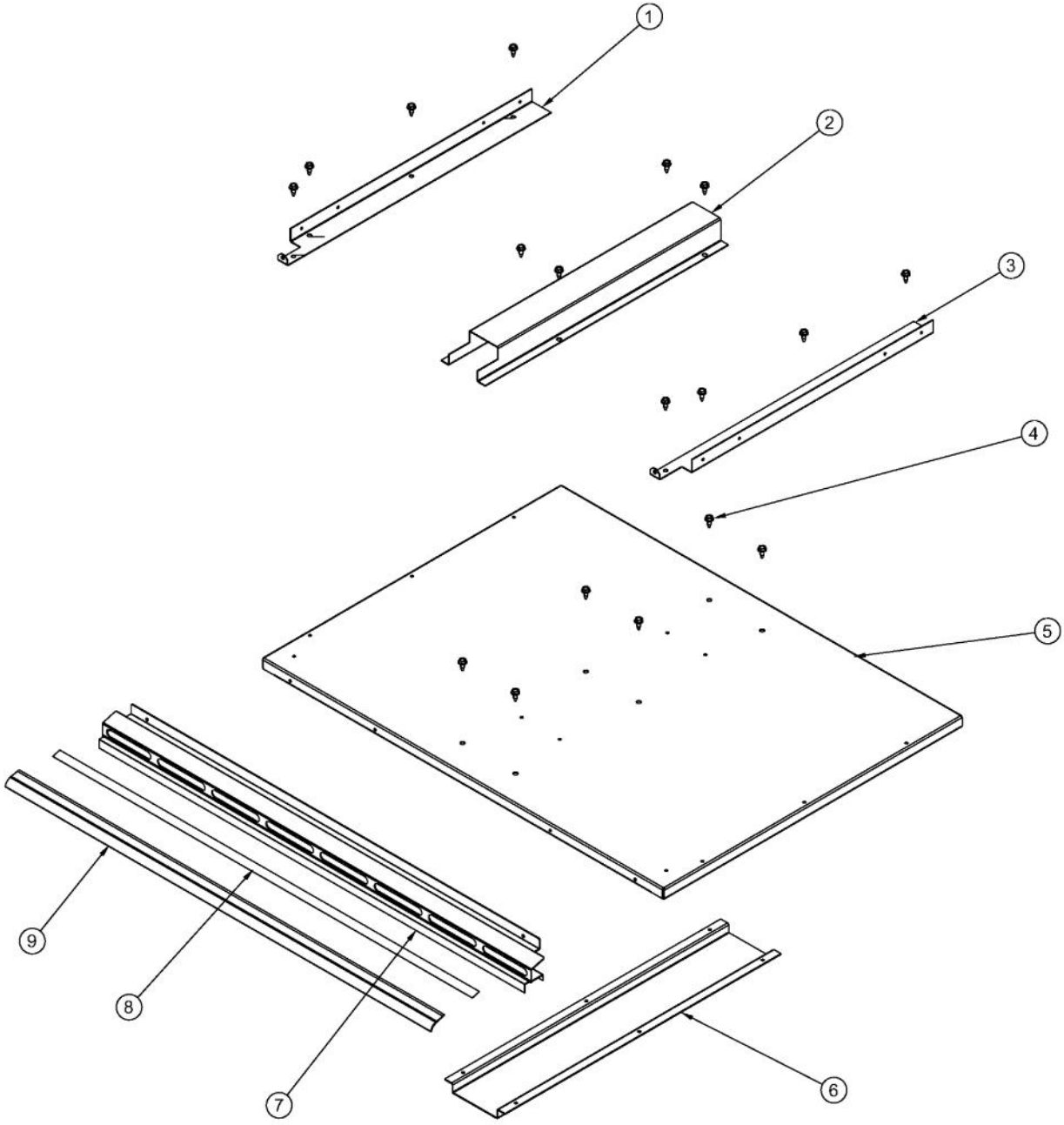
Ref #	Part Number	Qty.	Description
1	003860-000	25	NO.10-18 X .500 FASTNR,SCR,HXWH,STL,ZPLT
2	008899-000	2	COOLING FAN BRACKET
3	PE050250	1	PREMIUM BLOWER WITH HES BEFORE 9/26/12 AFTER 9/26/12
4	008901-000	1	RETAINER INSL, TOP
5	008931-000	1	MID/UPPER VENT EXTRUSION
6	015712-000	1	LOUVER, EXTD, DESIGNER
7	008890-000	1	DOOR LATCH
8	008902-000	1	SMOKE ELIM VENT BOTTOM
9	008912-000	1	SMOKE ELIMIN BACK
10	008914-000	1	TRIM, VENT, SEAL
11	008913-000	1	SMOKE ELIM VENT, TOP



Ref #	Part Number	Qty.	Description
1	027919-000	2	OVEN RACK D3

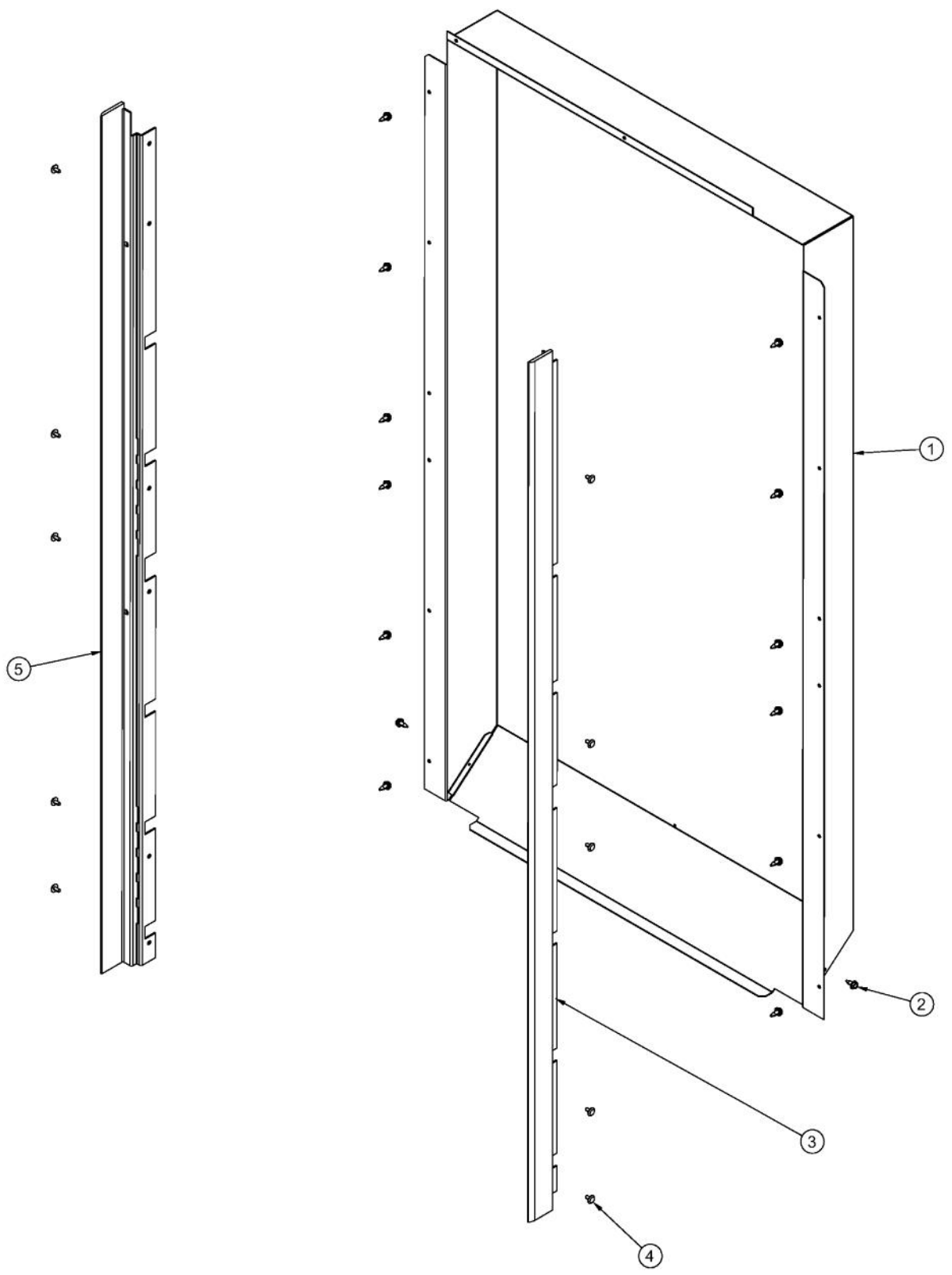


Ref #	Part Number	Qty.	Description
1	013502-000	1	INSULATION, TOP, DESIGNER
2	008867-000	1	BROIL REFLECTOR
3	008872-000	1	RTD COVER
4	008870-000	1	RTD
5	013580-402	1	CONV COVER W/BK PORC
6	019668-000	1	FAN, CONV, ASM
7	013070-000	2	SIDE SPACER
8	PD040005	1	SNAP BUSHING - 7/8
9	PB070079	3	SILICONE EXTRUSION (DGSU)
10	008898-000	1	FAN DEFLECTOR
11	003860-000	17	NO.10-18 X .500 FASTNR,SCR,HXWH,STL,ZPLT
12	008888-000	1	BACK INS RETAINER
13	008860-000	1	INSULATION BACK
14	013504-000	1	BAKE INSULATION
15	008862-000	1	CONV ELEMENT
16	008880-000	1	MEAT PROBE RECEPTACLE ASM
17	008896-000	1	COVER, INSL, SIDE
18	036573-402	1	RACK SUPPORT RT (AS OF 6/14/12)
19	PD020048	22	NO.10 X 1/2 TEK 410 SS SCREW
20	008856-000	4	SCR,NO.8-18 HEX, SERRATED, WASHER, HD.
21	008855-000	1	COVER BAKE TRAY
22	008857-000	1	COVER BAKE ELEMENT
23	013503-000	1	INSULATION, BOTTOM, DESIGNER
24	008889-000	1	RETAINER, BOT, INSULATION
25	013626-000	1	PAINTED GASKET CLIP
26	008854-000	1	BAKE ELEMENT
27	008895-000	1	RECEIVER, HINGE RIGHT
28	013505-402	1	FRONT FRAME W/BK PORC
29	009007-000	1	DOOR GASKET
30	008894-000	1	RECEIVER, HINGE LEFT
31	008864-000	2	SILICONE BUMPER
32	NON-SERVICEABLE	1	TUB WELDMENT
33	PD020232	4	NO.8 X 3/4 PH PAN HEAD TEK SCREW (BLACK OXIDE)
34	023097-000	2	INSULATION, SIDE, DESIGNER
35	008896-000	1	COVER, INSL, SIDE
36	020403-000	2	BJB SLIMLINE 40W BULB
37	008871-000	1	BROIL ELEMENT
38	013753-402	1	DEFLECTOR, BRL, ASM W/BK PORC
39	008868-000	1	SMOKE ELIMINATOR
40	036548-402	1	RACK SUPPORT LT (AS OF 6/14/12)

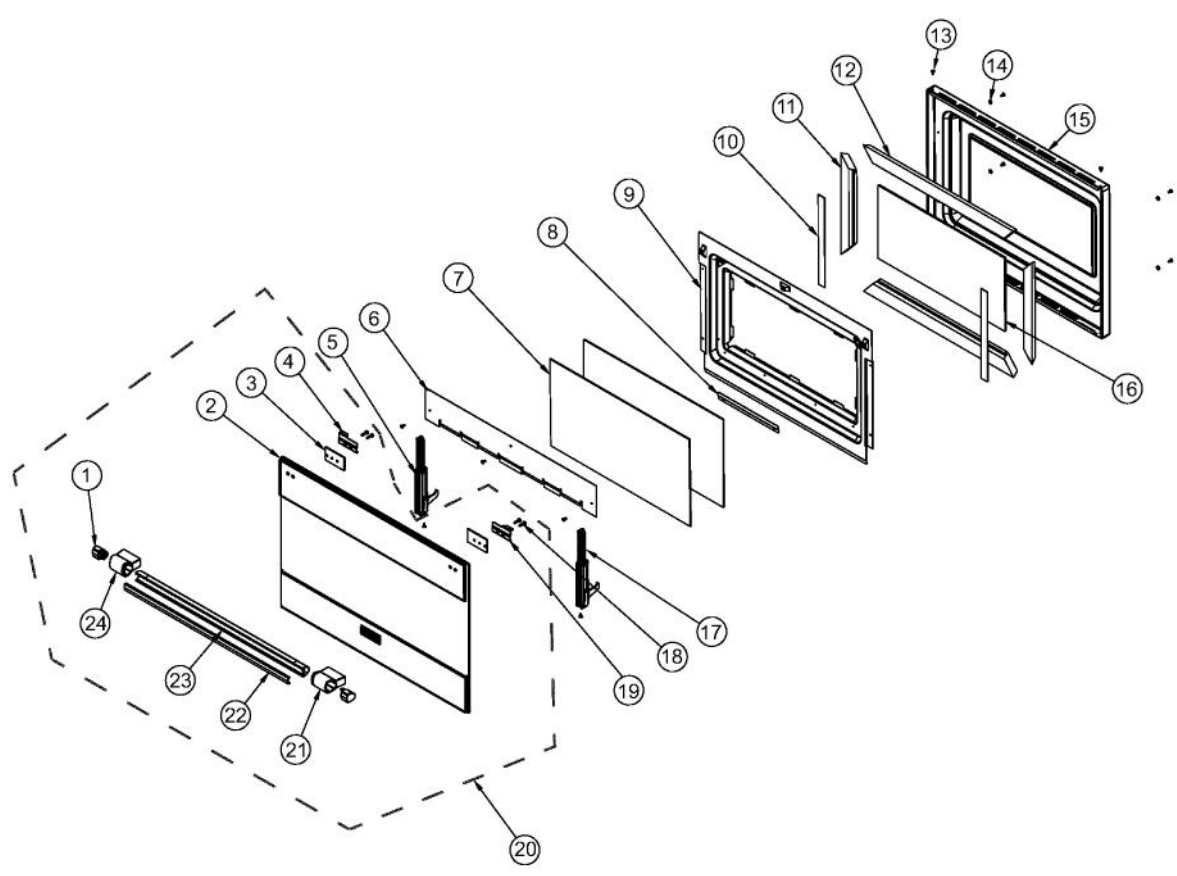




Ref #	Part Number	Qty.	Description
1	020952-000	1	BRACKET, BOTT, SIDE, LH
2	020955-000	1	BRACE, CENTER
3	020947-000	1	BRACKET, BOTT, SIDE, RH
4	003860-000	18	NO.10-18 X .500 FASTNR,SCR,HXWH,STL,ZPLT
5	020941-000	1	BASE, MAIN
6	020962-000	1	BRACE, BOTTOM
7	008932-000	1	LOWER VENT EXTRUSION
8	015868-000	1	TAPE, .010 3M VHB 4926
9	015712-000	1	LOUVER, EXTD, DESIGNER

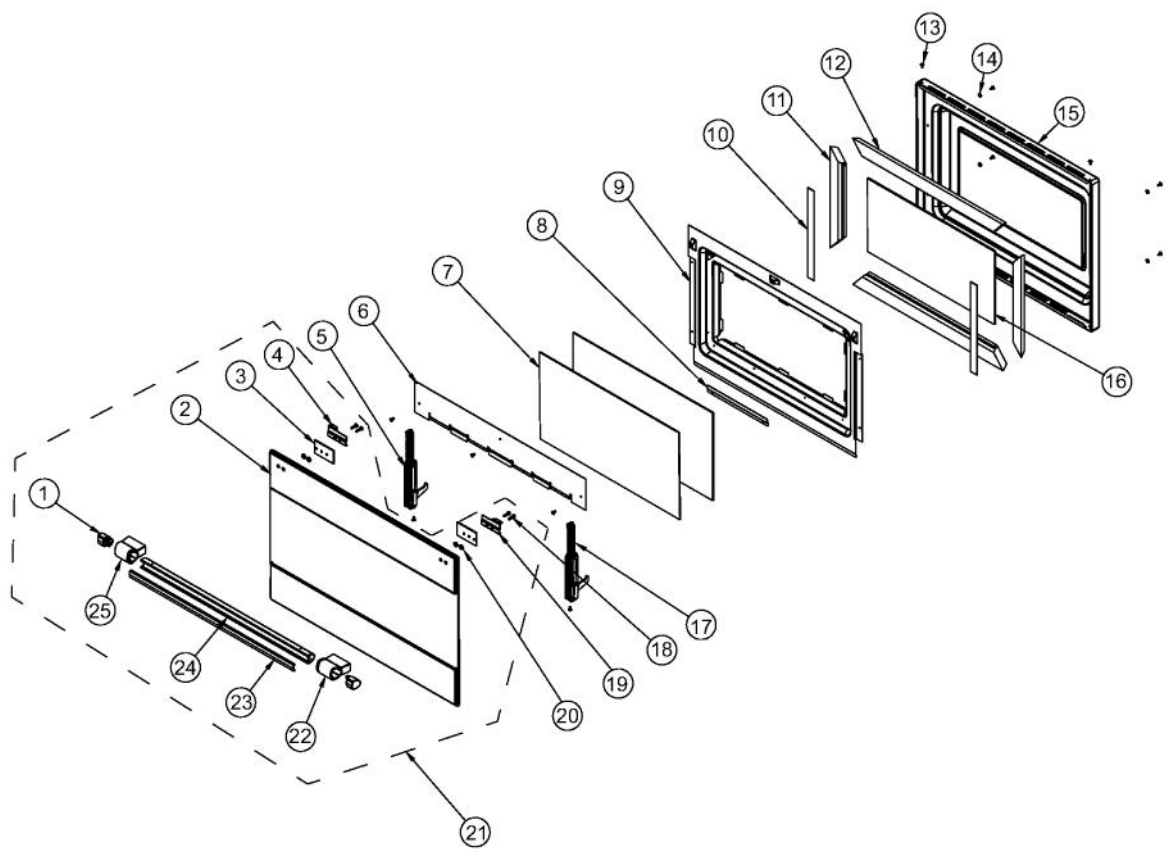


Ref #	Part Number	Qty.	Description
1	020957-000	1	COVER, BACK, DOUBLE
2	003860-000	14	NO.10-18 X .500 FASTNR,SCR,HXWH,STL,ZPLT
3	011323-000	1	DOUBLE RH SIDE TRIM EXTRUSION
4	PD020032	10	SRW-8(A)X3/8PH.WFR HD 7/16DIAXNICL
5	011324-000	1	DOUBLE LH SIDE TRIM EXTRUSION



Ref #	Part Number	Qty.	Description
1	028002-000	2	CAP, HANDLE, D3
2	039266-000	1	SKIN ASM, DOOR, W/LOGO, SS
2	039267-002	1	SKIN ASM, DOOR, W/LOGO, BK
2	039267-003	1	SKIN ASM, DOOR, W/LOGO, BT
2	039267-004	1	SKIN ASM, DOOR, W/LOGO, SG
2	039267-005	1	SKIN ASM, DOOR, W/LOGO, GG
2	039267-006	1	SKIN ASM, DOOR, W/LOGO, WH
2	039267-008	1	SKIN ASM, DOOR, W/LOGO, BU
2	039267-009	1	SKIN ASM, DOOR, W/LOGO, LE
2	039267-010	1	SKIN ASM, DOOR, W/LOGO, MJ
2	039267-012	1	SKIN ASM, DOOR, W/LOGO, VB
2	039267-013	1	SKIN ASM, DOOR, W/LOGO, CB
2	039267-015	1	SKIN ASM, DOOR, W/LOGO, PL
2	039267-016	1	SKIN ASM, DOOR, W/LOGO, CH
2	039267-017	1	SKIN ASM, DOOR, W/LOGO, TP
2	039267-018	1	SKIN ASM, DOOR, W/LOGO, CW
2	039267-021	1	SKIN ASM, DOOR, W/LOGO, SA
2	039267-022	1	SKIN ASM, DOOR, W/LOGO, SE
2	039267-023	1	SKIN ASM, DOOR, W/LOGO, IB
2	039267-024	1	SKIN ASM, DOOR, W/LOGO, AR
2	039267-025	1	SKIN ASM, DOOR, W/LOGO, RR
2	039267-051	1	SKIN ASM, DOOR, W/LOGO, CN
2	039267-052	1	SKIN ASM, DOOR, W/LOGO, DJ
2	039267-053	1	SKIN ASM, DOOR, W/LOGO, KB
2	039267-054	1	SKIN ASM, DOOR, W/LOGO, WS
3	008971-000	2	SPACER, DOOR, HANDLE
4	008973-000	1	CLIP, GL, DOOR, LH
5	008958-000	1	HINGE LH
6	008959-000	1	RETAINER, GL, TOP
7	008952-000	2	INNER DOOR GLASS
8	008954-000	1	RETAINER, GL, BOT
9	030622-000	1	DOOR INSUL, RETAINER
10	020510-000	2	TAPE, VINYL, SINGLE COATED
11	008960-000	2	DOOR INSULATION VERTICAL
12	008962-000	2	DOOR INSULATION HORIZONTAL
13	008863-000	14	SCREW NO.8 - 18 X 3/8, PHIL, LOW PROFILE TRUSS
14	021181-000	4	WASHER, FIBER
15	030620-402	1	DOOR PLUG W/BK PORC
16	008949-000	1	INNER DOOR GLASS
17	008955-000	1	HINGE RH
18	008974-000	4	SCREW 10 - 32 X 3/4 SLOT HEX WASHER
19	008972-000	1	CLIP, GL, DOOR, RH
20	030635-000	1	OUTER DOOR PANEL ASM W/LOGO, SS
20	035272-002	1	OUTER DOOR PANEL ASM, W/LOGO, BK
20	035272-003	1	OUTER DOOR PANEL ASM, W/LOGO, BT
20	035272-004	1	OUTER DOOR PANEL ASM, W/LOGO, SG
20	035272-005	1	OUTER DOOR PANEL ASM, W/LOGO, GG
20	035272-006	1	OUTER DOOR ASM, W/LOGO, WH
20	035272-008	1	OUTER DOOR PANEL ASM, W/LOGO, BU
20	035272-009	1	OUTER DOOR PANEL ASM, W/LOGO, LE
20	035272-010	1	OUTER DOOR PANEL ASM, W/LOGO, MJ
20	035272-012	1	OUTER DOOR PANEL ASM, W/LOGO, VB
20	035272-013	1	OUTER DOOR PANEL ASM, W/LOGO, CB
20	035272-015	1	OUTER DOOR PANEL ASM, W/LOGO, PL
20	035272-016	1	OUTER DOOR PANEL ASM, W/LOGO, CH
20	035272-017	1	OUTER DOOR PANEL ASM, W/LOGO, TP
20	035272-018	1	OUTER DOOR PANEL ASM, W/LOGO, CW
20	035272-021	1	OUTER DOOR PANEL ASM, W/LOGO, SA
20	035272-022	1	OUTER DOOR PANEL ASM, W/LOGO, SE
20	035272-023	1	OUTER DOOR PANEL ASM, W/LOGO, IB

Ref #	Part Number	Qty.	Description
20	035272-023	1	OUTER DOOR PANEL ASM, W/LOGO, IB
20	035272-024	1	OUTER DOOR PANEL ASM, W/LOGO, AR
20	035272-025	1	OUTER DOOR PANEL ASM, W/LOGO, RR
20	035272-051	1	OUTER DOOR PANEL ASM, W/LOGO, CN
20	035272-052	1	OUTER DOOR PANEL ASM, W/LOGO, DJ
20	035272-053	1	OUTER DOOR PANEL ASM, W/LOGO, KB
20	035272-054	1	OUTER DOOR PANEL ASM, W/LOGO, WS
21	028000-000	1	ENDCAP, RH, D3
22	027988-000	1	INSERT, D3 30 HANDLE
23	027986-000	1	HANDLE, D3 30
24	028001-000	1	ENDCAP, LH,D3
NI	030639-000	1	DOOR ASM W/LOGO, SS
NI	035274-002	1	DOOR ASM, W/LOGO, BK
NI	035274-003	1	DOOR ASM, W/LOGO, BT
NI	035274-004	1	DOOR ASM, W/LOGO, SG
NI	035274-005	1	DOOR ASM, W/LOGO, GG
NI	035274-006	1	DOOR ASM, W/LOGO, WH
NI	035274-008	1	DOOR ASM, W/LOGO, BU
NI	035274-009	1	DOOR ASM, W/LOGO, LE
NI	035274-010	1	DOOR ASM, W/LOGO, MJ
NI	035274-012	1	DOOR ASM, W/LOGO, VB
NI	035274-013	1	DOOR ASM, W/LOGO, CB
NI	035274-015	1	DOOR ASM, W/LOGO, PL
NI	035274-016	1	DOOR ASM, W/LOGO, CH
NI	035274-017	1	DOOR ASM, W/LOGO, TP
NI	035274-018	1	DOOR ASM, W/LOGO, CW
NI	035274-021	1	DOOR ASM, W/LOGO, SA
NI	035274-022	1	DOOR ASM, W/LOGO, SE
NI	035274-023	1	DOOR ASM, W/LOGO, IB
NI	035274-024	1	DOOR ASM, W/LOGO, AR
NI	035274-025	1	DOOR ASM, W/LOGO, RR
NI	035274-051	1	DOOR ASM, W/LOGO, CN
NI	035274-052	1	DOOR ASM, W/LOGO, DJ
NI	035274-053	1	DOOR ASM, W/LOGO, KB
NI	035274-054	1	DOOR ASM, W/LOGO, WS



Ref #	Part Number	Qty.	Description
1	028002-000	2	CAP, HANDLE, D3
2	039268-000	1	SKIN ASM, DOOR, W/O LOGO, SS
2	039269-002	1	SKIN ASM, DOOR, W/O LOGO, BK
2	039269-003	1	SKIN ASM, DOOR, W/O LOGO, BT
2	039269-004	1	SKIN ASM, DOOR, W/O LOGO, SG
2	039269-005	1	SKIN ASM, DOOR, W/O LOGO, GG
2	039269-006	1	SKIN ASM, DOOR, W/O LOGO, WH
2	039269-008	1	SKIN ASM, DOOR, W/O LOGO, BU
2	039269-009	1	SKIN ASM, DOOR, W/O LOGO, LE
2	039269-010	1	SKIN ASM, DOOR, W/O LOGO, MJ
2	039269-012	1	SKIN ASM, DOOR, W/O LOGO, VB
2	039269-013	1	SKIN ASM, DOOR, W/O LOGO, CB
2	039269-015	1	SKIN ASM, DOOR, W/O LOGO, PL
2	039269-016	1	SKIN ASM, DOOR, W/O LOGO, CH
2	039269-017	1	SKIN ASM, DOOR, W/O LOGO, TP
2	039269-018	1	SKIN ASM, DOOR, W/O LOGO, CW
2	039269-021	1	SKIN ASM, DOOR, W/O LOGO, SA
2	039269-022	1	SKIN ASM, DOOR, W/O LOGO, SE
2	039269-023	1	SKIN ASM, DOOR, W/O LOGO, IB
2	039269-024	1	SKIN ASM, DOOR, W/O LOGO, AR
2	039269-025	1	SKIN ASM, DOOR, W/O LOGO, RR
2	039269-051	1	SKIN ASM, DOOR, W/O LOGO, CN
2	039269-052	1	SKIN ASM, DOOR, W/O LOGO, DJ
2	039269-053	1	SKIN ASM, DOOR, W/O LOGO, KB
2	039269-054	1	SKIN ASM, DOOR, W/O LOGO, WS
3	008971-000	2	SPACER, DOOR, HANDLE
4	008973-000	1	CLIP, GL, DOOR, LH
5	008958-000	1	HINGE LH
6	008959-000	1	RETAINER, GL, TOP
7	008952-000	2	INNER DOOR GLASS
8	008954-000	1	RETAINER, GL, BOT
9	030622-000	1	DOOR INSUL, RETAINER
10	020510-000	2	TAPE, VINYL, SINGLE COATED
11	008960-000	2	DOOR INSULATION VERTICAL
12	008962-000	2	DOOR INSULATION HORIZONTAL
13	008863-000	14	SCREW NO.8 - 18 X 3/8, PHIL, LOW PROFILE TRUSS
14	021181-000	4	WASHER, FIBER
15	030620-402	1	DOOR PLUG W/BK PORC
16	008949-000	1	INNER DOOR GLASS
17	008955-000	1	HINGE RH
18	008974-000	4	SCREW 10 - 32 X 3/4 SLOT HEX WASHER
19	008972-000	1	CLIP, GL, DOOR, RH
21	030636-000	1	OUTER DOOR PANEL ASM, W/O LOGO, SS
21	035273-002	1	OUTER DOOR PANEL ASM, W/O LOGO, BK
21	035273-003	1	OUTER DOOR PANEL ASM, W/O LOGO, BT
21	035273-004	1	OUTER DOOR PANEL ASM, W/O LOGO, SG
21	035273-005	1	OUTER DOOR PANEL ASM, W/O LOGO, GG
21	035273-006	1	OUTER DOOR PANEL ASM, W/O LOGO, WH
21	035273-008	1	OUTER DOOR PANEL ASM, W/O LOGO, BU
21	035273-009	1	OUTER DOOR PANEL ASM, W/O LOGO, LE
21	035273-010	1	OUTER DOOR PANEL ASM, W/O LOGO, MJ
21	035273-012	1	OUTER DOOR PANEL ASM, W/O LOGO, VB
21	035273-013	1	OUTER DOOR PANEL ASM, W/O LOGO, CB
21	035273-015	1	OUTER DOOR PANEL ASM, W/O LOGO, PL
21	035273-016	1	OUTER DOOR PANEL ASM, W/O LOGO, CH
21	035273-017	1	OUTER DOOR PANEL ASM, W/O LOGO, TP
21	035273-018	1	OUTER DOOR PANEL ASM, W/O LOGO, CW
21	035273-021	1	OUTER DOOR PANEL ASM, W/O LOGO, SA
21	035273-022	1	OUTER DOOR PANEL ASM, W/O LOGO, SE
21	035273-023	1	OUTER DOOR PANEL ASM, W/O LOGO, IB



Ref #	Part Number	Qty.	Description
21	035273-023	1	OUTER DOOR PANEL ASM, W/O LOGO, IB
21	035273-024	1	OUTER DOOR PANEL ASM, W/O LOGO, AR
21	035273-025	1	OUTER DOOR PANEL ASM, W/O LOGO, RR
21	035273-051	1	OUTER DOOR PANEL ASM, W/O LOGO, CN
21	035273-052	1	OUTER DOOR PANEL ASM, W/O LOGO, DJ
21	035273-053	1	OUTER DOOR PANEL ASM, W/O LOGO, KB
21	035273-054	1	OUTER DOOR PANEL ASM, W/O LOGO, WS
22	028000-000	1	ENDCAP, RH, D3
23	027988-000	1	INSERT, D3 30 HANDLE
24	027986-000	1	HANDLE, D3 30
25	028001-000	1	ENDCAP, LH,D3
NI	030638-000	1	OVEN DOOR ASM, W/O LOGO, SS
NI	035275-002	1	DOOR ASM, W/O LOGO, BK
NI	035275-003	1	DOOR ASM, W/O LOGO, BT
NI	035275-004	1	DOOR ASM, W/O LOGO, SG
NI	035275-005	1	DOOR ASM, W/O LOGO, GG
NI	035275-006	1	DOOR ASM, W/O LOGO, WH
NI	035275-008	1	DOOR ASM, W/O LOGO, BU
NI	035275-009	1	DOOR ASM, W/O LOGO, LE
NI	035275-010	1	DOOR ASM, W/O LOGO, MJ
NI	035275-012	1	DOOR ASM, W/O LOGO, VB
NI	035275-013	1	DOOR ASM, W/O LOGO, CB
NI	035275-015	1	DOOR ASM, W/O LOGO, PL
NI	035275-016	1	DOOR ASM, W/O LOGO, CH
NI	035275-017	1	DOOR ASM, W/O LOGO, TP
NI	035275-018	1	DOOR ASM, W/O LOGO, CW
NI	035275-021	1	DOOR ASM, W/O LOGO, SA
NI	035275-022	1	DOOR ASM, W/O LOGO, SE
NI	035275-023	1	DOOR ASM, W/O LOGO, IB
NI	035275-024	1	DOOR ASM, W/O LOGO, AR
NI	035275-025	1	DOOR ASM, W/O LOGO, RR
NI	035275-051	1	DOOR ASM, W/O LOGO, CN
NI	035275-052	1	DOOR ASM, W/O LOGO, DJ
NI	035275-053	1	DOOR ASM, W/O LOGO, KB
NI	035275-054	1	DOOR ASM, W/O LOGO, WS

*No Image  
Available*

Ref #	Part Number	Qty.	Description
NI	016290-000	1	HARNESS, LATCH (BEFORE 5/21/13)
NI	041666-000	1	HARNESS,LATCH (ON OR AFTER 5/21/13)
NI	036541-000	1	HARN, W, UPR, RDDOE306 (BEFORE 5/21/13)
NI	041668-000	1	HARN,W,UPR (ON OR AFTER 5/21/13)
NI	036542-000	1	HARN, W, LWR, RDDOE306? (BEFORE 5/21/13)
NI	041667-000	1	HARN,W,LWR (ON OR AFTER 5/21/13)