

This Owner's Manual is provided and hosted by [Appliance Factory Parts](#).



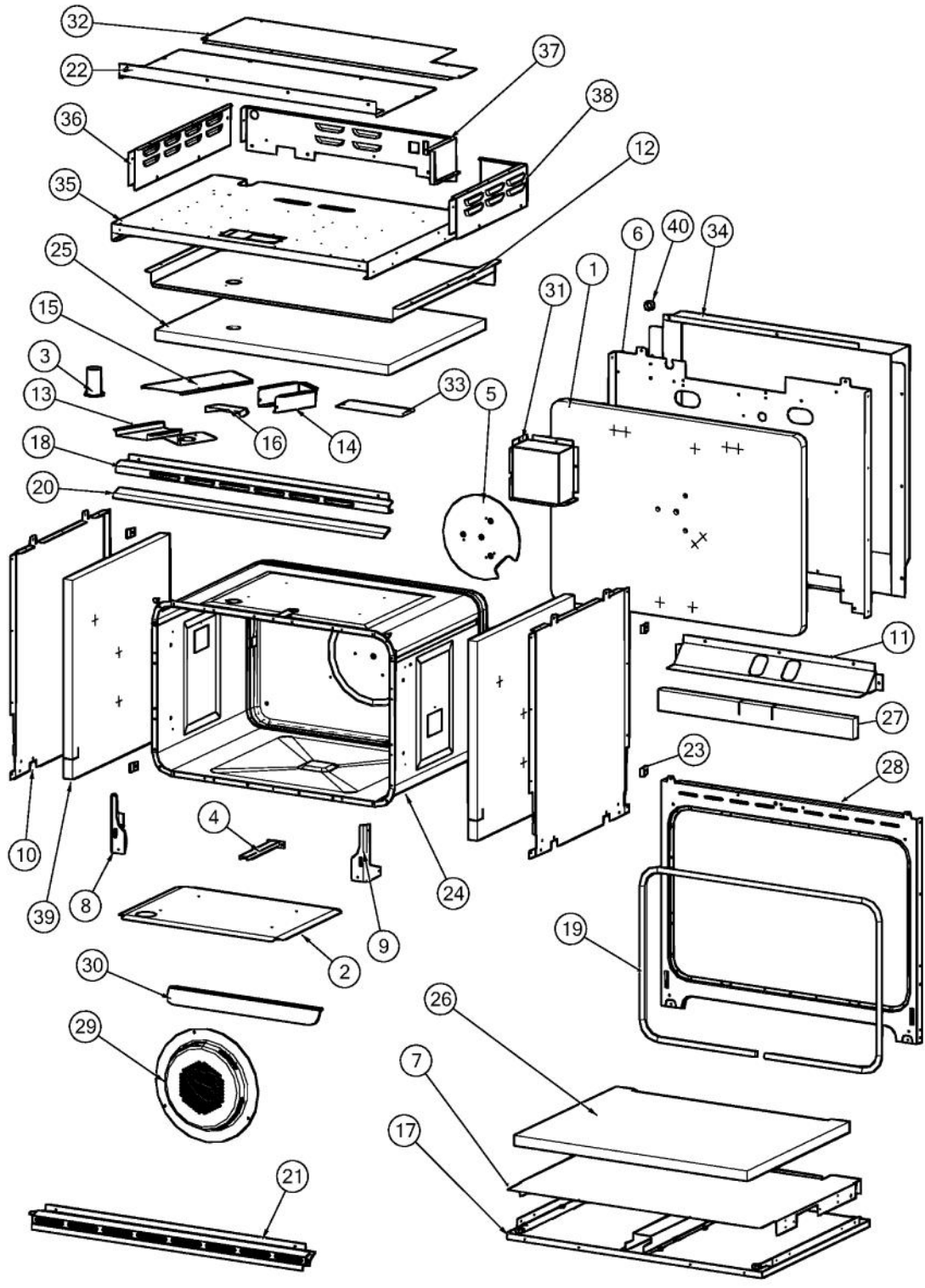
# VIKING RVSOE330 Owner's Manual

[Shop genuine replacement parts for VIKING RVSOE330](#)

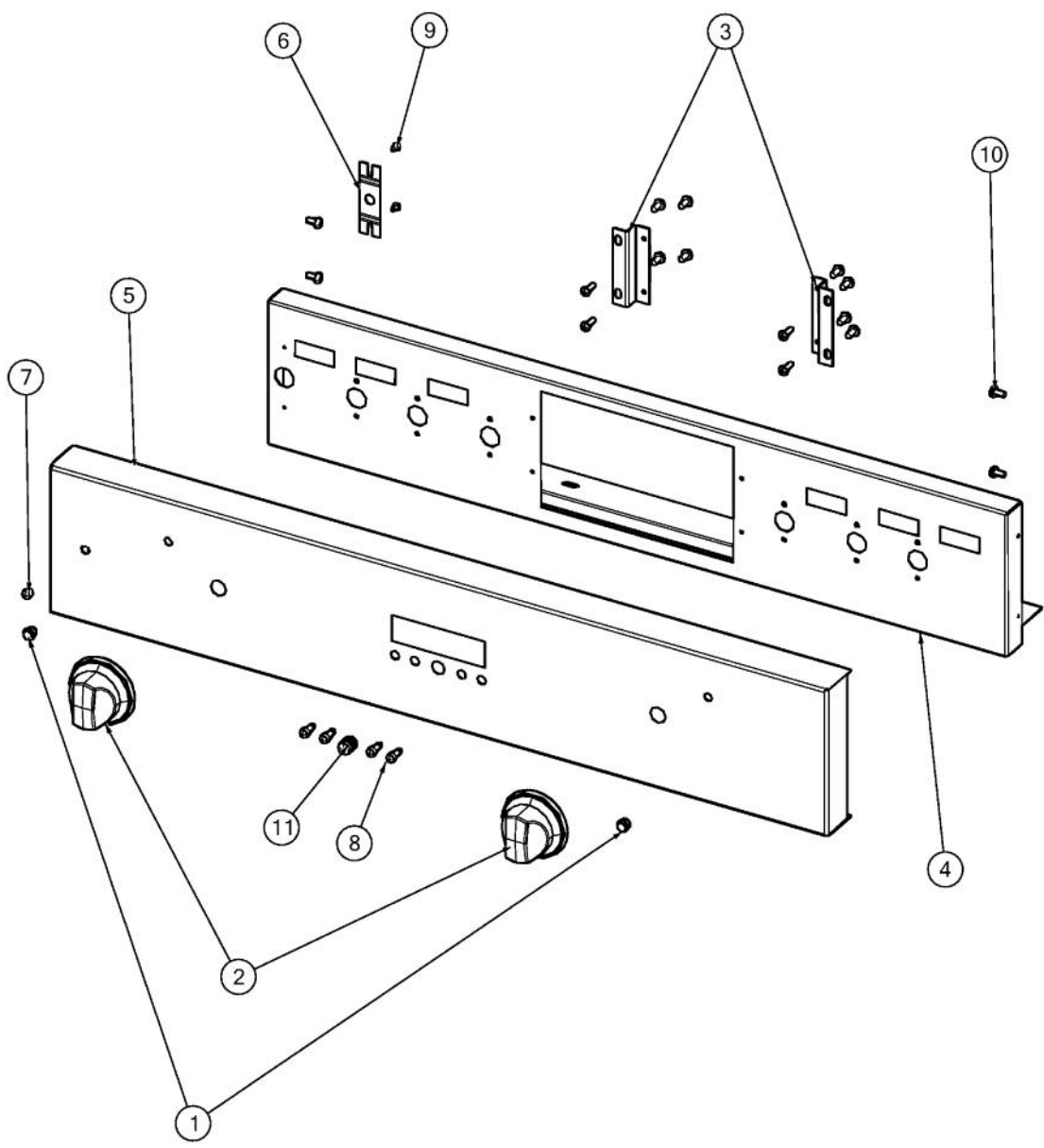


[Find Your VIKING Oven Parts - Select From 98 Models](#)

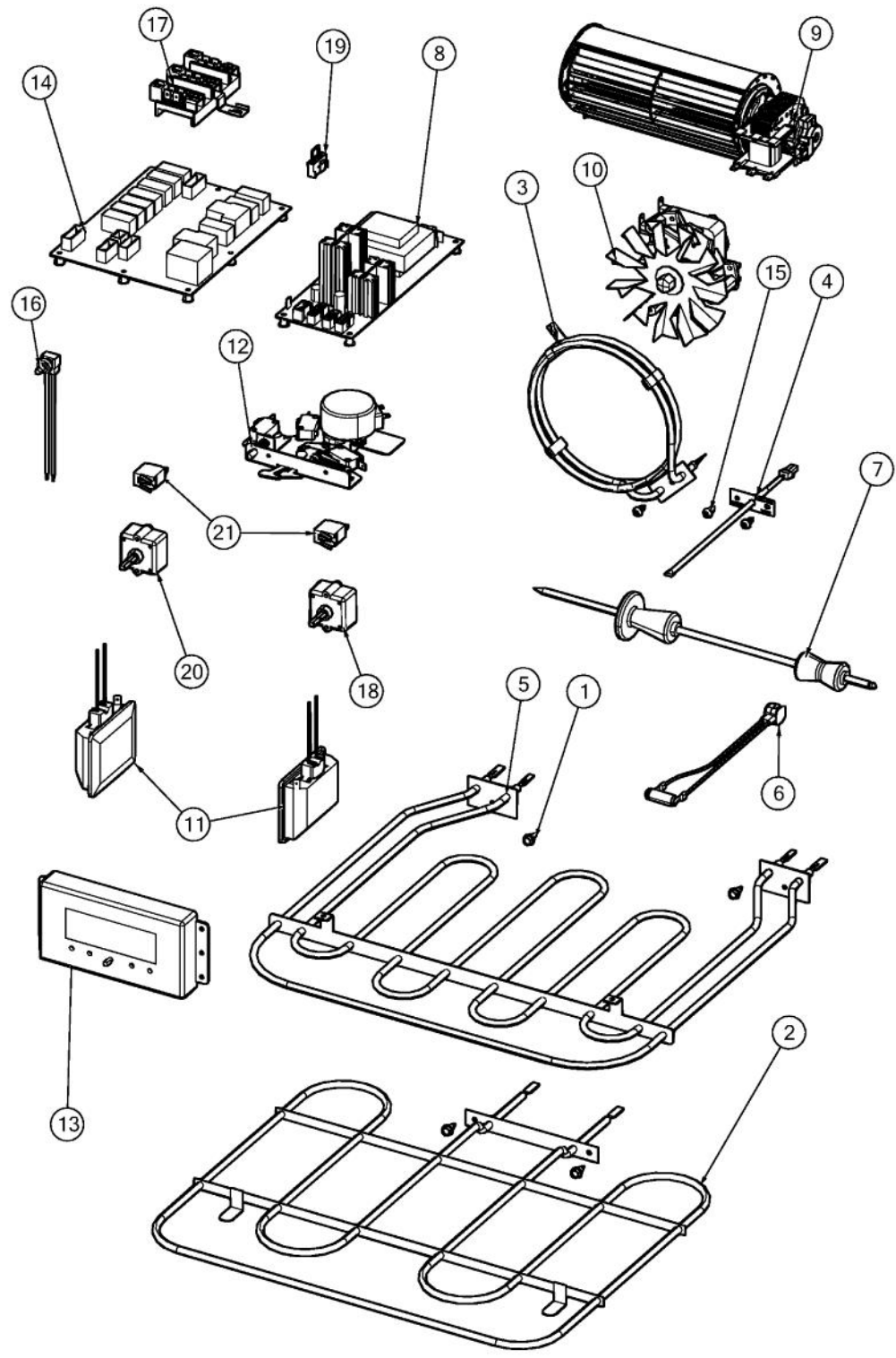
----- Manual continues below -----



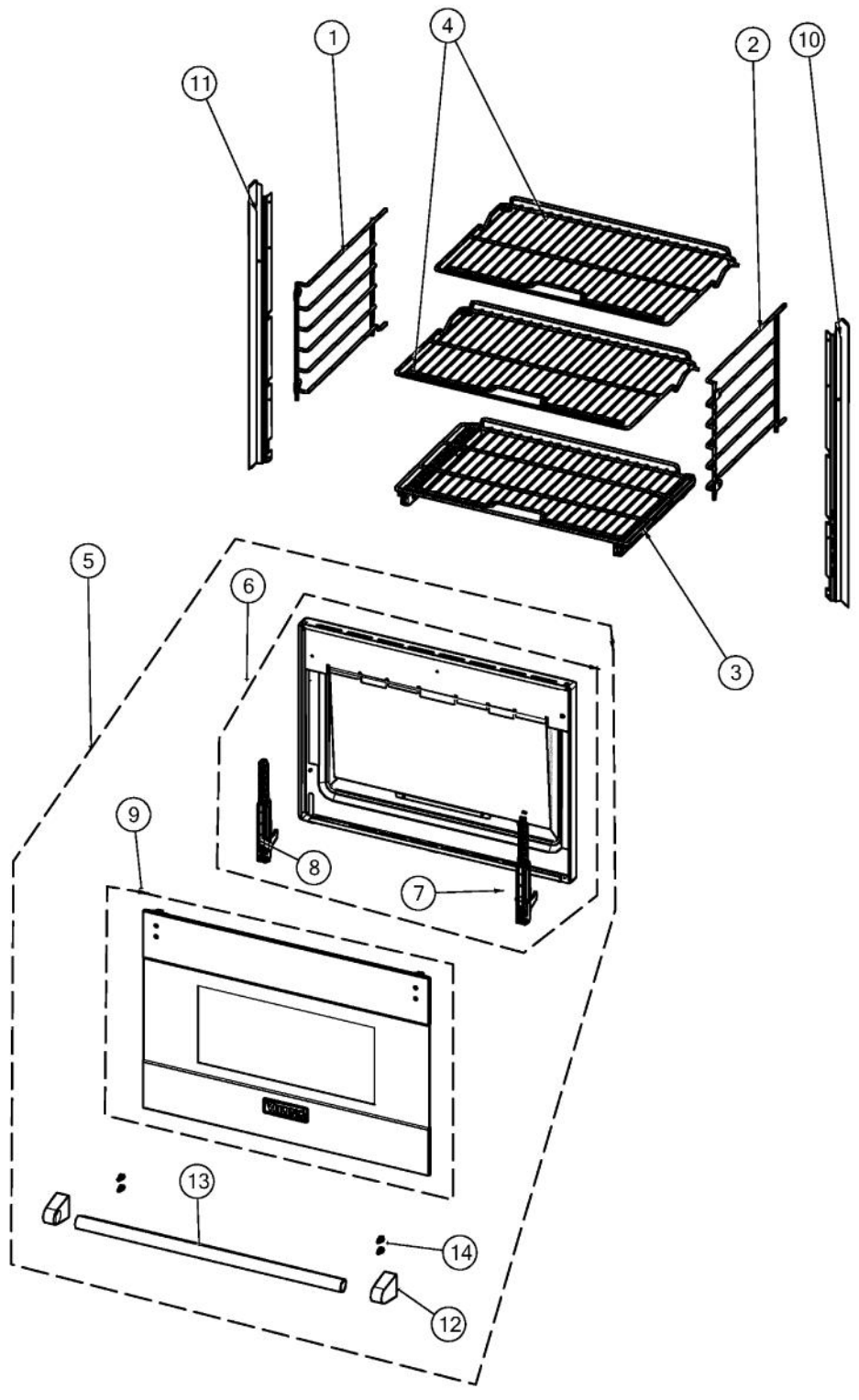
Ref #	Part Number	Qty.	Description
1	008860-000	1	INSULATION BACK
2	008867-000	1	BROIL REFLECTOR
3	008868-000	1	SMOKE ELIMINATOR
4	008872-000	1	RTD COVER
5	008873-000	1	CONV. MOTOR COVER
6	008888-000	1	BACK INS RETAINER
7	008889-000	1	RETAINER, BOT, INSULATION
8	008894-000	1	RECEIVER, HINGE LEFT
9	008895-000	1	RECEIVER, HINGE RIGHT
10	008896-000	2	COVER, INSL, SIDE
11	008898-000	1	FAN DEFLECTOR
12	008901-000	1	RETAINER INSL, TOP
13	008902-000	1	SMOKE ELIM VENT BOTTOM
14	008912-000	1	SMOKE ELIMIN BACK
15	008913-000	1	SMOKE ELIM VENT, TOP
16	008914-000	1	TRIM, VENT, SEAL
17	008930-000	1	BOTTOM BASE ASM
18	008931-000	1	MID/UPPER VENT EXTRUSION
19	009007-000	1	DOOR GASKET
20	009011-000	1	LOUVER EXTRUSION
21	009015-000	1	LOWER VENT ASM
22	012541-000	1	PANEL, ACS, FR
23	013070-000	4	SIDE SPACER
24	N/P	1	CABINET
25	013502-000	1	INSULATION, TOP, DESIGNER
26	013503-000	1	INSULATION, BOTTOM, DESIGNER
27	013504-000	1	BAKE INSULATION
28	013505-000	1	FRONT FRAME W/PORC
29	013580-000	1	CONV COVER W/PORC
30	013753-000	1	DEFLECTOR, BRL, ASM, DESIGNER
31	015774-000	1	COVER PLATE
32	015776-000	1	PANEL, ACS, TOP, REAR
33	020545-000	1	COVER, ACCESS
34	020956-000	1	COVER, BACK, SINGLE
35	021033-000	1	PANEL, MTG, TOP,CAP, ELECTRONICS
36	021050-000	1	PANEL, RH, SIDE
37	021051-000	1	PANEL, BACK
38	021054-000	1	PANEL, LEFT
39	023097-000	2	INSULATION, SIDE, DESIGNER
40	PD040005	1	SNAP BUSHING - 7/8



Ref #	Part Number	Qty.	Description
1	027968-000	2	INDICATOR, LIGHT, BLUE
2	042167-000	2	KNOB, WALL OVEN, BLADE, D3PO, ASSY
3	042430-000	2	BRACKET, CLCK, VIKING
4	042432-000	1	PANEL, CTRL, OVEN, VIKINK, MT
5	042434-000	1	PANEL, CTRL, OVEN, SNGL, OTR, SST, VIKING
6	A10014045	1	LIGHT SWITCH BRACKET
7	PA010093	1	DESIGNER OVEN LT SWITCH KNOB
8	PB010315	4	DES. CLOCK BUTTON
9	PD020261	6	NO.8-32X1/2 PH PANHEAD MACH. SCREW
10	PD020004	12	10X3/8PH.HD.TYPE 25 REPL PD040125
11	PB010222	1	DESIGNER BIT GENERATOR KNOB



Ref #	Part Number	Qty.	Description
1	003860-000	2	NO.10-18 X .500 FASTNR,SCR,HXWH,STL,ZPLT
2	008854-000	1	BAKE ELEMENT
3	008862-000	1	CONV ELEMENT
4	008870-000	1	RTD
5	008871-000	1	BROIL ELEMENT
6	008880-000	1	MEAT PROBE RECEPTACLE ASM
7	013803-000	1	PROBE, MEAT, DESIGNER
8	015201-000	1	LINEAR POWER SUPPLY
9	018607-000	1	FAN,BLO, 220-240V 50/60HZ ASSY
10	019668-000	1	FAN, CONV, ASM
11	020403-000	2	BJB SLIMLINE 40W BULB
12	035630-000	1	LATCH, ELEC, DOOR ASM
13	042804-000	1	TIMER, CLCK, VIKING, BLUE
14	038419-000	1	CONTROL,BD,EOC4, CB
15	PD020055	3	NO.10 X 1/2 PAN PHIL. TEK. SS
16	PE050076	1	DESIGNER OVEN LIGHT SWITCH
17	PE070147	1	TERMINAL BLOCK
18	PJ030035	2	THERMOSTAT
19	PE070795	1	10 POSITION 27 L.O.
20	PJ030033	1	SELECTOR (10 POS)
21	043135-000	2	HOUSING, LIGHT, LED, BLUE 3.3V
NI	036541-000	1	HARN, W, UPR, RDDOE306
NI	016290-000	1	HARNESS, LATCH
NI	017047-000	1	TOD2 RIBBON CABLE
NI	001420-000	1	48 CONDUIT ASSY





Ref #	Part Number	Qty.	Description
1	036548-402	1	RACK SUPPORT LT
2	036573-402	1	RACK SUPPORT RT
3	029894-000	1	D3 GLIDE RACK, WALL OVEN 30
4	027919-000	2	OVEN RACK D3
5	042705-000	1	DOOR, OVEN, OUTER, RVSOE/RVDOE, SS, VIKING, ASSY
5	042706-002	1	DOOR, OVEN, OUTER, RVSOE/RVDOE, BK, VIKING, ASSY
5	042706-006	1	DOOR, OVEN, OUTER, RVSOE/RVDOE, WH, VIKING, ASSY
6	030621-402	1	LINER, DOOR, ASM?
7	008955-000	1	HINGE RH
8	008958-000	1	HINGE LH
9	042693-000	1	DOOR, OVEN, OUTER, RVSOE/RVDOE, SS, VIKING, ASSY
9	042694-002	1	DOOR, OVEN, OUTER, RVSOE/RVDOE, BK, VIKING, ASSY
9	042694-006	1	DOOR, OVEN, OUTER, RVSOE/RVDOE, WH, VIKING, ASSY
10	012535-000	1	SINGLE RH SIDE TRIM EXTRUSION
11	012536-000	1	SINGLE LH SIDE TRIM EXTRUSION
12	026965-000	2	END CAP, ASM, DOOR HANDLE
13	035590-000	1	HANDLE, TUBE
14	014221-000	4	1/4-20 X .625 HEX 316 SS