

This Owner's Manual is provided and hosted by [Appliance Factory Parts](http://www.appliancefactoryparts.com).

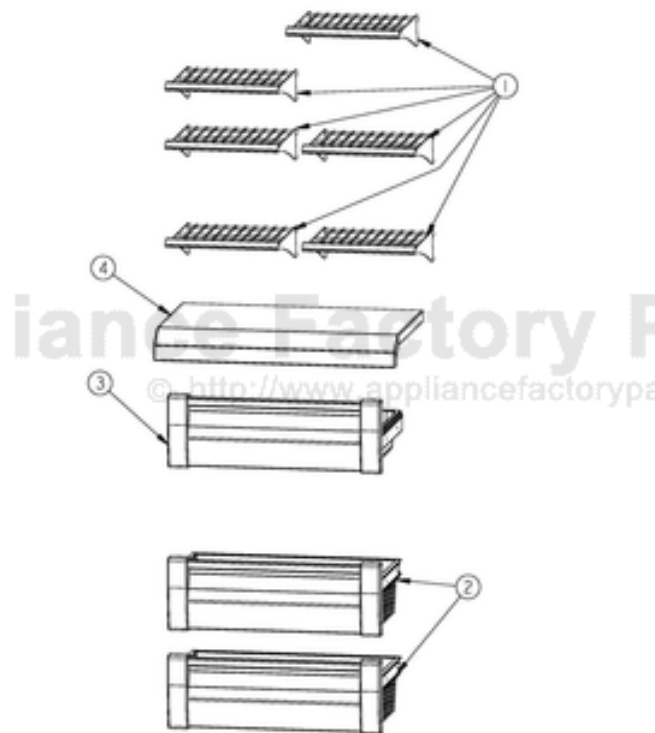


# VIKING

## DFFB304\_JMAG\_-R\_SERIES

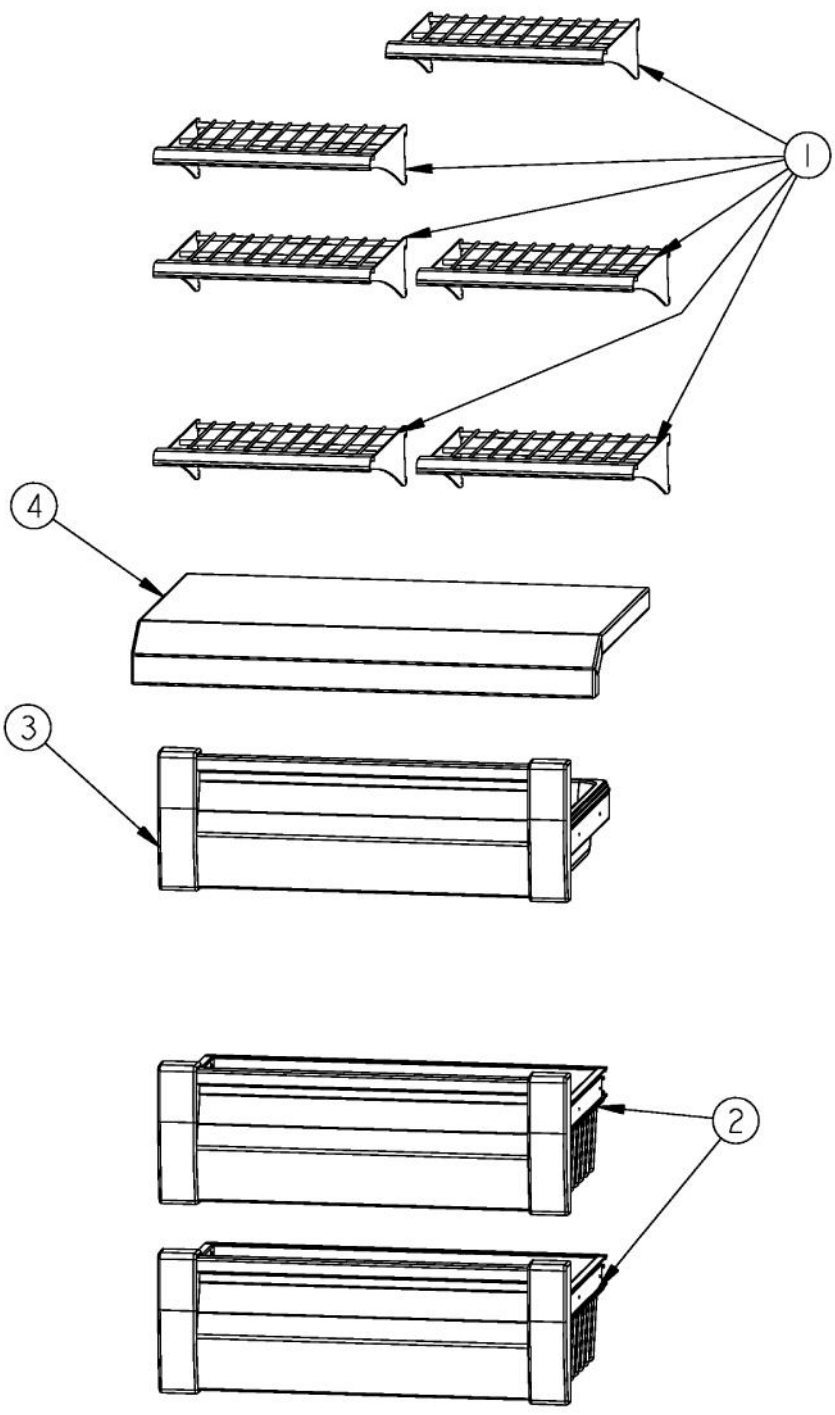
### Owner's Manual

[Shop genuine replacement parts for VIKING](#)  
[DFFB304 JMAG - R SERIES](#)



[Find Your VIKING Refrigerator Parts - Select From 341 Models](#)

----- Manual continues below -----



Ref #	Part Number	Qty.	Description
1	PM910405		SHELF WIRE AF 30
2	G50911315		DRAWER BASKET ASM AF 30 FOR BREAKDOWN SEE PAGE 002
3	G50911316		DRAWER ICE ASM AF 30 FOR BREAKDOWN SEE PAGE 003
4	G50911931		SHELF ICE ASM UPPER AF 30 FOR BREAKDOWN SEE PAGE 004