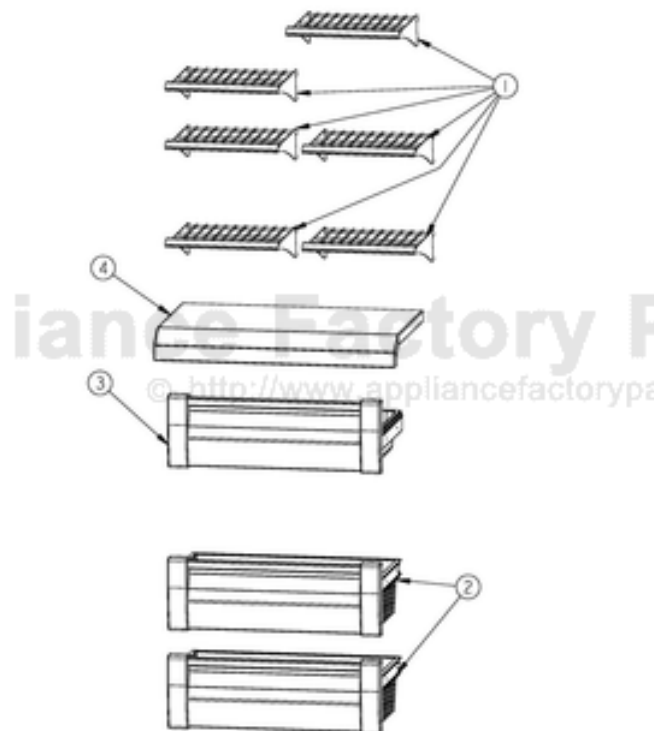


This Owner's Manual is provided and hosted by [Appliance Factory Parts](http://www.appliancefactoryparts.com).



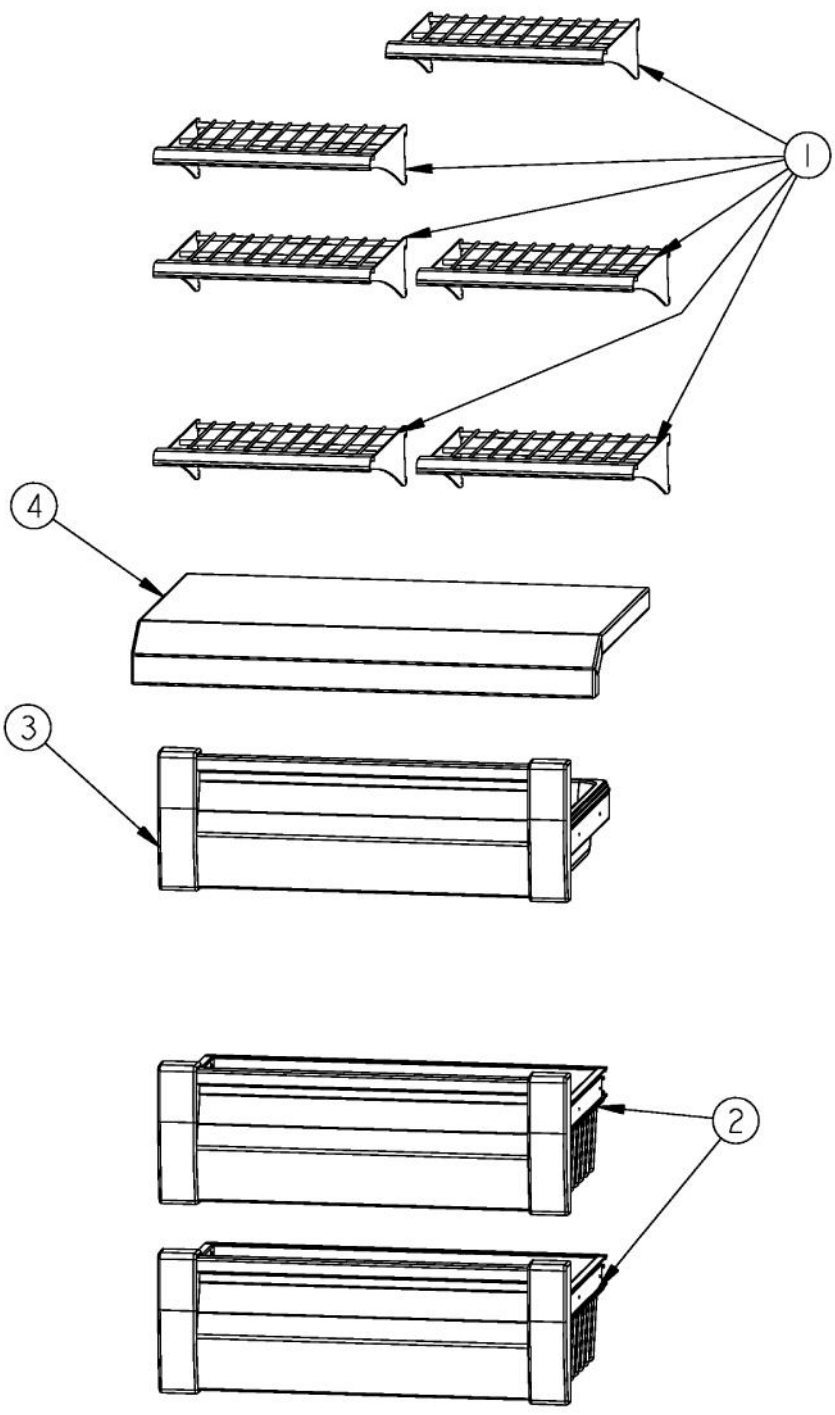
VIKING DFFB364_JMAG-R_ Owner's Manual

[Shop genuine replacement parts for VIKING
DFFB364_JMAG-R](#)

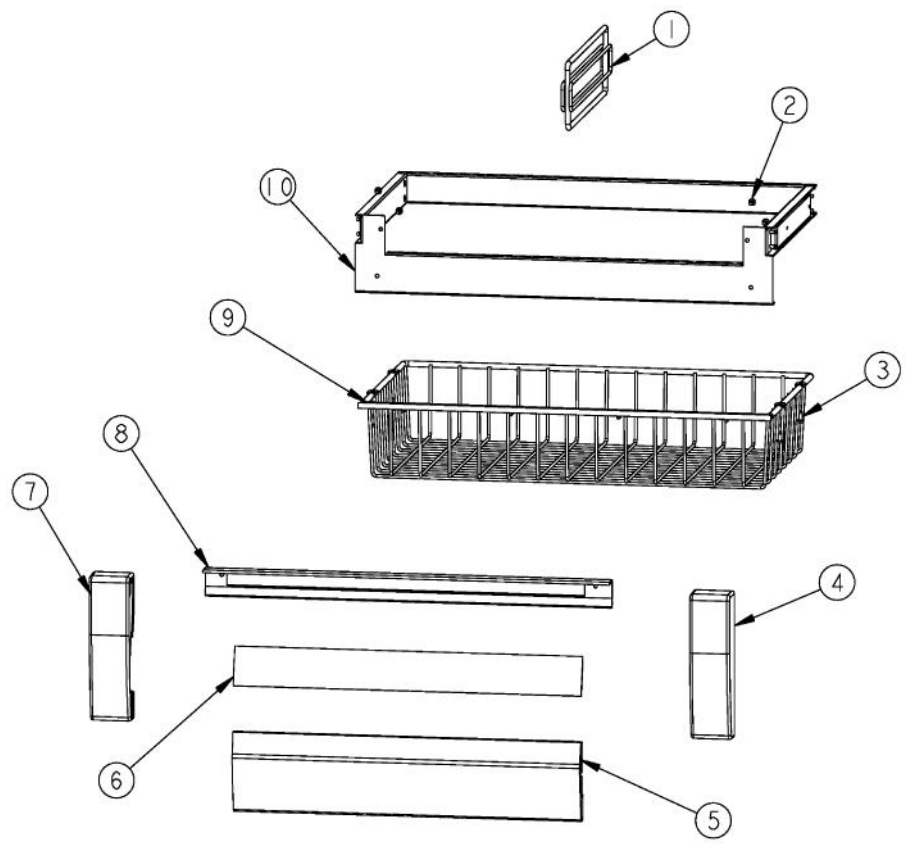


[Find Your VIKING Refrigerator Parts - Select From 341 Models](#)

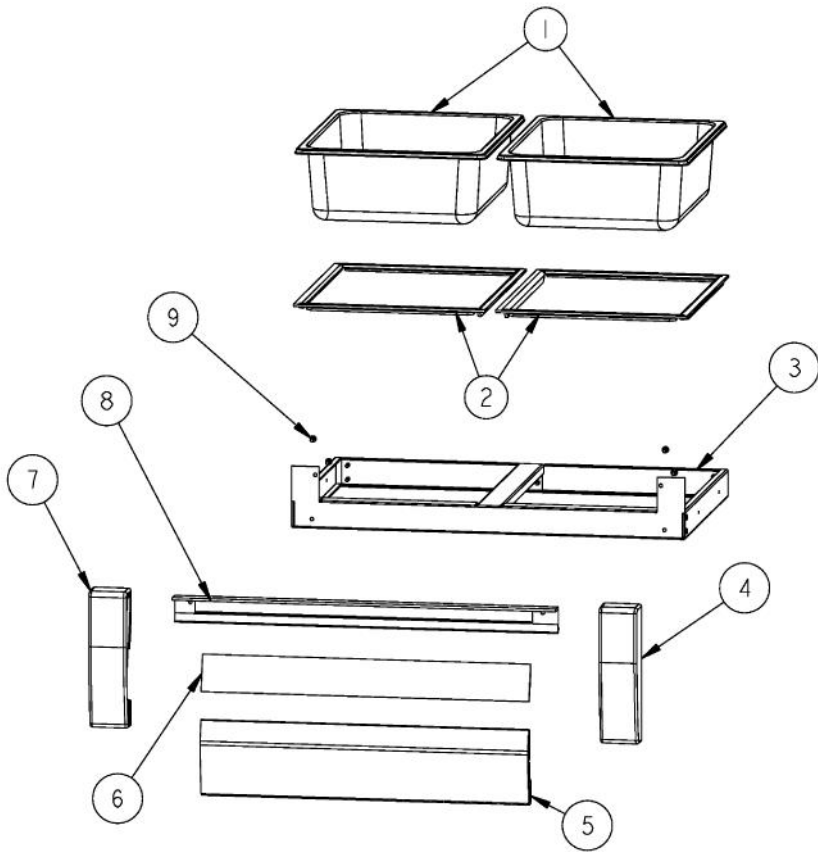
----- Manual continues below -----



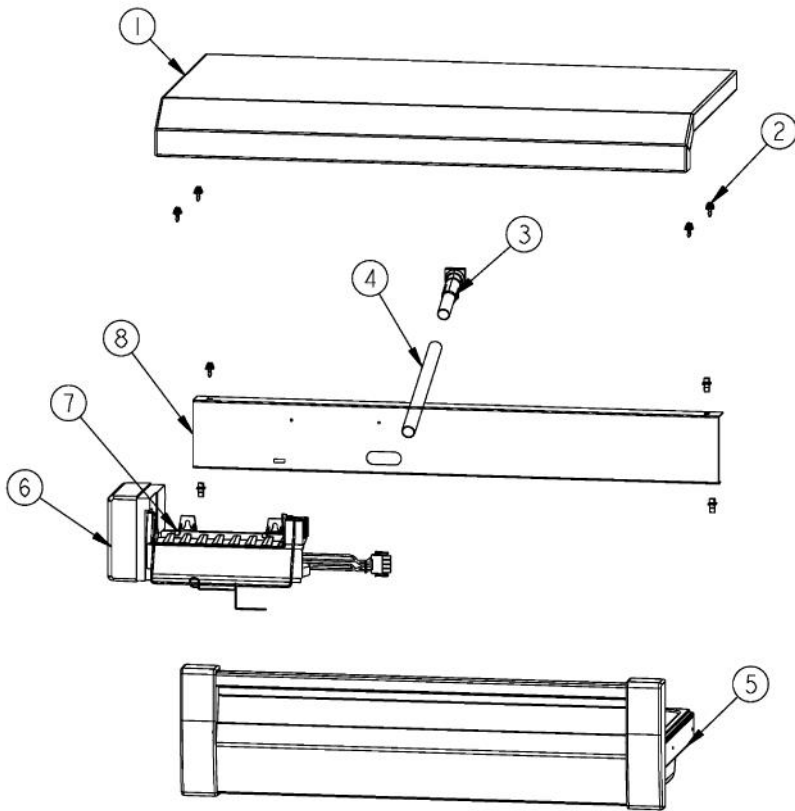
Ref #	Part Number	Qty.	Description
1	PM910411		SHELF WIRE AF 36
2	G50911195		DRAWER BASKET ASM AF 36 FOR BREAKDOWN SEE PAGE 002
3	G50911189		DRAWER ICE ASM AF 36 FOR BREAKDOWN SEE PAGE 003
4	G50911169		SHELF ICE ASM UPPER AF 36 FOR BREAKDOWN SEE PAGE 004



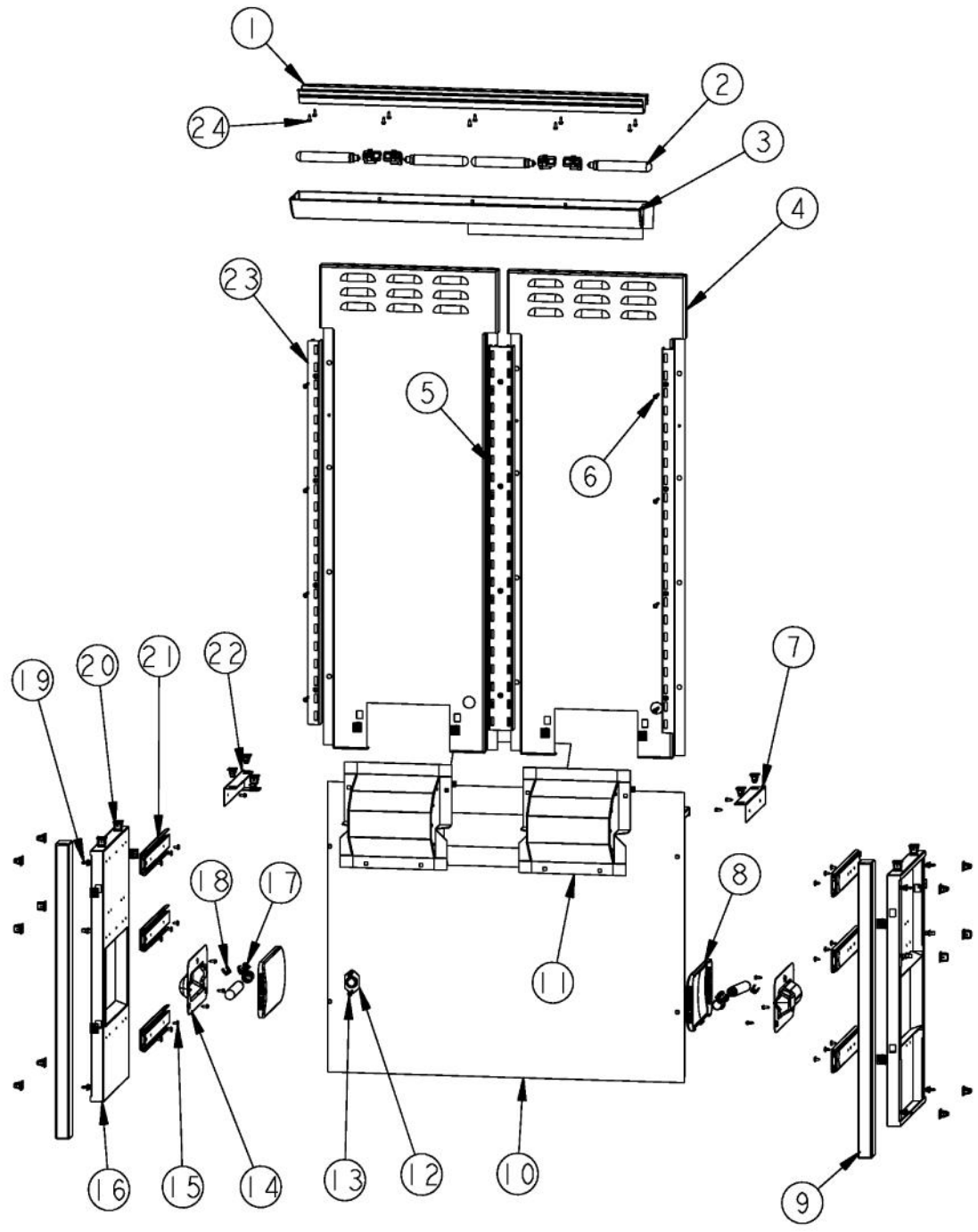
Ref #	Part Number	Qty.	Description
1	PM910439		DIVIDER BASKET WIRE AF 36
2	PD920161		SCR 8-16 PLASTITE PNP 3/8 S
3	PD020194		SCREW-SM
4	PK930316		ENDTRIM ICE DRAWER R
5	PK920065		EXTRUSION FRONT ICE DOOR WIDE AF 36
6	PE940240		GLASS ICE DRAWER WIDE AF 36
7	PK930317		ENDTRIM ICE DRAWER L
8	PK920064		EXTRUSION CAP ICE DOOR WIDE AF 36
9	PM910438		BASKET WIRE AF 36
10	G90911194WH		FRAME BASKET DRAWER ASM AF 36 XWHX
NI	G50911195		DRAWER BASKET ASM AF 36 (INCLUDES ITEMS 1 THROUGH 10)



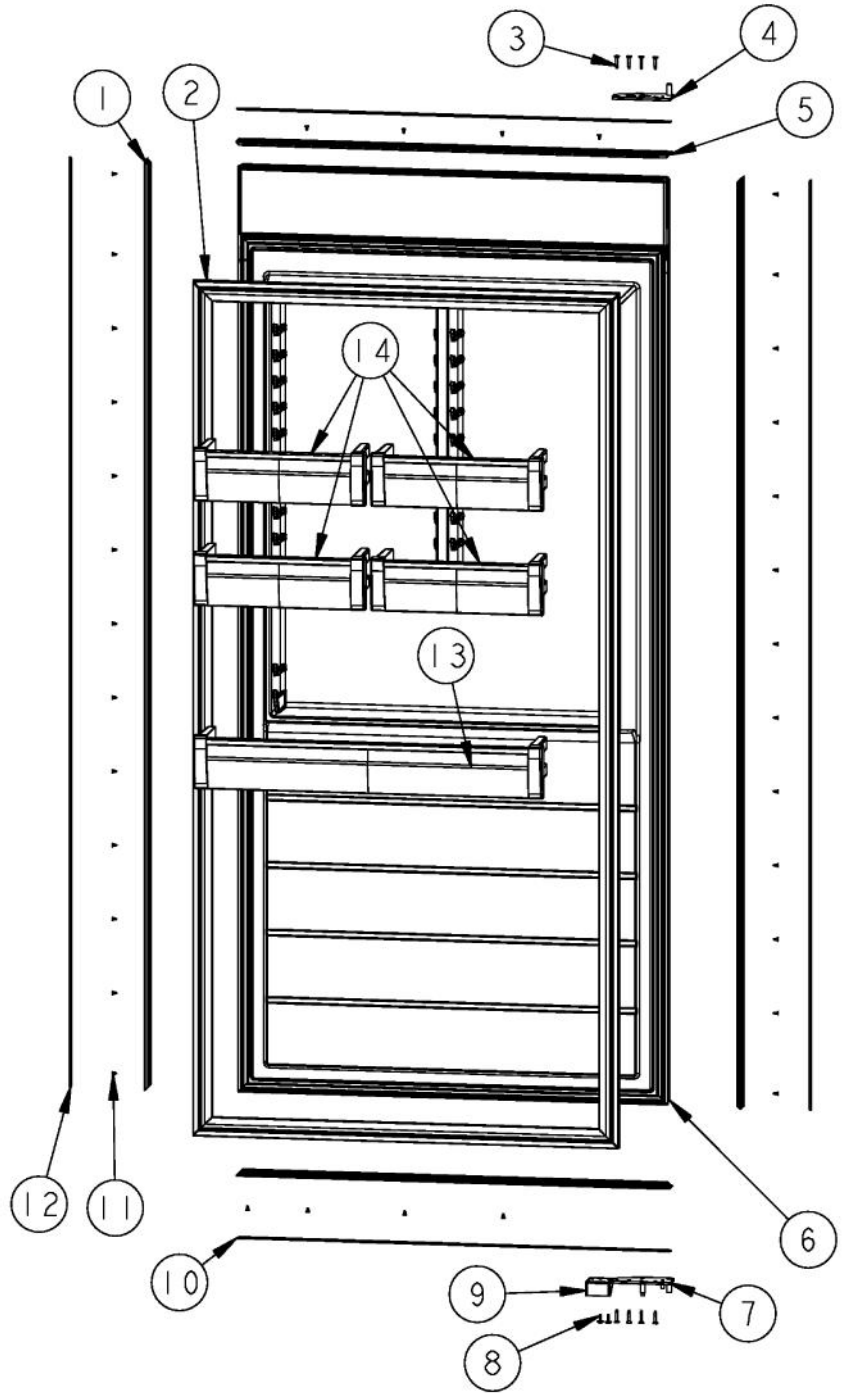
Ref #	Part Number	Qty.	Description
1	PM910461		PAN ICE AF 36 30
2	PB970211		GASKET FRAME AF 30 & 36
3	G90911188WH		FRAME ICE DRAWER ASM AF 36 XWHX
4	PK930316		ENDTRIM ICE DRAWER R
5	PK920065		EXTRUSION FRONT ICE DOOR WIDE AF 36
6	PE940240		GLASS ICE DRAWER WIDE AF 36
7	PK930317		ENDTRIM ICE DRAWER L
8	PK920064		EXTRUSION CAP ICE DOOR WIDE AF 36
9	PD920161		SCR 8-16 PLASTITE PNP 3/8 S
NI	G50911189		DRAWER ICE ASM AF 36



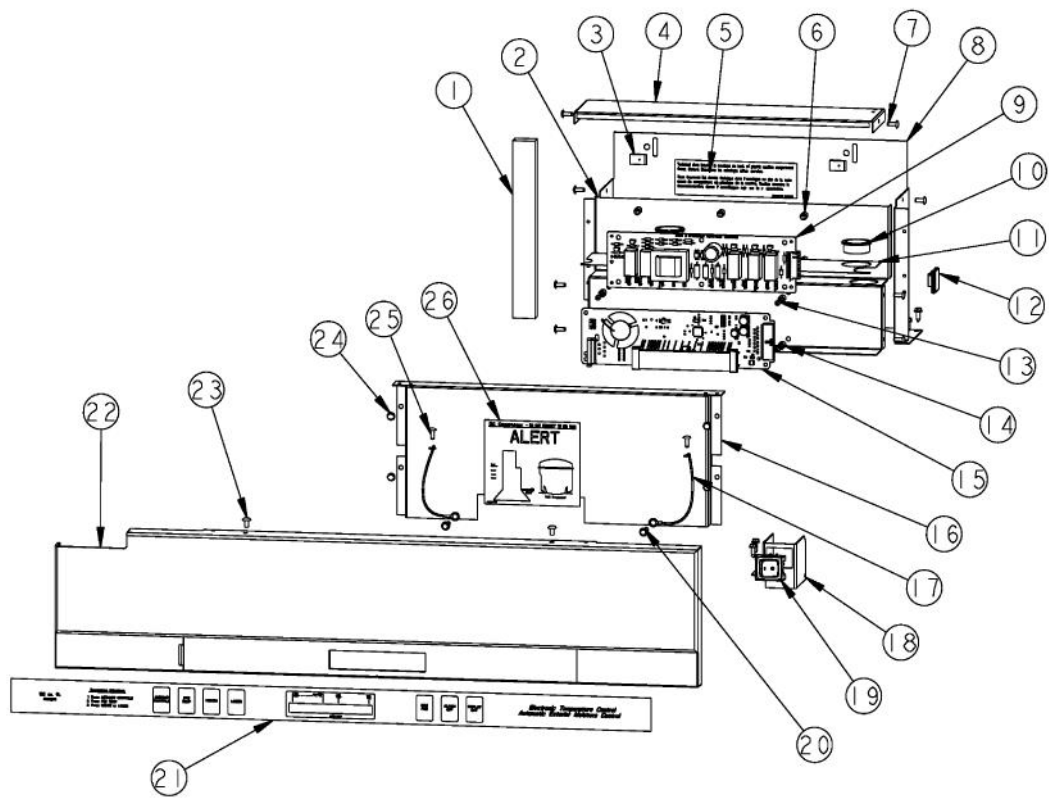
Ref #	Part Number	Qty.	Description
1	C90910760WH		ASM PAINT SHELF COVER AF 36
2	PD950012		STRIKE PANEL ACCESS
3	G5096419		FILL TUBE ASSY 10942511
4	A3127415		EXT-FILL TUBE
5	G50911189		DRAWER ICE ASM AF 36 FOR BREAKDOWN SEE PAGE 003
6	002252-000		ICE MAKER
7	PD020194		SCREW-SM
8	C90911164WH		PLATE IN MOUNT AF 36 XWHX
NI	G50911169		SHELF ICE ASM UPPER AF 36



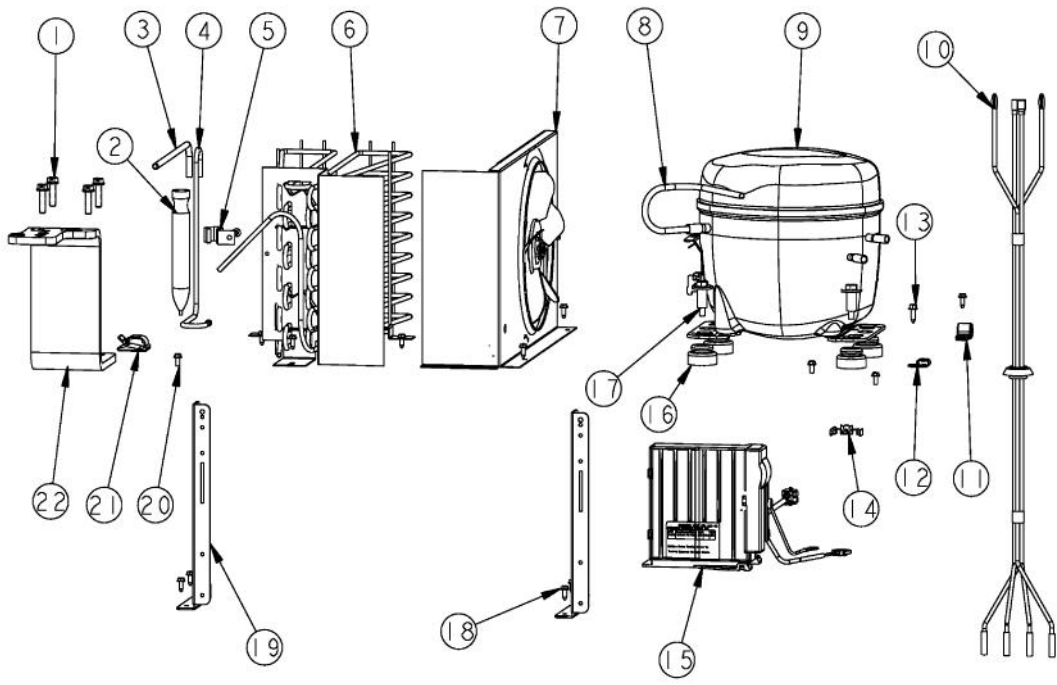
Ref #	Part Number	Qty.	Description
1	L20910705		BRACKET LIGHT AR 36
2	A3079001		LAMP - 40W
3	PK930267		COVER LIGHT ASM AF AR BM 36
4	L2098399		COVER EVAP UPPER AF 36
5	PM910285		LADDER CENTER
6	M0238535		SCREW-SM
7	K20911929		BRACKET ICE SHELF R
8	PK930346		COVER LIGHT
9	C90910784WH		COVER SIDE ASM XWHX
10	L2098370		COVER EVAP LOWER AF 36
11	G50911134		COVER ASM FAN EVAP AF 36
12	C8983701		THERMISTOR
13	M0211014		SCREW-SM
14	10270203		HOUSING-LIGHT V10270203
15	PD020032		SRW-8(A)X3/8PH.WFR HD 7/16DIAXNICL
16	G90911311		BRKT SIDE GLIDE MOUNT -WH
17	PE950125		LIGHT SOCKET
18	B5733302		CLIP-GROUND
19	PD950012		STRIKE PANEL ACCESS
20	PD950013		LATCH PANEL ACCESS
21	PC080031		SLIDE 12 FULL EXTENSION
22	K20911928		BRACKET ICE SHELF L
23	PM910282		LADDER SIDE
24	PD020194		SCREW-SM
NI	G50911183		COVER UPPER EVAP ASM AF 36 (INCLUDES ITEMS 4 AND 20)
NI	G50911182		COVER ASM LOWER EVAP AF 36 (INCLUDES ITEMS 10 AND 20)



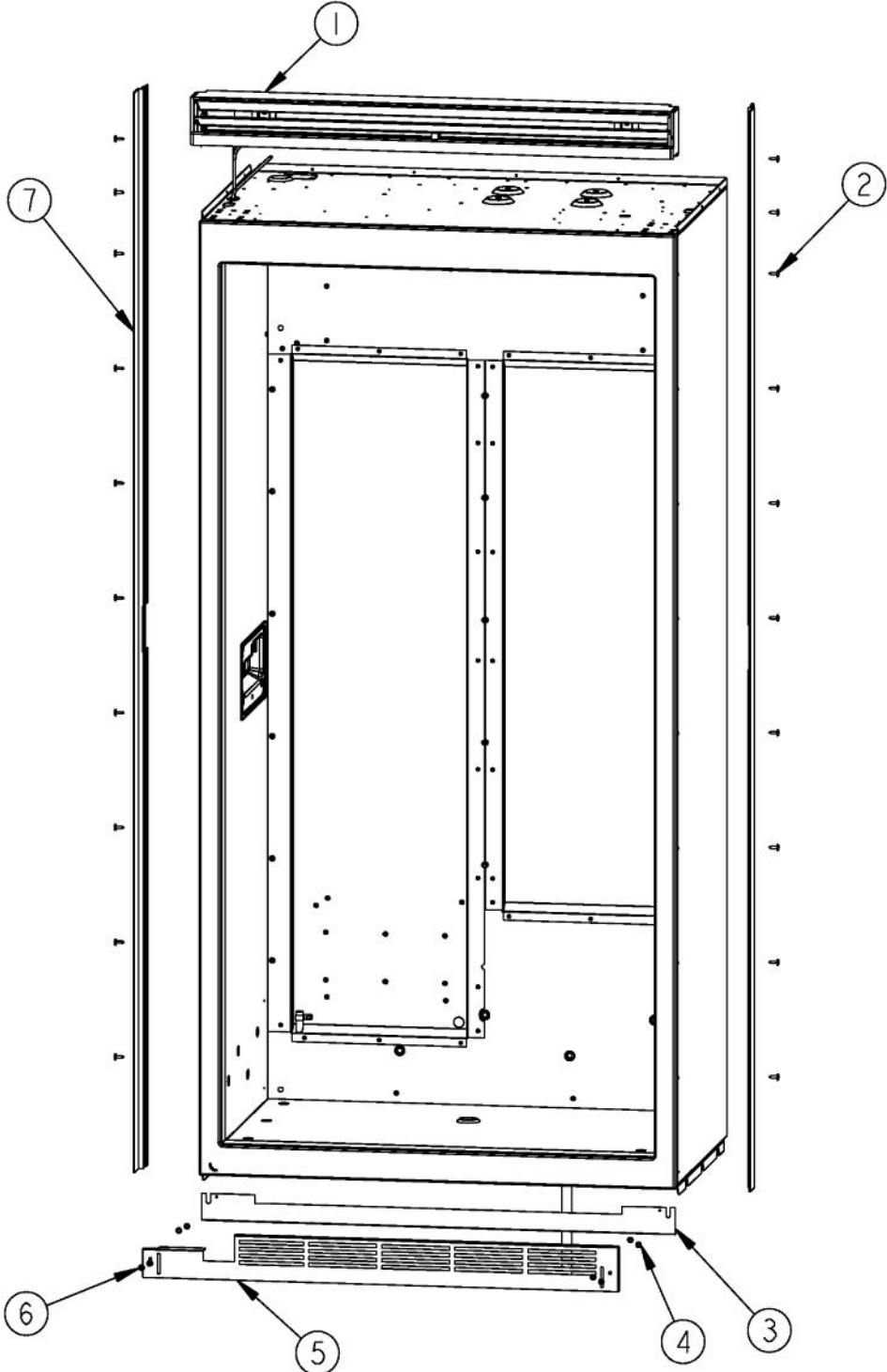
Ref #	Part Number	Qty.	Description
1	PM910102		SIDE TRIM
2	PB070334	1	DOOR GASKET (BEFORE 06-10-08)
2	005447-000	1	GASKET,ASM,36,AFAR (ON OR AFTER 06-10-08)
3	PD920174		10-32 TORX HEAD SCREW
4	PC020275		PIVOT PL ASM LH UP FOL UPPER PIVOT PLATE (RIGHT HINGE)
5	PM010609		TRIM DOOR 36 TOP BOT FOL
6	G32915044		DOOR ASM AF 36 (INCLUDES GASKET)
7	PC020273		PIVOT PL ASM LH LW FOL LOWER PIVOT PLATE (RIGHT HINGE)
8	M0210458		SCREW-SM
9	PD050019		STRIKER DOOR SWITCH
10	PM910094		INSERT 36 BM TOP/BTM
11	M0215704		SCREW-SM
12	PM910097		INSERT SXS FF/FZ SIDE 12063706
13	G5099905		DOORBIN ASM AF 36 FULL
14	G5099906		DOORBIN ASM AF 36 HALF



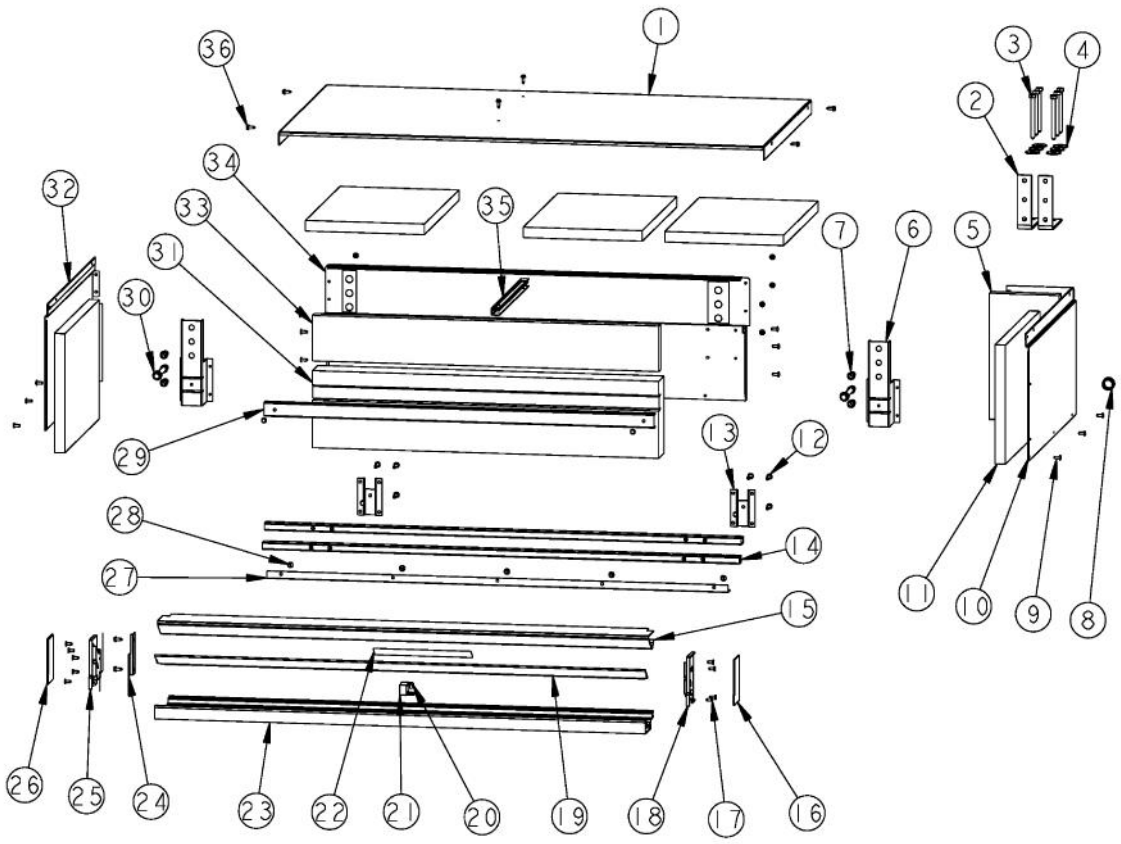
Ref #	Part Number	Qty.	Description
1	A3030361		GASKET, RED
2	K20910060		BRACKET - PC
3	M0288120		NUT-SPEED, VM0288120
4	K20915000		CONTROL BOX TOP
5	PF930487		TECH LITERATURE LABEL - 2
6	M0585504		SUPPORT
7	PC040010		POP RIVET
8	K2099402		CONTROL BOX
9	PE970463		POWER CONTROL BOARD
10	A4554817		BUSHING-SNAP VA4554817
11	PM910325		FILM PROTECTIVE
12	M0104106		CLIP-CORD VM0104106
13	PD020013		TYPE AB NO.6 X 3/8 PH PAN HD. SMS
14	M0585506		SUPPORT
15	PE070728		BOARD LOW VOLTAGE
16	K20910061		CONTROL BOX FRONT
17	12064001		SUPP-CONT PANEL
18	K2098654		BRACKET SWITCH POWER
19	PE950149		SWITCH POWER
20	M0238846		SCREW-SHLDR
21	PE950182		OVERLAY SWITCH AF 30
22	PE940213		COVER CONTROL PANEL BM 362 LH
	PE940212		COVER CONTROL PANEL AF AR 36 R
23	M0224128		SCREW-SM
24	PD020194		SCREW-SM
25	PC040010		POP RIVET
26	PF930672		LABEL DC COMPRESSOR



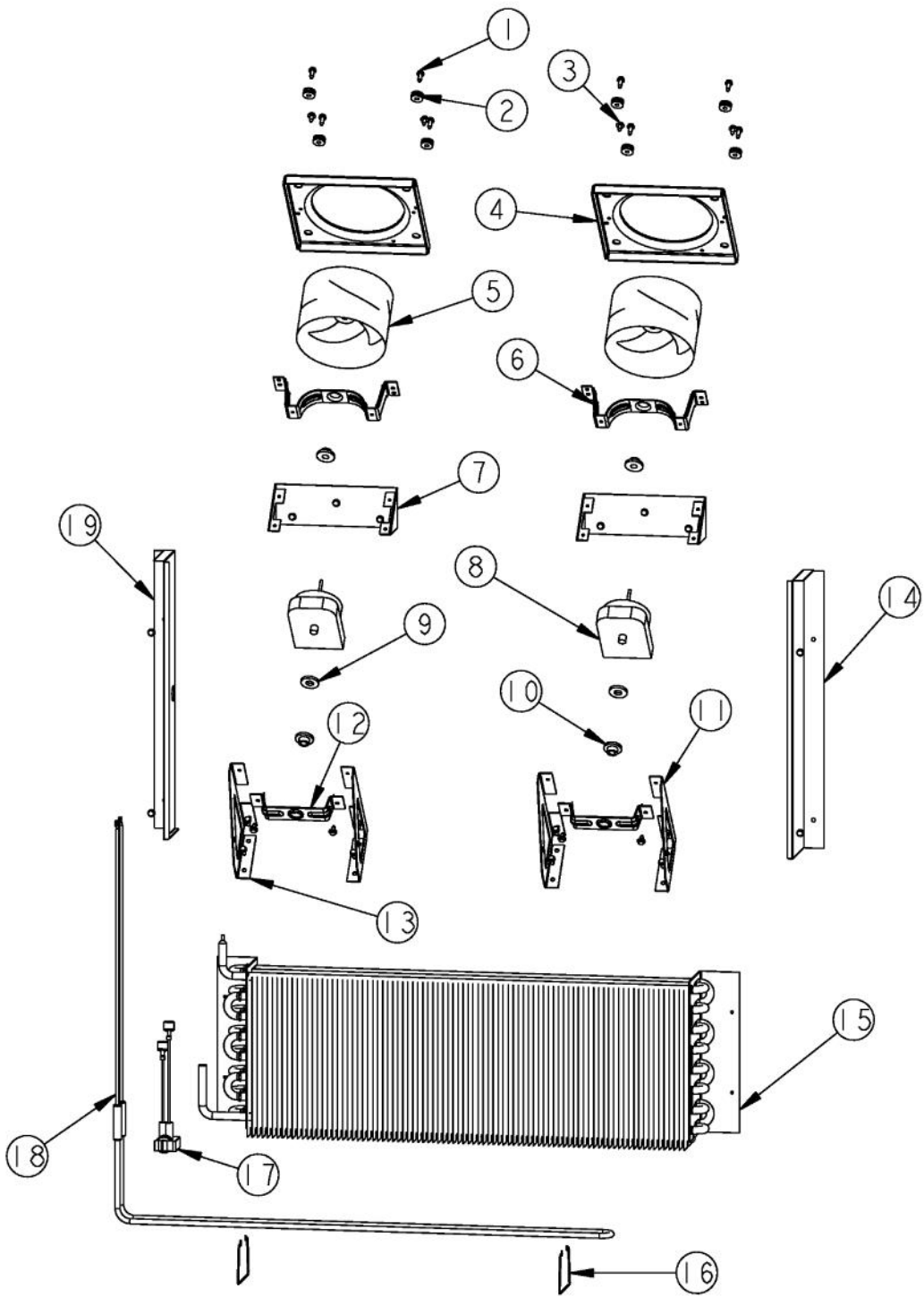
Ref #	Part Number	Qty.	Description
1	000570-000		HEX SCREW
2	10743201		DRIER, HI SIDE
3	F2097740		TUBE PROCESS
4	F2096669		TUBE-DRIER COND
5	10547001		CLIP-DRIER V10547001
6	PB920171		CONDENSER ASM
7	G5096494		COND. FAN ASSY
8	F2096507		TUBE-PROCESS GRN
9	G50911820		COMPRESSOR KIT (INCLUDES DRIER)
10	PE970642		HARNES FRAME HEATER AF
11	PD030118		SCREW - SHLDR
12	002573-000		CLAMP CORD
13	PD020195		SCR 8-18 X 5/8
14	M0327801		SPLICE TAP
15	PE070849		INVERTER
16	10835901		GROMMET RUBBER V10835901
17	M0221523		SCREW - SHLDR
18	PD020194		SCREW-SM
19	K20912569		BRACKET GRILLE SUPPORT
20	PD020010		10 X 3/8 GREEN GROUNDING SCREW
21	M0104102		CLIP-CORD RED
22	PC920204		HINGE ASM UL
	PC920203		HINGE ASM UR



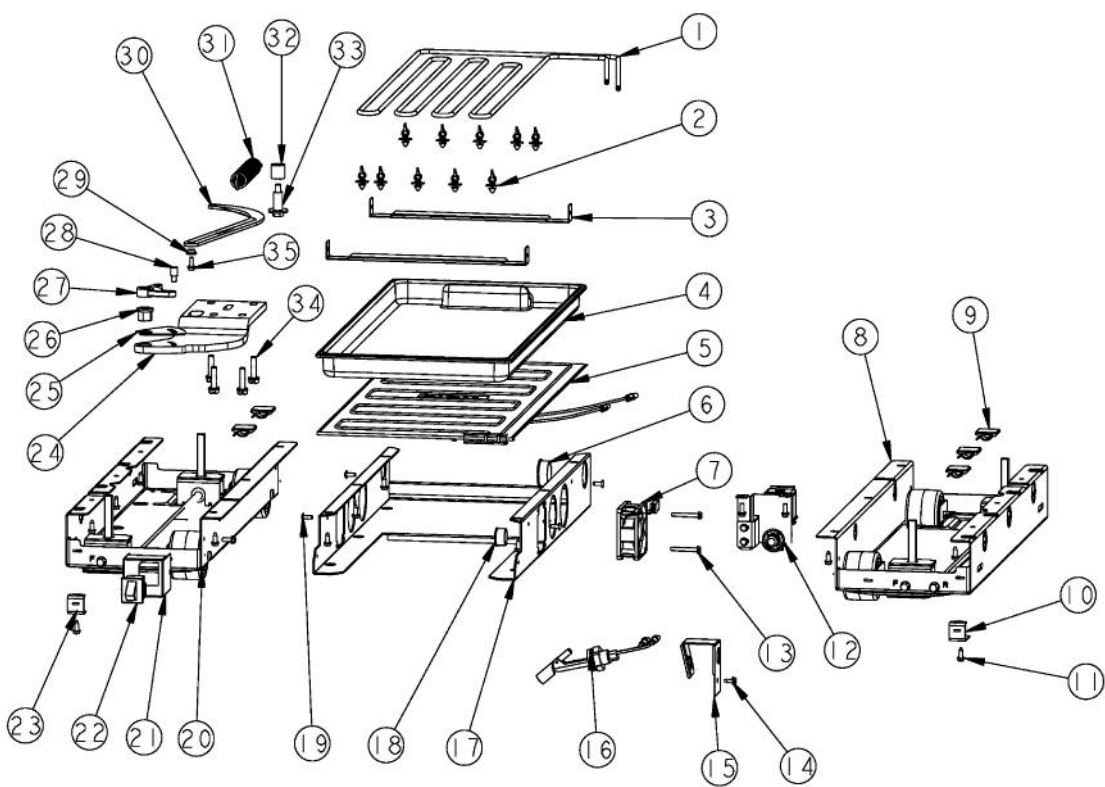
Ref #	Part Number	Qty.	Description
1	G32911177		GRILLE ASM 36 FOL L (FOR BREAKDOWN SEE PAGE 011)
	G32911178		GRILLE ASM 36 FOL R (FOR BREAKDOWN SEE PAGE 011)
2	M0210458		SCREW-SM
3	000147-002		KICKPLATE, LWR
4	40370P01		NYLON FLAT WASHER V40370P01
5	C9099206BK		GRILLE TOE VENTED 36 LH XBKX
	C90910759BK		GRILLE TOE VENTED 36 XBKX
6	M0210443		SCREW-E SM
7	PK920066		SIDE TRIM
NI	G32915028		COMPLETE TOE GRILLE ASSEMBLY - LEFT HINGE (CONTAINS ITEMS NO. 3 - NO. 6)
NI	G50915027		GRILLE TOE ASM AF AR 36 R (CONTAINS ITEMS NO. 3 - NO. 6)



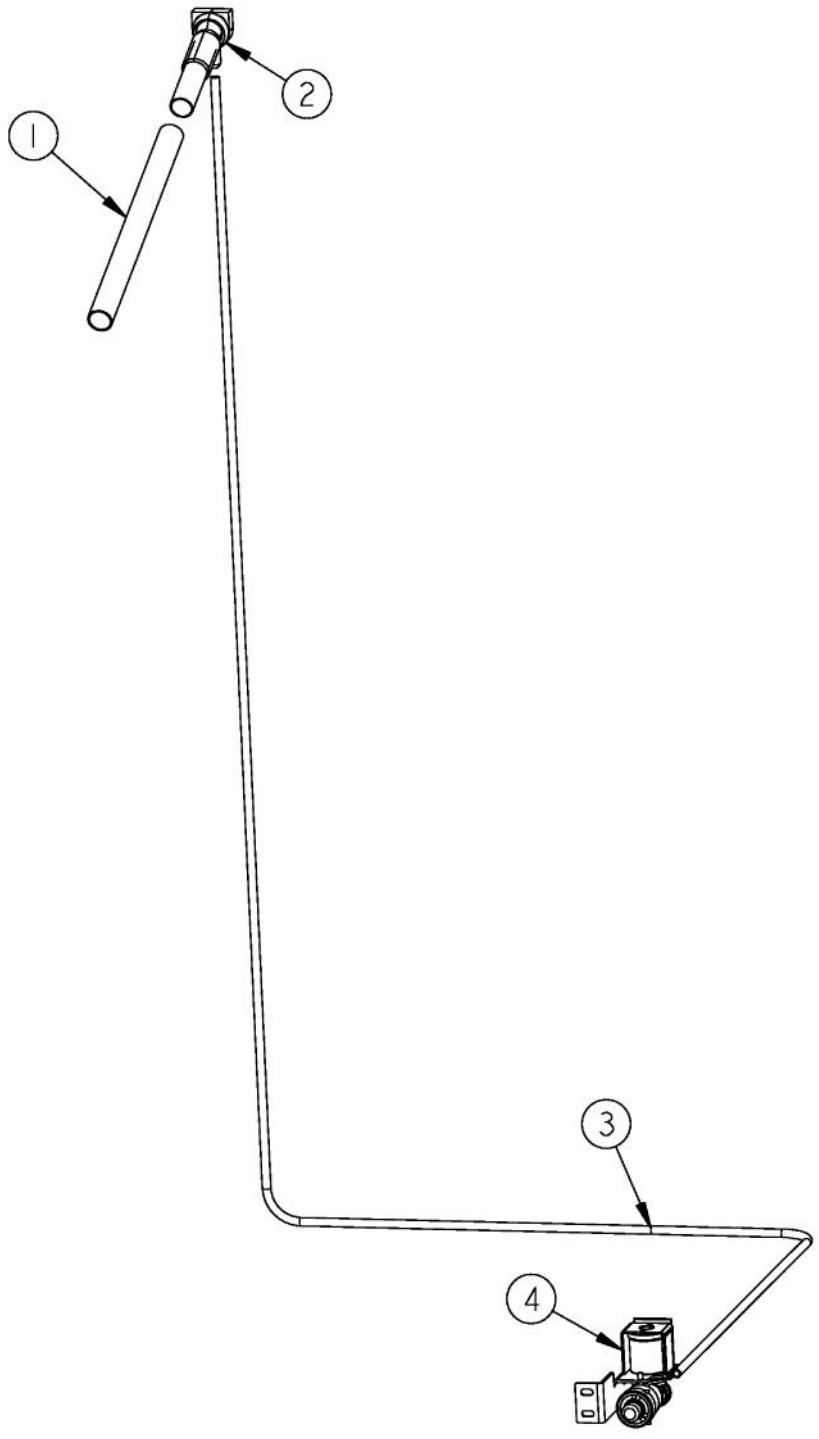
Ref #	Part Number	Qty.	Description
1	K2099931		MC TOP 36
2	PK910089		BRACKET, ANTI - TIP
3	M0223509		SCREW-LAG
4	M0270510		WASHER
5	PB970171		MC INSULATION - BACK SIDE
6	K20915675		BRACKET PSM
7	PD040157		BEARING SLEEVE
8	A4554806		BUSHING-SNAP VA4554806
9	PC040010		POP RIVET
10	K2099459		MC SIDE R
11	PB070355		INSULATION MC COVER
12	M0213147		SCREW-SM
13	PK050004		BRACKET GRILLE
14	PM910505		GRILLE SPACER 36 FOL
15	PM910418		GRILLE LOUVER UPPER AF AR 36 DES FOL
16	PM910072		COVER - END CAP 12119802
17	M0215318		SCREW-SM
18	PM910348		ENP CAP GRILLE R
19	PM910429		GRILLE LOUVER MID AF AR 36 DES FOL
20	M0230028		SCREW-TC
21	PM910084		SUPPORT GRILLE 12201201
22	PF930523		GRILL BLADE LABEL (REFRIGERATOR)
23	PM910419		GRILLE LOUVER LOWER AF AR 36 L DES FOL
	PM910421		GRILLE LOUVER LOWER AF AR 36 R DES FOL
24	K2099471		BRACKET GRILLE SUPPORT L
	K2099470		BRACKET GRILLE SUPPORT R
25	PM910349		END CAP GRILLE L
26	PM910071		COVER - END CAP 12119801
27	PM910511		GRILLE EXTENSION 36 FOL L
28	M0224128		SCREW-SM
29	K20915902		CROSSMEMBER PSM 36
30	PD020233		SCR LAG 5/16-9 GX 5/16X7/16 WAF IHXW 3 S ZN
31	PB070359		INSULATION MC COVER
32	K2099460		MC SIDE L
33	PB070358		INSULATION MC COVER
34	K2099933		MC BACK 36
35	K2099455		SUPPORT MC Z
36	PD020194		SCREW-SM



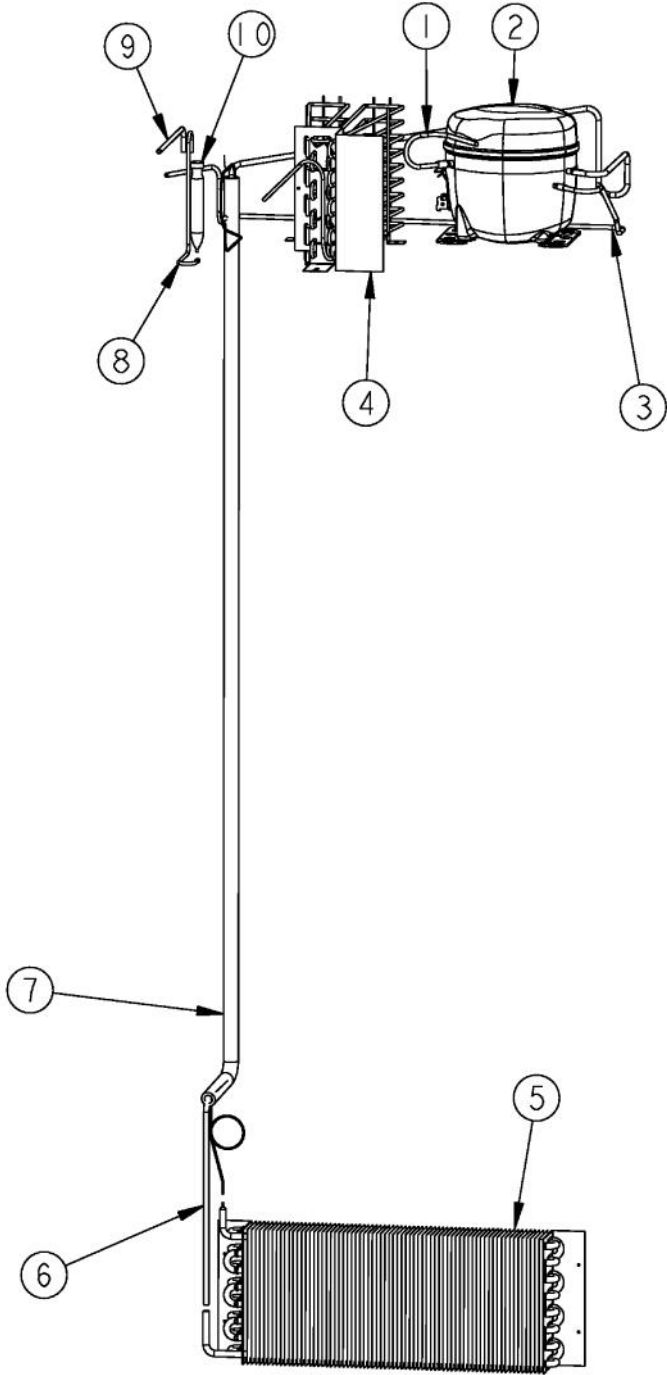
Ref #	Part Number	Qty.	Description
1	PD020194		SCREW-SM
2	12234001		GROMMET-VIBRATION
3	PD020193		SCR 8-18 X 3/8
4	PM910169		SHROUD EVAP FAN
5	10855402		FAN-EVAP/4.330
6	PM010605		BRACKET MTR/SHROUD
7	K20911130		BRACKET FAN MOUNT AF 36
8	PE950153		MOTOR EVAP FAN
9	PM910276		GROMMET FAN MOTOR
10	A1017202		GROMMET-FAN VA1017202
11	K2095457		EVAPORATOR FAN BRACKET - RH
12	L2198650		BRACKET FAN EVAP VEN
13	K2096458		BRKT-L-EVAP-FAN 12223102
14	L20911339WH		DIVERTER AIR RT 36 AF
15	PM910454		EVAPORATOR AF 36
16	PM910468		CLIP EVAP HTR 36 30 AF
17	PB910259		THERMOSTAT DEFROST TERMINATOR
18	PJ910037		DEFROST HEATER AF 36
19	L20911338WH		DIVERTER AIR LFT 36 AF
NI	G50912354		FAN ASSEMBLY AF 36 (INCLUDES ITEMS 1 THROUGH 13)



Ref #	Part Number	Qty.	Description
1	F20915696		SERPENTINE CONDENSER DRAIN
2	PD030146		STAND OFF LOCK CLIP
3	K20911831		BRACKET CONDENSATE SUPPORT
4	PK930348		PAN DRAIN
5	G50914125		TRAY PAN HEATER
6	A4554817		BUSHING-SNAP VA4554817
7	000731-000		AXIAL FAN
8	PM910398		LEVELER ASSEMBLY - R
9	M0104106		CLIP-CORD VM0104106
10	K2098044		BRKT GRILLE SUPPORT
11	PD020194		SCREW-SM
12	G32913789		BRKT & VALVE H2O SNGL ASM
13	PD020274		SCR SLTD HEX WSHR HD 8X1.250 BT
14	M0253916		SCREW-TF
15	B20915627		BRACKET HORIZ FLOAT SWITCH
16	PE050248		FLOAT SWITCH HORIZONTAL
17	K20915952		SHIELD BOTTOM DRAIN
18	A4554806		BUSHING-SNAP VA4554806
19	PC040010		POP RIVET
20	PM910399		LEVELER MODULE L
21	002668-000		SWITCH,GRILLE,MT,LH
	002667-000		SWITCH,GRILLE,MT,RH
22	PE950146		SWITCH SPDT BLACK
23	K2098096		BRKT GRILLE SUPPORT
24	PC020289		HINGE PLATE LL
	PC020288		HINGE PLATE LR
25	PC920144		PLATE - WC DOOR SHIM
26	PD940090		BUSHING - WC DOOR LEVEL
27	PD940091		BUSHING - DOOR STOP
28	PC920145		PIN - DOOR STOP
29	PD940094		BUSHING
30	PC920149		BAR-WC BOT HINGE LH
	PC920166		BAR-WC BOT HINGE RH
31	PC910015		SPRING EXTENSION
32	PD940107		ROUND SPRING SPACER
33	M0221523		SCREW - SHLDR
34	000570-000		HEX SCREW
35	M0220417		SCREW-TC
NI	PK930424	1	VALVE POP UP ASM



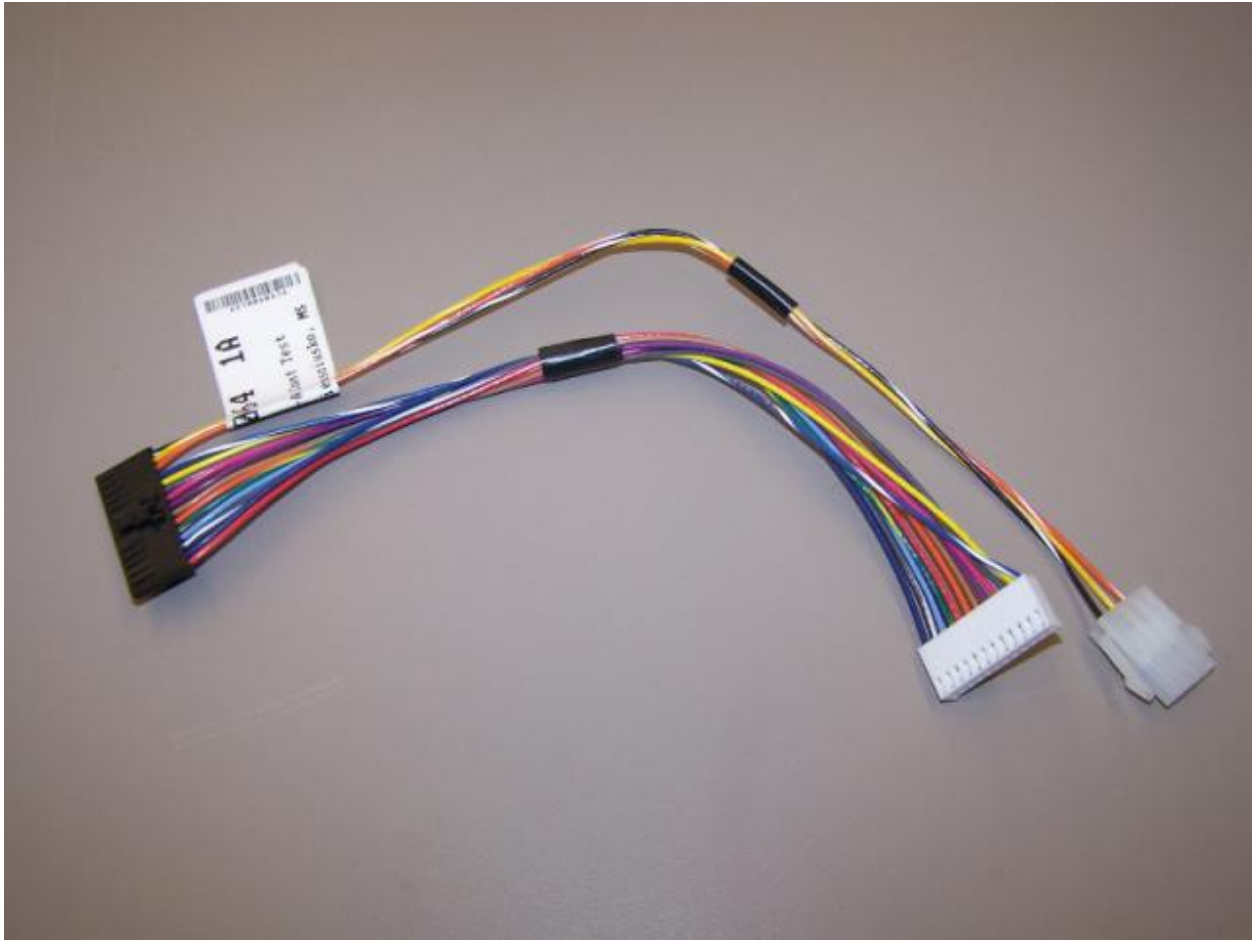
Ref #	Part Number	Qty.	Description
1	A3127415		EXT-FILL TUBE
2	G5096419		FILL TUBE ASSY 10942511
3	PB020304		PLASTIC TUBING-IM WATERLINE NON DISP (SXS & AF)
4	PA970012		SINGLE WATER VALVE



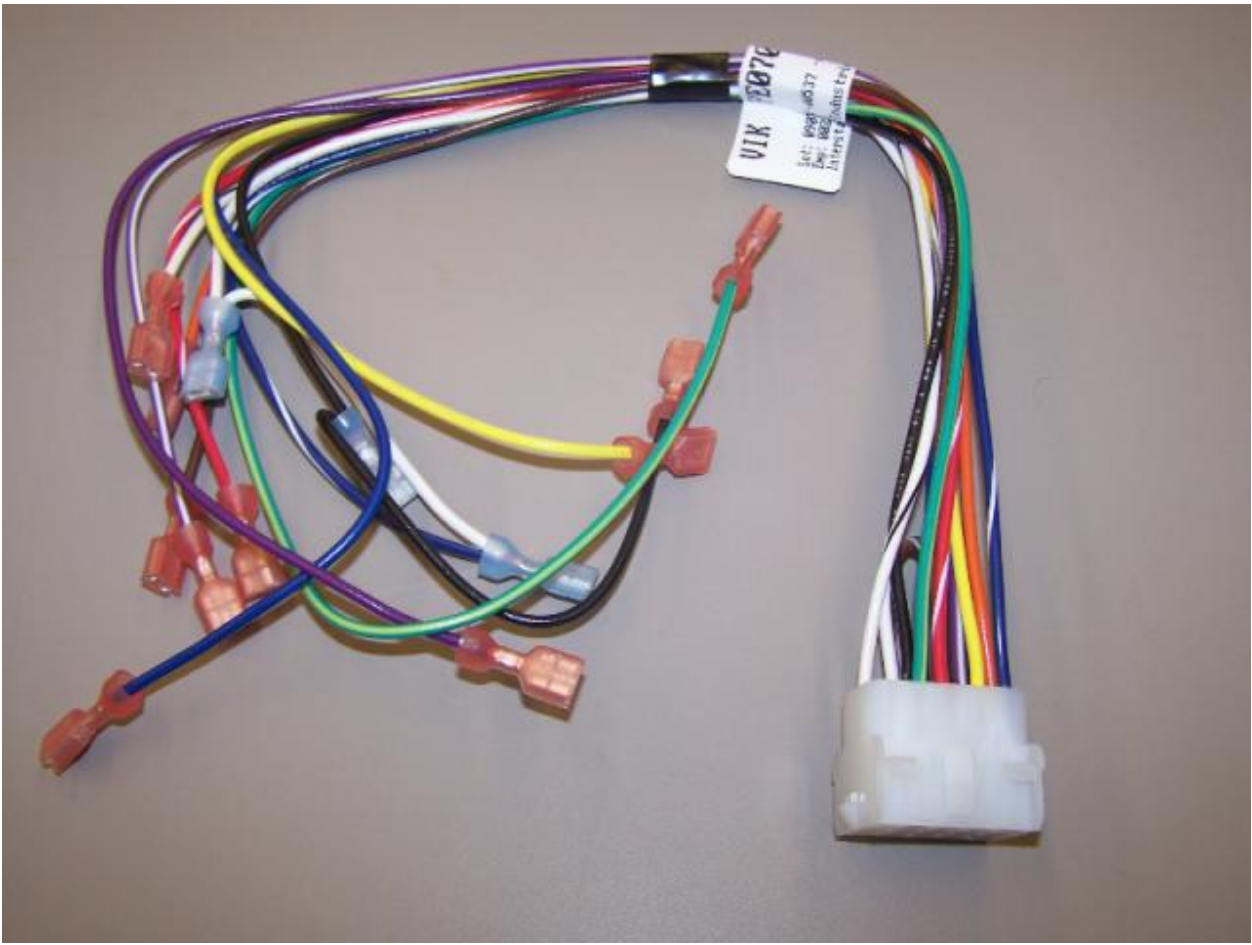
Ref #	Part Number	Qty.	Description
1	F2096507		TUBE-PROCESS GRN
2	G50911820		COMPRESSOR KIT (INCLUDES DRIER)
3	F20910729		TUBE DISCHARGE FORMED AF AR 36
4	PB920171		CONDENSER ASM
5	G50912322		EVAP ASM AF 30
6	F2099937		TUBE FORMED HT EXCH AF 36
7	PB970187		INSULATION TUBING 57.500
8	F2096669		TUBE-DRIER COND
9	F2097740		TUBE PROCESS
10	10743201		DRIER, HI SIDE

*No Image
Available*

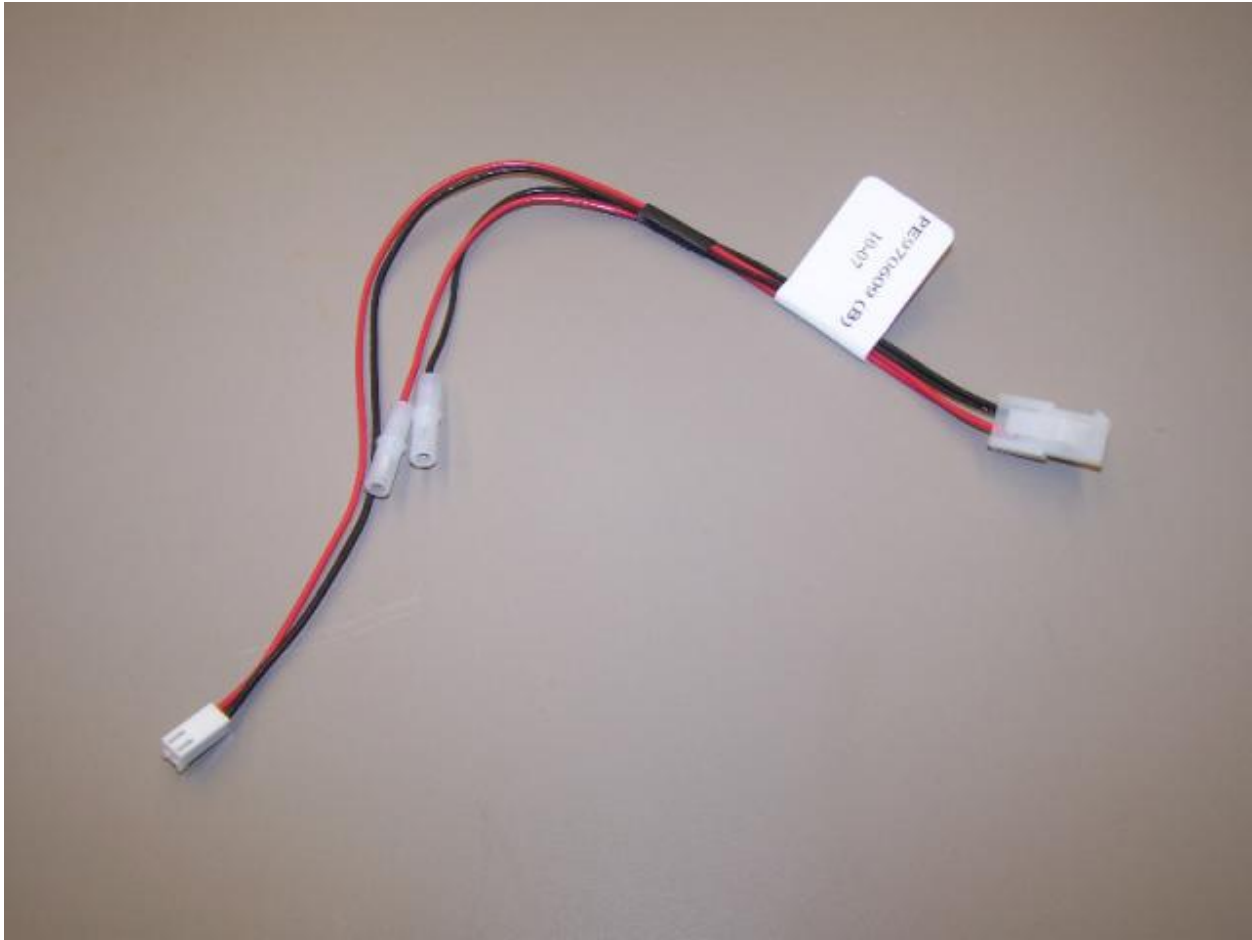
Ref #	Part Number	Qty.	Description
1	PE970568		HARNESS MACH COMP AF 36



Ref #	Part Number	Qty.	Description
1	PE970464		HARNESS LOW VOLT



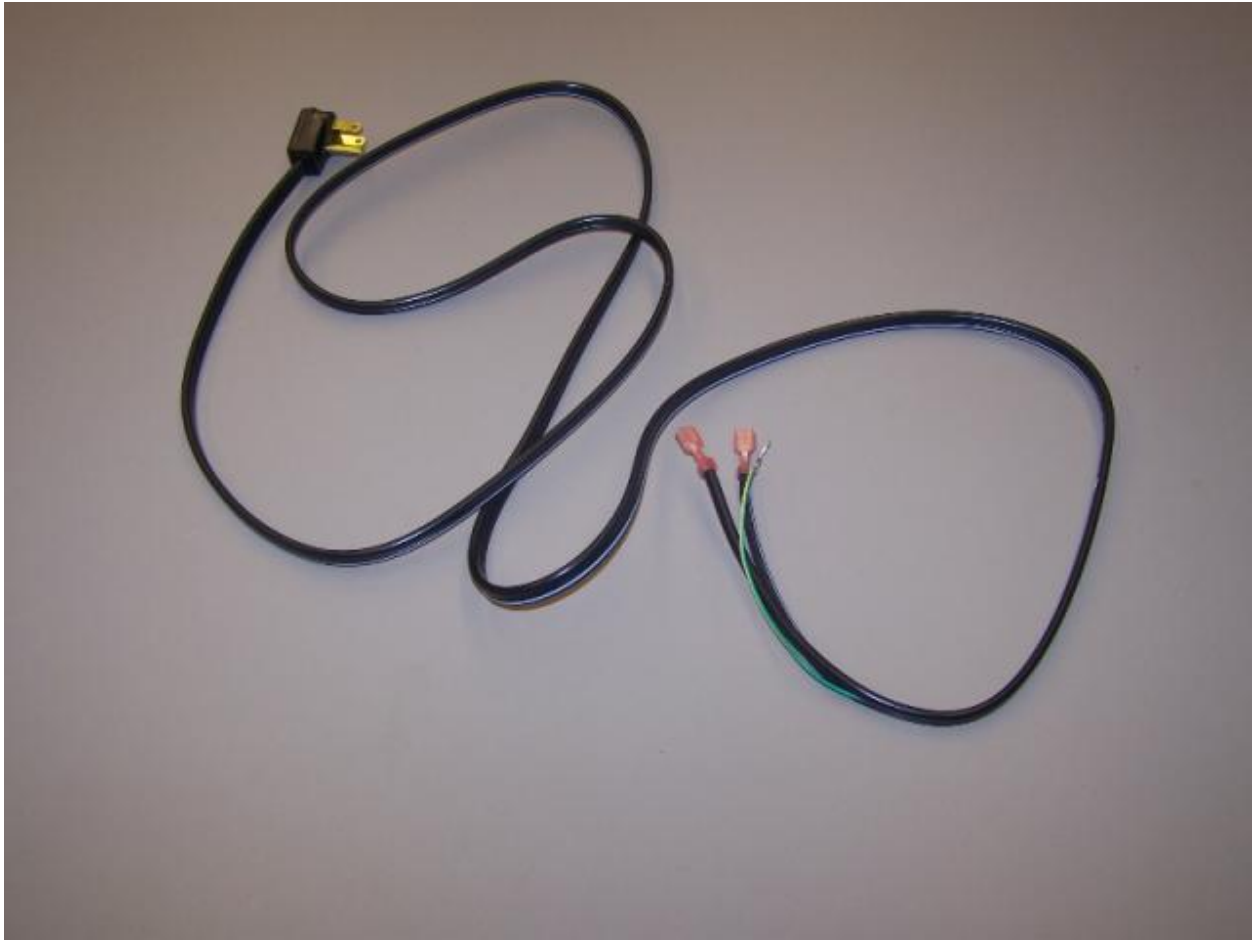
Ref #	Part Number	Qty.	Description
1	PE070785		HARNESS HIGH VOLT



Ref #	Part Number	Qty.	Description
1	PE970609		HARNESS CONTROL BOARD

*No Image
Available*

Ref #	Part Number	Qty.	Description
1	PE970558		HARNESS TOP LEFT LIGHTS AF AR 36



Ref #	Part Number	Qty.	Description
1	10916507		TUBE-PROCESS GRN

*No Image
Available*

Ref #	Part Number	Qty.	Description
NI	044042-000	1	ALL FREEZER FLOAT SWITCH WIRING KIT (FOR MANUFACTURED BEFORE 1/9/13)