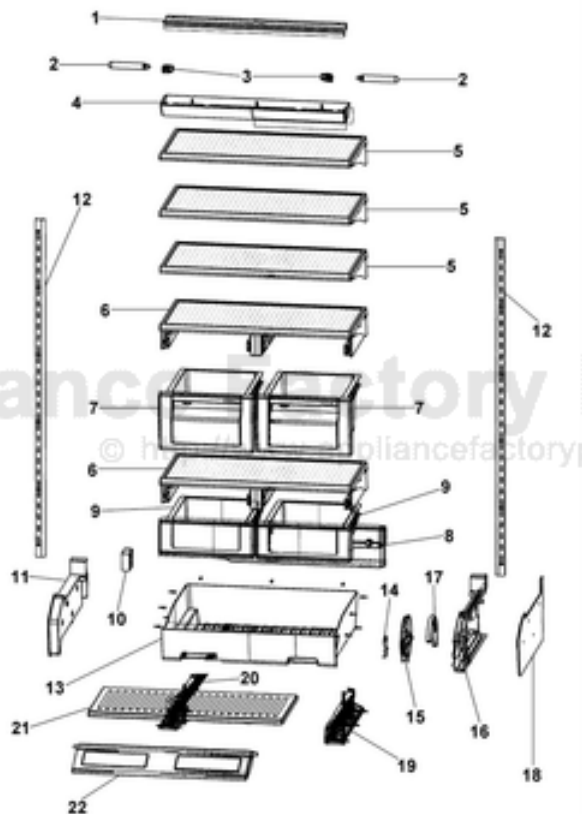


This Owner's Manual is provided and hosted by [Appliance Factory Parts](#).



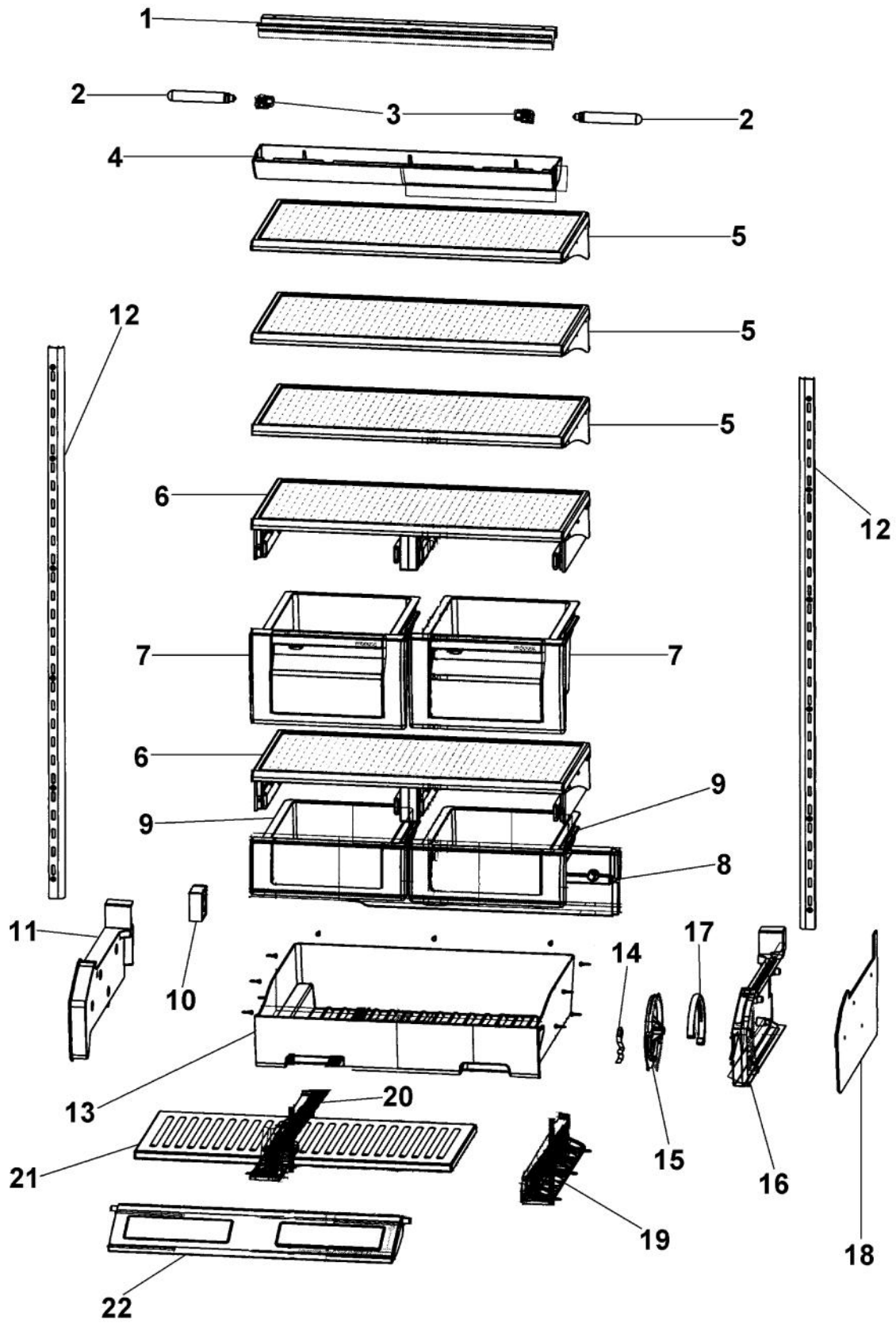
VIKING DFRB304 Owner's Manual

[Shop genuine replacement parts for VIKING DFRB304](#)

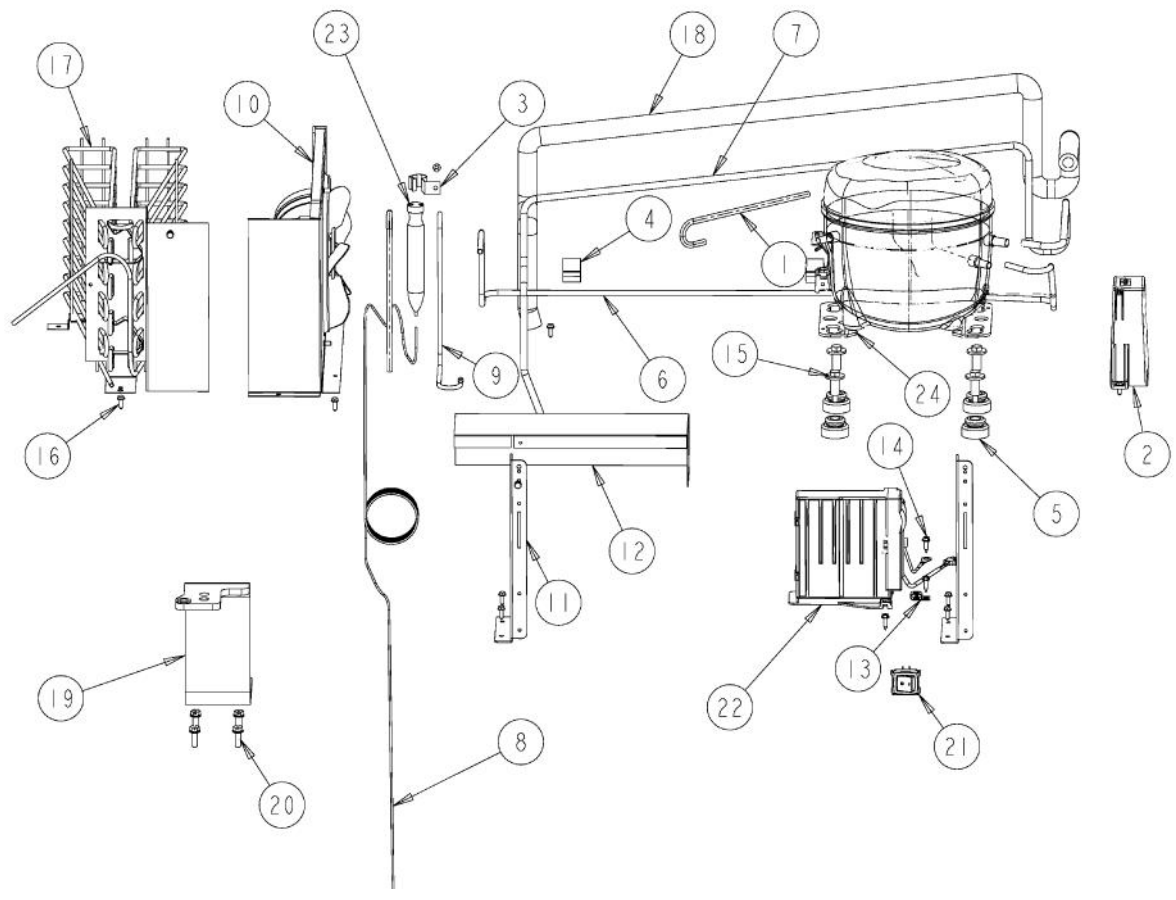


[Find Your VIKING Refrigerator Parts - Select From 341 Models](#)

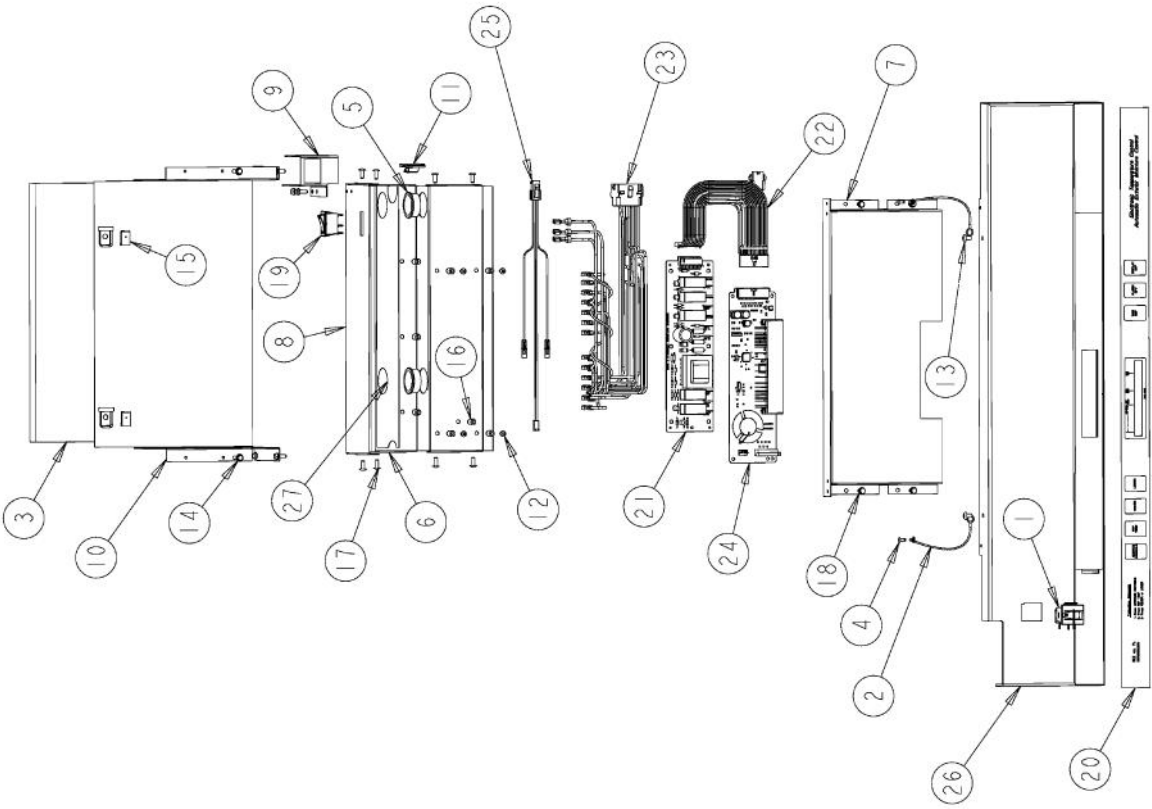
----- Manual continues below -----



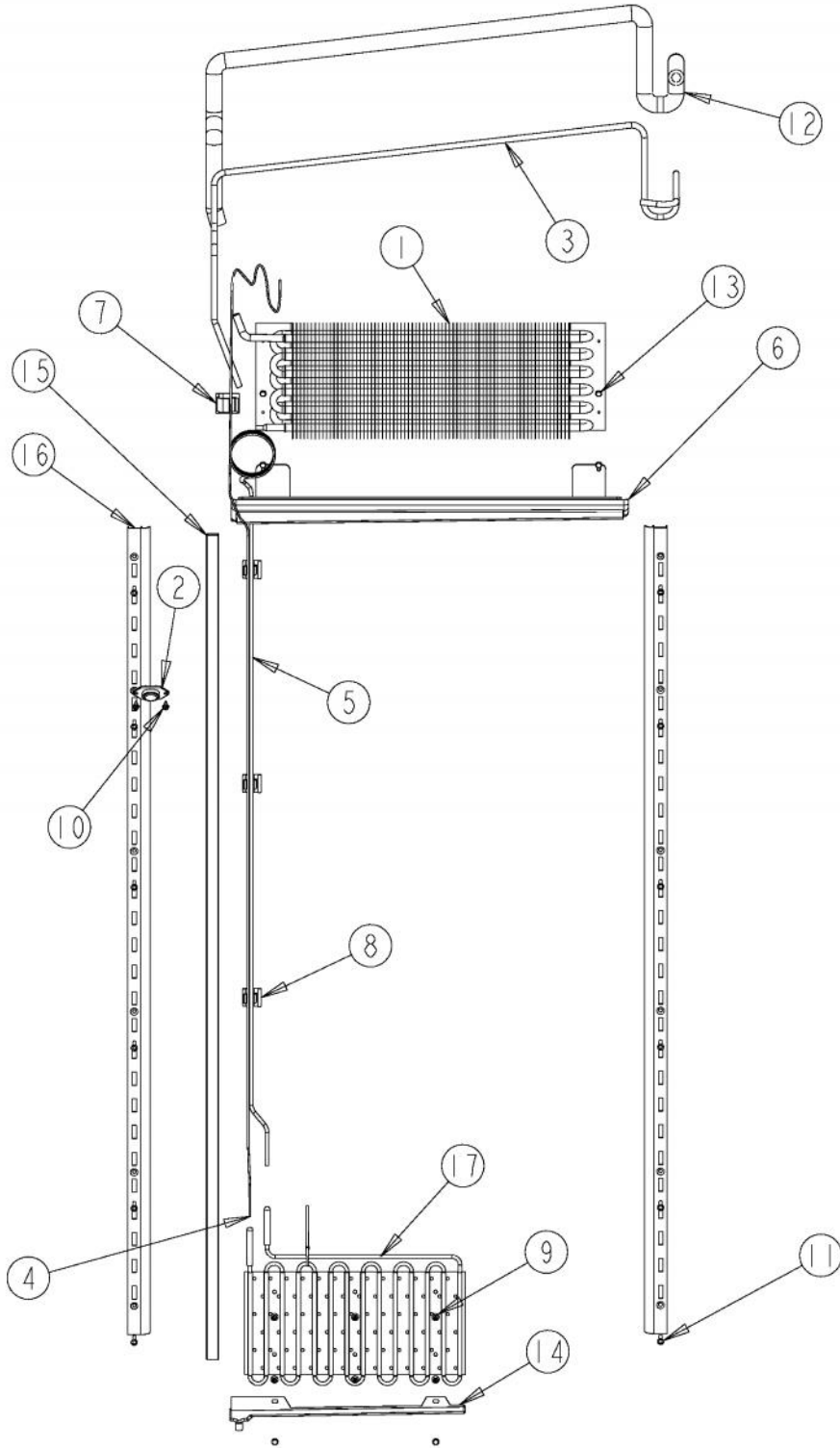
Ref #	Part Number	Qty.	Description
1	L2099492		BRACKET LIGHT SXS 48 FF
2	A3079001		LAMP - 40W
3	PE950125		LIGHT SOCKET
4	PK930268		COVER LIGHT ASM AF AR 30 SXS 48 FF
5	PM910353		GLASS SHELF
6	G50911937		SHELF ASM
7	G32911939		DRAWER PRODUCE ASM SXS 48 AR 30
8	PK930307		DUCT MEAT SAVOR AR 30 SXS 48
9	G32911938		DRAWER DELI ASM SXS AR 30
10	PE950185		FAN, MEAT SAVER
11	PK930284		DUCT MEATSAVOR LEFT
12	PM910280		LADDER SIDE AF 30 36
13	PK930309		DRAWER MEAT SAVOR AR 30 SXS 48
14	PM910334		ROLLER TENSION
15	PK930168		DIAL CONTROL MEAT SAVOR
16	PK930169		DUCT MEAT SAVOR SXS 42/48 R
17	PK930172		COVER CONTROL MEAT SAVOR
18	PK930283		DUCT MEATSAVOR SPACER
19	PM910287		SLIDE MEAT SAVOR R
20	PM910288		SLIDE MEAT SAVOR L
21	PK930308		SHELF MEAT SAVOR AR 30 SXS 48
22	PK930310		DOOR MEATSAVOR AR 30



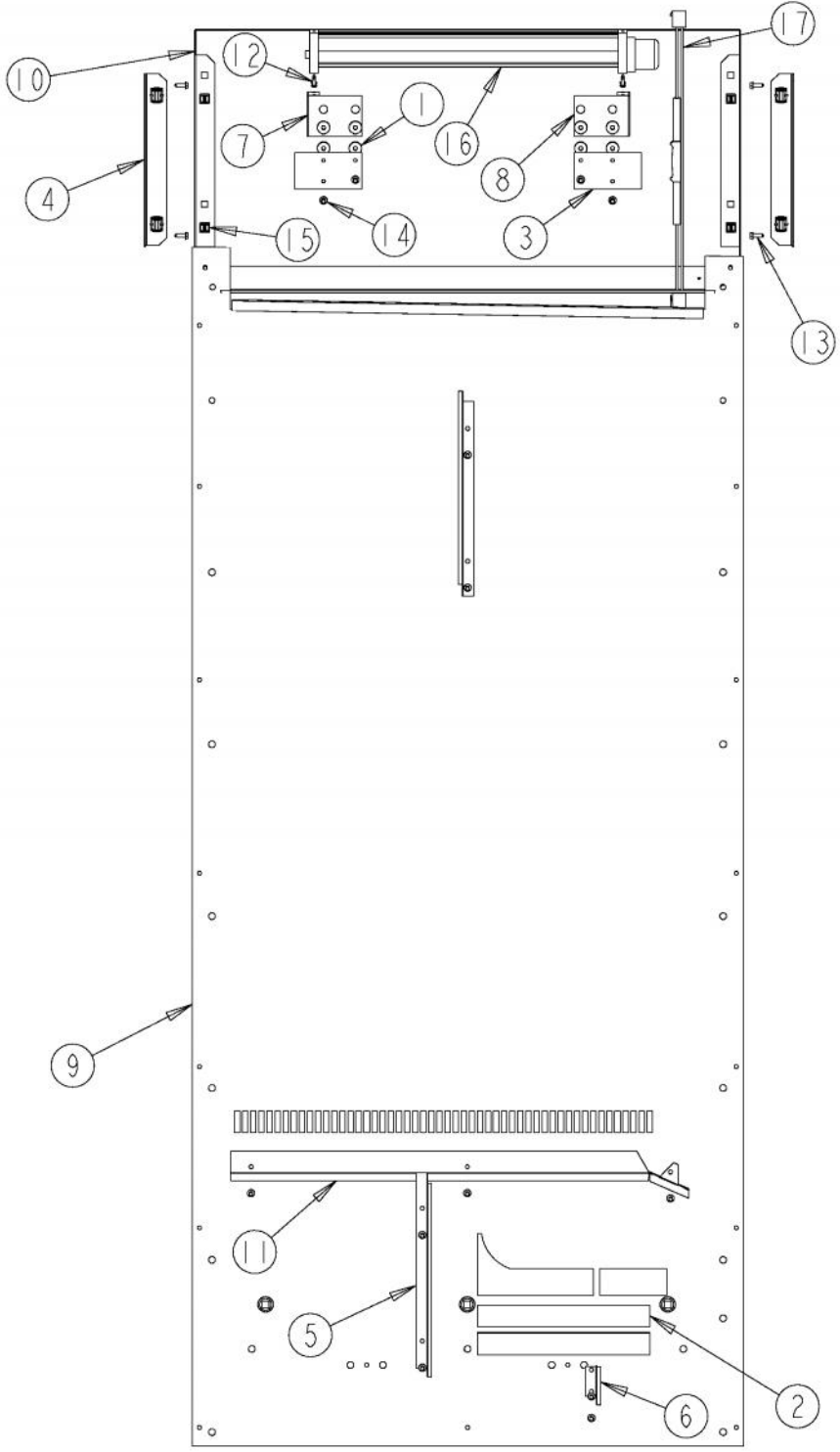
Ref #	Part Number	Qty.	Description
1	F2096507		TUBE-PROCESS GRN
2	PE970608		POWER SUPPLY 24 VDC 15 W
3	10547001		CLIP-DRIER V10547001
4	10699601		DAMPER-TUBING .8
5	10835901		GROMMET RUBBER V10835901
6	F20910737		TUBE DISCHARGE AF AR 36
7	F20911126		TUBE SUCTION AR 30
8	F20912567		TUBE CAPILLARY FORMED
9	F2096669		TUBE-DRIER COND
10	G5096494		COND. FAN ASSY
11	K20912569		BRACKET GRILLE SUPPORT
12	K20912570		DIVERTER AIR HI SIDE 30
13	M0103904		CLAMP-SPEED
14	M0211018		SCREW-SM
15	M0221523		SCREW - SHLDR
16	PD020194		SCREW-SM
17	PB920171		CONDENSER ASM
18	PB970187		INSULATION TUBING 57.500
19	PC920204		HINGE ASM UL
	PC920203		HINGE ASM UR
20	PD940088		SCREW, 1/4 X 20 HEX WASHER SERRATED
21	PE950149		SWITCH POWER
22	PE970449		INVERTER ASSEMBLY
23	10743201		DRIER, HI SIDE
24	G50911820		COMPRESSOR KIT
NI	10916507		TUBE-PROCESS GRN



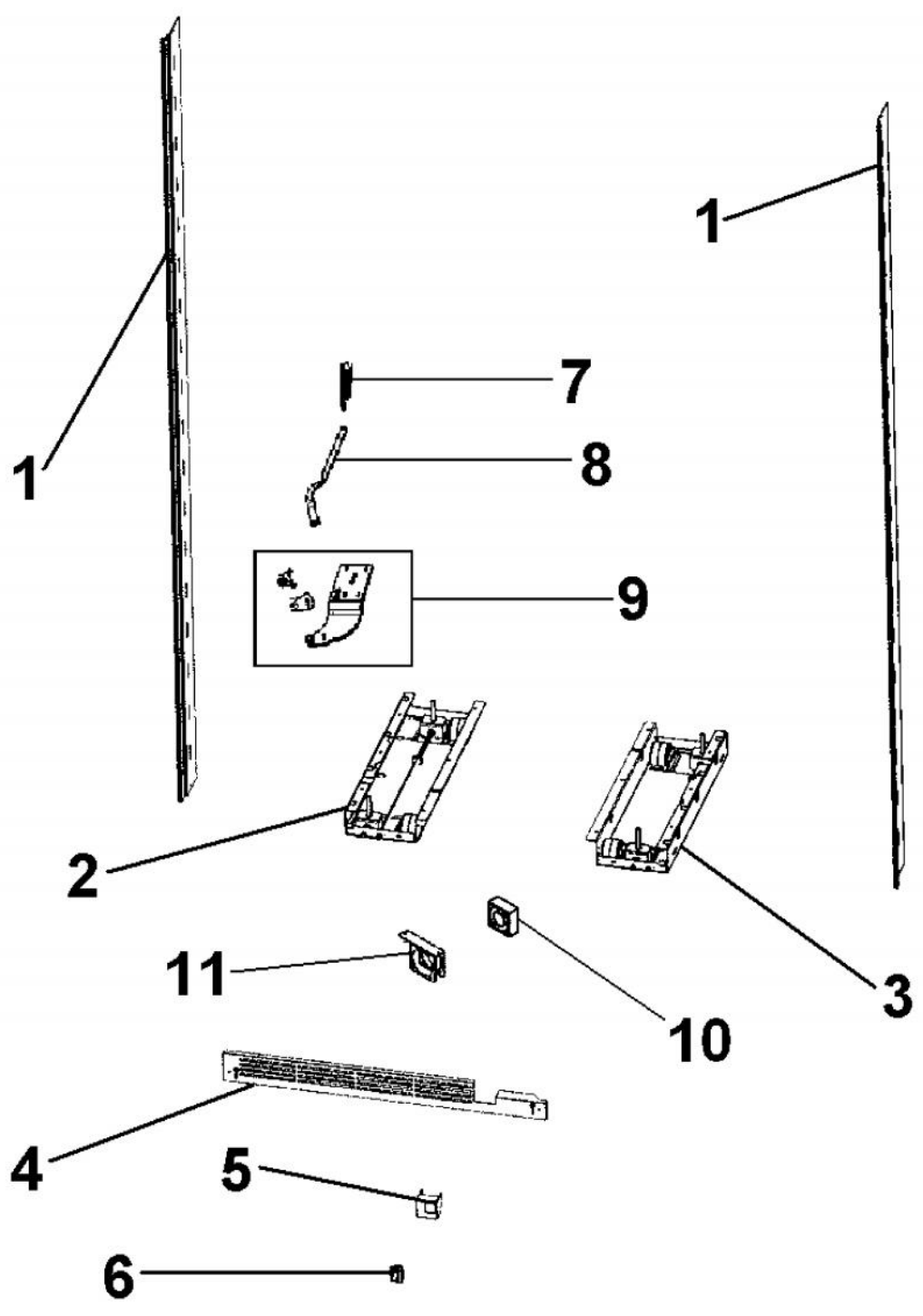
Ref #	Part Number	Qty.	Description
1	PE950122		SWITCH
2	12064001		SUPP-CONT PANEL
3	12074703		INSUL-CONT BOX V12074703
4	A4539601		SUB TO PC040010 - RIVET-POP VA4539601
5	A4554817		BUSHING-SNAP VA4554817
6	K20910060		BRACKET - PC
7	K20910061		CONTROL BOX FRONT
8	K20910062		CONTROL BOX TOP
9	K2098654		BRACKET SWITCH POWER
10	K2099402		CONTROL BOX
11	M0104106		CLIP-CORD VM0104106
12	M0217204		SCREW, SM
13	M0224128		SCREW-SM
14	M0238846		SCREW-SHLDR
15	M0288120		NUT-SPEED, VM0288120
16	M0585506		SUPPORT
17	PC040010		POP RIVET
18	PD020194		SCREW-SM
19	PE950150		SPDT ROCKER SW. W/LEGEND
20	PE950183		SWITCH OVERLAY AR 30
21	PE970463		POWER CONTROL BOARD
22	PE970464		HARNESS LOW VOLT
23	PE970465		HARNESS HIGH VOLT
24	G50911823		LOW VOLT BOARD KIT (BEFORE 1/22/05)
	PE970603		LOW VOLTAGE BOARD
25	PE970609		HARNESS CONTROL BOARD
26	PK030457		PANEL CONTROL AR 30 L
	PK030456		PANEL CONTROL AR 30 R
27	PM910325		FILM PROTECTIVE



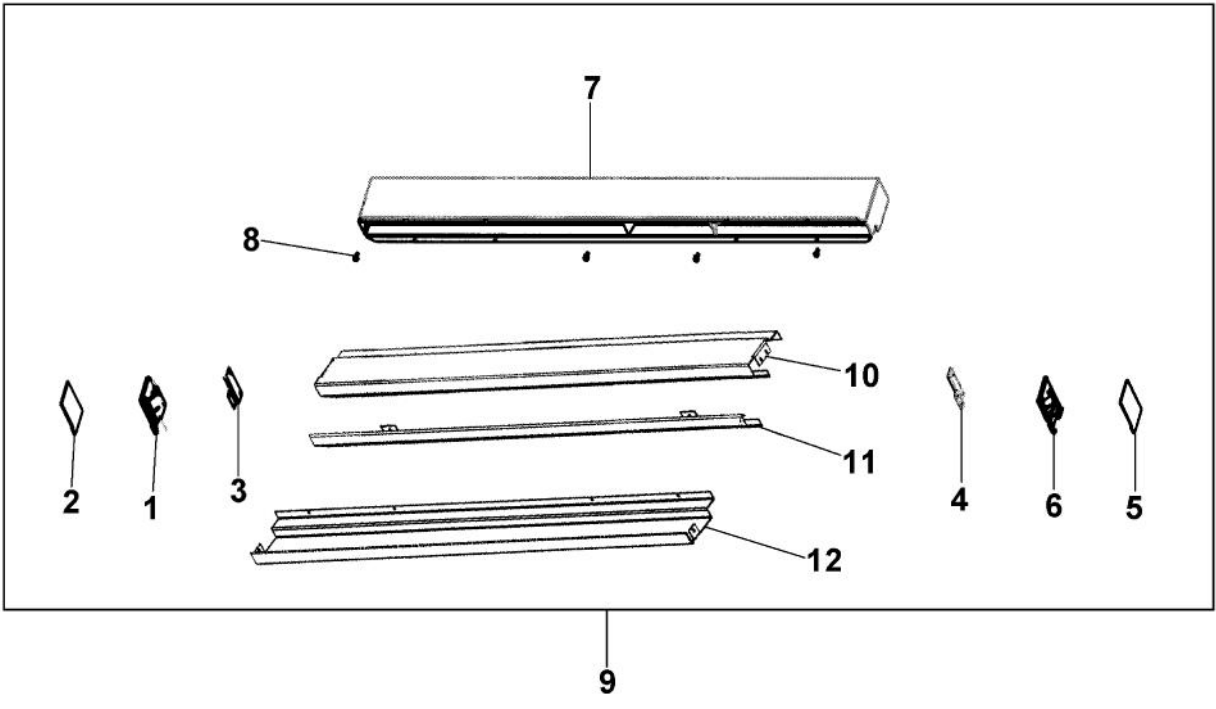
Ref #	Part Number	Qty.	Description
1	PM910457		EVAPORATOR AR 36 30
2	C8983701		THERMISTOR
3	F20911126		TUBE SUCTION AR 30
4	F20912567		TUBE CAPILLARY FORMED
5	F20913719		TUBE EVAP AR 30
6	G50914188		DRAIN PAN ASM UPPER AR30
7	M0104102		CLIP-CORD RED
8	M0104106		CLIP-CORD VM0104106
9	M0210417		SCREW, SS SM
10	M0232929		SCREW-SE
11	M0238535		SCREW-SM
12	PB970187		INSULATION TUBING 57.500
13	PD020194		SCREW-SM
14	PK030445		PAN DRAIN LOWER EVAP AR 30 36
15	PK030446		DRAIN VERTICAL AR 30 36
16	PM910280		LADDER SIDE AF 30 36
17	PM910496		MS HEAT EXCH ASM AR 36 30



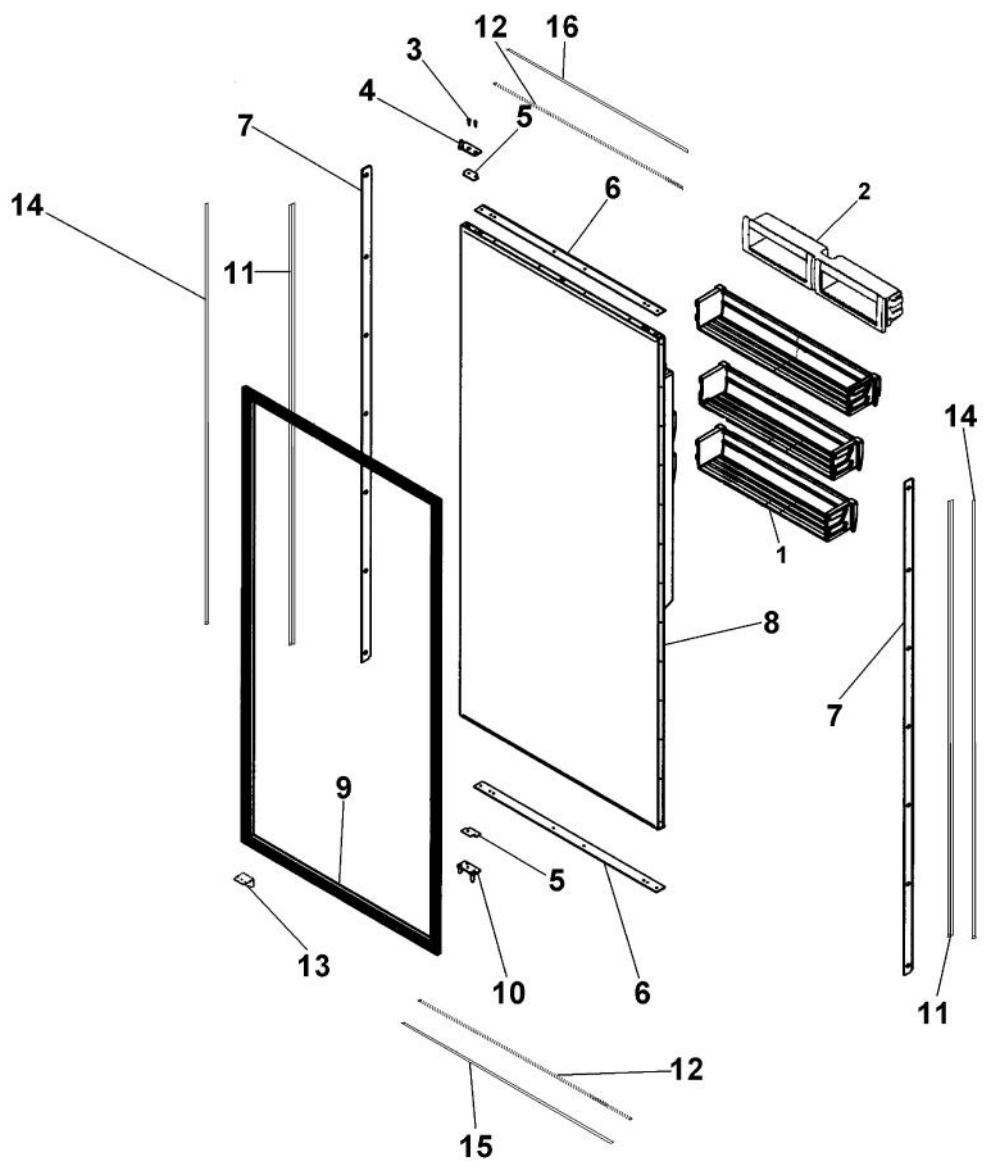
Ref #	Part Number	Qty.	Description
1	12234001		GROMMET-VIBRATION
2	A3030361		GASKET, RED
3	B10914128		SPACER FAN AR 36/30
4	G50912369		ANGLE UPR EVAP MTNG AR
5	K20912393		PLATE BAFFLE VERTICAL AR 30
6	K20912394		PLATE BAFFLE VERTICAL SMALL AR 30
7	K20914130		BRKT, FAN MTG RT AR 30
8	K20914131		BRKT, FAN MTG LT AR 30
9	L20910734		COVER LARGE SUMP AR 30
10	L20911947		COVER EVAP AR 30
11	L20913709WH		DIVIDER AIR AR 30
12	M0217204		SCREW, SM
13	M0238616		SCREW-SM
14	M0238859		SCREW-SHLDR
15	PD950012		STRIKE PANEL ACCESS
16	PE950154		FAN EVAP HORIZ AF AR 30
17	PE970641		JUMPER FAN RESISTOR



Ref #	Part Number	Qty.	Description
1	PK920066		SIDE TRIM
2	PM910399		LEVELER MODULE L
3	PM910398		LEVELER ASSEMBLY - R
4	G50911380		GRILLE TOE ASM COMPLETE 30 R
	G50911381		GRILLE TOE ASM 30 LH
5	C9098046BK		BASE GRILLE SWITCH MOUNT - RH
6	PE950147		SWITCH SPST NC BLACK
7	PC910015		SPRING EXTENSION
8	PC920149		BAR-WC BOT HINGE LH
	PC920166		BAR-WC BOT HINGE RH
9	G3298649		HINGE ASM COMPLETE LL
	G3298648		HINGE ASM COMPLETE LR
10	12075003		MOTOR-REF FAN
11	K20911976		BRACKET EVAP FAN ICE



Ref #	Part Number	Qty.	Description
1	PM910349		END CAP GRILLE L
2	PM910071		COVER - END CAP 12119801
3	C9099471BK		BRACKET GRILLE SUPPORT DES L
4	C9099470BK		BRACKET GRILLE SUPPORT DES R
5	PM910072		COVER - END CAP 12119802
6	PM910348		ENP CAP GRILLE R
7	G9099202BK		AIR DUCT WELD ASM COMPLETE 30 XBKX
8	M0238616		SCREW-SM
9	G32911166		GRILLE ASM 30 FOL L
	G32911167		GRILLE ASM 30 FOL R
10	PM910406		GRILLE LOUVER UPPER AF AR 30 DES FOL
11	PM910407		GRILLE LOUVER MID AF AR 30 DES FOL
12	PM910408		GRILLE LOUVER LOWER AF AR 30 L DES FOL
	PM910420		GRILLE LOUVER LOWER AF AR 30 R DES FOL
NI	PM910437		GRILLE EXTENSION AF AR 30 FOL
NI	PM910428		GRILLE SPACER AF AR 30 FOL



Ref #	Part Number	Qty.	Description
1	G5099291		DOOR BIN ASM SXS 48 FF AND 30 AR
2	V12203602		DAIRY MODULE ASM
3	M0226233		SUB TO PD920174 - 10 X 7/8 PHILLIPS SMA TRI LOBE SA
4	PC920208		PIVOT PL ASM LH UP FOL
	PC920204		HINGE ASM UL
5	PD940092		SPACER - DOOR HINGE
6	PM910432		TRIM DOOR AF AR 30 TOP BOT FOL
7	PM910102		SIDE TRIM
8	G5099057		DOOR ASM COMPLETE AR 30
9	PB070297		DOOR GASKET, 30 AR/AF SIDE CHARGE
10	PC920206		PIVOT PL ASM LH LW FOL
	PC920205		PIVOT PL ASM RH LW FOL
11	K2096650		BRKT-DEC PANEL
12	K2096651		BRKT-DEC PANEL
13	C90911328BK		STRIKER SWITCH
14	PM910097		INSERT SXS FF/FZ SIDE 12063706
15	PM910117		INSERT 36 BM FZ TOP L
16	PM910117		INSERT 36 BM FZ TOP L
NI	M0210443		SCREW-E SM