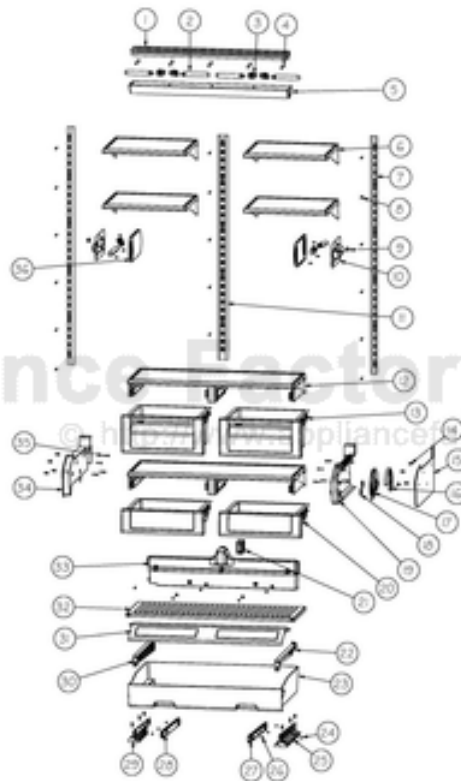


This Owner's Manual is provided and hosted by [Appliance Factory Parts](http://ApplianceFactoryParts.com).



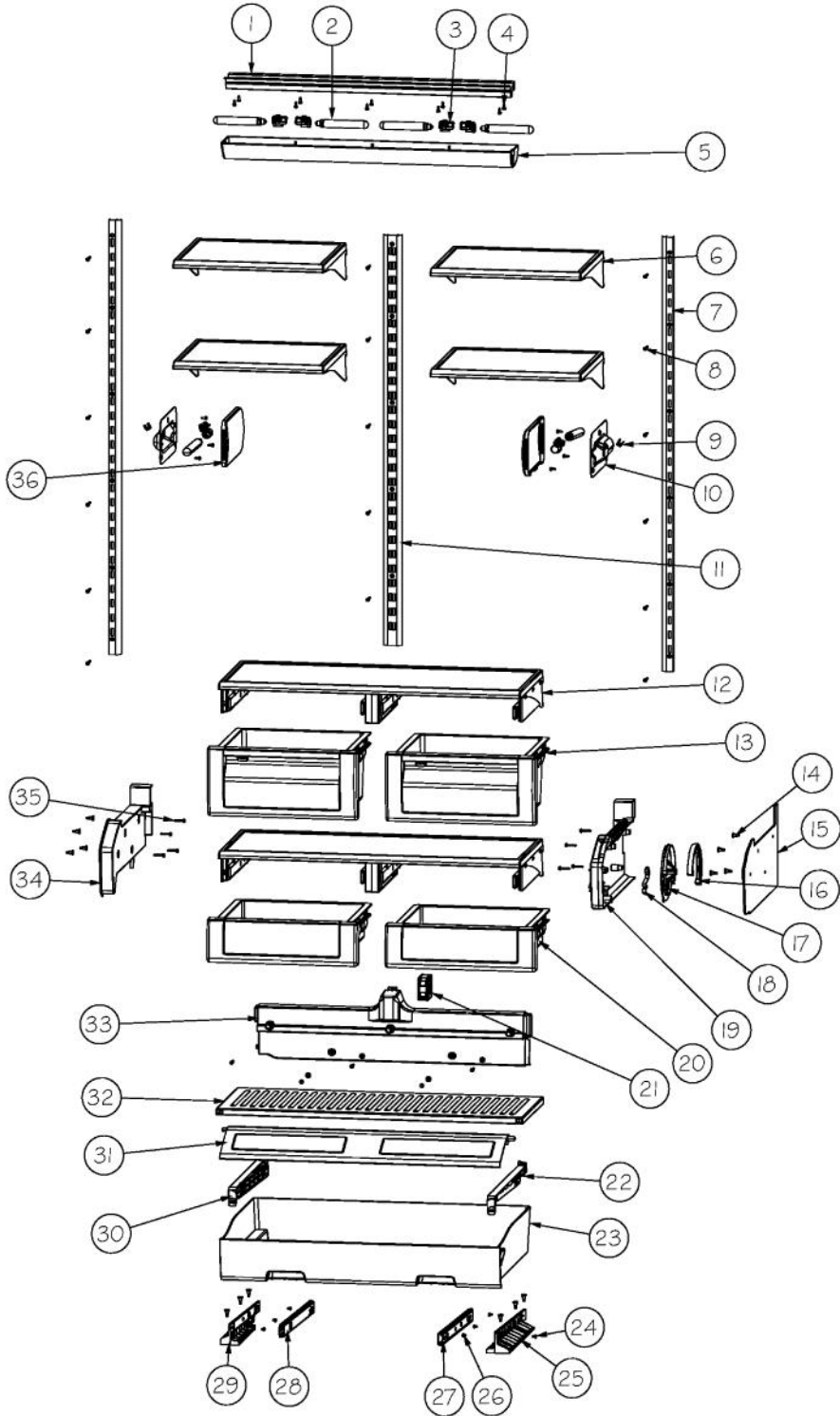
VIKING DFRB536 Owner's Manual

[Shop genuine replacement parts for VIKING DFRB536](#)

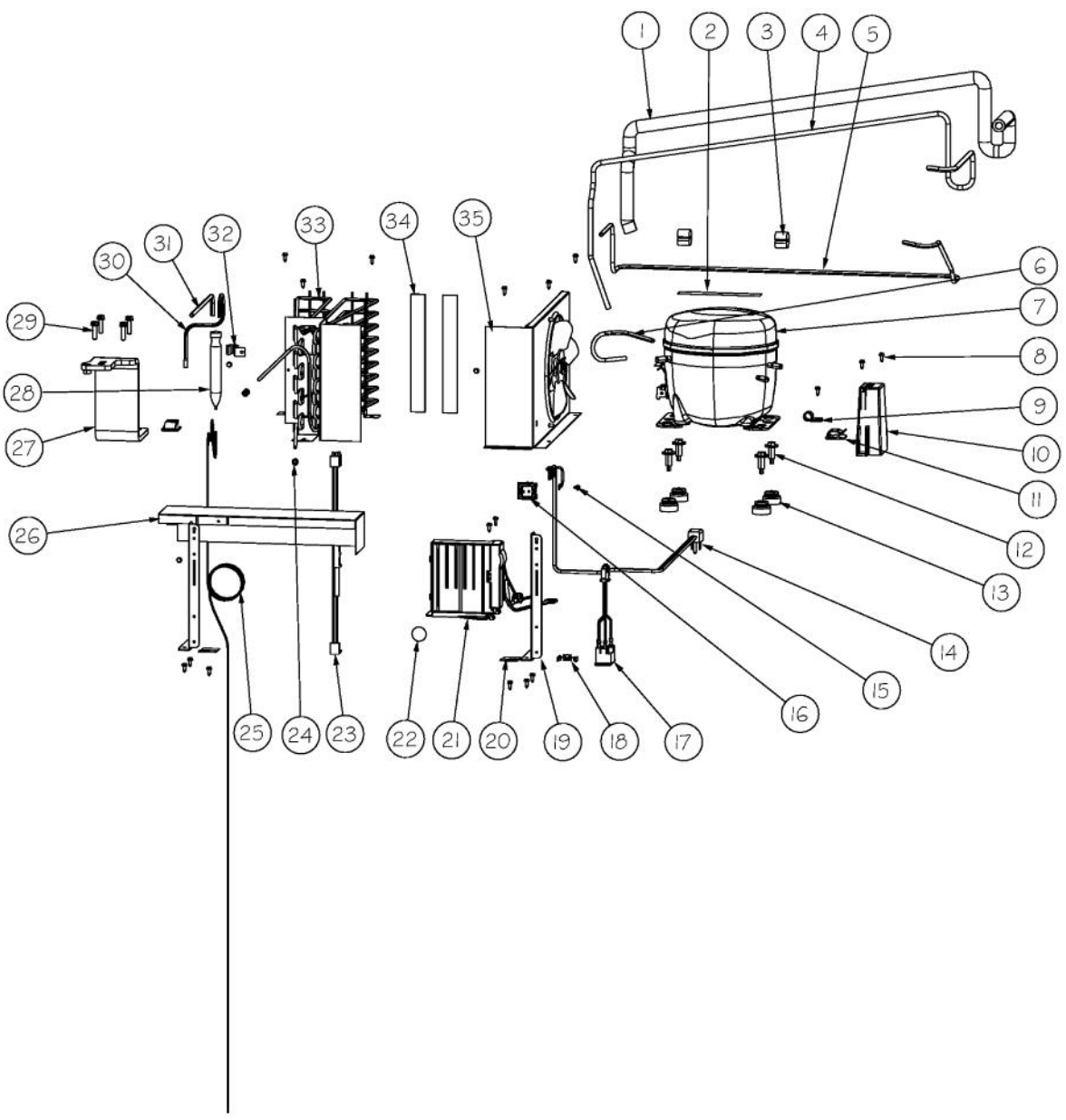


[Find Your VIKING Refrigerator Parts - Select From 341 Models](#)

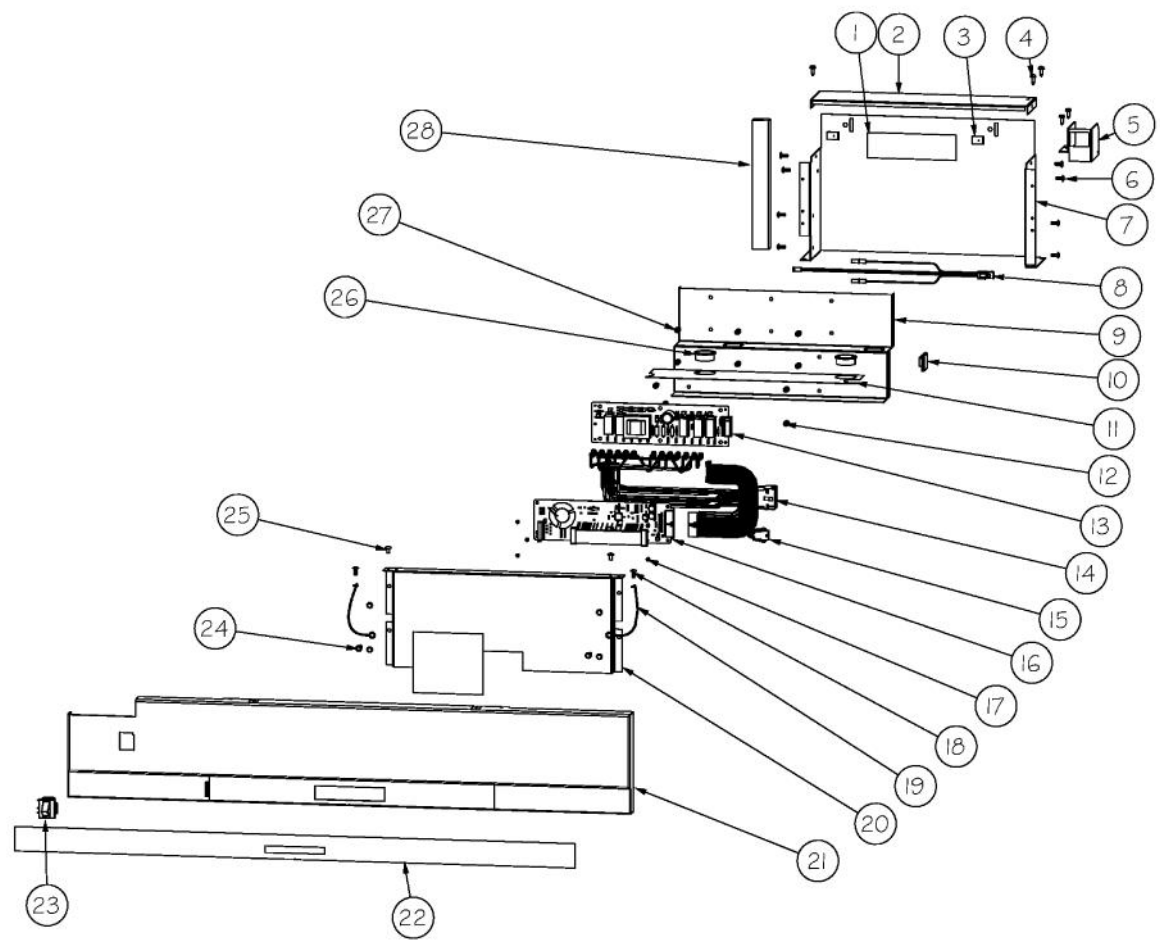
----- Manual continues below -----



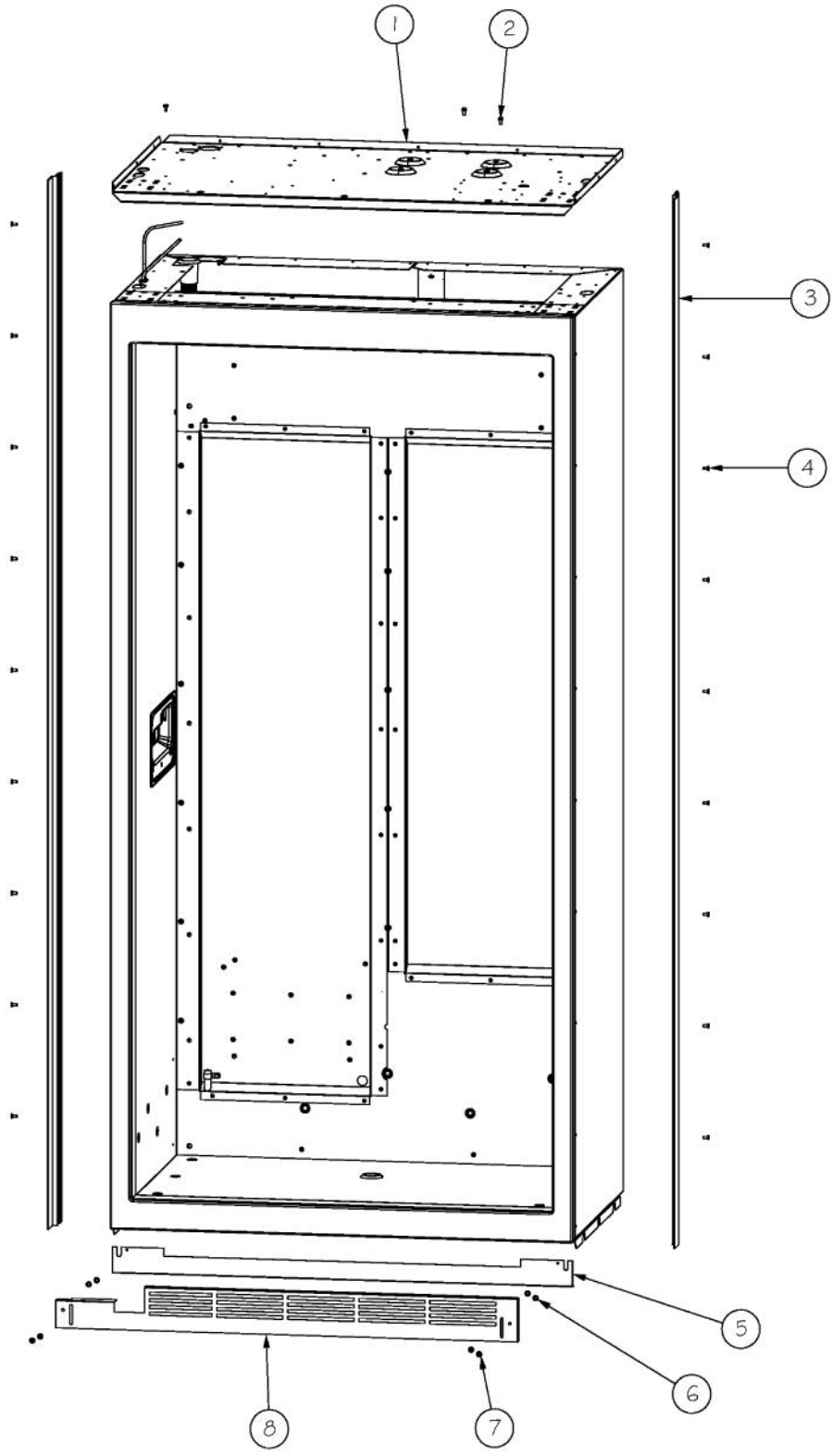
Ref #	Part Number	Qty.	Description
1	L20910705	1	BRACKET LIGHT AR 36
2	004528-000	6	LAMP, 40 WATT BLUE LIGHT
3	PE950125	6	LIGHT SOCKET
4	PD020194	18	SCREW-SM
5	PK930267	1	COVER LIGHT ASM AF AR BM 36
6	PM910351	4	SHELF ASM GLASS BM 36 FF
7	PM910280	2	LADDER SIDE AF 30 36
8	M0238535	17	SCREW-SM
9	B5733302	2	CLIP-GROUND
10	10270203	2	HOUSING-LIGHT V10270203
11	PM910284	1	LADDER CENTER AR 36
12	G50911908	2	SHELF & SLIDE ASM AR 36
13	012396-000	2	DRAWER,PRODUCE,ASM AR 36
14	M0581001	18	GROMMET-SCREW
15	PK930283	1	DUCT MEATSAVOR SPACER
16	PK930172	1	COVER CONTROL MEAT SAVOR
17	PK930168	1	DIAL CONTROL MEAT SAVOR
18	PM910334	1	ROLLER TENSION
19	PK930169	1	DUCT MEAT SAVOR SXS 42/48 R
20	G50912334	2	DRAWER DELI ASM AR 36
21	000730-000	1	MEAT SAVOR FAN - 3.8 W
22	PK930175	1	SUPPORT DRAWER MEAT SAVOR SXS 42/48 R
23	PK930278	1	DRAWER MEAT SAVOR AR BM 36
24	M0224128	1	SCREW-SM
25	PK930173	1	SUPPORT SLIDE MEAT SAVOR SXS 42/48 R
26	PD920162	6	SCR 8-16 PLASTITE PNP 1/4 S
27	PM910287	1	SLIDE MEAT SAVOR R
28	PM910288	1	SLIDE MEAT SAVOR L
29	PK930174	1	SUPPORT SLIDE MEAT SAVOR SXS 42/48 L
30	PK930176	1	SUPPORT DRAWER MEAT SAVOR 42/48 L
31	009916-000	1	MEAT SAVOR LID/DOOR AR/BM36
32	PK930286	1	SHELF MEATSAVOR AR/BM 36
33	PK930285	1	DUCT MEATSAVOR REAR AR 36
34	PK930284	1	DUCT MEATSAVOR LEFT
35	M0211021	11	SCREW-SM
36	PK930346	1	COVER LIGHT



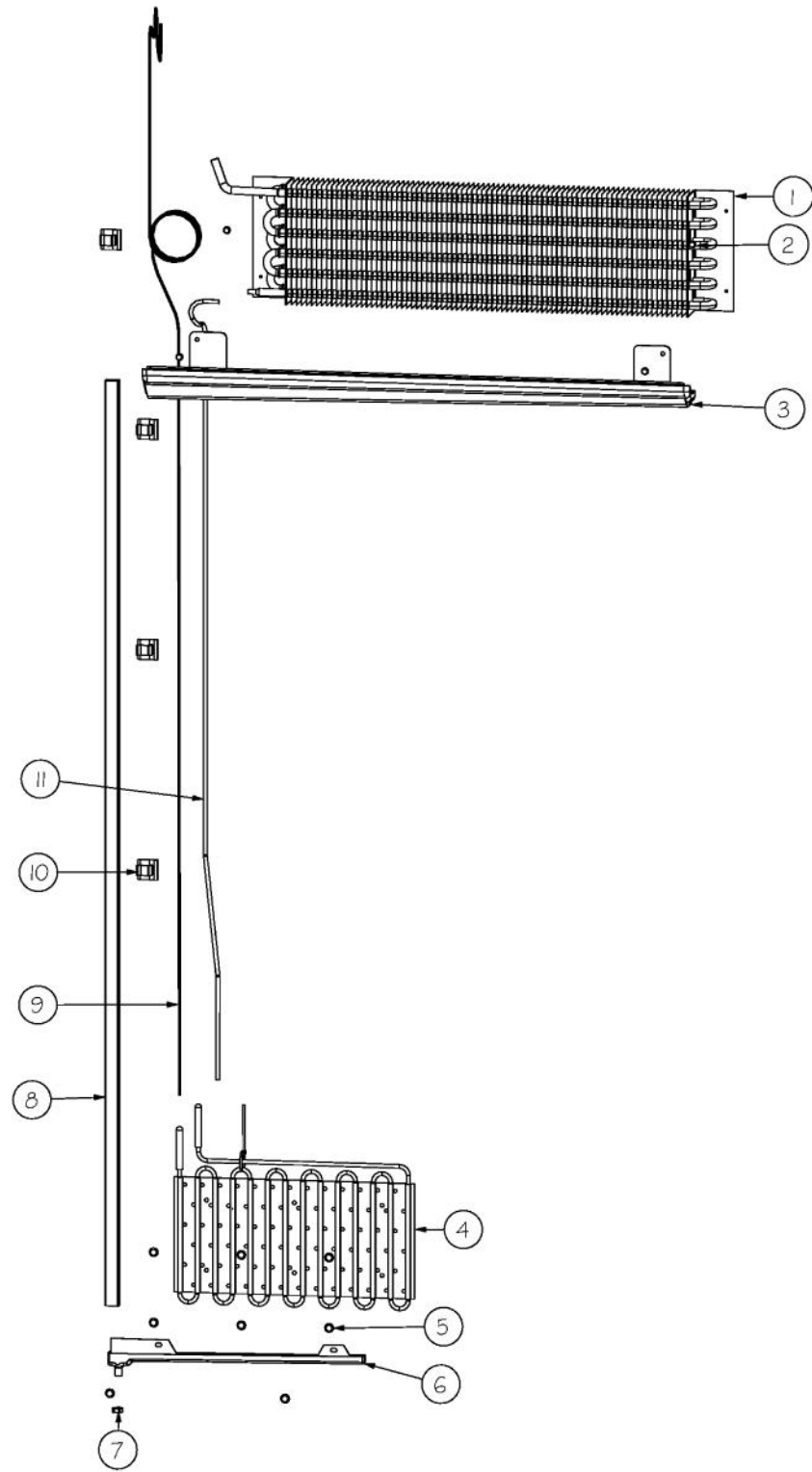
Ref #	Part Number	Qty.	Description
1	PB970187	1	INSULATION TUBING 57.500
2	C8982701	1	LABEL-COMP WARN
3	10699601	2	DAMPER-TUBING .8
4	F2099936	1	TUBE SUCTION AR 36
5	F20910729	1	TUBE DISCHARGE FORMED AF AR 36
6	F2096507	1	TUBE-PROCESS GRN
7	PM010620	1	COMPRESSOR VCC
8	PD020194	19	SCREW-SM
9	PD030118	1	SCREW - SHLDR
10	PE970608	1	POWER SUPPLY 24 VDC 15 W
11	M0104102	2	CLIP-CORD RED
12	M0221523	4	SCREW - SHLDR
13	10835901	4	GROMMET RUBBER V10835901
14	10916507	1	TUBE-PROCESS GRN
15	M0211014	1	SCREW-SM
16	PE950149	1	SWITCH POWER
17	G50915958	1	ASM AR SABBATH MODE RELAY
18	M0327801	1	SPLICE TAP
19	K20912569	2	BRACKET GRILLE SUPPORT
20	K2096943	2	PANEL BRACKET
21	002574-000	1	INVERTER COMPRESSOR
22	PF930682	1	LABEL WARNING INVERTER
23	PE970641	1	JUMPER FAN RESISTOR
24	007407-000	2	RING,LOK, .187 DIA
25	PB920246	1	TUBE CAPILLARY ASM AR 36 30
26	K20912361	1	DIVERTER AIR HI SIDE 36
27	PC920194	1	HINGE ASSEM UPPER LH
28	PM910381	1	DRIER - HIGH SIDE
29	000570-000	4	HEX SCREW
30	003325-000	1	TUBE DRIER COND.
31	F2097740	1	TUBE PROCESS
32	10547001	1	CLIP-DRIER V10547001
33	PB920171	1	CONDENSER ASM
34	A3189370	2	GASKET-FOAM VA3189370
35	G5096494	1	COND. FAN ASSY
NI	PK930424	1	VALVE POP UP ASM



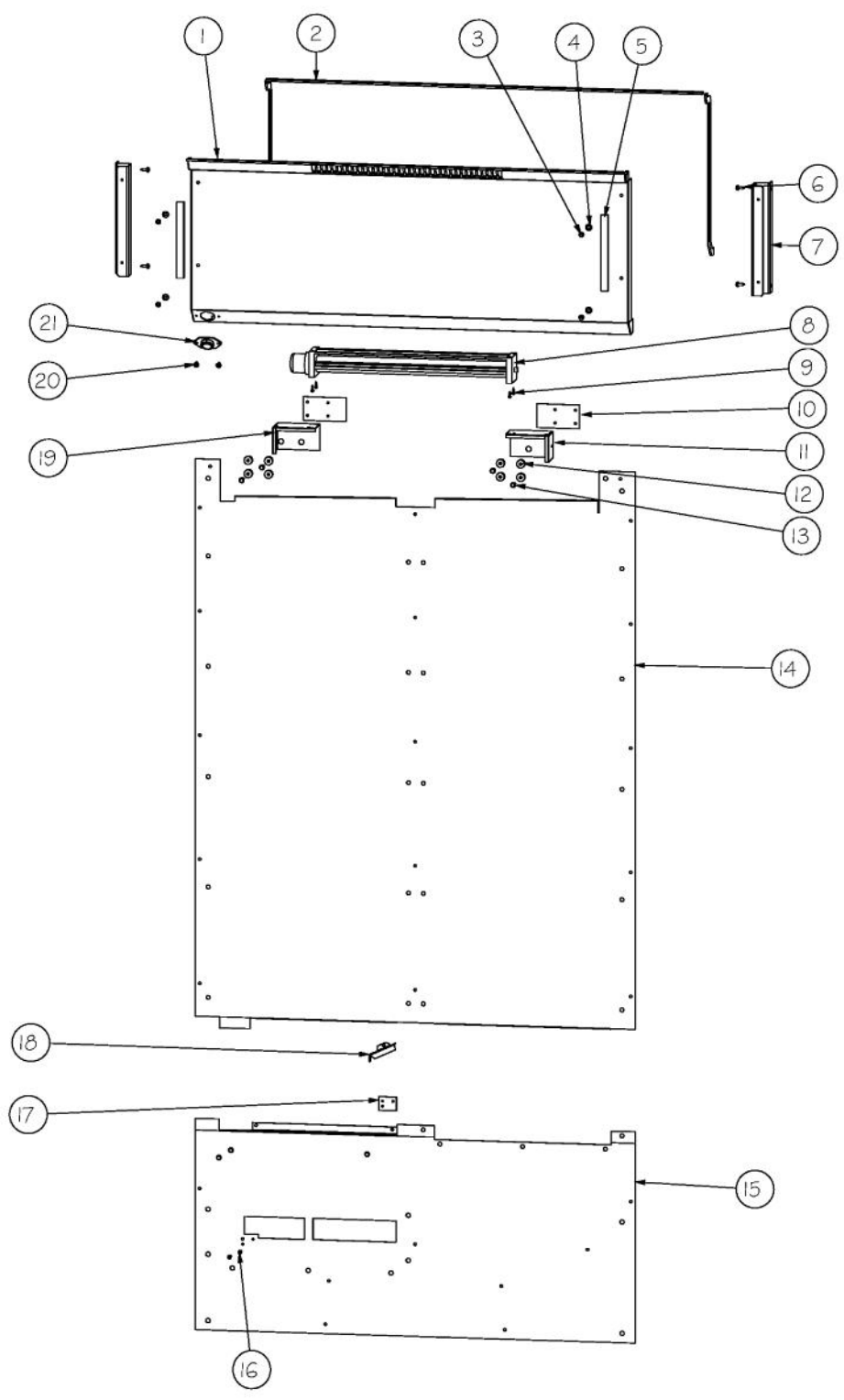
Ref #	Part Number	Qty.	Description
1	PF930487	1	TECH LITERATURE LABEL - 2
2	K20915000	1	CONTROL BOX TOP
3	M0288120	1	NUT-SPEED, VM0288120
4	PD020194	7	SCREW-SM
5	K2098654	1	BRACKET SWITCH POWER
6	PC040010	8	POP RIVET
7	K2099402	1	CONTROL BOX
8	PE970609	1	HARNESS CONTROL BOARD
9	K20910060	1	BRACKET - PC
10	M0104106	1	CLIP-CORD VM0104106
11	005396-000	1	FILM,PROTECTIVE
12	M0585506	4	SUPPORT
13	005319-000	1	POWER CONTROL BOARD ASM
14	PE070785	1	HARNESS HIGH VOLT
15	PE970464	1	HARNESS LOW VOLT
16	PE070728	1	BOARD LOW VOLTAGE
17	PD020013	5	TYPE AB NO.6 X 3/8 PH PAN HD. SMS
18	PC040010	2	POP RIVET
19	12064001	2	SUPP-CONT PANEL
20	K20910061	1	CONTROL BOX FRONT
21	PK030459	1	PANEL CONTROL AR 36 L
22	010497-000	1	OVERLAY SWITCH AR 36
23	PE950122	1	SWITCH
24	M0238846	1	SCREW-SHLDR
25	M0224128	1	SCREW-SM
26	A4554817	2	BUSHING-SNAP VA4554817
27	M0585504	6	SUPPORT
28	A3030361	1	GASKET, RED



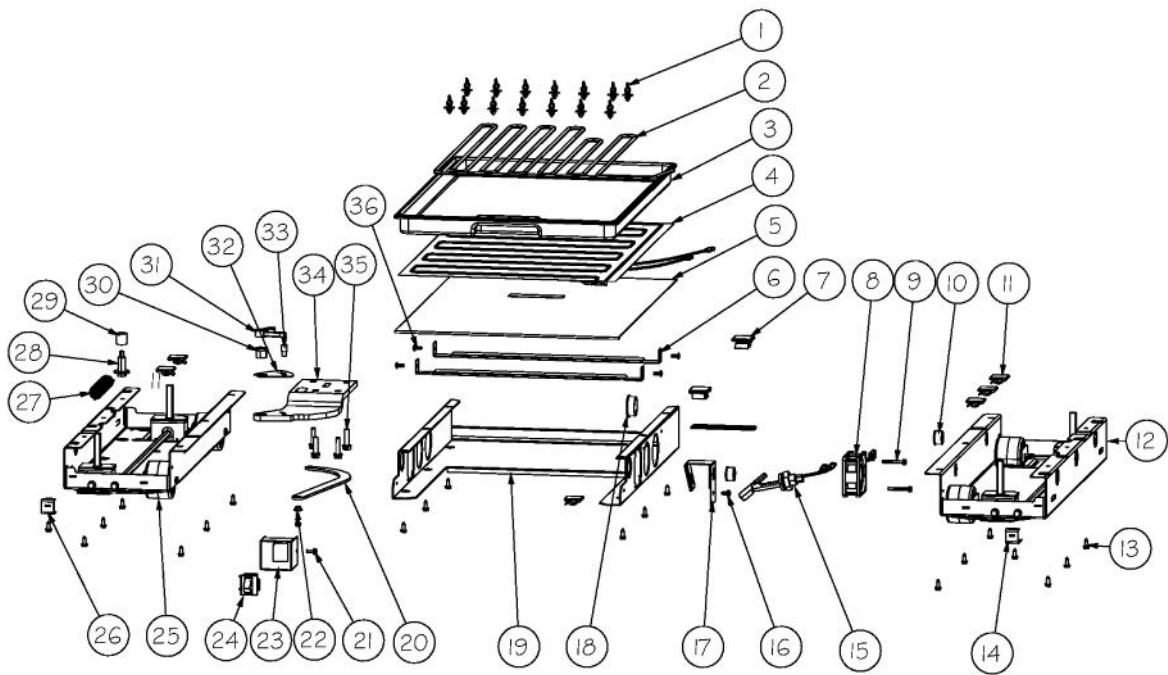
Ref #	Part Number	Qty.	Description
1	K2098345	1	OC TOP AF AR 36
2	PD020010	3	10 X 3/8 GREEN GROUNDING SCREW
3	PK920066	2	SIDE TRIM
4	M0215318	18	SCREW-SM
5	015559-002	1	SOLID, TOE, GRILLE, 36 AF, AR, BM
6	40370P01	4	NYLON FLAT WASHER V40370P01
7	M0210443	4	SCREW-E SM
8	015558-002	1	VENT, TOE, GRILLE, 36 AF, AR, R
NI	015557-002	1	VENT, TOE, GRILLE, 36 AF, AR, L
NI	015805-000	1	GRILLE,TOE,ASM,36 AF,AR,R
NI	015806-000	1	GRILLE,TOE,ASM,36 AF,AR,L



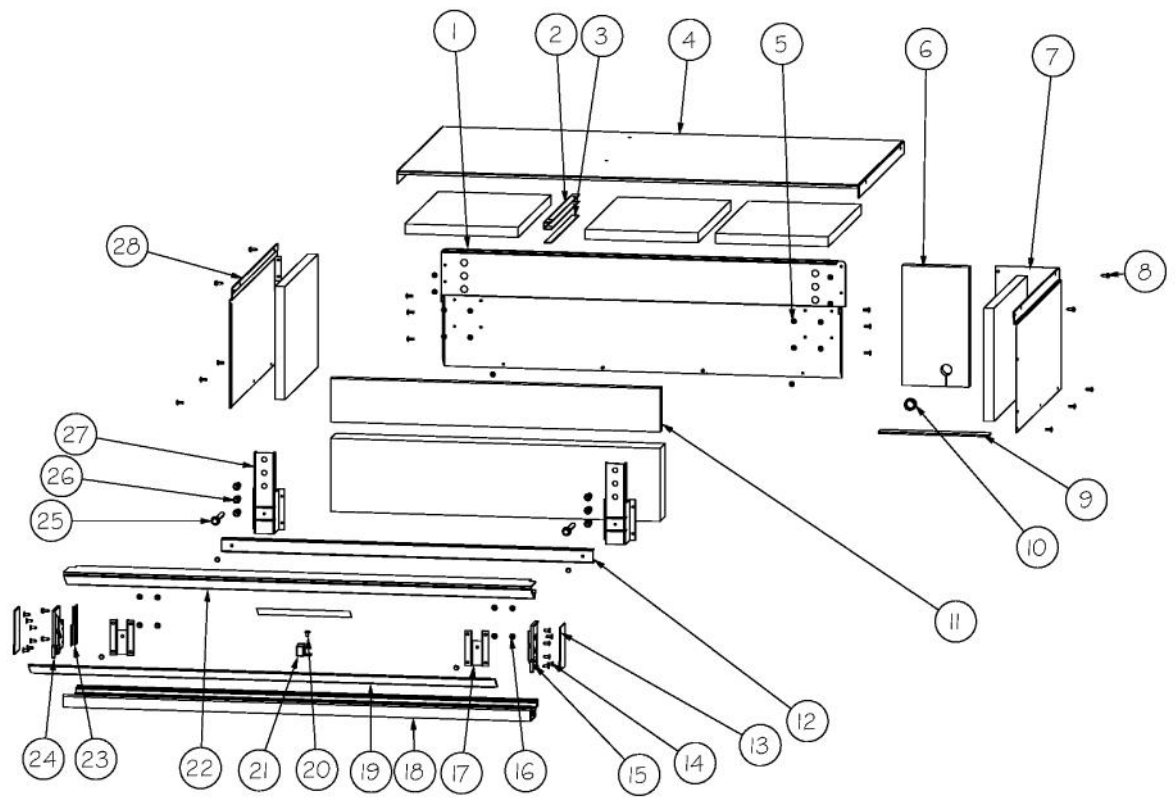
Ref #	Part Number	Qty.	Description
1	PM910455	1	EVAPORATOR AR 36 30
2	PD020194	4	SCREW-SM
3	G50914189	1	DRAIN PAN ASM UPPER AR36
4	PM910496	1	MS HEAT EXCH ASM AR 36 30
5	PD020032	8	SRW-8(A)X3/8PH.WFR HD 7/16DIAXNICL
6	PK030445	1	PAN DRAIN LOWER EVAP AR 30 36
7	12115101	1	CLAMP-TUBE V12115101
8	PK030446	1	DRAIN VERTICAL AR 30 36
9	PB920246	1	TUBE CAPILLARY ASM AR 36 30
10	M0104106	4	CLIP-CORD VM0104106
11	F20913720	1	TUBE EVAP AR 36



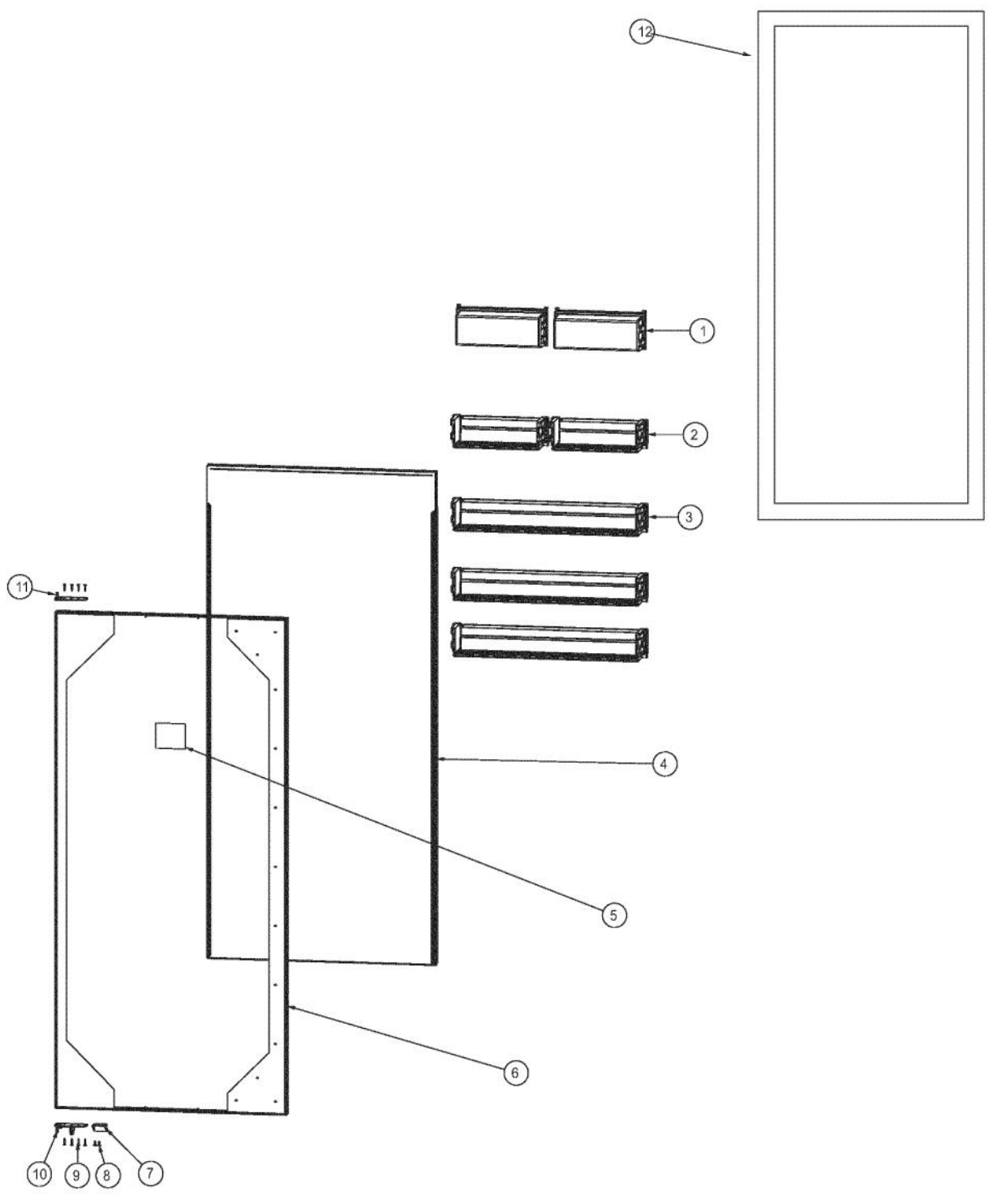
Ref #	Part Number	Qty.	Description
1	L20914100	1	COVER EVAP AR 36
2	020900-000	1	COVER, EVAP, ASM, AIR, HDLG, AR, 36
3	PD020238	4	SCR WH HEX WSHR HD SLTD NO.8-18 X 1/2
4	PD040150	4	WASHER FLAT NYLON NO.10
5	PB070288	2	1/4 X 1/2 CLOSED CELL SPONGE
6	PD020194	7	SCREW-SM
7	K20914102	2	ANGLE UPR EVAP MNT AR 30 36
8	PE950154	1	FAN EVAP HORIZ AF AR 30
9	PD020013	4	TYPE AB NO.6 X 3/8 PH PAN HD. SMS
10	B10914128	2	SPACER FAN AR 36/30
11	K20914132	1	BRKT, FAN MTG RT AR 36
12	12234001	8	GROMMET-VIBRATION
13	M0238859	4	SCREW-SHLDR
14	L20913712WH	1	COVER SUMP UPPER AR 36
15	L20913716WH	1	COVER SUMP LOWER AR 36
16	B5642901	2	RIVET-W POP
17	K10913714	1	PLATE TAP LWR EVAP CVR AR 36
18	L20913713	1	DIVIDER AIR AR 36
19	K20914133	1	BRKT, FAN MTG LT AR 36
20	M0211014	2	SCREW-SM
21	C8983701	1	THERMISTOR



Ref #	Part Number	Qty.	Description
1	PD030146	1	STAND OFF LOCK CLIP
2	F20915696	1	SERPENTINE CONDENSER DRAIN
3	PK930348	1	PAN DRAIN
4	PE070707	1	PAN HEATER
5	L20914124WH	1	TRAY PAN HEATER
6	K20911831	2	BRACKET CONDENSATE SUPPORT
7	M0104102	2	CLIP-CORD RED
8	000731-000	1	AXIAL FAN
9	PD020274	2	SCR SLTD HEX WSHR HD 8X1.250 BT
10	A4554806	2	BUSHING-SNAP VA4554806
11	M0104106	6	CLIP-CORD VM0104106
12	PM910398	1	LEVELER ASSEMBLY - R
13	PD020194	20	SCREW-SM
14	K2098044	1	BRKT GRILLE SUPPORT
15	PE050248	1	FLOAT SWITCH HORIZONTAL
16	M0253916	1	SCREW-TF
17	B20915627	1	BRACKET HORIZ FLOAT SWITCH
18	A4554817	1	BUSHING-SNAP VA4554817
19	K20915952	1	SHIELD BOTTOM DRAIN
20	PC920149	1	BAR-WC BOT HINGE LH
21	M0220417	2	SCREW-TC
22	PD940094	1	BUSHING
23	002668-000	1	SWITCH,GRILLE,MT,LH
24	PE950147	1	SWITCH SPST NC BLACK
25	PM910399	1	LEVELER MODULE L
26	K2098096	1	BRKT GRILLE SUPPORT
27	PC910015	1	SPRING EXTENSION
28	M0221523	1	SCREW - SHLDR
29	PD940107	1	ROUND SPRING SPACER
30	PD940090	1	BUSHING - WC DOOR LEVEL
31	PD940091	1	BUSHING - DOOR STOP
32	PC920144	1	PLATE - WC DOOR SHIM
33	PC920145	1	PIN - DOOR STOP
34	PC920214	1	HINGE PLATE SXS LL
35	000570-000	4	HEX SCREW
36	PC040010	3	POP RIVET



Ref #	Part Number	Qty.	Description
1	K2099933	1	MC BACK 36
2	K2099455	1	SUPPORT MC Z
3	G5099929	1	MC COVER COMPLETE ASM
4	K2099931	1	MC TOP 36
5	PC040010	28	POP RIVET
6	PB970171	1	MC INSULATION - BACK SIDE
7	K2099459	1	MC SIDE R
8	PD020194	10	SCREW-SM
9	A3189370	2	GASKET-FOAM VA3189370
10	A4554806	1	BUSHING-SNAP VA4554806
11	PB070358	1	INSULATION MC COVER
12	K20915902	1	CROSSMEMBER PSM 36
13	PM910071	2	COVER - END CAP 12119801
14	M0215318	12	SCREW-SM
15	PM910348	1	ENP CAP GRILLE R
16	M0224128	8	SCREW-SM
17	PK050004	2	BRACKET GRILLE
18	PM910419	1	GRILLE LOUVER LOWER AF AR 36 L DES FOL
18	PM910421	1	GRILLE LOUVER LOWER AF AR 36 R DES FOL
19	PM910429	1	GRILLE LOUVER MID AF AR 36 DES FOL
20	M0230028	1	SCREW-TC
21	PM910084	1	SUPPORT GRILLE 12201201
22	PM910418	1	GRILLE LOUVER UPPER AF AR 36 DES FOL
23	K2099471	1	BRACKET GRILLE SUPPORT L
24	PM910349	1	END CAP GRILLE L
25	PD020233	2	SCR LAG 5/16-9 GX 5/16X7/16 WAF IHXW 3 S ZN
26	PD040157	6	BEARING SLEEVE
27	K20915675	2	BRACKET PSM
28	K2099460	1	MC SIDE L
NI	019608-000	1	GRILLE ASM, 36 AF/AR, FOL LH
NI	G32911178	1	GRILLE ASM 36 FOL R



Ref #	Part Number	Qty.	Description
1	12097404	2	DAIRY MODULE ASSY
2	G5099298	2	DOOR BIN ASM FF 36 BM AND AR HALF
3	G5099297	3	DOOR BIN ASM FF 36 BM AND AR FULL
4	007388-000	1	DOOR FOAM ASM AR 36
5	PF931036	1	LABEL FOL DOOR BOW
6	000950-000	1	BRACKET,PNL,FULL OVERLAY
7	PD050019	1	STRIKER DOOR SWITCH
8	M0210458	2	SCREW-SM
9	PD920174	8	10-32 TORX HEAD SCREW
10	PC020273	1	PIVOT PL ASM LH LW FOL
11	PC020275	1	PIVOT PL ASM LH UP FOL
12	005447-000	1	GASKET,ASM,36,AFAR
NI	008671-000	1	DOOR ASM COMPLETE AF AR 36 FOL L