

This Owner's Manual is provided and hosted by [Appliance Factory Parts](#).

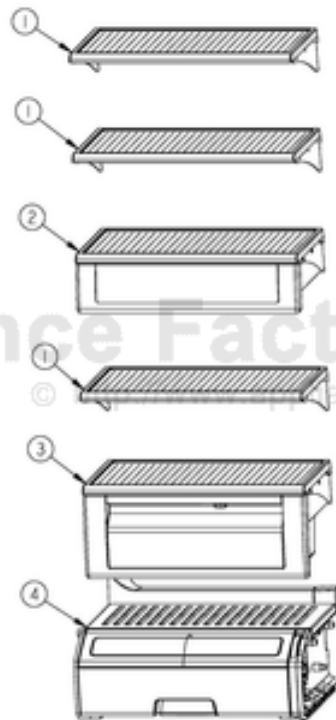


# VIKING

## DFSB423JMAG-RSERIES

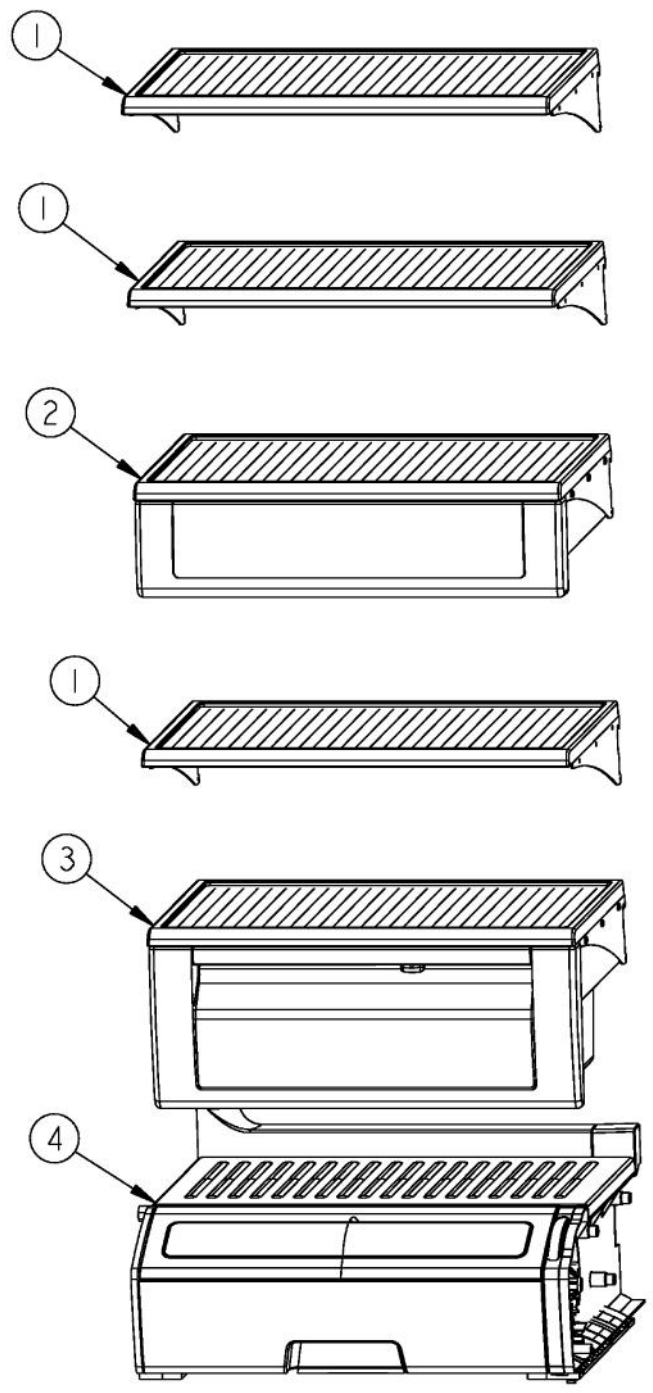
### Owner's Manual

[Shop genuine replacement parts for VIKING](#)  
[DFSB423JMAG-RSERIES](#)

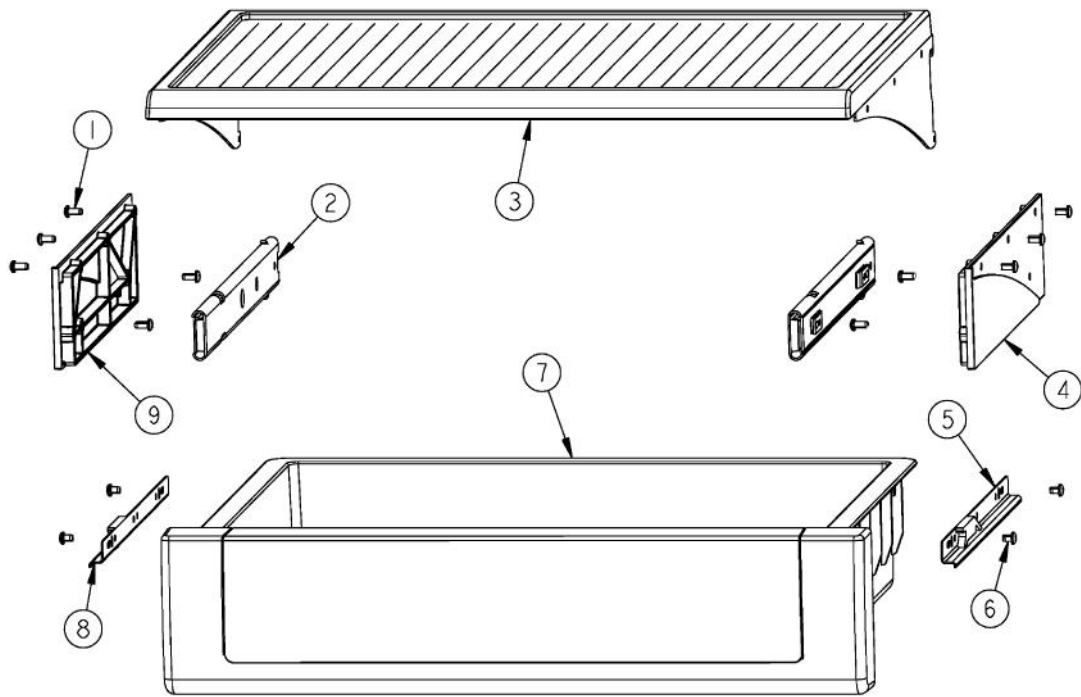


[Find Your VIKING Refrigerator Parts - Select From 341 Models](#)

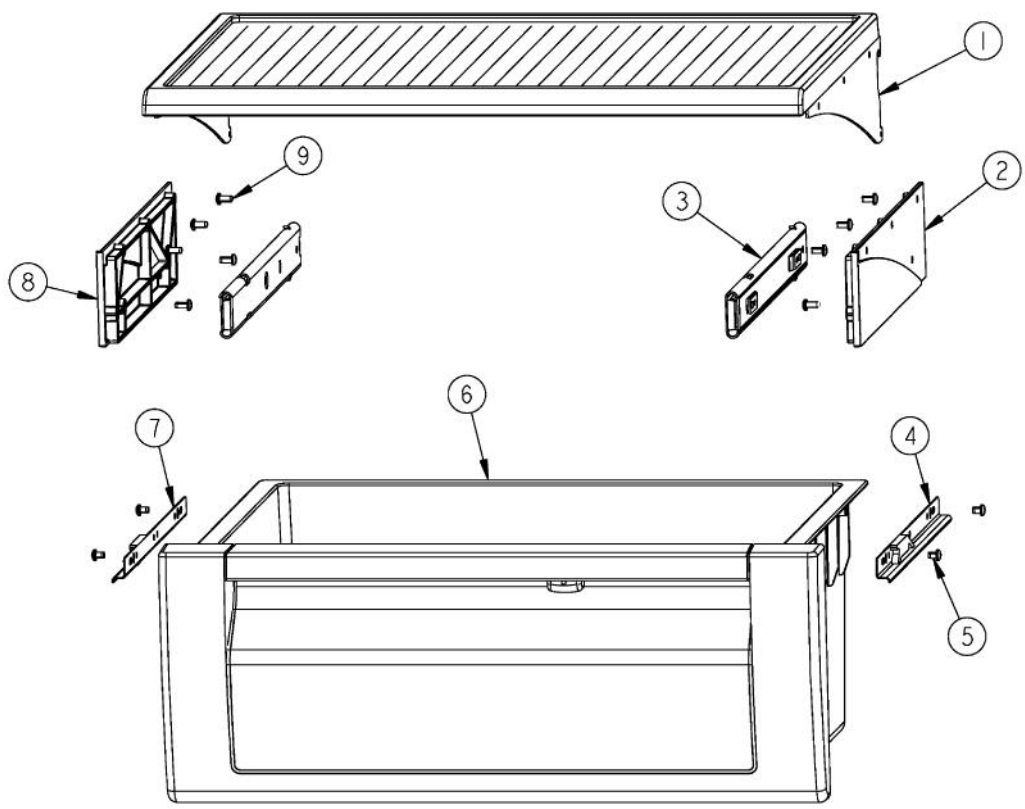
----- Manual continues below -----



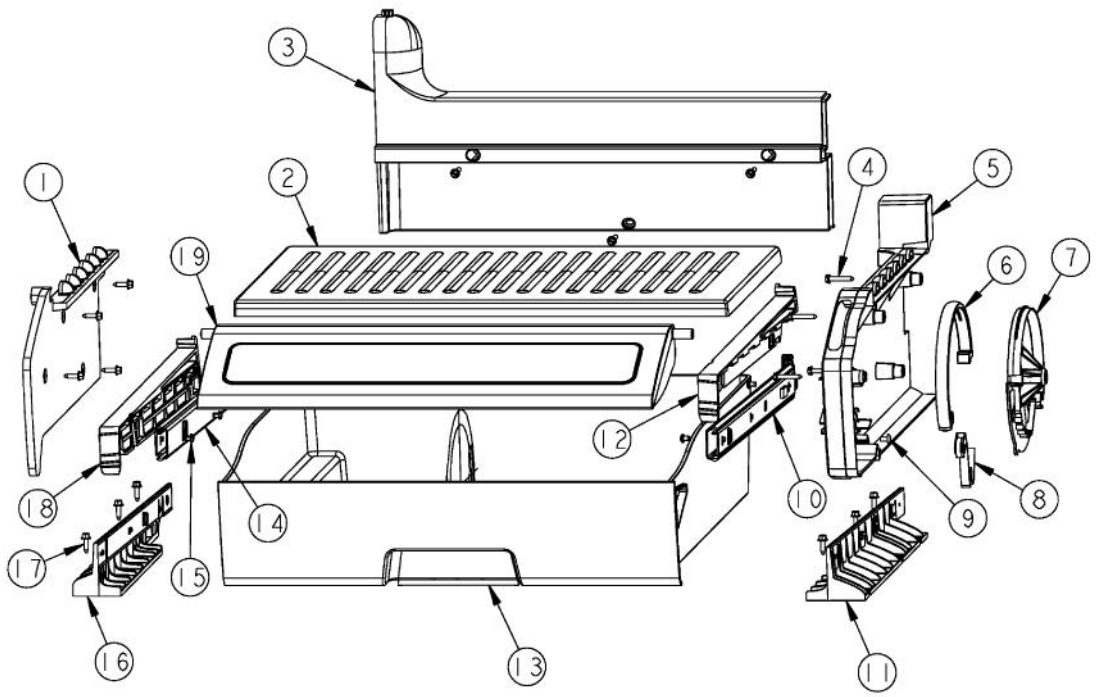
Ref #	Part Number	Qty.	Description
1	PM910350		SHELF ASM GLASS SXS 42 FF
2	DELI DRAWER		SEE PAGE 002 FOR BREAKDOWN
3	PRODUCE DRAWER		FOR BREAKDOWN SEE PAGE 002
4	Conv.MeatSaverDra.		SEE PAGE 004 FOR BREAKDOWN



Ref #	Part Number	Qty.	Description
1	PD920161		SCR 8-16 PLASTITE PNP 3/8 S
2	PM910388		SLIDE DRAWER (R & L)
3	PM910350		SHELF ASM GLASS SXS 42 FF
4	PK930290		SUPPORT SLIDE R
5	PM910343		RAIL DRAWER R
6	PD920162		SCR 8-16 PLASTITE PNP 1/4 S
7	PK930121		DRAWER DELI ASM SXS 42
8	PM910342		RAIL DRAWER L
9	PK930291		SUPPORT SLIDE L

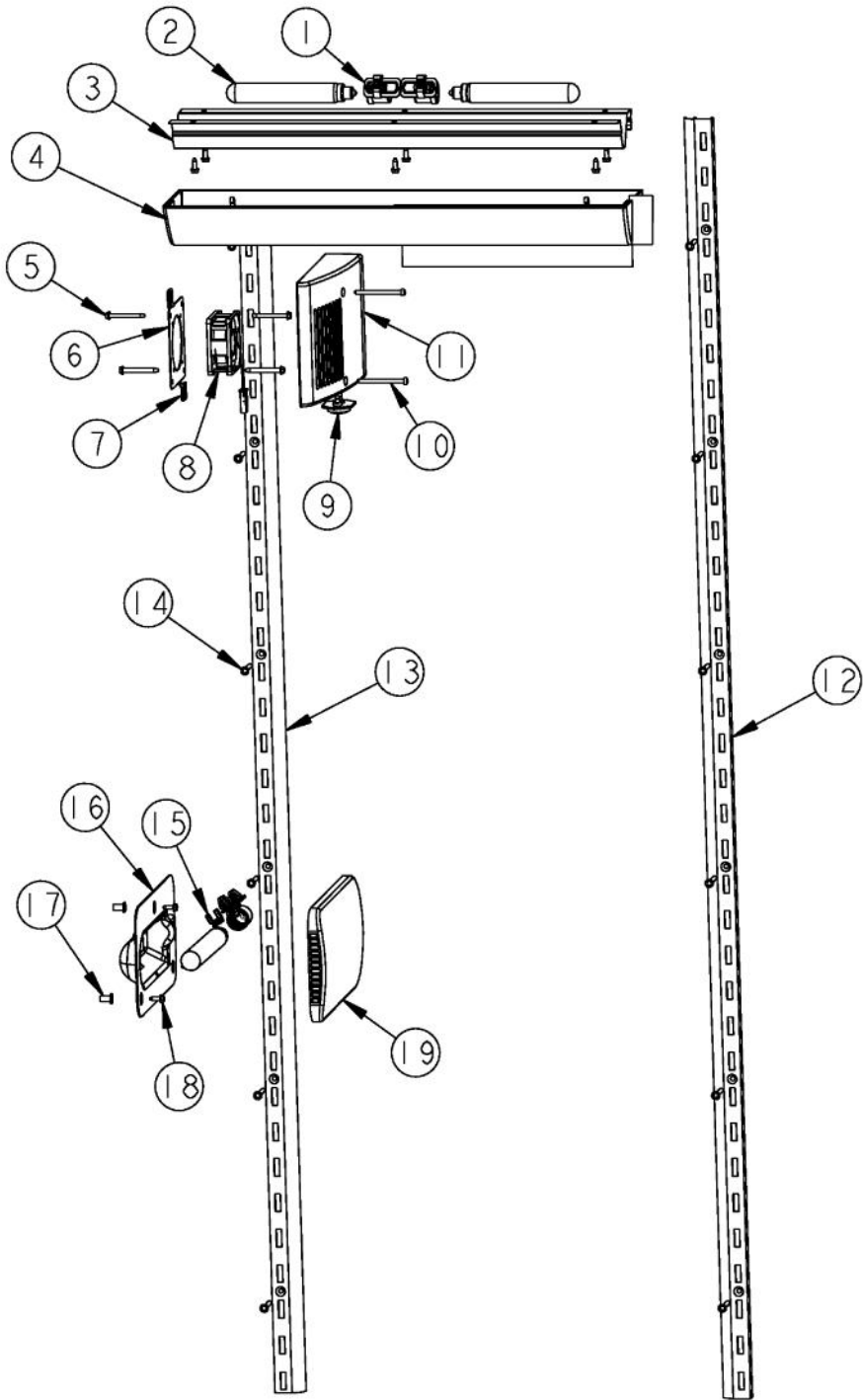


Ref #	Part Number	Qty.	Description
1	PM910350		SHELF ASM GLASS SXS 42 FF
2	PK930290		SUPPORT SLIDE R
3	PM910388		SLIDE DRAWER (R & L)
4	PM910343		RAIL DRAWER R
5	PD920162		SCR 8-16 PLASTITE PNP 1/4 S
6	009927-000		PRODUCE 42
7	PM910342		RAIL DRAWER L
8	PK930291		SUPPORT SLIDE L
9	PD920161		SCR 8-16 PLASTITE PNP 3/8 S

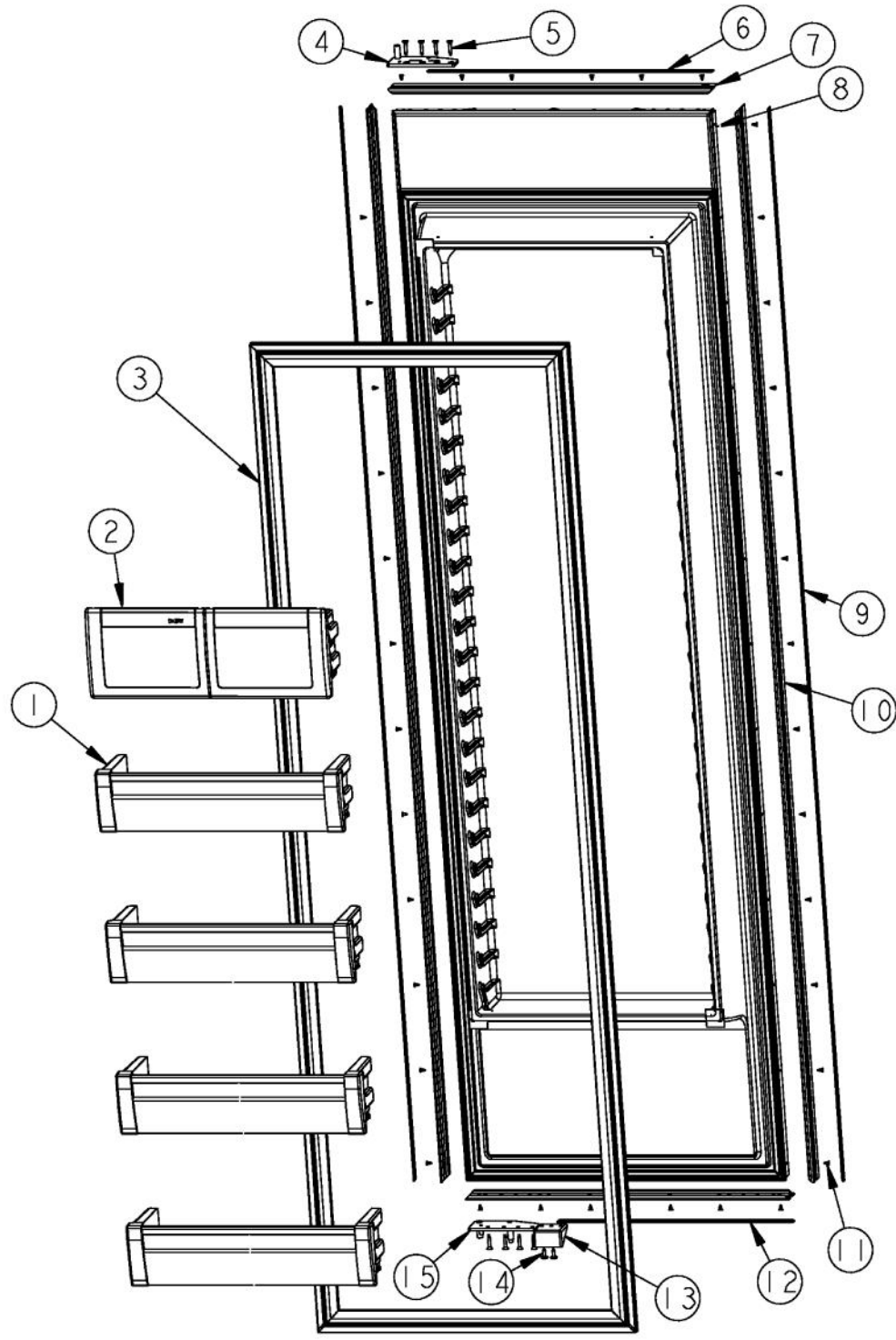




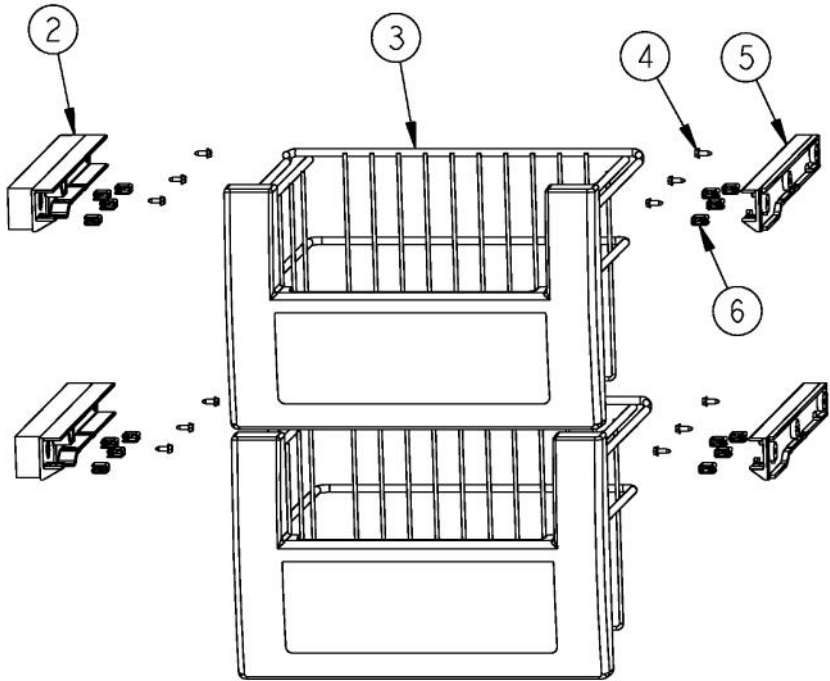
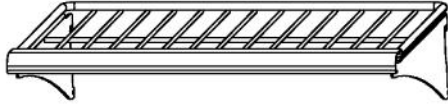
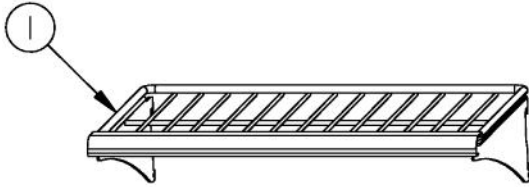
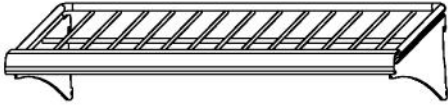
Ref #	Part Number	Qty.	Description
1	PK930170		DUCT MEAT SAVER SXS 42 L
2	PK930120		SHELF MEAT SAVER SXS 42
3	PK930171		DUCT MEAT SAVER SXS 42 REAR
4	M0211021		SCREW-SM
5	PK930169		DUCT MEAT SAVER SXS 42/48 R
6	PK930172		COVER CONTROL MEAT SAVER
7	PK930168		DIAL CONTROL MEAT SAVER
8	PM910334		ROLLER TENSION
9	M0224128		SCREW-SM
10	PM910287		SLIDE MEAT SAVER R
11	PK930173		SUPPORT SLIDE MEAT SAVER SXS 42/48 R
12	PK930175		SUPPORT DRAWER MEAT SAVER SXS 42/48 R
13	PK930114		DRAWER MEAT SAVER SXS 42
14	PM910288		SLIDE MEAT SAVER L
15	PD920162		SCR 8-16 PLASTITE PNP 1/4 S
16	PK930174		SUPPORT SLIDE MEAT SAVER SXS 42/48 L
17	PD020195		SCR 8-18 X 5/8
18	PK930176		SUPPORT DRAWER MEAT SAVER 42/48 L
19	PK930119		DELI LID



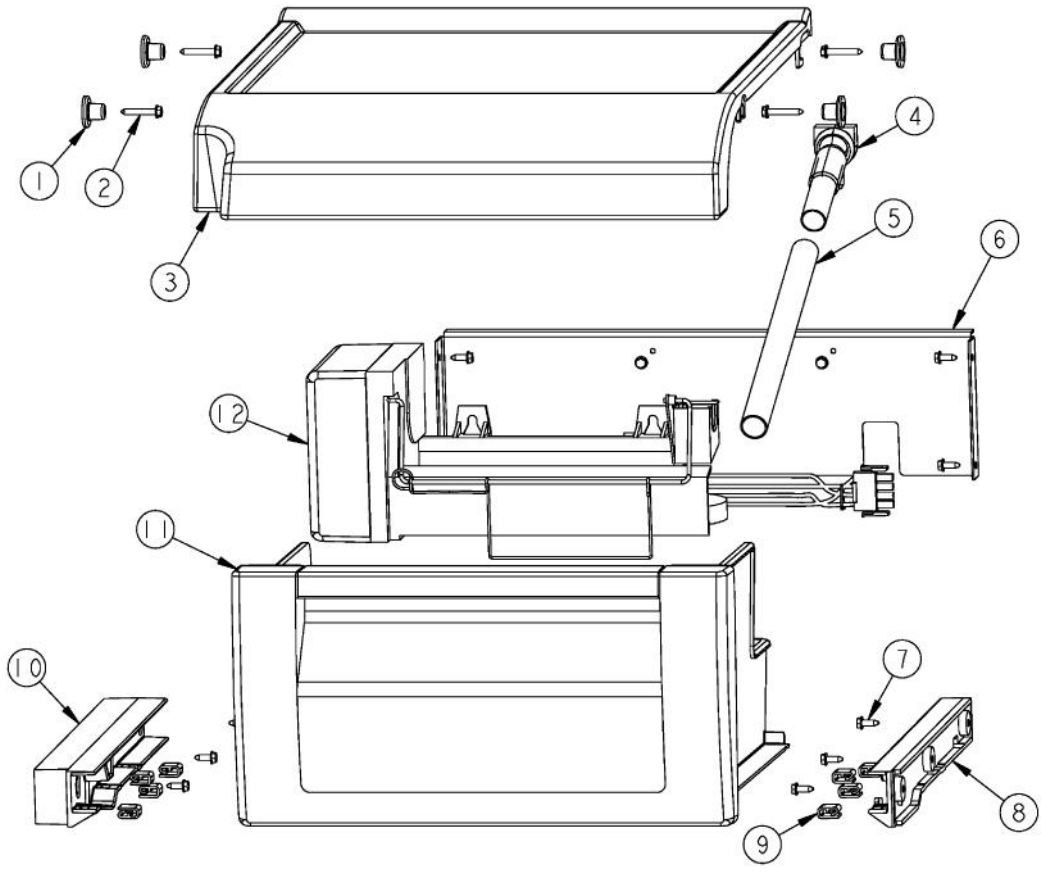
Ref #	Part Number	Qty.	Description
1	PE950125		LIGHT SOCKET
2	A3079001		LAMP - 40W
3	L2099474		BRACKET LIGHT SXS 42 FF
4	PK930115		COVER LIGHT ASM SXS 42 FF
5	PD020188		SCR 8-18 BT HXWS 1 1/2
6	K2096475		PLATE-FAN MNT 12404701
7	M0288120		NUT-SPEED, VM0288120
8	000732-000		FRESH FOOD FAN - 1.2 W
9	C8983701		THERMISTOR
10	M0221913		SCREW-SM
11	PK930085		COVER FAN SXS 48 FF
12	PK920024		LADDER FF R
13	PK020080		LADDER FF L SXS 42/48
14	M0238535		SCREW-SM
15	B5733302		CLIP-GROUND
16	10270203		HOUSING-LIGHT V10270203
17	M0580007		GROMMET-SCREW
18	PD020194		SCREW-SM
19	PK930346		COVER LIGHT
NI	PM910332		ACCESORY ASSY



Ref #	Part Number	Qty.	Description
1	G5098675		DOORBIN ASM SXS 42 FF
2	PK930123		DAIRY MODULE ASM SXS 42
3	PB070329	1	DOOR GASKET (BEFORE 06-10-08)
3	005451-000	1	GASKET,ASM,42,SXS,FF VIDNO. 602711807-17 (ON OR AFTER 06-10-08)
4	PC020274		PIVOT PL ASM RH UP FOL
5	PD920174		10-32 TORX HEAD SCREW
6	PM910344		INSERT FRAME DOOR TOP SXS 42 FF FO
7	PM010612		TRIM DOOR 42 FF TOP BOT FOL
8	G32015037		DOOR FOAM ASSEMBLY (INCLUDES GASKET)
9	PM910097		INSERT SXS FF/FZ SIDE 12063706
10	PM910102		SIDE TRIM
11	M0215704		SCREW-SM
12	PM910312		INSERT FRAME DOOR BTM SXS 42 FF FO
13	PD050019		STRIKER DOOR SWITCH
14	M0210458		SCREW-SM
15	PC020272		PIVOT PL ASM RH LW FOL
NI	G50911822		42 DISP. Z BRACKET KIT

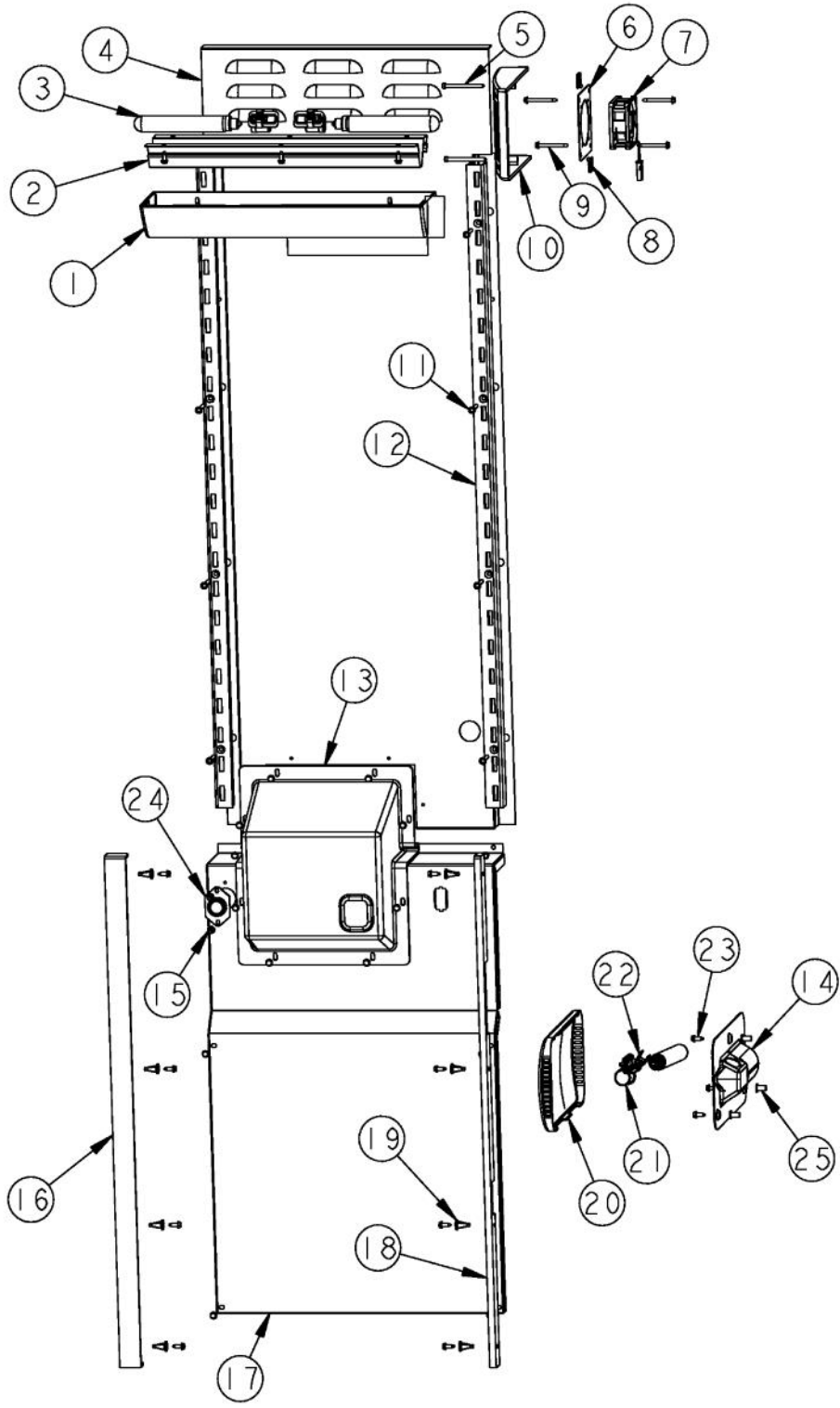


Ref #	Part Number	Qty.	Description
1	PM910189		SHELF WIRE FZ
2	PK930075		GLIDE SXS 48 FZ L
3	PM910190		BASKET ASM FZ
4	PD020194		SCREW-SM
5	PK930074		GLIDE SXS 48 FZ R
6	12064701		PAD-GLIDE V12064701

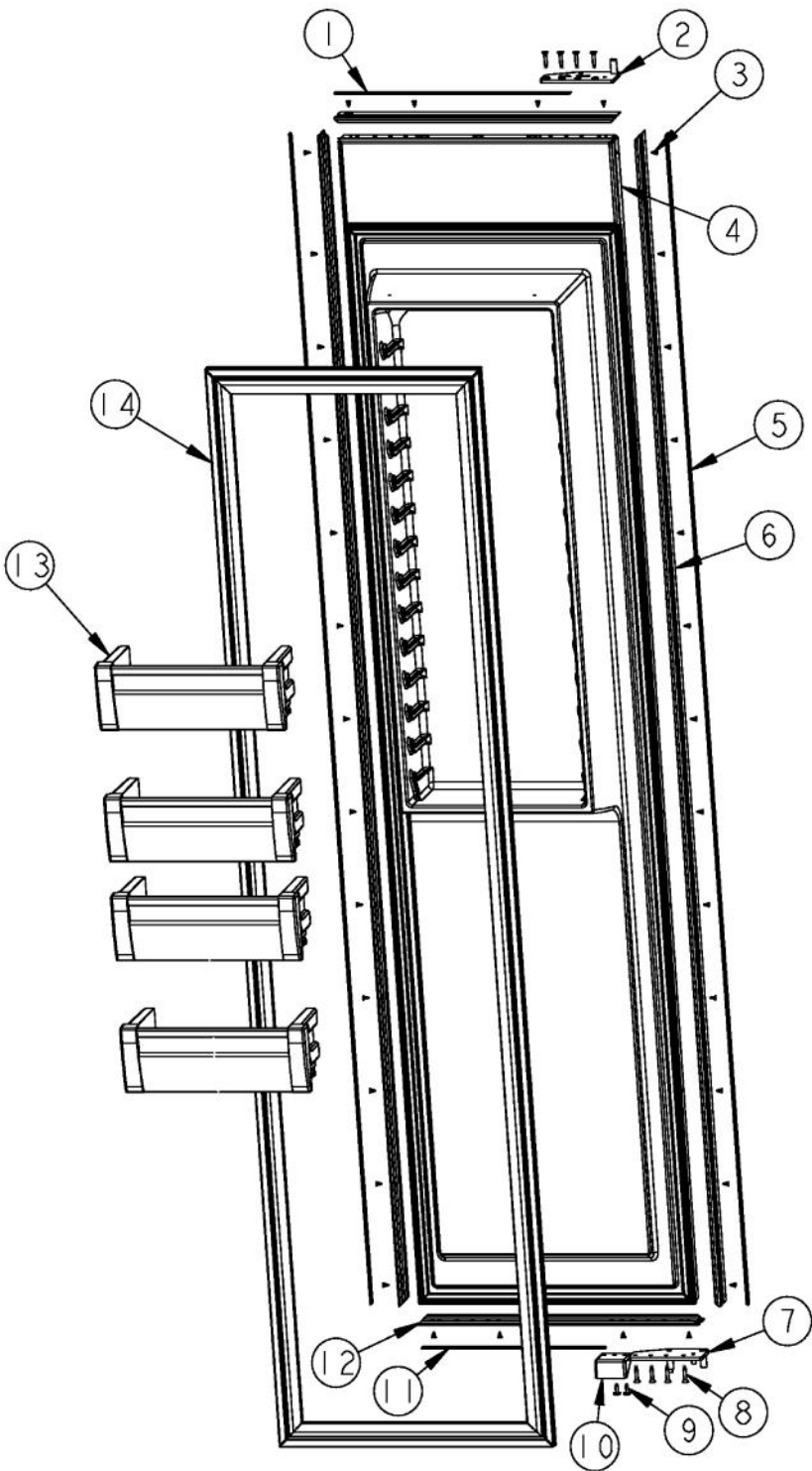




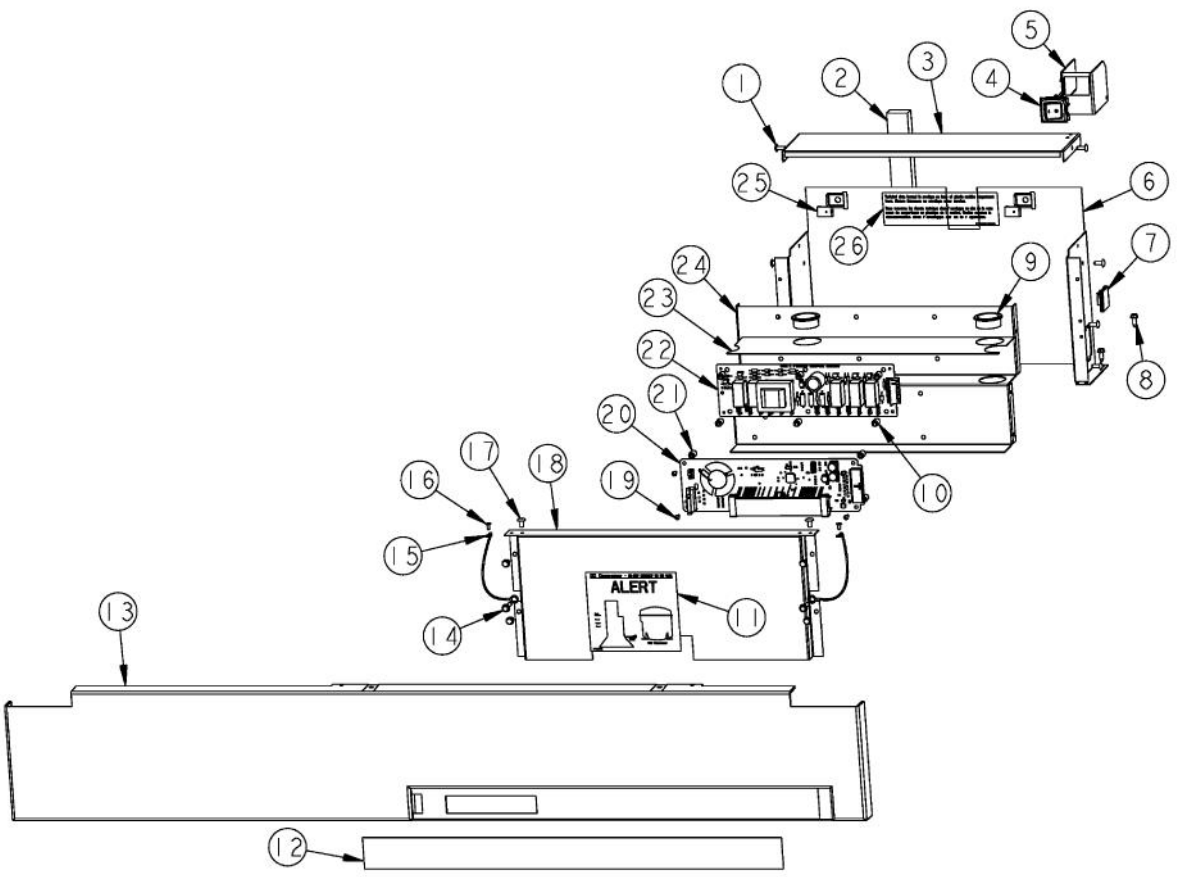
Ref #	Part Number	Qty.	Description
1	12258501		SUPPORT-SHELF
2	M0211021		SCREW-SM
3	PK930079		SHELF COVER SXS 48 FZ
4	G5096419		FILL TUBE ASSY 10942511
5	A3127415		EXT-FILL TUBE
6	C9097183WH		SUPPORT IM ND SXS 48 WH
7	PD020194		SCREW-SM
8	PK930074		GLIDE SXS 48 FZ R
9	12064701		PAD-GLIDE V12064701
10	PK930075		GLIDE SXS 48 FZ L
11	PK930076		ICE PAN ASM SXS 48
12	G50911851		ICE MAKER ASM, SXS ND, AF



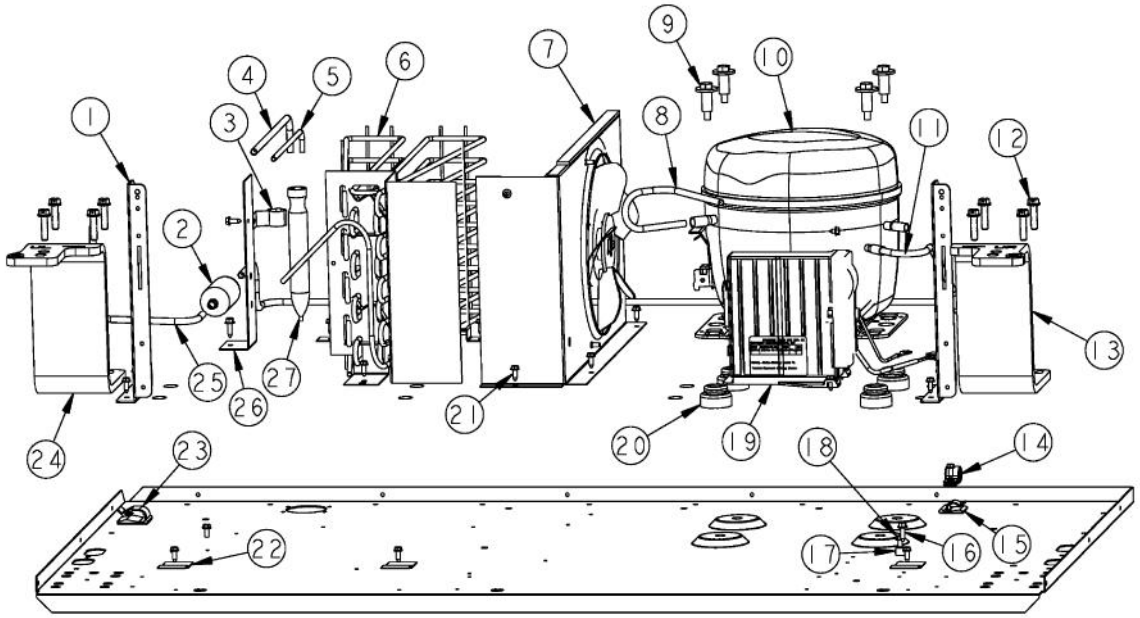
Ref #	Part Number	Qty.	Description
1	PK930116		COVER LIGHT ASM SXS 42 FZ
2	L2099475		BRACKET LIGHT SXS FZ
3	A3079001		LAMP - 40W
4	L2097181		COVER EVAP UPPER SXS 48
5	M0221913		SCREW-SM
6	K2096475		PLATE-FAN MNT 12404701
7	000732-000		FRESH FOOD FAN - 1.2 W
8	M0288120		NUT-SPEED, VM0288120
9	PD020188		SCR 8-18 BT HXWS 1 1/2
10	PK930086		COVER FAN SXS 48 FZ
11	M0238535		SCREW-SM
12	12231701		LADDER-FZ L/R SIDE
13	PK930150		COVER CTR EVAP
14	10270203		HOUSING-LIGHT V10270203
15	M0211014		SCREW-SM
16	PK930073		CLOSEOUT SIDE SXS 48 FZ L
17	L2097182		COVER EVAP LOWER SXS 48
18	12304301		CLOSEOUT-FZ SIDE NO.
19	M0581001		GROMMET-SCREW
20	PK930346		COVER LIGHT
21	PE950125		LIGHT SOCKET
22	B5733302		CLIP-GROUND
23	PD020194		SCREW-SM
24	C8983701		THERMISTOR
25	M0580007		GROMMET-SCREW



Ref #	Part Number	Qty.	Description
1	PM910345		INSERT FRAME DOOR TOP SXS 42 FZ FO
2	PC020275		PIVOT PL ASM LH UP FOL
3	M0215704		SCREW-SM
4	G32915035		DOOR ASM 42 FZ (INCLUDES GASKET)
5	PM910097		INSERT SXS FF/FZ SIDE 12063706
6	PM910102		SIDE TRIM
7	PC020273		PIVOT PL ASM LH LW FOL
8	PD920174		10-32 TORX HEAD SCREW
9	M0210458		SCREW-SM
10	PD050019		STRIKER DOOR SWITCH
11	PM910313		INSERT FRAME DOOR BTM SXS 42 FZ FO
12	PM010613		TRIM - TOP / BOTTOM
13	G5098676		DOORBIN ASM SXS 42 & 48 FZ
14	PB070327		DOOR GASKET (BEFORE 06-10-08)
14	005452-000		GASKET,ASM,42,SXS,FZ VIDNO. 602711817-17 (ON OR AFTER 06-10-08)
NI	G50911822		42 DISP. Z BRACKET KIT

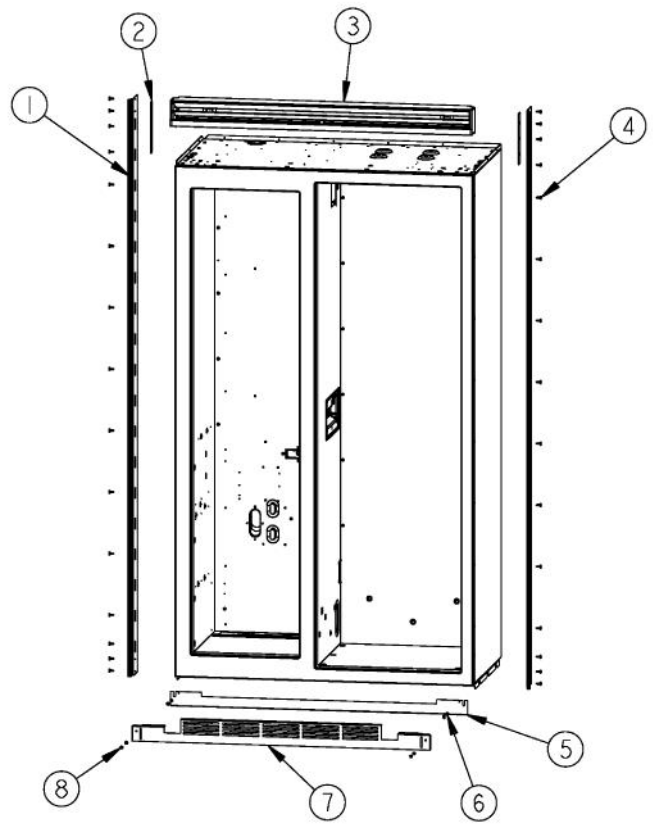


Ref #	Part Number	Qty.	Description
1	PC040010		POP RIVET
2	A3030361		GASKET, RED
3	K2091500		CONTROL BOX TOP
4	PE950149		SWITCH POWER
5	K2098654		BRACKET SWITCH POWER
6	K2099402		CONTROL BOX
7	M0104106		CLIP-CORD VM0104106
8	PD020194		SCREW-SM
9	A4554817		BUSHING-SNAP VA4554817
10	M0585504		SUPPORT
11	PF930672		LABEL DC COMPRESSOR
12	PE950175		OVERLAY SWITCH SXS 42 NON - DISP
13	PK930230		CONTROL PANEL SXS 42
14	M0238846		SCREW-SHLDR
15	12064001		SUPP-CONT PANEL
16	PC040010		POP RIVET
17	M0224128		SCREW-SM
18	K20910061		CONTROL BOX FRONT
19	PD020013		TYPE AB NO.6 X 3/8 PH PAN HD. SMS
20	PE070728		BOARD LOW VOLTAGE
21	M0585506		SUPPORT
22	PE970463		POWER CONTROL BOARD
23	PM910325		FILM PROTECTIVE
24	K20910060		BRACKET - PC
25	M0288120		NUT-SPEED, VM0288120
26	PF930487		TECH LITERATURE LABEL - 2

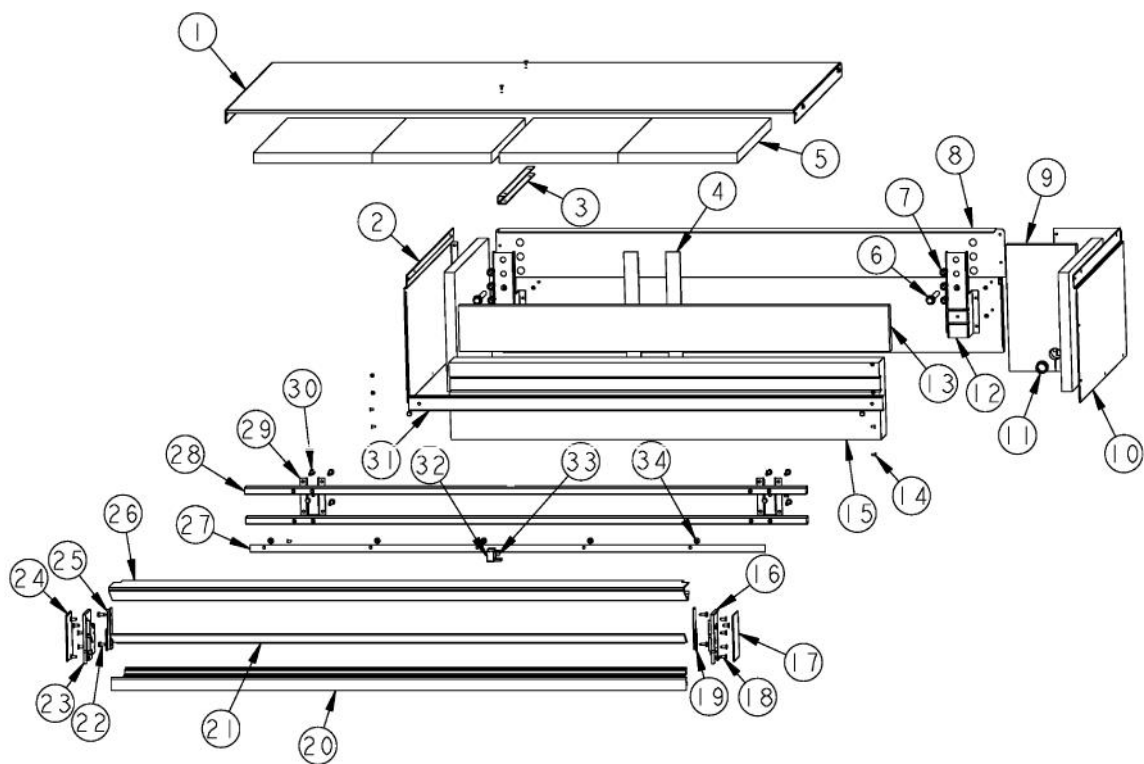




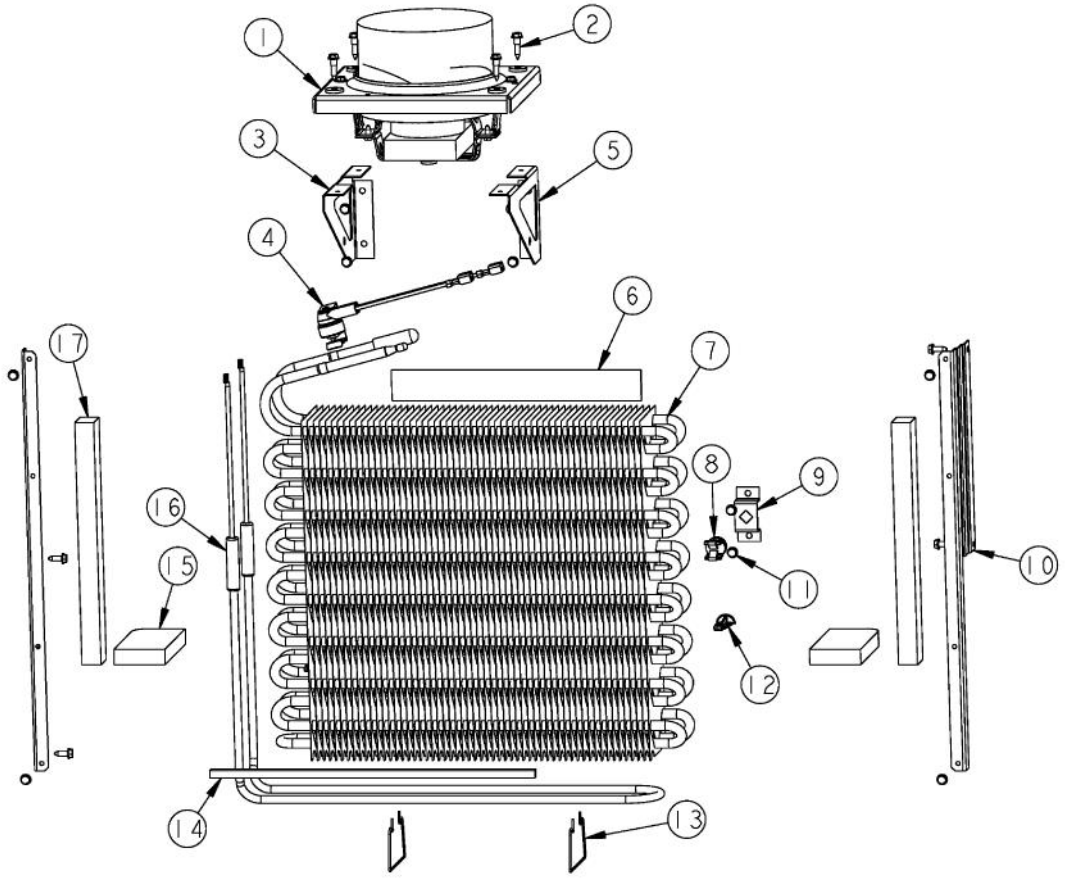
Ref #	Part Number	Qty.	Description
1	K20912569		BRACKET GRILLE SUPPORT
2	PB920201		ACCUMULATOR
3	10547001		CLIP-DRIER V10547001
4	F2097740		TUBE PROCESS
5	F2096504		TUBE-DRIER EXT
6	PB920171		CONDENSER ASM
7	G5096494		COND. FAN ASSY
8	F2096507		TUBE-PROCESS GRN
9	M0221523		SCREW - SHLDR
10	G5097976		COMPRESSOR ASSEMBLY (363 AND 483)
11	F2099443		TUBE DISCHARGE FORMED PRE ACCUM
12	000570-000		HEX SCREW
13	PC920203		HINGE ASM UR
14	PD030118		SCREW - SHLDR
15	M0104106		CLIP-CORD VM0104106
16	PD020195		SCR 8-18 X 5/8
17	M0103904		CLAMP-SPEED
18	PD020010		10 X 3/8 GREEN GROUNDING SCREW
19	PE070849		INVERTER
20	10835901		GROMMET RUBBER V10835901
21	PD020194		SCREW-SM
22	K2096943		PANEL BRACKET
23	M0104102		CLIP-CORD RED
24	PC920204		HINGE ASM UL
25	F2099444		TUBE DISCHARGE FORMED POST ACCUM
26	K2099454		BRACKET DRIER
27	10743201		DRIER, HI SIDE



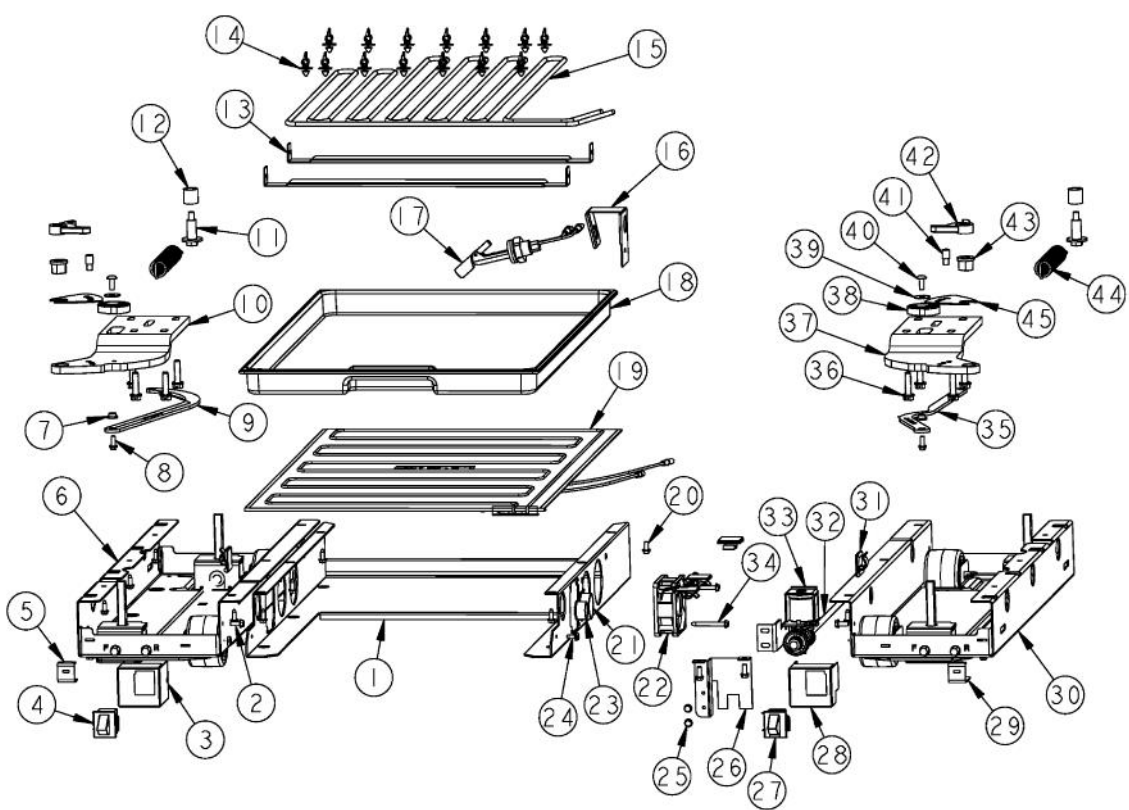
Ref #	Part Number	Qty.	Description
1	PK920066		SIDE TRIM
2	12135402		SHIM-CAB TRIM
3	G32912542		GRILLE ASM SXS 42 FOL FOR BREAKDOWN SEE PAGE 016
4	M0210458		SCREW-SM
5	000207-000		KICKPLATE, LWR
6	40370P01		NYLON FLAT WASHER V40370P01
7	C9097789BK		GRILLE TOE VENTED BK
8	M0210443		SCREW-E SM



Ref #	Part Number	Qty.	Description
1	K2099458		MC TOP SXS 42
2	K2099460		MC SIDE L
3	K2099455		SUPPORT MC Z
4	A3189370		GASKET-FOAM VA3189370
5	PB070355		INSULATION MC COVER
6	PD020233		SCR LAG 5/16-9 GX 5/16X7/16 WAF IHXW 3 S ZN
7	PD040157		BEARING SLEEVE
8	K2099461		MC BACK 42
9	PB970171		MC INSULATION - BACK SIDE
10	K2099459		MC SIDE R
11	A4554806		BUSHING-SNAP VA4554806
12	K20915675		BRACKET PSM
13	PB070360		INSULATION MC COVER
14	PC040010		POP RIVET
15	PB070361		INSULATION MC COVER
16	PM910348		ENP CAP GRILLE R
17	PM910072		COVER - END CAP 12119802
18	M0215318		SCREW-SM
19	K2099470		BRACKET GRILLE SUPPORT R
20	PM910306		GRILLE LOWER SXS 42 DES
21	PM910305		GRILLE CENTER SXS 42 DES
22	PD020194		SCREW-SM
23	PM910349		END CAP GRILLE L
24	PM910071		COVER - END CAP 12119801
25	K2099471		BRACKET GRILLE SUPPORT L
26	PM910304		GRILLE UPPER SXS 42 DES
27	PM910309		GRILLR EXTENSION SXS 42 FO
28	PM910506		GRILLE SPACER 42 FOL
29	PK050004		BRACKET GRILLE
30	M0213147		SCREW-SM
31	K20915903		CROSSMEMBER PSM 42
32	PM910084		SUPPORT GRILLE 12201201
33	M0230028		SCREW-TC
34	M0224128		SCREW-SM

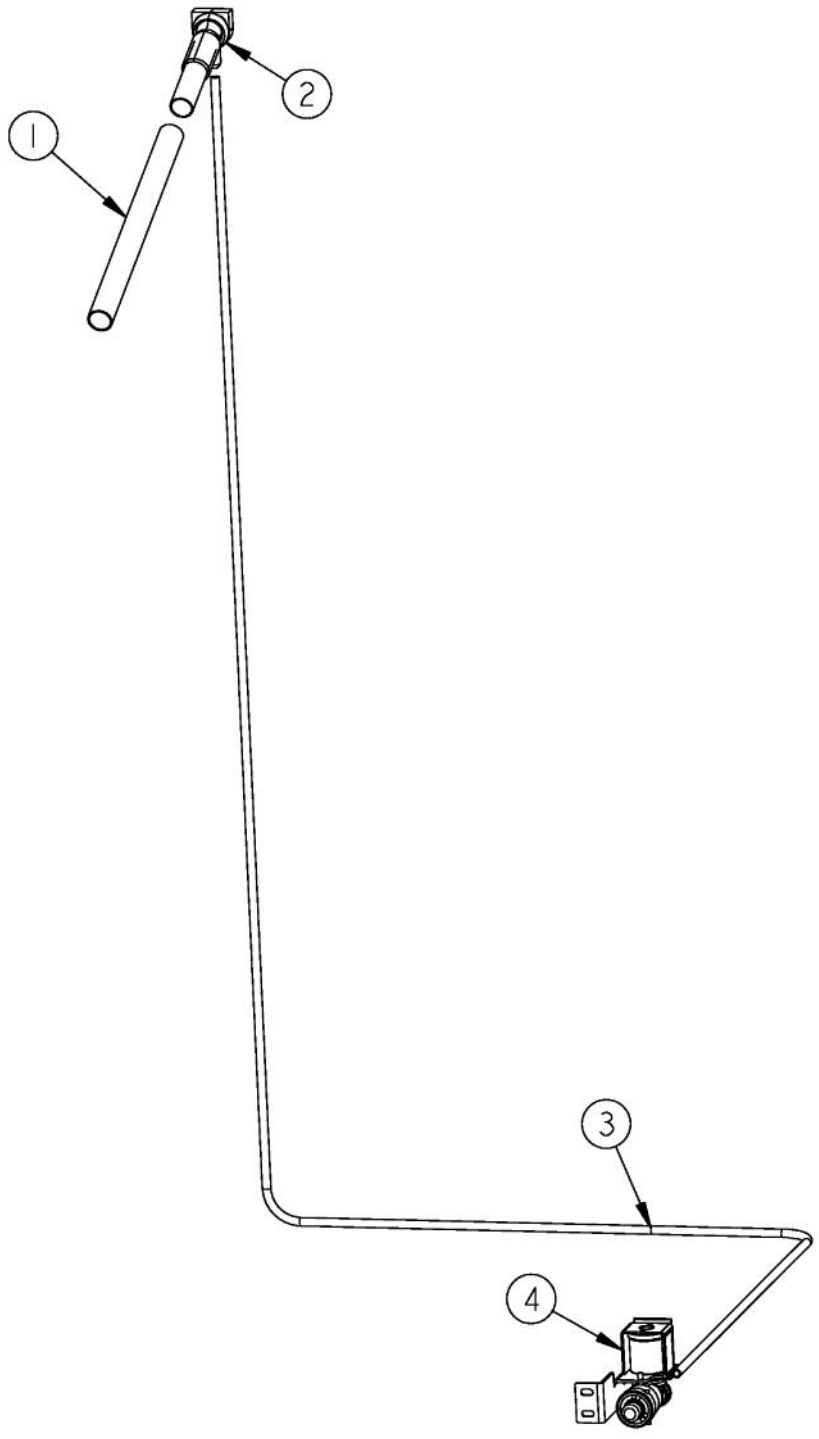


Ref #	Part Number	Qty.	Description
1	G5098660		FAN EVAP ASM
2	M0238859		SCREW-SHLDR
3	K2096458		BRKT-L-EVAP-FAN 12223102
4	PB910259		THERMOSTAT DEFROST TERMINATOR
5	K2096457		BRKT-R-EVAP FAN 12223101
6	A3189370		GASKET-FOAM VA3189370
7	PM910206		EVAPORATOR SXS 48
8	10623003		CLIP-EVAP
9	K2096456		BRKT-EVAP CLIP 12215101
10	K2096461		BRKT-EVAP COVER 12234801
11	PD020194		SCREW-SM
12	10527401		CLIP-EVAP
13	10428101		CLIP-EVAP HTR V10428101
14	A3030303		GASKET
15	10629001		BLOCK-R AIR COIL RED
16	PJ910031		HEATER EVAP SXS
17	A3030361		GASKET, RED

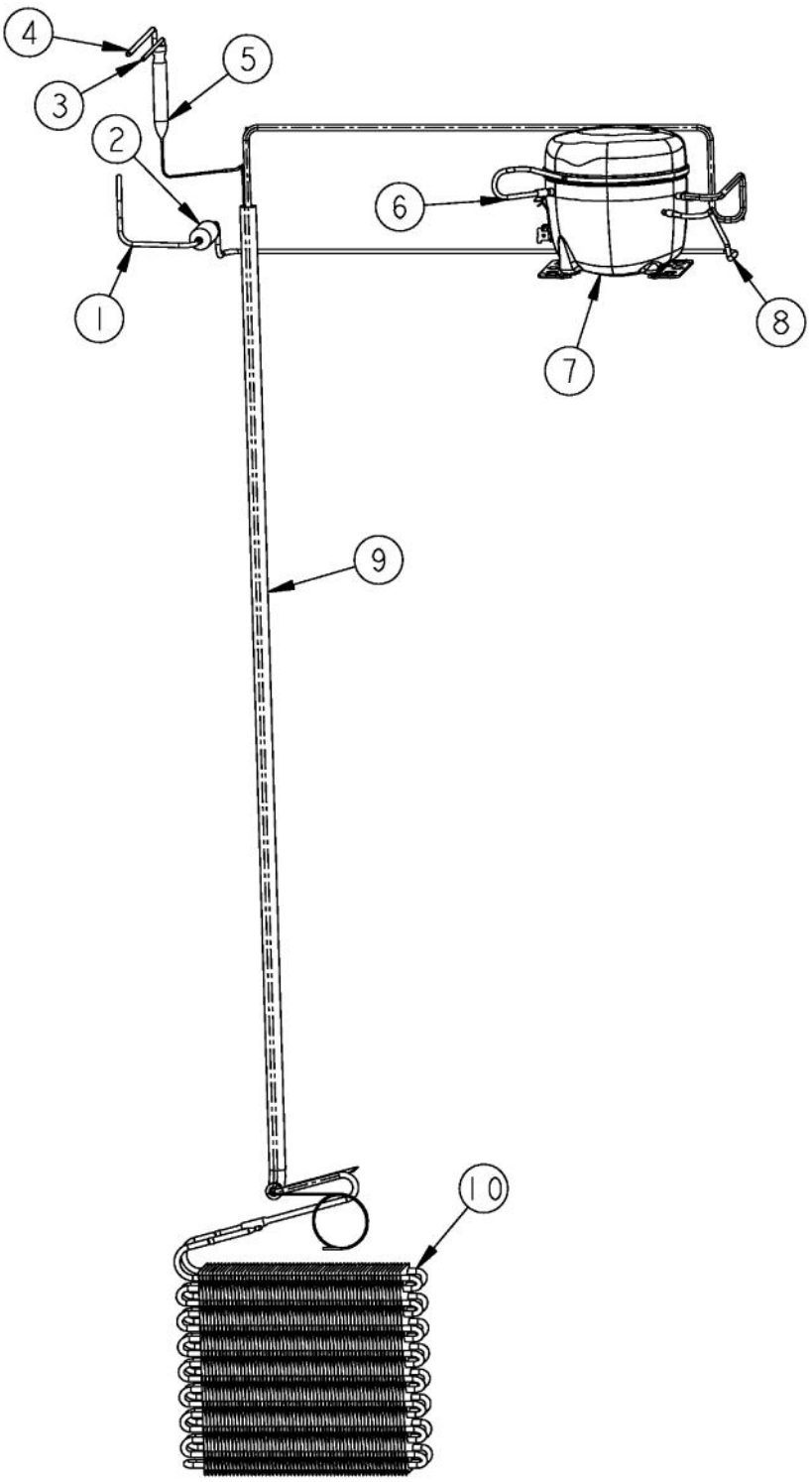




Ref #	Part Number	Qty.	Description
1	K20915952		SHIELD BOTTOM DRAIN
2	M0220417		SCREW-TC
3	002668-000		SWITCH,GRILLE,MT,LH
4	PE950146		SWITCH SPDT BLACK
5	K2098096		BRKT GRILLE SUPPORT
6	PM910399		LEVELER MODULE L
7	PD940094		BUSHING
8	M0220417		SCREW-TC
9	PC920149		BAR-WC BOT HINGE LH
10	PC020289		HINGE PLATE LL
11	M0221523		SCREW - SHLDR
12	PD940107		ROUND SPRING SPACER
13	K20911831		BRACKET CONDENSATE SUPPORT
14	PD030146		STAND OFF LOCK CLIP
15	F20915693		SERPENTINE CONDENSER DRAIN ALL SXS'S
16	B20915627		BRACKET HORIZ FLOAT SWITCH
17	PE050248		FLOAT SWITCH HORIZONTAL
18	PK930348		PAN DRAIN
19	G50914125		TRAY PAN HEATER
20	PD020010		10 X 3/8 GREEN GROUNDING SCREW
21	A4554817		BUSHING-SNAP VA4554817
22	000731-000		AXIAL FAN
23	A4554806		BUSHING-SNAP VA4554806
24	M0253916		SCREW-TF
25	PD020194		SCREW-SM
26	K20913788		BRKT VALVE H2O SINGLE
27	PE950147		SWITCH SPST NC BLACK
28	002667-000		SWITCH,GRILLE,MT,RH
29	K2098044		BRKT GRILLE SUPPORT
30	PM910398		LEVELER ASSEMBLY - R
31	M0104106		CLIP-CORD VM0104106
32	PB020304		PLASTIC TUBING-IM WATERLINE NON DISP (SXS & AF)
33	PA970012		SINGLE WATER VALVE
34	PD020188		SCR 8-18 BT HXWS 1 1/2
35	PC920166		BAR-WC BOT HINGE RH
36	000570-000		HEX SCREW
37	PC920215		HINGE PLATE SXS LR
38	PM010602		CAM DOOR ADJUSTMENT
39	000586-000		WSHR FENDER .219X.688 X.030 BO
40	PD020234		SCREW THP 10-32 X .500 SS BO
41	PC930145		DOOR STOP PIN
42	PD940091		BUSHING - DOOR STOP
43	PD940090		BUSHING - WC DOOR LEVEL
44	PC910015		SPRING EXTENSION
45	PC920144		PLATE - WC DOOR SHIM



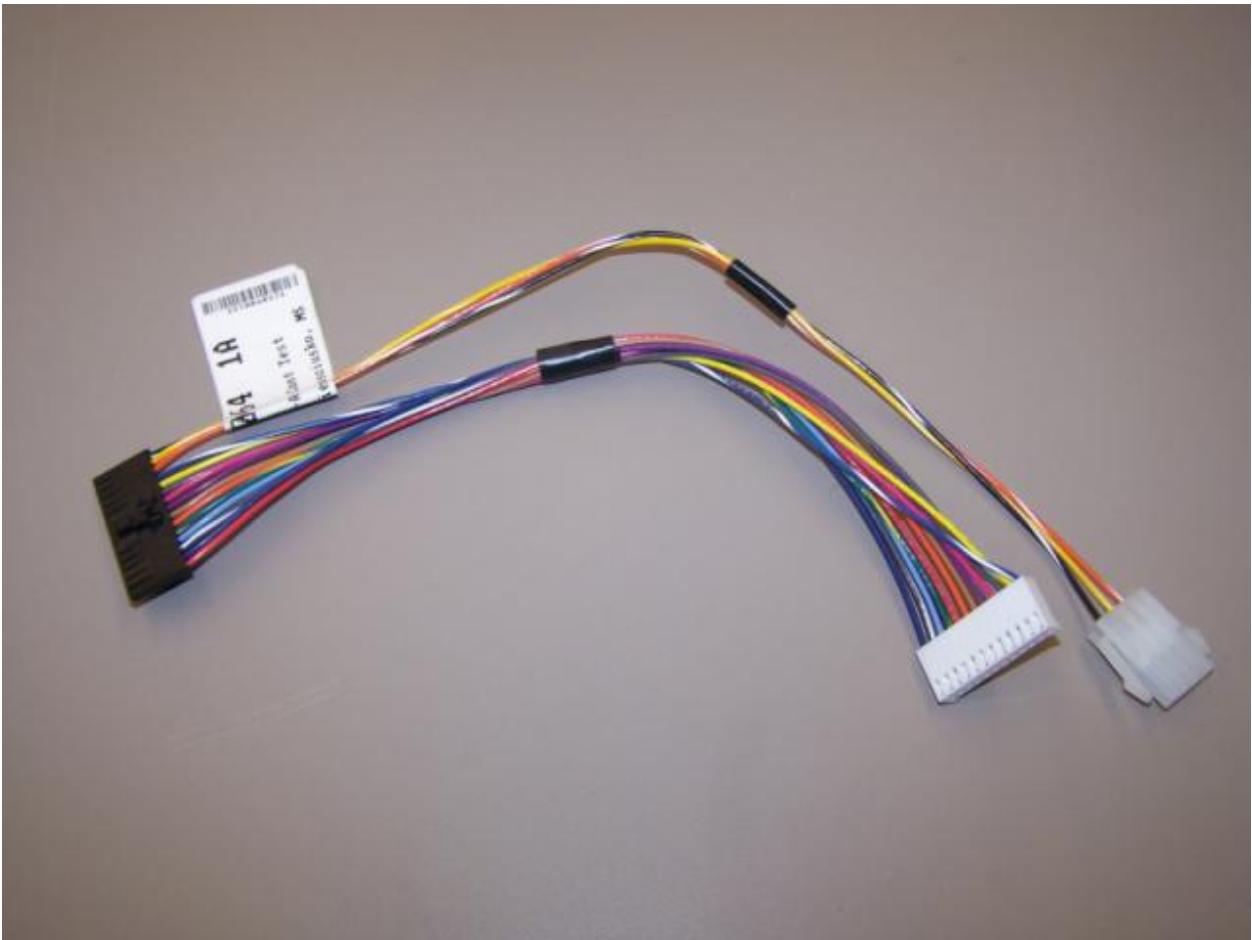
Ref #	Part Number	Qty.	Description
1	A3127415		EXT-FILL TUBE
2	G5096419		FILL TUBE ASSY 10942511
3	PB020304		PLASTIC TUBING-IM WATERLINE NON DISP (SXS & AF)
4	PA970012		SINGLE WATER VALVE



Ref #	Part Number	Qty.	Description
1	F2099444		TUBE DISCHARGE FORMED POST ACCUM
2	PB920201		ACCUMULATOR
3	F2096504		TUBE-DRIER EXT
4	F2097740		TUBE PROCESS
5	10743201		DRIER, HI SIDE
6	F2096507		TUBE-PROCESS GRN
7	G5097976		COMPRESSOR ASSEMBLY (363 AND 483)
8	F2099443		TUBE DISCHARGE FORMED PRE ACCUM
9	F2097793		TUBE FORMED HT EXCH
10	PM910206		EVAPORATOR SXS 48



Ref #	Part Number	Qty.	Description
1	PE970595		HARNESS MACH SXS

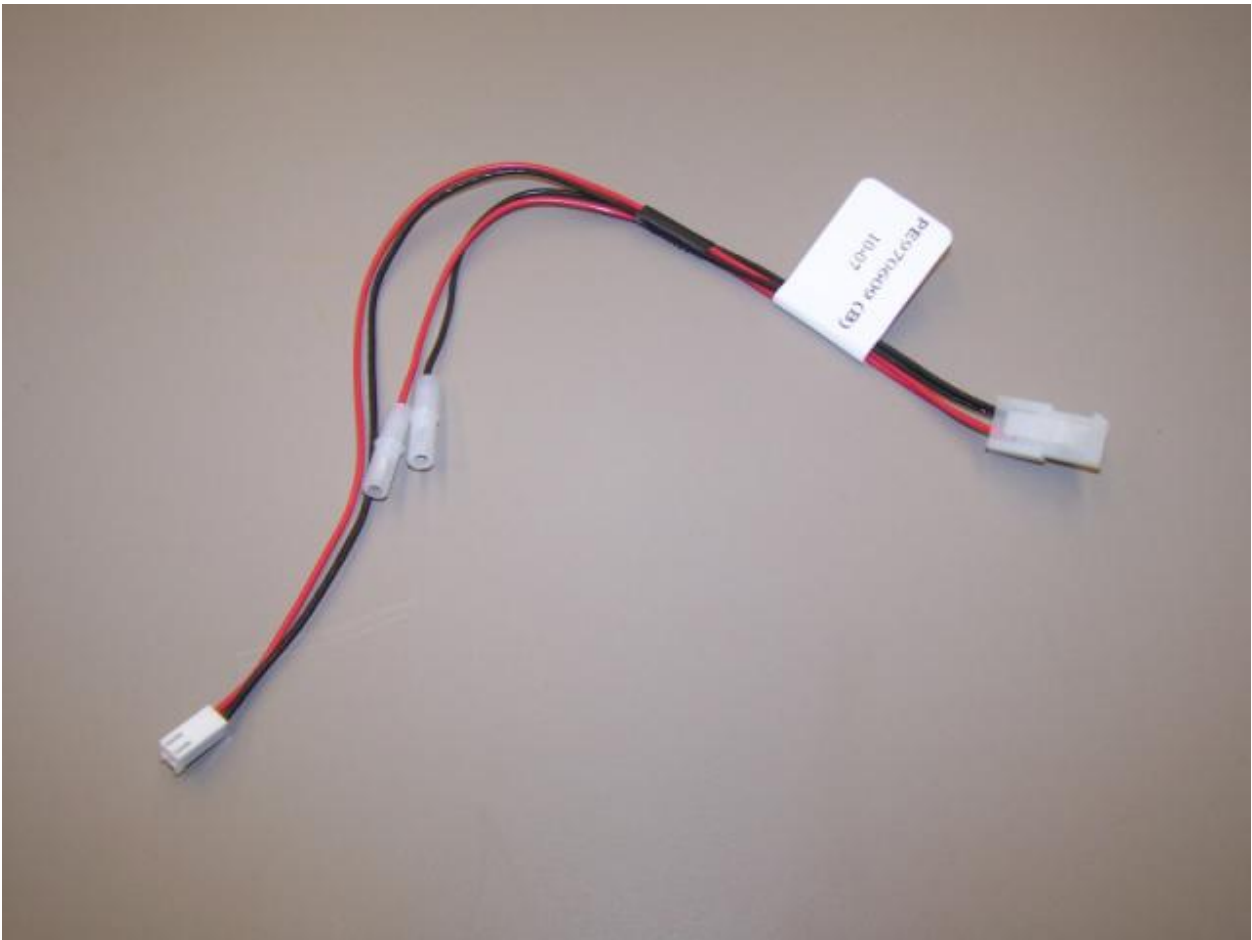




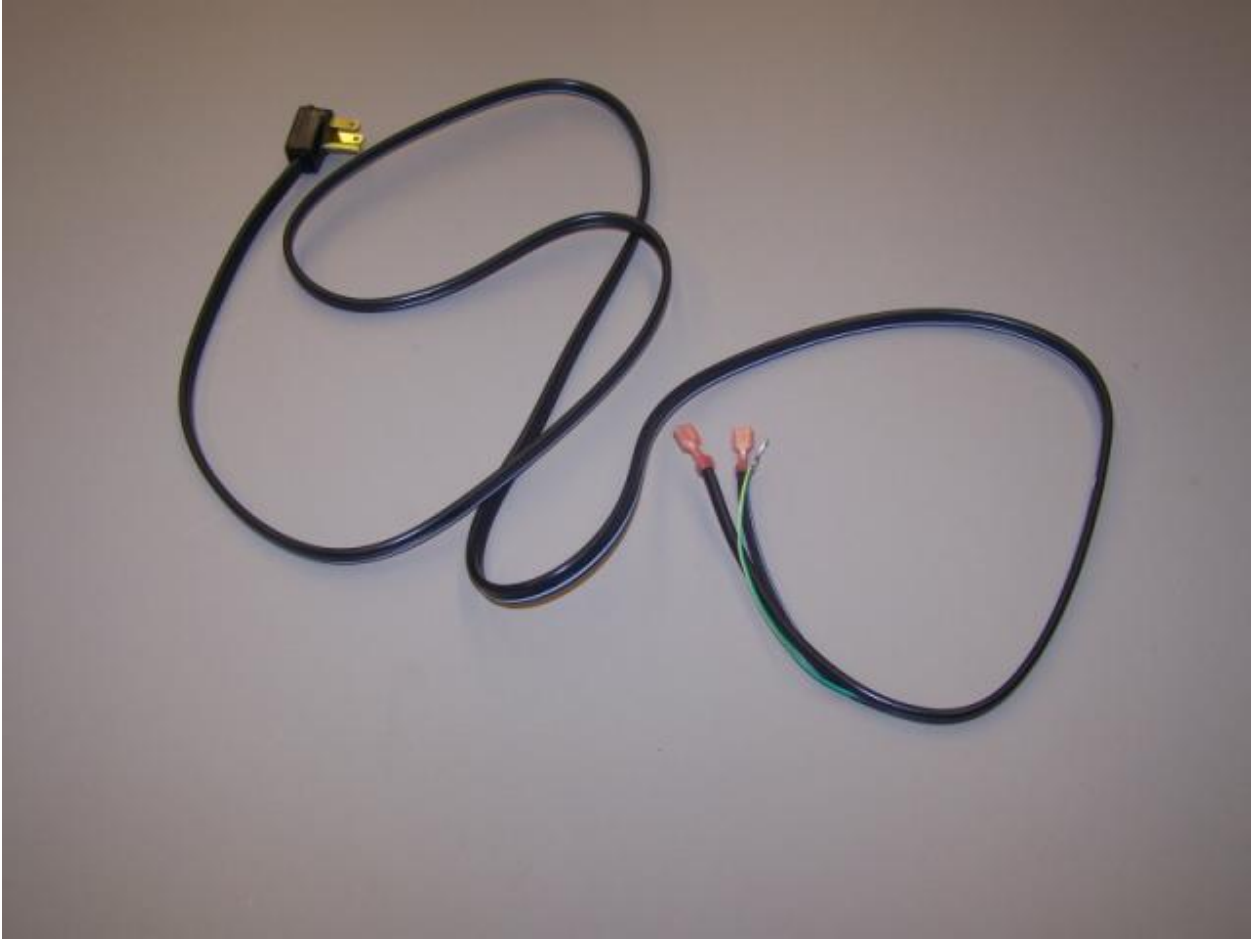
Ref #	Part Number	Qty.	Description
1	PE970464		HARNESS LOW VOLT



Ref #	Part Number	Qty.	Description
1	PE070785		HARNESS HIGH VOLT



Ref #	Part Number	Qty.	Description
1	PE970609		HARNESS CONTROL BOARD



Ref #	Part Number	Qty.	Description
1	10916507		TUBE-PROCESS GRN