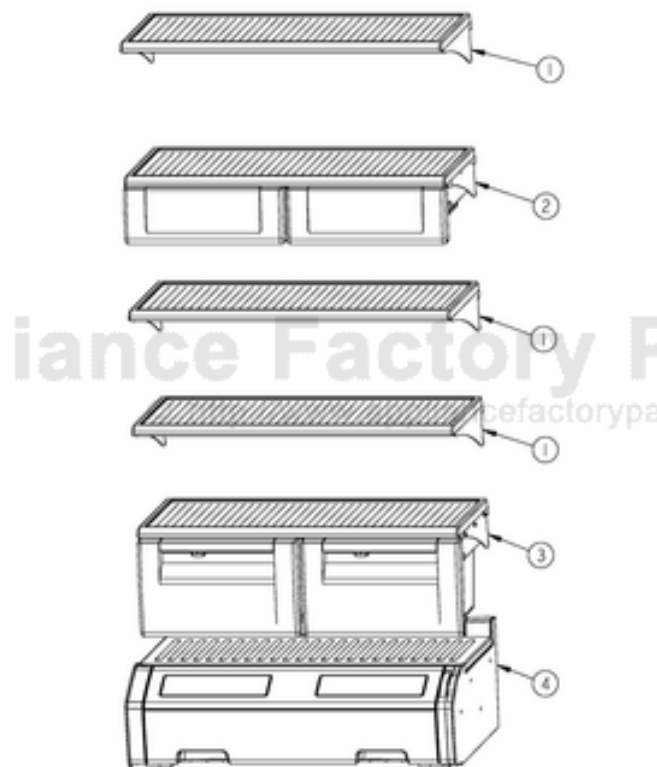


This Owner's Manual is provided and hosted by [Appliance Factory Parts](#).



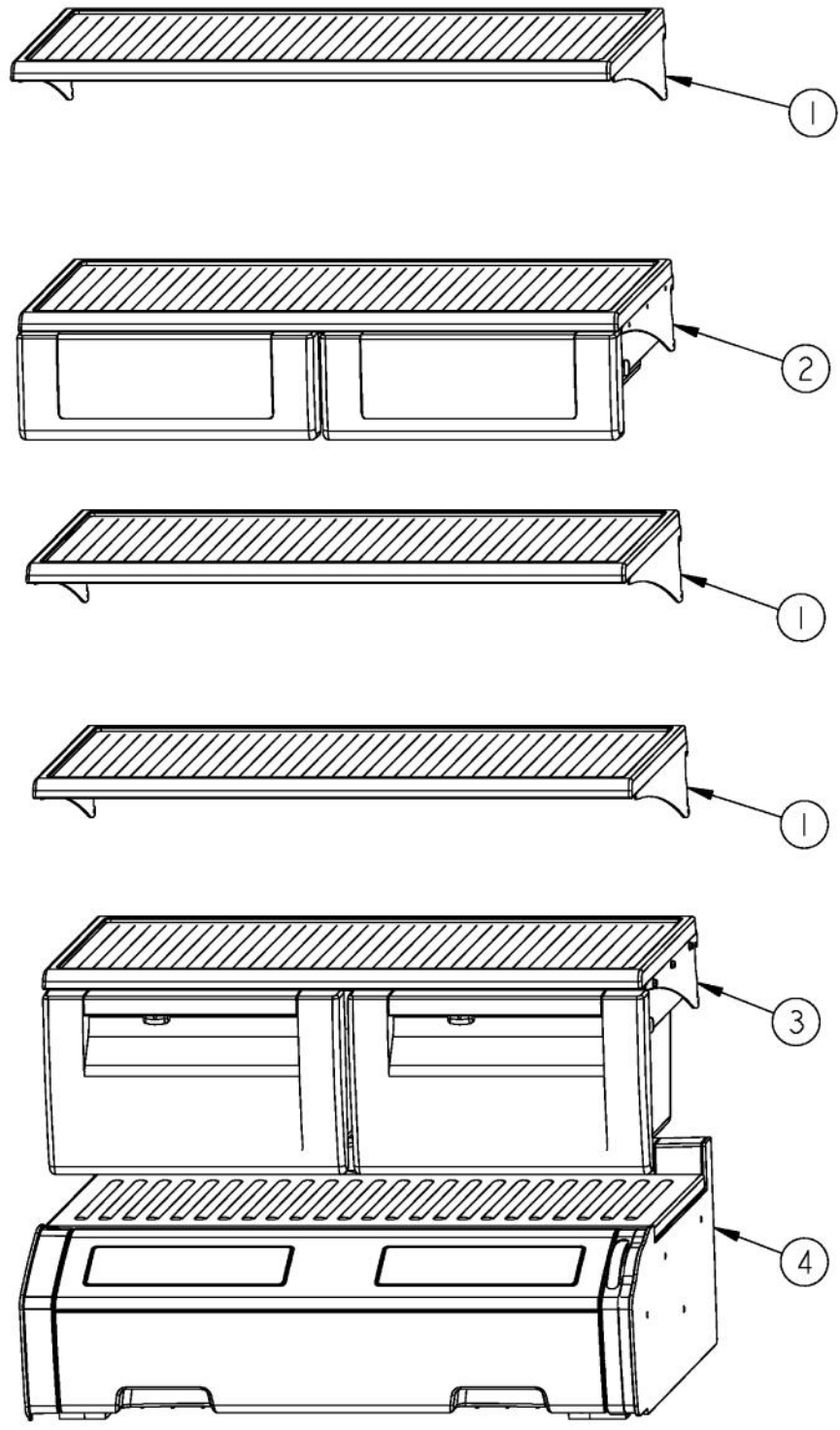
# VIKING DFSB483D JMAG - R SERIES Owner's Manual

[Shop genuine replacement parts for VIKING DFSB483D  
JMAG - R SERIES](#)

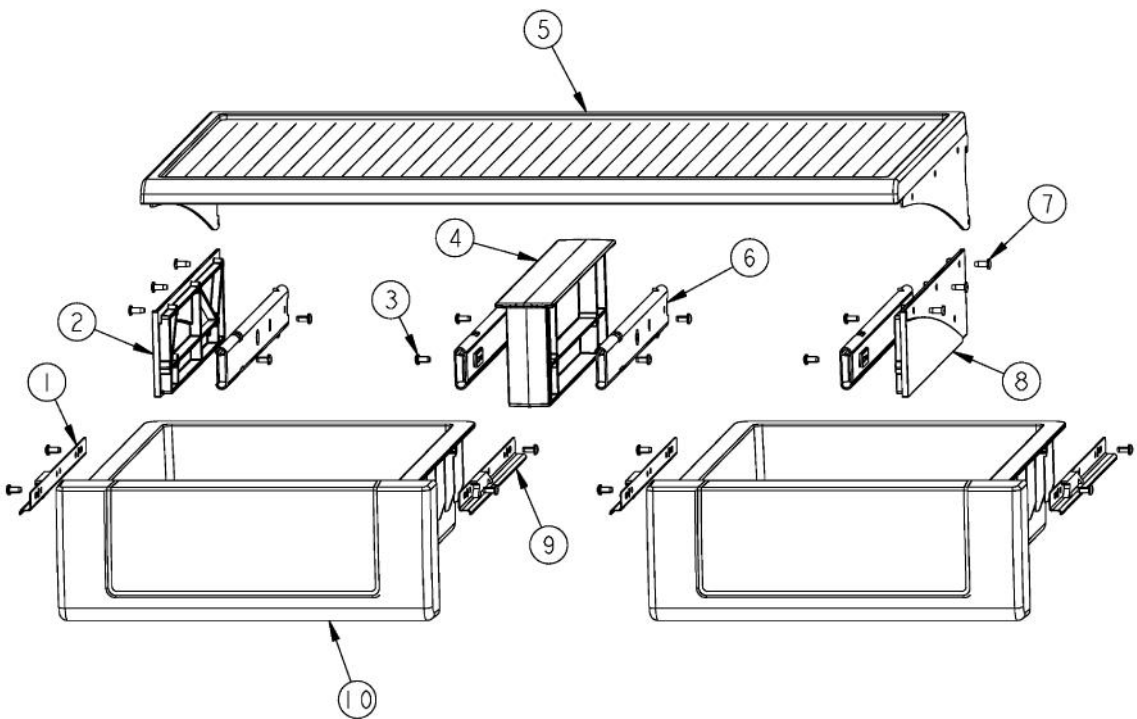


[Find Your VIKING Refrigerator Parts - Select From 341 Models](#)

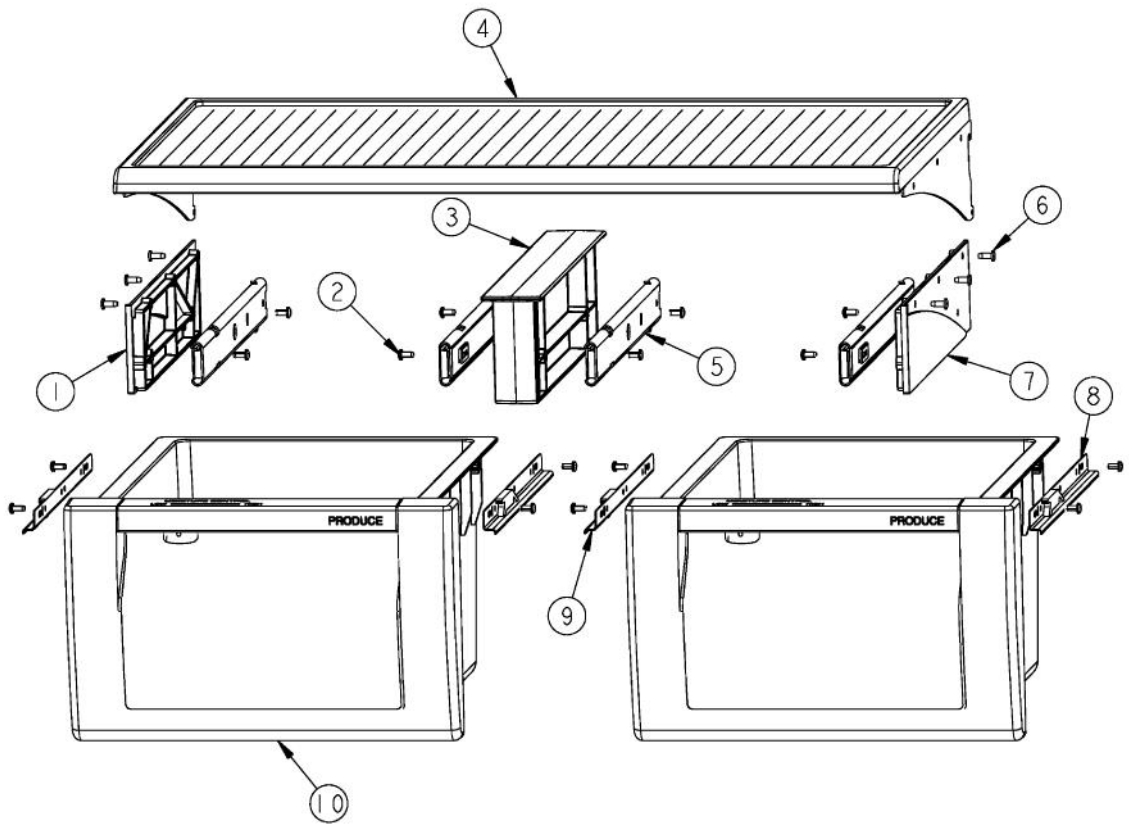
----- Manual continues below -----



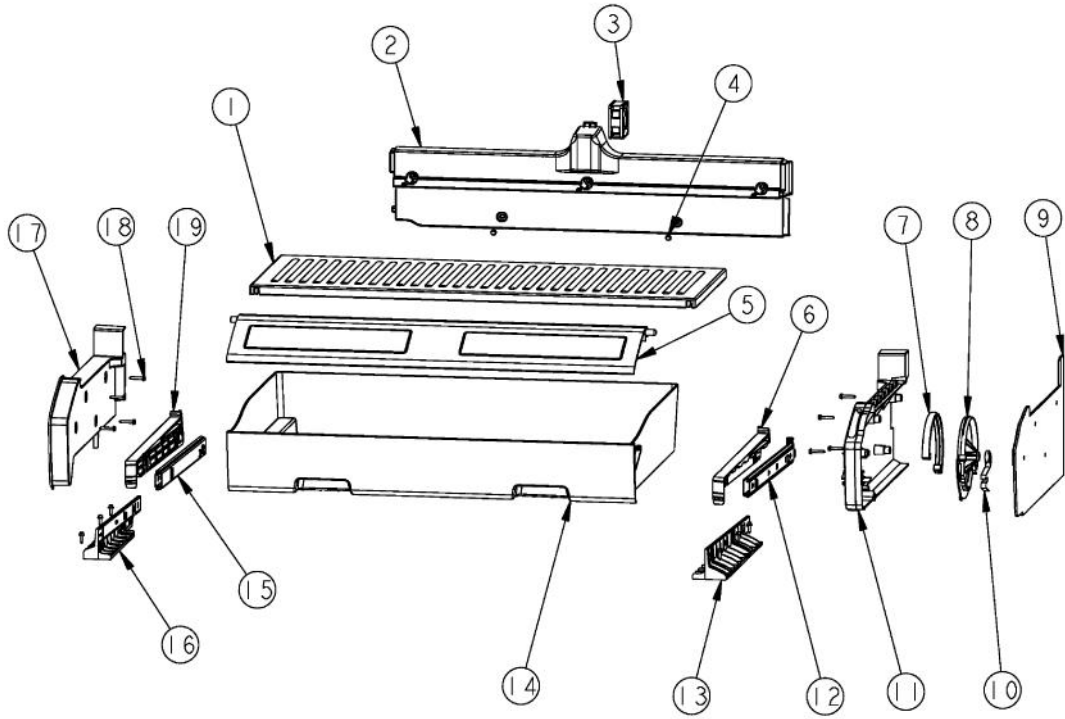
| Ref # | Part Number        | Qty. | Description                 |
|-------|--------------------|------|-----------------------------|
| 1     | PM010529           |      | SHELF ASM GLASS 30 AR 48 FF |
| 2     | DELI DRAWER        |      | SEE PAGE 002 FOR BREAKDOWN  |
| 3     | PRODUCE DRAWER     |      | FOR BREAKDOWN SEE PAGE 002  |
| 4     | Conv.MeatSaverDra. |      | SEE PAGE 004 FOR BREAKDOWN  |



| Ref # | Part Number | Qty. | Description                        |
|-------|-------------|------|------------------------------------|
| 1     | PM910342    |      | RAIL DRAWER L                      |
| 2     | PK930291    |      | SUPPORT SLIDE L                    |
| 3     | PD920161    |      | SCR 8-16 PLASTITE PNP 3/8 S        |
| 4     | PK030439    |      | GLIDE CENTER SUPPORT               |
| 5     | PM010529    |      | SHELF ASM GLASS 30 AR 48 FF        |
| 6     | PM910388    |      | SLIDE DRAWER (R & L)               |
| 7     | PD020032    |      | SRW-8(A)X3/8PH.WFR HD 7/16DIAXNICL |
| 8     | PK930290    |      | SUPPORT SLIDE R                    |
| 9     | PM910343    |      | RAIL DRAWER R                      |
| 10    | PK930305    |      | DRAWER DELI AR 30 SXS 48           |

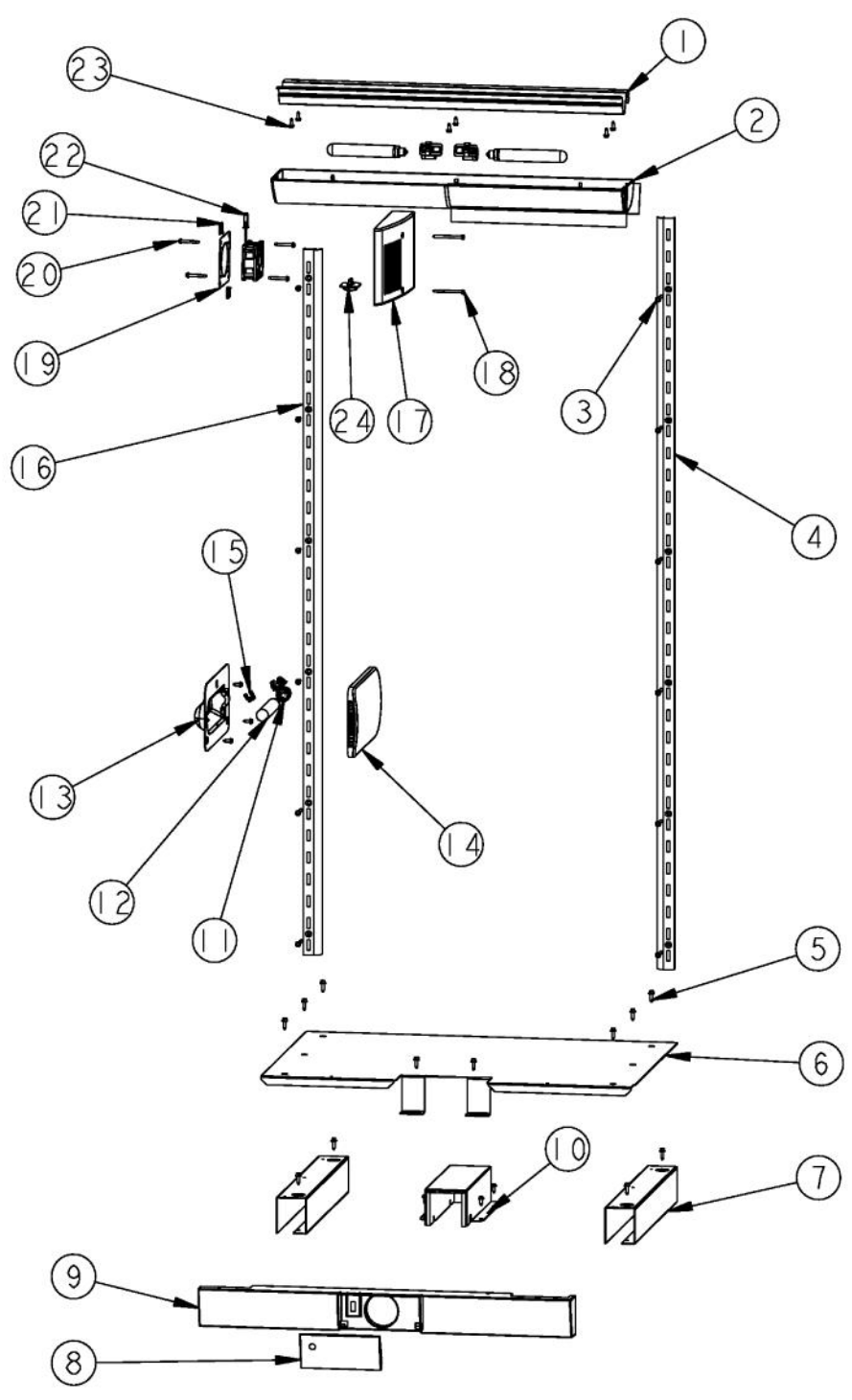


| Ref # | Part Number | Qty. | Description                        |
|-------|-------------|------|------------------------------------|
| 1     | PK930291    |      | SUPPORT SLIDE L                    |
| 2     | PD920161    |      | SCR 8-16 PLASTITE PNP 3/8 S        |
| 3     | PK030439    |      | GLIDE CENTER SUPPORT               |
| 4     | PM010529    |      | SHELF ASM GLASS 30 AR 48 FF        |
| 5     | PM910388    |      | SLIDE DRAWER (R & L)               |
| 6     | PD020032    |      | SRW-8(A)X3/8PH.WFR HD 7/16DIAXNICL |
| 7     | PK930290    |      | SUPPORT SLIDE R                    |
| 8     | PM910343    |      | RAIL DRAWER R                      |
| 9     | PM910342    |      | RAIL DRAWER L                      |
| 10    | PK930304    |      | PRODUCE DRAWER                     |

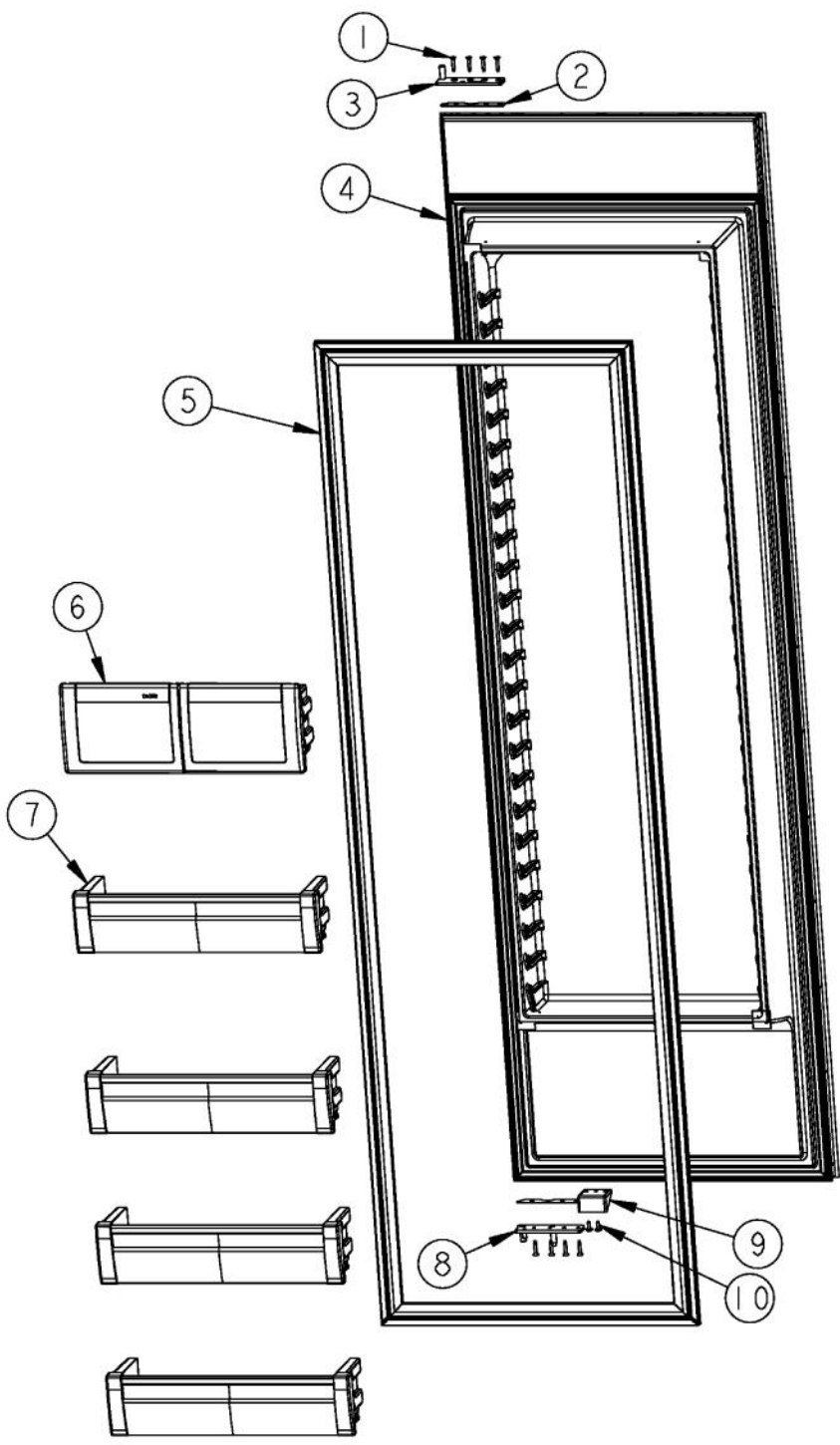




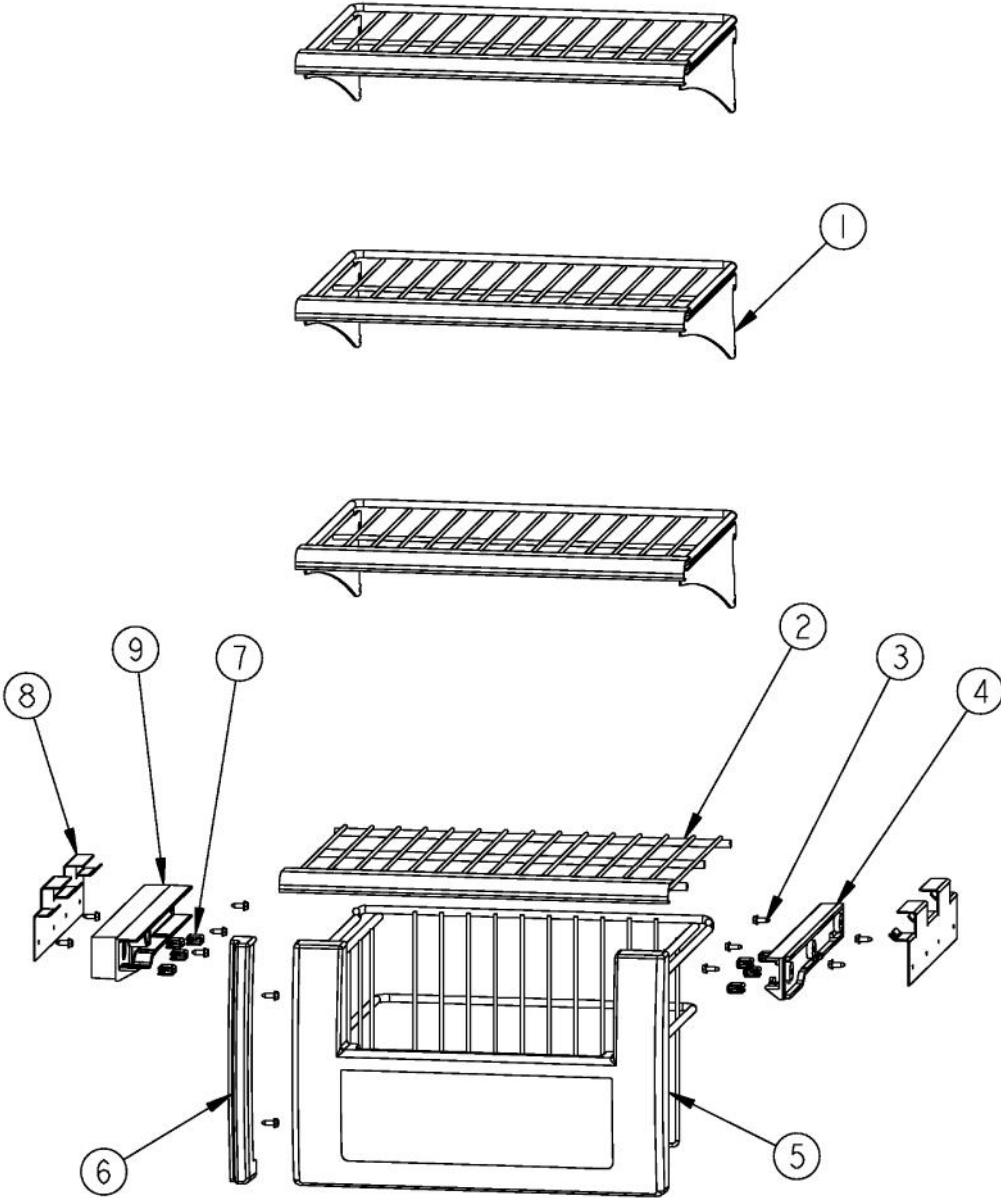
| Ref # | Part Number | Qty. | Description                           |
|-------|-------------|------|---------------------------------------|
| 1     | PK930308    |      | SHELF MEAT SAVER AR 30 SXS 48         |
| 2     | PK930307    |      | DUCT MEAT SAVER AR 30 SXS 48          |
| 3     | 000730-000  |      | MEAT SAVER FAN - 3.8 W                |
| 4     | PD020195    |      | SCR 8-18 X 5/8                        |
| 5     | PK930310    |      | DOOR MEATSAVOR AR 30                  |
| 6     | PK930175    |      | SUPPORT DRAWER MEAT SAVER SXS 42/48 R |
| 7     | PK930172    |      | COVER CONTROL MEAT SAVER              |
| 8     | PK930168    |      | DIAL CONTROL MEAT SAVER               |
| 9     | PK930283    |      | DUCT MEATSAVOR SPACER                 |
| 10    | PM910334    |      | ROLLER TENSION                        |
| 11    | PK930169    |      | DUCT MEAT SAVER SXS 42/48 R           |
| 12    | PM910287    |      | SLIDE MEAT SAVER R                    |
| 13    | PK930173    |      | SUPPORT SLIDE MEAT SAVER SXS 42/48 R  |
| 14    | PK930309    |      | DRAWER MEAT SAVER AR 30 SXS 48        |
| 15    | PM910288    |      | SLIDE MEAT SAVER L                    |
| 16    | PK930174    |      | SUPPORT SLIDE MEAT SAVER SXS 42/48 L  |
| 17    | PK930284    |      | DUCT MEATSAVOR LEFT                   |
| 18    | M0211021    |      | SCREW-SM                              |
| 19    | PK930176    |      | SUPPORT DRAWER MEAT SAVER 42/48 L     |



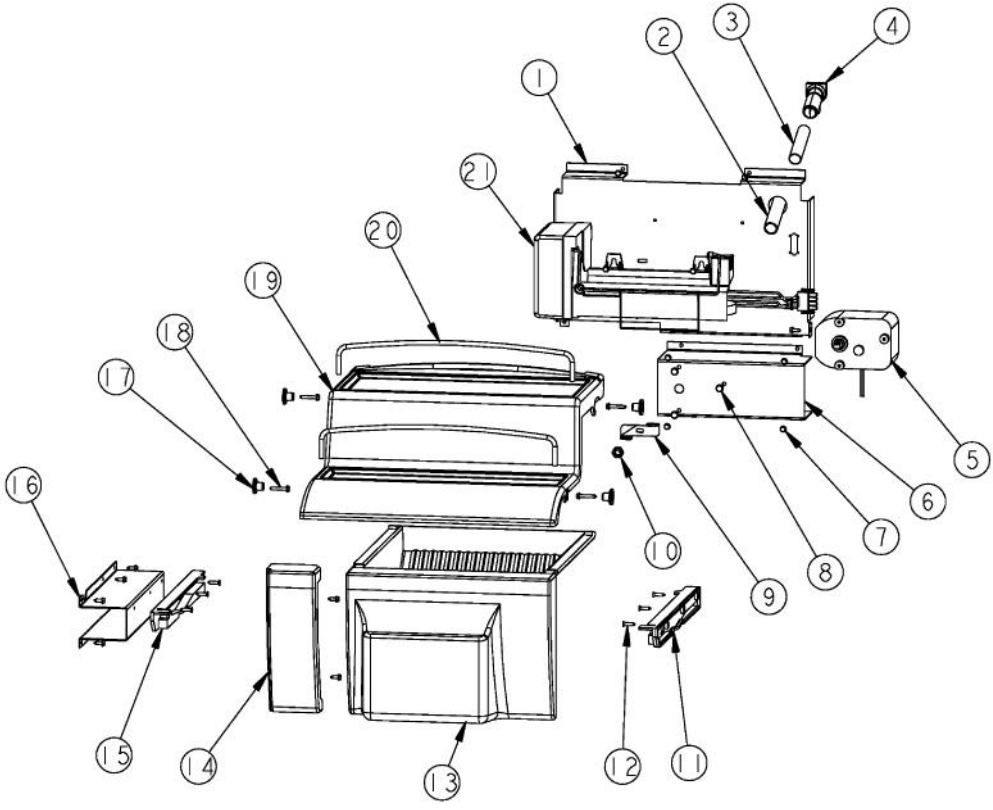
| Ref # | Part Number | Qty. | Description                        |
|-------|-------------|------|------------------------------------|
| 1     | L2099492    |      | BRACKET LIGHT SXS 48 FF            |
| 2     | PK930268    |      | COVER LIGHT ASM AF AR 30 SXS 48 FF |
| 3     | M0238535    |      | SCREW-SM                           |
| 4     | PM910227    |      | LADDER RS REF                      |
| 5     | PD020195    |      | SCR 8-18 X 5/8                     |
| 6     | L20913095   |      | FLOOR-FALSE                        |
| 7     | K20913096   |      | BRACKET FALSE FLOOR                |
| 8     | PK930313    |      | COVER WATER FILTER SXS DISP        |
| 9     | PK930364    |      | COVER FALSE FRONT                  |
| 10    | G50913708   |      | ASM COVER WATER FILTER             |
| 11    | PE950125    |      | LIGHT SOCKET                       |
| 12    | A3079001    |      | LAMP - 40W                         |
| 13    | 10270203    |      | HOUSING-LIGHT V10270203            |
| 14    | PK930346    |      | COVER LIGHT                        |
| 15    | B5733302    |      | CLIP-GROUND                        |
| 16    | PK020079    |      | LADDER FF L SXS 42D/48D            |
| 17    | PK930085    |      | COVER FAN SXS 48 FF                |
| 18    | M0221913    |      | SCREW-SM                           |
| 19    | K2096475    |      | PLATE-FAN MNT 12404701             |
| 20    | PD020188    |      | SCR 8-18 BT HXWS 1 1/2             |
| 21    | M0288120    |      | NUT-SPEED, VM0288120               |
| 22    | 000732-000  |      | FRESH FOOD FAN - 1.2 W             |
| 23    | PD020194    |      | SCREW-SM                           |
| 24    | C8983701    |      | THERMISTOR                         |
| NI    | PM910332    |      | ACCESORY ASSY                      |



| Ref # | Part Number | Qty. | Description                                       |
|-------|-------------|------|---|
| 1     | PD920174    |      | 10-32 TORX HEAD SCREW                             |
| 2     | PD040162    |      | SPACER-DOOR HINGE                                 |
| 3     | PC020274    |      | PIVOT PL ASM RH UP FOL                            |
| 4     | G32915040   |      | DOOR ASM 48/48D FF<br>(INCLUDES GASKET)           |
| 5     | PB070332    | 1    | DOOR GASKET<br>(BEFORE 06-10-08)                  |
| 5     | 005454-000  | 1    | GASKET, ASM, 48,SXS, FF<br>(ON OR AFTER 06-10-08) |
| 6     | V12203602   |      | DAIRY MODULE ASM                                  |
| 7     | G5099291    |      | DOOR BIN ASM SXS 48 FF AND 30 AR                  |
| 8     | 016180-000  |      | PIVOT PL AS LH LW FOL                             |
| 9     | PD050019    |      | STRIKER DOOR SWITCH                               |
| 10    | M0210458    |      | SCREW-SM  |

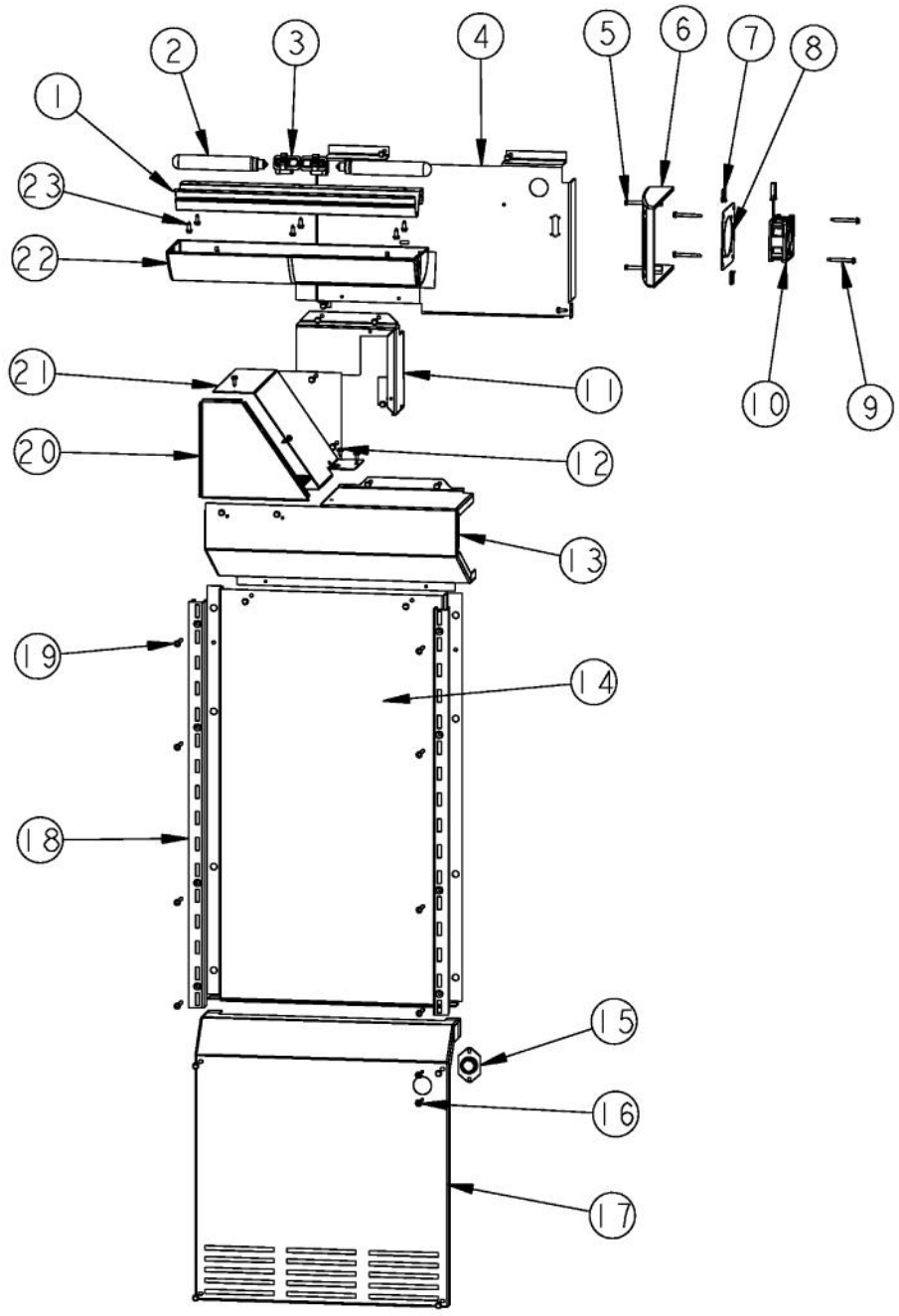


| Ref # | Part Number | Qty. | Description                 |
|-------|-------------|------|-----------------------------|
| 1     | PM910189    |      | SHELF WIRE FZ               |
| 2     | PM910231    |      | FZ FIXED BASKET ASSEMBLY    |
| 3     | PD020194    |      | SCREW-SM                    |
| 4     | PK930074    |      | GLIDE SXS 48 FZ R           |
| 5     | PM910190    |      | BASKET ASM FZ               |
| 6     | PK930107    |      | FZ BASKET SIDE SPACER FRONT |
| 7     | 12064701    |      | PAD-GLIDE V12064701         |
| 8     | L20910067   |      | FZ SHELF BRACKET            |
| 9     | PK930075    |      | GLIDE SXS 48 FZ L           |

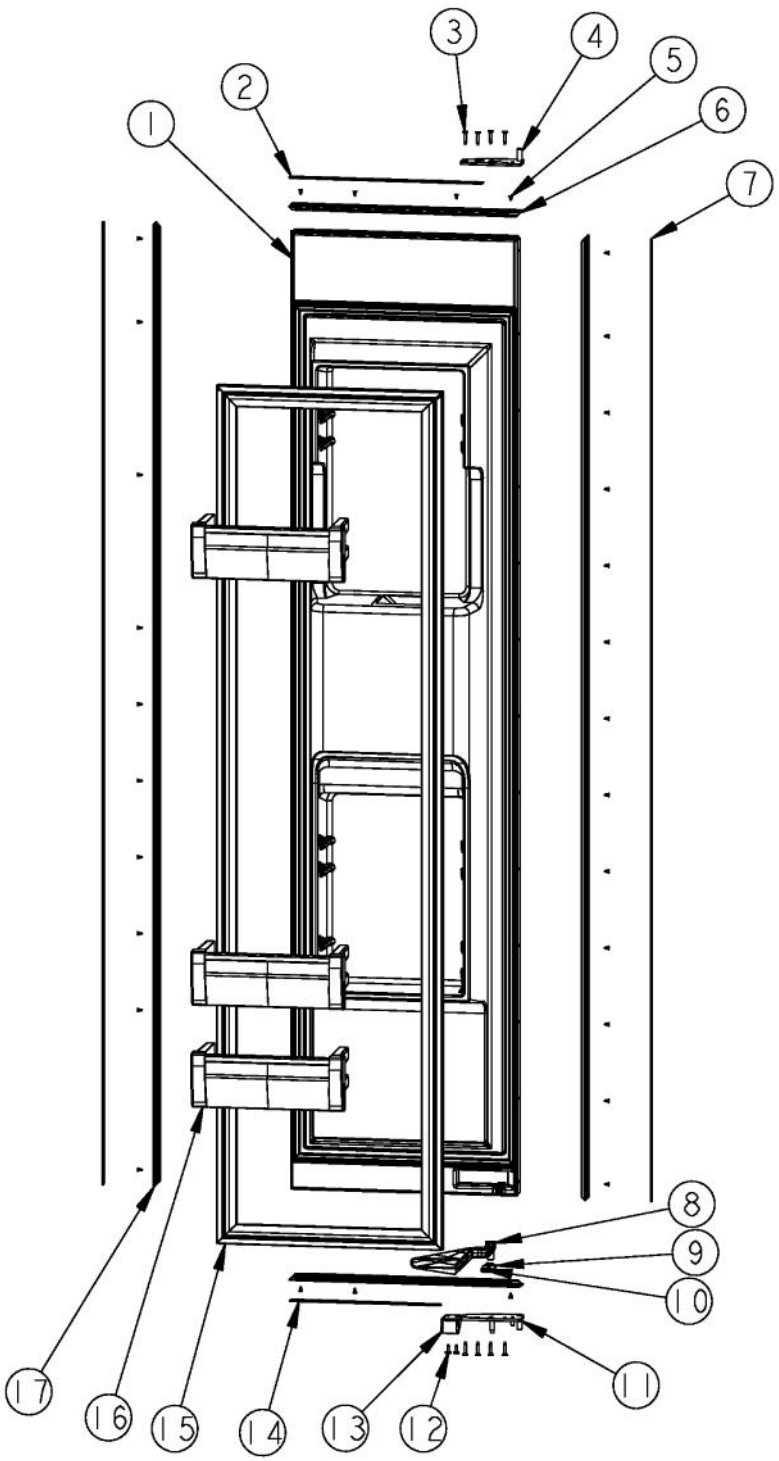




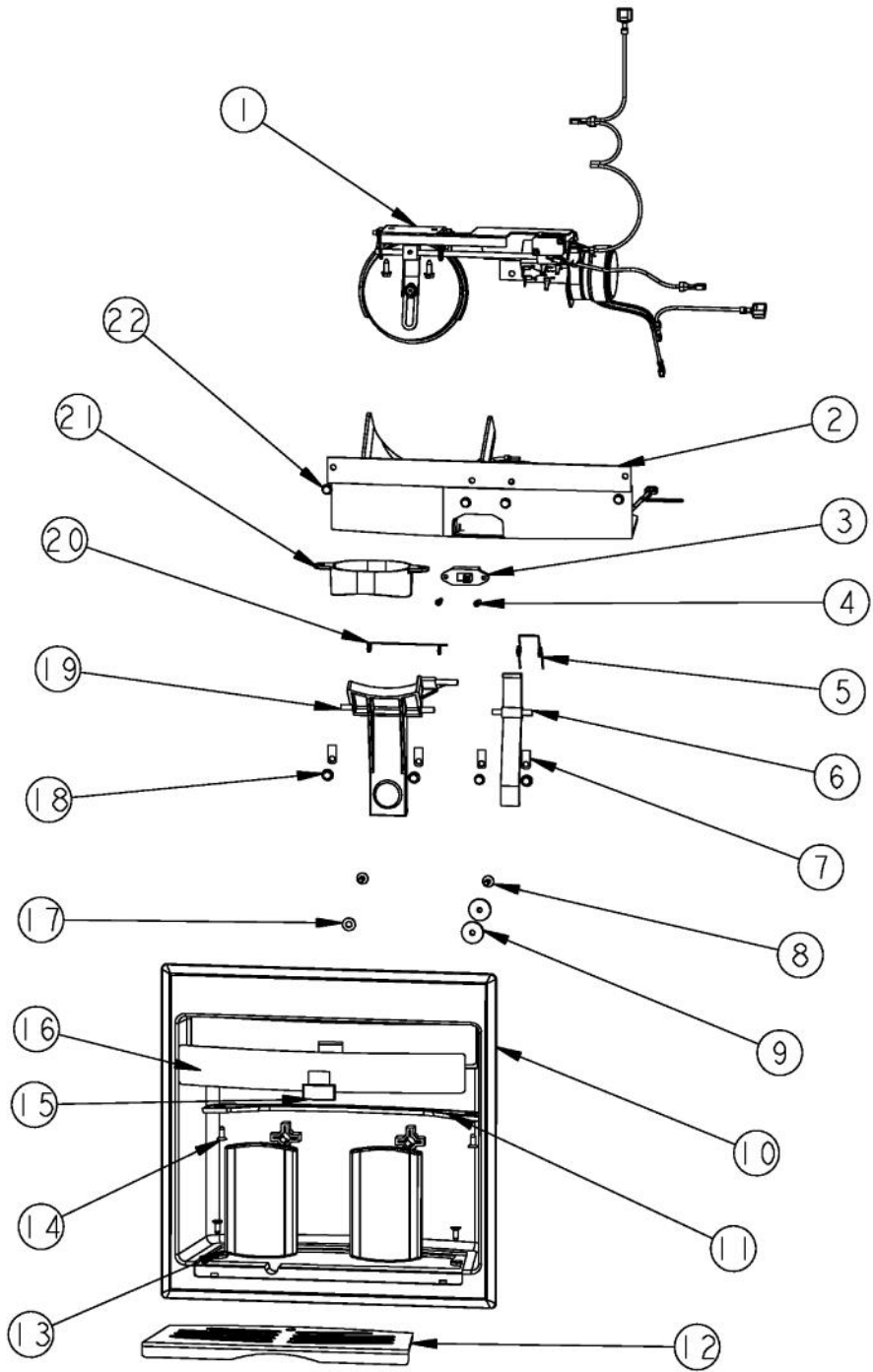
| Ref # | Part Number | Qty. | Description   |
|-------|-------------|------|---|
| 1     | C90910058WH |      | COVER UPPER EVAP  |
| 2     | PB920220    |      | EXT FILL TUBE   |
| 3     | PK030436    |      | FILL TUBE   |
| 4     | 10276601    |      | ELBOW-FILLER TUBE   |
| NI    | G5096419    |      | FILL TUBE ASSY 10942511<br>(INCLUDES ITEMS NO. 3 AND NO. 4) |
| 5     | PE950158    |      | MOTOR AUGER   |
| 6     | C90914113WH |      | BRACKET - AUGER MOTOR (WH)                                  |
| 7     | PD020194    |      | SCREW-SM  |
| 8     | PD020191    |      | SCR. NO.10 PLAS HXW 1/2 S                                   |
| 9     | B20911863   |      | DRIVER ? ICE BUCKET RNG                                     |
| 10    | M0223101    |      | NUT LOCKING   |
| 11    | PK930265    |      | GLIDE R FZ  |
| 12    | M0213503    |      | SCREW-SM  |
| 13    | PM910331    |      | ICE BUCKET ASSY   |
| 14    | PK930096    |      | CLOSEOUT - ICE DISPENSER                                    |
| 15    | PK930266    |      | GLIDE L FZ  |
| 16    | C90910027WH |      | SUPPORT LS ICE BUCKET                                       |
| 17    | 12258501    |      | SUPPORT-SHELF   |
| 18    | M0211021    |      | SCREW-SM  |
| 19    | PK930264    |      | SHELF COVER   |
| 20    | PM910435    |      | RETAINER WIRE   |
| 21    | G50911851   |      | ICE MAKER ASM, SXS ND, AF                                   |



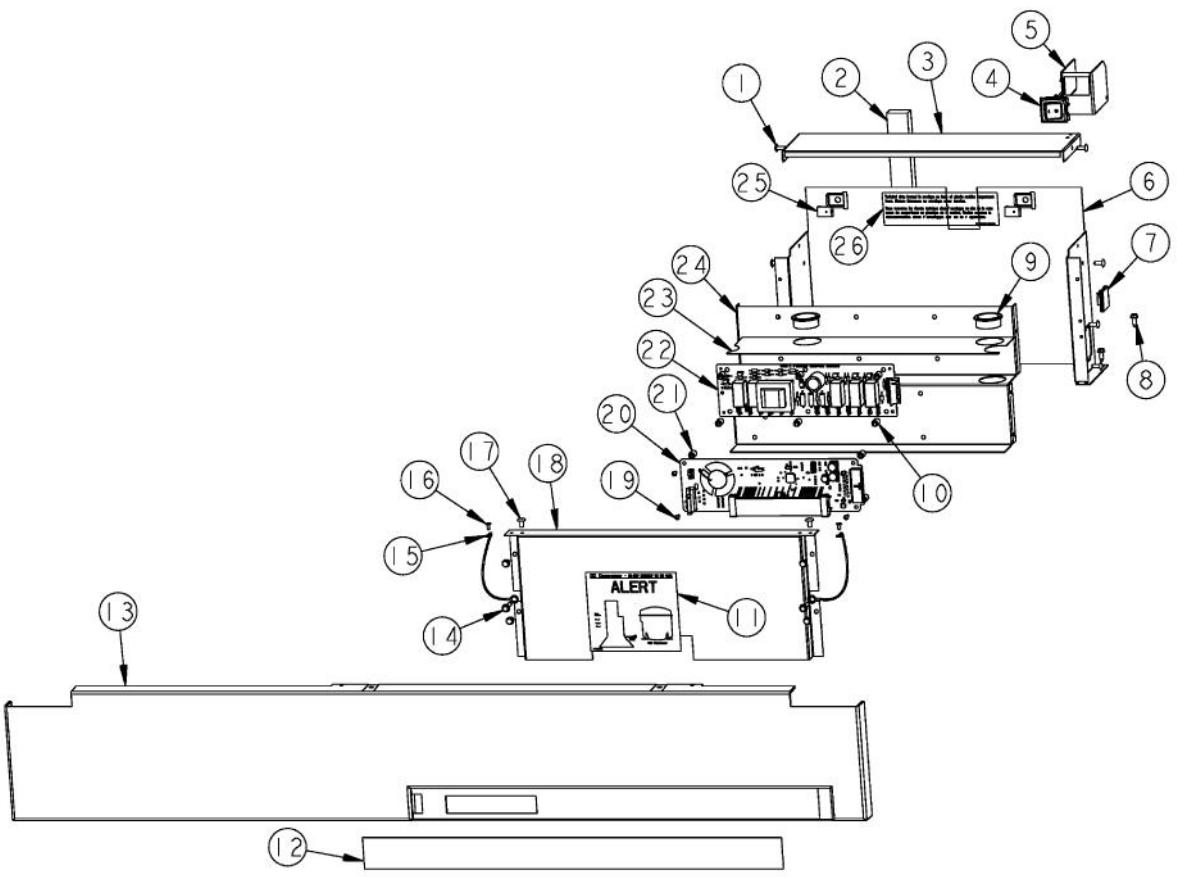
| Ref # | Part Number | Qty. | Description               |
|-------|-------------|------|---------------------------|
| 1     | L2099475    |      | BRACKET LIGHT SXS FZ      |
| 2     | A3079001    |      | LAMP - 40W                |
| 3     | PE950125    |      | LIGHT SOCKET              |
| 4     | C90910058   |      | UPPER EVAPORATOR COVER    |
| 5     | M0221913    |      | SCREW-SM                  |
| 6     | PK930086    |      | COVER FAN SXS 48 FZ       |
| 7     | M0288120    |      | NUT-SPEED, VM0288120      |
| 8     | K2096475    |      | PLATE-FAN MNT 12404701    |
| 9     | PD020188    |      | SCR 8-18 BT HXWS 1 1/2    |
| 10    | 000732-000  |      | FRESH FOOD FAN - 1.2 W    |
| 11    | L20914115   |      | FAN BRACKET               |
| 12    | PD920193    |      | SCREW                     |
| 13    | L20910056   |      | COVER EVAP MOTOR          |
| 14    | L20910057   |      | COVER CENTER EVAP         |
| 15    | C8983701    |      | THERMISTOR                |
| 16    | M0211014    |      | SCREW-SM                  |
| 17    | L20910054   |      | COVER LOWER EVAP          |
| 18    | PM910375    |      | LADDER R/L FZ             |
| 19    | M0238535    |      | SCREW-SM                  |
| 20    | L20910075   |      | COVER EVAP FAN            |
| 21    | L20914114   |      | FAN COVER                 |
| 22    | PK930116    |      | COVER LIGHT ASM SXS 42 FZ |
| 23    | PD020194    |      | SCREW-SM                  |



| Ref # | Part Number | Qty. | Description   |
|-------|-------------|------|---|
| 1     | G32915039   |      | DOOR ASM 48D FZ<br>(INCLUDES GASKET)                    |
| 2     | PM910345    |      | INSERT FRAME DOOR TOP SXS 42 FZ FO                      |
| 3     | PD920174    |      | 10-32 TORX HEAD SCREW                                   |
| 4     | PC020275    |      | PIVOT PL ASM LH UP FOL                                  |
| 5     | M0215704    |      | SCREW-SM  |
| 6     | PM010615    |      | TRIM DOOR 48 FZ TOP BOT FOL                             |
| 7     | PM910097    |      | INSERT SXS FF/FZ SIDE 12063706                          |
| 8     | PK930297    |      | ELBOW CHASE SXS DISP                                    |
| 9     | PK930298    |      | RETAINER ELBOW 42 SXS DISP                              |
| 10    | M0215318    |      | SCREW-SM  |
| 11    | 016179-000  |      | PIVOT PL ASM RH LW FOL                                  |
| 12    | M0210458    |      | SCREW-SM  |
| 13    | PD950019    |      | STRIKER SWITCH  |
| 14    | PM910313    |      | INSERT FRAME DOOR BTM SXS 42 FZ FO                      |
| 15    | PB070331    | 1    | DOOR GASKET<br>(BEFORE 06-10-08)                        |
| 15    | 005456-000  | 1    | GASKET, ASM, 48, SXS, FZ DISP<br>(ON OR AFTER 06-10-08) |
| 16    | G5098676    |      | DOORBIN ASM SXS 42 & 48 FZ                              |
| 17    | PM910102    |      | SIDE TRIM   |

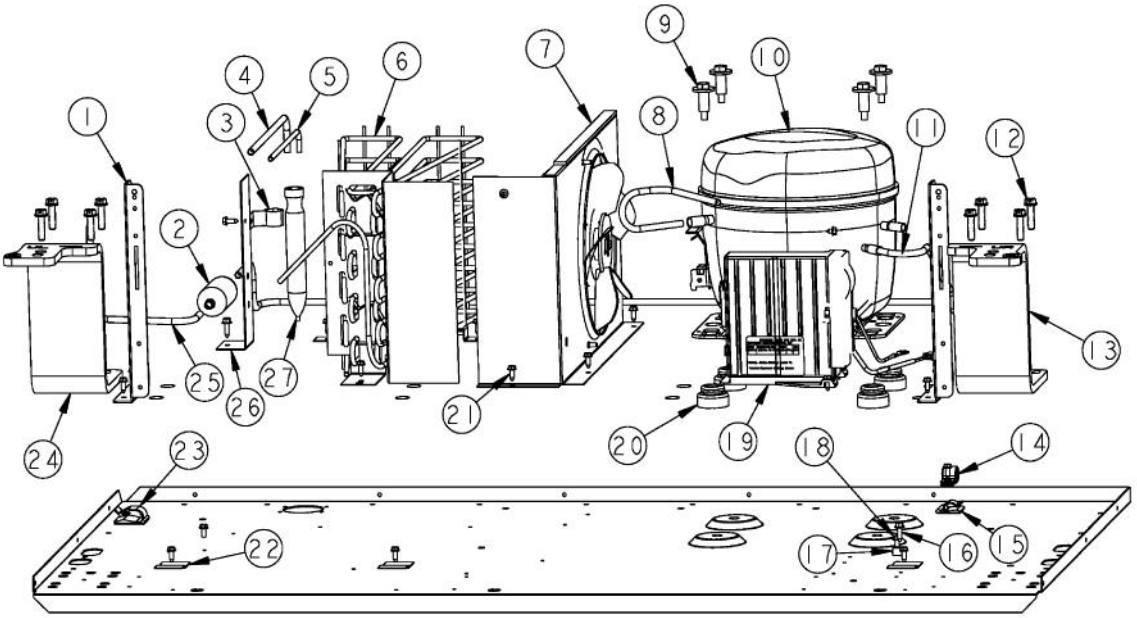


| Ref # | Part Number | Qty. | Description                      |
|-------|-------------|------|----------------------------------|
| 1     | G50914150   |      | ICE DISPENSER MODULE ASM         |
| 2     | PE070755    |      | DISPENSER CAVITY ASSEMBLY        |
| 3     | PE950152    |      | SWITCH SLIDE                     |
| 4     | 00334-000   |      | SCREW, NO.4-24 X 1/2             |
| 5     | B8385402    |      | SPRING-RETURN                    |
| 6     | PK930404    |      | ARM WATER ACTUATOR               |
| 7     | B10910081   |      | DISP RETAINER ICE ARM            |
| 8     | M0210443    |      | SCREW-E SM                       |
| 9     | M0270546    |      | WASHER                           |
| 10    | PB910228    |      | BEZEL I/W DISPENSER FULL OVERLAY |
| 11    | 12268304    |      | STOP FACADE                      |
| 12    | PB980026    |      | SPILL TRAY - I/W DISPENSER       |
| 13    | 12221005    |      | PAD ACTUATOR                     |
| 14    | M0215318    |      | SCREW-SM                         |
| 15    | PK930145    |      | CAP - BLACK SWITCH               |
| 16    | PB910281    |      | INSERT FACADE SXS DISPENSER      |
| 17    | PD040071    |      | NO.8- .437 O.D. FLAT WASHER SS   |
| 18    | PD020193    |      | SCR 8-18 X 3/8                   |
| 19    | PK030470    |      | ARM ICE ACTUATOR                 |
| 20    | PC010022    |      | SPRING RETURN ICE ACTUATOR       |
| 21    | PM010625    |      | SHROUD ICE DISPENSER BK          |
| 22    | PD020194    |      | SCREW-SM                         |

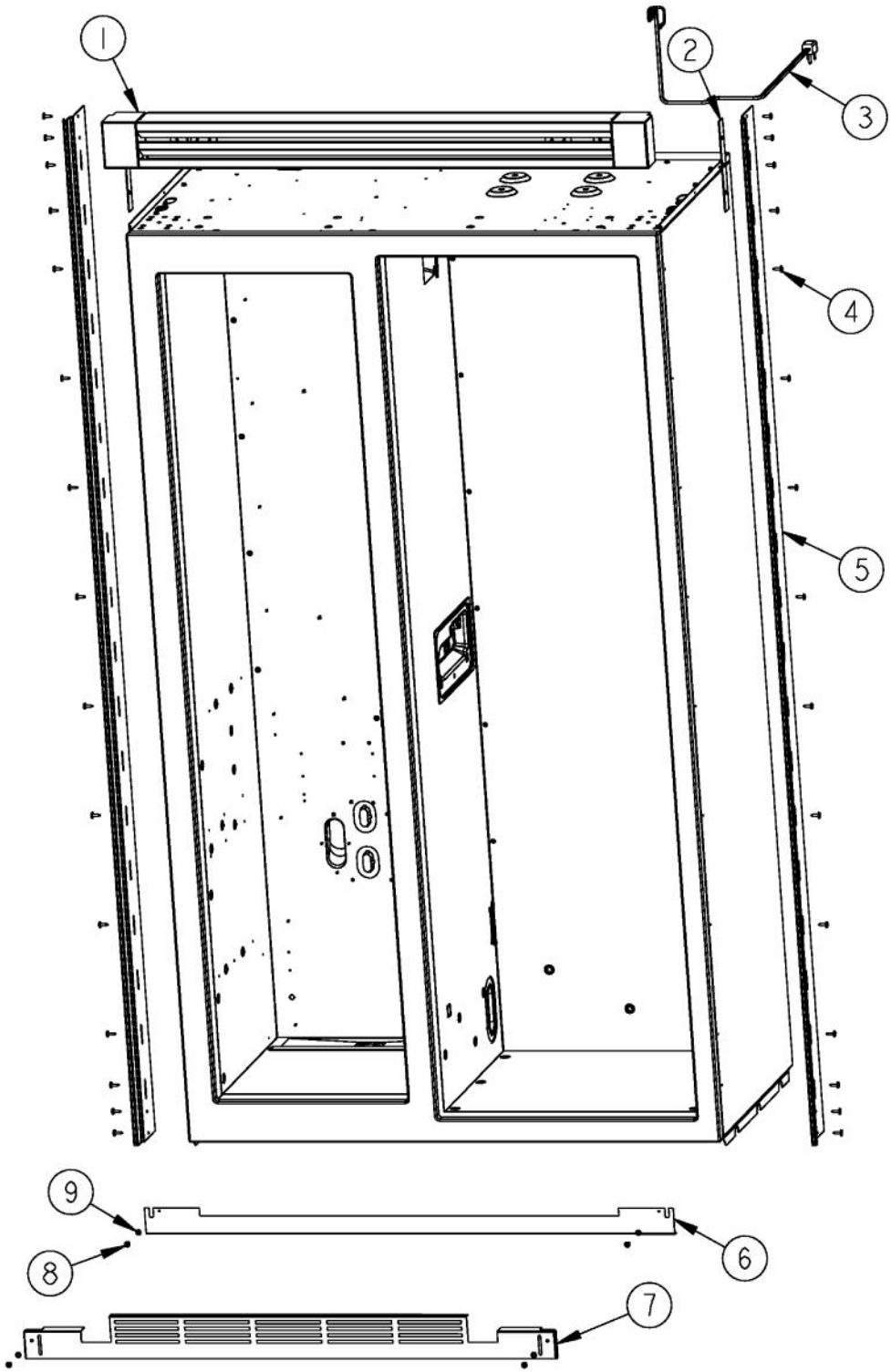




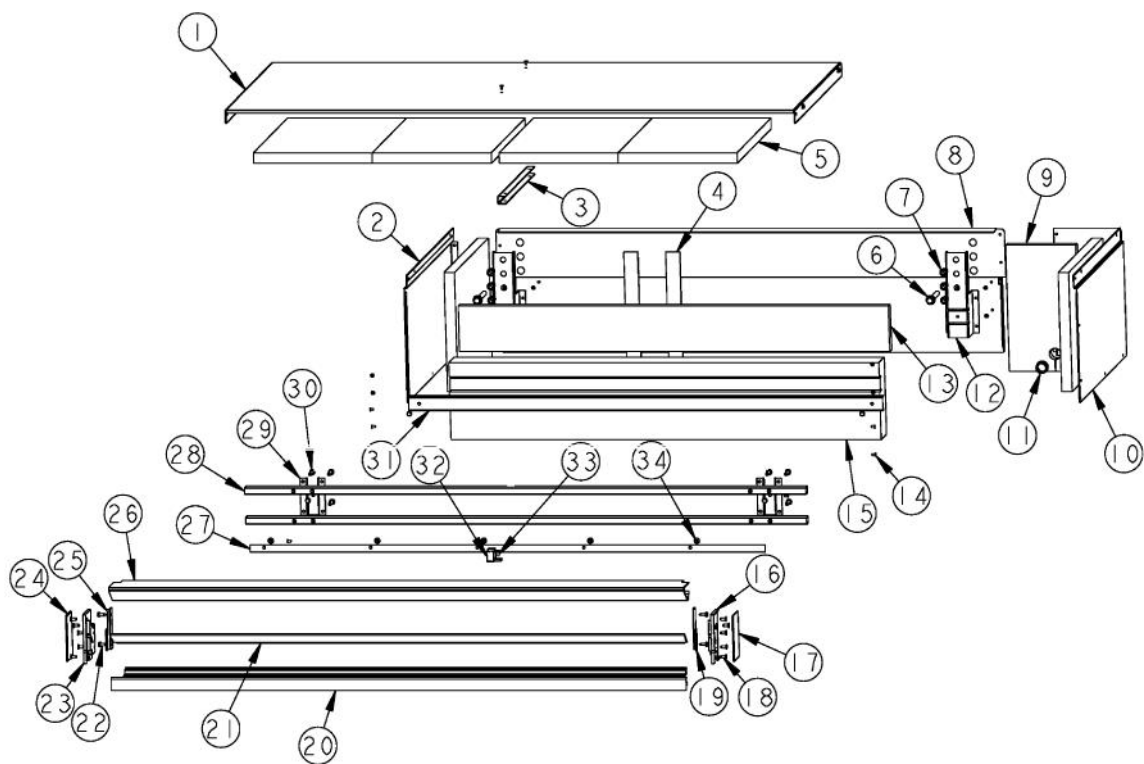
| Ref # | Part Number | Qty. | Description                       |
|-------|-------------|------|-----------------------------------|
| 1     | PC040010    |      | POP RIVET                         |
| 2     | A3030361    |      | GASKET, RED                       |
| 3     | K20915000   |      | CONTROL BOX TOP                   |
| 4     | PE950149    |      | SWITCH POWER                      |
| 5     | K2098654    |      | BRACKET SWITCH POWER              |
| 6     | K2099402    |      | CONTROL BOX                       |
| 7     | M0104106    |      | CLIP-CORD VM0104106               |
| 8     | PD020194    |      | SCREW-SM                          |
| 9     | A4554817    |      | BUSHING-SNAP VA4554817            |
| 10    | M0585504    |      | SUPPORT                           |
| 11    | PF930672    |      | LABEL DC COMPRESSOR               |
| 12    | PE950172    |      | OVERLAY SWITCH SXS 48 NON - DISP  |
| 13    | PK930248    |      | COVER PANEL 48 SXS                |
| 14    | M0238846    |      | SCREW-SHLDR                       |
| 15    | 12064001    |      | SUPP-CONT PANEL                   |
| 16    | PC040010    |      | POP RIVET                         |
| 17    | M0224128    |      | SCREW-SM                          |
| 18    | K20910061   |      | CONTROL BOX FRONT                 |
| 19    | PD020013    |      | TYPE AB NO.6 X 3/8 PH PAN HD. SMS |
| 20    | PE070728    |      | BOARD LOW VOLTAGE                 |
| 21    | M0585506    |      | SUPPORT                           |
| 22    | PE970463    |      | POWER CONTROL BOARD               |
| 23    | PM910325    |      | FILM PROTECTIVE                   |
| 24    | K20910060   |      | BRACKET - PC                      |
| 25    | M0288120    |      | NUT-SPEED, VM0288120              |
| 26    | PF930487    |      | TECH LITERATURE LABEL - 2         |



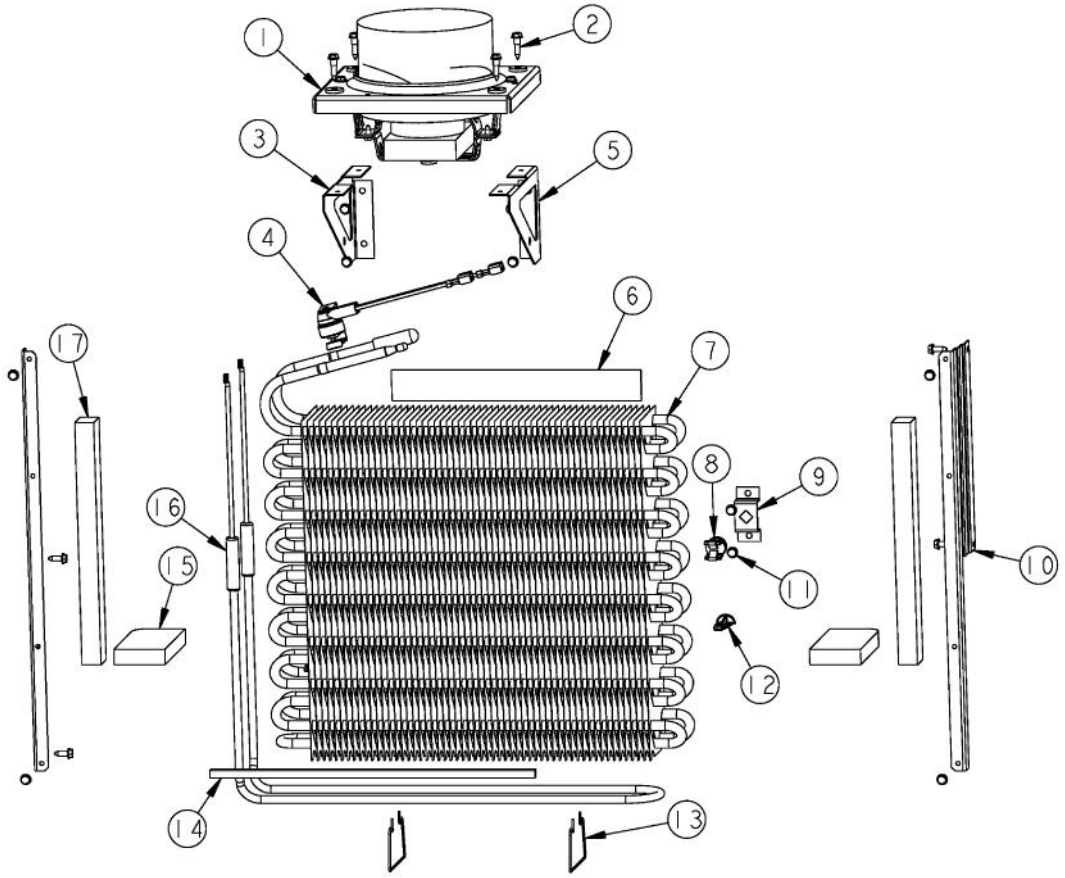
| Ref # | Part Number | Qty. | Description                       |
|-------|-------------|------|-----------------------------------|
| 1     | K20912569   |      | BRACKET GRILLE SUPPORT            |
| 2     | PB920201    |      | ACCUMULATOR                       |
| 3     | 10547001    |      | CLIP-DRIER V10547001              |
| 4     | F2097740    |      | TUBE PROCESS                      |
| 5     | F2096504    |      | TUBE-DRIER EXT                    |
| 6     | PB920171    |      | CONDENSER ASM                     |
| 7     | G5096494    |      | COND. FAN ASSY                    |
| 8     | F2096507    |      | TUBE-PROCESS GRN                  |
| 9     | M0221523    |      | SCREW - SHLDR                     |
| 10    | G5097976    |      | COMPRESSOR ASSEMBLY (363 AND 483) |
| 11    | F2099443    |      | TUBE DISCHARGE FORMED PRE ACCUM   |
| 12    | 000570-000  |      | HEX SCREW                         |
| 13    | PC920203    |      | HINGE ASM UR                      |
| 14    | PD030118    |      | SCREW - SHLDR                     |
| 15    | M0104106    |      | CLIP-CORD VM0104106               |
| 16    | PD020195    |      | SCR 8-18 X 5/8                    |
| 17    | M0103904    |      | CLAMP-SPEED                       |
| 18    | PD020010    |      | 10 X 3/8 GREEN GROUNDING SCREW    |
| 19    | PE070849    |      | INVERTER                          |
| 20    | 10835901    |      | GROMMET RUBBER V10835901          |
| 21    | PD020194    |      | SCREW-SM                          |
| 22    | K2096943    |      | PANEL BRACKET                     |
| 23    | M0104102    |      | CLIP-CORD RED                     |
| 24    | PC920204    |      | HINGE ASM UL                      |
| 25    | F2099444    |      | TUBE DISCHARGE FORMED POST ACCUM  |
| 26    | K2099454    |      | BRACKET DRIER                     |
| 27    | 10743201    |      | DRIER, HI SIDE                    |



| Ref # | Part Number | Qty. | Description   |
|-------|-------------|------|---|
| 1     | G32912580   |      | GRILLE ASM SXS 48 FOL<br>FOR BREAKDOWN SEE PAGE 016 |
| 2     | PK920066    |      | SIDE TRIM   |
| 3     | 10916507    |      | TUBE-PROCESS GRN                                    |
| 4     | M0210458    |      | SCREW-SM  |
| 5     | PK910123    |      | SIDE TRIM - PRO                                     |
| 6     | 000152-002  |      | KICKPLATE, LWR                                      |
| 7     | C90910004BK |      | GRILLE TOE VENTED                                   |
| 8     | M0210443    |      | SCREW-E SM  |
| 9     | 40370P01    |      | NYLON FLAT WASHER V40370P01                         |
| NI    | G50915026   |      | GRILLE TOE ASM SXS 48                               |

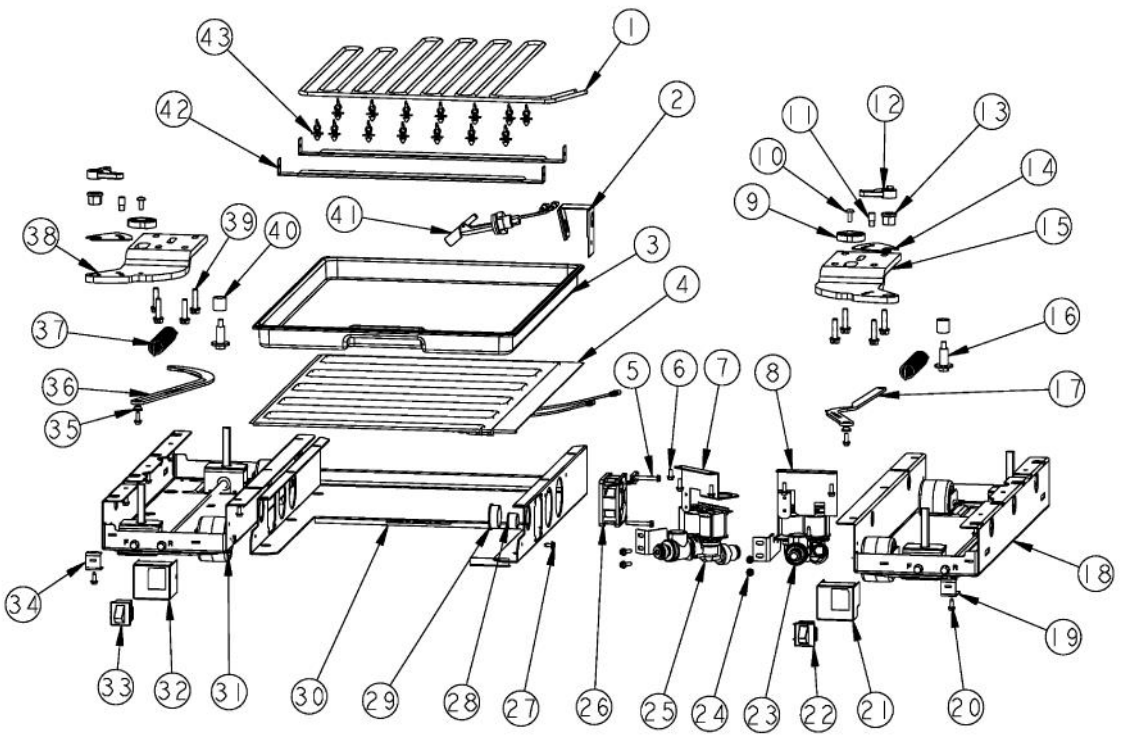


| Ref # | Part Number | Qty. | Description                                 |
|-------|-------------|------|---|
| 1     | K20910007   |      | MC TOP SXS 48                               |
| 2     | K2099460    |      | MC SIDE L                                   |
| 3     | K2099455    |      | SUPPORT MC Z                                |
| 4     | A3188348    |      | FOAM GASKET                                 |
| 5     | PB070355    |      | INSULATION MC COVER                         |
| 6     | PD020233    |      | SCR LAG 5/16-9 GX 5/16X7/16 WAF IHXW 3 S ZN |
| 7     | PD040157    |      | BEARING SLEEVE                              |
| 8     | K20910008   |      | MC BACK SXS 48                              |
| 9     | PB970171    |      | MC INSULATION - BACK SIDE                   |
| 10    | K2099459    |      | MC SIDE R                                   |
| 11    | A4554806    |      | BUSHING-SNAP VA4554806                      |
| 12    | K20915675   |      | BRACKET PSM                                 |
| 13    | PB070362    |      | INSULATION MC COVER                         |
| 14    | PC040010    |      | POP RIVET                                   |
| 15    | PB070363    |      | INSULATION MC COVER                         |
| 16    | PM910348    |      | ENP CAP GRILLE R                            |
| 17    | PM910072    |      | COVER - END CAP 12119802                    |
| 18    | M0215318    |      | SCREW-SM                                    |
| 19    | K2099470    |      | BRACKET GRILLE SUPPORT R                    |
| 20    | PM910366    |      | GRILLE LOWER SXS 48 DES                     |
| 21    | PM910365    |      | GRILLE CENTER SXS 48 DES                    |
| 22    | PD020194    |      | SCREW-SM                                    |
| 23    | PM910349    |      | END CAP GRILLE L                            |
| 24    | PM910071    |      | COVER - END CAP 12119801                    |
| 25    | K2099471    |      | BRACKET GRILLE SUPPORT L                    |
| 26    | PM910364    |      | GRILLE UPPER SXS 48 DES                     |
| 27    | PM910369    |      | GRILLE EXTENSION SXS 48 FO                  |
| 28    | PM910507    |      | GRILLE SPACER 48 FOL                        |
| 29    | PK050004    |      | BRACKET GRILLE                              |
| 30    | M0213147    |      | SCREW-SM                                    |
| 31    | K20915904   |      | CROSSMEMBER PSM 48                          |
| 32    | PM910084    |      | SUPPORT GRILLE 12201201                     |
| 33    | M0230028    |      | SCREW-TC                                    |
| 34    | M0224128    |      | SCREW-SM                                    |

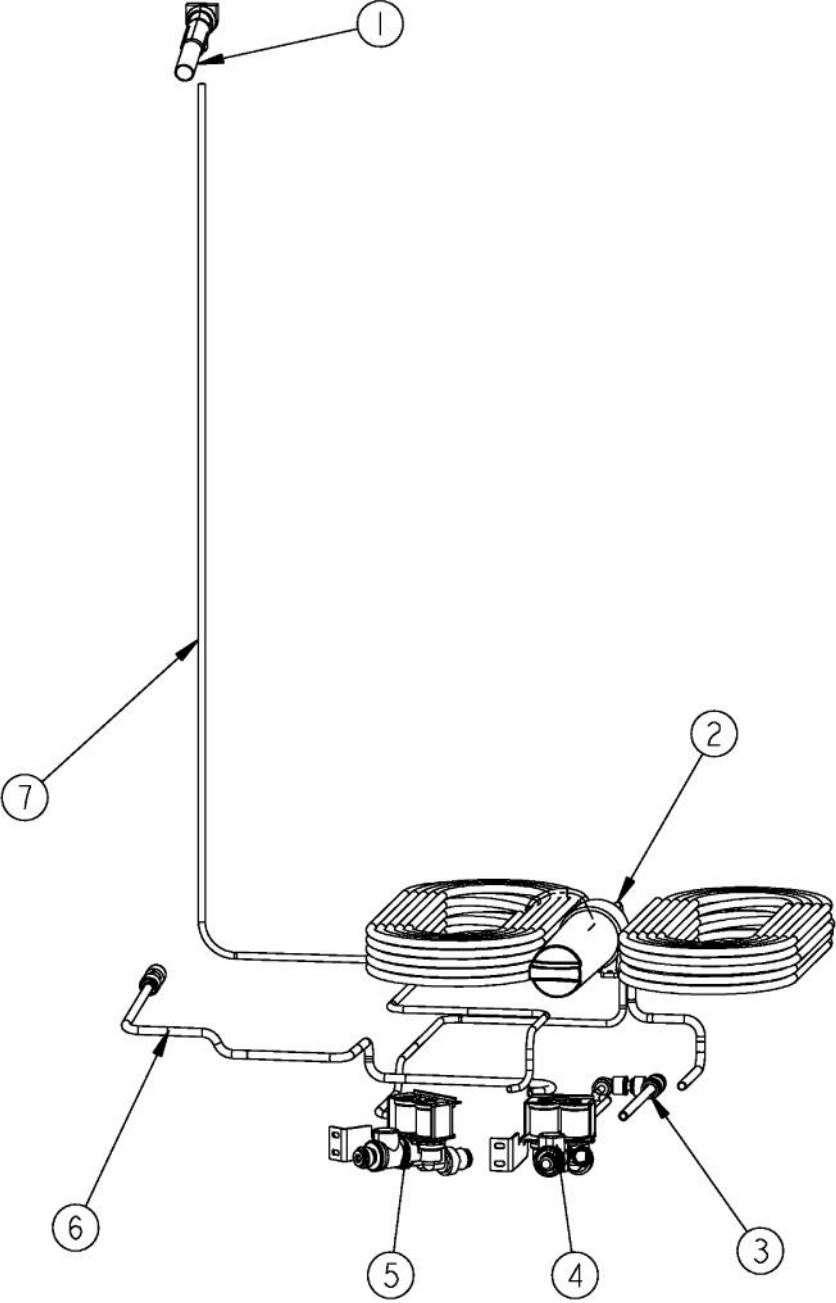




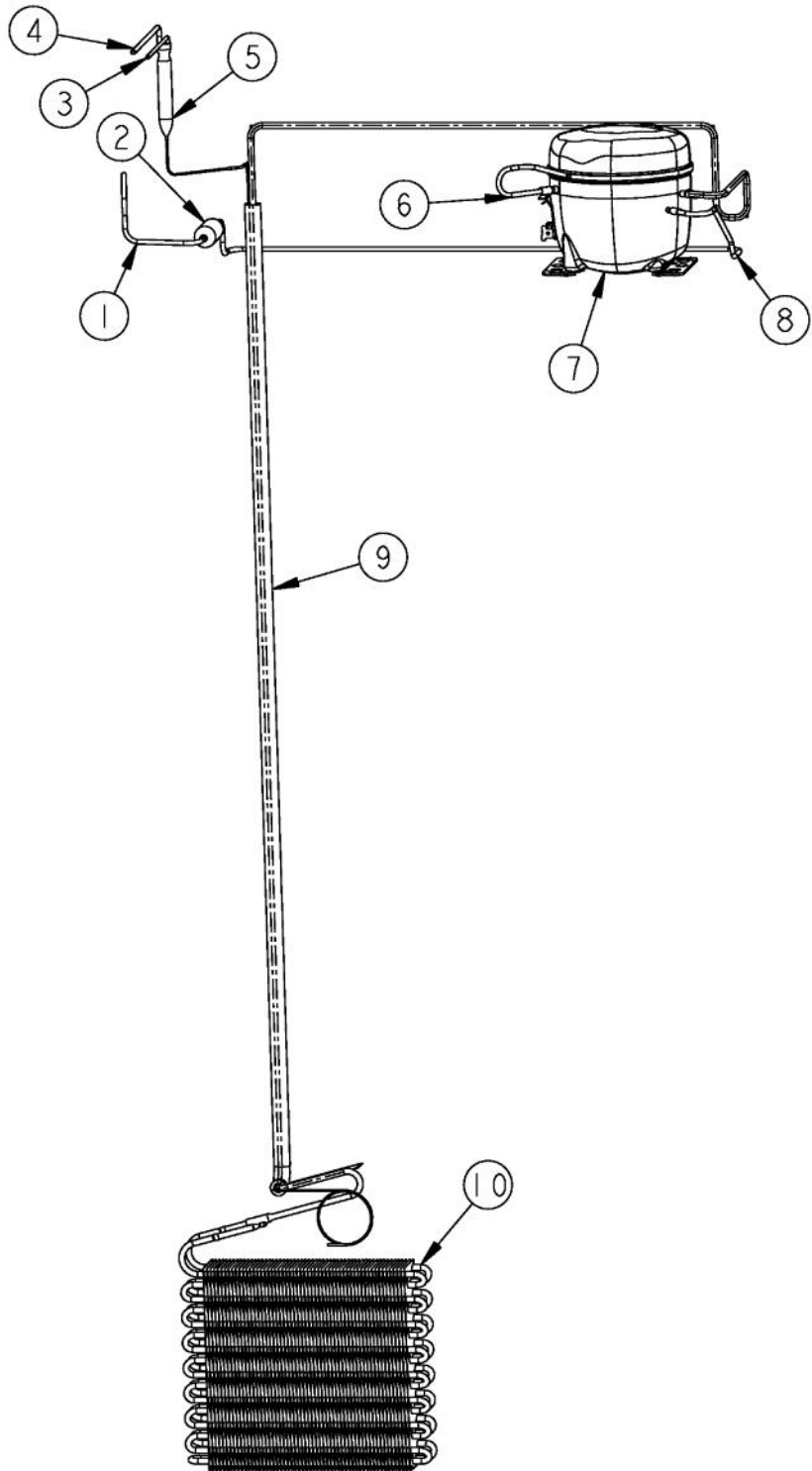
| Ref # | Part Number | Qty. | Description                   |
|-------|-------------|------|-------------------------------|
| 1     | G5098660    |      | FAN EVAP ASM                  |
| 2     | M0238859    |      | SCREW-SHLDR                   |
| 3     | K2096458    |      | BRKT-L-EVAP-FAN 12223102      |
| 4     | PB910259    |      | THERMOSTAT DEFROST TERMINATOR |
| 5     | K2096457    |      | BRKT-R-EVAP FAN 12223101      |
| 6     | A3189370    |      | GASKET-FOAM VA3189370         |
| 7     | PM910206    |      | EVAPORATOR SXS 48             |
| 8     | 10623003    |      | CLIP-EVAP                     |
| 9     | K2096456    |      | BRKT-EVAP CLIP 12215101       |
| 10    | K2096461    |      | BRKT-EVAP COVER 12234801      |
| 11    | PD020194    |      | SCREW-SM                      |
| 12    | 10527401    |      | CLIP-EVAP                     |
| 13    | 10428101    |      | CLIP-EVAP HTR V10428101       |
| 14    | A3030303    |      | GASKET                        |
| 15    | 10629001    |      | BLOCK-R AIR COIL RED          |
| 16    | PJ910031    |      | HEATER EVAP SXS               |
| 17    | A3030361    |      | GASKET, RED                   |



| Ref # | Part Number | Qty. | Description                          |
|-------|-------------|------|--------------------------------------|
| 1     | F20915693   |      | SERPENTINE CONDENSER DRAIN ALL SXS`S |
| 2     | B20915627   |      | BRACKET HORIZ FLOAT SWITCH           |
| 3     | PK930348    |      | PAN DRAIN                            |
| 4     | G50914125   |      | TRAY PAN HEATER                      |
| 5     | PD020274    |      | SCR SLTD HEX WSHR HD 8X1.250 BT      |
| 6     | PD020010    |      | 10 X 3/8 GREEN GROUNDING SCREW       |
| 7     | K20914175   |      | BRACKET, DUAL VALVE, J.G. INLET      |
| 8     | K20913790   |      | BRKT VALVE H2O DUAL                  |
| 9     | PM010602    |      | CAM DOOR ADJUSTMENT                  |
| 10    | PD020234    |      | SCREW THP 10-32 X .500 SS BO         |
| 11    | PC930145    |      | DOOR STOP PIN                        |
| 12    | PD940091    |      | BUSHING - DOOR STOP                  |
| 13    | PD940090    |      | BUSHING - WC DOOR LEVEL              |
| 14    | PC920144    |      | PLATE - WC DOOR SHIM                 |
| 15    | PC920215    |      | HINGE PLATE SXS LR                   |
| 16    | M0221523    |      | SCREW - SHLDR                        |
| 17    | PC920166    |      | BAR-WC BOT HINGE RH                  |
| 18    | PM910398    |      | LEVELER ASSEMBLY - R                 |
| 19    | K2098044    |      | BRKT GRILLE SUPPORT                  |
| 20    | PD020194    |      | SCREW-SM                             |
| 21    | 002667-000  |      | SWITCH,GRILLE,MT,RH                  |
| 22    | PE950147    |      | SWITCH SPST NC BLACK                 |
| 23    | PA070014    |      | VALVE WATER DOUBLE COMP. INLET       |
| 24    | M0220417    |      | SCREW-TC                             |
| 25    | PA970010    |      | SUB TO G50911843 - VALVE WATER       |
| 26    | 000731-000  |      | AXIAL FAN                            |
| 27    | M0253916    |      | SCREW-TF                             |
| 28    | A4554806    |      | BUSHING-SNAP VA4554806               |
| 29    | A4554817    |      | BUSHING-SNAP VA4554817               |
| 30    | K20915952   |      | SHIELD BOTTOM DRAIN                  |
| 31    | PM910399    |      | LEVELER MODULE L                     |
| 32    | 002668-000  |      | SWITCH,GRILLE,MT,LH                  |
| 33    | PE950146    |      | SWITCH SPDT BLACK                    |
| 34    | K2098096    |      | BRKT GRILLE SUPPORT                  |
| 35    | PD940094    |      | BUSHING                              |
| 36    | PC920149    |      | BAR-WC BOT HINGE LH                  |
| 37    | PC910015    |      | SPRING EXTENSION                     |
| 38    | PC020289    |      | HINGE PLATE LL                       |
| 39    | 000570-000  |      | HEX SCREW                            |
| 40    | PD940107    |      | ROUND SPRING SPACER                  |
| 41    | PE050248    |      | FLOAT SWITCH HORIZONTAL              |
| 42    | K20911831   |      | BRACKET CONDENSATE SUPPORT           |
| 43    | PD030146    |      | STAND OFF LOCK CLIP                  |



| Ref # | Part Number | Qty. | Description                            |
|-------|-------------|------|--|
| 1     | G5096419    |      | FILL TUBE ASSY 10942511                |
| 2     | PA030019    |      | FILTER/COIL TUBE ASM                   |
| 3     | PB020322    |      | TUBE AND FITTING ASM                   |
| 4     | PA070014    |      | VALVE WATER DOUBLE COMP. INLET         |
| 5     | PA970010    |      | SUB TO G50911843 - VALVE WATER         |
| 6     | PB020294    |      | TUBE ASM-DOOR TO VALVE                 |
| 7     | PB020303    |      | PLASTIC TUBING-IM WATERLINE SXS DISP   |
| NI    | PB020302    |      | PLASTIC TUBING-DOOR WATERLINE SXS DISP |

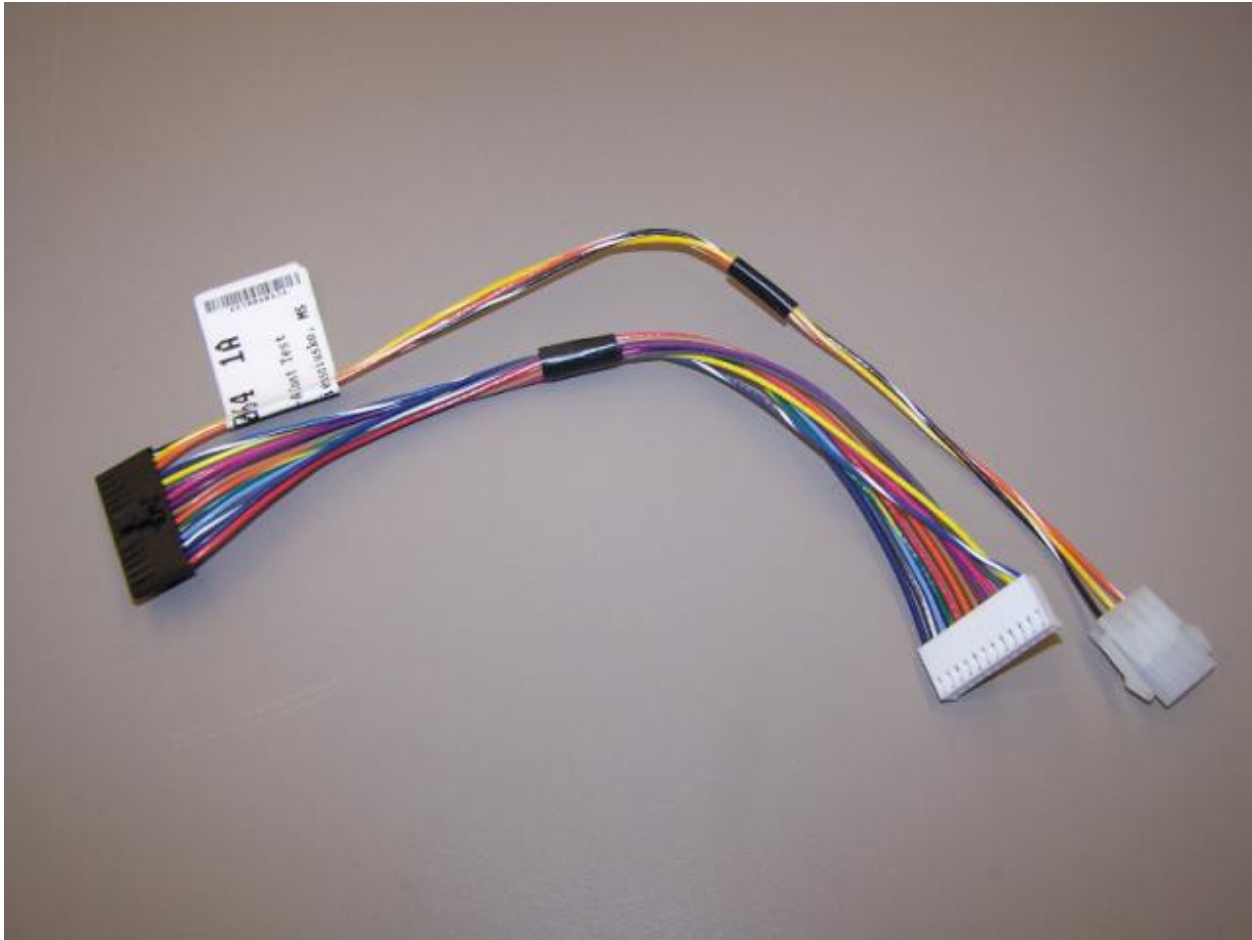


| Ref # | Part Number | Qty. | Description                       |
|-------|-------------|------|-----------------------------------|
| 1     | F2099444    |      | TUBE DISCHARGE FORMED POST ACCUM  |
| 2     | PB920201    |      | ACCUMULATOR                       |
| 3     | F2096504    |      | TUBE-DRIER EXT                    |
| 4     | F2097740    |      | TUBE PROCESS                      |
| 5     | 10743201    |      | DRIER, HI SIDE                    |
| 6     | F2096507    |      | TUBE-PROCESS GRN                  |
| 7     | G5097976    |      | COMPRESSOR ASSEMBLY (363 AND 483) |
| 8     | F2099443    |      | TUBE DISCHARGE FORMED PRE ACCUM   |
| 9     | F20910021   |      | HEAT EXCHANGER ASM SXS 48         |
| 10    | PM910206    |      | EVAPORATOR SXS 48                 |

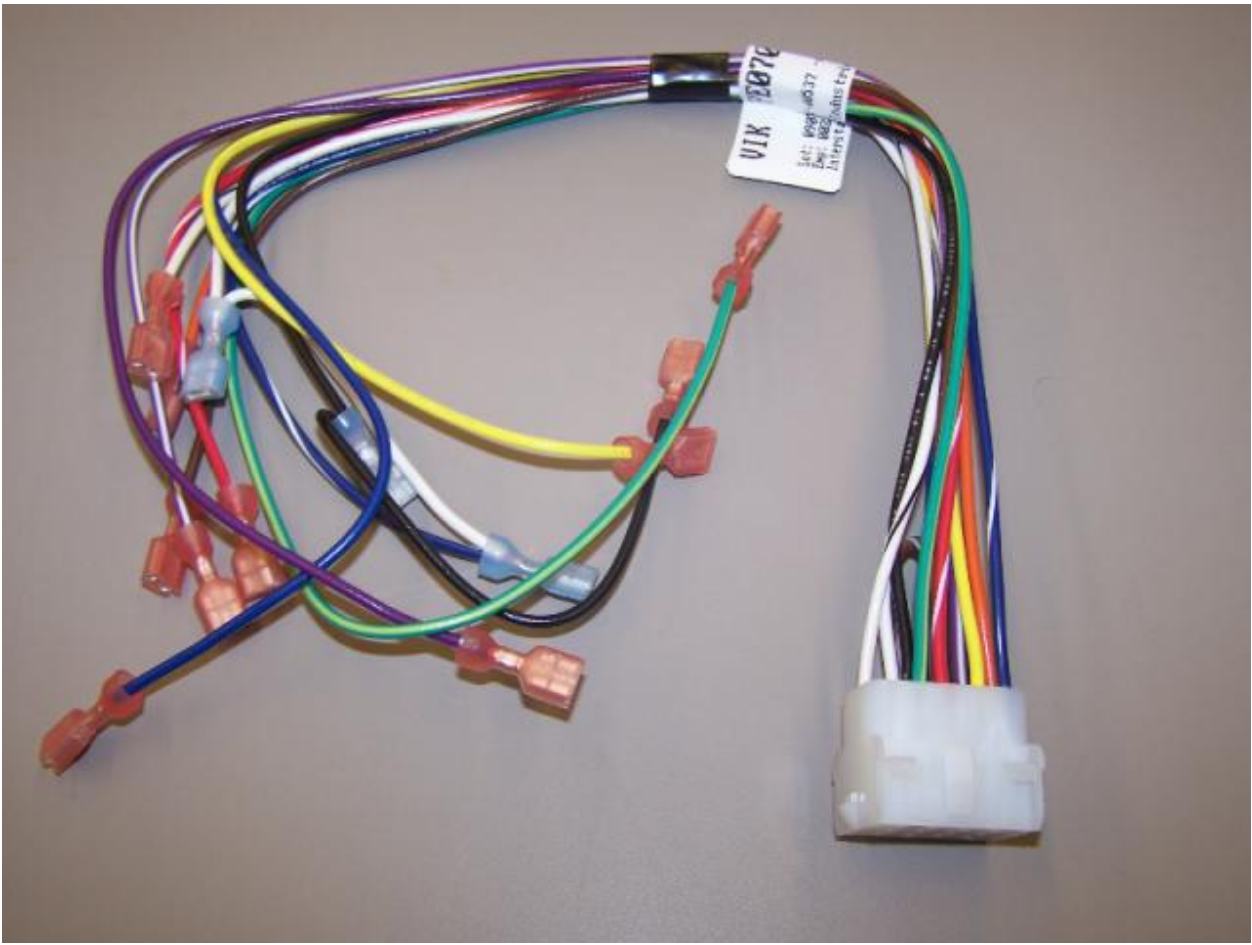




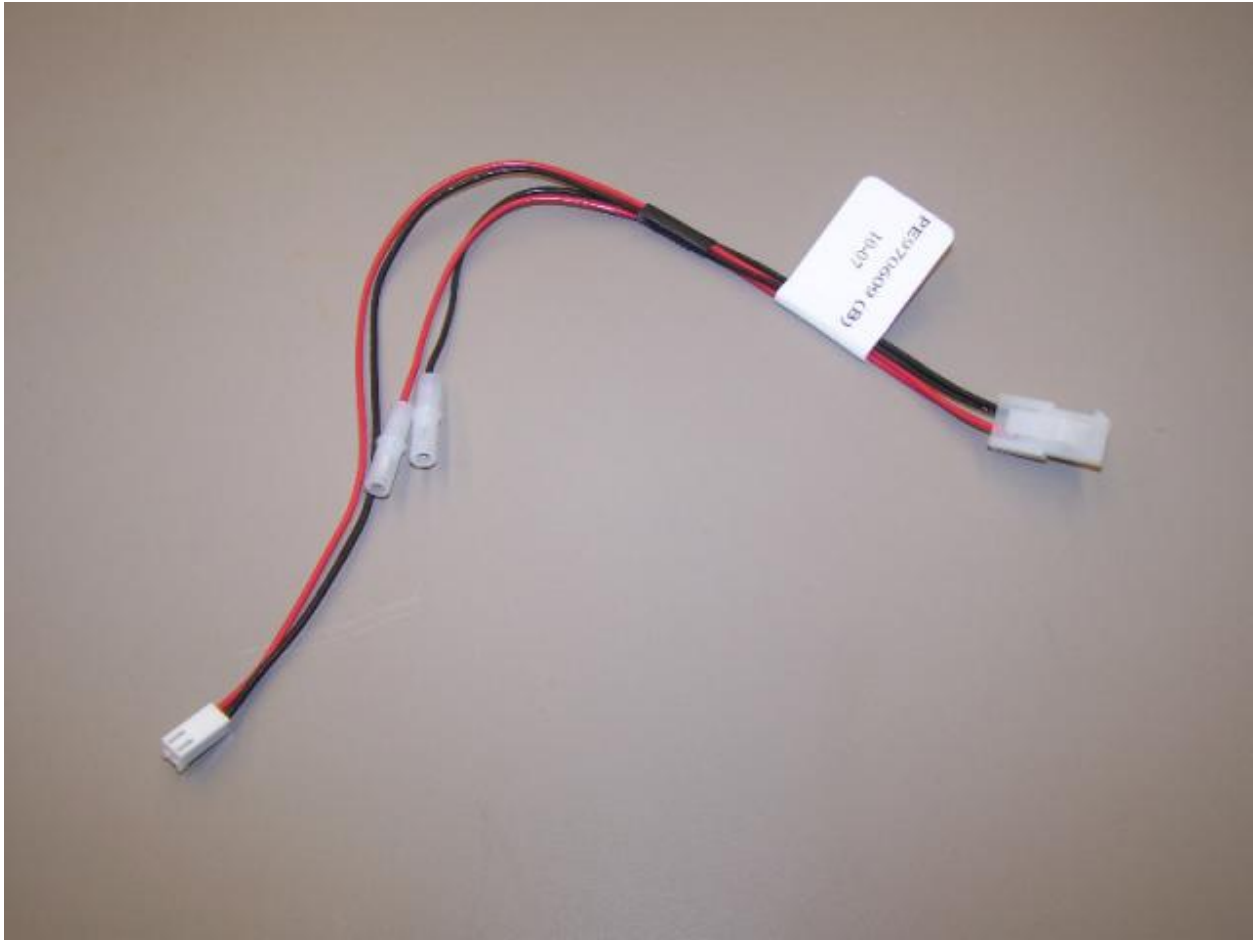
| Ref # | Part Number | Qty. | Description      |
|-------|-------------|------|------------------|
| 1     | PE970595    |      | HARNESS MACH SXS |



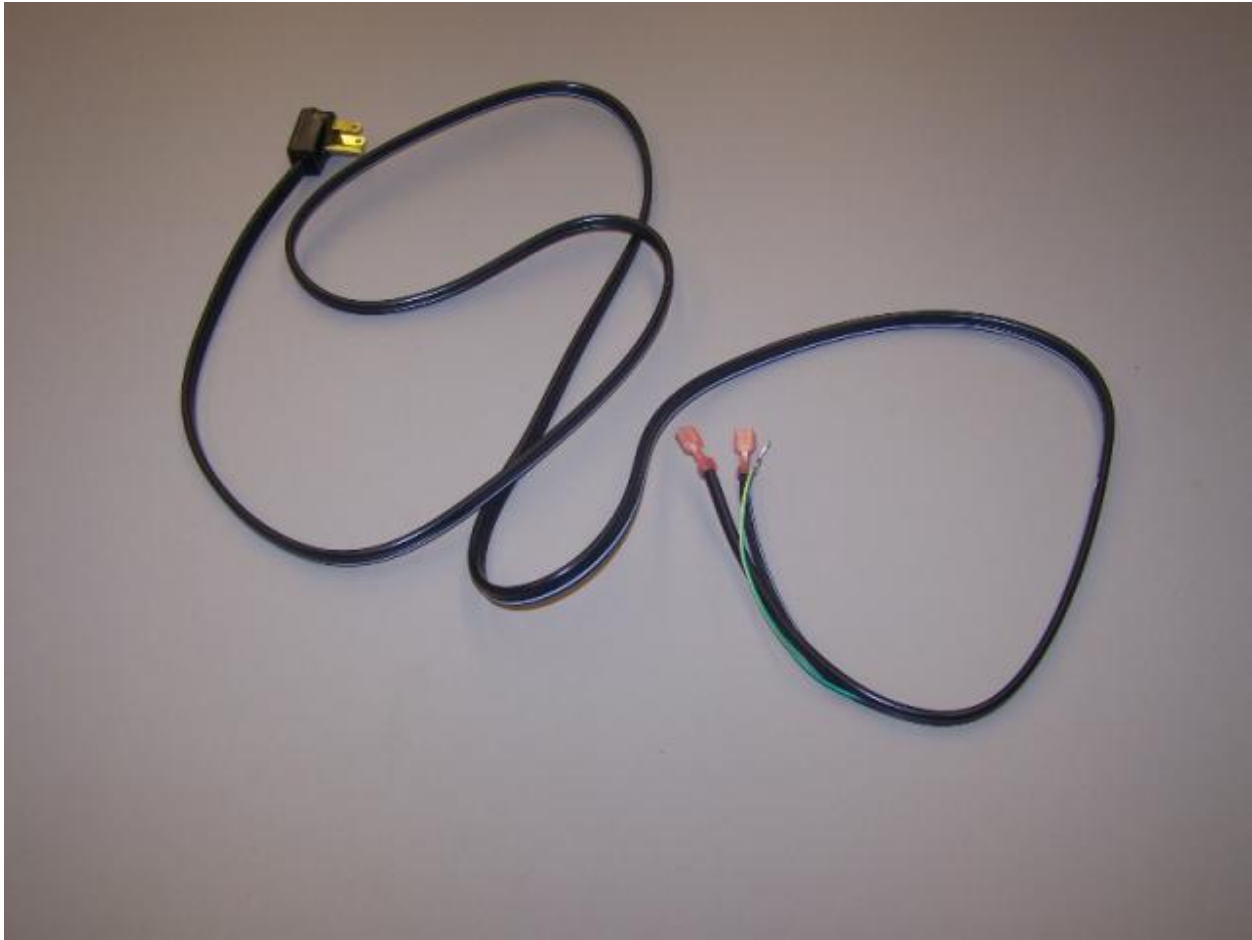
| Ref # | Part Number | Qty. | Description      |
|-------|-------------|------|------------------|
| 1     | PE970464    |      | HARNESS LOW VOLT |



| Ref # | Part Number | Qty. | Description       |
|-------|-------------|------|-------------------|
| 1     | PE070785    |      | HARNESS HIGH VOLT |



| Ref # | Part Number | Qty. | Description           |
|-------|-------------|------|-----------------------|
| 1     | PE970609    |      | HARNESS CONTROL BOARD |





| Ref # | Part Number | Qty. | Description      |
|-------|-------------|------|------------------|
| 1     | 10916507    |      | TUBE-PROCESS GRN |

*No Image  
Available*

| Ref # | Part Number | Qty. | Description                 |
|-------|-------------|------|-----------------------------|
| 1     | 040078-000  | 1    | HARNESS, JUMPER DISP CAVITY |

*No Image  
Available*

| Ref # | Part Number | Qty. | Description          |
|-------|-------------|------|----------------------|
| 1     | 040066-000  | 1    | HARNESS JUMPER LOWER |

*No Image  
Available*

| Ref # | Part Number | Qty. | Description   |
|-------|-------------|------|---------------|
| 1     | 040085-000  | 1    | HARNESS, MAIN |