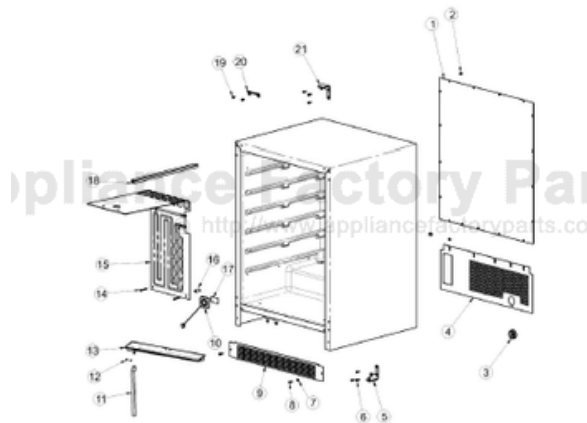


This Owner's Manual is provided and hosted by [Appliance Factory Parts](http://www.appliancefactoryparts.com).



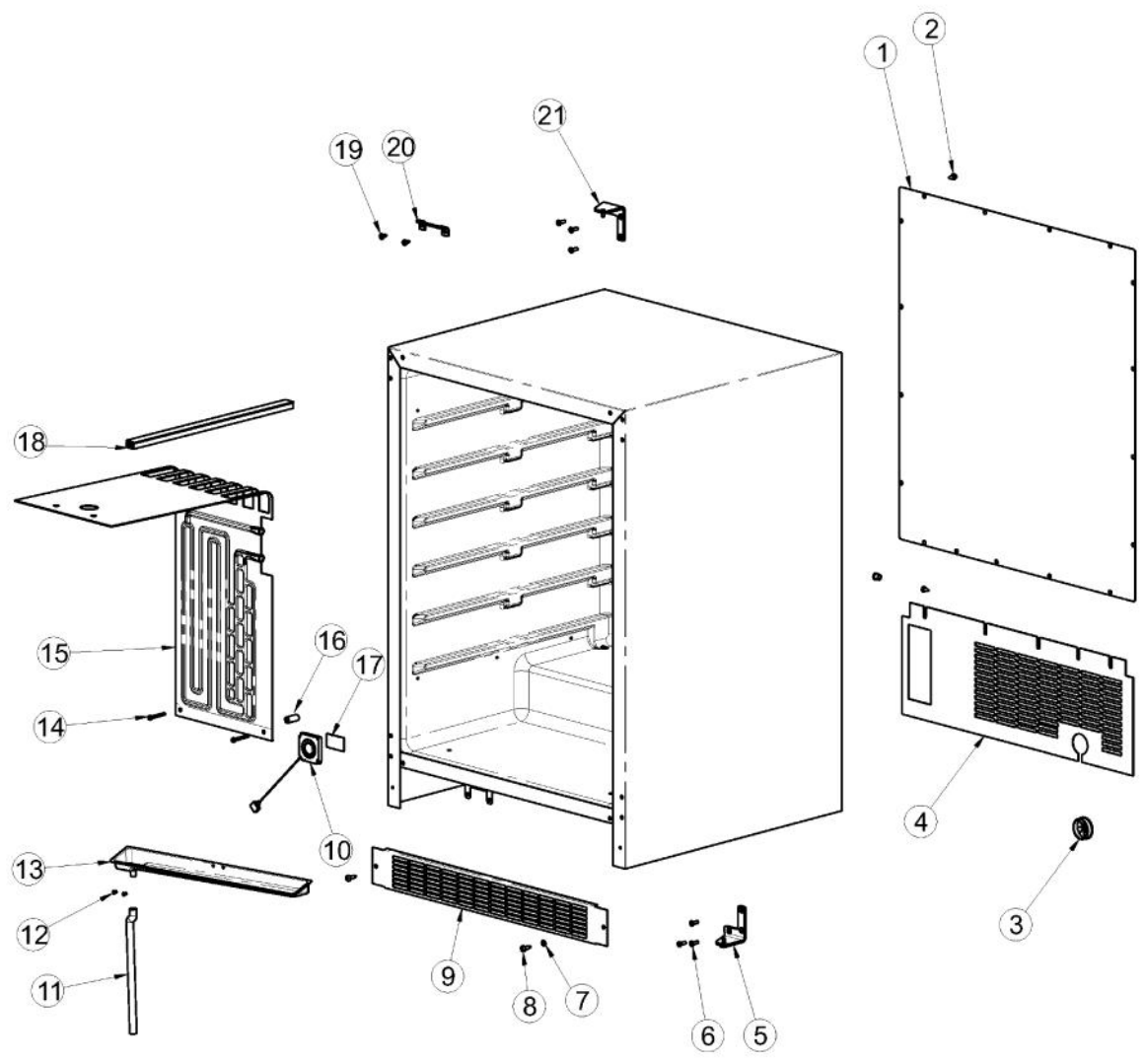
VIKING DFUW144 Owner's Manual

[Shop genuine replacement parts for VIKING DFUW144](#)

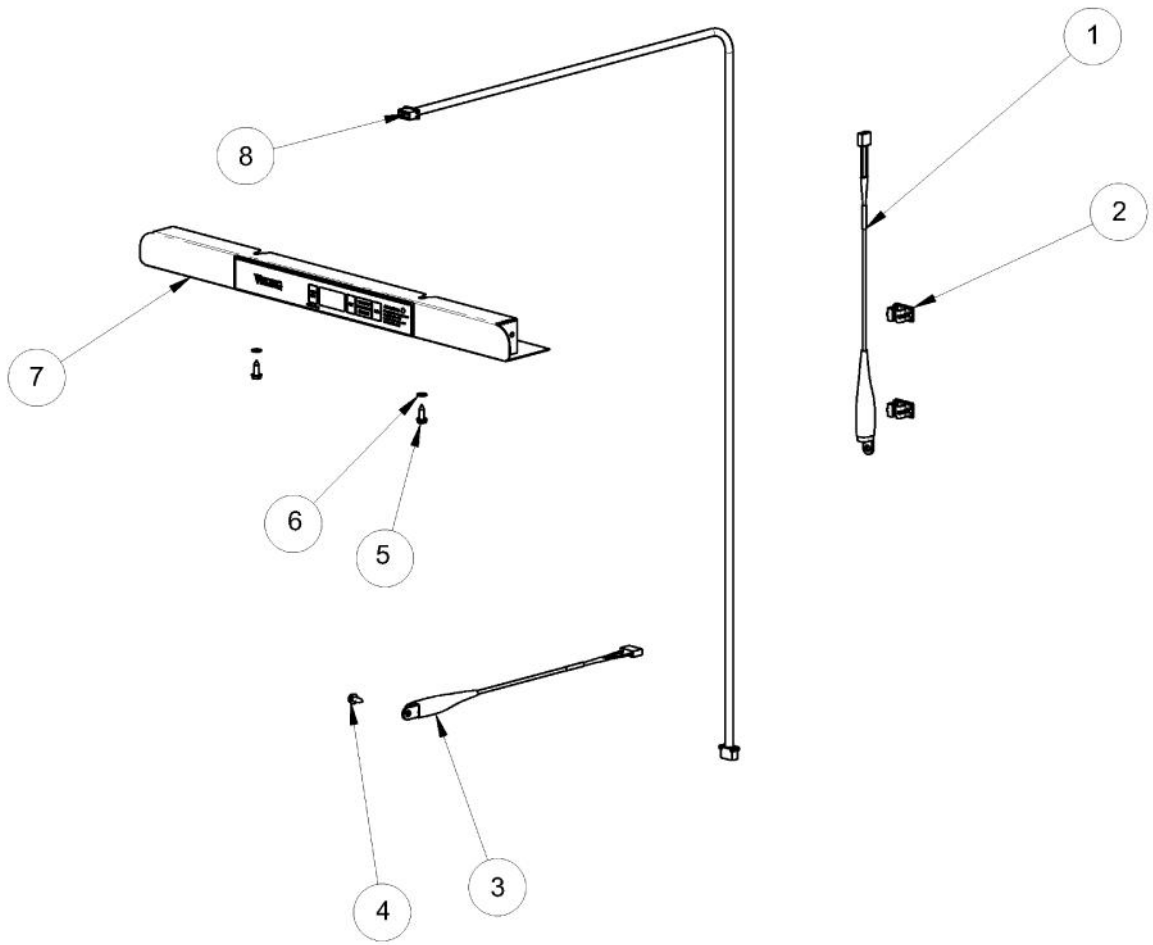


[Find Your VIKING Refrigerator Parts - Select From 341 Models](#)

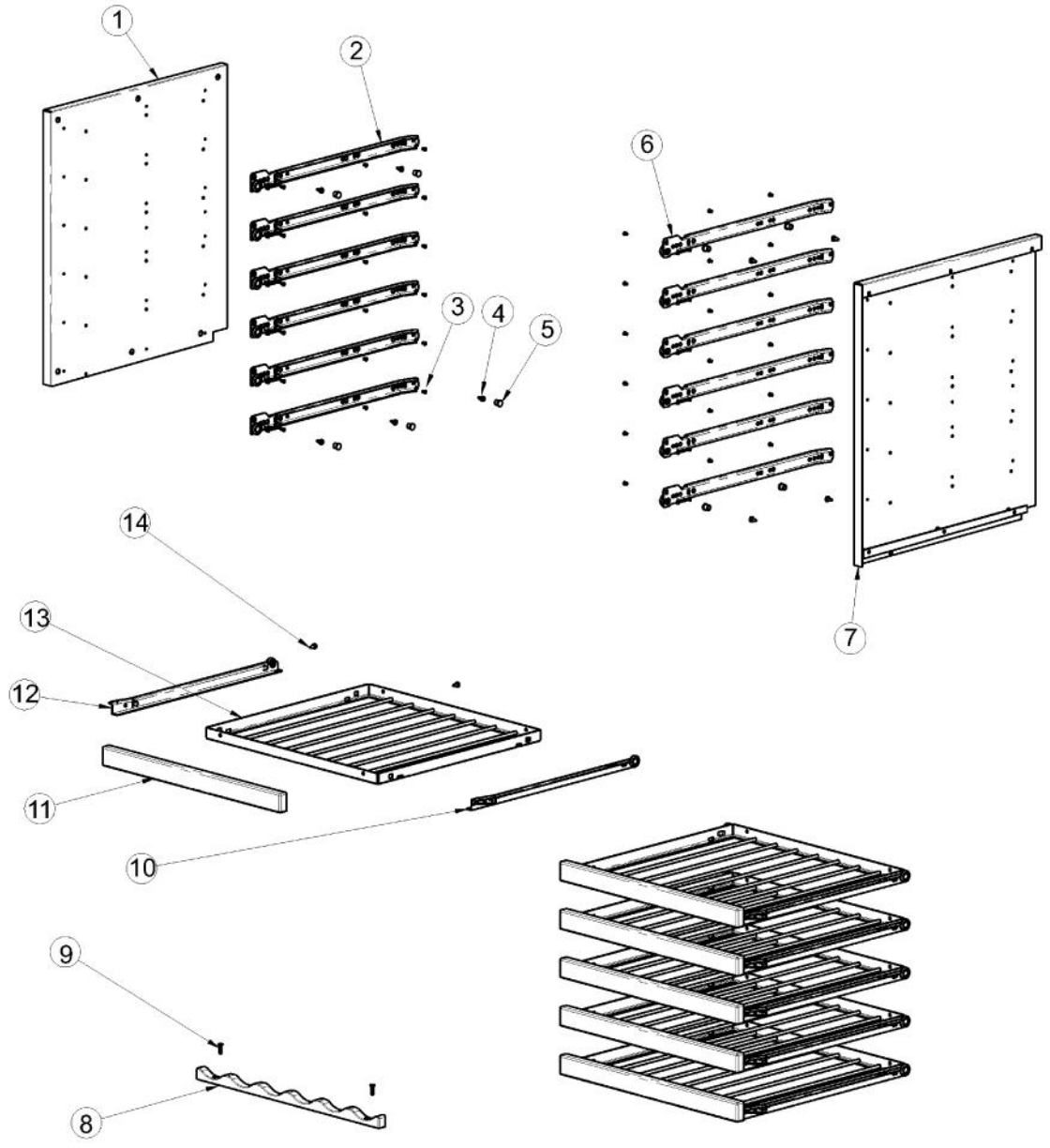
----- Manual continues below -----



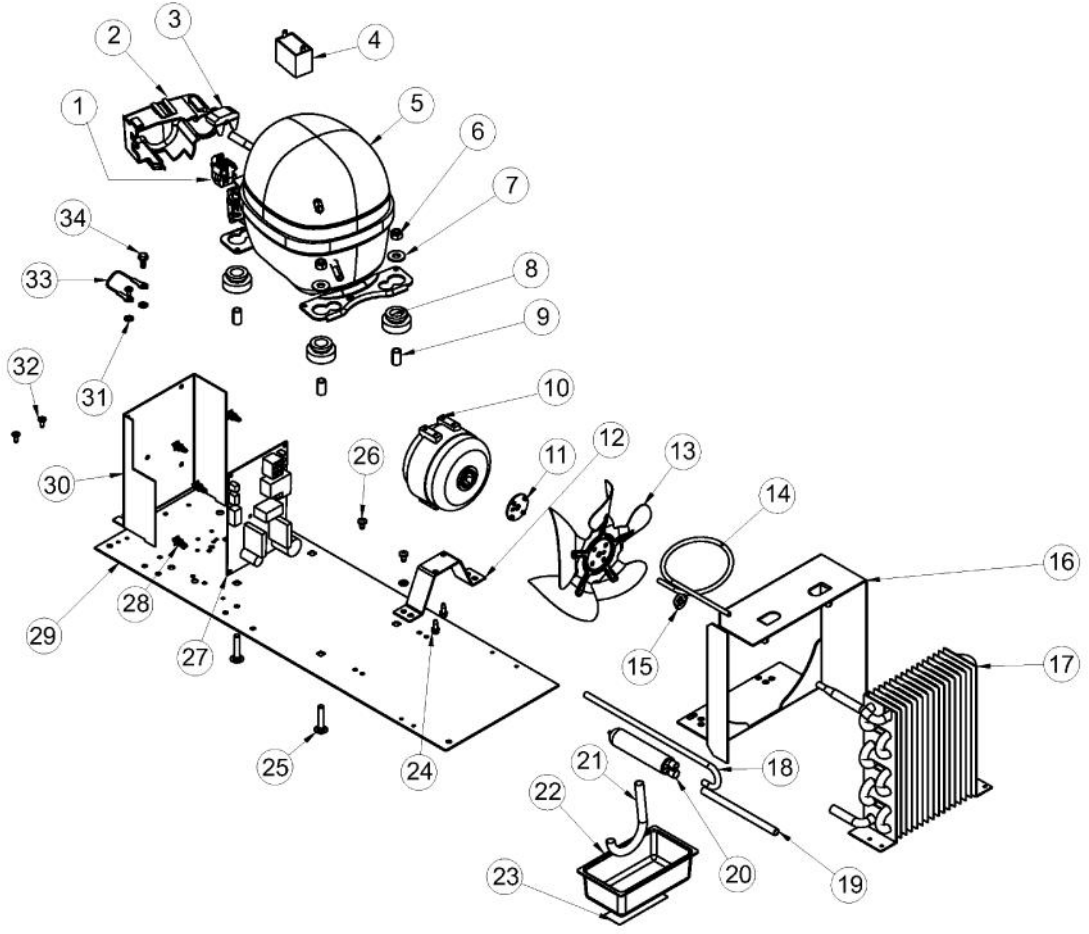
| Ref # | Part Number | Qty. | Description |
|-------|-------------|------|---|
| 1 | 009926-000 | 1 | BACK PANEL SERV ASM |
| 2 | 009924-000 | 17 | WASHER HD SCREW - ZN |
| 3 | 009487-000 | 1 | BUSHING |
| 4 | 010073-000 | 1 | BACK SHROUD - GS |
| 5 | 010702-000 | 1 | STANDARD HINGE, RIGHT BOTTOM, CHROME |
| 6 | 010236-000 | 6 | 10-32 X 3/4? PHILLIPS COUNTERSUNK SCREW, ZN |
| 7 | 010069-000 | 2 | LOCK WASHER |
| 8 | 009489-000 | 2 | NO.12 X 3/4 TYPE AB PHILLIPS SCREW, BLACK |
| 9 | PS100115 | 1 | LOUVERED GRILLE SERV ASM - BK |
| 9 | 010070-000 | 1 | LOUVERED GRILLE, SS |
| 10 | 010246-000 | 1 | EVAPORATOR FAN |
| 11 | PW240045 | 1 | SERV. ASSY BLACK DRAIN TUBE 42244609 |
| 12 | PW200019 | 2 | POP RIVET |
| 13 | PS100083 | 1 | DRIP TRAY, BLACK 142 WC 42244429 |
| 14 | PW200007 | 2 | SCREW, EVAPOR. (VUWC140)X 08204902 |
| 15 | PW240046 | 1 | 141 SERIES BLACK EVAP ASSY (42244920) |
| 16 | 010028-000 | 2 | 1 SPACER - BK |
| 17 | 010245-000 | 1 | DOUBLEE SIDED TAPE, 1.75 |
| 18 | 009894-000 | 1 | WIRE CONDUIT |
| 19 | 010698-000 | 2 | SCREW, NO.10 X .5 ZN |
| 20 | PW220015 | 1 | LOCK CATCH BRACKET (BLACK) |
| 21 | 010695-000 | 1 | STANDARD HINGE, RIGHT TOP, CHROME |
| NI | PW240044 | 2 | VUAR/DUAR141 AURA LIGHT |
| NI | 010031-000 | 4 | LEVELING LEG |



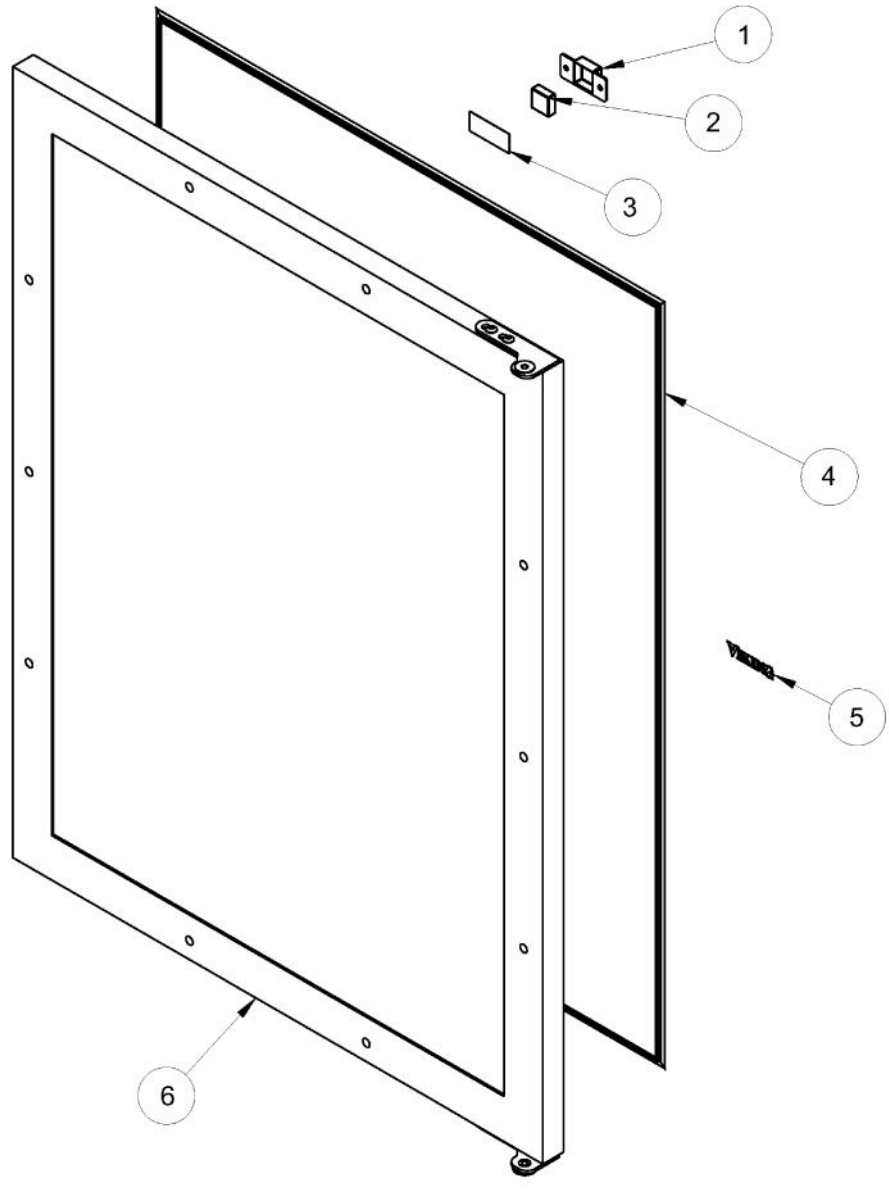
| Ref # | Part Number | Qty. | Description |
|-------|-------------|------|--------------------------------------|
| 1 | 009483-000 | 1 | EVAPORATOR TEMPERATURE THERMISTOR |
| 2 | 007640-000 | 2 | PLASTIC WIRE CLIP |
| 3 | 009484-000 | 1 | DISPLAY TEMPERATURE THERMISTOR |
| 4 | 010057-000 | 1 | SCREW, NO.6-20 X .75 SS |
| 5 | 009485-000 | 2 | MACHINE SCREW - SS |
| 6 | 009486-000 | 2 | NO.10 EXTERNAL TOOTH STAR WASHER, SS |
| 7 | 028595-000 | 1 | DISPLAY ASM BK, 24 WC GLASS DR. |
| 8 | 009482-000 | 1 | COMMUNICATION CABLE |



| Ref # | Part Number | Qty. | Description |
|-------|-------------|------|---|
| 1 | 010229-000 | 1 | LINER SHIELD, LH - BL |
| 2 | 010226-000 | 6 | CABINET SIDE, LH - BK |
| 3 | 010039-000 | 36 | RIVET, 1/8 STEEL |
| 4 | 009848-000 | 12 | WALL CORNER PAD |
| 5 | 010228-000 | 4 | BUSHING 2620 |
| 6 | 010242-000 | 1 | SHELF SLIDE, RH - BL |
| 7 | 010241-000 | 1 | LINER SHIELD, RH - BL |
| 8 | PW210046 | 1 | 141 SERIES LOWER BOTTLE CRADLE |
| 9 | 010236-000 | 2 | 10-32 X 3/4? PHILLIPS COUNTERSUNK SCREW, ZN |
| 10 | 010235-000 | 6 | SHELF SLIDED, RH - BK |
| 11 | 010233-000 | 1 | FRONT NATURAL WOOD |
| 12 | 010232-000 | 6 | SHELF SLIDE, LH - BK |
| 13 | 010231-000 | 6 | RACK - BL |
| 14 | 010230-000 | 12 | SCREW, NO.8 X 1/2 PH PAN HEAD |



| Ref # | Part Number | Qty. | Description |
|-------|-------------|------|--|
| 1 | PS100021 | 1 | PTC RELAY (42245131) 152 WC |
| 2 | 009507-000 | 1 | RELAY COVER |
| 3 | PS100020 | 1 | OVERLOAD (42245133) 152 WC |
| 4 | PS100023 | 1 | RUN CAPACITOR (42245134) 152 WC |
| 5 | 008167-000 | 1 | TRIM SCREWS SS (PACKAGE OF 6) |
| 6 | PW200017 | 3 | LOCK NUT .25-.20 UNC |
| 7 | PW200018 | 3 | .312 ID FLAT WASHER |
| 8 | 010208-000 | 4 | SLEEVE (INCLUDED WITH COMPRESSOR) |
| 9 | 010209-000 | 4 | SLEEVE (INCLUDED WITH COMPRESSOR) |
| 10 | PW240005 | 1 | FAN/MTR ASSY COMPLETE VUWC |
| 11 | PW240005 | 1 | FAN/MTR ASSY COMPLETE VUWC |
| 12 | PW240005 | 1 | FAN/MTR ASSY COMPLETE VUWC |
| 13 | PW200037 | 1 | FAN BLADE |
| 14 | 007638-000 | 1 | COPPER TUBING |
| 15 | PW240005 | 1 | FAN/MTR ASSY COMPLETE VUWC |
| 16 | PW210013 | 1 | FAN SHROUD (VUWC140) 42241349 |
| 17 | PW300159 | 1 | CONDENSER ASSY |
| 18 | 009808-000 | 1 | COPPER TUBE (42247551) |
| 19 | 009810-000 | 1 | DRYER TUBE |
| 20 | PW240003 | 1 | DRIER ASSY VUWC140 |
| 21 | PW220009 | 1 | DRAIN TUBE J-TRAP (42242901) |
| 22 | PW210014 | 1 | DRIP PAN ASSY. (VUWC140)X42242055 |
| 23 | 010079-000 | 1 | TAPE - WH |
| 24 | 009509-000 | 2 | NO.8-36 SCREW |
| 25 | PW200023 | 4 | CARRIAGE BOLT |
| 26 | PW200021 | 4 | SCREW |
| 27 | 009511-000 | 1 | ELECTRONIC CONTROL BOARD |
| 28 | 009513-000 | 5 | STANDOFF |
| 29 | PW210011 | 1 | BASEPLATE (VUWC140) |
| 30 | 009514-000 | 1 | CONTROL BOARD MOUNTING BRACKET |
| 31 | PW200029 | 4 | SCREW |
| 32 | PW300274 | 2 | WASHER, INDOOR |
| 33 | PW300137 | 1 | GROUND WIRE (VUIM150) |
| 34 | 009515-000 | 1 | NO.10-32 X 1/2 HEX WASHER HEAD SCREW |
| NI | 003835-000 | 1 | NO.6-20 X 1/2? PHILLIPS PAN HEAD SCREW, SS |



| Ref # | Part Number | Qty. | Description |
|-------|-----------------|------|------------------------------------|
| 1 | 010216-000 | 1 | DOOR SWITCH MAGNET RETAINER |
| 2 | 009759-000 | 1 | DOOR SWITCH MAGNET |
| 3 | 009762-000 | 1 | 3M TAPE, 1.75 |
| 4 | PW230124 | 1 | MAGNETIC GASKET, BLACK |
| 5 | 010009-000 | 1 | DOOR LOGO |
| 6 | NOT REPLACEABLE | | OVEN CAVITY (NOT REPLACEABLE PART) |
| | NOT REPLACEABLE | | OVEN CAVITY (NOT REPLACEABLE PART) |
| | NOT REPLACEABLE | | OVEN CAVITY (NOT REPLACEABLE PART) |
| | NOT REPLACEABLE | | OVEN CAVITY (NOT REPLACEABLE PART) |
| NI | 010672-000 | 1 | DOOR ASSEMBLY - RT W/LOGO |
| | 010041-000 | 1 | DOOR ASSEMBLY - RT W/LOGO |
| | 010673-000 | 1 | DOOR ASSEMBLY - LT W/LOGO |
| | 010042-000 | 1 | DOOR ASSEMBLY - LT W/LOGO |
| | 010674-000 | 1 | DOOR ASSEMBLY - RT |
| | 010043-000 | 1 | DOOR ASSEMBLY - RT |
| | 010675-000 | 1 | DOOR ASSEMBLY - LT |
| | 010044-000 | 1 | DOOR ASSEMBLY - LT |