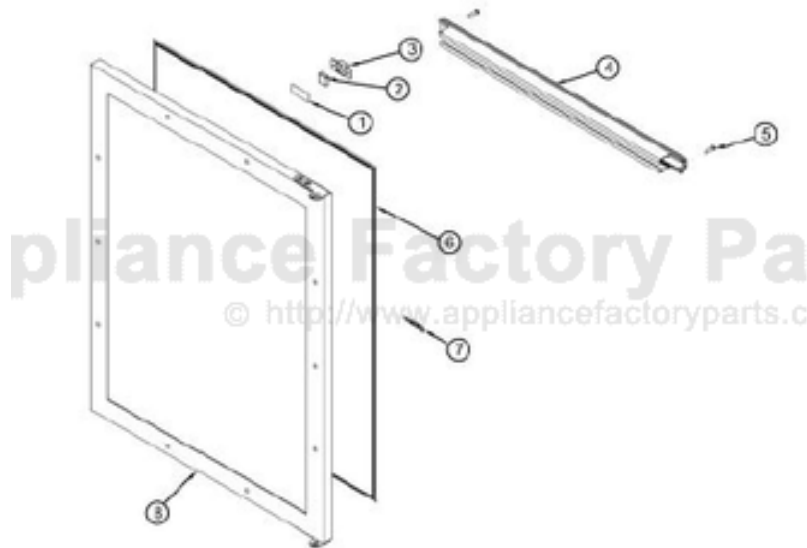


This Owner's Manual is provided and hosted by [Appliance Factory Parts](#).



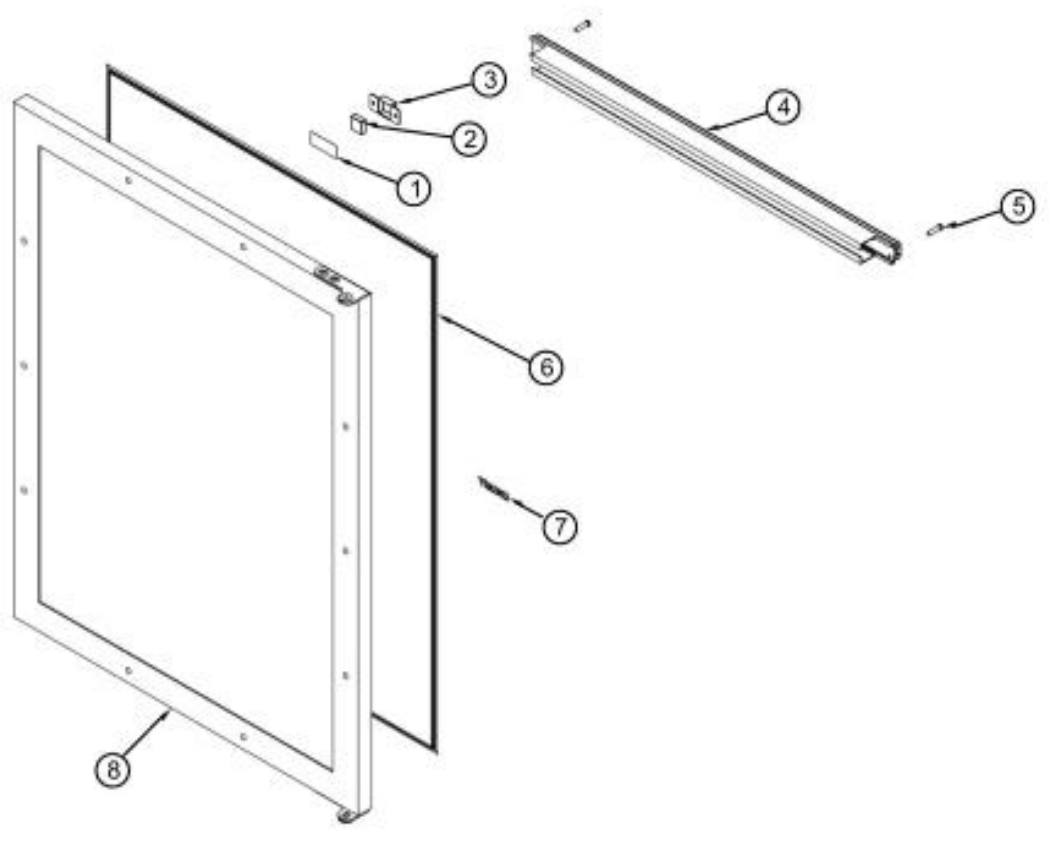
VIKING DFUW244_REV.B_ Owner's Manual

[Shop genuine replacement parts for VIKING
DFUW244_REV.B](#)

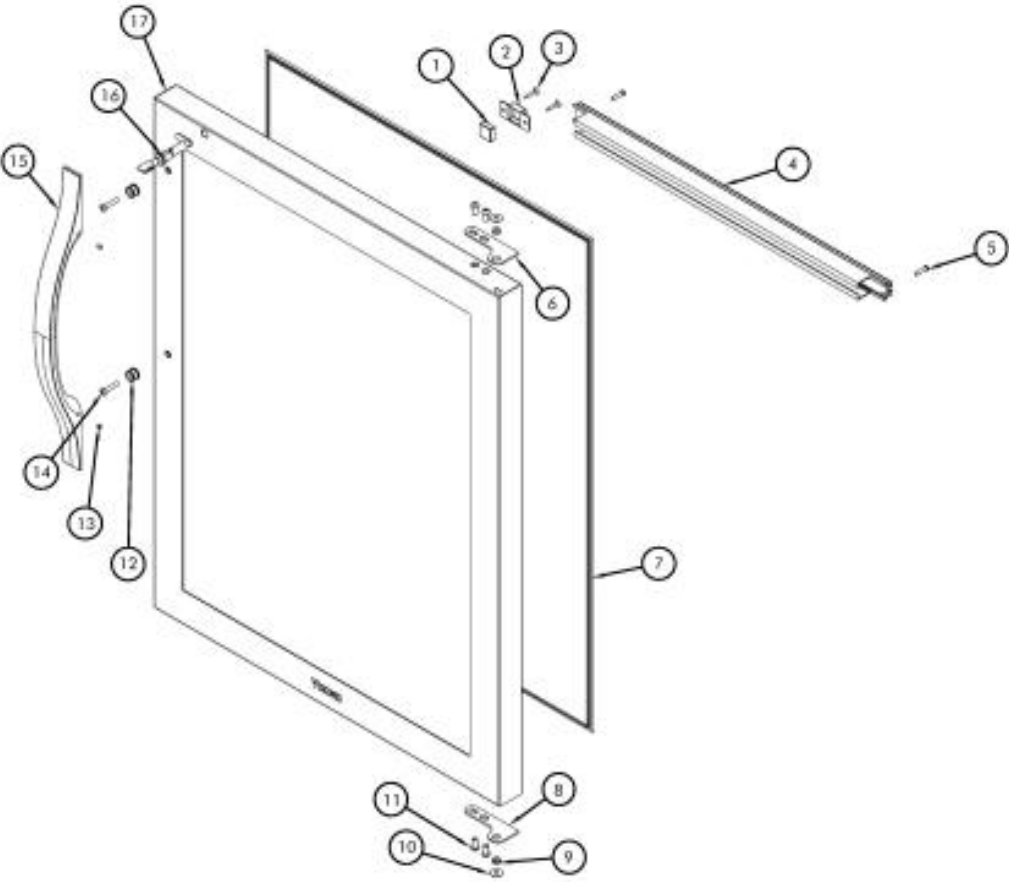


[Find Your VIKING Refrigerator Parts - Select From 341 Models](#)

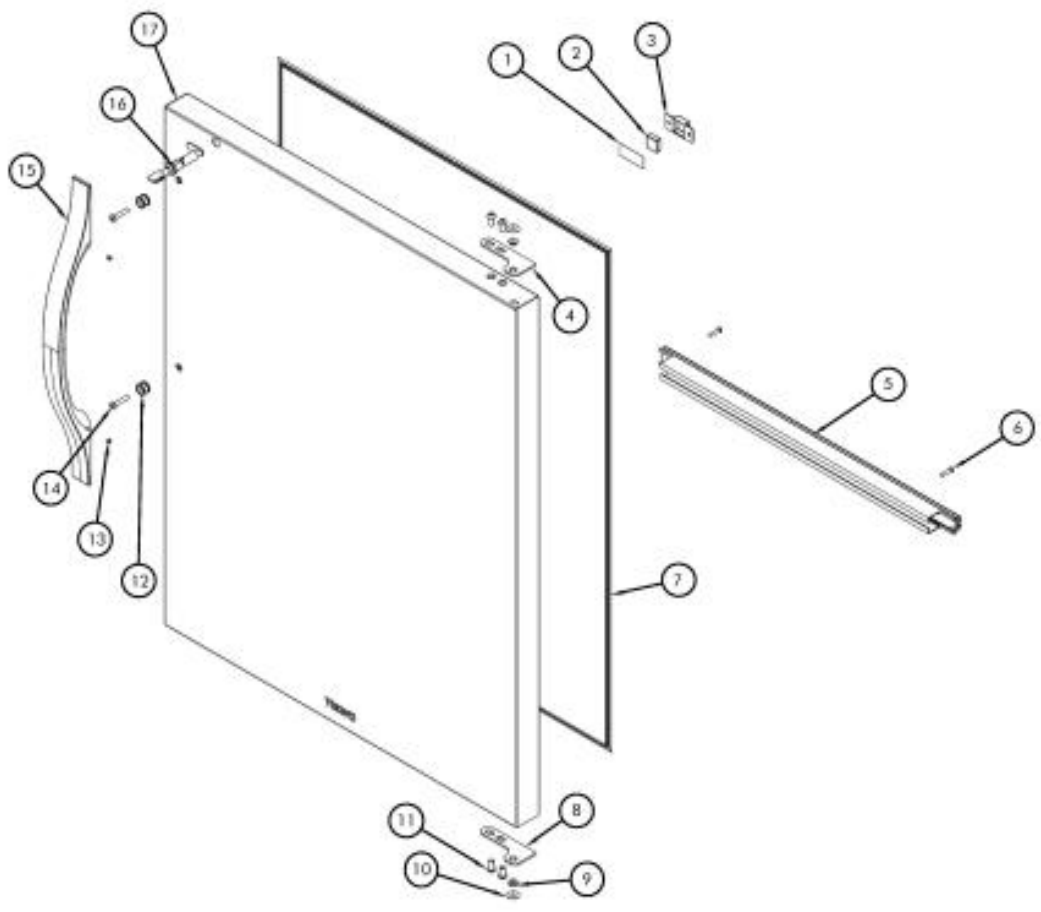
----- Manual continues below -----



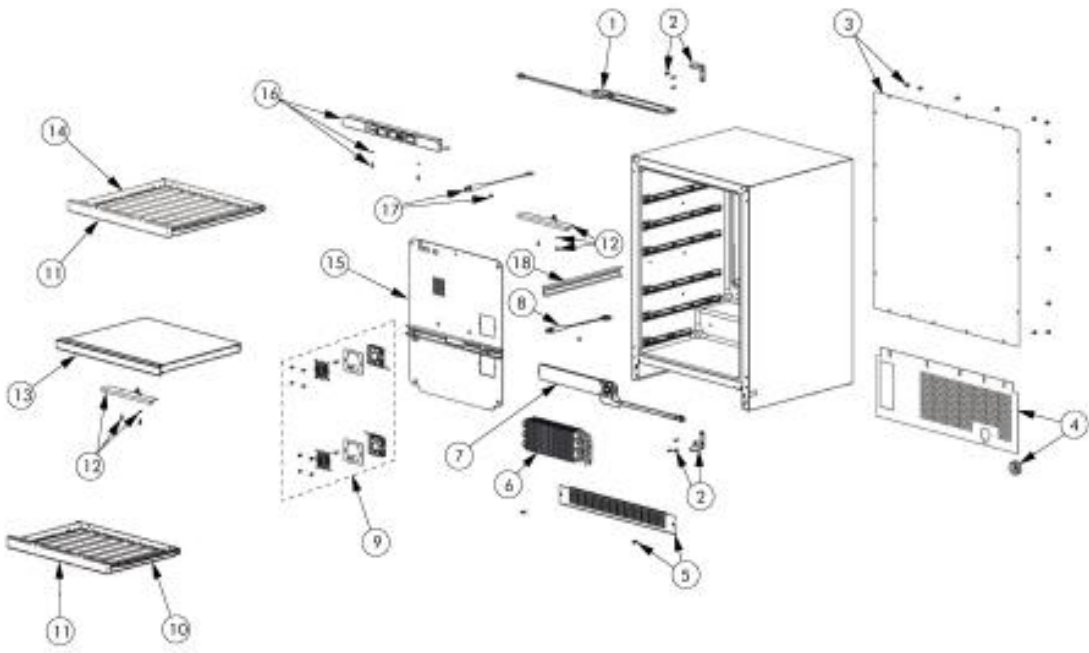
Ref #	Part Number	Qty.	Description
1	009762-000	1	3M TAPE, 1.75
2	009759-000	1	DOOR SWITCH MAGNET
3	010216-000	1	DOOR SWITCH MAGNET RETAINER
4	020856-000	1	DIVIDER GASKET, BLACK
5	020839-000	2	NO.8 X 3/4 PHILLIPS PAN HEAD TEK SCREW, BLACK
6	010655-000	1	DOOR GASKET - BK
7	010009-000	1	DOOR LOGO
8	020884-000	1	DOOR ASSY, FOL, RH, CLEAR GLASS, W/LOCK
8	020885-000	1	DOOR ASSY, FOL, LH, CLEAR GLASS, W/LOCK
8	020886-000	1	DOOR ASSY, FOL, RH, FLUTED GLASS, W/LOCK
8	020887-000	1	DOOR ASSY, FOL, LH, FLUTED GLASS, W/LOCK



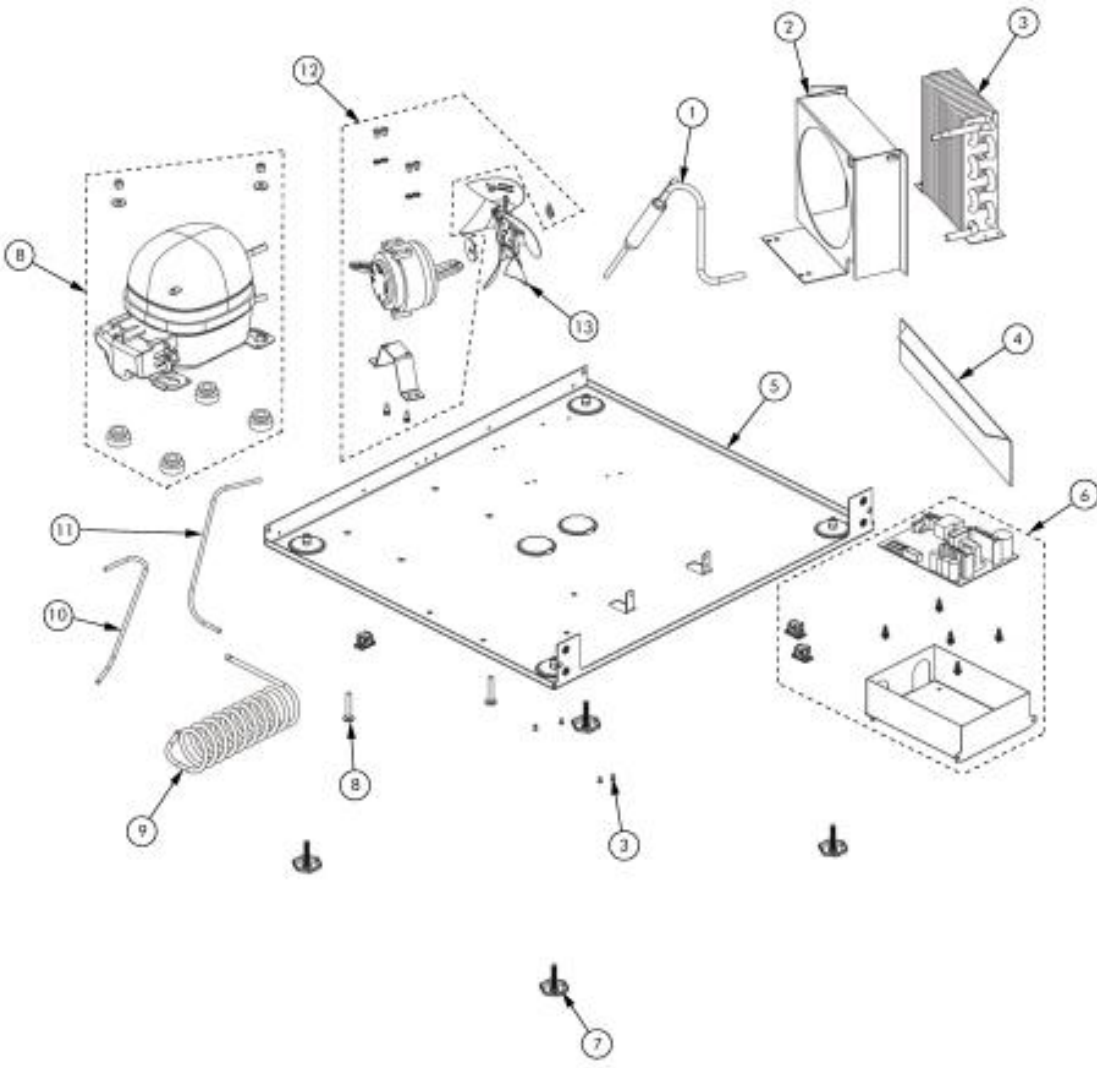
Ref #	Part Number	Qty.	Description
1	009759-000	1	DOOR SWITCH MAGNET
2	010216-000	1	DOOR SWITCH MAGNET RETAINER
3	010656-000	2	SCREW, NO.8 X 3/4 PH FLAT HEAD - BK
4	020848-000	1	DIVIDER GASKET, BLACK
5	020839-000	2	NO.8 X 3/4 PHILLIPS PAN HEAD TEK SCREW, BLACK
6	009760-000	1	HINGE ADAPTER, TOP, SS
7	PW230124	1	MAGNETIC GASKET, BLACK
8	009757-000	1	HINGE ADAPTER, BOTTOM, SS
9	009755-000	2	NYLON HINGE BUSHING
10	009761-000	2	WASHER, NYLON
11	010212-000	4	SCREW, 1/4-20 SS
12	010080-000	2	STAND-OFF STUD - DESIGNER
13	009644-000	2	SET SCREW
14	PW300163	2	SCREW (VUIM150) 42243357
15	009866-000	1	DESIGNER HANDLE ASSEMBLY
16	PW200059	1	LOCK & KEY ASSY FOR SSDF DOORS
17	020875-000	1	DOOR ASSY, DESIGNER, RH, CLEAR GLASS, W/LOCK
17	020876-000	1	DOOR ASSY, DESIGNER, LH, CLEAR GLASS, W/LOCK
17	020877-000	1	DOOR ASSY, DESIGNER, RH, FLUTED GLASS, W/LOCK
17	020879-000	1	DOOR ASSY, DESIGNER, LH, FLUTED GLASS, W/LOCK



Ref #	Part Number	Qty.	Description
1	009762-000	1	3M TAPE, 1.75
2	009759-000	1	DOOR SWITCH MAGNET
3	010668-000	1	RETAINER, MAGNET
4	009760-000	1	HINGE ADAPTER, TOP, SS
5	020848-000	1	DIVIDER GASKET, BLACK
6	020839-000	2	NO.8 X 3/4 PHILLIPS PAN HEAD TEK SCREW, BLACK
7	PW230124	1	MAGNETIC GASKET, BLACK
8	009757-000	1	HINGE ADAPTER, BOTTOM, SS
9	009755-000	2	NYLON HINGE BUSHING
10	009761-000	2	WASHER, NYLON
11	010212-000	4	SCREW, 1/4-20 SS
12	010080-000	2	STAND-OFF STUD - DESIGNER
13	009644-000	2	SET SCREW
14	PW300163	2	SCREW (VUIM150) 42243357
15	009866-000	1	DESIGNER HANDLE ASSEMBLY
16	PW200059	1	LOCK & KEY ASSY FOR SSDF DOORS
17	020882-000	1	DOOR ASSY, DESIGNER, RH, SOLID, W/LOCK
17	020883-000	1	DOOR ASSY, DESIGNER, LH, SOLID, W/LOCK



Ref #	Part Number	Qty.	Description
1	028432-000	1	FAN/HEATER ASSEMBLY, UPPER COMPARTMENT
2	009417-000	1	UPPER HINGE RIGHT HAND/BOTTOM HINGE, LEFT HAND
3	028433-000	1	BACK PANEL W/ SCREWS
4	028434-000	1	BACK SHROUD & HEYCO BUSHING
5	028435-000	1	TOE GRILLE, BLACK W/ SCREWS & WASHERS
6	028436-000	1	EVAPORATOR ASSEMBLY
7	028437-000	1	FAN/HEATER ASSEMBLY, LOWER COMPARTMENT
8	028438-000	1	THERMISTOR/HARNESS ASSEMBLY, LOWER COMP.
9	028439-000	2	EVAPORATOR FAN ASSY
10	028440-000	1	LOWER SHELF ASSEMBLY
11	028441-000	6	WOOD SHELF FRONT
12	PS100007	2	AURA LIGHT ASSY (BLACK) 42245124
13	028442-000	1	DIVIDER ASSEMBLY, RIGHT-HAND
13	028443-000	1	DIVIDER ASSEMBLY, LEFT-HAND
14	028444-000	5	UPPER SHELF ASSEMBLY
15	028445-000	1	EVAPORATOR COVER
16	028446-000	1	U/I DISPLAY ASSY, GLASS DOOR, BLACK W/ SCREWS & WA...
16	028447-000	1	U/I DISPLAY ASSY, SOLID DOOR, BLACK W/ SCREWS & WA...
17	028448-000	1	THERMISTOR/HARNESS ASSEMBLY, UPPER COMP. W/ SCR...
18	028449-000	1	WIRE CONDUIT



Ref #	Part Number	Qty.	Description
1	028450-000	1	DRIER ASSEMBLY
2	028451-000	1	CONDENSER FAN SHROUD
3	028452-000	1	CONDENSER, R-134A (W/ POP RIVITS)
4	022374-000	1	AIR BAFFE
5	028453-000	1	MECHANICAL BASEPLATE
6	028454-000	1	MAIN ELECTRONIC CONTROL ASSY
7	PW200038	4	LEVELER KIT
8	028455-000	1	TECUMSEH COMPRESSOR ASSY
9	022839-000	1	PRECOOLER
10	028456-000	1	TUBE, COMPRESSOR TO PRECOOLER
11	028457-000	1	TUBE, PRECOOLER TO CONDENSER
12	028458-000	1	FAN MOTOR ASSY
13	PW200037	1	FAN BLADE
NI	028459-000	1	POWER CORD
NI	028460-000	1	COMMUNICATION HARNESS ASSEMBLY