

This Owner's Manual is provided and hosted by [Appliance Factory Parts](#).



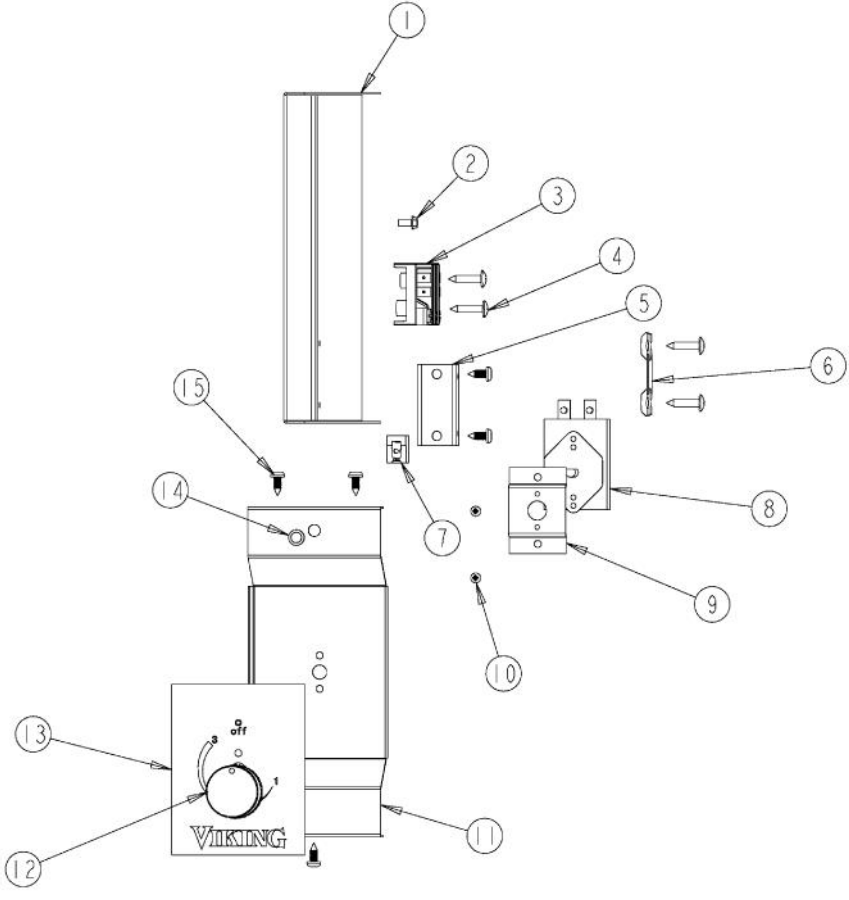
# VIKING DFWD101 Owner's Manual

[Shop genuine replacement parts for VIKING DFWD101](#)

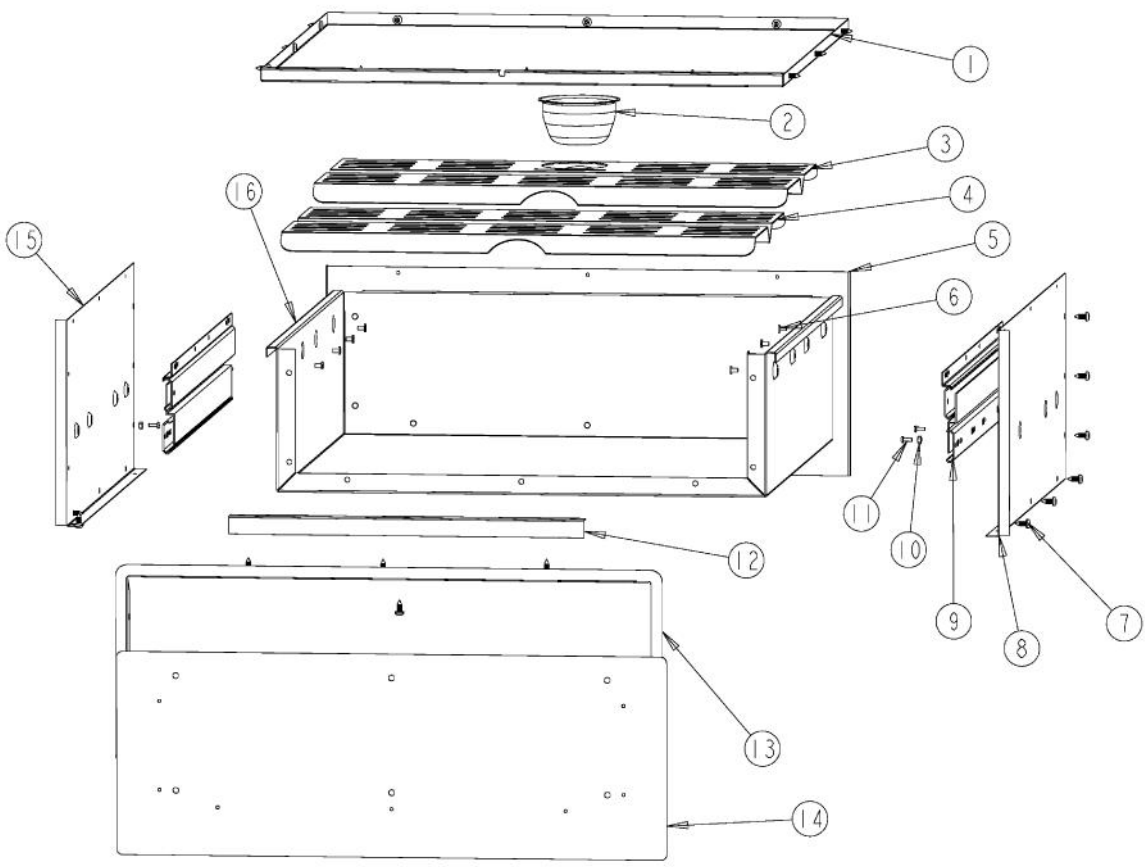


[Find Your VIKING Refrigerator Parts - Select From 341 Models](#)

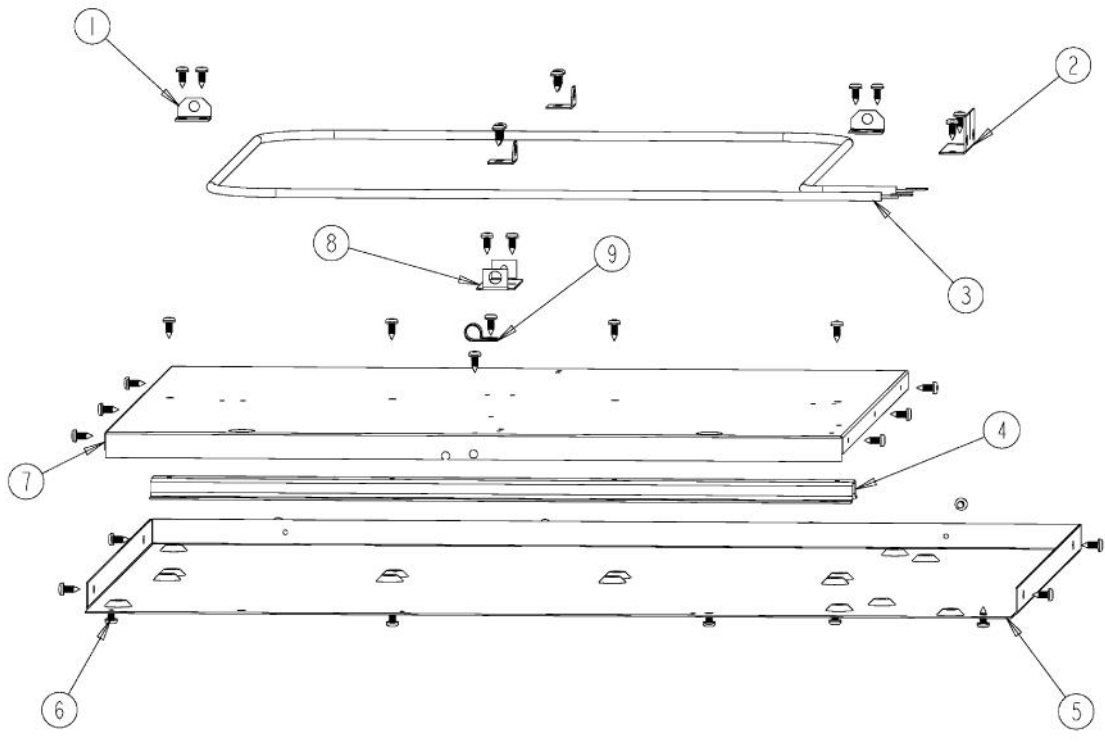
----- Manual continues below -----



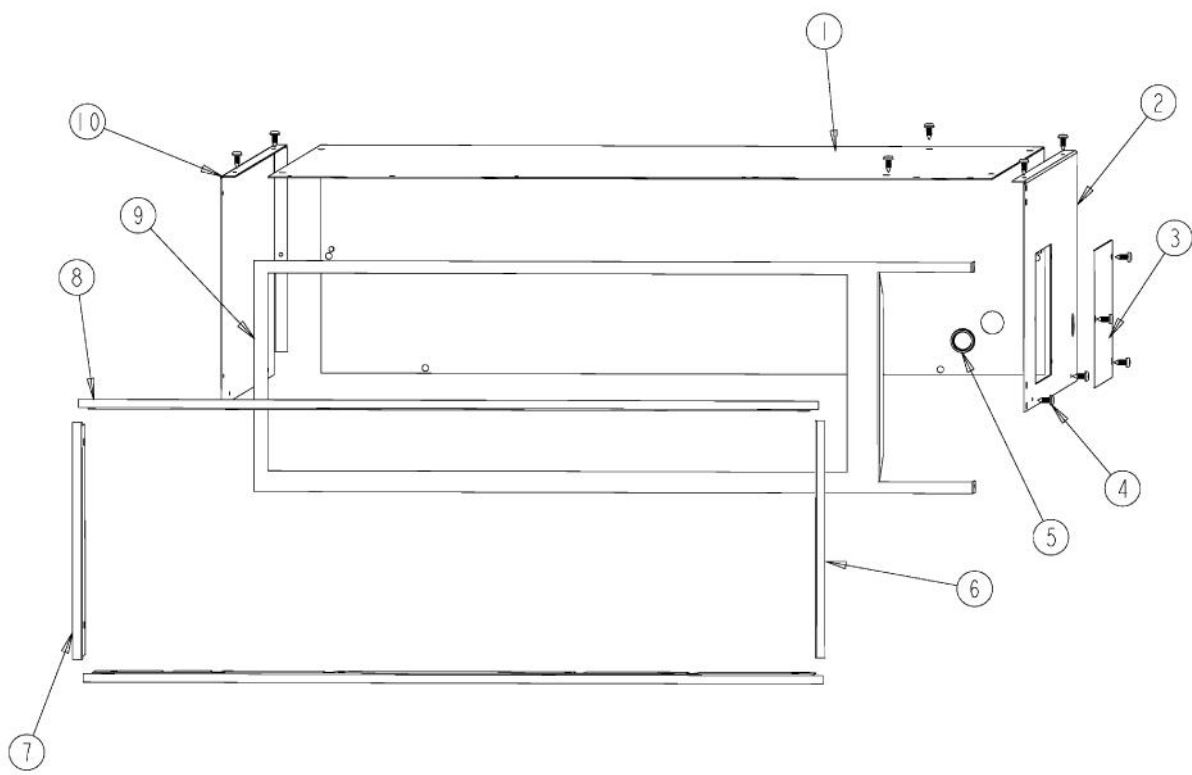
Ref #	Part Number	Qty.	Description
1	A20015286		INSULATION PANEL (VEWD)
2	PD020010		10 X 3/8 GREEN GROUNDING SCREW
3	PE070417		UPPER LATCH HARNESS
4	PD020009		10 X 1 PH. HD. PAN HD. SMS
5	A2002195		POWER CORD MOUNTING BRKT (VDSC)
6	A1002547		POWER CORD BRACKET
7	PE050024		OVEN IND. LIGHT (LIGHT HOUSING)
8	PB010167		THERMOSTAT
9	A2006075		THERMOSTAT SPACER, DESIGNER
10	PD020076		6-32 X 3/8 PHILL PAN MS
11	B20013480		CONTROL PANEL XSSX (VEWD/DEWD)
12	PB010201		DESIGNER WD KNOB
13	Q24914-000	1	DFWD CP GRAPHICS
14	PE050023		OVEN IND. LIGHT (LENS & BEZEL)
15	PD020087		10 X 1/2 PAN PH. TEK ZINC



Ref #	Part Number	Qty.	Description
1	B20015277		30 I/S TOP PANEL (VEWD103)
2	PA030005		6OZ. STAINLESS STEEL BOWL (6960)
3	B2004132		REAR RACK - 30 (VEWD)
4	B2004131		FRONT RACK - 30 (VEWD)
5	B2004176		REAR INSIDE PANEL - 30 (VEWD)
6	PC040019		POP RIVET ( 0.125 GR X 0.156 DIA )
7	PD020087		10 X 1/2 PAN PH. TEK ZINC
8	B20015285		INSIDE PANEL RH (VEWD)
9	PC020022		WARMING DRAWER SLIDES
10	PD030012		6-32 HEX NUT
11	PD020076		6-32 X 3/8 PHILL PAN MS
12	B2004125		DRAWER STOP 27
13	B2004179		GASKET FRAME (VEWD102)
14	B10015265		30 I/S DOOR PANEL (DFWD101)
15	B20015284		INSIDE PANEL LH (VEWD)
16	G31015251		WARMING DRAWER ASSY (30)



Ref #	Part Number	Qty.	Description
1	PD020087		10 X 1/2 PAN PH. TEK ZINC
2	B20015280		BOTTOM INSIDE PANEL - 30 (VEWD)
3	A20015274		WARMING DRAWER BOTTOM - 30
4	B2004147		ELEMENT BRACKET (VEWD)
5	B2004141		BRACKET
6	PJ010009		ELEMENT - 30 (VEWD)
7	B2004148		THERMAL BULB BRKT (VEWD)
8	PD030009		CLAMP, AL-8 (.500)
9	A2007075		30`` WARMING DRAWER BRKT
NI	PE070377		VEWD/DEWD WIRE HARNESS





Ref #	Part Number	Qty.	Description
1	A20015288		OUTER TOP PANEL (VEWD103)
2	A20015283		OUTER SIDE PANEL RH (VEWD)
3	A1004135		ACCESS PLATE (VEWD)
4	PD020087		10 X 1/2 PAN PH. TEK ZINC
5	PD040005		SNAP BUSHING - 7/8
6	B20015272		RH SIDE TRIM (DFWD)
7	B20015267		LH SIDE TRIM (DFWD)
8	B20015271		30 TOP/BOTTOM TRIM (DFWD101)
9	B20015263		FRONT FRAME 30 (DFWD101)
10	A20015282		OUTER SIDE PANEL LH (VEWD)