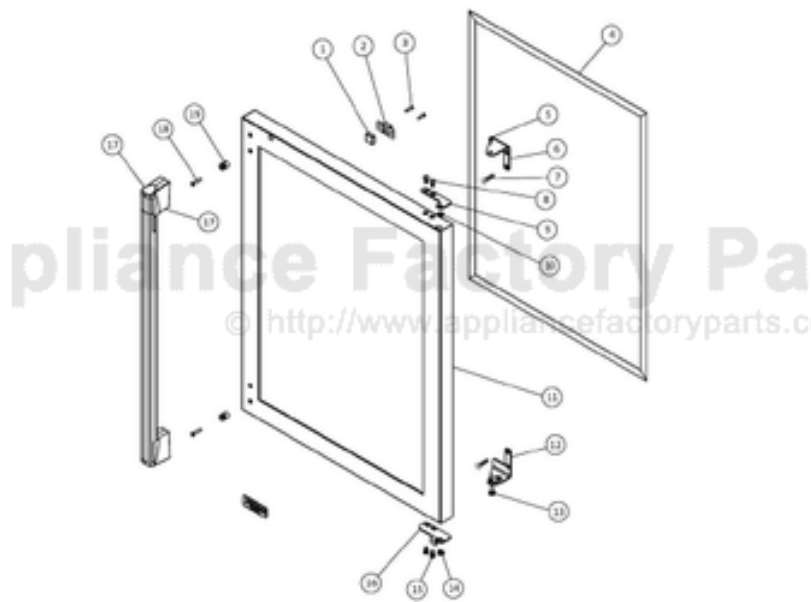


This Owner's Manual is provided and hosted by [Appliance Factory Parts](#).



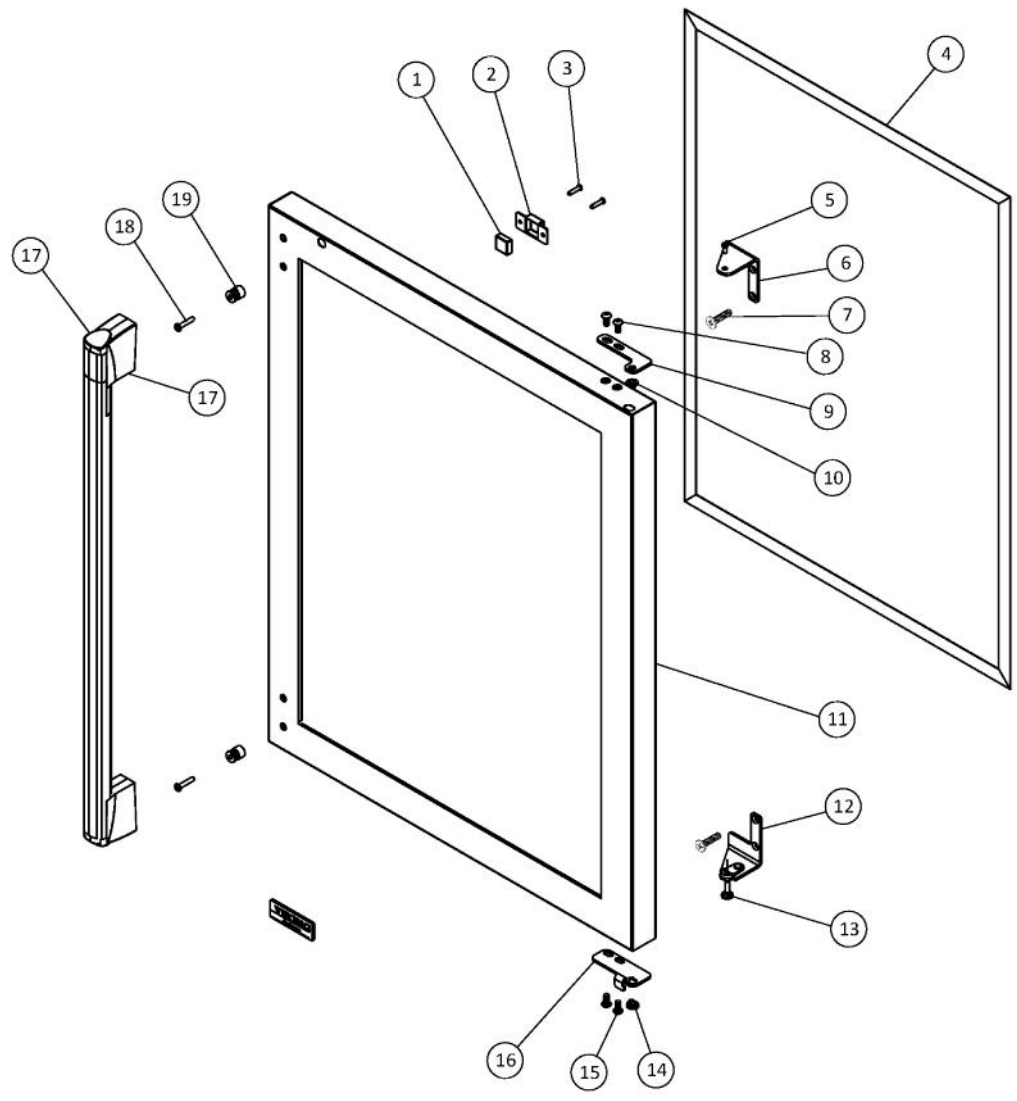
VIKING DUAR1441_REV_B_AFTER_9. 26.10_ Owner's Manual

[Shop genuine replacement parts for VIKING
DUAR1441_REV_B_AFTER_9.26.10](#)

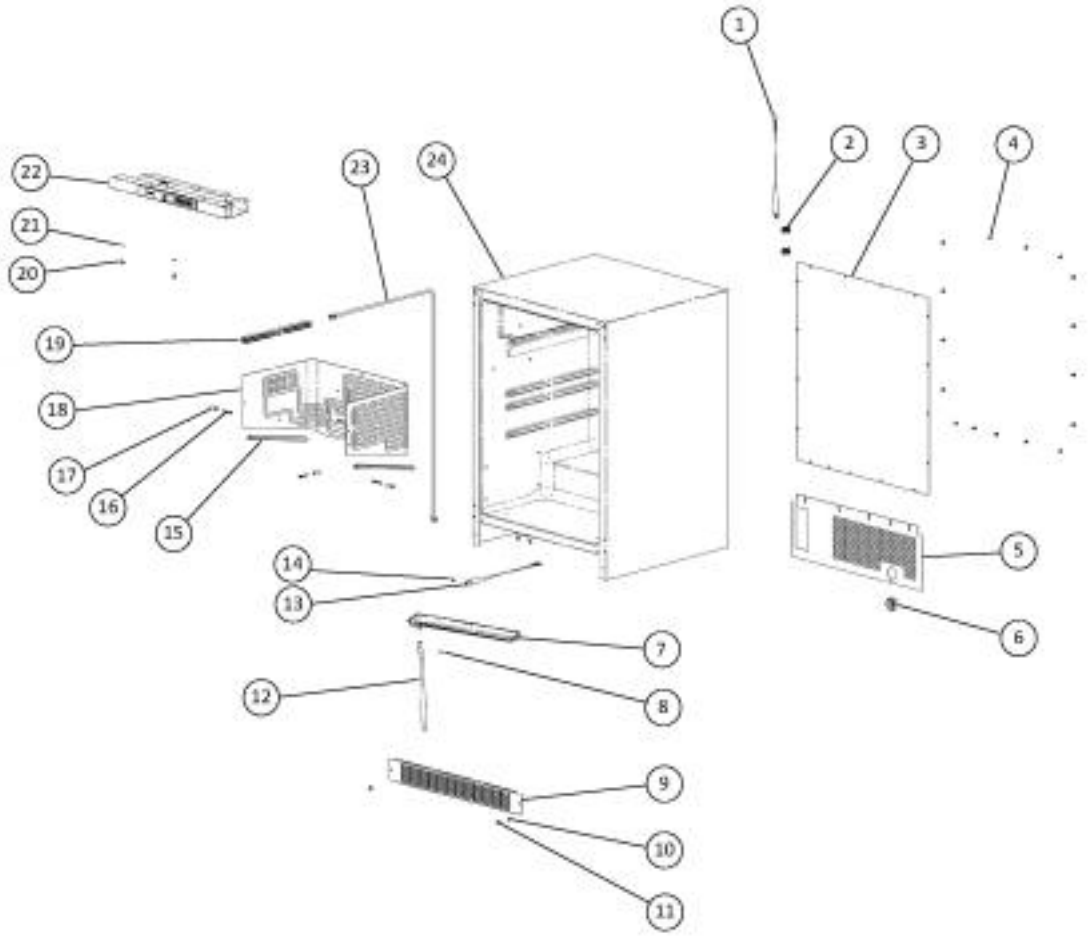


[Find Your VIKING Refrigerator Parts - Select From 341 Models](#)

----- Manual continues below -----



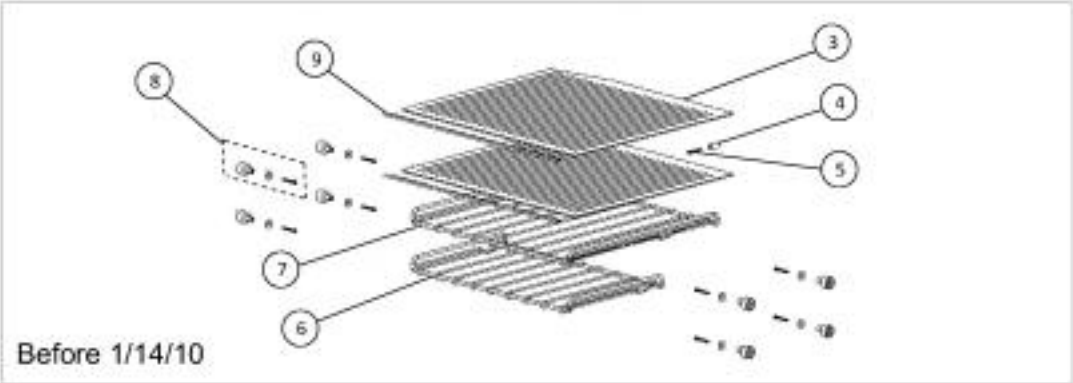
Ref #	Part Number	Qty.	Description
1	028352-000	1	MAGNET
2	028353-000	1	MAGNET SWITCH RETAINER
3	022265-000	2	NO.8 X 3/4 BLACK SCREW
4	PW230124	1	MAGNETIC GASKET, BLACK
5	028354-000	1	TOP HINGE PIN
6	022415-000	1	UPPER DOOR HINGE R.H.
6	022416-000	1	UPPER DOOR HINGE L.H.
7	022252-000	6	10-32 X 3/4 COUNTERSUNK SCREW
8	022248-000	4	1/4-20 X 1/2 BUTTON HEAD CAP SCREW
9	028355-000	1	TOP HINGE ADAPTER, R.H. DOOR (SHOWN)
9	022900-000	1	TOP HINGE ADAPTER, LEFT HAND
10	022414-000	1	BEARING, HINGE PIN UPPER
11	028379-000	1	RIGHT HAND DOOR ASSEMBLY, DUAR1441CRSS (SHOWN)
11	028380-000	1	LEFT HAND DOOR ASSEMBLY, DUAR1441CLSS
12	022417-000	1	BOTTOM DOOR HINGE, R.H.
12	022420-000	1	BOTTOM DOOR HINGE, L.H.
13	022240-000	1	LOWER HINGE PIN
14	022423-000	1	DOOR CLOSER CAM FOLLOWER
16	022424-000	1	SCREW : 4MM X 10MM
16	022427-000	1	DOOR STOP, L.H.
17	028381-000	1	DOOR HANDLE ASSEMBLY
17	028382-000	2	NO.10-32 X 5/16 CUP POINT SET SCREW
18	022434-000	2	NO.10-32 X 1? TRUSS HEAD MACHINE SCREW
19	009521-000	2	STANDOFF STUD
NI	N/A	1	HEAT SHIELD - MUST ORDER ITEM NO. 11



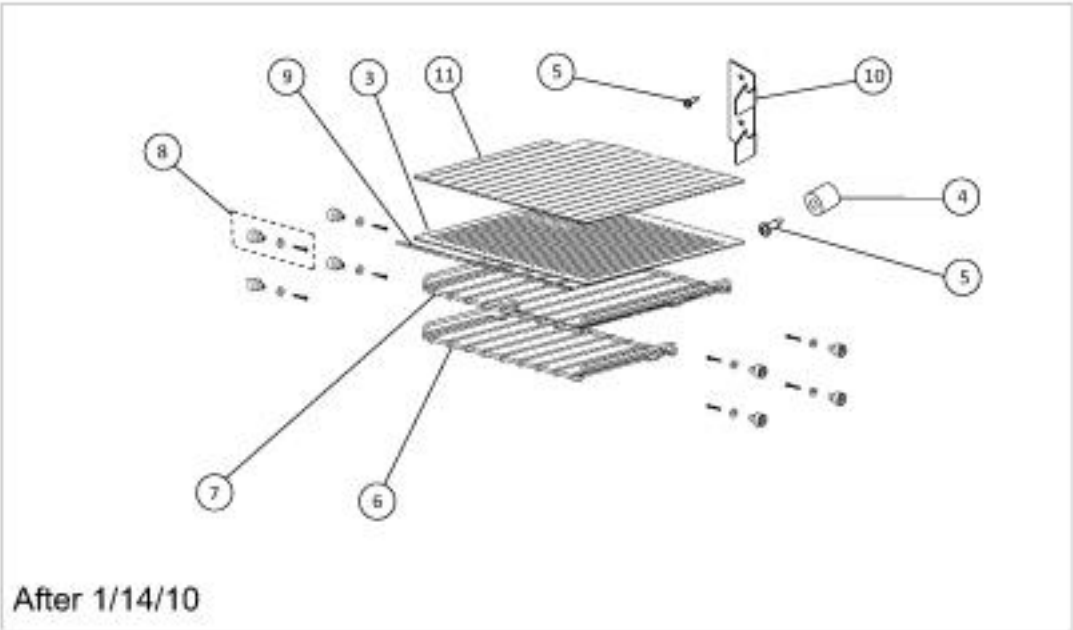
Ref #	Part Number	Qty.	Description
1	009483-000	1	EVAPORATOR TEMPERATURE THERMISTOR
2	022359-000	2	FASTEX CLAMP
3	022348-000	1	BACK PANEL
4	022440-000	24	NO.10 X 5/8 HEX HEAD SCREW
5	022349-000	1	BACK SHROUD, GALVANIZED STEEL
6	022354-000	1	HEYCO BUSHUNG
7	PS100083	1	DRIP TRAY, BLACK 142 WC 42244429
8	022401-000	2	POP RIVET NO.AD43ABS ALUMINUM
9	022357-000	1	BLACK GRILLE
10	022358-000	2	NO.12 EXTERNAL TOOTH STAR WASHER
11	022361-000	2	NO.12X 3/4 BLACK TYPE A SCREW
12	028357-000	1	DRAIN TUBE, BLACK
13	009484-000	1	DISPLAY TEMPERATURE THERMISTOR
14	028358-000	1	NO.6-20 X 3/4 TYPE AB SCREW
15	028359-000	2	EVAPORATOR TRIM
16	028360-000	3	NO.10 X 2? PH PAN HEAD SS SCREW
16	028361-000	3	NO.8 X 2? TYPE AB HEX HEAD SCREW
17	028362-000	1	BLACK SPACER, .75? LONG
17	022352-000	3	BLACK SPACER, 1.00? LONG
17	028363-000	2	BLACK SPACER, 1.28? LONG
18	028364-000	1	EVAPORATOR ASSEMBLY
19	028365-000	1	HV CONDUIT
20	022440-000	2	NO.10 X 5/8 HEX HEAD SCREW
21	022478-000	2	NO.10 EXTERNAL TOOTH STAR WASHER, SS
22	028592-000	1	DISPLAY ASM BK, 24 BC GLASS DR. (UNITS BUILT AFTER 01...
23	009482-000	1	COMMUNICATION CABLE
24	NON-SERVICEABLE	1	TUB WELDMENT



All

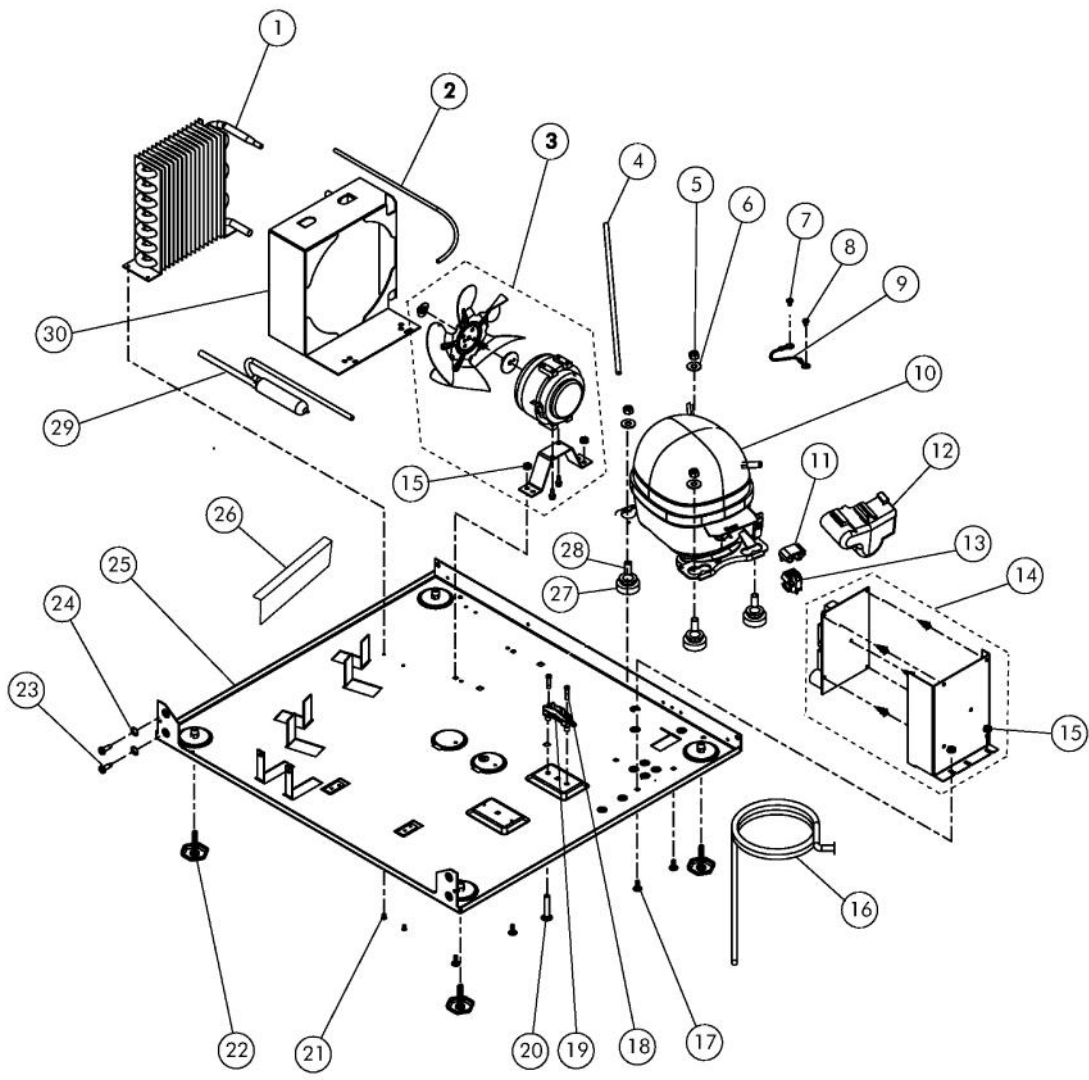


Before 1/14/10



After 1/14/10

Ref #	Part Number	Qty.	Description
1	028366-000	1	FOLDING WIRE SHELF
2	028367-000	4	NO.10 X 5/8? HEX HEAD SCREW
3	028368-000	2	GLASS SHELF
4	028369-000	3	RUBBER BUMPER, BLACK
5	028370-000	3	NO.8-18 X 1.25? SCREW, BLACK
6	028371-000	1	LOWER WINE SHELF, CHROME
7	028372-000	1	WINE SHELF, CHROME
8	028373-000	8	SHELF MOUNTING PEG KIT (W/SCREW & WASHER)
9	028374-000	2	GLASS SHELF TRIM
10	028375-000	1	SHELF RETAINING CLIP
11	028376-000	1	WIRE SHELF, CHROME



Ref #	Part Number	Qty.	Description
1	PW240004	1	CONDENSER, R-134A
2	022364-000	1	TUBING, .188 OD X 14 IN
3	PW300152	1	FAN MOTOR ASSY (VUIM150) 42244701
4	022406-000	1	PROCESS TUBE, 1/4 X 10?
5	022395-000	4	CONVECTION MOTOR
6	022388-000	4	FAN MOTOR
7	022883-000	1	NO.8-32 X 1/4 PHILLIPS PAN HEAD SCREW, GALVANIZED
8	022402-000	1	10-32 X 1/2 HEX WASHER HEAD SCREW
9	PW300137	1	GROUND WIRE (VUIM150)
10	028378-000	1	COMPRESSOR
11	022948-000	1	OVERLOAD PROTECTOR ASSEMBLY
12	022477-000	1	ELECTRONIC CONTROL AND BRACKET ASSEMBLY
13	022381-000	1	10-24 HEX KEPS NUT
14	028377-000	1	POWER CORD
15	022365-000	4	13 X 1/2 CARRIAGE BOLT
16	022380-000	2	POWER CORD CLAMP KIT (W/SCREWS)
17	022815-000	4	CARRIAGE BOLT 1/4-20 X 1.25 UNC 2A
18	022401-000	4	POP RIVET NO.AD43ABS ALUMINUM
19	022366-000	4	LEG LEVELER
20	022252-000	4	10-32 X 3/4 COUNTERSUNK SCREW
21	022403-000	4	NO.10 COUNTERSUNK WASHER
22	022370-000	1	MECHANICAL BASEPLATE
23	022374-000	1	FRONT SHROUD
24	022908-000	4	GROMMET
25	022912-000	4	SLEEVE 2222006
26	PW240003	1	DRIER ASSY VUWC140
27	PW210013	1	FAN SHROUD (VUWC140) 42241349
NI	022373-000	1	WIRING HARNESS, COMPRESSOR
NI	022378-000	1	HARNESS ASSEMBLY, AC LOAD