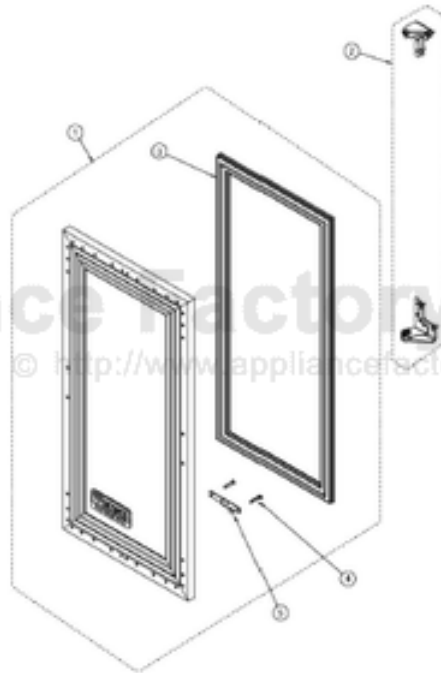


This Owner's Manual is provided and hosted by [Appliance Factory Parts](http://www.appliancefactoryparts.com).



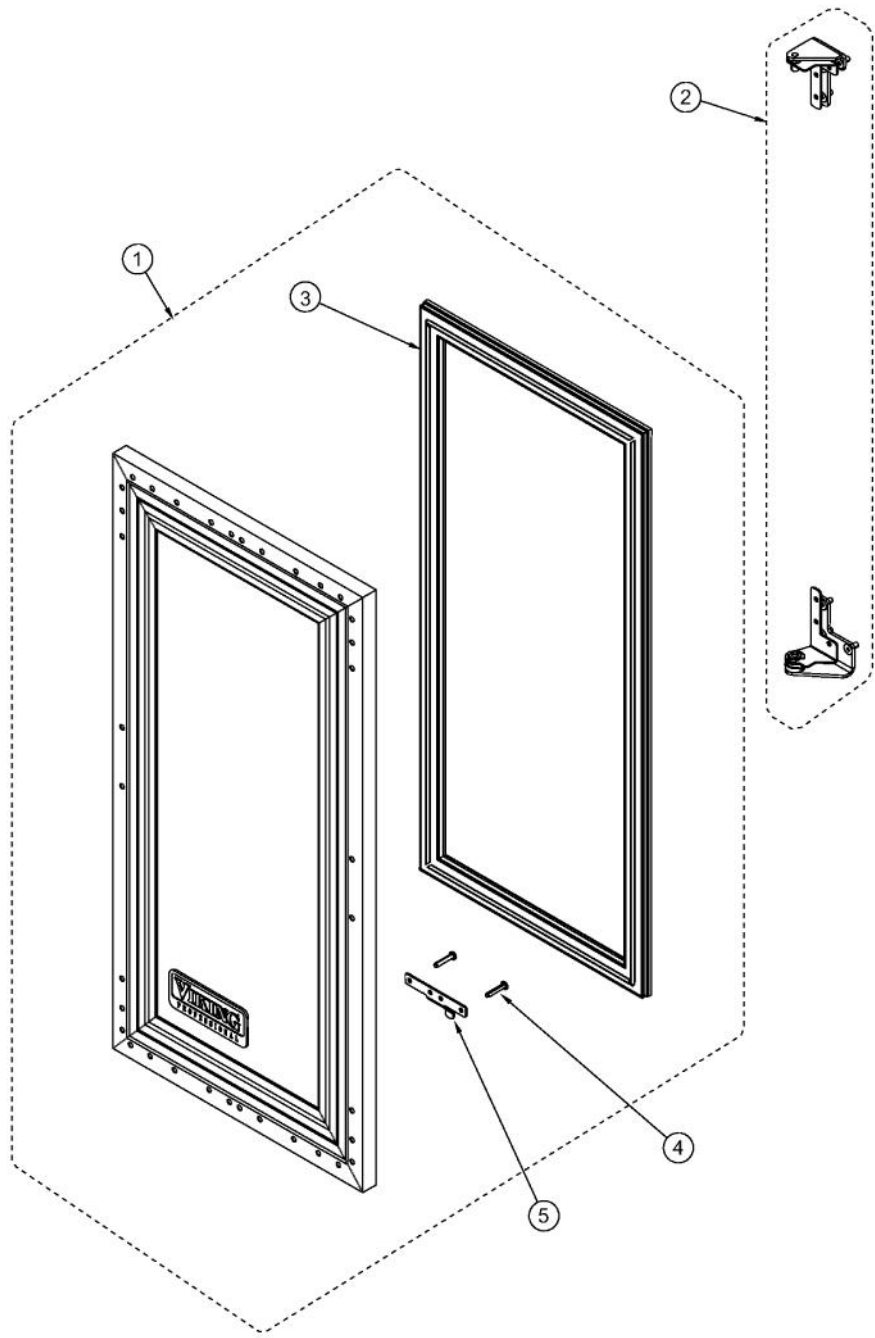
# VIKING FBCI150GL Owner's Manual

**[Shop genuine replacement parts for VIKING  
FBCI150GL](#)**

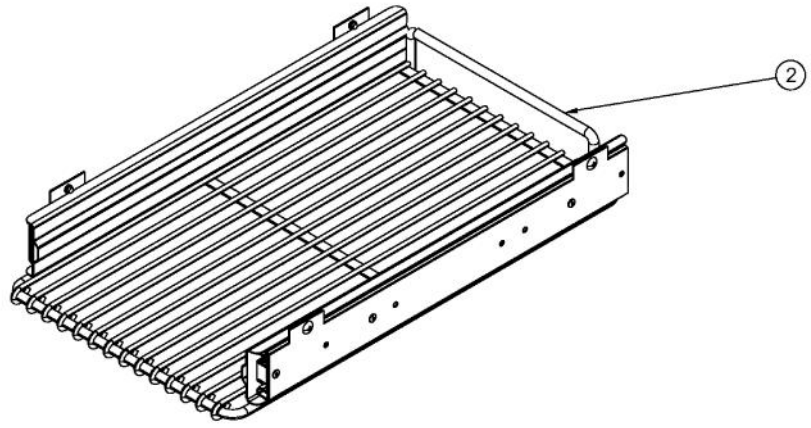
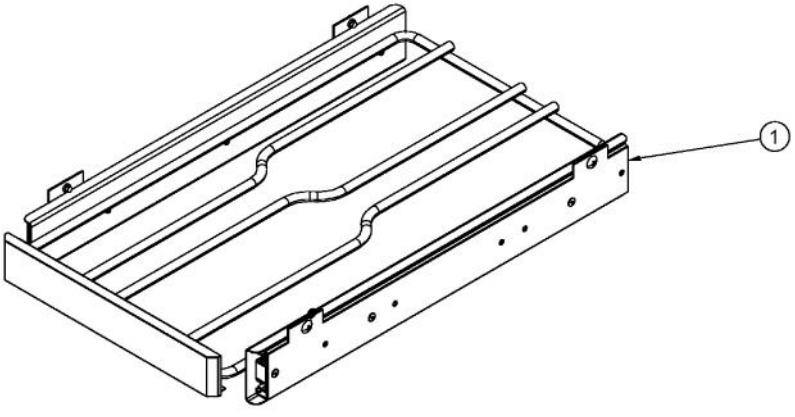


**[Find Your VIKING Refrigerator Parts - Select From 341 Models](#)**

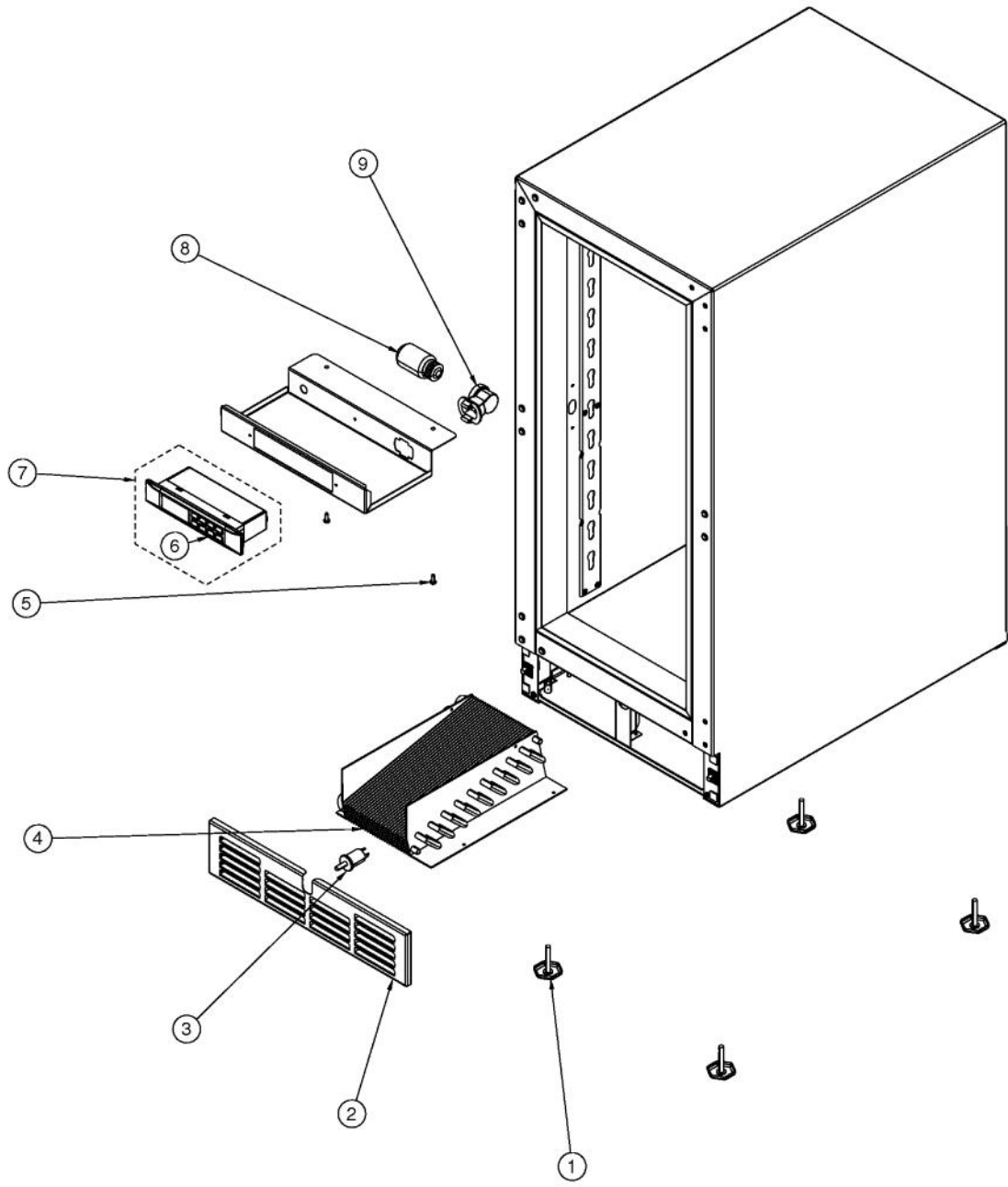
----- Manual continues below -----



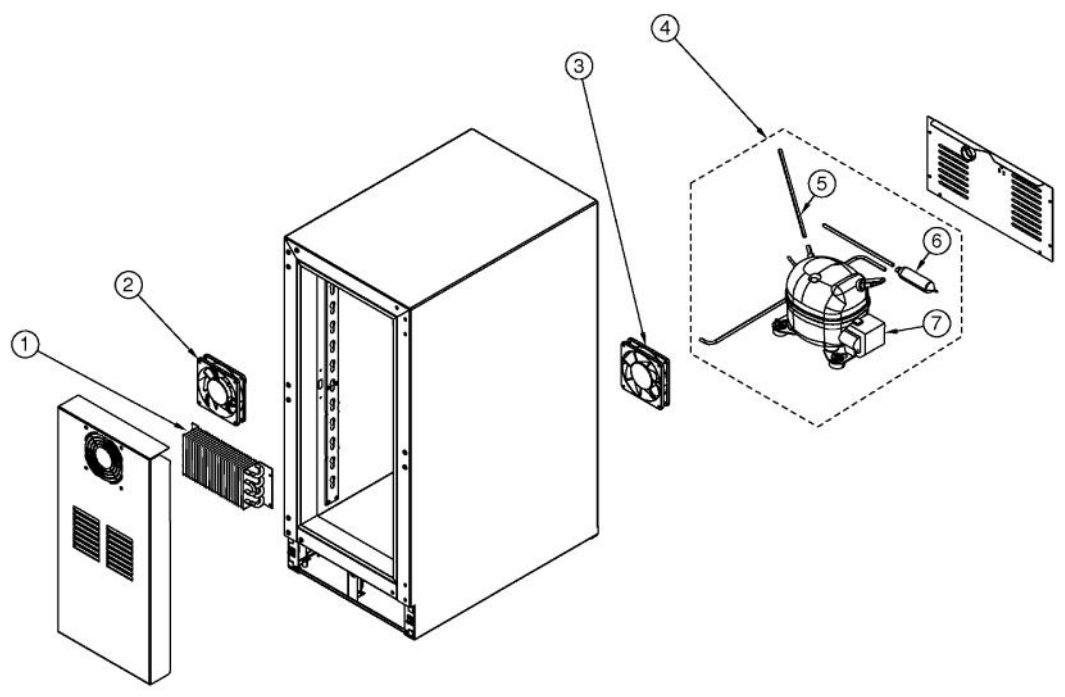
| Ref # | Part Number | Qty. | Description  |
|-------|-------------|------|--|
| 1     | 033118-000  | 1    | RD-VK-15-L4, CLEAR GLASS W/WOOD BORDER DOOR PAN... |
| 2     | 033020-000  | 1    | HINGE KIT, LH                                      |
| 3     | 033069-000  | 1    | DOOR GASKET, 15                                    |
| 4     | 033015-000  | 2    | PLUNGER FASTENER                                   |
| 5     | 032973-000  | 1    | PLUNGER BRACKET                                    |



| Ref # | Part Number | Qty. | Description        |
|-------|-------------|------|--------------------|
| 1     | 033070-000  | 1    | SHELF ASSEMBLY, 15 |
| 2     | 033096-000  | 1    | SHELF ASSEMBLY, 15 |



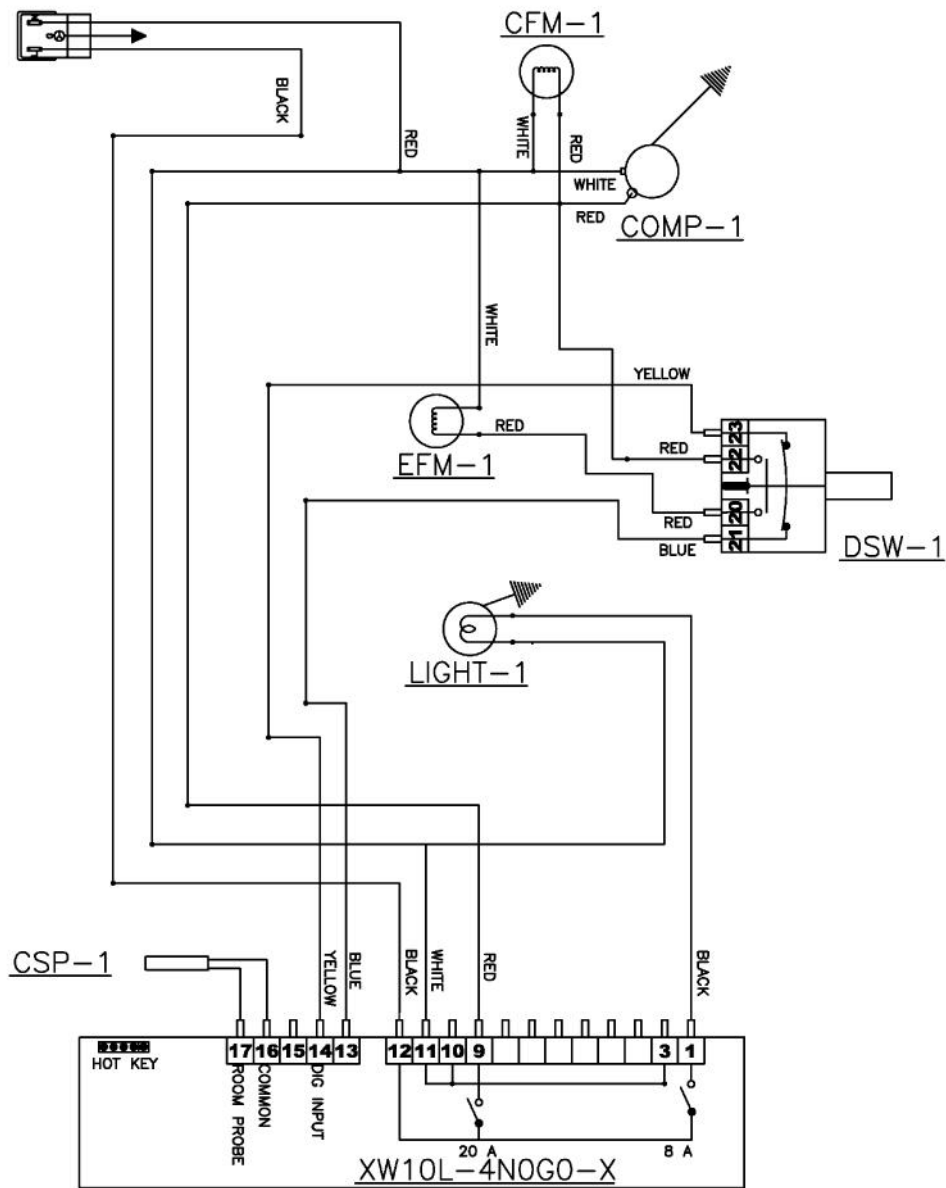
| Ref # | Part Number | Qty. | Description                  |
|-------|-------------|------|------------------------------|
| 1     | 033033-000  | 4    | LEVELLING LEG                |
| 2     | 033073-000  | 1    | GRILLE ASSEMBLY, 15          |
| 3     | 033040-000  | 1    | DOOR SWITCH                  |
| 4     | 033074-000  | 1    | CONDENSER                    |
| 5     | 033024-000  | 2    | FASTENER, CONTROL MOUNTING   |
| 6     | 033023-000  | 1    | CONTROLLER FACE PLATE        |
| 7     | 033050-000  | 1    | CONTROLLER ASSY              |
| 8     | 033026-000  | 1    | LIGHT BULB                   |
| 9     | 033027-000  | 1    | LIGHT SOCKET                 |
| NI    | 033028-000  | 1    | HARNESS, CONTROLLER          |
| NI    | 033039-000  | 1    | HARNESS, MACHINE COMPARTMENT |
| NI    | 033025-000  | 1    | SENSOR                       |





| Ref # | Part Number | Qty. | Description            |
|-------|-------------|------|------------------------|
| 1     | 033072-000  | 1    | EVAP ASSEMBLY          |
| 2     | 033030-000  | 1    | FAN MOTOR              |
| 3     | 033030-000  | 1    | FAN MOTOR              |
| 4     | 033034-000  | 1    | COMPRESSOR KIT         |
| 5     | 033037-000  | 2    | PROCESS TUBE           |
| 6     | 033035-000  | 1    | DRIER                  |
| 7     | 033036-000  | 1    | COMP. START COMPONENTS |
| NI    | 033031-000  | 1    | HARNESS, FAN MOTOR     |
| NI    | 033042-000  | 1    | POWER CORD             |

# VIKING UC PRODUCT



- XW10L--REFRIGERATION SYSTEM CONTROLLER
- DSW-1--LIGHT AND EVAP FAN MOTOR DOOR SWITCH
- LIGHT 1--COMPARTMENT LIGHT
- EFM 1--EVAPORATOR FAN MOTOR
- CSP-1--REFRIGERATED COMPARTMENT 1 SENSOR PROBE
- CFM-1--CONDENSER FAN MOTOR

| Ref # | Part Number | Qty. | Description |
|-------|-------------|------|-------------|
|-------|-------------|------|-------------|

---