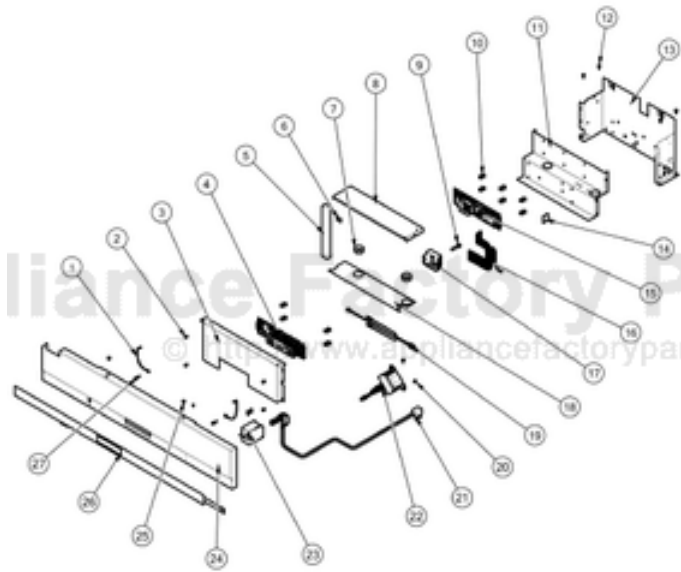


This Owner's Manual is provided and hosted by [Appliance Factory Parts](http://Appliance Factory Parts).



# VIKING FDRB5362 Owner's Manual

[Shop genuine replacement parts for VIKING FDRB5362](#)



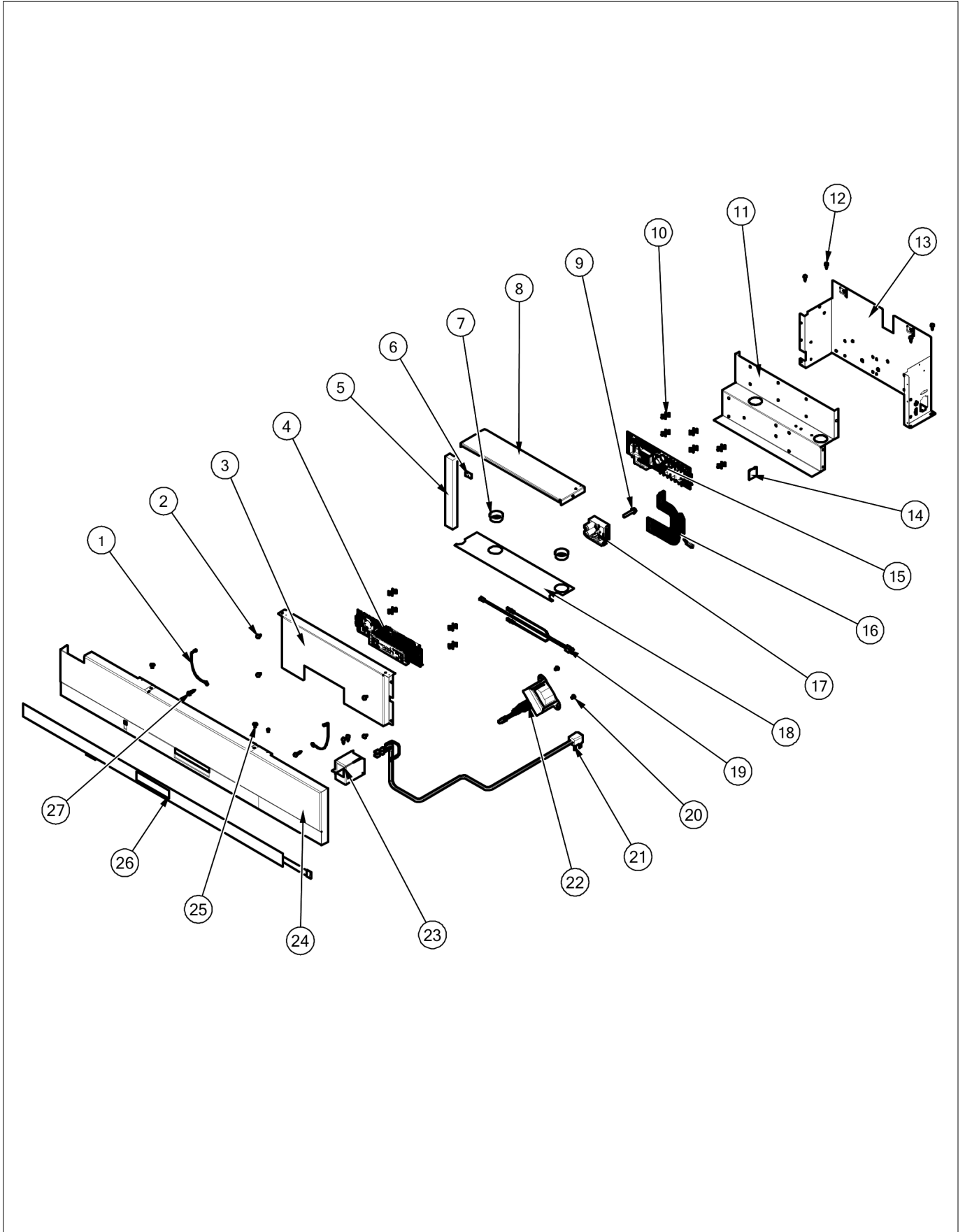
[Find Your VIKING Refrigerator Parts - Select From 341 Models](#)

----- Manual continues below -----

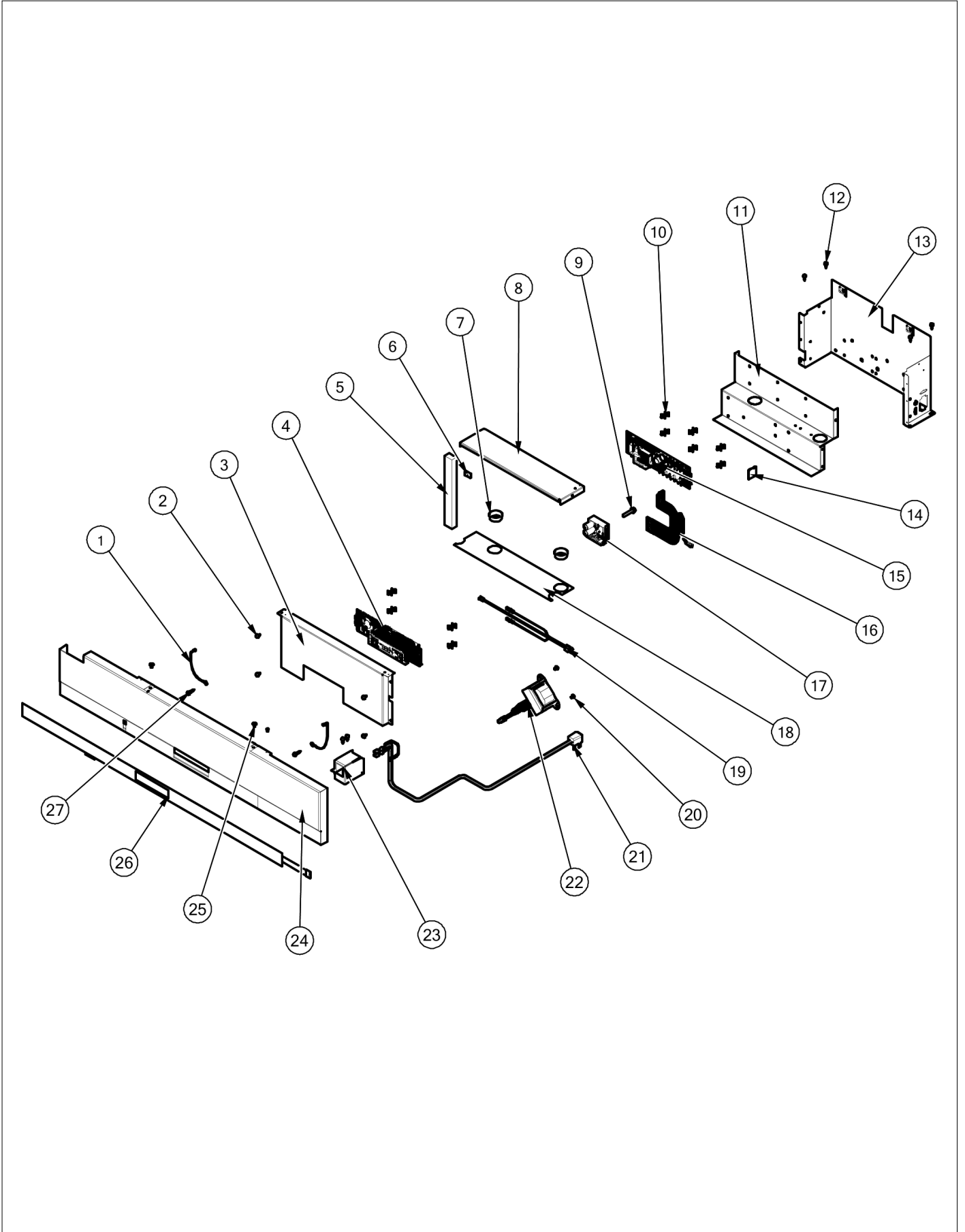
**FDRB5362**

CONTROL PANEL .....	1
INTERIOR COMPONENTS .....	2
INTERIOR SHELVING .....	3
UNIT TOP .....	4
UNIT BOTTOM .....	5
DOOR .....	6
DECOR .....	7
Appendix A:Pages Index .....	A
Appendix B:Parts Index .....	B

CONTROL PANEL

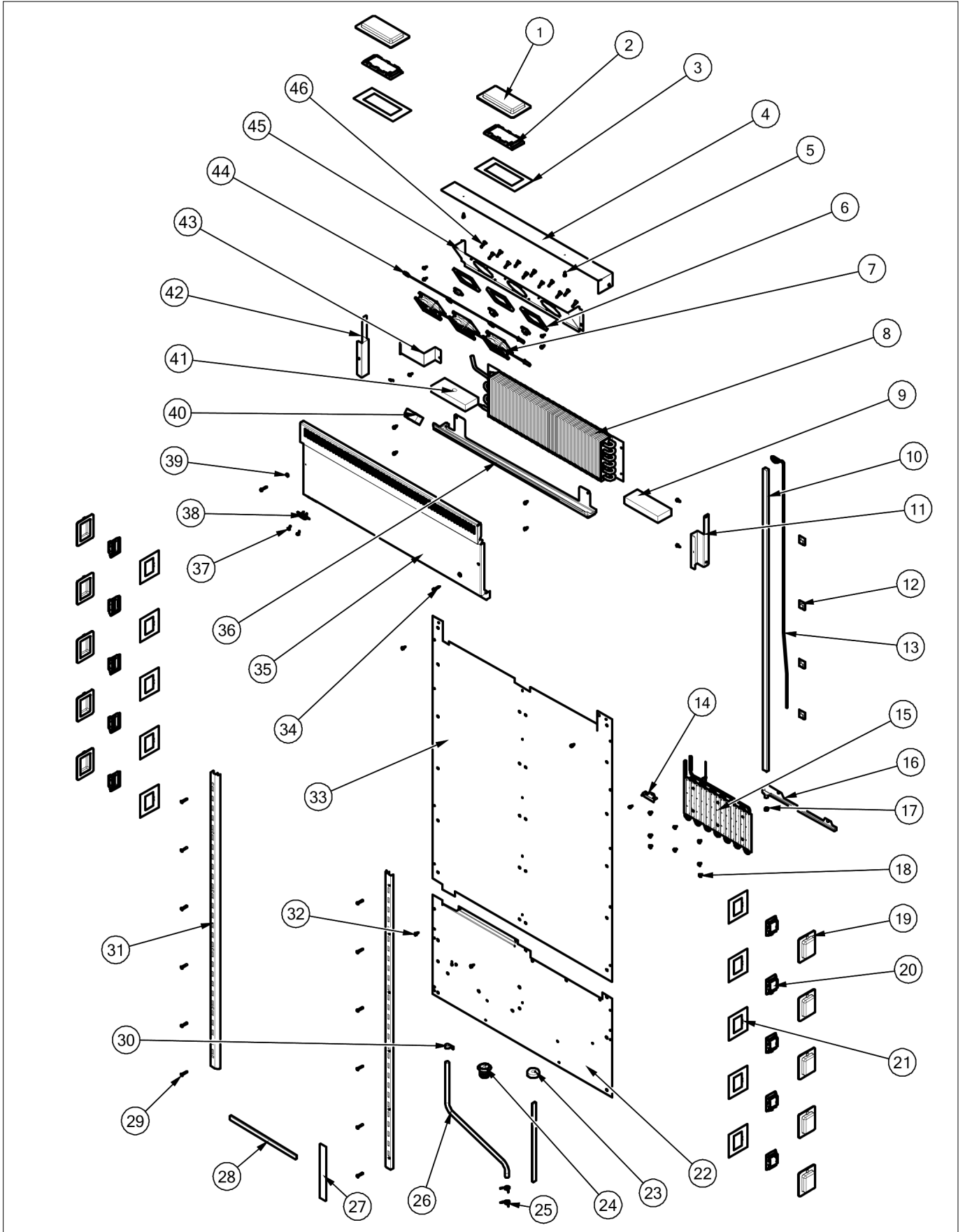


Item	Part No.	Name	Qty	Uom	NOTES
1	12064001	SUPP-CONT PANEL	2	EA	
2	PD020193	SCR 8-18 X 3/8	4	EA	
3	016930-000	MOTR CONTROL BOX FRONT	1	EA	
4	057309-000	BOARD, LOW VOLTAGE	1	EA	
5	A3030361	GASKET RED	1	EA	
6	M0288120	NUT-SPEED VM0288120	1	EA	
7	A4554817	BUSHING-SNAP VA4554817	2	EA	
8	K20915000	CONTROL BOX TOP	1	EA	
9	048308-000	SCREW, 1/4-20 X 1.25 NBS	1	EA	
10	M0585504	SUPPORT	10	EA	
11	044479-000	MOTOR BRACKET PCB	1	EA	
12	PD020194	SCR, HEX SRTD WSHR HD, #8-18 X 1/2	6	EA	
13	047016-000	MOTOR CONTROL BOX	1	EA	Not available online / Call for pricing and availability
14	M0104106	CLIP-CORD VM0104106	1	EA	
15	005319-000	High Voltage Board	1	EA	
16	PE970464	HARNESS LOW VOLT	1	EA	
17	046385-000	CIRCUIT, LED SOFT START	1	EA	
18	005396-000	FILM,PROTECTIVE	1	EA	
19	PE970609	HARNESS CONTROL BOARD	1	EA	
20	PD020187	SCR 8-32 MCH HXWS 1/4 S ZN	2	EA	
21	10916507	CORD-POWER V10916507	1	EA	
22	046386-000	TRANSFORMER, LED SOFT START	1	EA	
23	025433-000	BRACKET,SW,POWER	1	EA	
24	016446-000	PANEL CONTROL AF/AR 36 L	1	EA	Not available online / Call for pricing and availability
25	M0224128	SCREW-SM	2	EA	
26	046872-000	OVERLAY, SW, ASM, AR 36	1	EA	
27	M0238859	SCREW-SHLDR	2	EA	



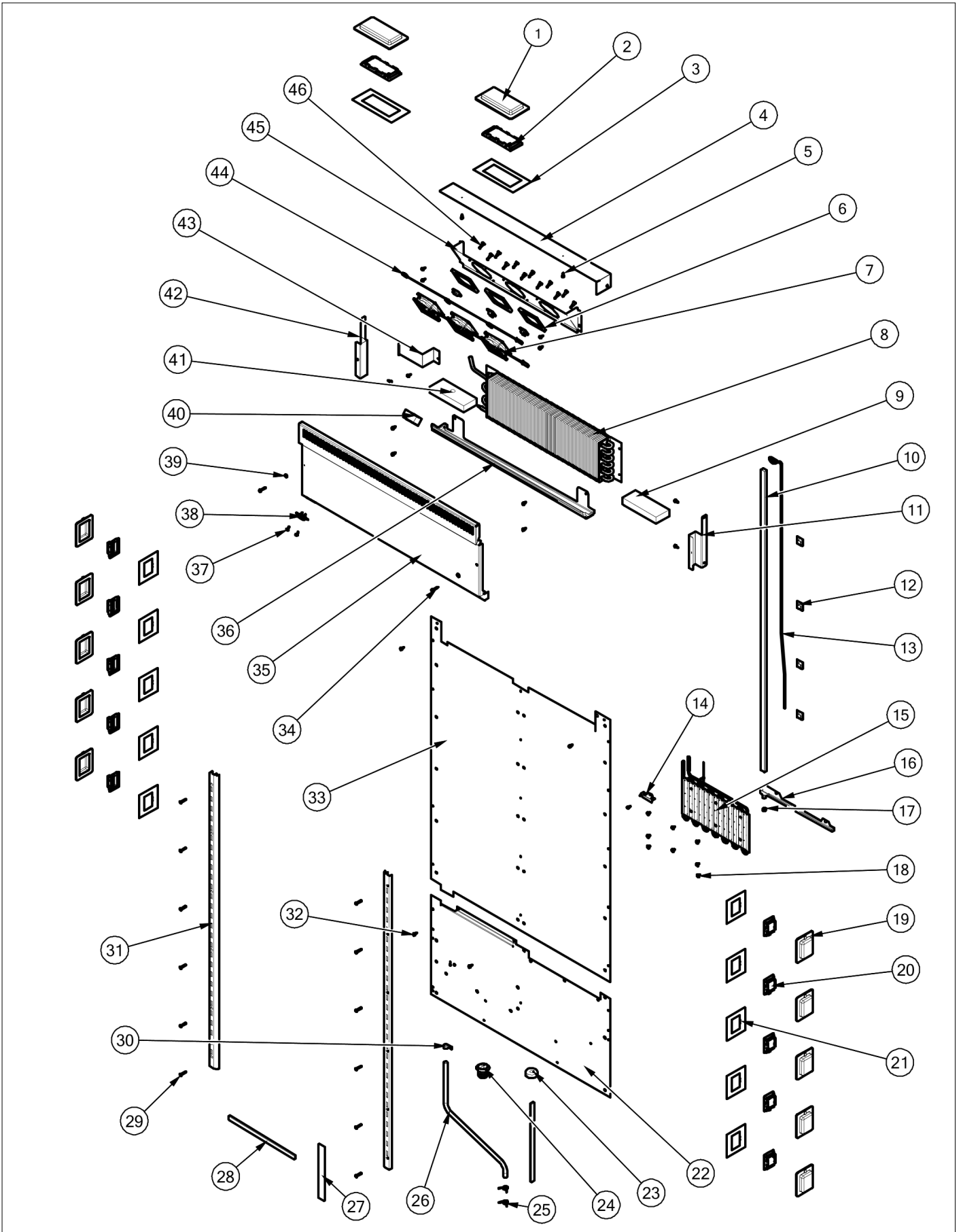
Item	Part No.	Name	Qty	Uom	NOTES
<p>Comments for Part Num. M0238859</p> <p>karen@knservice.com on Oct 22, 2015</p> <p>the description describes the part as "screw shoulder" but it is the only arrow pointing at the fan motor. the actual shoulder screw has the same part numer as the fan blade</p>					
NI	046936-000	HARNESS HIGH VOLTAGE	1	EA	Not available online / Call for pricing and availability
NI	046937-000	HARNESS POWER SUPPLY LED, AR/AF	1	EA	Not available online / Call for pricing and availability
NI	A3189370	GASKET-FOAM VA3189370	2	EA	
NI	049666-000	SCREW, THREAD ROLLING PAN HEAD	1	EA	Not available online / Call for pricing and availability

INTERIOR COMPONENTS



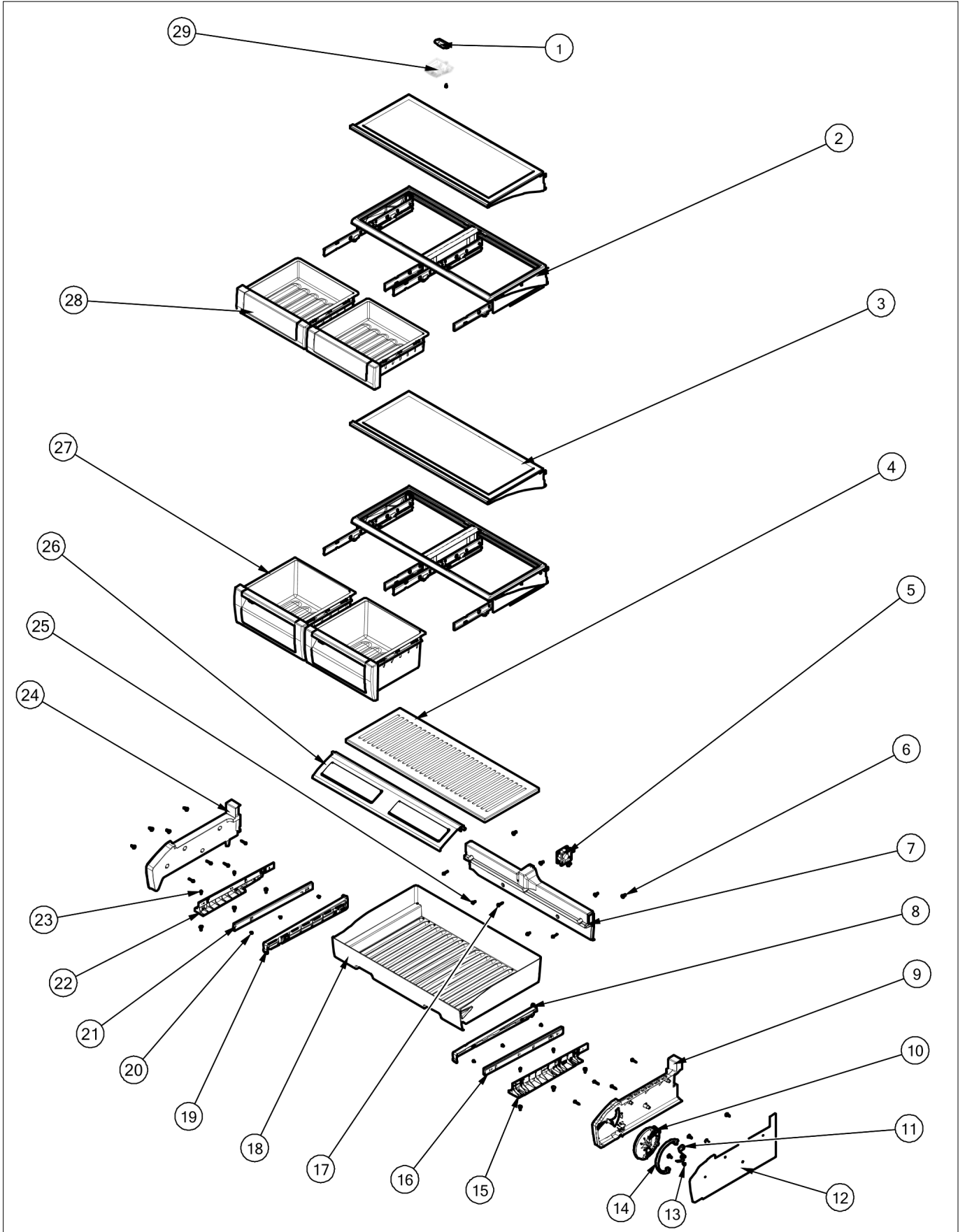


Item	Part No.	Name	Qty	Uom	NOTES
1	046357-000	LED CUP ASSY (8)	2	EA	
2	042766-000	LED LIGHT, 8-POINT	2	EA	
3	043192-000	LED SHIM, FF	2	EA	Not available online / Call for pricing and availability
4	023831-000	LINER,CVR,BLK,36AR	1	EA	
5	024279-000	FASTENER,SRTD,HXWH,BLK,# 8-18 X 1/2	8	EA	
6	024373-000	GASKET,FAN,MT,80mm	3	EA	
7	020467-000	FAN,AXIAL,80X80X25MM 24 VDC	3	EA	
8	PM910455	EVAPORATOR AR 36	1	EA	
9	024306-000	BLOCK,FOAM,R,AR,36	1	EA	
10	PK030446	DRAIN VERTICAL AR 30 36	1	EA	
11	023364-000	BRACKET,EVAP,COVER, RH AR	1	EA	
12	M0104106	CLIP-CORD VM0104106	7	EA	
13	F20913720	TUBE EVAP AR 36	1	EA	
14	L20913713WH	DIVIDER AIR AR 36	1	EA	
15	049987-000	MS HEAT EXCH ASM AR 36 30	1	EA	
<p>Comments for Part Num. 049987-000</p> <p>bradleysapplianceservice@shaw.ca on Sep 22, 2017            SUBS TO: 049987-000 HEAT EXCHANGER AR 30" / 36"            crystal@knservice.com on Sep 22, 2017            This new aluminum h/e melts where it meets the copper tip when welding during a repair. Any recommendations to prevent this?            Reply by corcoran1@cox.net on Dec 21, 2017            Try heat sink and wrap it in wet towel, use oxy-acetylene torch as opposed to map gas</p>					
16	PK030445	PAN DRAIN LOWER EVAP AR 30 36	1	EA	
17	12115101	CLAMP-TUBE V12115101	1	EA	
18	PD020032	SRW-8(A)X3/8PH.WFR HD 7/16DIA NICL	8	EA	
19	046358-000	LED CUP ASSY (3)	10	EA	
20	042764-000	LED LIGHT, 3-POINT	10	EA	
21	044694-000	LED SHIM, SMALL SINGLE	10	EA	

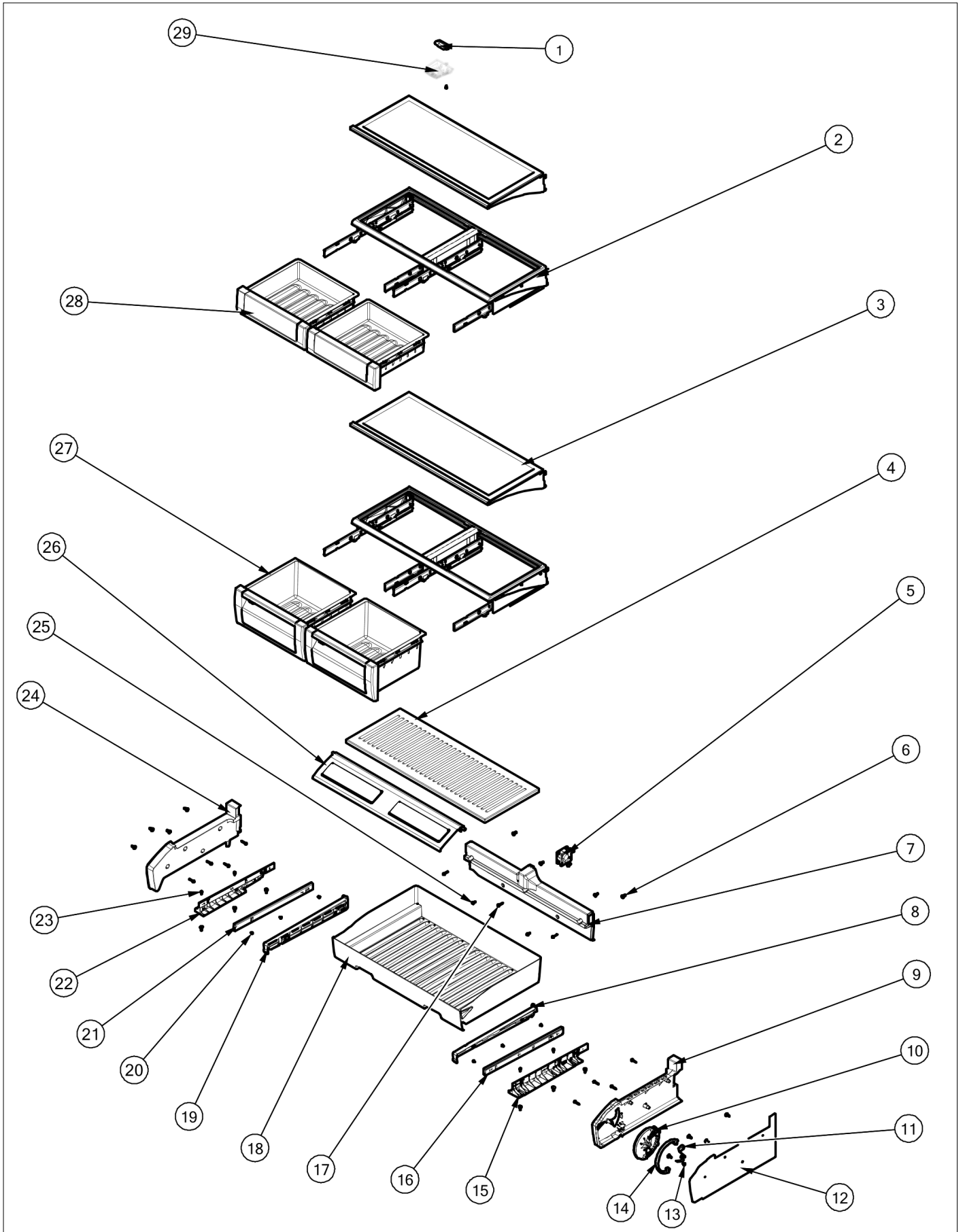


Item	Part No.	Name	Qty	Uom	NOTES
22	G31913715	COVER ASM LOWER EVAP AR 36	1	EA	
23	B8381501	GASKET-DRAIN TUBE VB8381501	1	EA	
24	PK930424	VALVE POP UP ASM	1	EA	
25	PD030162	CLAMP HOSE SINGLE WIRE .500 DIA.	2	EA	Not available online / Call for pricing and availability
26	PB020268	TUBE DRAIN AR 36	1	EA	
27	A3189370	GASKET-FOAM VA3189370	1	EA	
28	PB070288	1/4" X 1/2" CLOSED CELL SPONGE	2	EA	
29	013397-000	1" PAINTED LADDER SCREW	12	EA	
30	PD030148	CLAMP CABLE ALUMINUM .500 DIA.	1	EA	
31	PM910280	LADDER SIDE AR 30 36	2	EA	
32	PD020194	SCR, HEX SRTD WSHR HD, #8-18 X 1/2	11	EA	
33	L20913712WH	COVER SUMP UPPER AR 36	1	EA	
34	010866-000	SCR WH SLTD HEX WSHR HD #8-18 X 1	2	EA	
35	023242-000	COVER,EVAP,AR,36	1	EA	
36	G50914189	DRAIN PAN ASM UPPER AR36	1	EA	
37	M0253916	SCREW-TF	2	EA	
38	C8983701	THERMISTOR	1	EA	
39	PD040150	WASHER FLAT NYLON #10	2	EA	
40	PB970138	INSULATION THERMISTOR BM 36 FF	1	EA	
41	024308-000	BLOCK,FOAM,L,AR,36	1	EA	
42	023363-000	BRACKET,EVAP,COVER, LH AR	1	EA	
43	024387-000	COVER,WIRING,BLACK	1	EA	
44	020550-000	HARNESS,FAN,SPLT,3	1	EA	
45	019440-000	FAN BRACKET, AR, 36	1	EA	
46	007301-000	GROMMET,RUBBER	12	EA	
NI	A3189337	GASKET-FOAM	5FT	EA	
NI	PB070267	INSULATION CORK	5FT	EA	
NI	PB970187	INSULATION TUBING 57.500	1	EA	

INTERIOR SHELVING

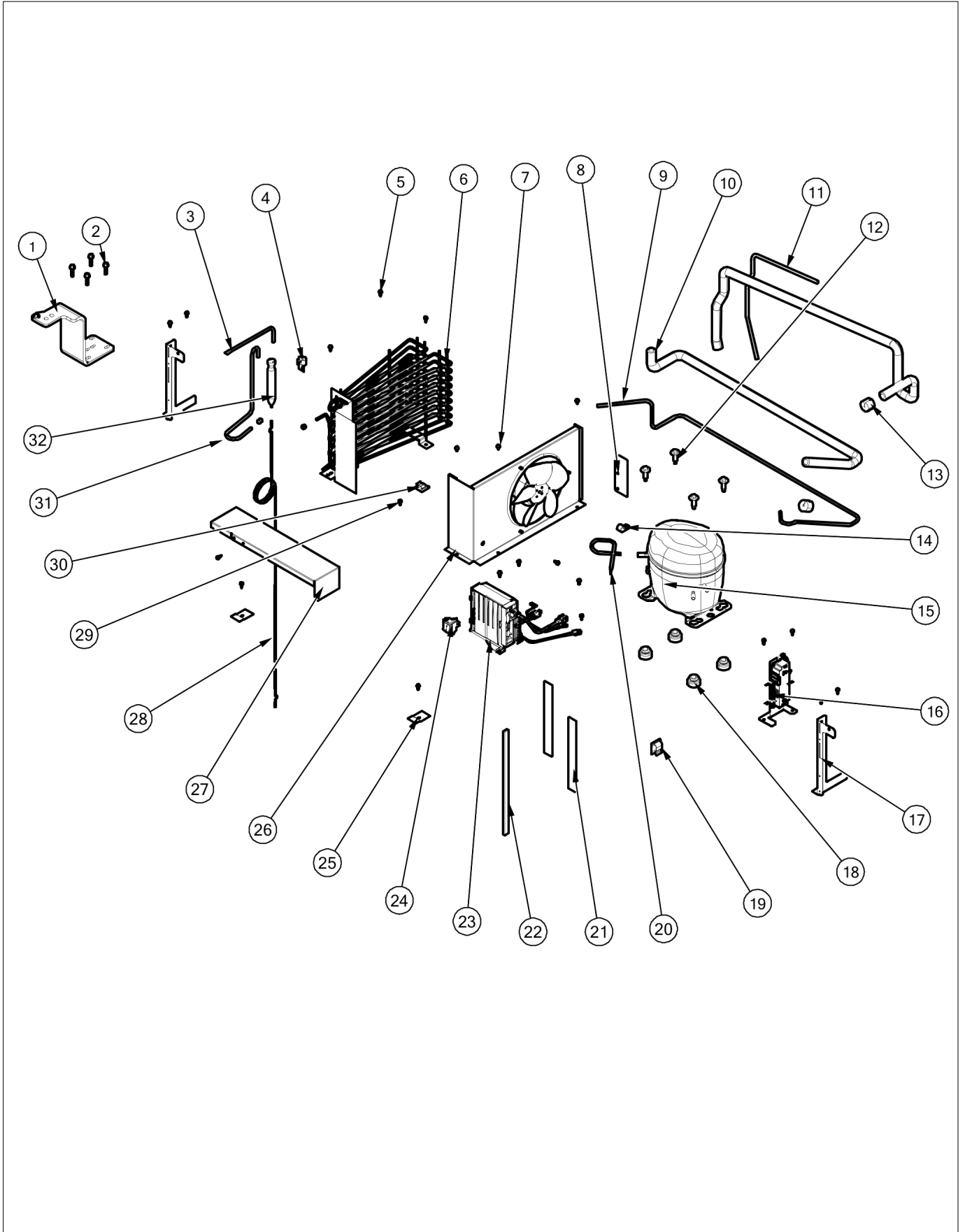


Item	Part No.	Name	Qty	Uom	NOTES
1	010093-000	PLASMA CLUSTER	1	EA	
2	048246-000	SHELF & SLIDE ASM 36 AR &36 BM	2	EA	
3	042673-000	SHELF, GL, 36" NANO SHELF ASSY	2	EA	
4	PK930286	SHELF MEATSAVOR AR/BM 36	1	EA	
5	004551-000	AXIAL FAN	1	EA	
<p>Comments for Part Num. 004551-000</p> <p>gboltz@VikingRange.com on Jul 21, 2016</p> <p>View service bulletin TR-0052-SP before ordering fan, if applicable order kit instead of fan</p>					
6	M0581001	GROMMET-SCREW VM0581001	19	EA	
7	PK930285	DUCT MEATSAVOR REAR AR 36	1	EA	
8	PK930175	SUPPORT DRAWER MEAT SAVOR SXS 42/48 R	1	EA	
9	044232-000	DUCT MEAT SAVOR (R)	1	EA	
10	044384-000	DIAL CONTROL MEAT SAVOR	1	EA	
11	PM910334	ROLLER TENSION	1	EA	
12	PK930283	DUCT MEATSAVOR SPACER	1	EA	
13	M0224128	SCREW-SM	1	EA	
14	044385-000	COVER CONTROL MEATSAVER	1	EA	Not available online / Call for pricing and availability
15	PK930173	SUPPORT SLIDE MEAT SAVOR SXS 42/48 R	1	EA	
16	PM910287	SLIDE MEAT SAVOR R	1	EA	
17	M0211021	SCREW-SM	11	EA	
18	PK930278	DRAWER MEAT SAVOR AR BM 36	1	EA	
19	PK930176	SUPPORT DRAWER MEAT SAVOR 42/48 L	1	EA	
20	PD920162	SCR 8-16 PLASTITE PNP 1/4 S	6	EA	
21	PM910288	SLIDE MEAT SAVOR L	1	EA	



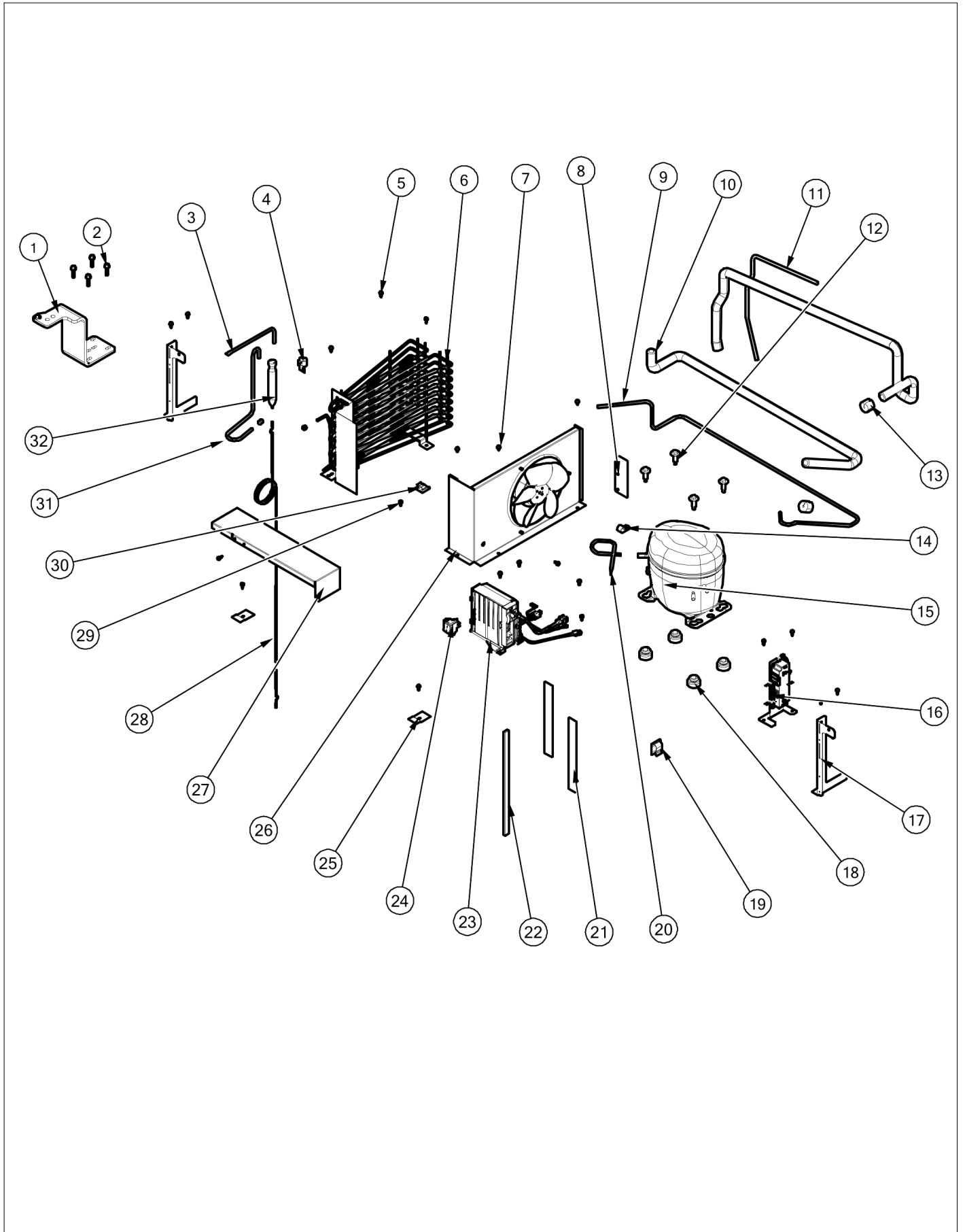
Item	Part No.	Name	Qty	Uom	NOTES
Comments for Part Num. PM910288					
profixappliances@gmail.com on May 3, 2017					
ITEM # 5 SHOULD BE PK930288-DOOR MEATSAVOR ASM AR/BM 36					
22	PK930174	SUPPORT SLIDE MEAT SAVOR SXS 42/48 L	1	EA	
23	PD020194	SCR, HEX SRTD WSHR HD, #8- 18 X 1/2	5	EA	
24	PK930284	DUCT MEATSAVOR LEFT	1	EA	
25	PD020195	SCR 8-18 X 5/8	2	EA	
26	044809-000	DOOR MEAT SAVOR ASM AR/BM 36	1	EA	
27	012396-000	DRAWER,PRODUCE,ASM 36 AR/BM	2	EA	
28	G50912334	DRAWER DELI ASM AR 36	2	EA	
29	043844-000	HOUSING, PCI, BM	1	EA	
NI	A3189337	GASKET-FOAM	6.5FT	EA	
NI	A3189368	GASKET-FOAM VA3189368	1	EA	

UNIT TOP





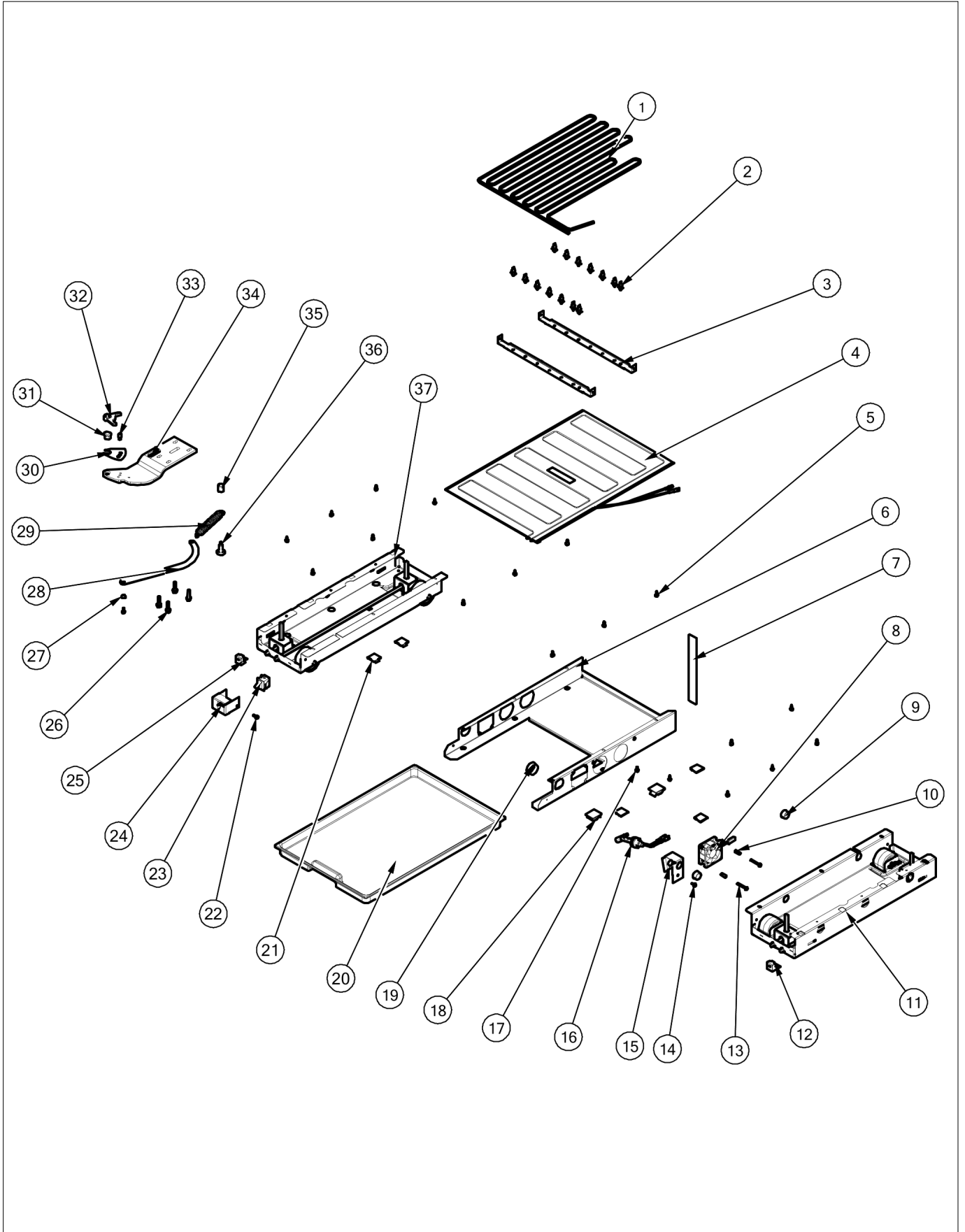
Item	Part No.	Name	Qty	Uom	NOTES
1	044358-000	UPPER HINGE ASM, LH	1	EA	
1	044359-000	UPPER HINGE ASM, RH	1	EA	
2	000570-000	FASTENER, BOLT, 1/4-20 IHXWS 1" S ZN SER	4	EA	
3	F2097740	TUBE PROCESS	1	EA	
4	10547001	CLIP-DRIER V10547001	1	EA	
5	PD020194	SCR, HEX SRTD WSHR HD, #8- 18 X 1/2	14	EA	
6	PB920171	Condenser Assembly	1	EA	
7	PD020193	SCR 8-18 X 3/8	3	EA	
8	000975-000	SUPPORT, FAN SWITCH	1	EA	
9	F20910729	TUBE DISCHARGE AF AR 30	1	EA	
10	PB970188	INSULATION TUBING 45.000	2	EA	
11	F20911126	TUBE SUCTION AR 30	1	EA	
12	M0221523	Grommet, Compressor	4	EA	
13	10699601	DAMPER-TUBING .8	2	EA	
14	PD030118	INSULATED CLAMP	1	EA	
15	062776-000	Compressor kit	1	EA	
16	050894-000	ASSY, BKT, PWR SUPPLY, 24VDC, REF	1	EA	
17	014190-000	BRACKET, GRILLE SUPPORT	2	EA	
18	10835901	GROMMET RUBBER V10835901	4	EA	
19	M0104102	CLIP-CORD RED	1	EA	
20	F2096507	TUBE-PROCESS GRN	1	EA	
21	A3189370	GASKET-FOAM VA3189370	2	EA	
22	PB070288	1/4" X 1/2" CLOSED CELL SPONGE	1	EA	
23	011666-000	INVERTER, CMPR, ASM	1	EA	
24	PE950149	Power Switch	1	EA	
25	K2096943	Panel Bracket	2	EA	
26	050903-000	CONDENSER FAN ASM	1	EA	
27	014369-000	DIVERTER AIR HI SIDE 36	1	EA	
28	PB920246	TUBE CAPILLARY ASM AR 36 30	1	EA	





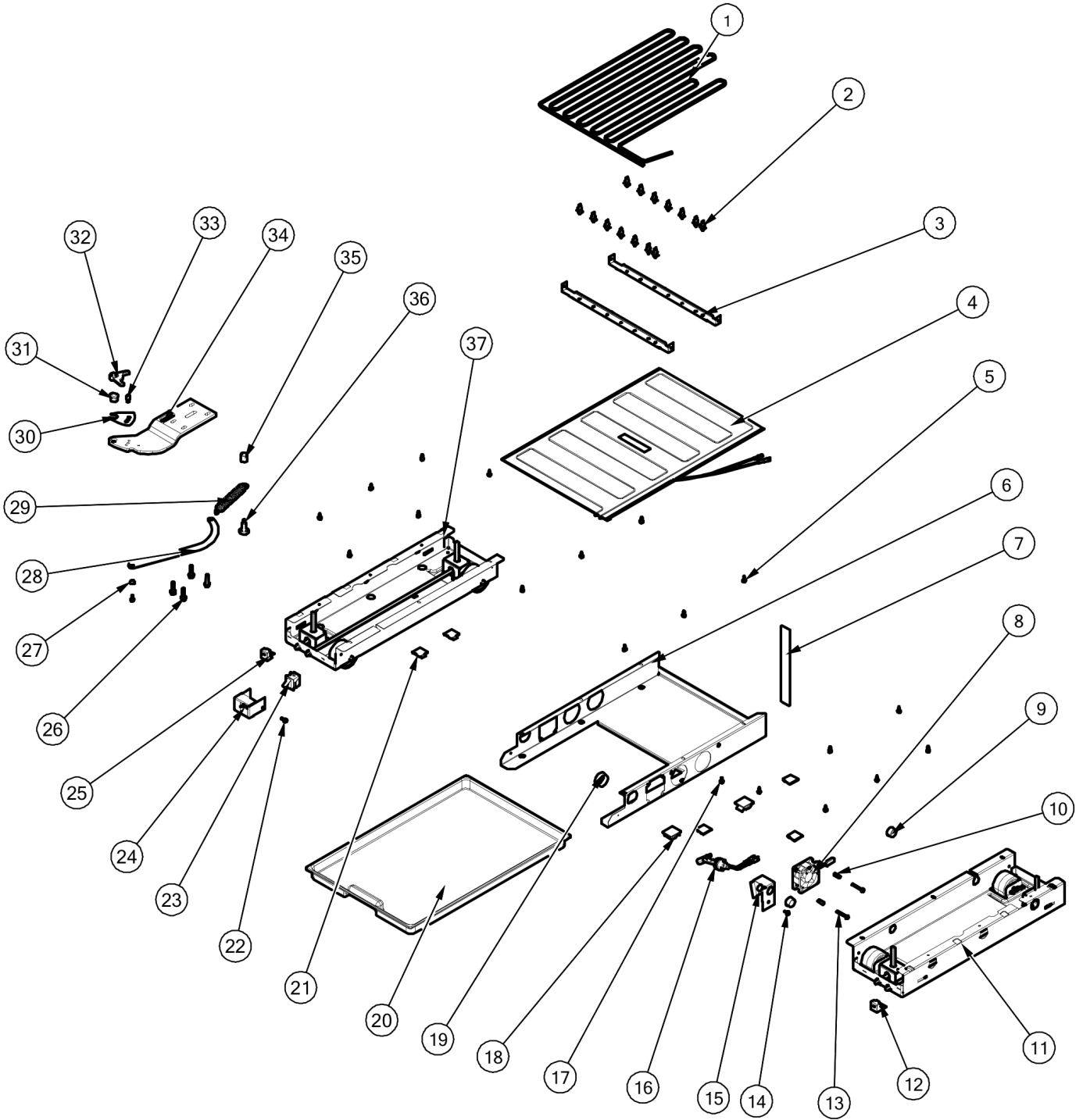
Item	Part No.	Name	Qty	Uom	NOTES
29	PD020010	10 X 3/8 GREEN GROUNDING SCREW	5	EA	
30	M0104106	CLIP-CORD VM0104106	1	EA	
31	003325-000	TUBE DRIER COND	1	EA	
32	PM010616	DRIER - HIGH SIDE	1	EA	
NI	054461-000	HARNESS MACHINE COMP AR	1	EA	

UNIT BOTTOM



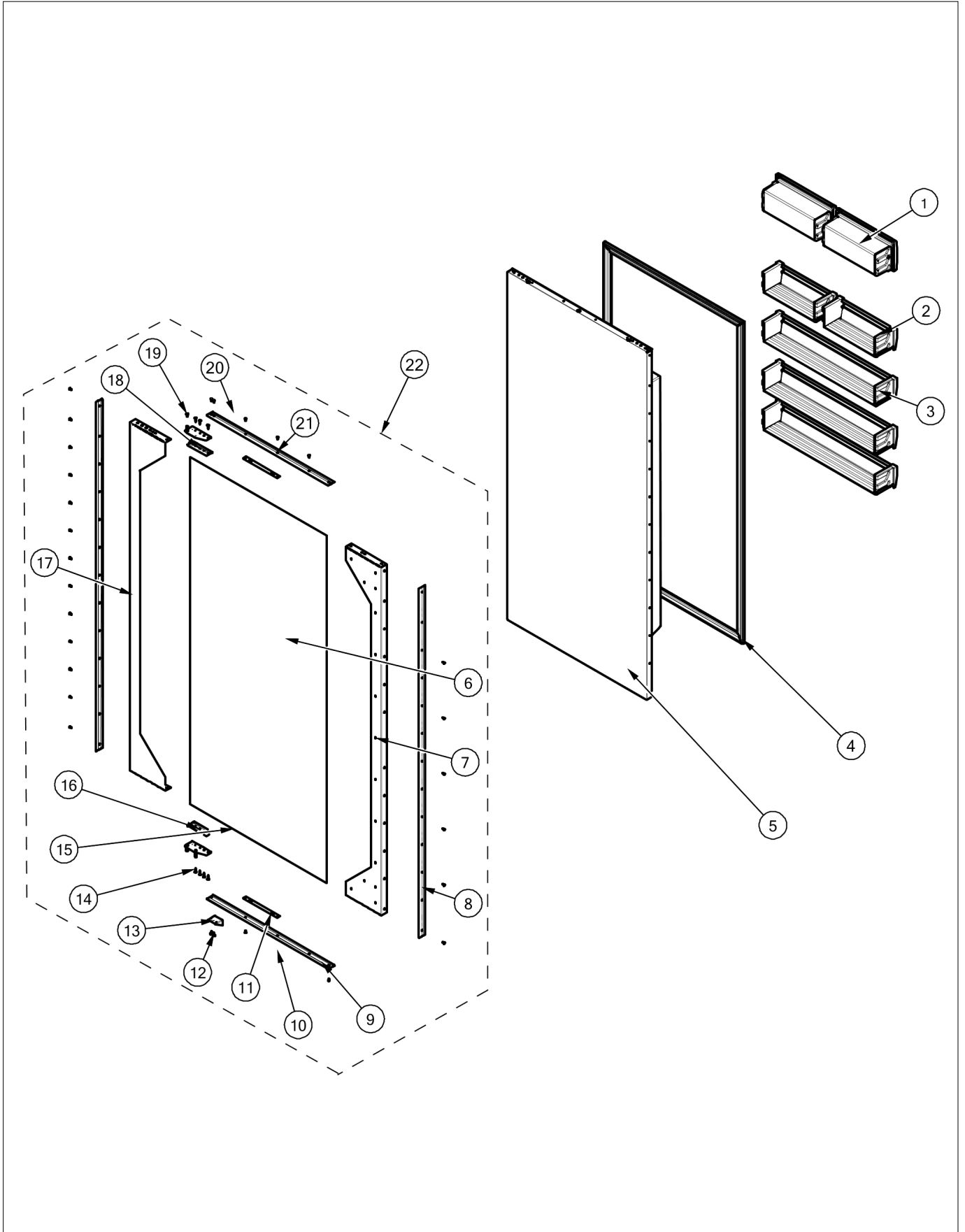


Item	Part No.	Name	Qty	Uom	NOTES
1	F20915696	SERPENTINE LOOP (SEALED SYSTEM COMPONENT)	1	EA	
2	PD030146	STAND OFF LOCK CLIP	14	EA	
3	K20911831	BRACKET CONDENSATE SUPPORT	2	EA	
4	G50911853	TRAY PAN HEATER	1	EA	
5	PD020194	SCR, HEX SRTD WSHR HD, #8-18 X 1/2	18	EA	
6	K20915952	SHIELD BOTTOM DRAIN	1	EA	
7	A3189370	GASKET-FOAM VA3189370	1	EA	
8	004551-000	AXIAL FAN	1	EA	
Comments for Part Num. 004551-000					
gboltz@VikingRange.com on Jul 21, 2016					
View service bulletin TR-0052-SP before ordering fan, if applicable order kit instead of fan					
9	A4554806	BUSHING-SNAP VA4554806	2	EA	
10	011332-000	SPACER,NYL	2	EA	
11	060890-000	LEVELER MODULE R	1	EA	
12	K2098044	BRKT GRILLE SUPPORT	1	EA	
13	PD020274	SCR SLTD HEX WSHR HD 8X1.250 BT	2	EA	
14	M0253916	SCREW-TF	1	EA	
15	B20915627	BRACKET HORIZ FLOAT SWITCH	1	EA	
16	PE050248	FLOAT SWITCH HORIZONTAL	1	EA	
17	PD020010	10 X 3/8 GREEN GROUNDING SCREW	1	EA	
18	M0104102	CLIP-CORD RED	2	EA	
19	A4554817	BUSHING-SNAP VA4554817	1	EA	
20	PK930348	DRAIN PAN	1	EA	
21	m0104106	CLIP-CORD VM0104106	5	EA	
22	M0220417	SCREW-TC	2	EA	
23	046063-000	SWITCH, SPST NC GRAY	1	EA	
24	044939-000	BRACKET, LT SWITCH	1	EA	Not available online / Call for pricing and availability



Item	Part No.	Name	Qty	Uom	NOTES
25	K2098096	BRKT GRILLE SUPPORT	1	EA	
26	000570-000	FASTENER, BOLT, 1/4-20 IHXWS 1" S ZN SER	4	EA	
27	PD940094	BUSHING	1	EA	
28	043258-000	BAR, BOTTOM HINGE, LH, WC	1	EA	
28	043261-000	BAR, BOTTOM HINGE, RH, WC	1	EA	
29	PC910015	EXTENSION SPRING	1	EA	
30	044511-000	PLATE, DOOR, SHIM	1	EA	
31	044373-000	BUSHING, DOOR LEVEL	1	EA	
32	044372-000	BUSHING, DOOR STOP	1	EA	
33	044374-000	PIN, DOOR STOP	1	EA	
34	044046-000	HINGE PLATE, LH, LWR	1	EA	
34	044026-000	HINGE PLATE, RH, LWR	1	EA	
35	PD940107	ROUND SPRING SPACER	1	EA	
36	M0221523	Grommet, Compressor	1	EA	
37	060891-000	LEVELER MODULE L	1	EA	
NI	A3189370	GASKET-FOAM VA3189370	0.5	EA	

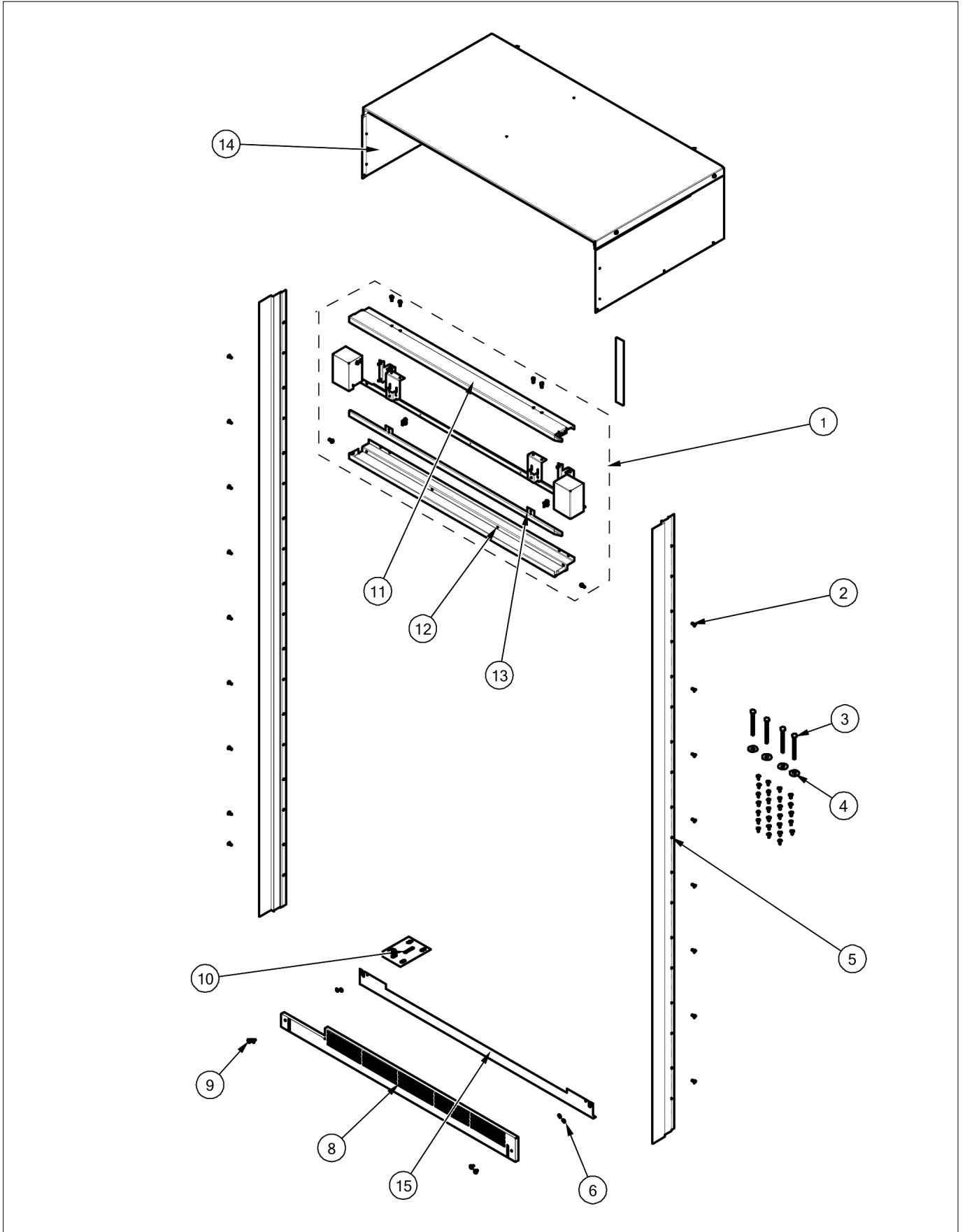
DOOR





Item	Part No.	Name	Qty	Uom	NOTES
1	V12097404	Dairy Module Assy	2	EA	
2	036882-000	DOORBIN ASM FF 36 HALF	2	EA	
3	036884-000	DOORBIN ASM FF 36 FULL	3	EA	
4	005447-000	GASKET,ASM,36,AFAR VID# 602711127-17	1	EA	
5	007388-000	DOOR FOAM ASM AR 36	1	EA	
6	003627-000	SHEET,FOAM, 36 AF/AR	1	EA	
7	000950-000	BRACKET,PNL,FULL OVERLAY	1	EA	
8	000953-000	EXTRUSION,FOL,SIDE	2	EA	
9	002307-000	EXTRUSION,FOL, TOP,36" RIGHT	1	EA	Not available online / Call for pricing and availability
10	M0215318	SCREW-SM	36	EA	
11	008399-000	SPACER,36,30,48FF,FOL	2	EA	
12	M0210458	Screw, SM	2	EA	
13	044314-000	STRIKER, DOOR SWITCH	1	EA	
14	PD920174	10X7/8 PHILLIPS SMA TRI LOBE SA	8	EA	
15	016180-000	PIVOT PL ASM LH LW FOL	1	EA	
15	016179-000	PIVOT PL ASM RH LW FOL	1	EA	
16	034902-000	EXTRUSION, FOL, PIVOT PLATE SPACER, RIGHT	1	EA	
17	007377-000	BRACKET,SIDE,HINGE,FULL OVERLAY	1	EA	
18	034903-000	EXTRUSION, FOL, PIVOT PLATE SPACER, LEFT	1	EA	
19	PD020234	SCREW THP 10-32 X .500 SS BO	1	EA	
20	031379-000	PIVOT PLATE ASM LH UP FOL SXS, AFAR	1	EA	
20	033785-000	PIVOT PLATE ASM RH UP FOL SXS, AFAR	1	EA	
21	002318-000	EXTRUSION,FOL, TOP,36" LEFT	1	EA	
22	048534-000	DOOR ASM COMPLETE AF AR 36 FOL L	1	EA	Not available online / Call for pricing and availability

DECOR



Item	Part No.	Name	Qty	Uom	NOTES
1	048535-000	GRILLE, ASM, 36 AF/AR, FOL, LH	1	EA	
1	048526-000	GRILLE, ASM, 36 AF/AR, FOL, RH	1	EA	
2	M0215318	SCREW-SM	17	EA	
3	M0223509	SCREW-LAG	4	EA	
4	M0270510	WASHER #	4	EA	
5	PK920066	TRIM, EXTRU, SIDE DES	2	EA	
6	40370P01	NYLON FLAT WASHER V40370P01	4	EA	
8	047022-000	VENT, TOE, GRILLE, 36, AF, AR L	1	EA	
9	PD020032	SRW-8(A)X3/8PH.WFR HD 7/16DIA NICL	4	EA	
10	000538-000	SPACER BOTTOM HINGE LL	1	EA	
11	043713-000	GRILLE LOUVER UPPER AF AR 36	1	EA	Not available online / Call for pricing and availability
12	047712-000	GRILLE BOTTOM LOUVER 36	1	EA	Not available online / Call for pricing and availability
13	043716-000	GRILLE LOUVER MID AF AR 36	1	EA	
14	007979-000	MC COVER ASM BI 36	1	EA	
15	044137-000	KICKPLATE, LWR	1	EA	



Appendix A:Pages Index

CONTROL PANEL ..... 1  
DECOR ..... 7  
DOOR ..... 6  
INTERIOR COMPONENTS ..... 2  
INTERIOR SHELVING ..... 3  
UNIT BOTTOM ..... 5  
UNIT TOP ..... 4



Appendix B:Parts Index

000538-000	7	024373-000	2
000570-000	4, 5	024387-000	2
000950-000	6	025433-000	1
000953-000	6	031379-000	6
000975-000	4	033785-000	6
002307-000	6	034902-000	6
002318-000	6	034903-000	6
003325-000	4	036882-000	6
003627-000	6	036884-000	6
004551-000	3, 5	042673-000	3
005319-000	1	042764-000	2
005396-000	1	042766-000	2
005447-000	6	043192-000	2
007301-000	2	043258-000	5
007377-000	6	043261-000	5
007388-000	6	043713-000	7
007979-000	7	043716-000	7
008399-000	6	043844-000	3
010093-000	3	044026-000	5
010866-000	2	044046-000	5
011332-000	5	044137-000	7
011666-000	4	044232-000	3
012396-000	3	044314-000	6
013397-000	2	044358-000	4
014190-000	4	044359-000	4
014369-000	4	044372-000	5
016179-000	6	044373-000	5
016180-000	6	044374-000	5
016446-000	1	044384-000	3
016930-000	1	044385-000	3
019440-000	2	044479-000	1
020467-000	2	044511-000	5
020550-000	2	044694-000	2
023242-000	2	044809-000	3
023363-000	2	044939-000	5
023364-000	2	046063-000	5
023831-000	2	046357-000	2
024279-000	2	046358-000	2
024306-000	2	046385-000	1
024308-000	2	046386-000	1
		046872-000	1



046936-000	1	G31913715	2
046937-000	1	G50911853	5
047016-000	1	G50912334	3
047022-000	7	G50914189	2
047712-000	7	K20911831	5
048246-000	3	K20915000	1
048308-000	1	K20915952	5
048526-000	7	K2096943	4
048534-000	6	K2098044	5
048535-000	7	K2098096	5
049666-000	1	L20913712WH	2
049987-000	2	L20913713WH	2
050894-000	4	M0104102	4, 5
050903-000	4	M0104106	1, 2, 4
054461-000	4	M0210458	6
057309-000	1	M0211021	3
060890-000	5	M0215318	6, 7
060891-000	5	M0220417	5
062776-000	4	M0221523	4, 5
10547001	4	M0223509	7
10699601	4	M0224128	1, 3
10835901	4	M0238859	1
10916507	1	M0253916	2, 5
12064001	1	M0270510	7
12115101	2	M0288120	1
40370P01	7	M0581001	3
A3030361	1	M0585504	1
A3189337	2, 3	PB020268	2
A3189368	3	PB070267	2
A3189370	1, 2, 4, 5, 5	PB070288	2, 4
A4554806	5	PB920171	4
A4554817	1, 5	PB920246	4
B20915627	5	PB970138	2
B8381501	2	PB970187	2
C8983701	2	PB970188	4
F20910729	4	PC910015	5
F20911126	4	PD020010	4, 5
F20913720	2	PD020032	2, 7
F20915696	5	PD020187	1
F2096507	4	PD020193	1, 4
F2097740	4	PD020194	1, 2, 3, 4, 5



PD020195 ..... 3  
PD020234 ..... 6  
PD020274 ..... 5  
PD030118 ..... 4  
PD030146 ..... 5  
PD030148 ..... 2  
PD030162 ..... 2  
PD040150 ..... 2  
PD920162 ..... 3  
PD920174 ..... 6  
PD940094 ..... 5  
PD940107 ..... 5  
PE050248 ..... 5  
PE950149 ..... 4  
PE970464 ..... 1  
PE970609 ..... 1  
PK030445 ..... 2  
PK030446 ..... 2  
PK920066 ..... 7  
PK930173 ..... 3  
PK930174 ..... 3  
PK930175 ..... 3  
PK930176 ..... 3  
PK930278 ..... 3  
PK930283 ..... 3  
PK930284 ..... 3  
PK930285 ..... 3  
PK930286 ..... 3  
PK930348 ..... 5  
PK930424 ..... 2  
PM010616 ..... 4  
PM910280 ..... 2  
PM910287 ..... 3  
PM910288 ..... 3  
PM910334 ..... 3  
PM910455 ..... 2  
V12097404 ..... 6  
m0104106 ..... 5