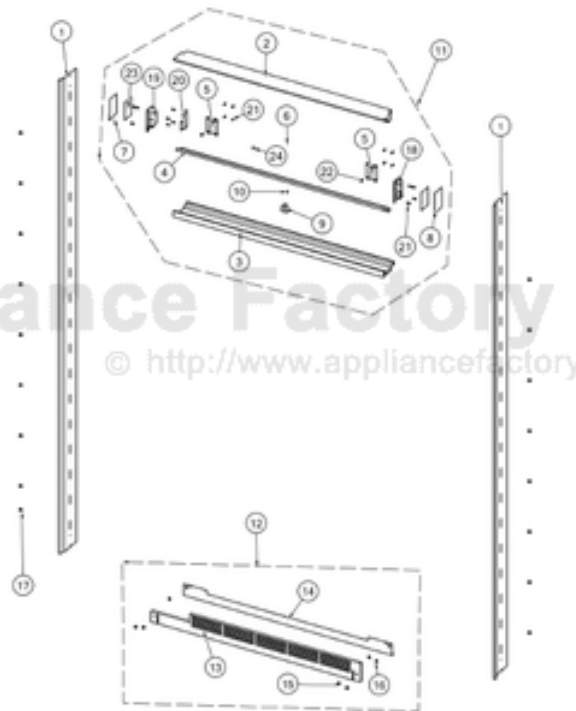


This Owner's Manual is provided and hosted by [Appliance Factory Parts](http://www.appliancefactoryparts.com).



# VIKING FDRB5363 Owner's Manual

[Shop genuine replacement parts for VIKING FDRB5363](#)

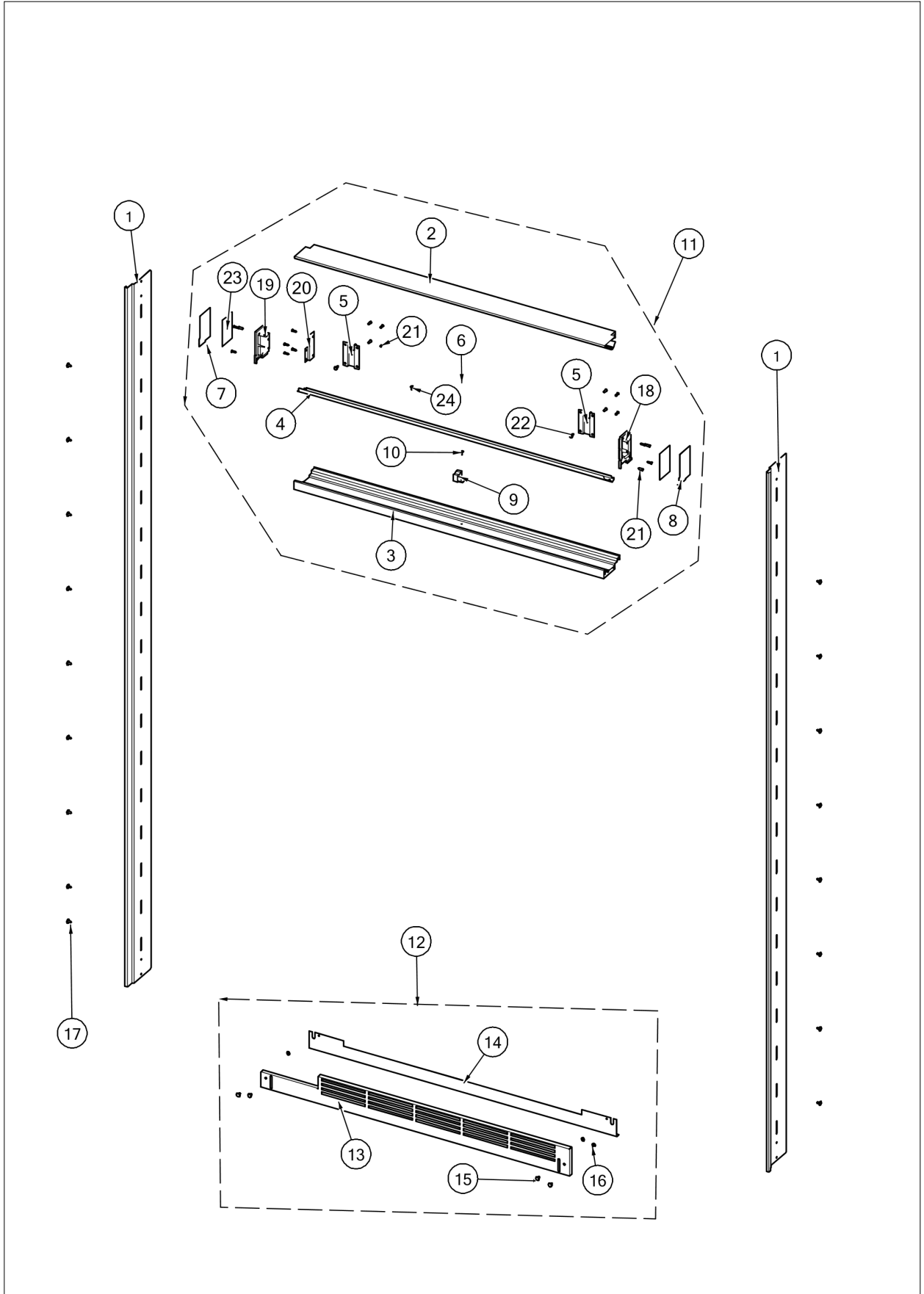


[Find Your VIKING Refrigerator Parts - Select From 341 Models](#)

----- Manual continues below -----

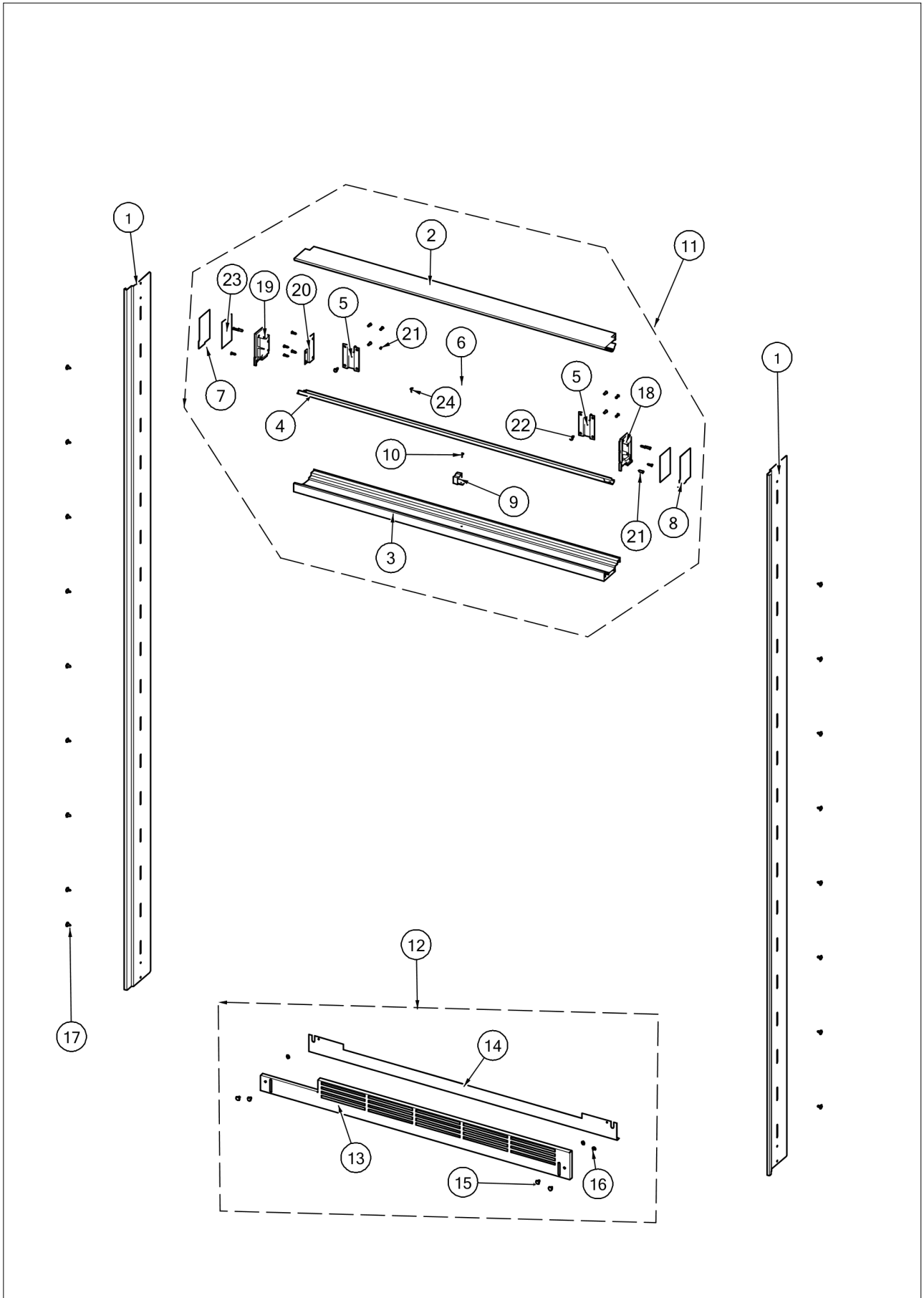
# **FDRB5363 Refrigerator**

DECOR .....	1
FRESH FOOD INTERIOR .....	2
CONTROL .....	3
UNIT TOP .....	4
UNIT BOTTOM .....	5
FDRB5363 Door parts .....	6
Appendix A:Pages Index .....	A
Appendix B:Parts Index .....	B





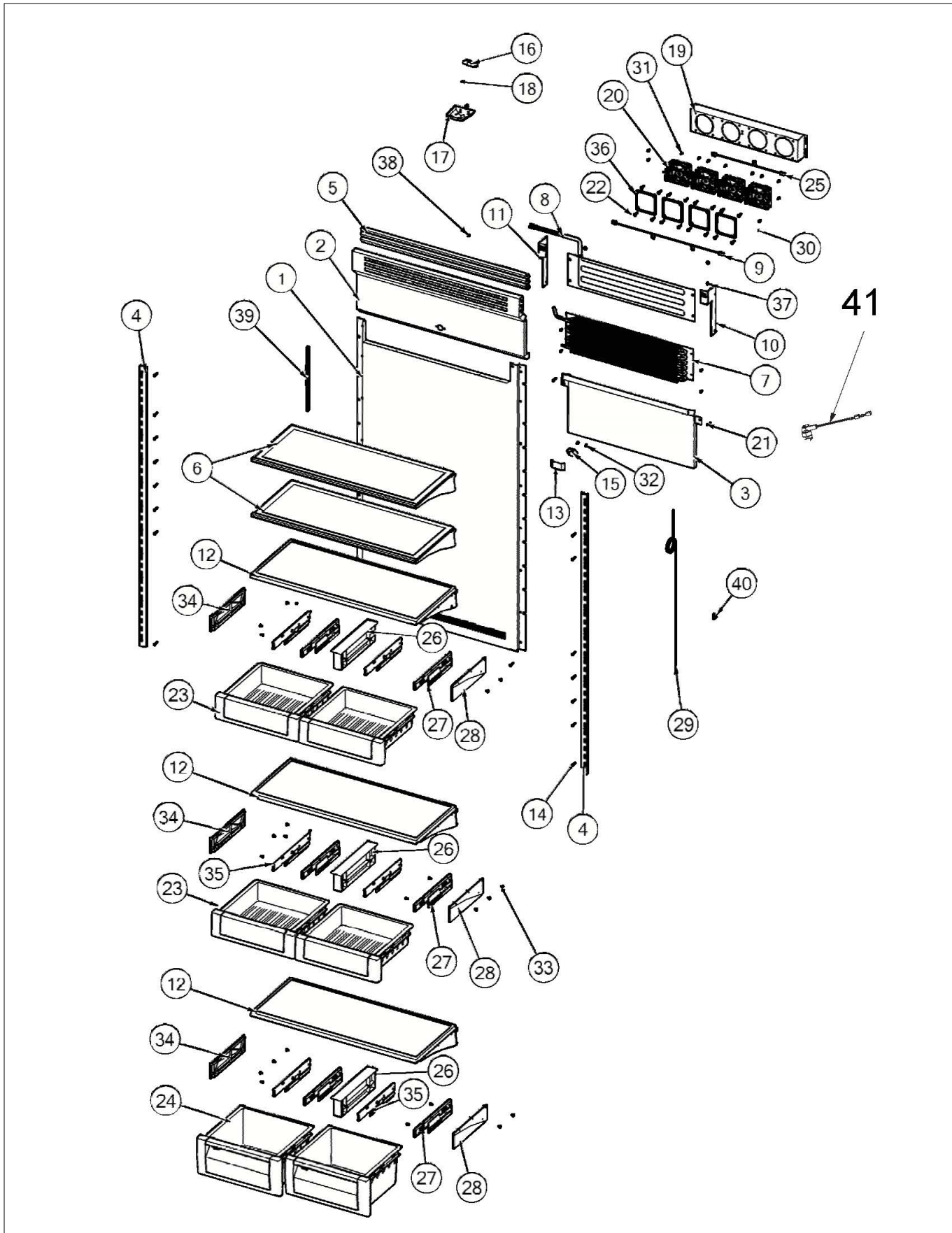
Item	Part No.	Name	Qty	Uom	NOTES
1	PK910123	PRO SIDE TRIM	2	EA	
2	016205-000	GRILLE LOUVER UPPER AF AR 36 DES FOL	1	EA	
3	016206-000	GRILLE LOUVER LOWER AF AR 36 L DES FOL	1	EA	
3	047712-000	GRILLE BOTTOM LOUVER 36		EA	Not available online / Call for pricing and availability
4	052278-000	LOUVER, CTR	1	EA	
5	042922-000	BRACKET, GRILLE	2	EA	Not available online / Call for pricing and availability
7	033709-000	ENDCAP, GRILLE, L, HINGE	1	EA	
7	033729-000	ENDCAP, GRILLE, R, HINGE		EA	
8	033710-000	ENDCAP, GRILLE, R, NO HINGE	1	EA	
8	033707-000	ENDCAP, GRILLE, L, NO HINGE		EA	
9	PM910084	SUPPORT GRILLE 12201201	1	EA	
10	M0230028	SCREW-TC	1	EA	
11	034753-000	GRILLE, ASM, 36 AF/AR, FOL, LH	1	EA	
11	034752-000	GRILLE, ASM, 36 AF/AR, DES, RH	1	EA	
12	047907-000	GRILLE, TOE, ASM, 36 AF, AR L	1	EA	
12	047904-000	GRILLE, TOE, ASM, 36 AF, AR, R	1	EA	
<p>Comments for Part Num. 047904-000</p> <p>bradleysapplianceservice@shaw.ca on Jun 15, 2017</p> <p>047904-000 TOE GRILLE ASM 36 AF AR RH SS (STAINLESS STEEL)</p>					
13	047022-000	VENT, TOE, GRILLE, 36, AF, AR L	1	EA	
13	047021-000	VENT, TOE, GRILLE, 36, AF, AR, R	1	EA	
14	047920-000	KICKPLATE, LWR	1	EA	
15	PD020032	SRW-8(A)X3/8PH.WFR HD 7/16DIA NICL	4	EA	
16	40370P01	NYLON FLAT WASHER V40370P01	4	EA	





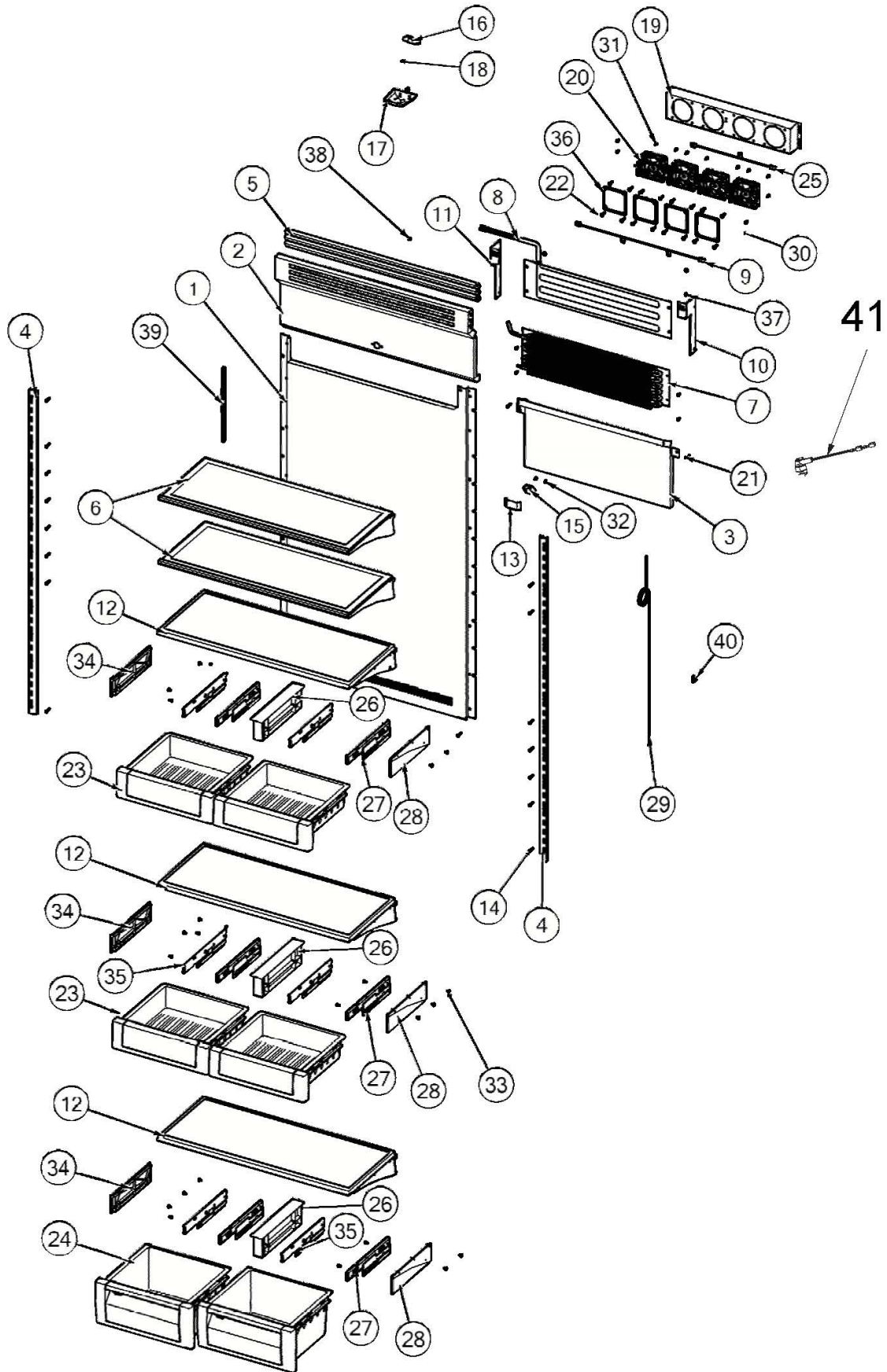
Item	Part No.	Name	Qty	Uom	NOTES
17	PD020032	SRW-8(A)X3/8PH.WFR HD 7/16DIA NICKL	17	EA	
18	PM910348	ENP CAP GRILLE R	1	EA	
19	PM910349	END CAP GRILLE L	1	EA	
20	K2099471	BRACKET GRILLE SUPPORT L	1	EA	
20	K2099470	BRACKET GRILLE SUPPORT R	1	EA	
21	003004-000	8 - 18 X 1/2 ZN/CLR PHIL FLAT TRIM HD NO.5 TYPE AB TAPPING SCREW	19	EA	
22	PD020194	SCR, HEX SRTD WSHR HD, #8- 18 X 1/2	2	EA	
23	034181-000	TAPE,DBL,SIDED ENDCAPS	2	EA	Not available online / Call for pricing and availability
24	M0224128	SCREW-SM	2	EA	

FRESH FOOD INTERIOR





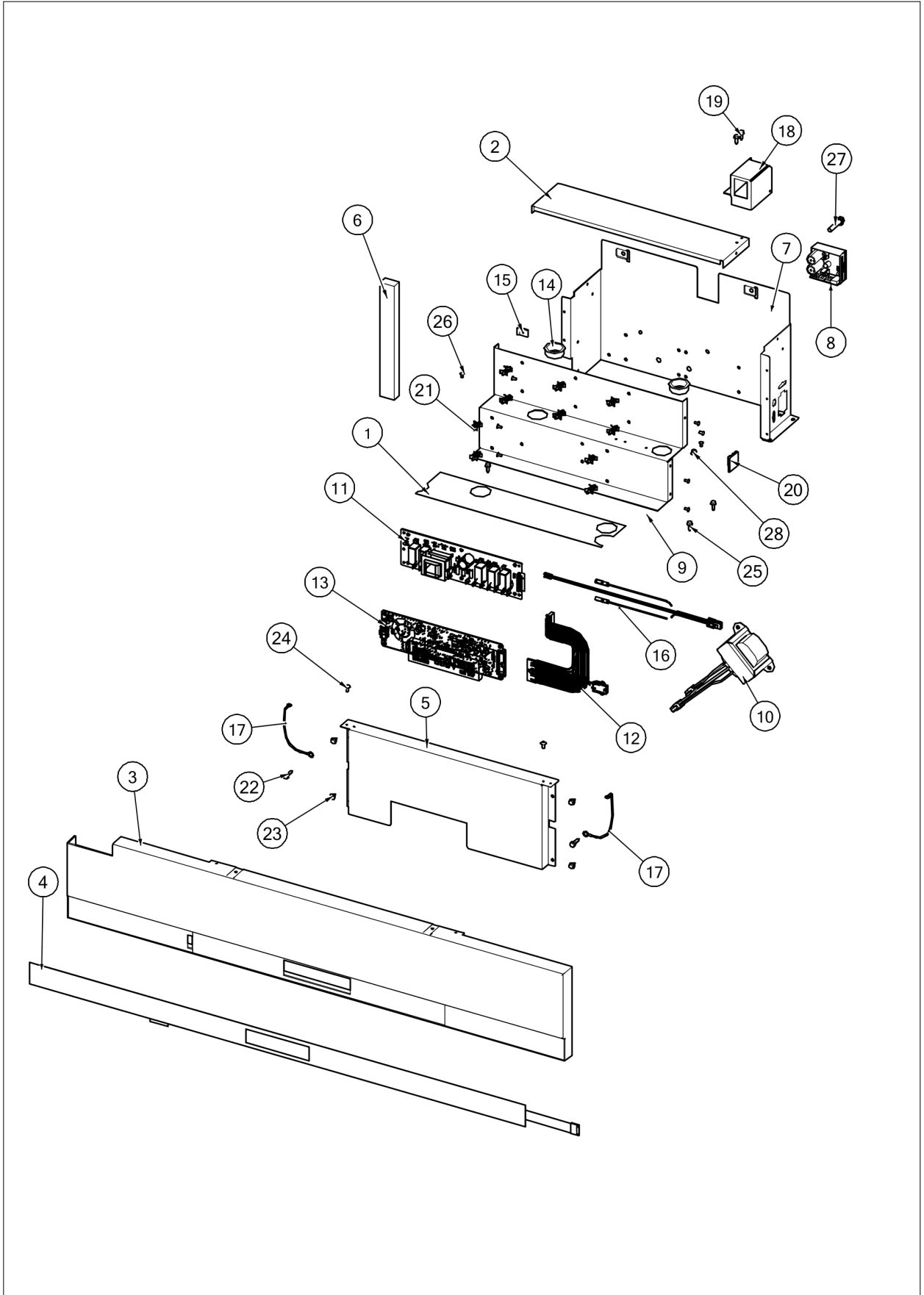
Item	Part No.	Name	Qty	Uom	NOTES
1	051575-000	COVER SUMP UPPER AR 36, W/TAB	1	EA	Not available online / Call for pricing and availability
2	054803-000	COVER, EVAP DEEP, SNAP FEATURE, AR 36	1	EA	
3	051867-000	SUPPORT, BACK, AR	1	EA	Not available online / Call for pricing and availability
4	051414-000	LADDER SIDE AR PIZZA	2	EA	
5	054171-000	LOUVER, AR, 36	3	EA	Not available online / Call for pricing and availability
6	042673-000	SHELF, GL, 36" NANO SHELF ASSY	2	EA	
7	PM910455	EVAPORATOR AR 36	1	EA	
8	056483-000	HEATER, EVAP, WITH FUSE, AR 36	1	EA	
9	020550-000	HARNESS,FAN,SPLT,3	1	EA	
10	054807-000	BRACKET, EVAP, COVER, R, AR, SNAP	1	EA	
11	054842-000	BRACKET, EVAP, COVER, L, AR, SNAP	1	EA	
12	043203-000	SHELF ASM GLASS AR/BM 36	3	EA	
13	050844-000	COVER, THERMISTOR, FF	1	EA	
14	013397-000	1" PAINTED LADDER SCREW	22	EA	
15	C8983701	THERMISTOR	1	EA	
16	010093-000	PLASMA CLUSTER	1	EA	
17	043844-000	HOUSING, PCI, BM	1	EA	
18	014399-000	TAPE,FOAM,DBL SIDED	1	EA	Not available online / Call for pricing and availability
19	054214-000	FAN BRACKET, AR, 36	1	EA	Not available online / Call for pricing and availability
20	055002-000	FAN, LARGE, AR 30/36	4	EA	
21	010866-000	SCR WH SLTD HEX WSHR HD #8-18 X 1	2	EA	
22	007301-000	GROMMET,RUBBER	16	EA	





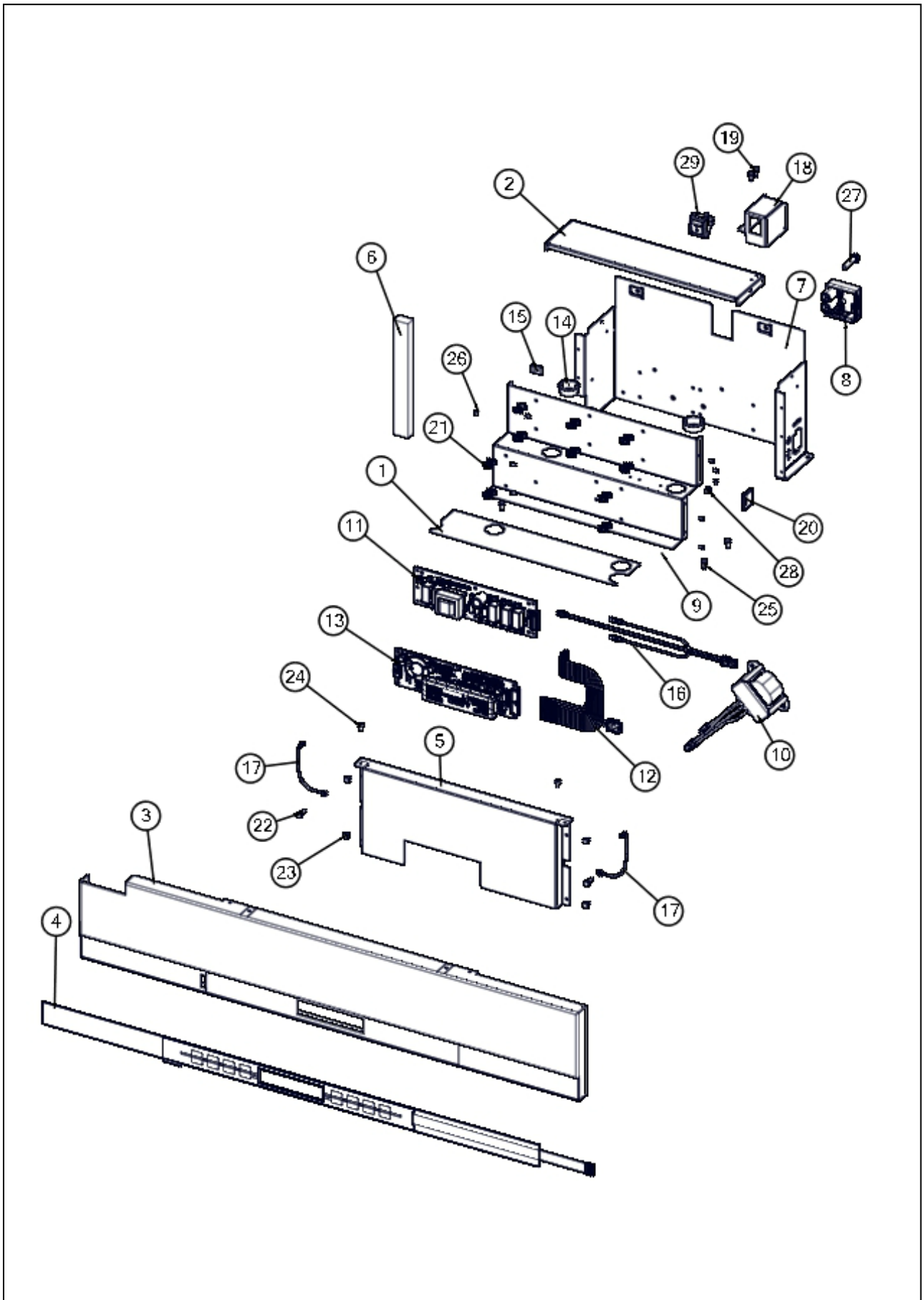
Item	Part No.	Name	Qty	Uom	NOTES
23	G50912334	DRAWER DELI ASM AR 36	4	EA	
24	012396-000	DRAWER,PRODUCE,ASM 36 AR/BM	2	EA	
25	020549-000	HARNESS,FAN,SPLT,2	1	EA	
26	PK030439	GLIDE CENTER SUPPORT AR 36	3	EA	
27	046235-000	SLIDE, DWR, SOFT CLOSE - RH	6	EA	
28	044214-000	SUPPORT SLIDE R	3	EA	
29	055004-000	TUBE CAPILLARY ASM AR 30/36	1	EA	
30	PD020194	SCR, HEX SRTD WSHR HD, #8-18 X 1/2	6	EA	
31	024279-000	FASTENER,SRTD,HXWH,BLK,#8-18 X 1/2	4	EA	
32	M0253916	SCREW-TF	2	EA	
33	PD920161	SCR 8-16 PLASTITE PNP 3/8 S	24	EA	
34	044219-000	SUPPORT SLIDE L	3	EA	
35	046255-000	SLIDE, DWR, SOFT CLOSE - LH	6	EA	
36	056228-000	GASKET, MOUNT, FAN, LARGE, AR 36	4	EA	Not available online / Call for pricing and availability
37	M0274067	WASHER-NYLON	8	EA	
38	12115101	CLAMP-TUBE V12115101	1	EA	
39	PB070288	1/4" X 1/2" CLOSED CELL SPONGE	4	EA	
40	M0104106	CLIP-CORD VM0104106	1	EA	
41	058966-000	Defrost Terminator	1	EA	
NI	054360-000	THERMISTOR, EVAP, 36 AR	1	EA	

CONTROL



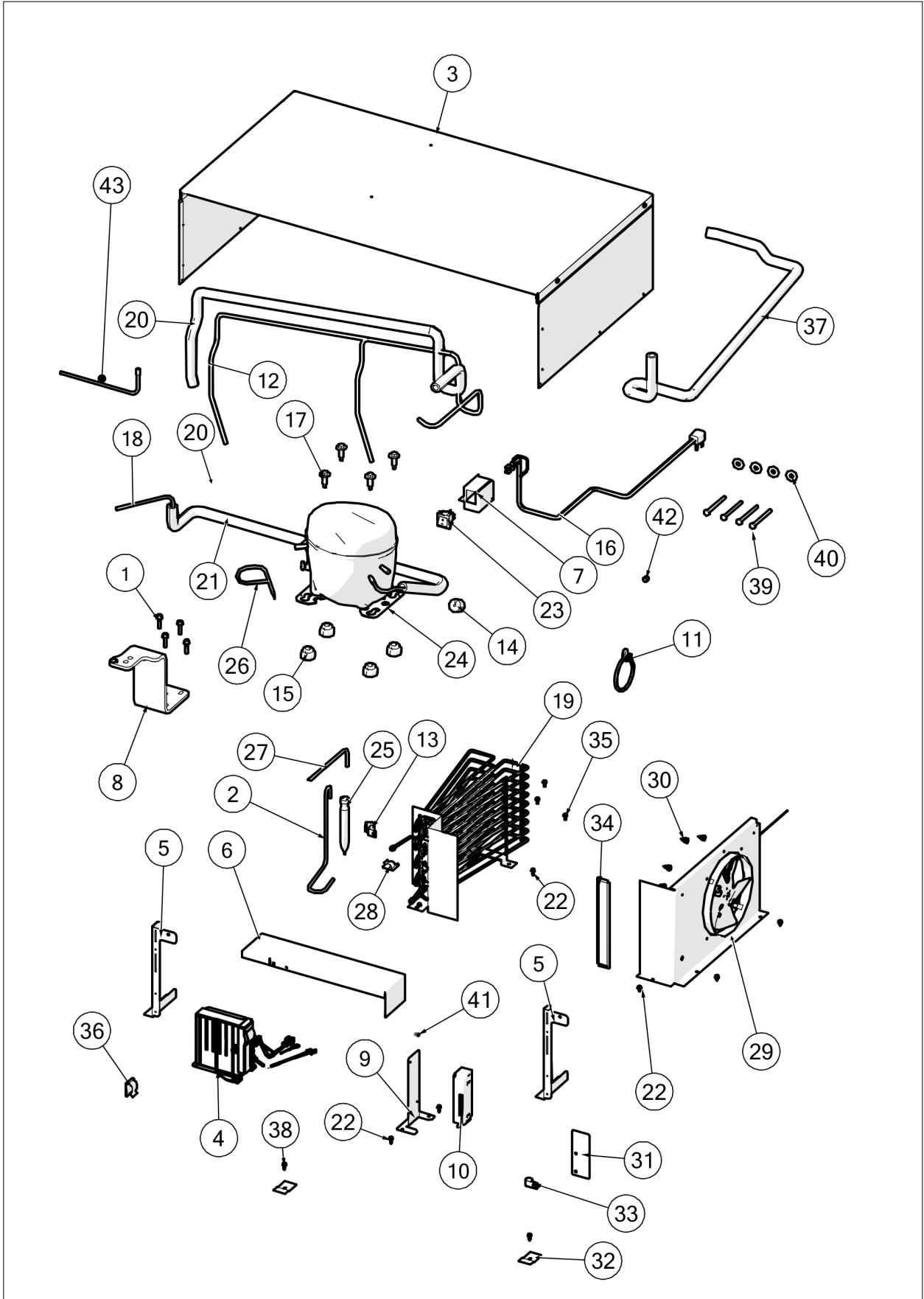


Item	Part No.	Name	Qty	Uom	NOTES
1	005396-000	FILM,PROTECTIVE	1	EA	
2	K20915000	CONTROL BOX TOP	1	EA	
3	016446-000	PANEL CONTROL AF/AR 36 L	1	EA	Not available online / Call for pricing and availability
3	016448-000	PANEL CONTROL AF/AR 36 R	1	EA	
4	046872-000	OVERLAY, SW, ASM, AR 36	1	EA	
5	016930-000	MOTR CONTROL BOX FRONT	1	EA	
6	A3030361	GASKET RED	1	EA	
7	047016-000	MOTOR CONTROL BOX	1	EA	Not available online / Call for pricing and availability
8	046385-000	CIRCUIT, LED SOFT START	1	EA	
9	044479-000	MOTOR BRACKET PCB	1	EA	
10	046386-000	TRANSFORMER, LED SOFT START	1	EA	
11	005319-000	High Voltage Board	1	EA	
<p>Comments for Part Num. 005319-000</p> <p>boltz on Apr 12, 2018 See TR-0056-SP Bulletin</p>					
12	PE970464	HARNES LOW VOLT	1	EA	
13	057309-000	BOARD, LOW VOLTAGE	1	EA	
14	A4554817	BUSHING-SNAP VA4554817	2	EA	
15	M0288120	NUT-SPEED VM0288120	1	EA	
16	PE970609	HARNES CONTROL BOARD	1	EA	
17	12064001	SUPP-CONT PANEL	2	EA	
18	025433-000	BRACKET,SW,POWER	1	EA	
19	PD020194	SCR, HEX SRTD WSHR HD, #8-18 X 1/2	2	EA	
20	M0104106	CLIP-CORD VM0104106	1	EA	
21	M0585504	SUPPORT	10	EA	
22	M0238859	SCREW-SHLDR	2	EA	



Item	Part No.	Name	Qty	Uom	NOTES
Comments for Part Num. M0238859  karen@knservice.com on Oct 22, 2015 the description describes the part as "screw shoulder" but it is the only arrow pointing at the fan motor. the actual shoulder screw has the same part numer as the fan blade					
23	PD020193	SCR 8-18 X 3/8	4	EA	
24	M0224128	SCREW-SM	2	EA	
25	PD020194	SCR, HEX SRTD WSHR HD, #8-18 X 1/2	4	EA	
26	PC040010	POP RIVET (.063/GR -.125) GAMD42-A	2	EA	
27	048308-000	SCREW, 1/4-20 X 1.25 NBS	1	EA	
28	PD020187	SCR 8-32 MCH HXWS 1/4 S ZN	2	EA	
29	PE950149	Power Switch	1	EA	

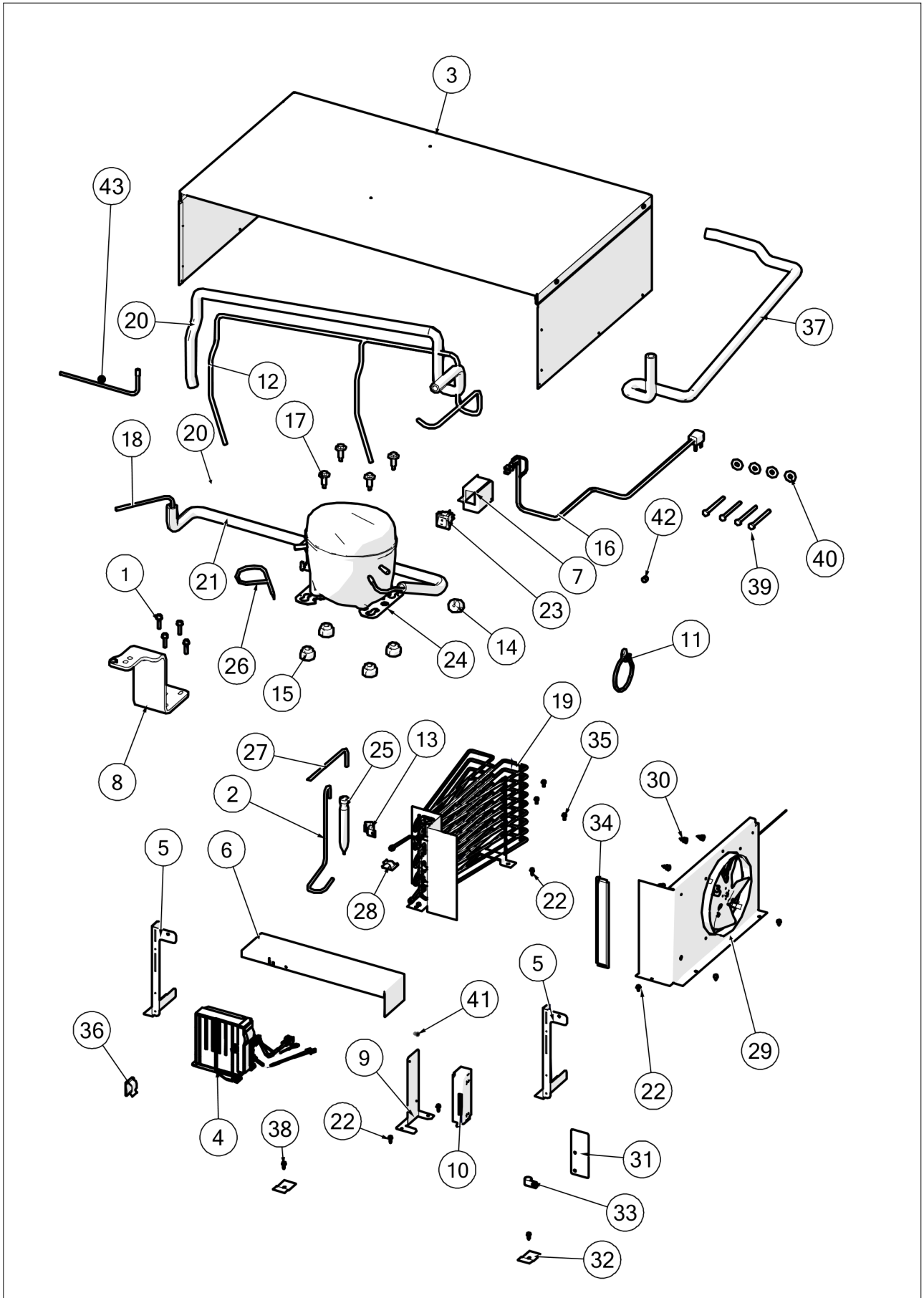
UNIT TOP







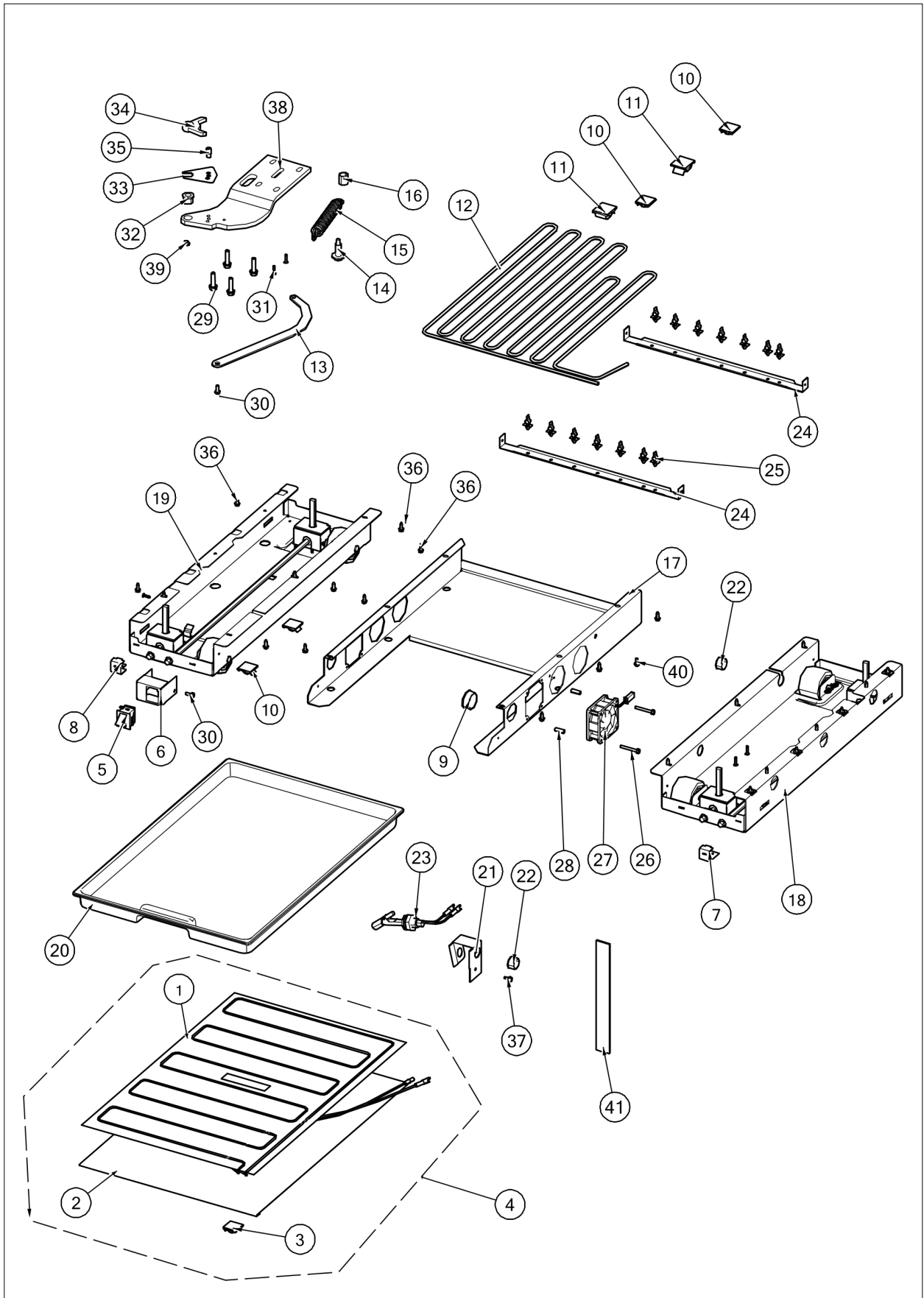
Item	Part No.	Name	Qty	Uom	NOTES
1	000570-000	FASTENER, BOLT, 1/4-20 IHXWS 1" S ZN SER	4	EA	
2	003325-000	TUBE DRIER COND	1	EA	
3	007979-000	MC COVER ASM BI 36	1	EA	
4	011666-000	INVERTER,CMPR,ASM	1	EA	
5	014190-000	BRACKET, GRILLE SUPPORT	2	EA	
6	014369-000	DIVERTER AIR HI SIDE 36	1	EA	
7	025433-000	BRACKET,SW,POWER	1	EA	
8	044358-000	UPPER HINGE ASM, LH	1	EA	
8	044359-000	UPPER HINGE ASM, RH	1	EA	
9	050009-000	BRKT, POWER SUPPLY	1	EA	
10	050036-000	ASSY, REF, 24VDC, PWR SUP, TERM	1	EA	
11	M0322202	TIE-WIRE	1	EA	
12	F20911126	TUBE SUCTION AR 30	1	EA	
13	10547001	CLIP-DRIER V10547001	1	EA	
14	10699601	DAMPER-TUBING .8	2	EA	
15	10835901	GROMMET RUBBER V10835901	4	EA	
16	10916507	CORD-POWER V10916507	1	EA	
17	M0221523	Grommet, Compressor	4	EA	
18	F20910729	TUBE DISCHARGE AF AR 30	1	EA	
19	PB920171	Condenser Assembly	1	EA	
20	PB970188	INSULATION TUBING 45.000	1	EA	
21	PB970188	INSULATION TUBING 45.000	1	EA	
22	PD02019	SCR, HEX SRTD WSHR HD, #8- 18 X 1/2	13	EA	
23	PE950149	Power Switch	1	EA	
24	PM010620	COMPRESSOR VCC	1	EA	
25	PM010616	DRIER - HIGH SIDE	1	EA	
26	F2096507	TUBE-PROCESS GRN	1	EA	
27	F2097740	TUBE PROCESS	1	EA	
28	M0104106	CLIP-CORD VM0104106	1	EA	
29	050903-000	CONDENSER FAN ASM	1	EA	





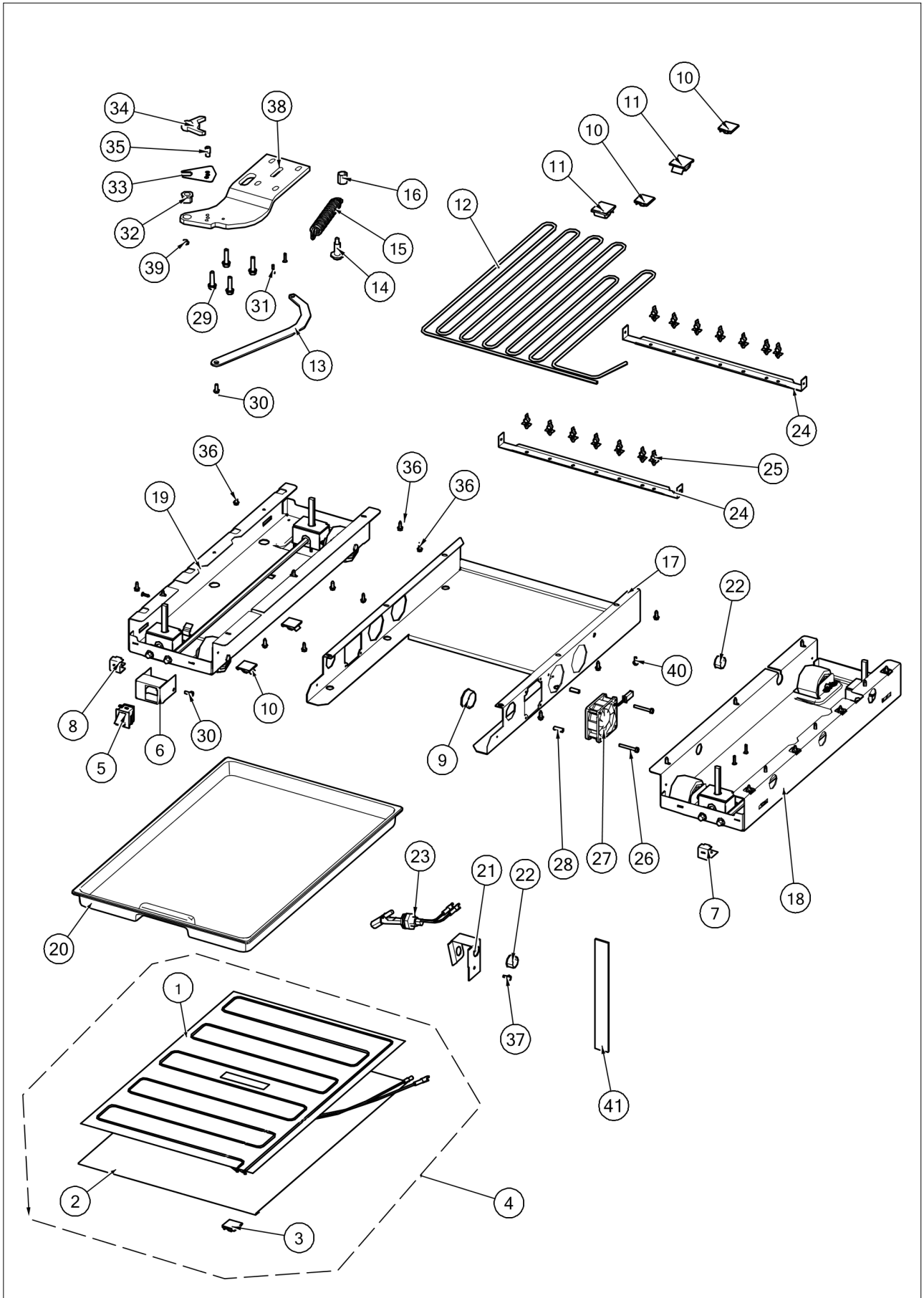
Item	Part No.	Name	Qty	Uom	NOTES
30	PD020038	SCREW-#10 X 3/8 HEX WH.HD.T(F)GREEN	10	EA	
31	000975-000	SUPPORT, FAN SWITCH	2	EA	
32	K2096943	Panel Bracket	2	EA	
33	PD030118	INSULATED CLAMP	1	EA	
34	A3189370	GASKET-FOAM VA3189370	2	EA	
35	PD020010	10 X 3/8 GREEN GROUNDING SCREW	4	EA	
36	M0104102	CLIP-CORD RED	1	EA	
37	PB970187	INSULATION TUBING 57.500	1	EA	
38	PD020194	SCR, HEX SRTD WSHR HD, #8- 18 X 1/2	2	EA	
39	M0223509	SCREW-LAG	4	EA	
40	M0270510	WASHER #	4	EA	
41	PD020223	SCREW PHP 6-32 X .250	8	EA	
42	007407-000	RING,LOK, .187 DIA	1	EA	
43	062792-000	EVAPORATOR TUBE EXTENSION	1	EA	

UNIT BOTTOM





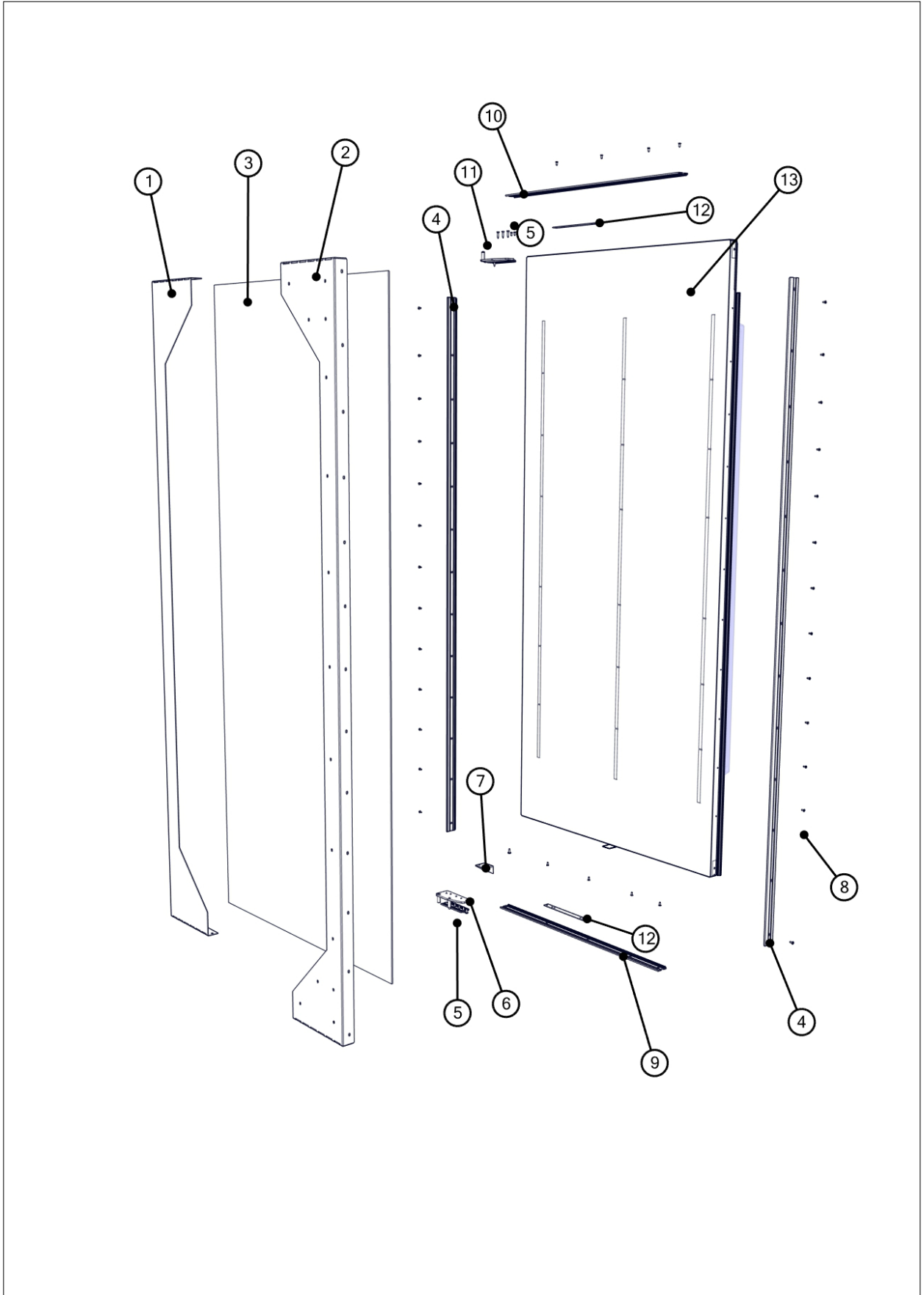
Item	Part No.	Name	Qty	Uom	NOTES
1	G50911853	TRAY PAN HEATER	1	EA	
2	L20914124WH	TRAY PAN HEATER	1	EA	
3	M0104106	CLIP-CORD VM0104106	1	EA	
4	G50911853	TRAY PAN HEATER	1	EA	
5	046063-000	SWITCH, SPST NC GRAY	1	EA	
6	044939-000	BRACKET, LT SWITCH	1	EA	Not available online / Call for pricing and availability
7	K2098044	BRKT GRILLE SUPPORT	1	EA	
8	K2098096	BRKT GRILLE SUPPORT	1	EA	
9	A4554817	BUSHING-SNAP VA4554817	1	EA	
10	M0104106	CLIP-CORD VM0104106	4	EA	
11	M0104102	CLIP-CORD RED	2	EA	
12	F20915696	SERPENTINE LOOP (SEALED SYSTEM COMPONENT)	1	EA	
13	043258-000	BAR, BOTTOM HINGE, LH, WC	1	EA	
13	043261-000	BAR, BOTTOM HINGE, RH, WC	1	EA	
14	M0221523	Grommet, Compressor	1	EA	
15	003867-000	SPRING EXTENSION	1	EA	
16	PD940107	ROUND SPRING SPACER	1	EA	
17	K20915952	SHIELD BOTTOM DRAIN	1	EA	
18	060890-000	LEVELER MODULE R	1	EA	
19	060891-000	LEVELER MODULE L	1	EA	
20	PK930348	DRAIN PAN	1	EA	
21	B20915627	BRACKET HORIZ FLOAT SWITCH	1	EA	
22	A4554806	BUSHING-SNAP VA4554806	2	EA	
23	PE050248	FLOAT SWITCH HORIZONTAL	1	EA	
24	K20911831	BRACKET CONDENSATE SUPPORT	2	EA	
25	PD030146	STAND OFF LOCK CLIP	14	EA	
26	PD020274	SCR SLTD HEX WSHR HD 8X1.250 BT	2	EA	
27	004551-000	AXIAL FAN	1	EA	





Item	Part No.	Name	Qty	Uom	NOTES
Comments for Part Num. 004551-000					
gboltz@VikingRange.com on Jul 21, 2016					
View service bulletin TR-0052-SP before ordering fan, if applicable order kit instead of fan					
28	011332-000	SPACER,NYL	2	EA	
29	000570-000	FASTENER, BOLT, 1/4-20 IHXWS 1" S ZN SER	4	EA	
30	M0220417	SCREW-TC	2	EA	
31	PC940017	POP RIVET, 1/8" X 1/2"	2	EA	Not available online / Call for pricing and availability
32	044373-000	BUSHING, DOOR LEVEL	1	EA	
33	044511-000	PLATE, DOOR, SHIM	1	EA	
34	044372-000	BUSHING, DOOR STOP	1	EA	
35	044374-000	PIN, DOOR STOP	1	EA	
36	PD020194	SCR, HEX SRTD WSHR HD, #8- 18 X 1/2	18	EA	
37	M0253916	SCREW-TF	1	EA	
38	044046-000	HINGE PLATE, LH, LWR	1	EA	
38	044026-000	HINGE PLATE, RH, LWR	1	EA	
39	PD940094	BUSHING	1	EA	
40	PD020010	10 X 3/8 GREEN GROUNDING SCREW	10	EA	
41	A3189370	GASKET-FOAM VA3189370	1	EA	

FDRB5363 Door parts







Item	Part No.	Name	Qty	Uom	NOTES
1	007377-000	BRACKET,SIDE,HINGE,FULL OVERLAY	1	EA	
2	000950-000	BRACKET,PNL,FULL OVERLAY	1	EA	
3	003627-000	SHEET,FOAM, 36 AF/AR	1	EA	
4	000953-000	EXTRUSION,FOL,SIDE	2	EA	
5	034902-000	EXTRUSION, FOL, PIVOT PLATE SPACER, RIGHT	1	EA	
6	044507-000	PIVOT PLATE, LOWER, LH FOL	1	EA	Not available online / Call for pricing and availability
6	044508-000	PIVOT PLATE, LOWER, RH FOL	1	EA	
7	044314-000	STRIKER, DOOR SWITCH	1	EA	
8	M0215318	SCREW-SM	36	EA	
9	002307-000	EXTRUSION,FOL, TOP,36" RIGHT	1	EA	Not available online / Call for pricing and availability
10	002318-000	EXTRUSION,FOL, TOP,36" LEFT	1	EA	
11	044506-000	PIVOT PLATE, UPPER, LH FOL	1	EA	
11	044505-000	PIVOT PLATE ASM RH UP FOL	1	EA	
12	008399-000	SPACER,36,30,48FF,FOL	2	EA	
13	007388-000	DOOR FOAM ASM AR 36	1	EA	



Appendix A:Pages Index

CONTROL ..... 3  
DECOR ..... 1  
FDRB5363 Door parts ..... 6  
FRESH FOOD INTERIOR ..... 2  
UNIT BOTTOM ..... 5  
UNIT TOP ..... 4



Appendix B:Parts Index

000570-000	4, 5	033729-000	1
000950-000	6	034181-000	1
000953-000	6	034752-000	1
000975-000	4	034753-000	1
002307-000	6	034902-000	6
002318-000	6	042673-000	2
003004-000	1	042922-000	1
003325-000	4	043203-000	2
003627-000	6	043258-000	5
003867-000	5	043261-000	5
004551-000	5	043844-000	2
005319-000	3	044026-000	5
005396-000	3	044046-000	5
007301-000	2	044214-000	2
007377-000	6	044219-000	2
007388-000	6	044314-000	6
007407-000	4	044358-000	4
007979-000	4	044359-000	4
008399-000	6	044372-000	5
010093-000	2	044373-000	5
010866-000	2	044374-000	5
011332-000	5	044479-000	3
011666-000	4	044505-000	6
012396-000	2	044506-000	6
013397-000	2	044507-000	6
014190-000	4	044508-000	6
014369-000	4	044511-000	5
014399-000	2	044939-000	5
016205-000	1	046063-000	5
016206-000	1	046235-000	2
016446-000	3	046255-000	2
016448-000	3	046385-000	3
016930-000	3	046386-000	3
020549-000	2	046872-000	3
020550-000	2	047016-000	3
024279-000	2	047021-000	1
025433-000	3, 4	047022-000	1
033707-000	1	047712-000	1
033709-000	1	047904-000	1
033710-000	1	047907-000	1
		047920-000	1



# FDRB5363 Refrigerator

048308-000	3	F2097740	4
050009-000	4	G50911853	5, 5
050036-000	4	G50912334	2
050844-000	2	K20911831	5
050903-000	4	K20915000	3
051414-000	2	K20915952	5
051575-000	2	K2096943	4
051867-000	2	K2098044	5
052278-000	1	K2098096	5
054171-000	2	K2099470	1
054214-000	2	K2099471	1
054360-000	2	L20914124WH	5
054803-000	2	M0104102	4, 5
054807-000	2	M0104106	2, 3, 4, 5, 5
054842-000	2	M0215318	6
055002-000	2	M0220417	5
055004-000	2	M0221523	4, 5
056228-000	2	M0223509	4
056483-000	2	M0224128	1, 3
057309-000	3	M0230028	1
058966-000	2	M0238859	3
060890-000	5	M0253916	2, 5
060891-000	5	M0270510	4
062792-000	4	M0274067	2
10547001	4	M0288120	3
10699601	4	M0322202	4
10835901	4	M0585504	3
10916507	4	PB070288	2
12064001	3	PB920171	4
12115101	2	PB970187	4
40370P01	1	PB970188	4, 4
A3030361	3	PC040010	3
A3189370	4, 5	PC940017	5
A4554806	5	PD020010	4, 5
A4554817	3, 5	PD020032	1, 1
B20915627	5	PD020038	4
C8983701	2	PD020187	3
F20910729	4	PD02019	4
F20911126	4	PD020193	3
F20915696	5	PD020194	1, 2, 3, 3, 4, 5
F2096507	4	PD020223	4



PD020274	5
PD030118	4
PD030146	5
PD920161	2
PD940094	5
PD940107	5
PE050248	5
PE950149	3, 4
PE970464	3
PE970609	3
PK030439	2
PK910123	1
PK930348	5
PM010616	4
PM010620	4
PM910084	1
PM910348	1
PM910349	1
PM910455	2