

This Owner's Manual is provided and hosted by [Appliance Factory Parts](#).



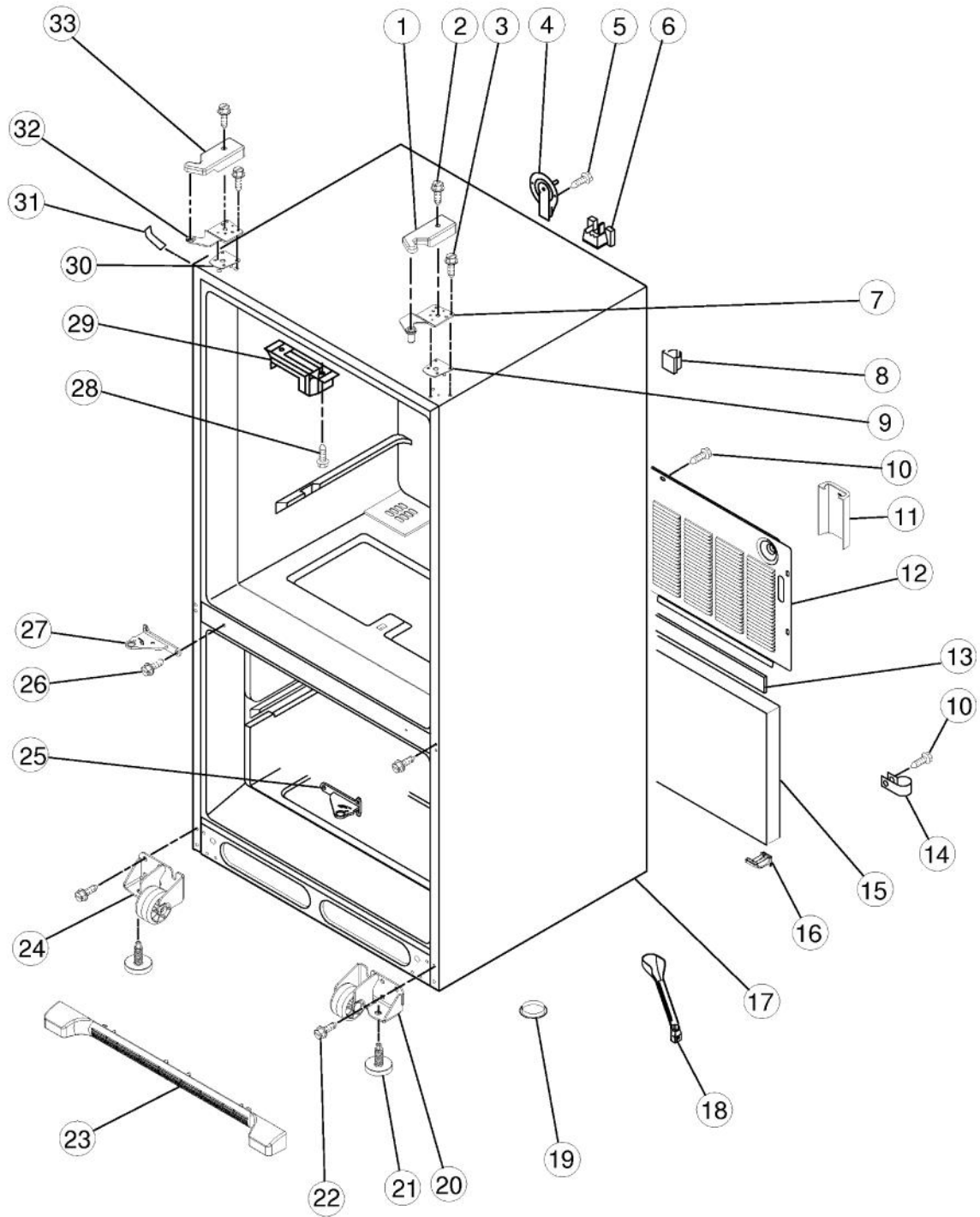
VIKING RDDFF236SS02_1 Owner's Manual

[Shop genuine replacement parts for VIKING
RDDFF236SS02_1](#)

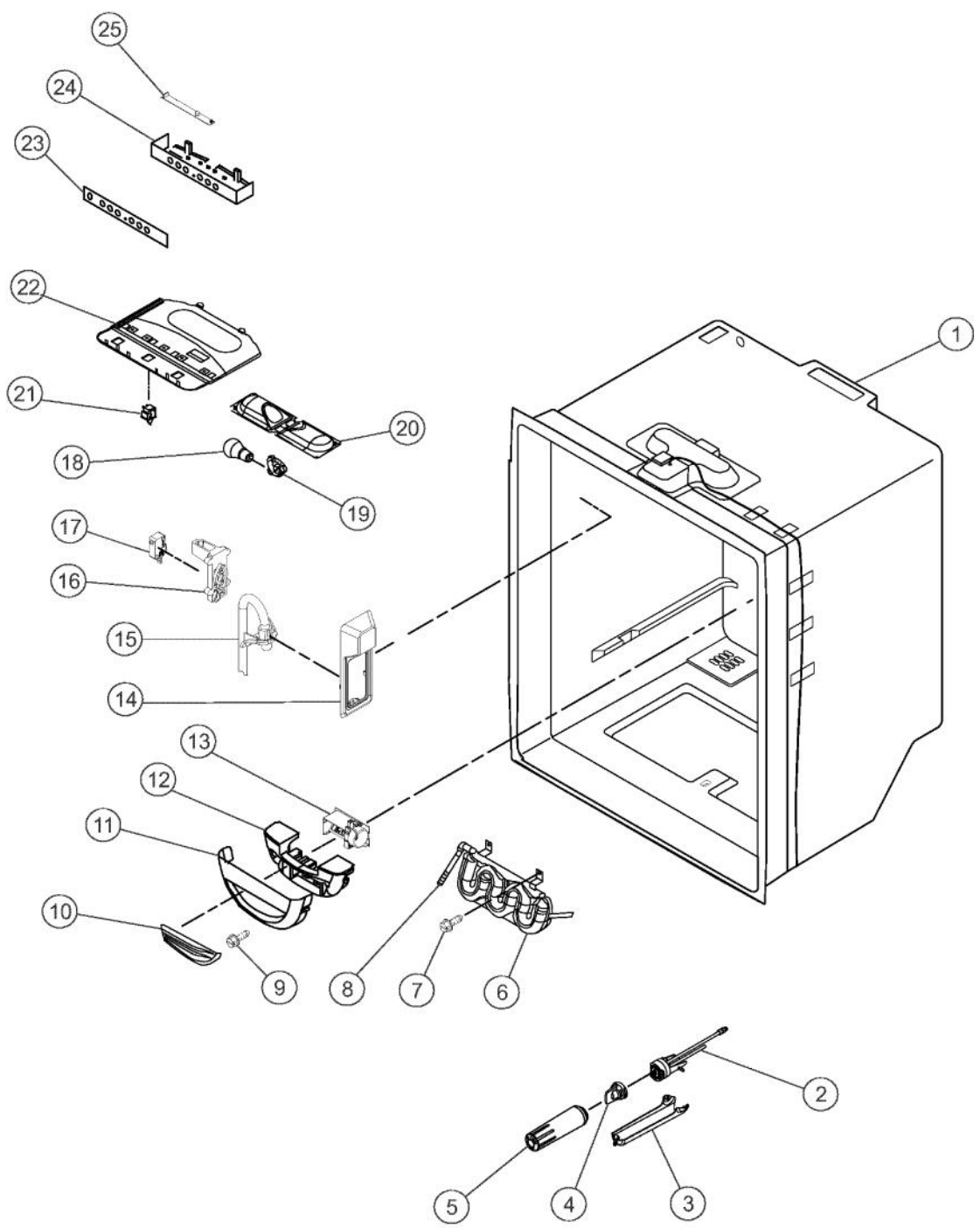


[Find Your VIKING Refrigerator Parts - Select From 341 Models](#)

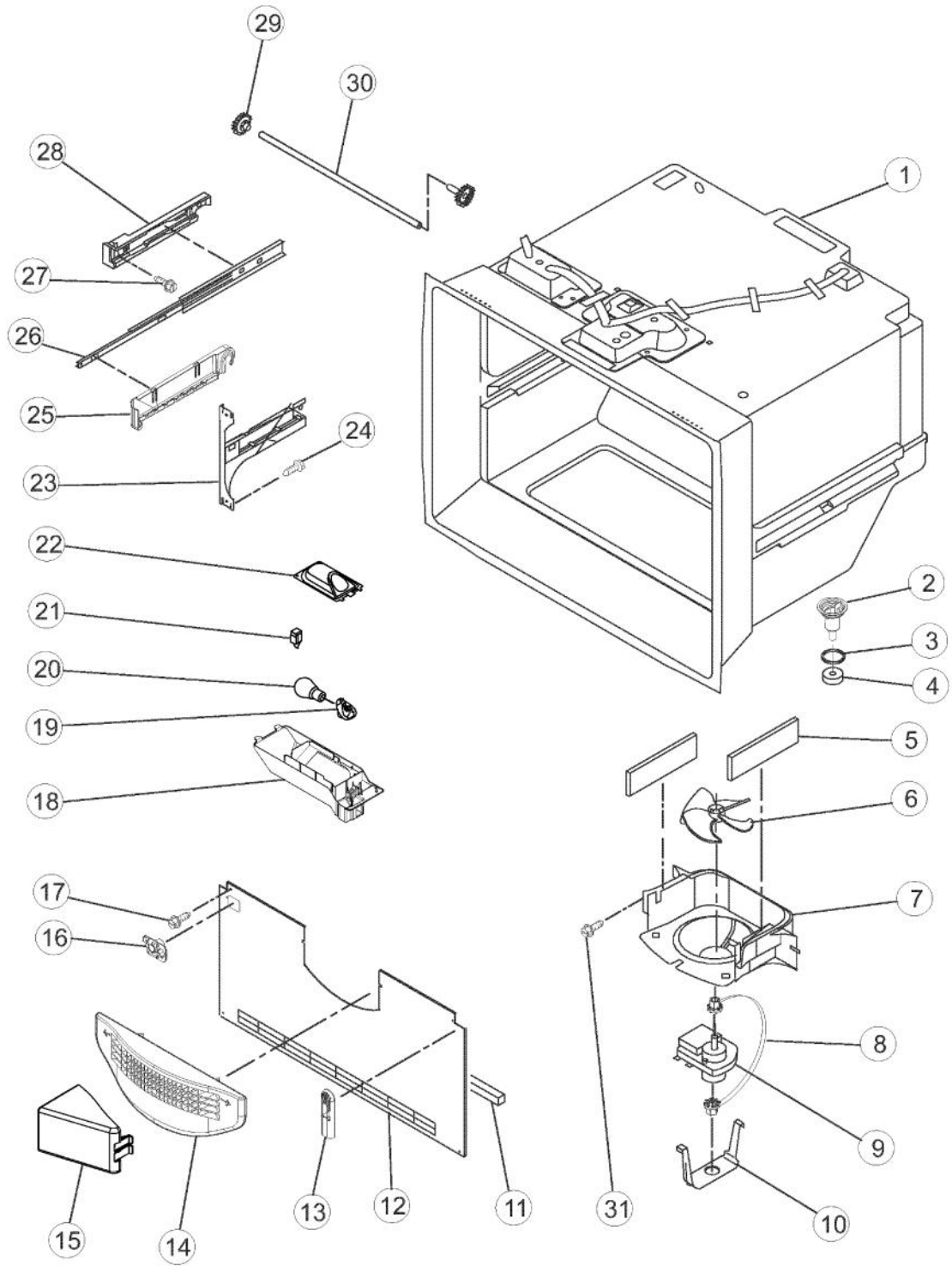
----- Manual continues below -----



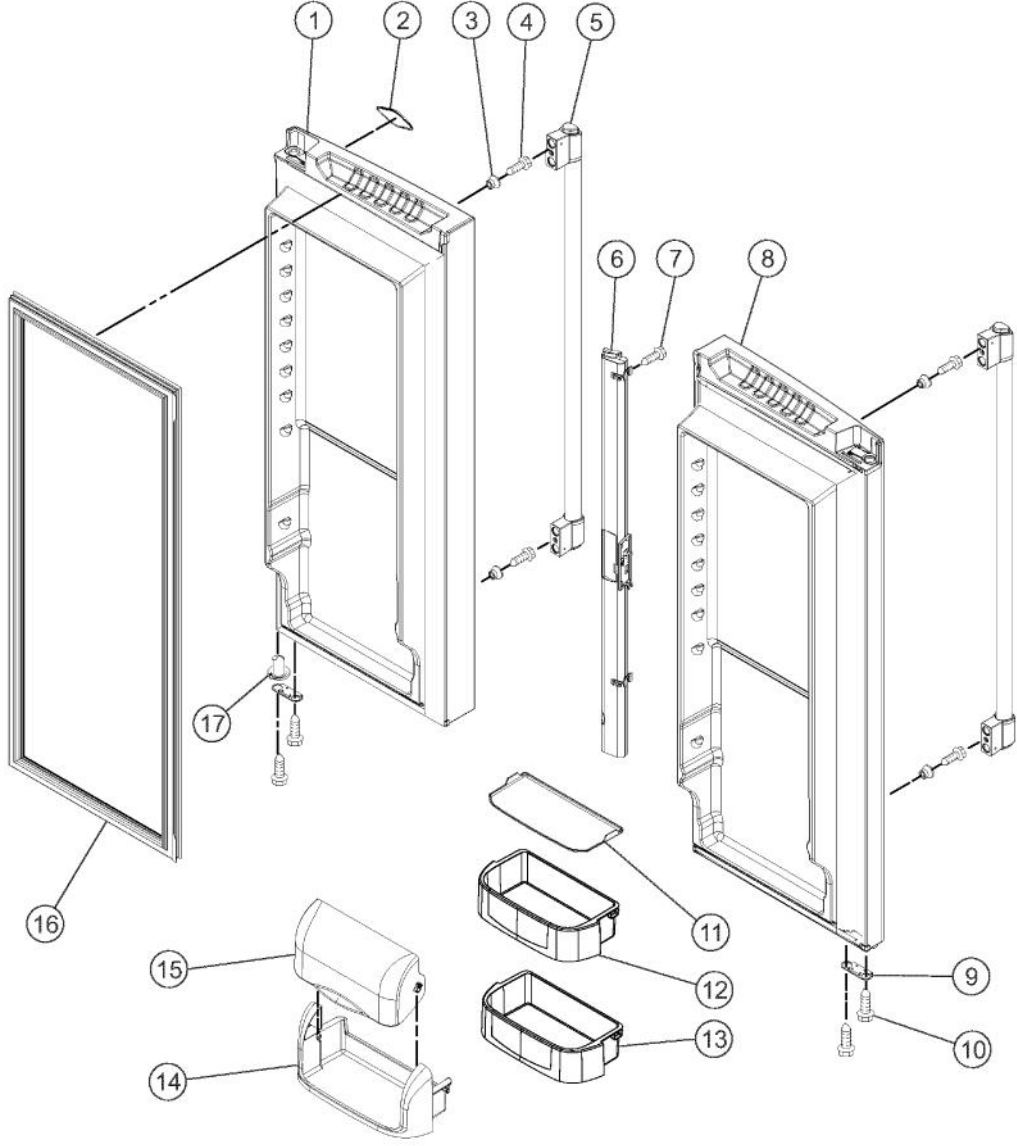
Ref #	Part Number	Qty.	Description
1	034453-000	1	COVER, RIGHT HINGE, APOLLO GREY
2	034454-000	2	SCREW
3	021733-000	6	SCREW
4	021685-000	1	COVER, WATER LINE
5	021711-000	1	SCREW
6	021688-000	1	BLOCK, FILL TUBE
7	034455-000	1	HINGE, TOP RIGHT
8	PS400180	2	CLIP
9	021939-000	1	SHIM, TOP HINGE, RIGHT
10	021714-000	10	SCREW
11	021820-000	1	COVER-WATER VALVE
12	021823-000	1	COVER, UNIT
13	021790-000	1	GASKET, MC BACK
14	021794-000	1	CLAMP, TUBE
15	021697-000	1	FIBER, ACOUSTIC
16	021700-000	1	DUAL TUBE SWEEP
17		1	CABINET
17			NON-SERVICEABLE
18	021822-000	1	TUBE, DRAIN
19	PS400097	1	PLUG, BUTTON
20	021847-000	1	ROLLER ASSY., FRONT RIGHT
21	011488-000	1	BRAKE, FOOT
22	021728-000	8	SCREW
23	039233-000	1	GRILLE, TOE, APOLLO GREY
24	021848-000	1	ROLLER ASSY., FRONT LEFT
25	034456-000	1	HINGE, CENTER (RT), STAINLESS
26	039234-000	6	SCREW, CENTER HINGE
27	034457-000	1	HINGE, CENTER (LT), STAINLESS
28	021946-000	2	SCREW
29	034458-000	1	BLOCK, PIVOT
30	021938-000	1	SHIM, TOP HINGE, LEFT
31	017004-000	2	CORNER COVER (APOLLO GREY)
32	034459-000	1	HINGE, TOP LEFT
33	034460-000	1	COVER, LEFT HINGE, APOLLO GREY



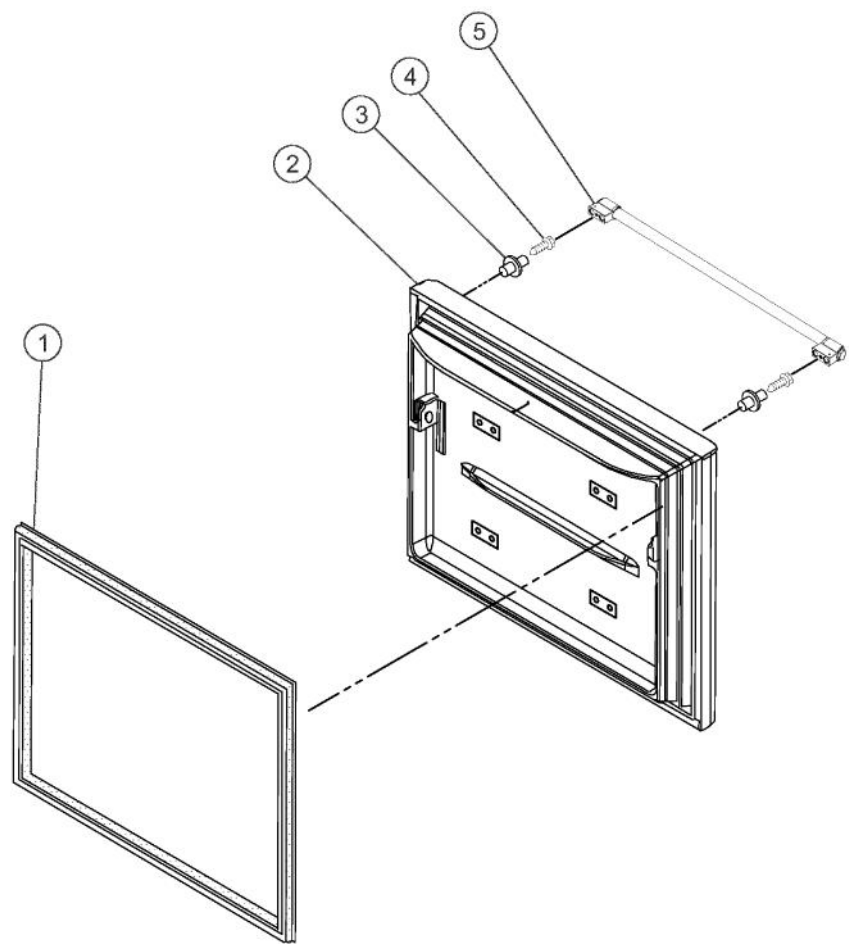
Ref #	Part Number	Qty.	Description
1	NON REPLACEABLE	1	OVEN CAVITY, 36 (G30014040)
2	034461-000	1	HEAD, WATER FILTER
3	034462-000	1	COVER, FILTER
4	021963-000	1	PLUG, BYPASS
5	034463-000	1	FILTER, WATER
6	021879-000	1	TANK, WATER
7	021711-000	1	SCREW
8	PS400040	1	UNION (5/16 X 5/16)
9	021725-000	1	SCREW
10	021695-000	1	INSERT, DAMPER COVER
11	021694-000	1	COVER, DAMPER
12	021735-000	1	INSULATION
13	021819-000	1	CONTROL, DAMPER
14	034464-000	1	FACADE, DISPENSER
15	034465-000	1	WATERLINE, DISPENSER
16	034466-000	1	PLUNGER SWITCH
17	PS400279	1	LIMIT SWITCH (12575502)
18	039235-000	2	BULB, LIGHT
19	021765-000	2	SOCKET, LIGHT
20	034467-000	1	HOUSING, LIGHT
21	PS400340	2	SWITCH, REFRIGERATOR LIGHT (12466104)
22	039236-000	1	MODULE, LIGHT
23	039237-000	1	OVERLAY
24	039238-000	1	HOUSING, CONTROL
25	034470-000	1	BOARD, CONTROL
NI	034471-000	1	HARNESS, CONTROL (INCLUDES THERMISTOR)



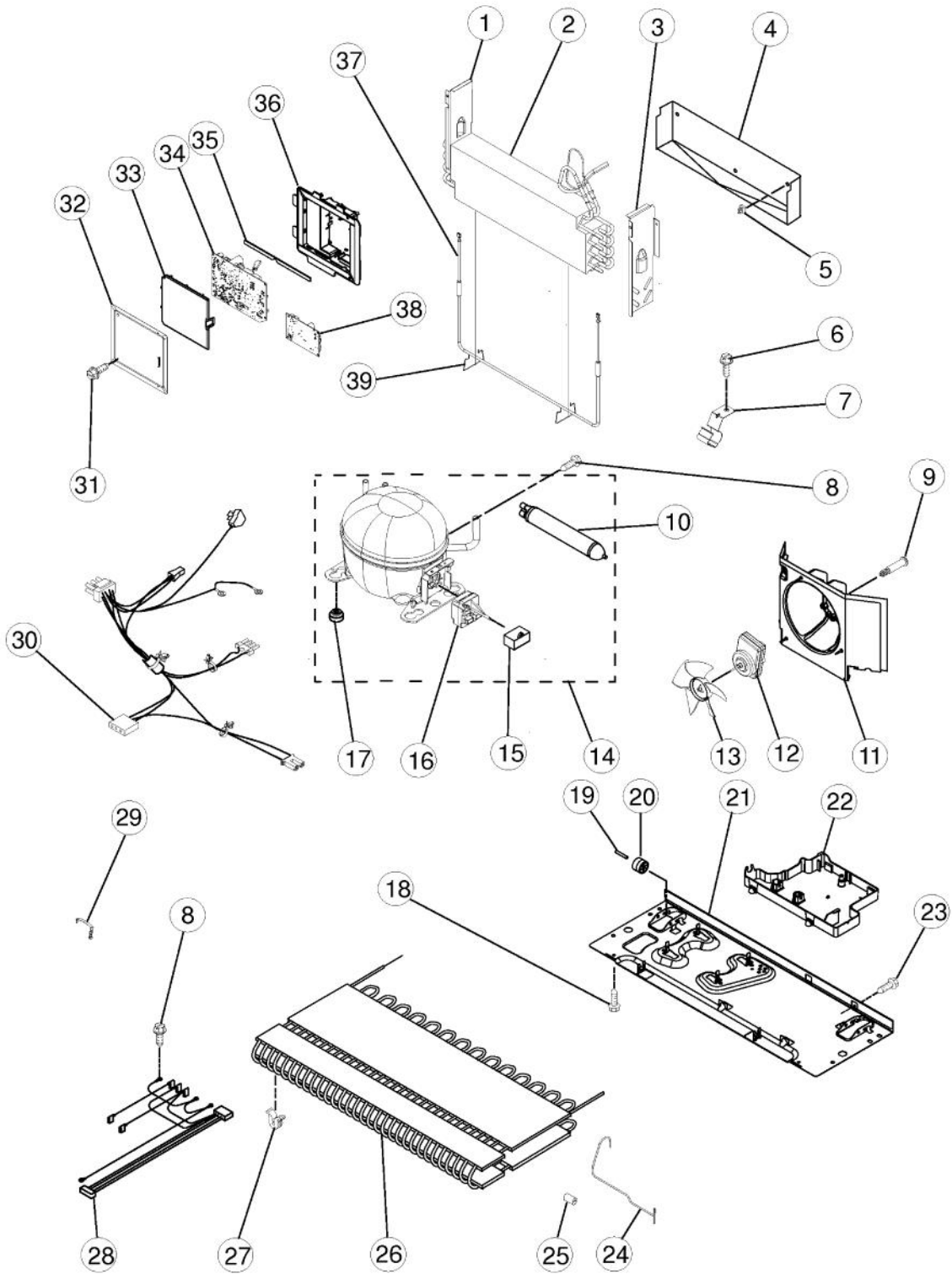
Ref #	Part Number	Qty.	Description
1		1	LINER
1			NON-SERVICEABLE
2	PS400092	1	FUNNEL, DRAIN
3	PS400091	1	SEAL, O-RING
4	PS400090	1	GASKET, DRAIN TUBE
5	021787-000	1	GASKET, FOAM
6	021741-000	1	BLADE, FAN (EVAPORATOR)
7	021738-000	1	SHROUD, EVAPORATOR FAN
8	011508-000	1	GROMMET
9	022959-000	1	MOTOR, EVAPORATOR
10	021739-000	1	CLIP, EVAP MOTOR
11	021977-000	1	GASKET, FOAM
12	034472-000	1	COVER, EVAPORATOR
13	021696-000	1	COVER, THERMISTOR
14	021736-000	1	GRILLE, FZ AIR
15	017115-000	1	DIVERTER, AIR
16	021704-000	1	GUIDE, FILL TUBE
17	021714-000	4	SCREW
18	034473-000	1	MODULE, LIGHT
19	021765-000	1	SOCKET, LIGHT
20	038395-000	1	BULB, LIGHT
21	021669-000	1	SWITCH, LIGHT
22	021759-000	1	HOUSING, LIGHT
23	034474-000	1	BRACKET, DOOR, LEFT
23	034475-000	1	BRACKET, DOOR, RIGHT
24	021724-000	8	SCREW
25	034476-000	1	CRADLE, BASKET, LEFT
25	034477-000	1	CRADLE, BASKET, RIGHT
26	034478-000	2	SLIDE, DRAWER
27	021710-000	6	SCREW
28	034479-000	1	ADAPTER, SLIDE, LEFT
28	034480-000	1	ADAPTER, SLIDE, RIGHT
29	011497-000	2	GEAR, LT/RT
30	021917-000	1	SHAFT, RACK
31	021711-000	2	SCREW
NI	034481-000	1	HARNES, FZ MODULE (INCLUDES THERMISTOR)



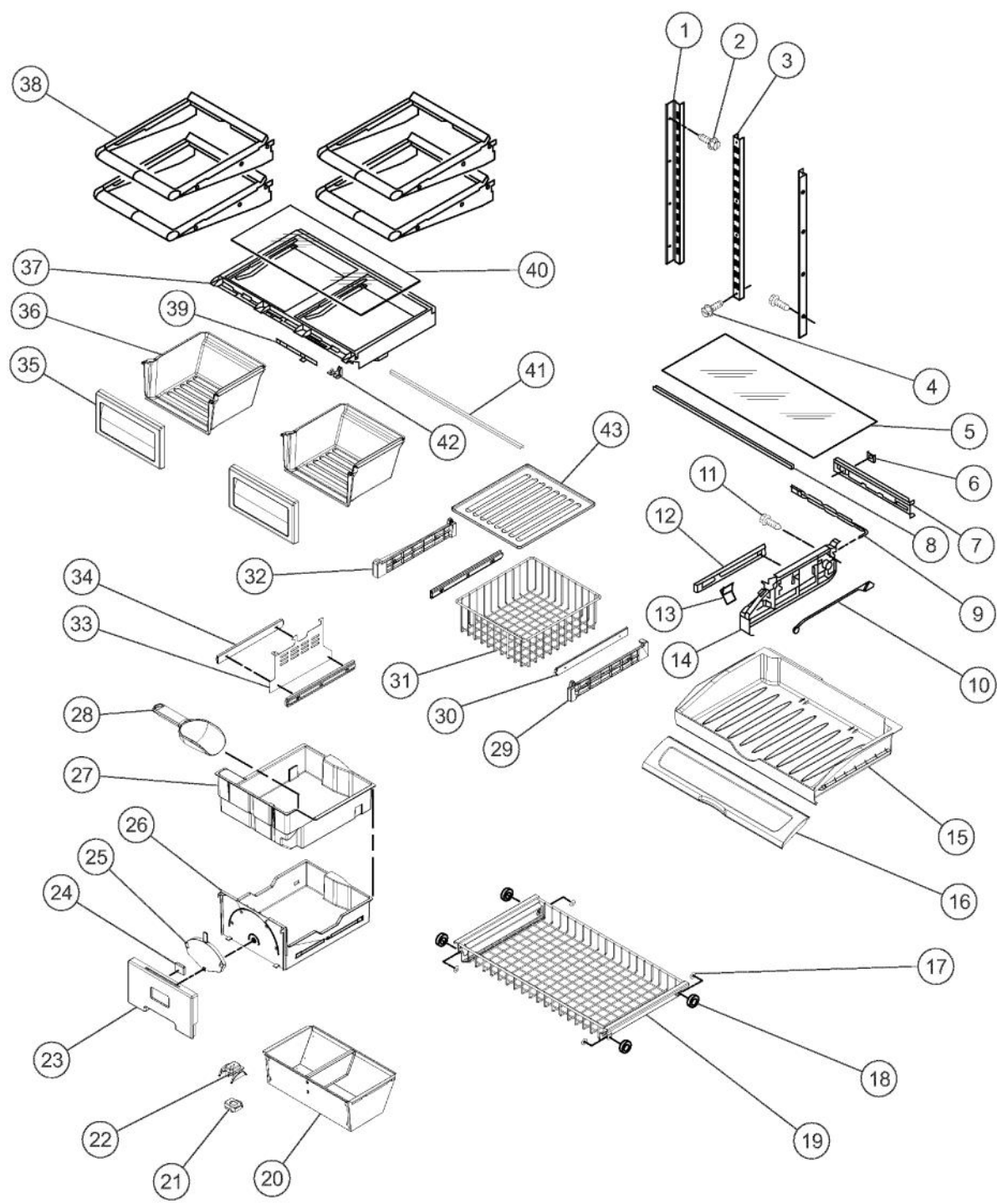
Ref #	Part Number	Qty.	Description
1	034482-000	1	DOOR, RIGHT, STAINLESS
2	038401-000	1	NAMEPLATE
3	021567-000	4	STUD, HANDLE
4	021598-000	4	SCREW, HANDLE
5	038403-000	2	HANDLE, DOOR (STAINLESS)
6	034484-000	1	MULLION, DOOR, APOLLO GREY
7	021708-000	1	SCREW
8	034485-000	1	DOOR, LEFT, STAINLESS
9	034486-000	2	STOP, DOOR, APOLLO GREY
10	021711-000	4	SCREW
11	034487-000	3	GRIPPER, MEDIUM BUCKET
12	034488-000	3	BUCKET, MEDIUM
13	034489-000	2	BUCKET, GALLON
14	021758-000	1	TRAY, DAIRY
15	034490-000	1	DOOR, DAIRY
16	039239-000	2	GASKET, DOOR, APOLLO GREY
17	021860-000	2	CLOSURE, DOOR, APOLLO GREY
NI	034492-000	2	GRIPPER, GALLON BUCKET



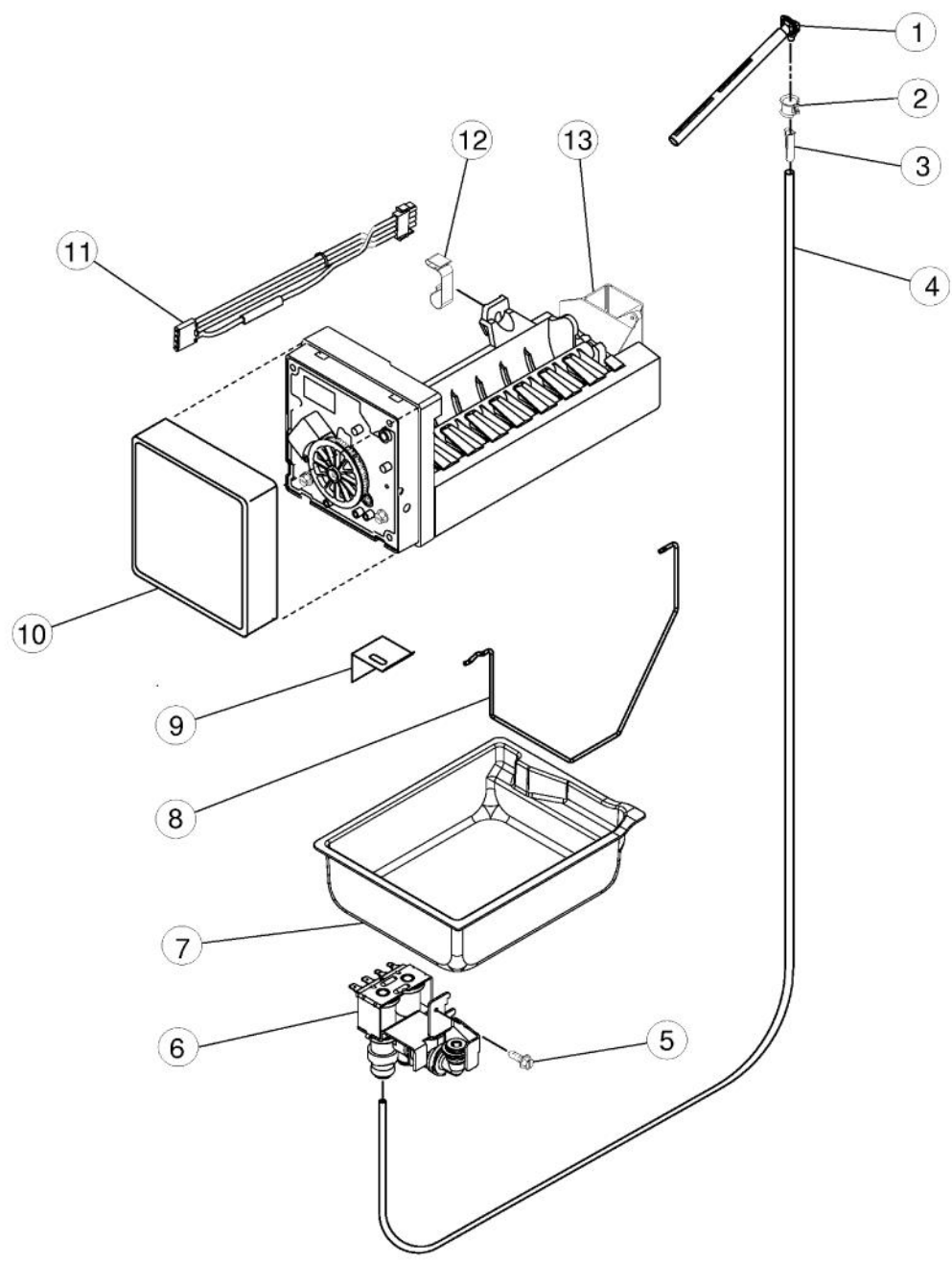
Ref #	Part Number	Qty.	Description
1	039240-000	1	GASKET, FREEZER DOOR APOLLO GREY
2	034493-000	1	DOOR, FREEZER (SS)
3	021567-000	2	STUD, HANDLE
4	021598-000	2	SCREW, HANDLE
5	038403-000	1	HANDLE, DOOR (STAINLESS)



Ref #	Part Number	Qty.	Description
1	021666-000	1	DAM, RIGHT SIDE
2	026689-000	1	EVAPORATOR
3	021665-000	1	DAM, LEFT SIDE
4	021885-000	1	TRAY, DRIP
5	PS400124	1	CLIP, EVAPORATOR
6	021726-000	1	SCREW
7	022725-000	1	CLIP, DRIER
8	021731-000	1	SCREW, GROUND
9	021824-000	1	SCREW, SHOULDER
10	021799-000	1	DRIER
11	021810-000	1	SHROUD
12	021893-000	1	MOTOR, FAN
13	021699-000	1	BLADE, FAN
14	039241-000	1	COMPRESSOR
15	017053-000	1	CAPACITOR
16	039242-000	1	START DEVICE
17	021750-000	4	GROMMET
18	021743-000	1	SCREW
19	021671-000	2	AXLE - ROLLER
20	021670-000	2	ROLLER ASSY., REAR
21	038452-000	1	BASEPAN
22	021853-000	1	PAN, DRAIN
23	021714-000	1	SCREW
24	028675-000	1	TUBE, DISCHARGE
25	028348-000	1	CONDENSER
26	011560-000	4	GROMMET, CONDENSER
27	034497-000	1	HARNES, EVAP. HEATER (INCLUDES DEFROST TERMINAT...
28	034498-000	1	STRAP, BALE
29	039243-000	1	HARNES, UNIT WITH POWER CORD
30	021727-000	1	SCREW
31	021707-000	1	COVER, CONTROL BOX
32	021933-000	1	LID, HV BOX
33	034500-000	1	BOARD, CONTROL
34	021706-000	1	GASKET, HV CONTROL
35	034501-000	1	BOX, HV CONTROL
36	021687-000	1	HEATER, DEFROST
37	034502-000	1	BOARD, POWER
38	011548-000	2	CLIP, HEATER
39	021551-000	1	GROMMET-COND.



Ref #	Part Number	Qty.	Description
1	021838-000	2	LADDER, RH / LH
2	021719-000	6	SCREW
3	021846-000	1	LADDER, CENTER
4	021723-000	1	SCREW
5	021911-000	1	GLASS, PANTRY
6	021678-000	1	GASKET, PANTRY
7	021677-000	1	HOUSING, CONTROL
8	021756-000	1	BRACE, PANTRY
9	021676-000	1	SLIDE TEMPERATURE
10	021675-000	1	ROD, TEMP CONTROL
11	021711-000	4	SCREW
12	034503-000	1	GLIDE, DRAWER LEFT
12	034504-000	1	GLIDE, DRAWER RIGHT
13	021771-000	1	KNOB, TEMP CONTROL
14	034505-000	1	END CAP, PANTRY LEFT
14	034506-000	1	END CAP, PANTRY RIGHT
15	034507-000	1	DRAWER, PANTRY
16	034508-000	1	DOOR, PANTRY DRAWER
17	034509-000	1	NUT, BASKET ROLLER
18	034510-000	1	ROLLER, BASKET
19	034511-000	1	BASKET, MIDDLE
20	034512-000	1	BIN ASSEMBLY
21	034513-000	1	HOUSING, COUPLER
22	034514-000	1	LATCH, COUPLER
23	034515-000	1	FRONT, ICE PAN
24	034516-000	1	LATCH, MAGNET
25	034517-000	1	LEVER, ICE PAN
26	034518-000	1	CARRIER, ICE PAN
27	034519-000	1	PAN, ICE
28	034520-000	1	SCOOP, ICE PAN
29	034521-000	1	ADAPTER BASKET, RIGHT
30	034522-000	2	GLIDE, UPPER BASKET
31	034523-000	1	BASKET, UPPER
32	034524-000	1	ADAPTER BASKET, LEFT
33	034525-000	1	SUPPORT, FZ DOOR
34	039245-000	1	GLIDE, ICE PAN
35	039244-000	2	FRONT, CRISPER
36	034528-000	2	CRISPER PAN
37	034529-000	1	FRAME, CRISPER
38	034530-000	4	SHELF, STATIONARY
39	034531-000	1	SLIDE, HUMIDITY CONTROL
40	034532-000	1	GLASS, CRISPER COVER
41	034533-000	1	BRACE, CRISPER
42	034534-000	2	SLIDE, HUMIDITY CONTROL
43	034535-000	1	MAT, UPPER BASKET



Ref #	Part Number	Qty.	Description
1	021749-000	1	ELBOW, FILL TUBE
2	021795-000	1	CLIP, SPEED
3	PS400178	1	INSERT, TUBE
4	021789-000	1	TUBING, PLASTIC
5	011587-000	1	SCREW
6	034536-000	1	VALVE-INLET
7	034537-000	1	PAN, ICE
8	034538-000	1	ARM, SHUTOFF
9	011577-000	1	BRACKET, ICE MAKER
10	039246-000	1	COVER, ICE MAKER
11	039247-000	1	HARNESS, ICE MAKER
12	022170-000	1	CLAMP
13	034541-000	1	ICE MAKER ASSY