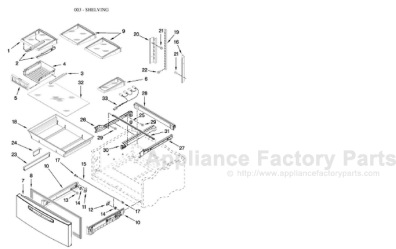


This Owner's Manual is provided and hosted by [Appliance Factory Parts](#).



VIKING RDFN536DSS02 Owner's Manual

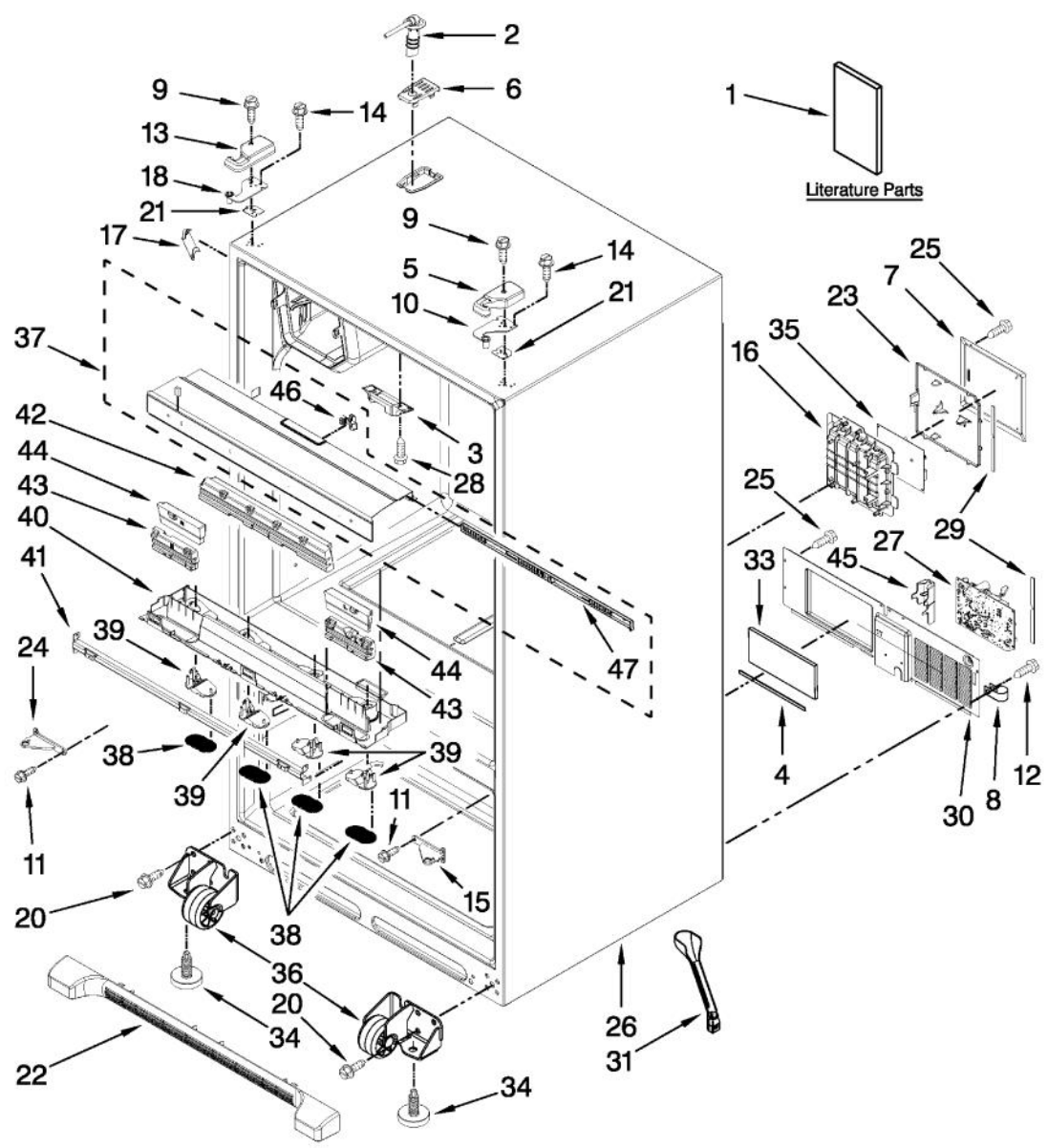
**[Shop genuine replacement parts for VIKING
RDFN536DSS02](#)**



[Find Your VIKING Refrigerator Parts - Select From 341 Models](#)

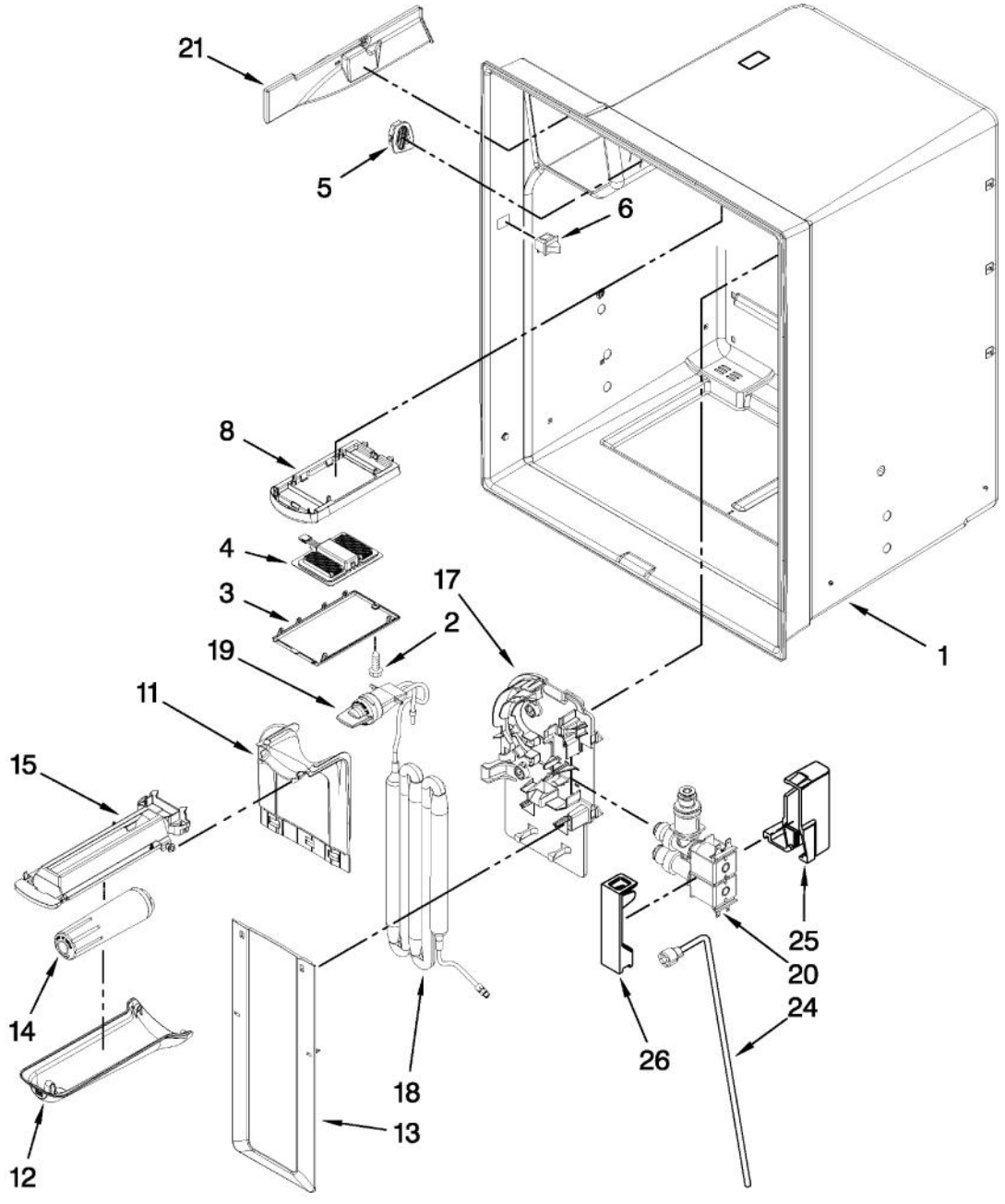
----- Manual continues below -----

001 - CABINET



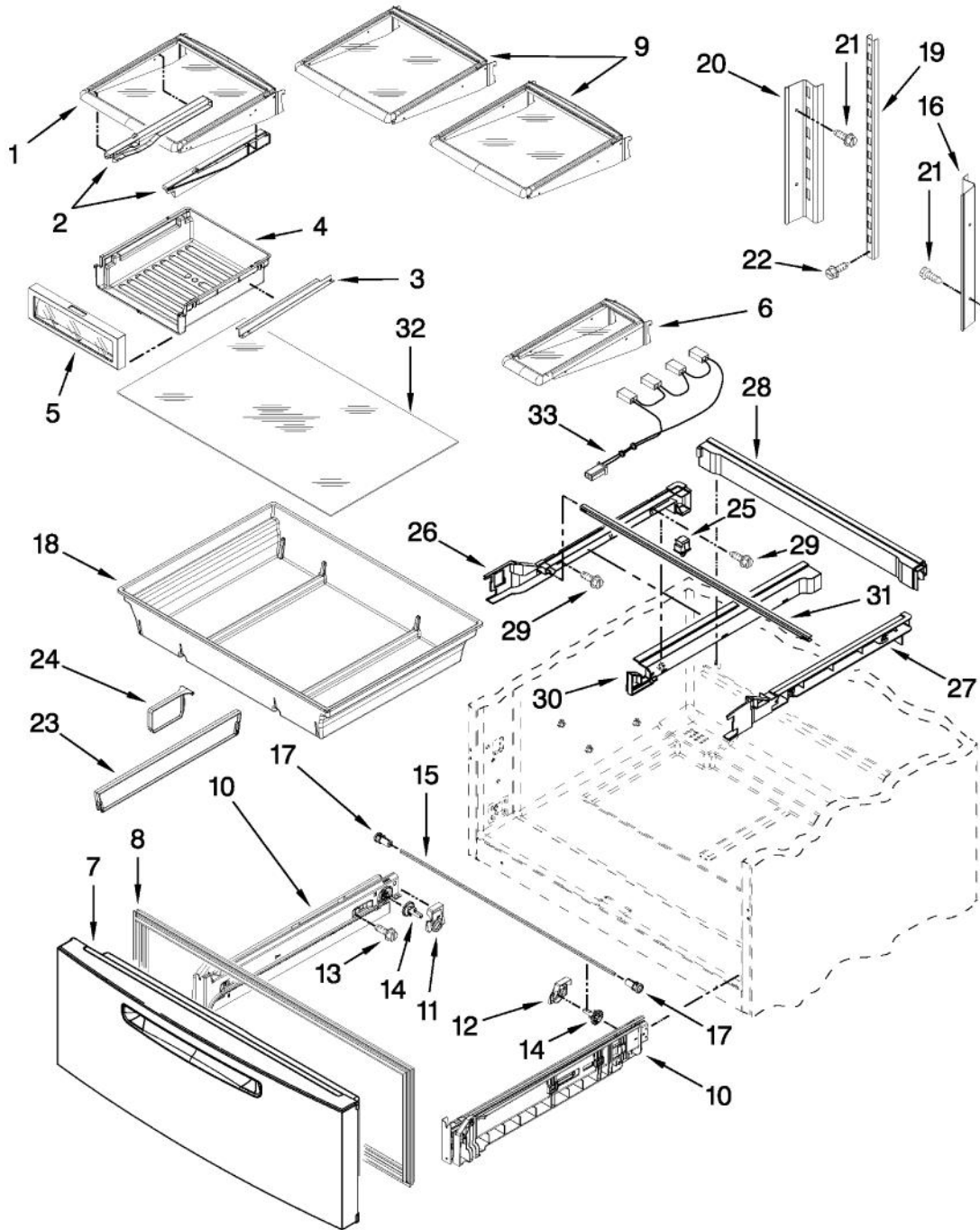
Ref #	Part Number	Qty.	Description
2	021970-000		TUBE W/WATERLINE, FILL-IM
3	021679-000		BLOCK, PIVOT
4	021790-000		GASKET, MC BACK
5	021936-000		COVER, RIGHT HINGE, APOLLO GREY
6	021949-000		COVER, FILL TUBE, APOLLO GREY
7	021707-000		COVER, CONTROL BOX
8	021794-000		CLAMP, TUBE
9	021734-000		SCREW
10	038365-000		HINGE, TOP RIGHT
11	038372-000		SCREW, CENTER HINGE
12	021714-000		SCREW
13	021948-000		COVER, LEFT HINGE, APOLLO GREY
14	021733-000		SCREW
15	047038-000		HINGE, CENTER (RT), APOLLO GREY
16	038366-000		BOX, HV CONTROL, COVER, CORNER (2)
17	047037-000		COVER, CORNER (2) APOLLO GREY
18	021947-000		HINGE, TOP LEFT
20	021728-000		SCREW
21	021938-000		SHIM, TOP HINGE, LEFT
	021939-000		SHIM, TOP HINGE, RIGHT
22	047040-000		GRILLE, TOE, APOLLO GREY
23	021933-000		LID, HV BOX
24	021945-000		HINGE, CENTER, APOLLO GREY
25	021727-000		SCREW
26			CABINET (NOT A SERVICABLE PART)
27	038370-000		POWER SUPPLY MODULE
28	021946-000		SCREW
29	038368-000		GASKET?HV CNTRL?2
30	038371-000		COVER, MC BACK
31	021822-000		TUBE, DRAIN
33	021697-000		FIBER, ACOUSTIC
34	011488-000		BRAKE, FOOT
35	038367-000		BOARD, HV CONTROL
36	021847-000		ROLLER ASSY., FRONT RIGHT
	021848-000		ROLLER ASSY., FRONT LEFT
37	038382-000		ASSY., MULLION, (INCL. HEATER)
38	038373-000		LENS?ICE BOX COVER
39	038375-000		MODULE LED LIGHTS
40	038376-000		HOUSING?MODULE
41	038374-000		BRACE?MULLION
42	038379-000		EPS SPACER BLOCK
43	038377-000		SPACER WEDGE?L & R
44	038378-000		SPACER WEDGE L & R
45	038369-000		GUARD, VALVE
46	038381-000		KNOB?VENT SLIDE
47	038380-000		SLIDE?MULLION VENT

002 - REFRIGERATOR LINER



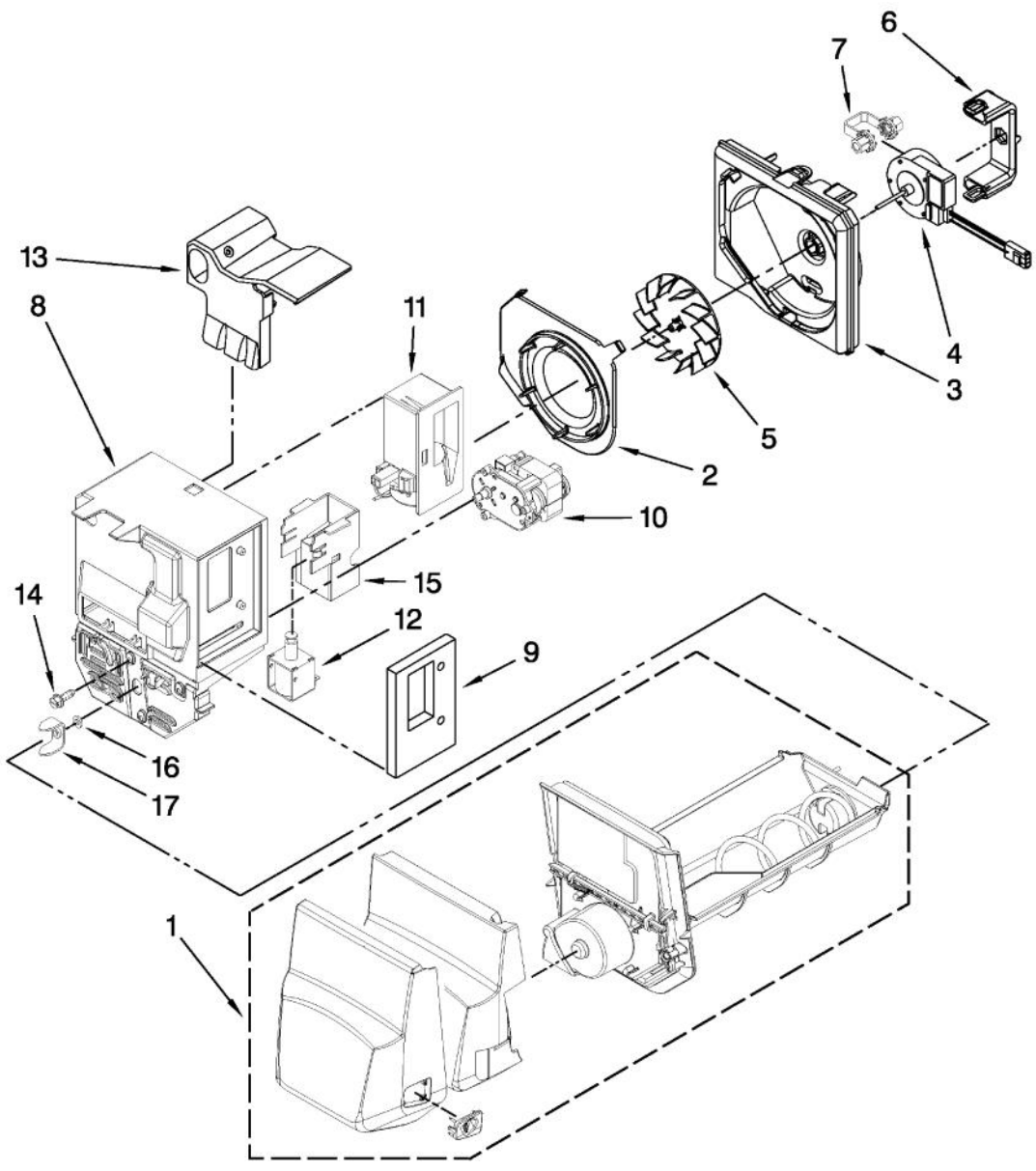
Ref #	Part Number	Qty.	Description
1			LINER (NOT A SERVICEABLE PART)
2	021708-000		SCREW
3	038388-000		LENS?RC?LED
4	038389-000		MAIN LED MODULE
5	038391-000		GRILLE, AIR
6	PS400341		SWITCH, LIGHT
8	038390-000		HOUSING?RC?LED
11	021957-000		COVER, WATER TANK (UPPER)
12	021958-000		LID, WATER FILTER
13	021959-000		COVER, WATER TANK (LOWER)
14	034463-000		FILTER, WATER
15	021960-000		BRACKET, FILTER BASE
17	038383-000		BRACKET, WATER TANK & VALVE
18	038386-000		WATER TANK & HEAD ASSEMBLY
19	021963-000		PLUG, BYPASS
20	038384-000		VALVE, WATER INLET
21	038391-000		GRILLE, AIR
24	047045-000		WATERLINE CABINET (W/NUT)
25	021968-000		ENCLOSURE, WATER VALVE CONNECTOR
26	021969-000		LID, ENCLOSURE

003 - SHELVING



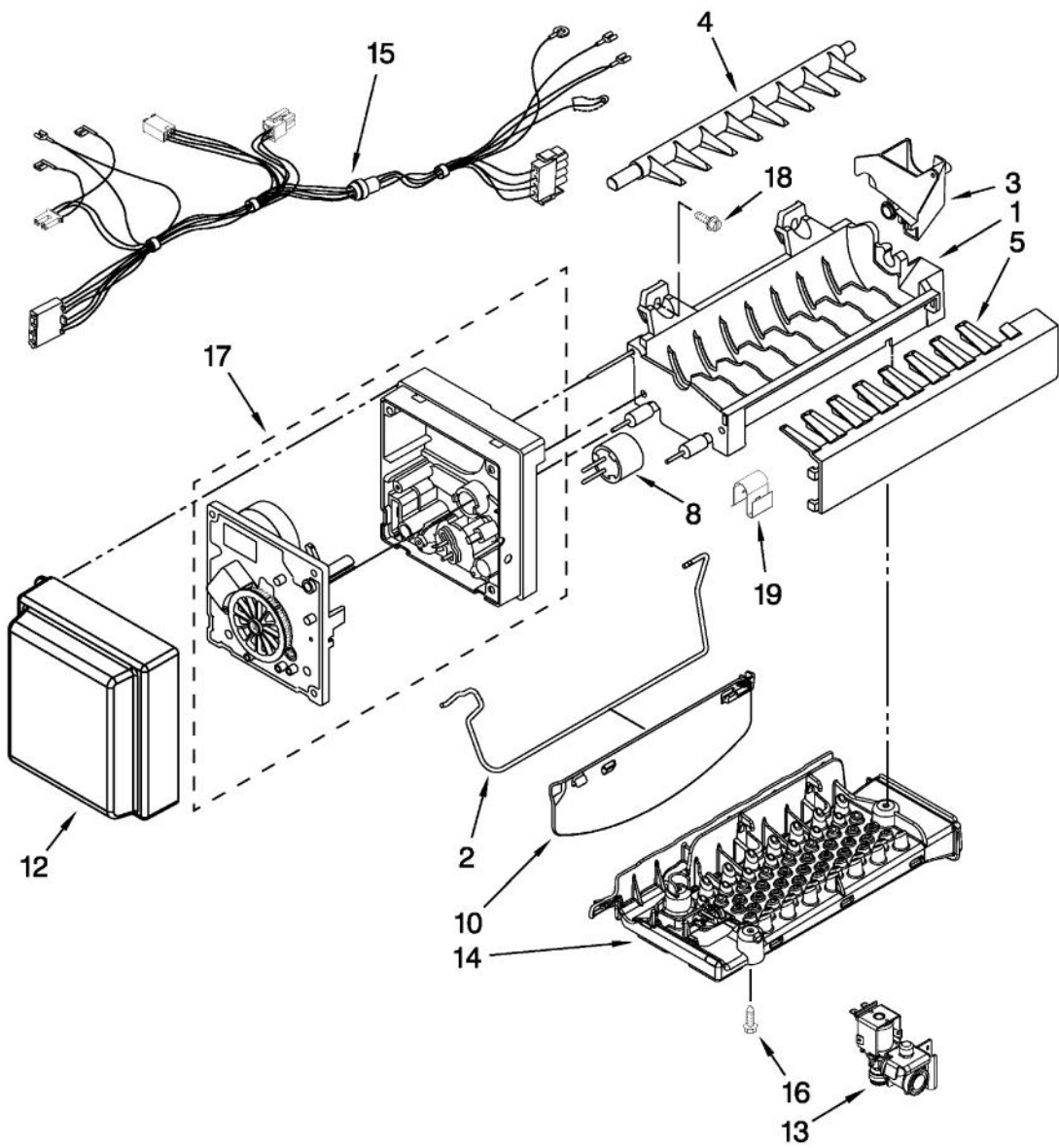
Ref #	Part Number	Qty.	Description
1	038490-000		SHELF?STATIONARY, WITH PAN
2	038489-000		RUNNER?ROLLER?LH
2	038488-000		RUNNER?ROLLER?RH
3	038486-000		RUNNER, CHANNEL
4	038487-000		PAN?DELI
5	038485-000		FRONT?DELI PAN
6	038463-000		SHELF?STAT?MINI
7	038476-000		PANTRY DOOR, STAINLESS
8	038475-000		GASKET?PANTRY, APOLLO GREY
9	038458-000		SHELF?STATIONARY
10	038472-000		ADAPTER?PANTRY LEFT
	038473-000		ADAPTER?PANTRY RIGHT
11	038470-000		GEAR SPUR?L & R
12	038479-000		COVER?GEAR, LEFT
	038471-000		COVER?GEAR, RIGHT
13	038478-000		SCREW
14	047036-000		SCREW
15	038480-000		SHAFT?RACK
16	038462-000		LADDER, SIDE RH
17	038469-000		COLLAR?GEAR
18	038483-000		PAN?PANTRY?PO
19	022019-000		LADDER, CENTER
20	038459-000		LADDER, SIDE
21	021719-000		SCREW
22	021723-000		SCREW
23	038481-000		DIVIDER?PANTRY?LRG
24	038482-000		DIVIDER?PANTRY?SM
25	PS400340		SWITCH, REFRIGERATOR LIGHT (12466104)
26	038466-000		RAIL?LH PANTRY
27	038468-000		RAIL?RH PANTRY
28	038465-000		RAIL?REAR PANTRY
29	021724-000		SCREW
30	038467-000		COVER?LH PANTRY
31	017110-000		BRACE, PANTRY
32	038484-000		GLASS?PANTRY SHELF
33	038464-000		HARNES?RC?LED

004 - MOTOR & ICE CONTAINER



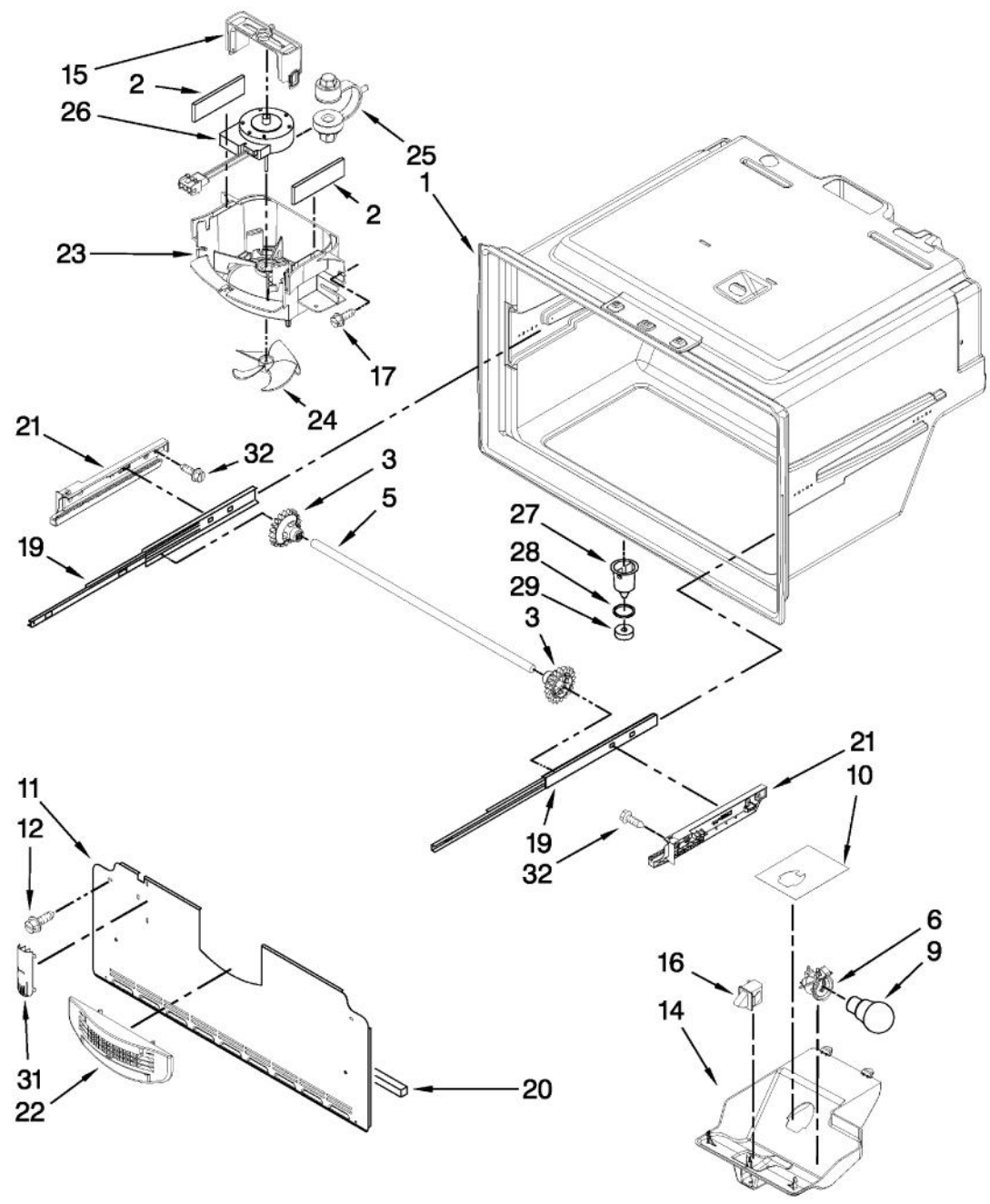
Ref #	Part Number	Qty.	Description
1	038498-000		ICE BIN ASSEMBLY, (SMALL CUBE) (INCLUDES AUGER)
2	022041-000		INLET, BLOWER
3	047042-000		SCROLL, BLOWER
4	038493-000		MOTOR, FAN
5	022040-000		WHEEL, BLOWER
6	038494-000		CLIP, FAN MOTOR
7	022036-000		GROMMET, FAN MOTOR
8	038501-000		DIVIDER, ICE BOX
9	038497-000		GASKET, DAMPER
10	038495-000		MOTOR, AUGER
11	017026-000		CONTROL, DAMPER
12	038499-000		SOLENOID ASSY.
13	022050-000		LINER, DIVIDER
14	021714-000		SCREW
15	038496-000		BRACKET, SOLENOID
16	038500-000		WASHER
17	022048-000		YOKE, ICE DISPENSER
18	022051-000		FOIL, ICE BOX

005 - ICEMAKER



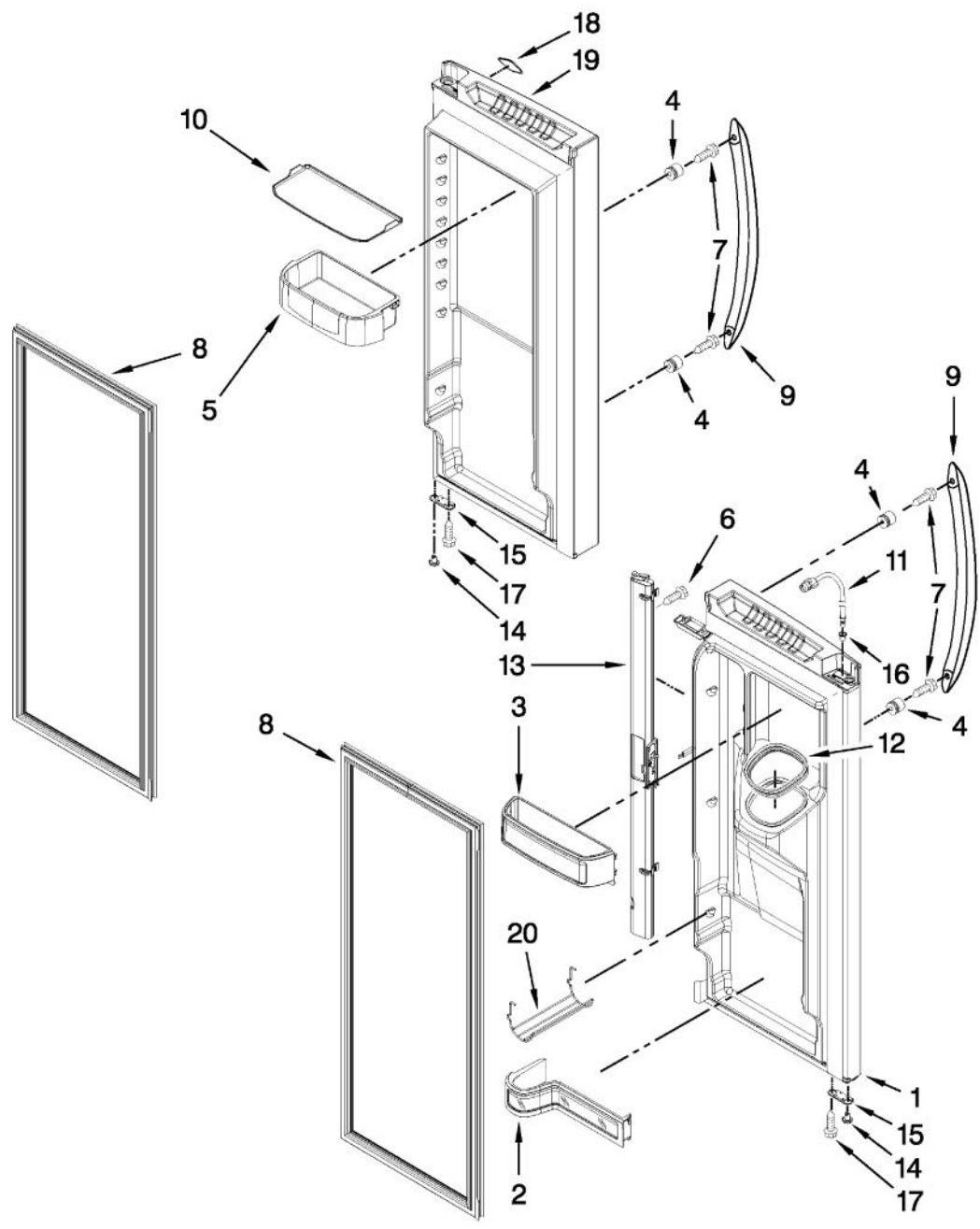
Ref #	Part Number	Qty.	Description
1	022658-000		MOLD & HEATER ASSEMBLY
2	038521-000		ARM, SHUTOFF
3	047044-000		CUP, FILL
4	022664-000		ICE EJECTOR
5	022659-000		ICE STRIPPER
8	047041-000		THERMOSTAT (ALSO ORDER 047034-000)
10	038522-000		EXTENSION, SHUTOFF ARM
12	047046-000		COVER, CORNER (2) APOLLO GREY
13	038523-000		VALVE?SINGLE
14	022661-000		IMPINGER ASSY
15	038519-000		HARNESS, ICEMAKER
16	021714-000		SCREW
17	047043-000		MODULE ASSEMBLY
18	047039-000		SCREW (2)
19	017065-000		CLIP
100	038520-000		ICEMAKER ASSEMBLY
NI	026700-000		COUPLING
NI	PR100055		SILICONE GREASE (MOLD&HEATER)542638
NI	047034-000		CEMENT

006 - FREEZER LINER



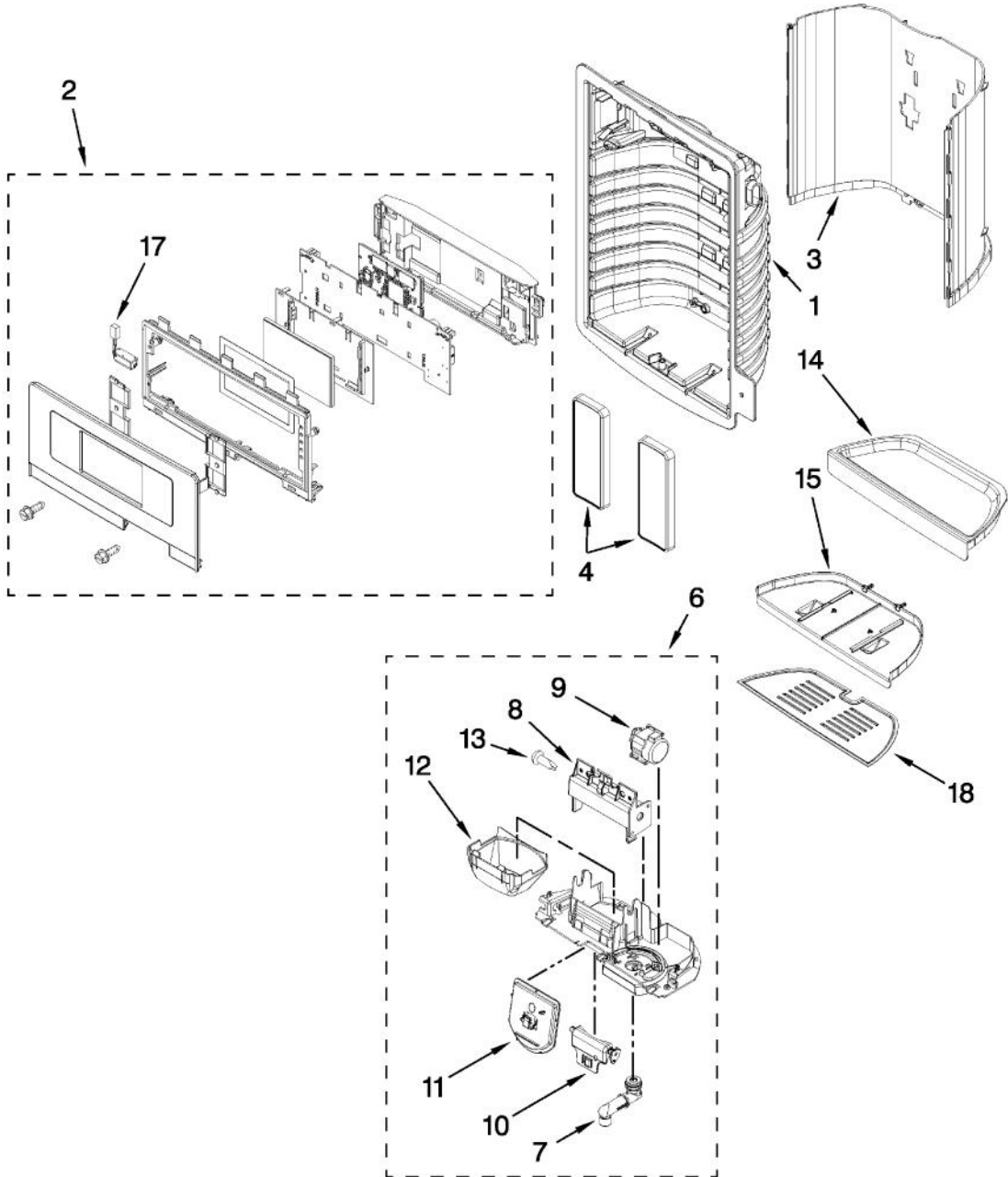
Ref #	Part Number	Qty.	Description
1			LINER (NOT A SEVICEABLE PART)
3	011497-000		GEAR, LT/RT
5	021917-000		SHAFT, RACK
6	021956-000		SOCKET, LIGHT
9	038395-000		BULB, LIGHT
10	021934-000		FOIL-FZ LIGHT
11	021973-000		COVER, EVAPORATOR
12	021714-000		SCREW
14	022646-000		MODULE, FREEZER LIGHT
15	021975-000		CLIP, FAN MOTOR
16	021976-000		SWITCH, ROCKER
17	021711-000		SCREW
19	038393-000		SLIDE, DRAWER (2)
20	021788-000		GASKET, FOAM
21	038396-000		LEFT
	038394-000		RIGHT
22	021980-000		GRILLE, FZ AIR
23	021981-000		SHROUD, EVAP FAN
24	021982-000		BLADE, FAN (EVAPORATOR)
25	021983-000		GROMMET
26	038397-000		MOTOR, EVAPORATOR FAN
27	PS400092		FUNNEL, DRAIN
28	PS400091		SEAL, O-RING
29	PS400090		GASKET, DRAIN TUBE
31	021696-000		COVER, THERMISTOR
32	021710-000		SCREW

007 - REFRIGERATOR DOOR

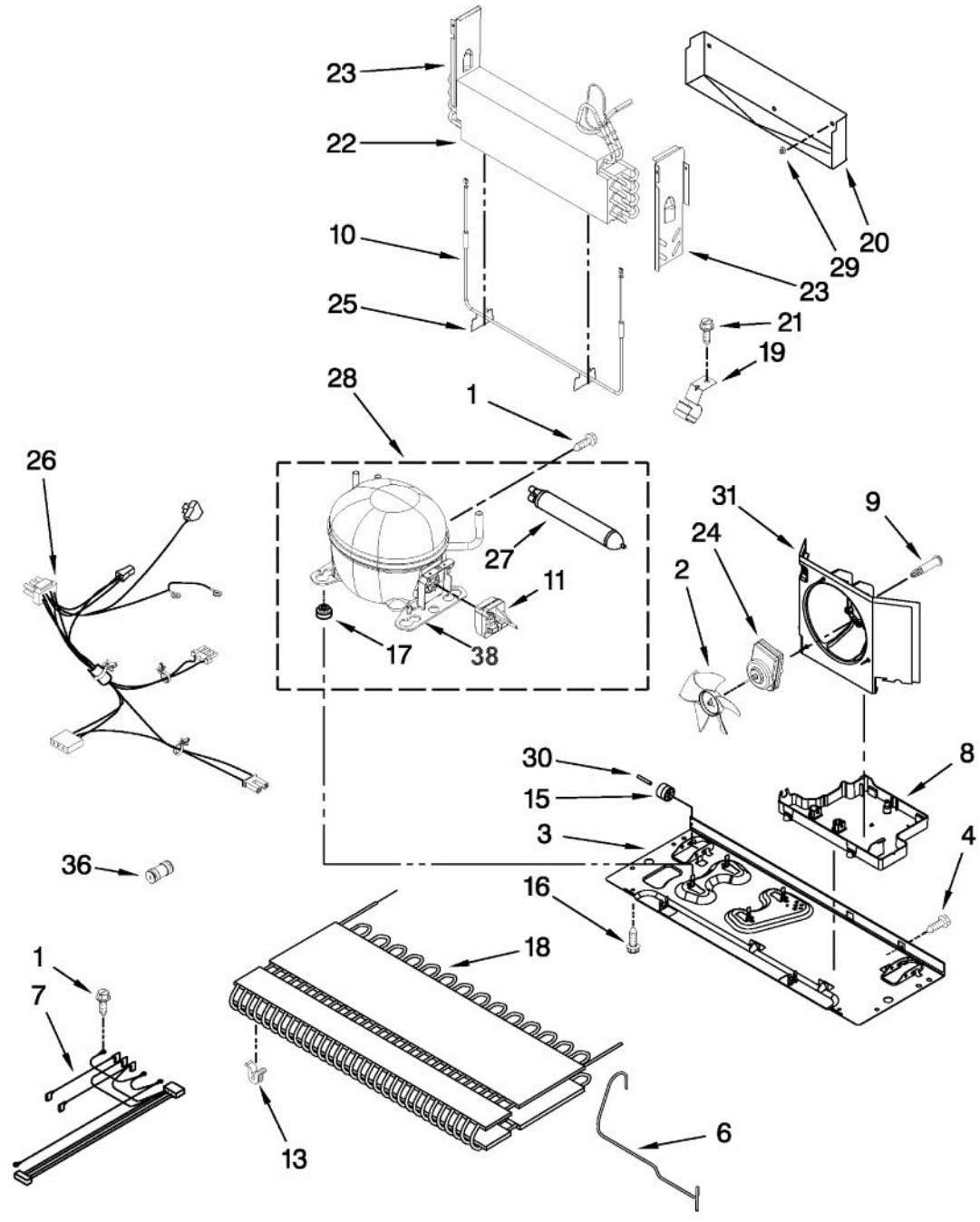


Ref #	Part Number	Qty.	Description
1	046161-000		DOOR, LEFT SS
2	038407-000		BUCKET?MINI?LH
3	038408-000		BUCKET, SMALL
4	021567-000		STUD, HANDLE
5	038410-000		BUCKET, GALLON
6	021719-000		SCREW
7	021598-000		SCREW, HANDLE
8	038409-000		GASKET, DOOR APOLLO GREY
9	038403-000		HANDLE, DOOR (STAINLESS)
11	038406-000		WATERLINE, DOOR
12	022650-000		ASSY-ICE CHUTE
13	038404-000		MULLION, DOOR APOLLO GREY
14	017103-000		CLOSURE, DOOR (APOLLO GREY)
15	021994-000		STOP, DOOR, APOLLO GREY
16	021996-000		CLIP, BUSHING WIRE
17	021724-000		SCREW
18	038401-000		NAMEPLATE
19	038402-000		DOOR, RIGHT MONO STAINLESS

008 - DISPENSER FRONT

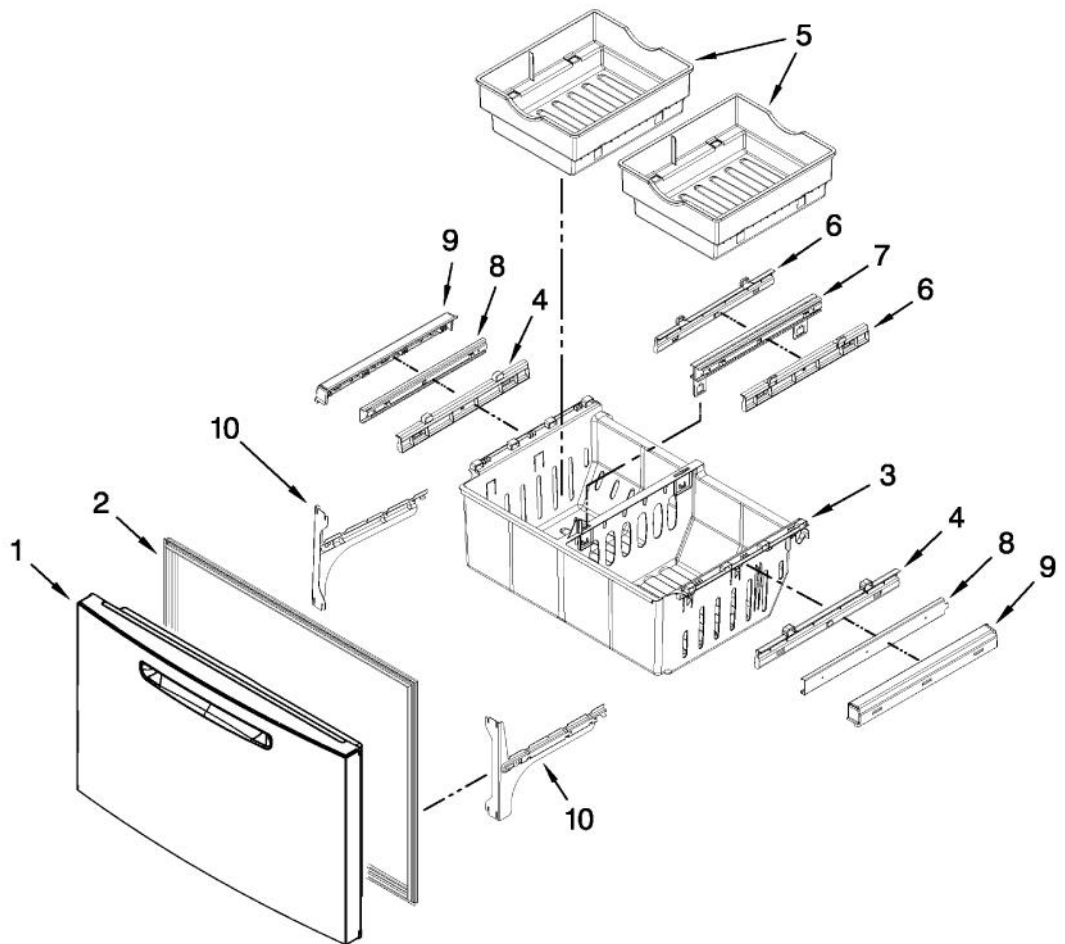


Ref #	Part Number	Qty.	Description
1			HOUSING, DISPENSER (NOT REPLACEABLE)
2	038517-000		U I ASSEMBLY STAINLESS
3	038503-000		FALSE WALL DISP. NICKEL
4	038504-000		PAD?ASSEMBLY?WITH BLUE LIGHT GREY
6	038508-000		SEPARATOR ASSY.
7	038509-000		SPIGOT BODY ASSY.
8	038515-000		BRACKET?ICE DOOR
9	038516-000		MOTOR?ICE DOOR
10	038510-000		SUPPORT?ICE DOOR
11	038512-000		DOOR?ICE
12	038513-000		GUIDE?ICE
13	038514-000		CLIP?MOTOR CPLNG.
14	038505-000		TRAY?DISPENSER STAINLESS
15	038506-000		SLIDE?TRAY DISP. APOLLO GREY
17	038518-000		LED ASSEMBLY
18	038507-000		GRATE, DRIP



Ref #	Part Number	Qty.	Description
1	021732-000		SCREW
2	021699-000		BLADE, FAN
3	038452-000		BASEPAN
4	021714-000		SCREW
6	038453-000		TUBE, DISCHARGE
7	038455-000		HARNES, EVAP. (INCL.DEF.HTR)
8	021853-000		PAN, DRAIN
9	021824-000		SCREW, SHOULDER
10	022011-000		HEATER, DEFROST
13	011560-000		GROMMET, CONDENSER
15	021670-000		ROLLER ASSY., REAR
16	021743-000		SCREW
17	021750-000		GROMMET
18	028348-000		CONDENSER
19	022960-000		CLIP, DRIER
20	021885-000		TRAY, DRIP
21	021727-000		SCREW
22	022724-000		EVAPORATOR KIT
23	022015-000		DAM, RIGHT SIDE
	022014-000		DAM, LEFT SIDE
24	021893-000		MOTOR, FAN
25	011548-000		CLIP, HEATER
26	038456-000		HARNES?MC?UNIT WITH POWER CORD
27	017051-000		DRIER
28	038457-000		COMPRESSOR (INCLUDES ITEMS 11,12,17,27)
29	PS400124		CLIP, EVAPORATOR
30	021671-000		AXLE - ROLLER
31	021810-000		SHROUD
36	022642-000		CONNECTOR-WATER
37	021609-000		INVERTER BOX
38	052334-000		COMPRESSOR ASSY
NI	011564-000		VALVE, ACCESS (1/4)
NI	011566-000		VALVE, ACCESS (5/16)
NI	011567-000		VALVE, ACCESS (3/8)
NI	011568-000		VALVE, ACCESS (1/2)
NI	011569-000		VALVE, ACCESS (5/8)
NI	011571-000		VALVE, ACCESS (3/4)
NI	011572-000		VALVE, ACCESS (3/16)

010 - FREEZER DOOR



Ref #	Part Number	Qty.	Description
1	038447-000		FREEZER DOOR MONO STAINLESS
2	038446-000		GASKET, FREEZER DOOR (APOLLO GREY)
3	038441-000		BIN, LOWER
4	038442-000		ADAPTER, BIN (OUTER)
5	047035-000		BIN, UPPER
6	038440-000		ADAPTER, BIN (INNER)
7	038439-000		BRACKET/GLIDE ASSEMBLY
8	038443-000		GLIDE, UPPER
9	038444-000		RETAINER, GLIDE, RIGHT
	038449-000		RETAINER, GLIDE, LEFT
10	038448-000		BRACKET, DOOR SLIDE, LEFT
	038445-000		BRACKET, DOOR SLIDE, RIGHT