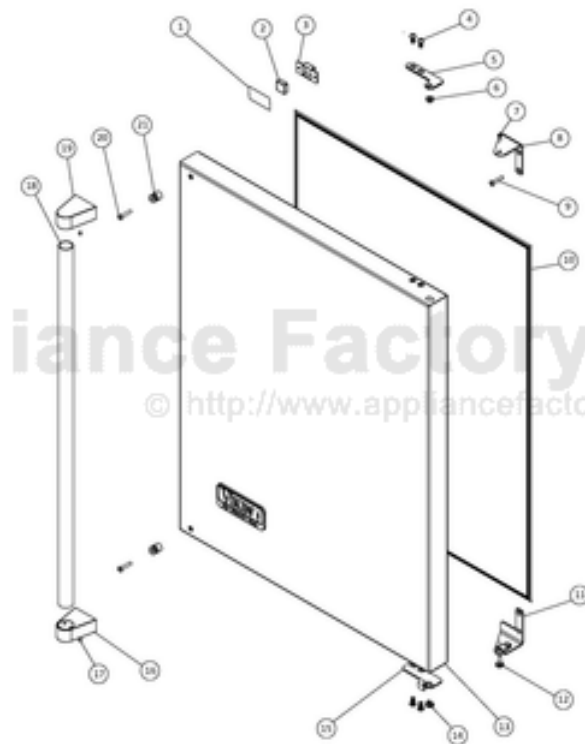


This Owner's Manual is provided and hosted by [Appliance Factory Parts](#).



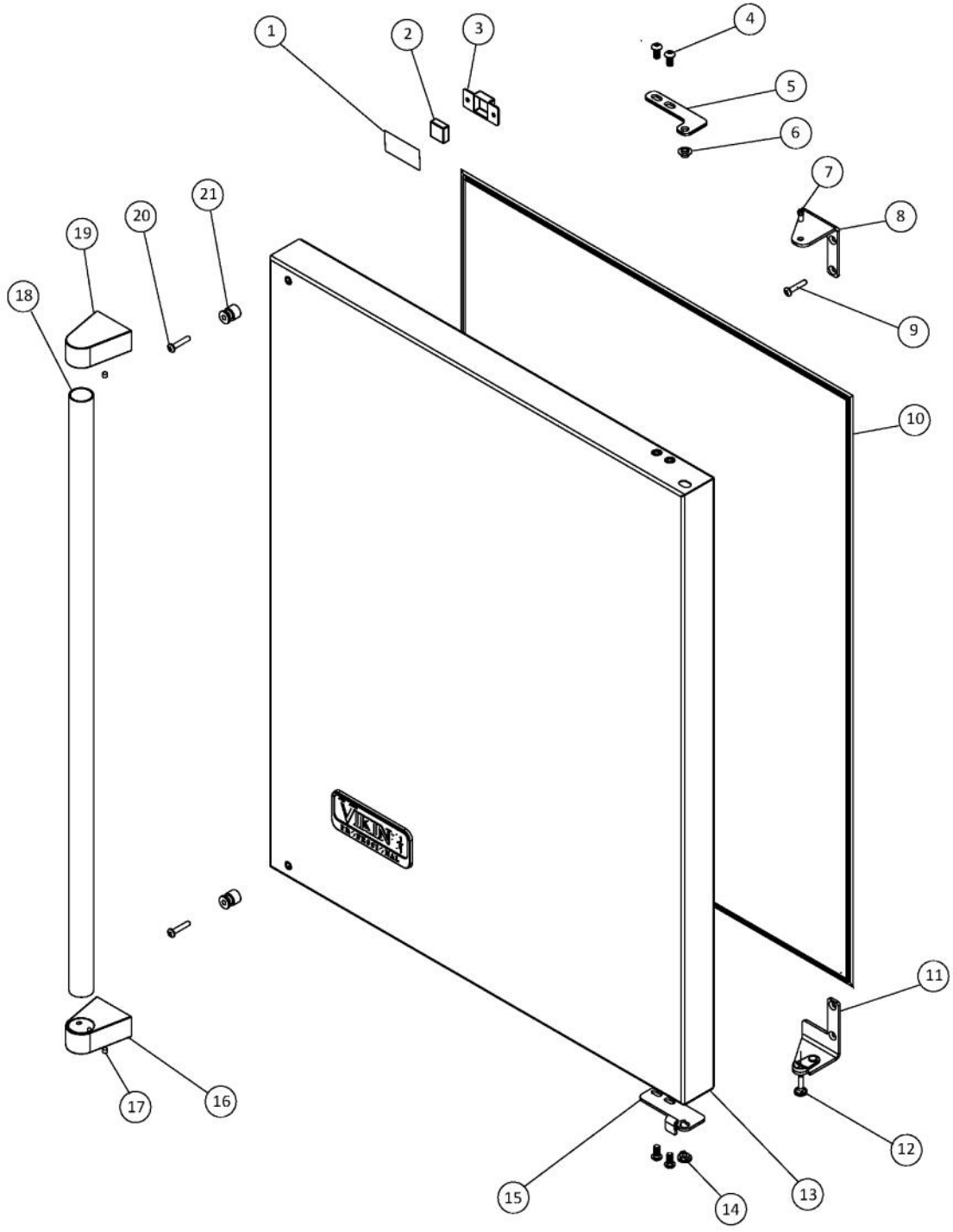
VIKING VUAR1431T REV. A - BEFORE 9-26-2010 Owner's Manual

[Shop genuine replacement parts for VIKING
VUAR1431T REV. A - BEFORE 9-26-2010](#)

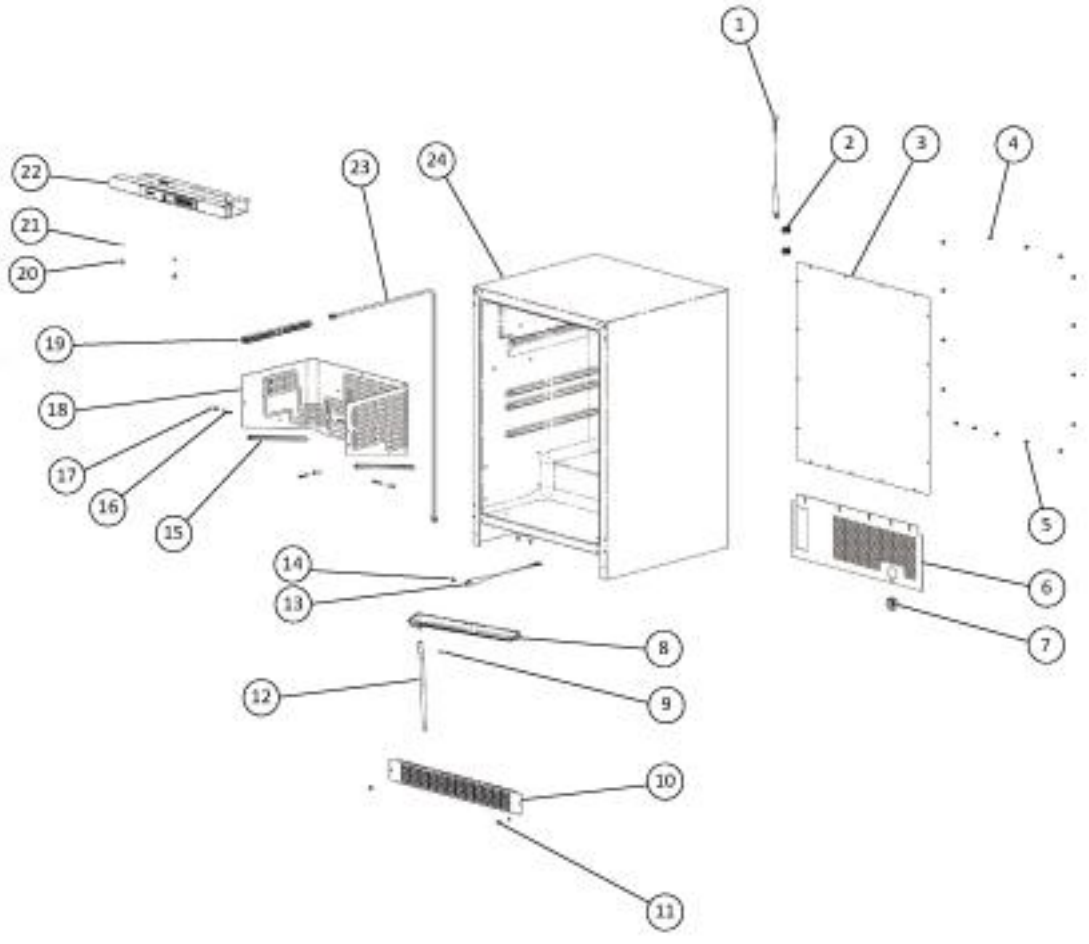


[Find Your VIKING Refrigerator Parts - Select From 341 Models](#)

----- Manual continues below -----



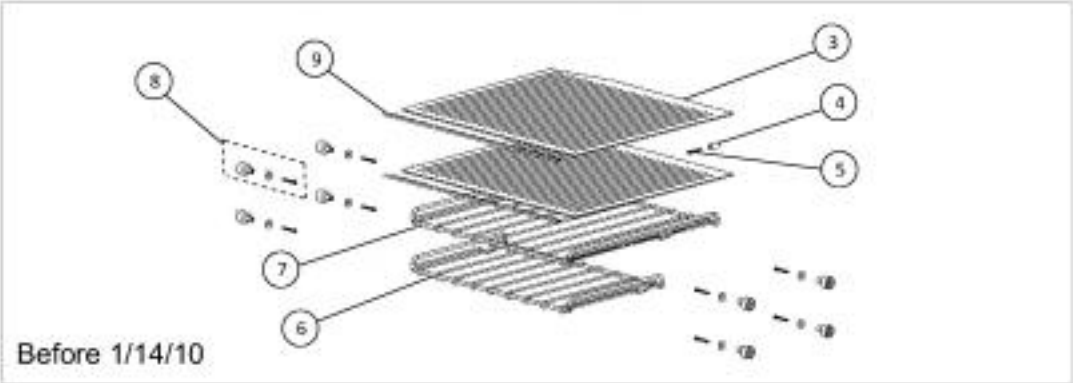
Ref #	Part Number	Qty.	Description
1	NA	1	LOW VOLTAGE BOARD (AFTER 01/22/05)
2	028352-000	1	MAGNET
3	028383-000	1	MAGNET SWITCH RETAINER
4	022248-000	4	1/4-20 X 1/2 BUTTON HEAD CAP SCREW
5	028355-000	1	TOP HINGE ADAPTER, R.H. DOOR (SHOWN)
5	022900-000	1	TOP HINGE ADAPTER, LEFT HAND
6	022414-000	1	BEARING, HINGE PIN UPPER
7	028354-000	1	TOP HINGE PIN
8	028384-000	1	UPPER DOOR HINGE, RIGHT HAND (SHOWN)
8	028385-000	2	UPPER DOOR HINGE, LEFT HAND
9	022252-000	6	10-32 X 3/4 COUNTERSUNK SCREW
10	PW230005	1	GASKET, DOOR (VUWC140) X 42241280
11	028386-000	1	BOTTOM DOOR HINGE, RIGHT HAND (SHOWN)
11	028387-000	1	BOTTOM DOOR HINGE, LEFT HAND
12	022240-000	1	LOWER HINGE PIN
13	028388-000	1	RIGHT HAND DOOR ASSEMBLY, SOLID, VUAR1431TRSS (S...
13	028389-000	1	LEFT HAND DOOR ASSEMBLY, SOLID, VUAR1431TLSS
14	022423-000	1	DOOR CLOSER CAM FOLLOWER
15	022427-000	1	DOOR STOP, L.H.
15	022424-000	1	SCREW : 4MM X 10MM
16	022437-000	1	STANDOFF BOTTOM
17	022436-000	2	10-32 X 1/4? SET SCREW
18	026713-000	1	DOOR HANDLE
19	022438-000	1	STANDOFF TOP
20	022434-000	2	NO.10-32 X 1? TRUSS HEAD MACHINE SCREW
21	009521-000	2	STANDOFF STUD



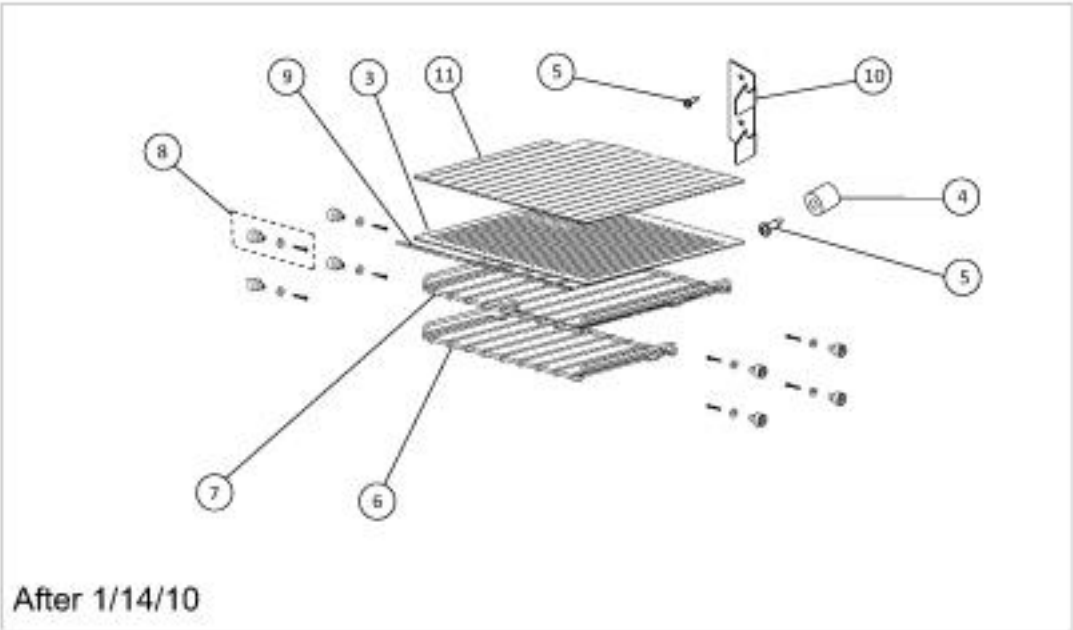
Ref #	Part Number	Qty.	Description
1	009483-000	1	EVAPORATOR TEMPERATURE THERMISTOR
2	022359-000	2	FASTEX CLAMP
3	022915-000	1	BACK PANEL
4	028356-000	19	NO.10 X 1/2? TYPE AB HEX WASHER HEAD SCREW
5	028490-000	5	NO.10 X 5/8? SS TYPE AB SCREW
6	028691-000	1	ACCESS COVER
7	022354-000	1	HEYCO BUSHUNG
8	PW210012	1	DRIP TRAY & 2 POP RVT(VUWC)42242603
9	022401-000	2	POP RIVET NO.AD43ABS ALUMINUM
10	028892-000	1	STAINLESS STEEL GRILLE
11	022922-000	2	NO.10 X 1? PHILLIPS PAN HEAD SCREW
12	028994-000	1	DRAIN TUBE, WHITE
13	009484-000	1	DISPLAY TEMPERATURE THERMISTOR
14	028358-000	1	NO.6-20 X 3/4 TYPE AB SCREW
15	029095-000	2	EVAPORATOR TRIM
16	028360-000	6	NO.10 X 2? PH PAN HEAD SS SCREW
17	022862-000	1	BLACK SPACER, .75 LONG
17	029196-000	3	BLACK SPACER, 1.00 LONG
17	022927-000	2	SPACER, 1-9/32?
18	028390-000	1	EVAPORATOR ASSEMBLY
19	028391-000	1	HV CONDUIT
20	022440-000	2	NO.10 X 5/8 HEX HEAD SCREW
21	022478-000	2	NO.10 EXTERNAL TOOTH STAR WASHER, SS
22	028593-000	1	DISPLAY ASM WH, 24 BC SOLID DR. T (UNITS BUILT AFTER...
23	009482-000	1	COMMUNICATION CABLE
24	NON-SERVICEABLE	1	TUB WELDMENT



All

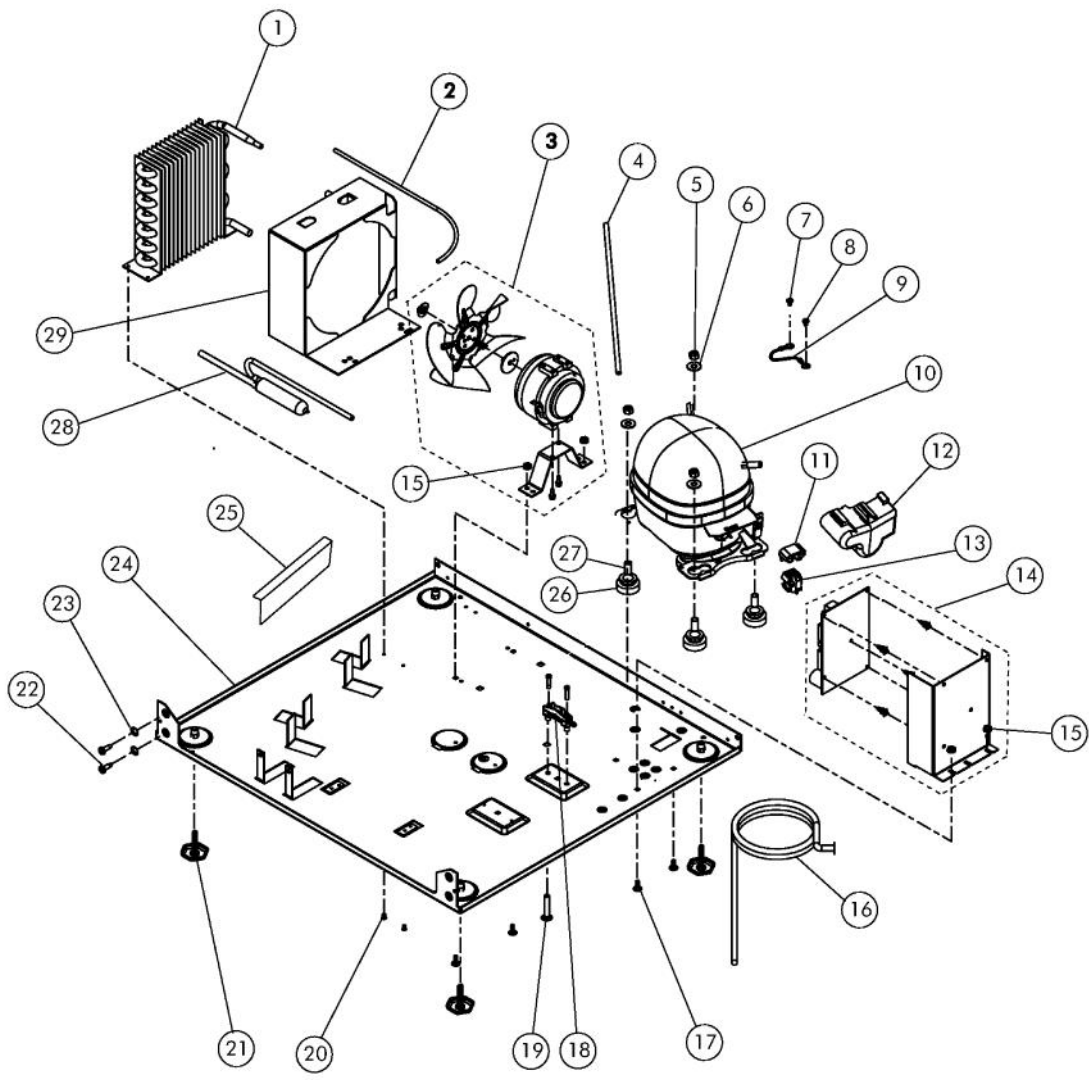


Before 1/14/10



After 1/14/10

Ref #	Part Number	Qty.	Description
1	028366-000	1	FOLDING WIRE SHELF
2	028367-000	4	NO.10 X 5/8? HEX HEAD SCREW
3	028368-000	2	GLASS SHELF
4	028369-000	3	RUBBER BUMPER, BLACK
5	028370-000	3	NO.8-18 X 1.25? SCREW, BLACK
6	028371-000	1	LOWER WINE SHELF, CHROME
7	028372-000	1	WINE SHELF, CHROME
8	028373-000	8	SHELF MOUNTING PEG KIT (W/SCREW & WASHER)
9	028374-000	2	GLASS SHELF TRIM
10	028375-000	1	SHELF RETAINING CLIP
11	028376-000	1	WIRE SHELF, CHROME



Ref #	Part Number	Qty.	Description
1	PW240004	1	CONDENSER, R-134A
2	022364-000	1	TUBING, .188 OD X 14 IN
3	PW300152	1	FAN MOTOR ASSY (VUIM150) 42244701
4	022406-000	1	PROCESS TUBE, 1/4 X 10?
5	022395-000	4	CONVECTION MOTOR
6	022388-000	4	FAN MOTOR
7	022883-000	1	NO.8-32 X 1/4 PHILLIPS PAN HEAD SCREW, GALVANIZED
8	022402-000	1	10-32 X 1/2 HEX WASHER HEAD SCREW
9	PW300137	1	GROUND WIRE (VUIM150)
10	NLA	1	CONDENSER
10	022949-000	1	COMPRESSOR
11	PS100020	1	OVERLOAD (42245133) 152 WC
12	022368-000	1	TERMINAL COVER
13	PS100021	1	PTC RELAY (42245131) 152 WC
14	022477-000	1	ELECTRONIC CONTROL AND BRACKET ASSEMBLY
15	022381-000	1	10-24 HEX KEPS NUT
16	PS100134	1	POWER CORD REF. DRAWER
17	022365-000	4	13 X 1/2 CARRIAGE BOLT
18	022380-000	1	POWER CORD CLAMP KIT (W/SCREWS)
19	022815-000	4	CARRIAGE BOLT 1/4-20 X 1.25 UNC 2A
20	022401-000	4	POP RIVET NO.AD43ABS ALUMINUM
21	022366-000	4	LEG LEVELER
22	022252-000	4	10-32 X 3/4 COUNTERSUNK SCREW
23	022403-000	4	NO.10 COUNTERSUNK WASHER
24	022370-000	1	MECHANICAL BASEPLATE
25	028393-000	1	AIR BAFFE
26	022908-000	4	GROMMET
27	022912-000	4	SLEEVE 2222006
28	PW240003	1	DRIER ASSY VUWC140
29	022938-000	1	FAN SHROUD
NI	022373-000	1	WIRING HARNESS, COMPRESSOR
NI	022378-000	1	HARNESS ASSEMBLY, AC LOAD
NI	PS100023	1	RUN CAPACITOR (42245134) 152 WC
NI	022948-000	1	OVERLOAD PROTECTOR ASSEMBLY