

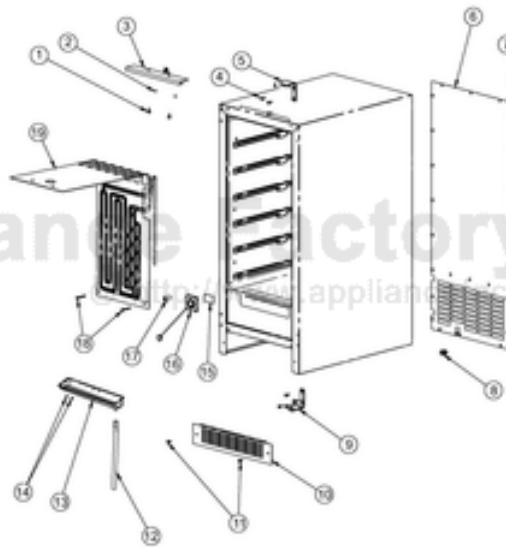
This Owner's Manual is provided and hosted by [Appliance Factory Parts](#).



# VIKING VUAR153T Owner's Manual

[Shop genuine replacement parts for VIKING VUAR153T](#)

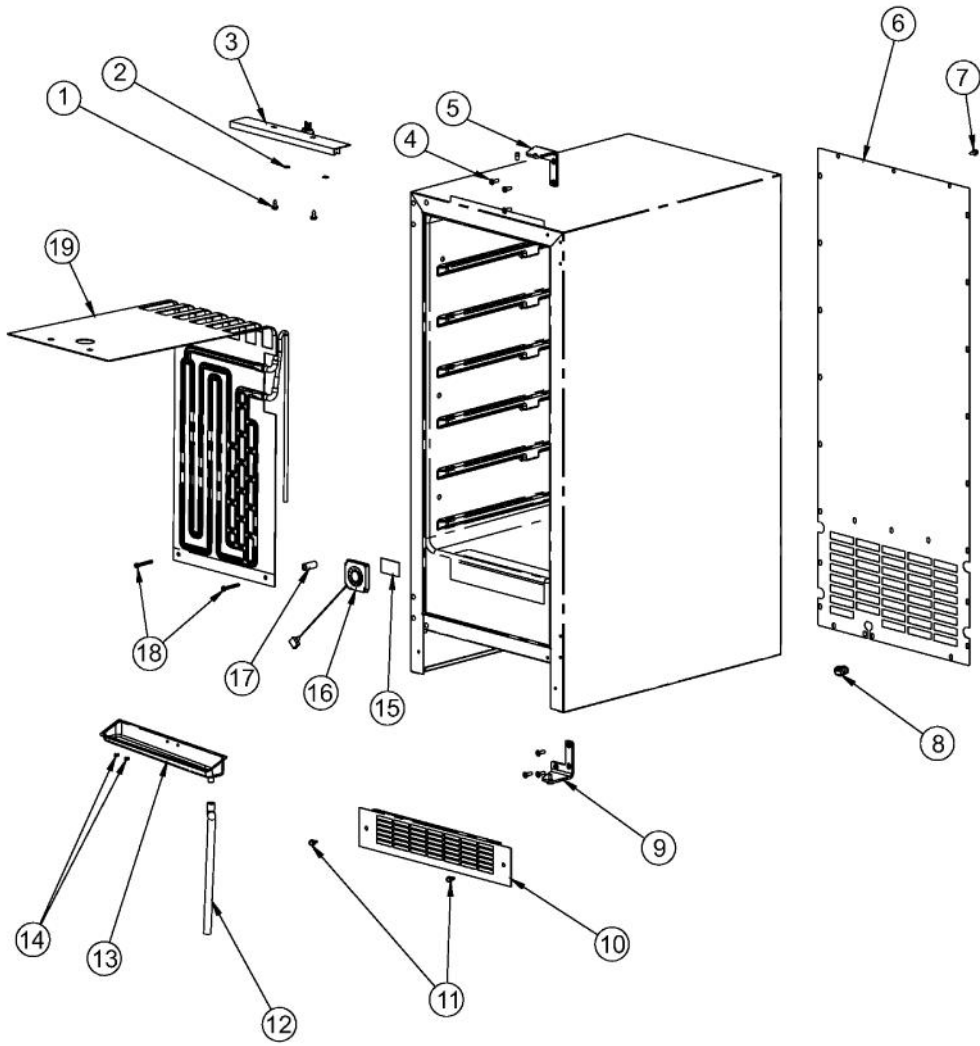
CABINET AREA



[Find Your VIKING Refrigerator Parts - Select From 341 Models](#)

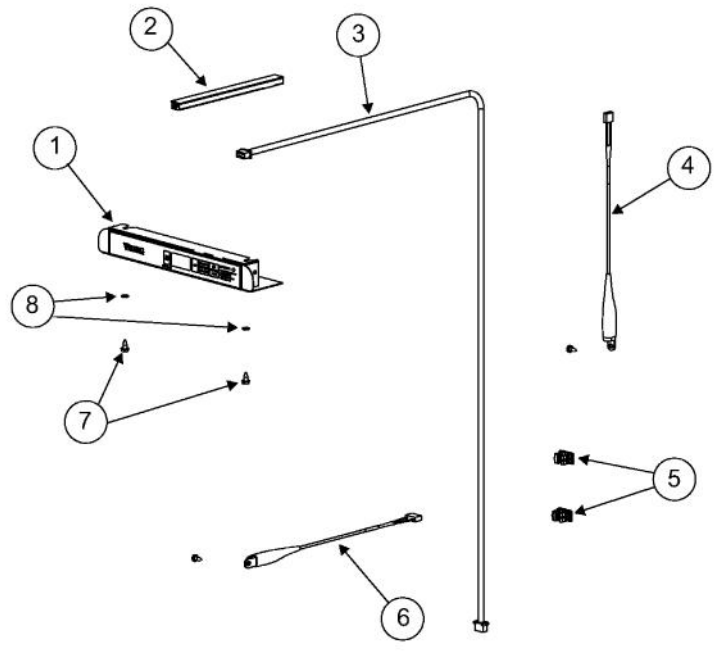
----- Manual continues below -----

# CABINET AREA



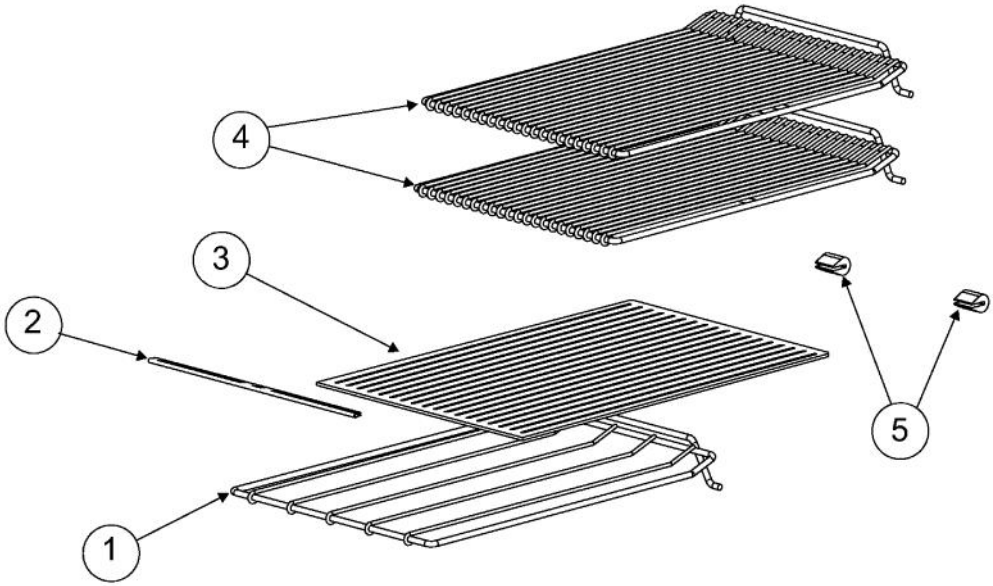
Ref #	Part Number	Qty.	Description
1	009515-000	2	NO.10-32 X 1/2 HEX WASHER HEAD SCREW
2	007641-000	2	NO.10 EXTERNAL TOOTH LOCKWASHER
3	PS100007	1	AURA LIGHT ASSY (BLACK) 42245124
4	010223-000	6	SCREW, NO.10-32 X .75 COUNTERSUNK, SS
5	009517-000	1	STANDARD HINGE, RIGHT TOP, CHROME
6	010055-000	1	OUTDOOR BACK PANEL
7	PW200039	26	SCREW41005076
8	010056-000	1	STRAIN RELIEF
9	010244-000	1	HINGE, RIGHT BOTTOM - SS
10	010060-000	1	TOE GRILLE - SS
11	009489-000	2	NO.12 X 3/4 TYPE AB PHILLIPS SCREW, BLACK
12	PW240035	1	DRAIN TUBE 41005383
13	PW210027	1	DRIP TRAY (42242903)
14	PW200019	2	POP RIVET
15	010245-000	1	DOUBLEE SIDED TAPE, 1.75
16	009747-000	1	EVAPORATOR FAN
17	010029-000	2	1 SPACER - WH
18	PW300267	2	DRAFT TOWER MOUNTING SCREW (41006739) VUBD
19	010030-000	1	EVAPORATOR ASSEMBLY - WH
NI	010031-000	4	LEVELING LEG

# CONTROL AREA



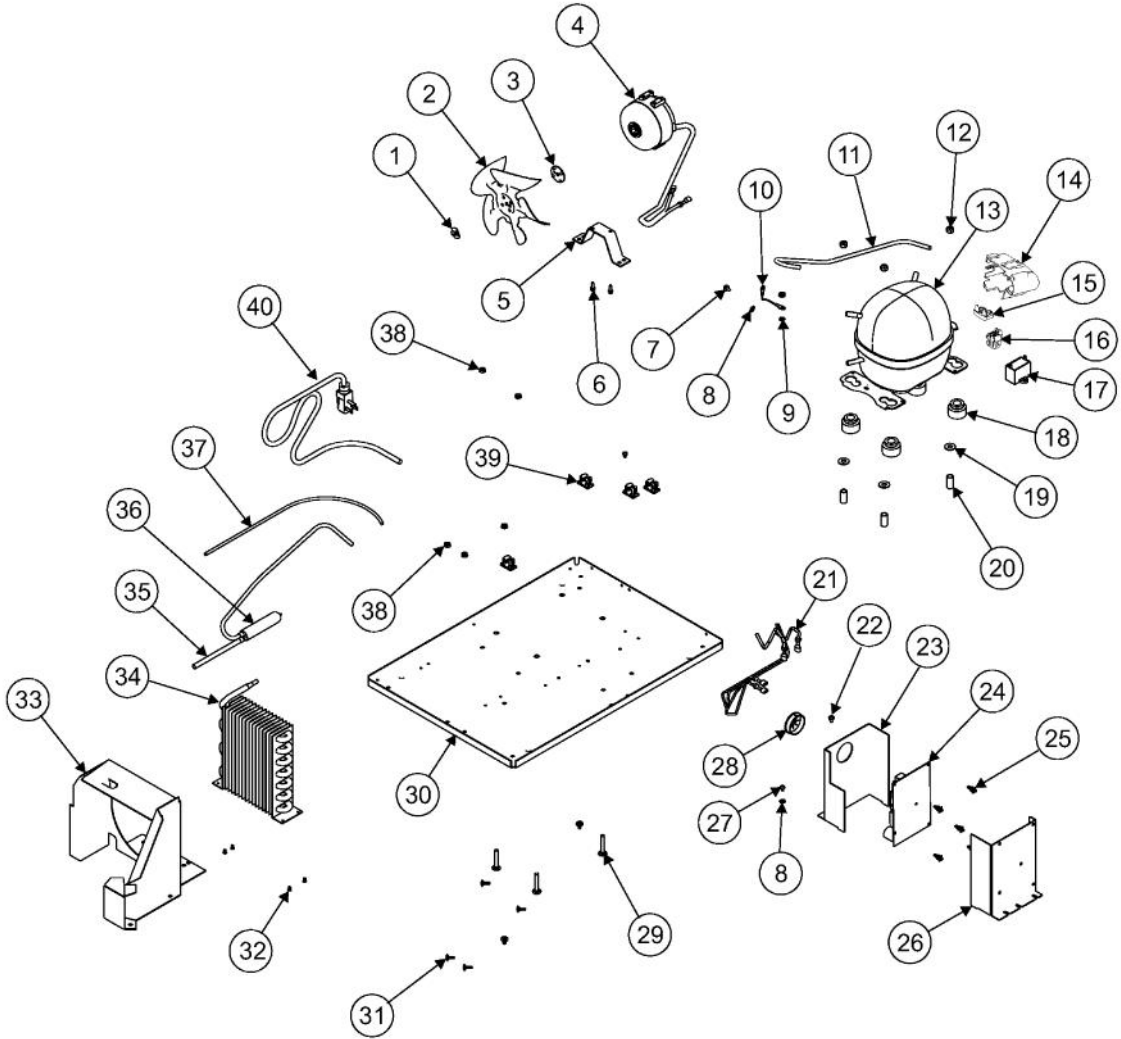
Ref #	Part Number	Qty.	Description
1	028585-000	1	DISPLAY ASM WH, 15 BC SOLID DR. T
2	010022-000	1	WIRE CONDUIT
3	009482-000	1	COMMUNICATION CABLE
4	009483-000	1	EVAPORATOR TEMPERATURE THERMISTOR
5	007640-000	2	PLASTIC WIRE CLIP
6	009484-000	1	DISPLAY TEMPERATURE THERMISTOR
7	009485-000	2	MACHINE SCREW - SS
8	009486-000	2	NO.10 EXTERNAL TOOTH STAR WASHER, SS

### INTERIOR SHELVING AREA



Ref #	Part Number	Qty.	Description
1	010025-000	1	WIRE SHELF
2	010024-000	1	GLASS SHELF TRIM
3	005872-000	1	GLASS SHELF
4	005873-000	2	WIRE SHELF - CHROME
5	009500-000	2	1 BUMPER - WH

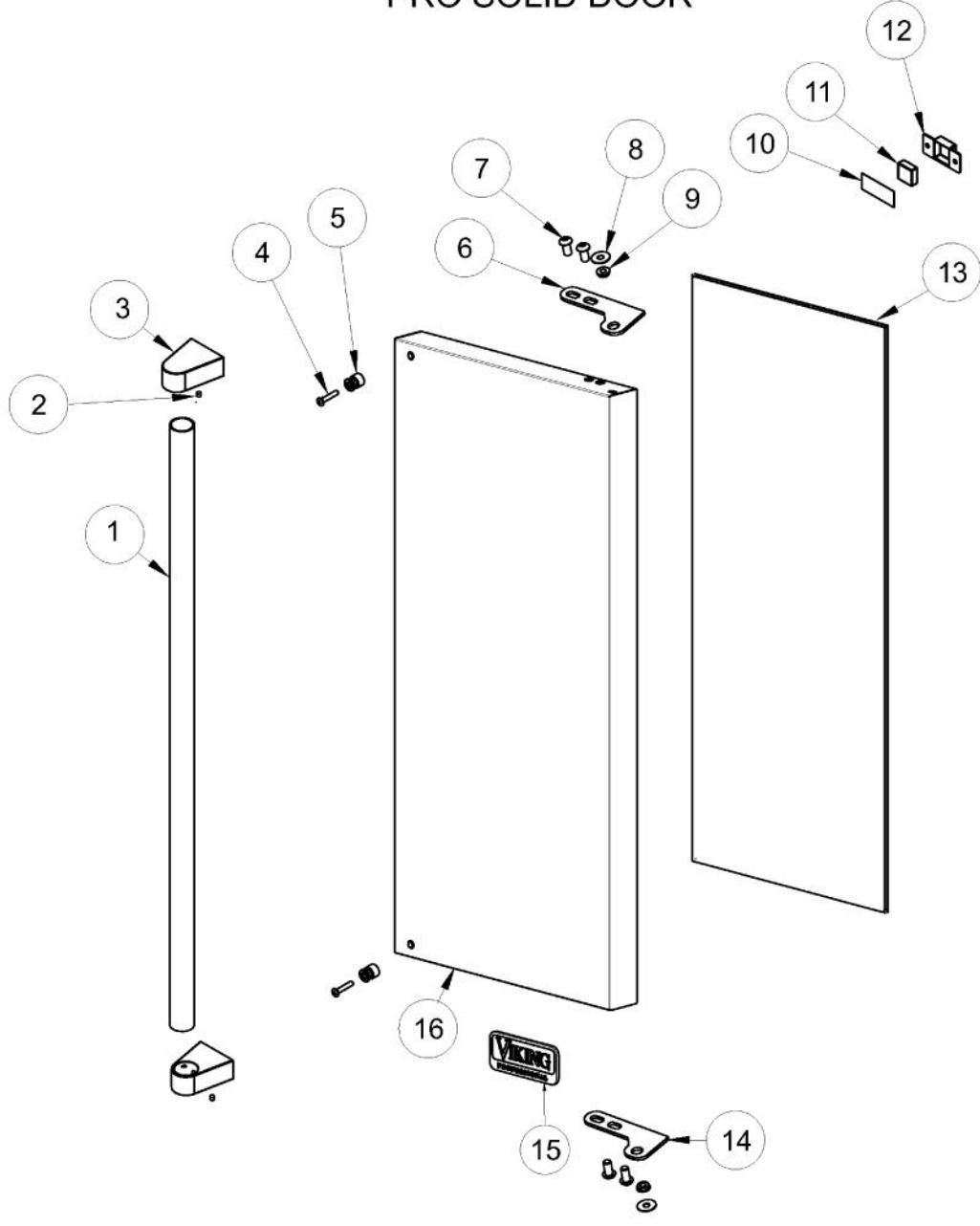
# LOWER UNIT AREA





Ref #	Part Number	Qty.	Description
1	PW240005	1	FAN/MTR ASSY COMPLETE VUWC
2	PW200037	1	FAN BLADE
3	009831-000	1	SILENCER (INCLUDED W/FAN)
4	PW240005	1	FAN/MTR ASSY COMPLETE VUWC
5	010035-000	1	PROCESSOR TUBE
6	009509-000	1	NO.8-36 SCREW
7	PW200029	1	SCREW
8	007641-000	1	NO.10 EXTERNAL TOOTH LOCKWASHER
9	010776-000	1	LOCK WASHER
10	PW300137	1	GROUND WIRE (VUIM150)
11	010035-000	1	PROCESSOR TUBE
12	PW200017	3	LOCK NUT .25-.20 UNC
13	PW240041	1	COMPRESSOR 15 (42242896)
14	009507-000	1	RELAY COVER
15	PS100020	1	OVERLOAD (42245133) 152 WC
16	PS100021	1	PTC RELAY (42245131) 152 WC
17	PS100023	1	RUN CAPACITOR (42245134) 152 WC
18	010036-000	4	GROMMET (COMES WITH COMPRESSOR)
19	PW200018	3	.312 ID FLAT WASHER
20	010037-000	3	SLEEVE (COMES WITH COMPRESSOR)
21	010038-000	1	WIRE HARNESS
22	PW200021	4	SCREW
23	009805-000	1	OUTDOOR COVER BRKT
24	009511-000	1	ELECTRONIC CONTROL BOARD
25	009513-000	4	STANDOFF
26	009514-000	1	CONTROL BOARD MOUNTING BRACKET
27	PW200017	2	LOCK NUT .25-.20 UNC
28	009487-000	2	BUSHING
29	010040-000	3	1/4-20 X 1 1/2 CARRIAGE BOLT
30	010033-000	1	BASEPLATE
31	010039-000	4	RIVET, 1/8 STEEL
32	010034-000	6	KEP NUT (42247454)
33	010061-000	1	FAN SHROUD
34	PW300159	1	CONDENSER ASSY
35	009810-000	1	DRYER TUBE
36	010238-000	1	DRIER
37	010032-000	1	DISCHARGE TUBE
38	010034-000	6	KEP NUT (42247454)
39	007640-000	4	PLASTIC WIRE CLIP
40	PW300153	1	POWER CORD (VUIM150) 42242963

### PRO SOLID DOOR



Ref #	Part Number	Qty.	Description
1	009519-000	1	HANDLE TUBE, SS
2	009669-000	2	END CAP W/SET SCREW
3	009644-000	2	SET SCREW
4	PW300163	2	SCREW (VUIM150) 42243357
5	009641-000	2	VIKING HANDLE STAND-OFF STUD
6	009780-000	1	OUTER CHUTE DOOR SKIN
7	010212-000	4	SCREW, 1/4-20 SS
8	009781-000	2	INNER CHUTE DOOR SKIN
9	009755-000	2	HINGE BUSHING
10	009762-000	1	3M TAPE, 1.75
11	009759-000	1	DOOR SWITCH MAGNET
12	010668-000	1	RETAINER, MAGNET
13	PW230017	1	DOOR GASKET (VUAR/VUWC) 42242914
14	009757-000	1	HINGE ADAPTER, BOTTOM, SS
15	PW230007	1	NAMEPLATE, PRO
16	009526-000	1	DOOR ASSEMBLY - RH, WH DR, WH GKT
16	009527-000	1	DOOR ASSEMBLY - LH, WH DR, WH GKT
17	010211-000	1	END CAP BOT W/SS