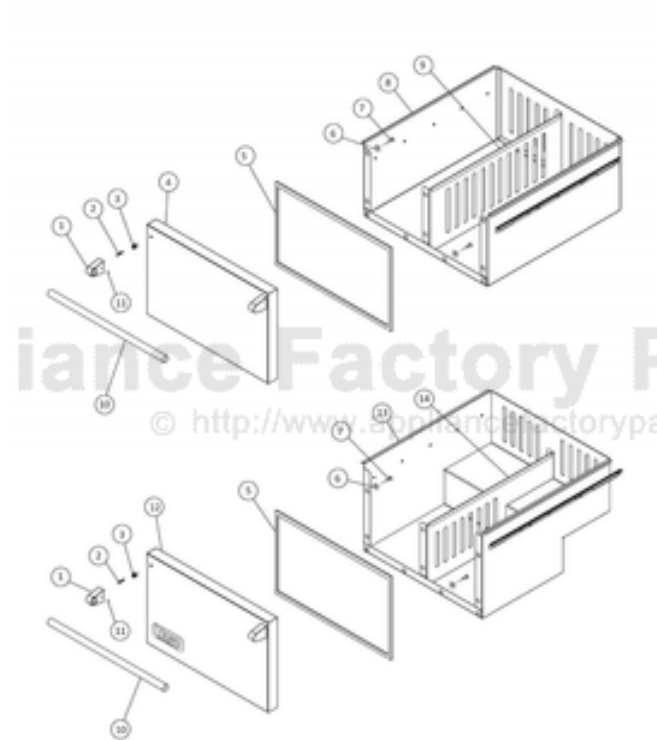


This Owner's Manual is provided and hosted by [Appliance Factory Parts](http://www.ApplianceFactoryParts.com).



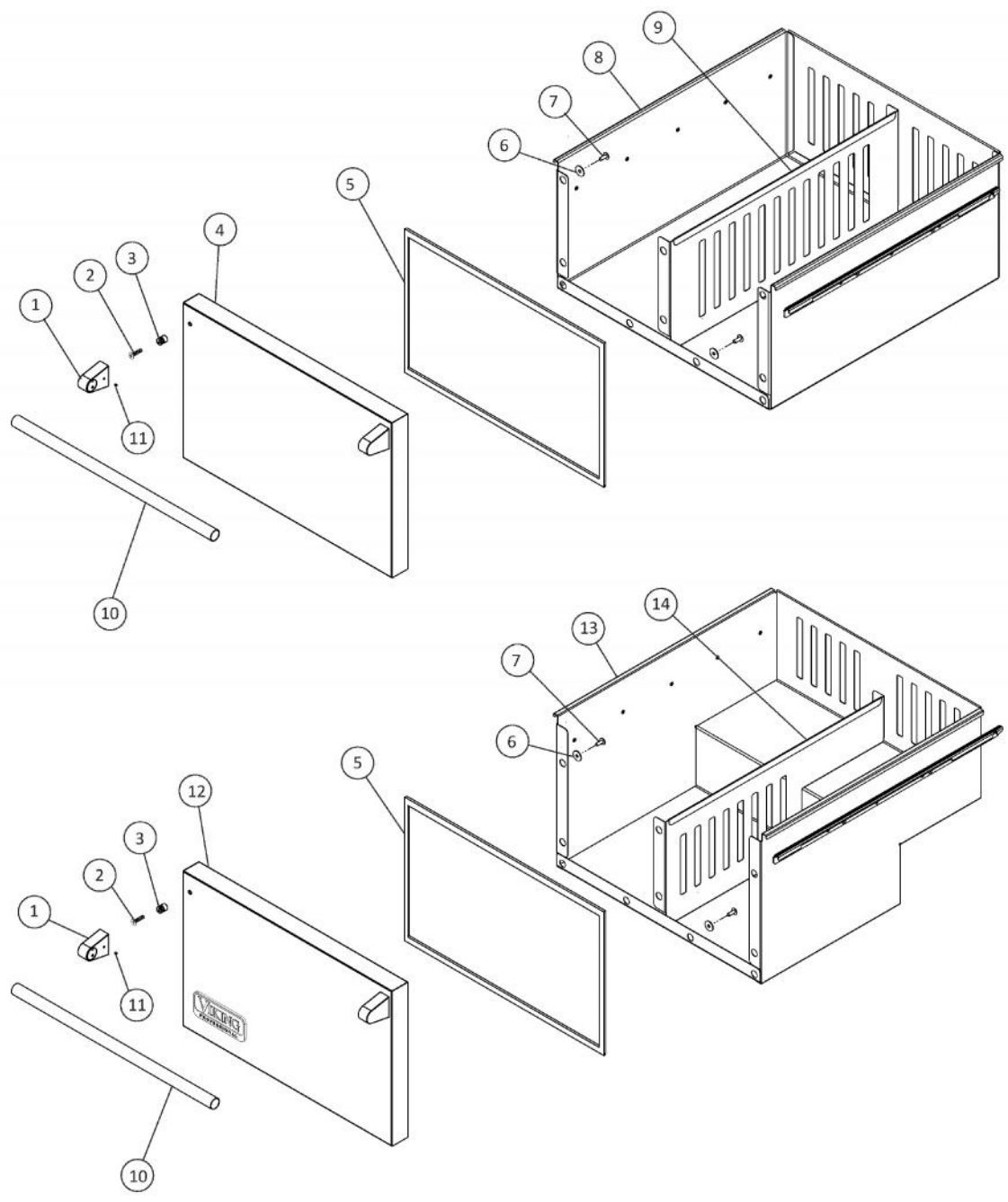
VIKING VURD1441T - AFTER 9-25-2009 Owner's Manual

[Shop genuine replacement parts for VIKING
VURD1441T - AFTER 9-25-2009](#)

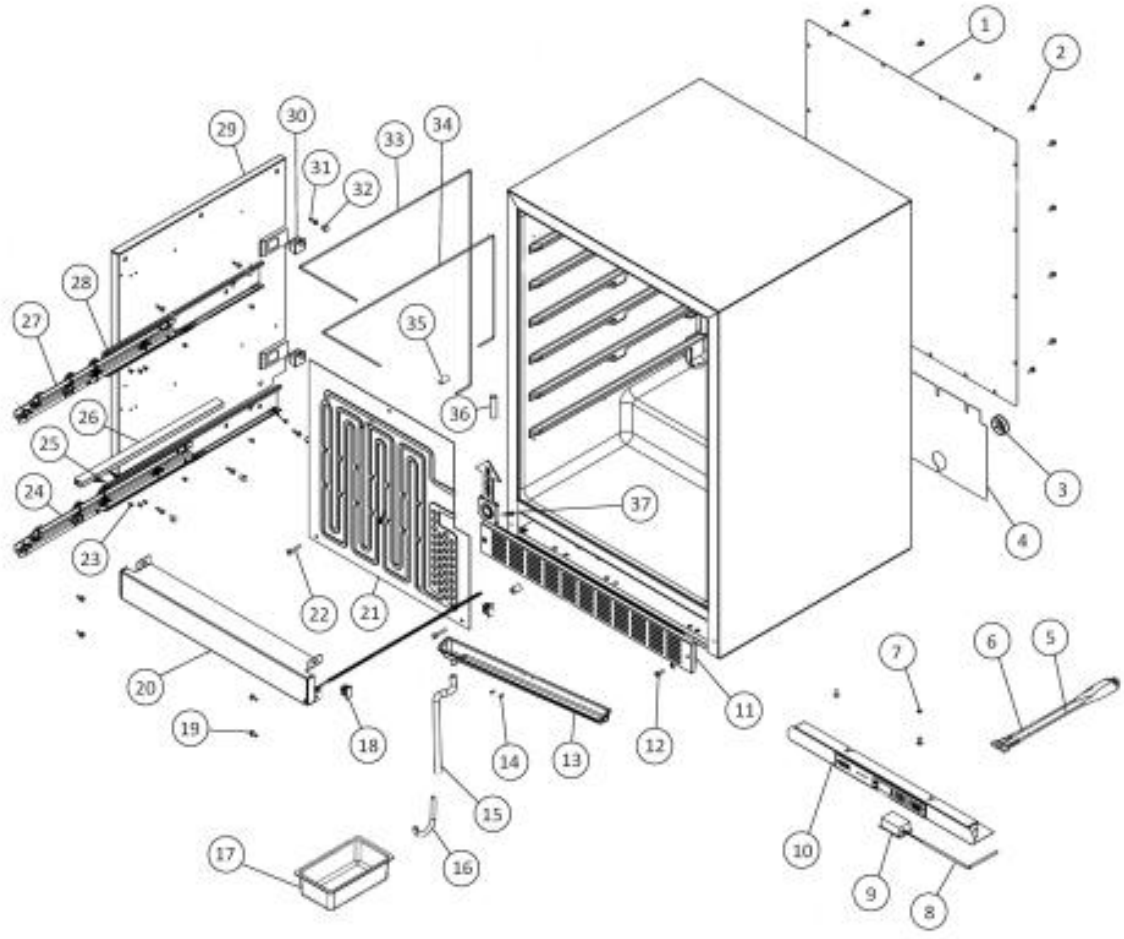


[Find Your VIKING Refrigerator Parts - Select From 341 Models](#)

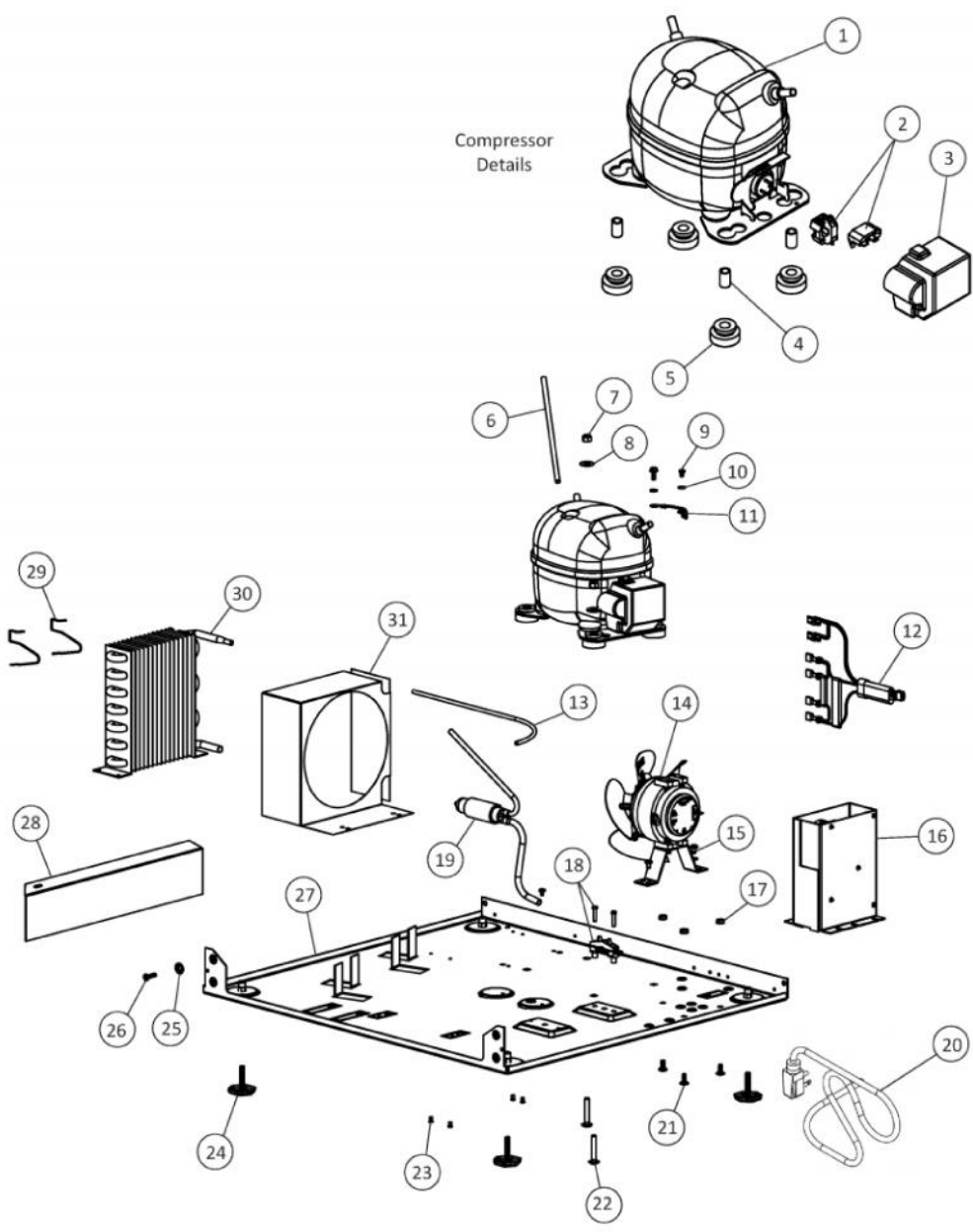
----- Manual continues below -----



Ref #	Part Number	Qty.	Description
1	022438-000	4	STANDOFF TOP
2	022434-000	4	NO.10-32 X 1? TRUSS HEAD MACHINE SCREW
3	009521-000	4	STANDOFF STUD
4	022844-000	1	COMPLETE DRAWER FRONT, WITH HANDLE AND GASKET
5	022845-000	2	MAGNETIC GASKET, BLACK
6	022846-000	20	WASHER, STAINLESS STEEL
7	022820-000	20	10-32 X 1/2 MACHINE SCREW, SS
8	022889-000	1	UPPER DRAWER, STAINLESS STEEL, WITH DIVIDER
9	022887-000	1	UPPER DRAWER DIVIDER, STAINLESS STEEL
10	022850-000	2	HANDLE TUBE
11	022436-000	4	10-32 X 1/4? SET SCREW
12	028501-000	1	COMPLETE DRAWER FRONT, WITH HANDLE AND GASKET
13	022891-000	1	LOWER DRAWER, STAINLESS STEEL, WITH DIVIDER
14	022893-000	1	LOWER DRAWER DIVIDER, STAINLESS STEEL



Ref #	Part Number	Qty.	Description
1	022915-000	1	BACK PANEL
2	022914-000	24	NO.10 X 1/2 TYPE F SCREW SS
3	022354-000	1	HEYCO BUSHUNG
4	028691-000	1	ACCESS COVER
5	009484-000	1	DISPLAY TEMPERATURE THERMISTOR
6	009483-000	1	EVAPORATOR TEMPERATURE THERMISTOR
7	022358-000	1	NO.12 EXTERNAL TOOTH STAR WASHER
8	022866-000	1	RDE LIGHT HARNESS
9	022867-000	1	LED LIGHT
10	022154-000	1	U/I DISPLAY HOUSING
11	028892-000	1	STAINLESS STEEL GRILLE
12	022922-000	2	NO.10 X 1? PHILLIPS PAN HEAD SCREW
13	022455-000	1	DRIP PAN
14	022401-000	2	POP RIVET NO.AD43ABS ALUMINUM
15	PW220009	1	DRAIN TUBE J-TRAP (42242901)
16	022460-000	1	?J? TRAP
17	022869-000	1	DRIP TRAY
18	022359-000	2	FASTEX CLAMP
19	022914-000	4	NO.10 X 1/2 TYPE F SCREW SS
20	028502-000	1	CROSS PIECE ASSEMBLY
21	022871-000	1	EVAPORATOR ASSEMBLY
22	022872-000	3	NO.10-32 MACHINE SCREW
23	022874-000	22	COUNTERSUNK POP RIVET
24	022875-000	1	DRAWER SLIDE WL, 500MM (SHOWN)
24	022876-000	1	DRAWER SLIDE WR, 500MM
25	022877-000	1	DRAWER SLIDE CL, 500MM (SHOWN)
25	022878-000	1	DRAWER SLIDE CR, 500MM
26	022350-000	2	WIRE CONDUIT
27	022851-000	1	DRAWER SLIDE WL, 450MM (SHOWN)
27	022852-000	1	DRAWER SLIDE WR, 450MM
28	022853-000	1	DRAWER SLIDE CL, 450MM (SHOWN)
28	022854-000	1	DRAWER SLIDE CR, 450MM
29	022855-000	1	LINER SHIELD, LEFT SIDE (SHOWN)
29	022856-000	1	LINER SHIELD, RIGHT SIDE
30	022857-000	2	LIGHT SWITCH
31	022473-000	12	NO.10 X .5 TYPE AB SHEET METAL SCREW, ZN
32	022859-000	12	HEYCO SNAP PLUG
33	022861-000	1	SWITCH HARNESS
34	022860-000	1	SWITCH HARNESS
35	022862-000	3	3/4? SPACER
36	022863-000	2	CAP
37	009747-000	1	EVAPORATOR FAN



Ref #	Part Number	Qty.	Description
1	028378-000	1	COMPRESSOR
2	022948-000	1	OVERLOAD PROTECTOR ASSEMBLY
3	022886-000	1	COVER
4	022912-000	4	SLEEVE 2222006
5	022908-000	4	GROMMET
6	022406-000	1	PROCESS TUBE, 1/4 X 10?
7	022395-000	4	CONVECTION MOTOR
8	022388-000	4	FAN MOTOR
9	022883-000	3	NO.8-32 X 1/4 PHILLIPS PAN HEAD SCREW, GALVANIZED
10	022358-000	3	NO.12 EXTERNAL TOOTH STAR WASHER
11	PW300137	1	GROUND WIRE (VUIM150)
12	022882-000	1	HARNESS LED LIGHTS, ALPHA
13	022364-000	1	TUBING, .188 OD X 14 IN
14	028484-000	1	CONDENSER FAN ASSEMBLY
15	022879-000	2	NO.10-32 X 5/16? PHILLIPS PAN HEAD SCREW
16	022477-000	1	ELECTRONIC CONTROL AND BRACKET ASSEMBLY
17	022381-000	2	10-24 HEX KEPS NUT
18	022380-000	1	POWER CORD CLAMP KIT (W/SCREWS)
19	PW240003	1	DRIER ASSY VUWC140
20	PS100134	1	POWER CORD REF. DRAWER
21	022365-000	2	13 X 1/2 CARRIAGE BOLT
22	022815-000	4	CARRIAGE BOLT 1/4-20 X 1.25 UNC 2A
23	022401-000	4	POP RIVET NO.AD43ABS ALUMINUM
24	022366-000	1	LEG LEVELER
25	022403-000	4	NO.10 COUNTERSUNK WASHER
26	022252-000	4	10-32 X 3/4 COUNTERSUNK SCREW
27	022370-000	1	MECHANICAL BASEPLATE
28	028503-000	1	FRONT SHROUD
29	022938-000	2	FAN SHROUD
30	028504-000	1	CONDENSER
31	022938-000	1	FAN SHROUD
NI	022373-000	1	WIRING HARNESS, COMPRESSOR