

This Owner's Manual is provided and hosted by [Appliance Factory Parts](#).



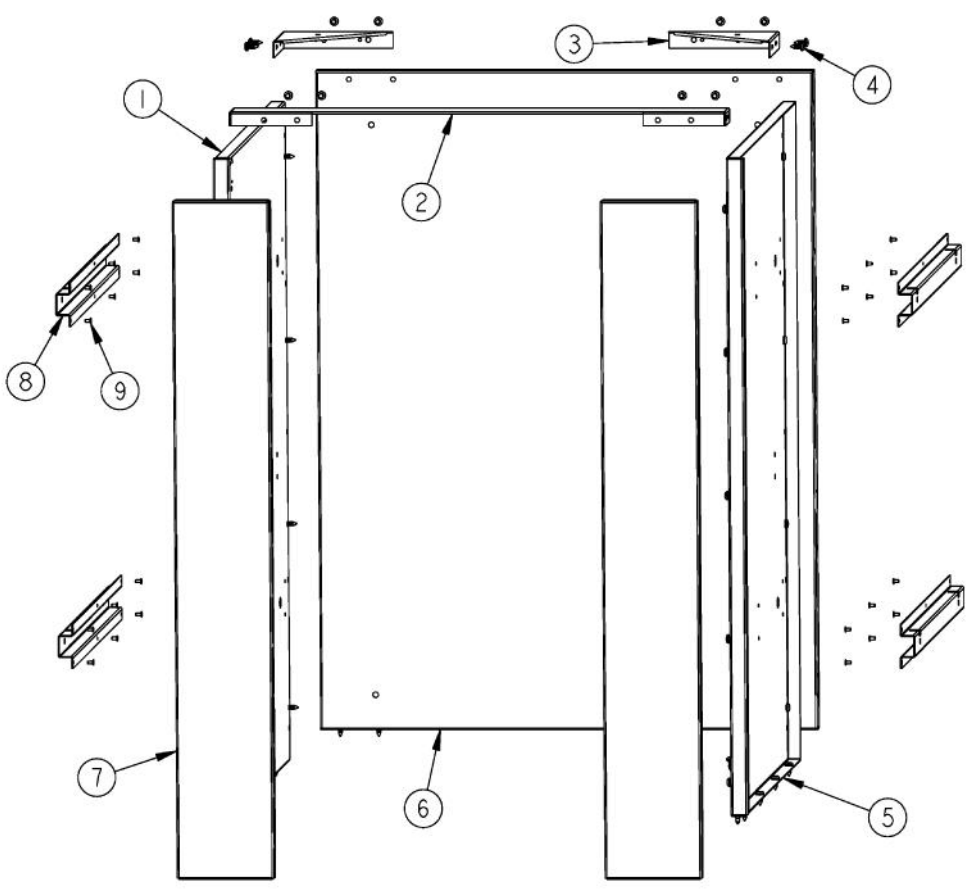
# VIKING VURO2400 Owner's Manual

[Shop genuine replacement parts for VIKING VURO2400](#)

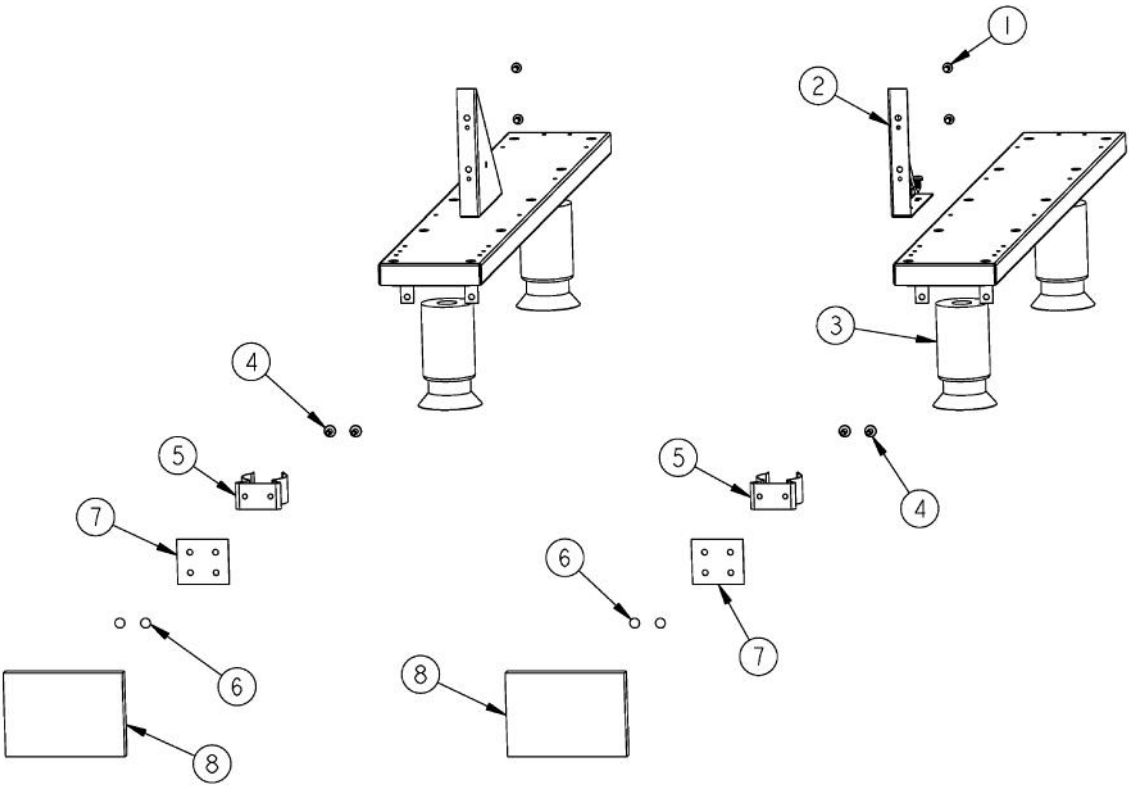


[Find Your VIKING Refrigerator Parts - Select From 341 Models](#)

----- Manual continues below -----



Ref #	Part Number	Qty.	Description
1	B20014823		LH I/S SIDE (VURO24/3200)
2	B20014832		TOP SUPPORT (VURO2400)
3	B20014638		TOP CORNER BRACE
4	PD020055		NO.10 X 1/2 PAN PHIL. TEK. SS
5	B20014822		RH I/S SIDE (VURO3200)
6	B20014824		24 REAR (VURO2400)
7	B30014826		5 SIDE FRONT FASCIA
8	A20013956		MOUNT BRACKET (CABINETS)
9	PC040014		POP RIVOT-SS42 SS



Ref #	Part Number	Qty.	Description
1	PD020055		NO.10 X 1/2 PAN PHIL. TEK. SS
2	B20014638		TOP CORNER BRACE
3	PC030017		4 LEG ASSY
4	PD020002		10 X 1/2 PH.TR.HD.SMS.
5	PD030002		LOWER ACC PAN SPRING CLAMP (SYWE1)
6	PC040003		POP RIVET - SB64 3/16DIA.X 3/8
7	A10014850		5 KICK PLATE MNT BRKT
8	PK030493		5 KICK PLATE 4.625 X 3.250
NI	G32014869		LH 5 KICK PLATE ASSEMBLY (INC. ITEMS NO. 4 THROUGH NO. 8)
NI	G32014845		RH 5 KICK PLATE ASSEMBLY (INC. ITEMS NO. 4 THROUGH NO. 8)