

This Owner's Manual is provided and hosted by [Appliance Factory Parts](#).



VIKING VURO3200 Owner's Manual

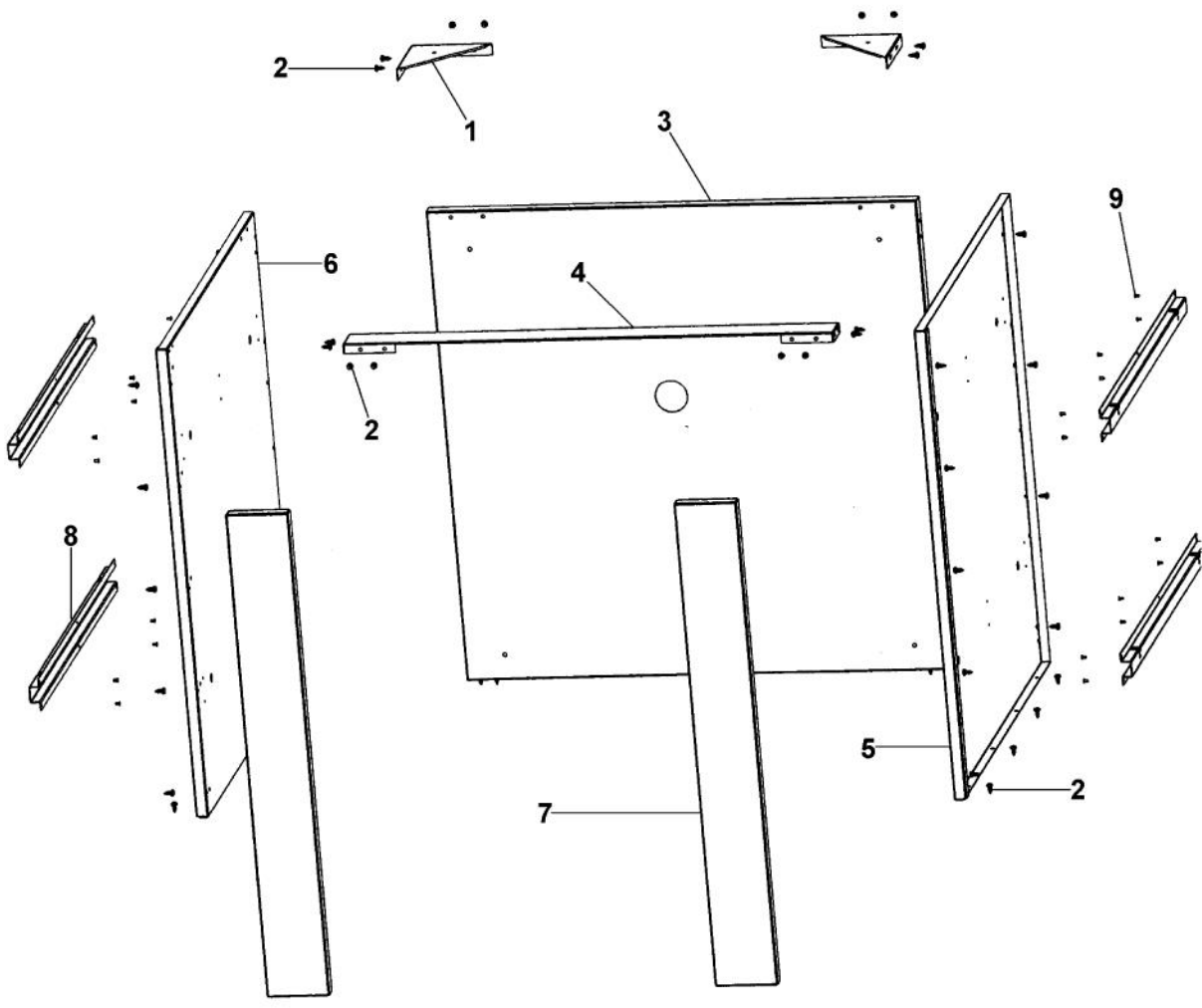
[Shop genuine replacement parts for VIKING VURO3200](#)



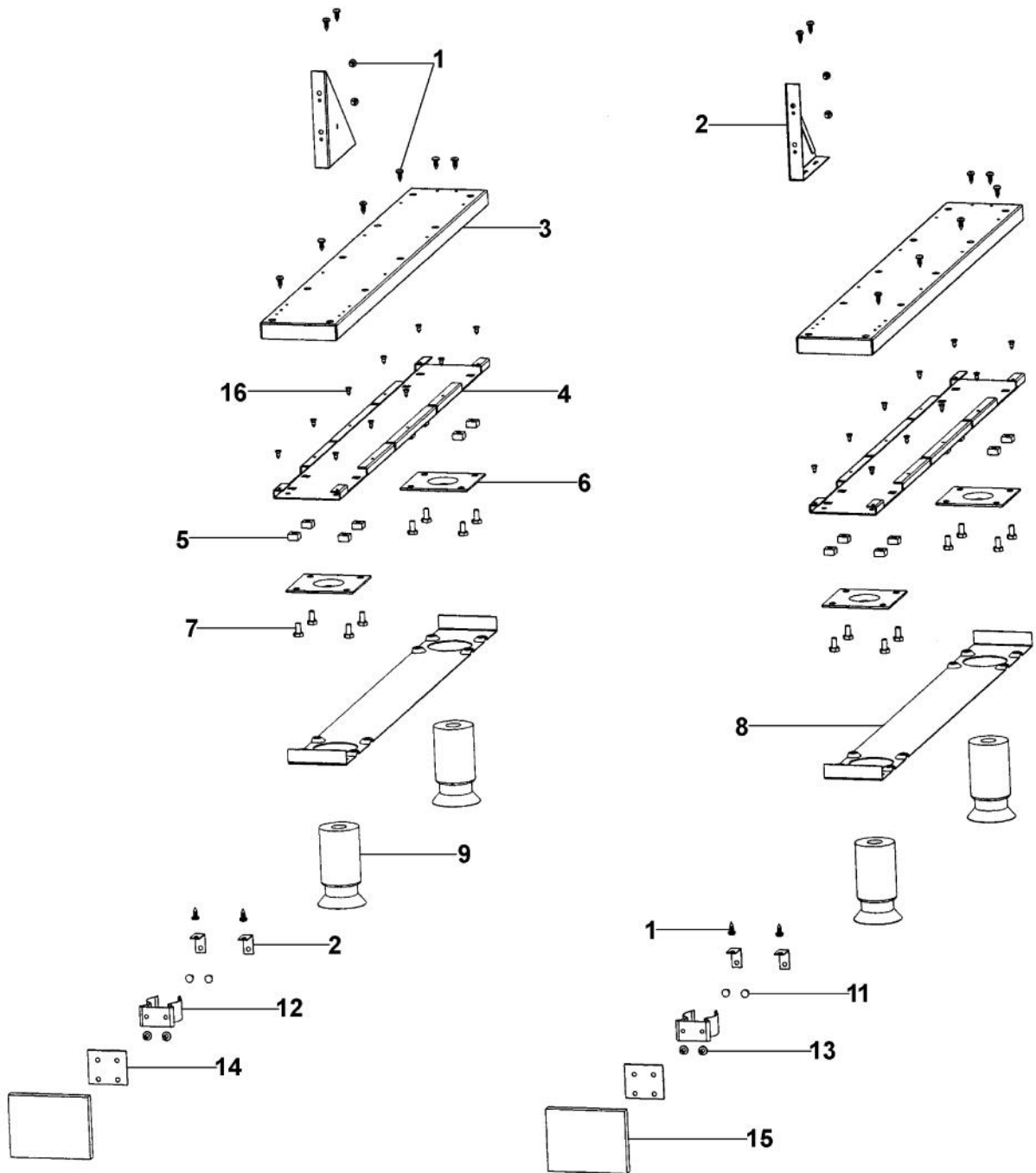
Refrigeration Unit and Top are Not Included

[Find Your VIKING Refrigerator Parts - Select From 341 Models](#)

----- Manual continues below -----



Ref #	Part Number	Qty.	Description
1	B20014638		TOP CORNER BRACE
2	PD020055		NO.10 X 1/2 PAN PHIL. TEK. SS
3	B20014831		32 REAR (VURO3200)
4	B20014830		TOP SUPPORT (VERO3200)
5	B20014822		RH I/S SIDE (VURO3200)
6	B20014823		LH I/S SIDE (VURO24/3200)
7	B30014829		4 SIDE FRONT FASCIA
8	A20013956		MOUNT BRACKET (CABINETS)
9	PC040014		POP RIVOT-SS42 SS



Ref #	Part Number	Qty.	Description
1	PD020055		NO.10 X 1/2 PAN PHIL. TEK. SS
2	B20014638		TOP CORNER BRACE
3	B20014618		MAIN BOTTOM (68 REF) CABINET
4	A20014820		LEG BRACE 30 CABINET
5	PD030043		1/4-20 CAGE NUT SS
6	PC030007		LEG PLATE - 3/4 THREADED HOLE
7	PD010006		HEX HD. BOLT - 1/4-20 X 1/2
8	B20014619		BOTTOM COVER (68 REF) CABINET
9	PC030017		4 LEG ASSY
10	A20014868		KICK PLATE SUPPORT (REF) CABINET
11	PC040003		POP RIVET - SB64 3/16DIA.X 3/8
12	PD030002		LOWER ACC PAN SPRING CLAMP (SYWE1)
13	PD020002		10 X 1/2 PH.TR.HD.SMS.
14	A10014849		4 KICK PLATE MOUNT BRKT
15	PK030492		4 KICK PLATE 4.125 X 3.250
16	PD020230		NO.8 X 3/8 S. S. P.H. FLAT U/C S.M.S.