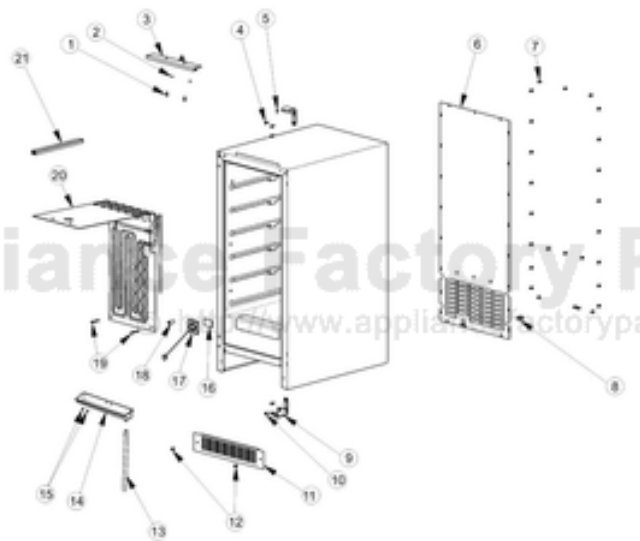


This Owner's Manual is provided and hosted by [Appliance Factory Parts](#).



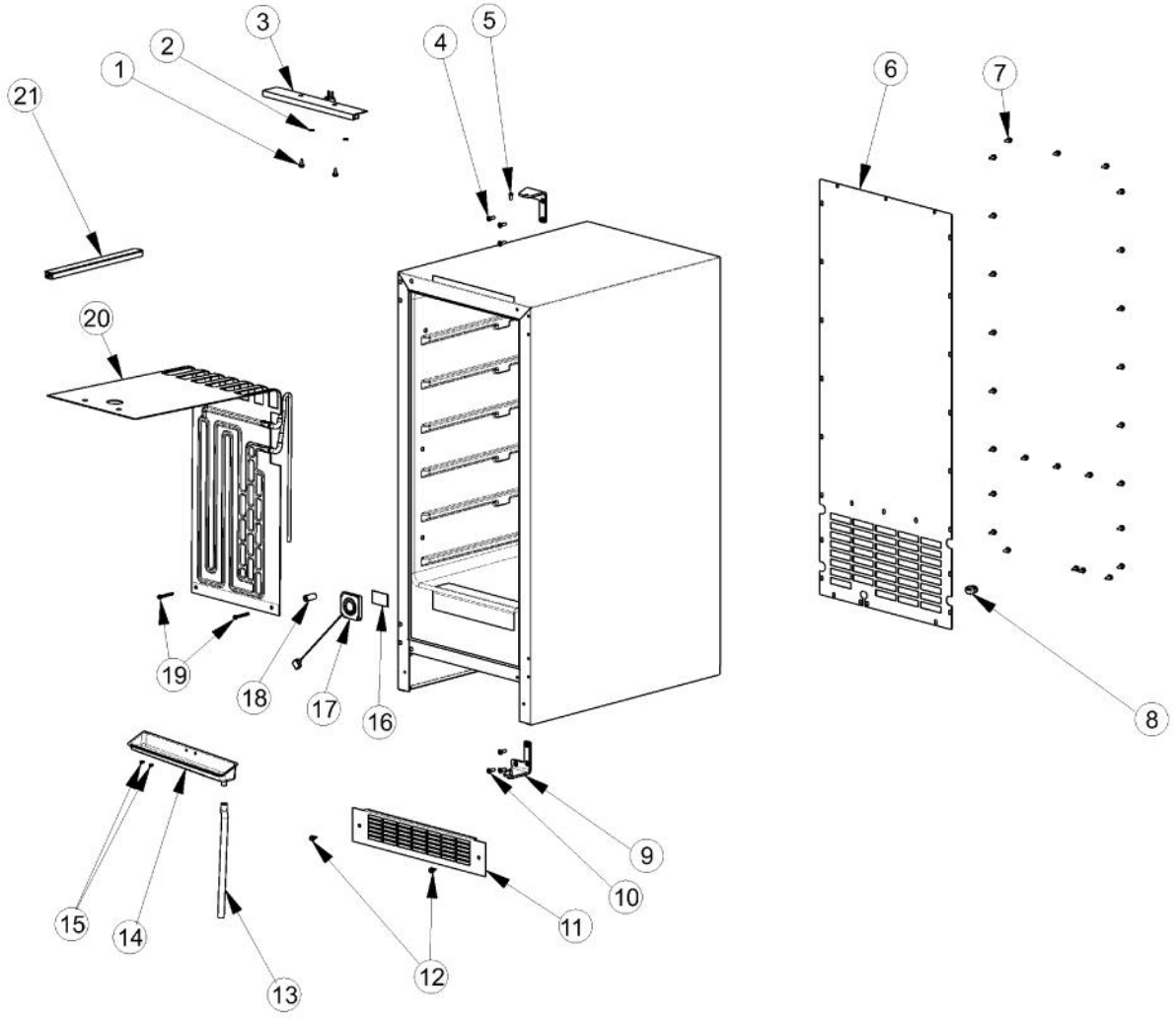
VIKING VUWC154 Owner's Manual

[Shop genuine replacement parts for VIKING VUWC154](#)

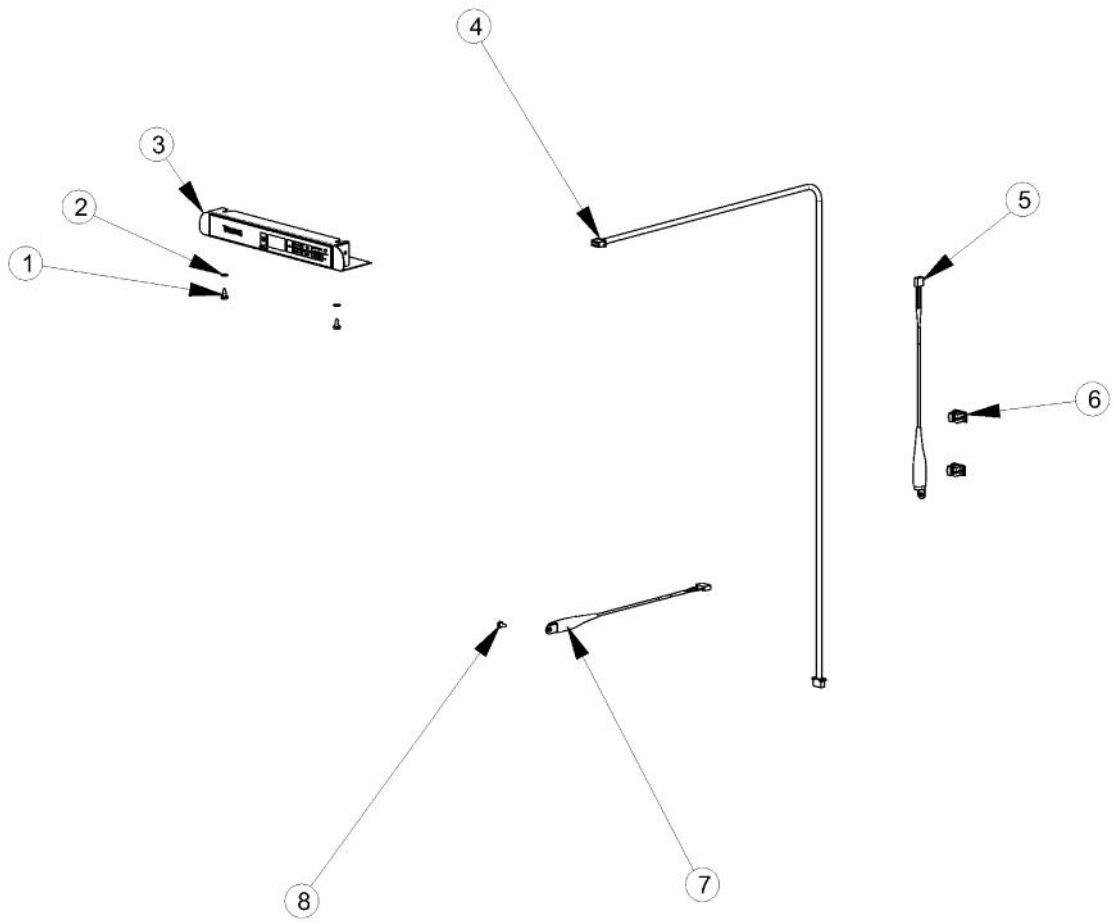


[Find Your VIKING Refrigerator Parts - Select From 341 Models](#)

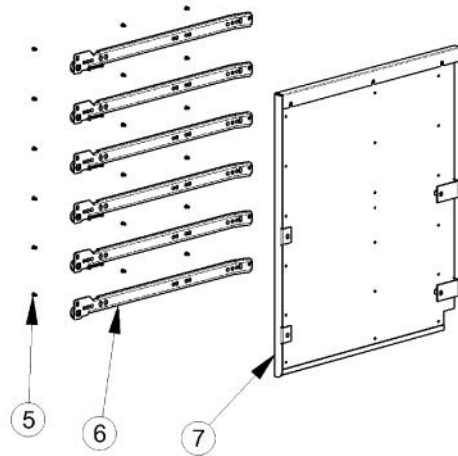
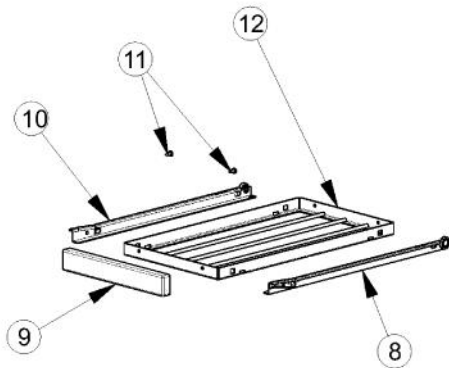
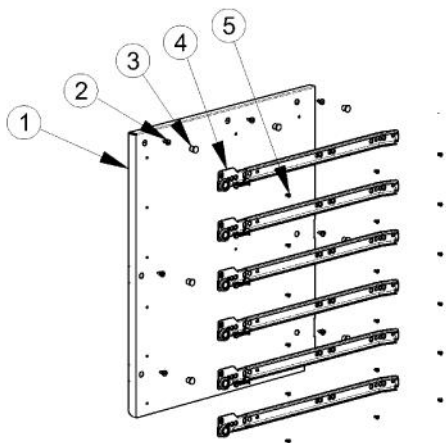
----- Manual continues below -----



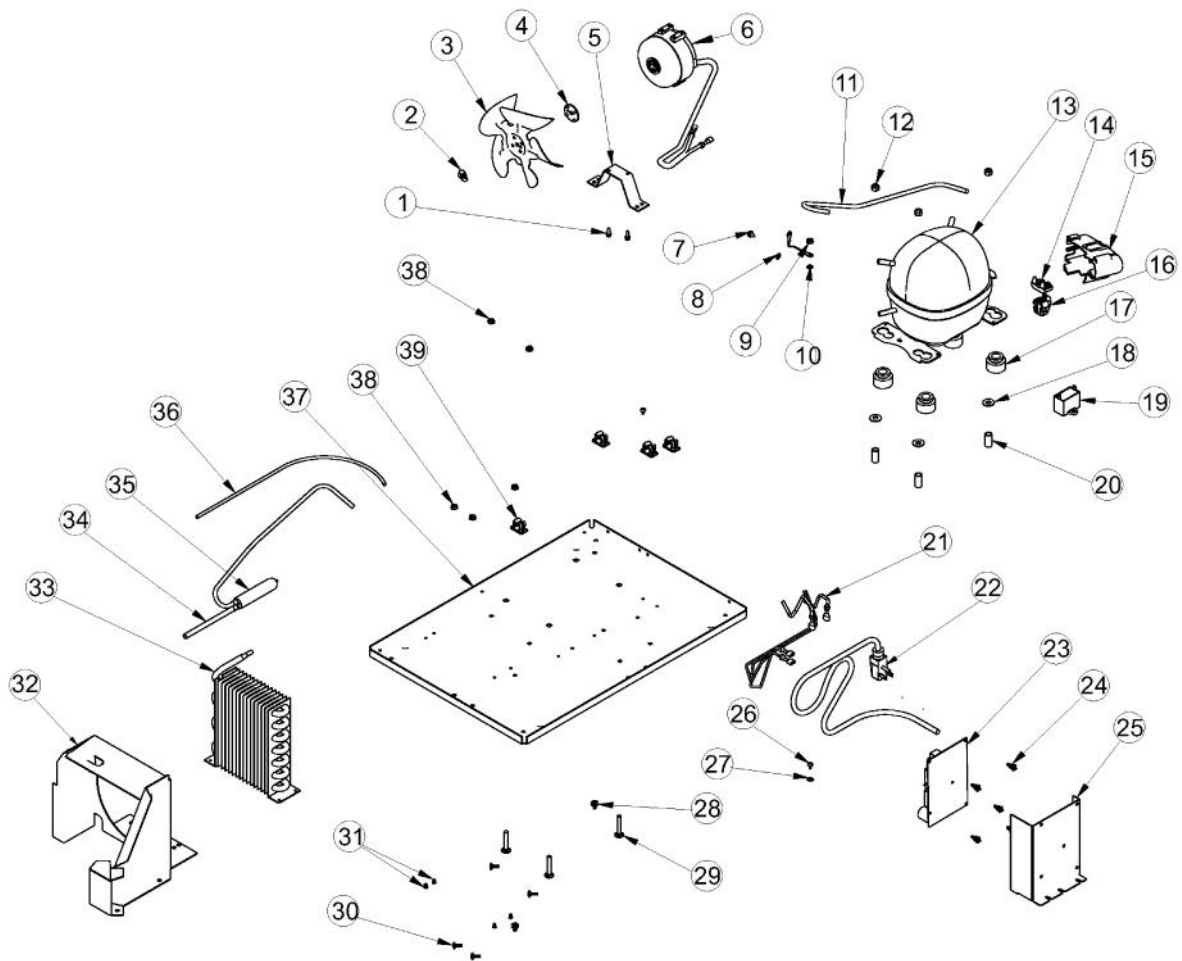
Ref #	Part Number	Qty.	Description
1	009924-000	2	WASHER HD SCREW - ZN
2	007641-000	1	NO.10 EXTERNAL TOOTH LOCKWASHER
3	PS100007	1	AURA LIGHT ASSY (BLACK) 42245124
4	010236-000	3	10-32 X 3/4? PHILLIPS COUNTERSUNK SCREW, ZN
5	010695-000	1	STANDARD HINGE, RIGHT TOP, CHROME
6	PS100019	1	BACK PANEL ASSEMBLY (42245283) 152 WC
7	009924-000	26	WASHER HD SCREW - ZN
8	010021-000	1	BUSHING
9	010702-000	1	STANDARD HINGE, RIGHT BOTTOM, CHROME
10	010236-000	3	10-32 X 3/4? PHILLIPS COUNTERSUNK SCREW, ZN
11	010027-000	1	TOE GRILLE - BK
12	009489-000	2	NO.12 X 3/4 TYPE AB PHILLIPS SCREW, BLACK
13	PW240045	1	SERV. ASSY BLACK DRAIN TUBE 42244609
14	010772-000	1	DRIP TRAY - BL
15	PW200019	2	POP RIVET
16	010245-000	1	DOUBLEE SIDED TAPE, 1.75
17	010246-000	1	EVAPORATOR FAN
18	010028-000	2	1 SPACER - BK
19	PW200007	2	SCREW, EVAPOR. (VUWC140)X 08204902
20	010774-000	1	EVAPORATOR ASSEMBLY
21	010022-000	1	WIRE CONDUIT
NI	PW200078	4	LEVELING LEG (42246384)



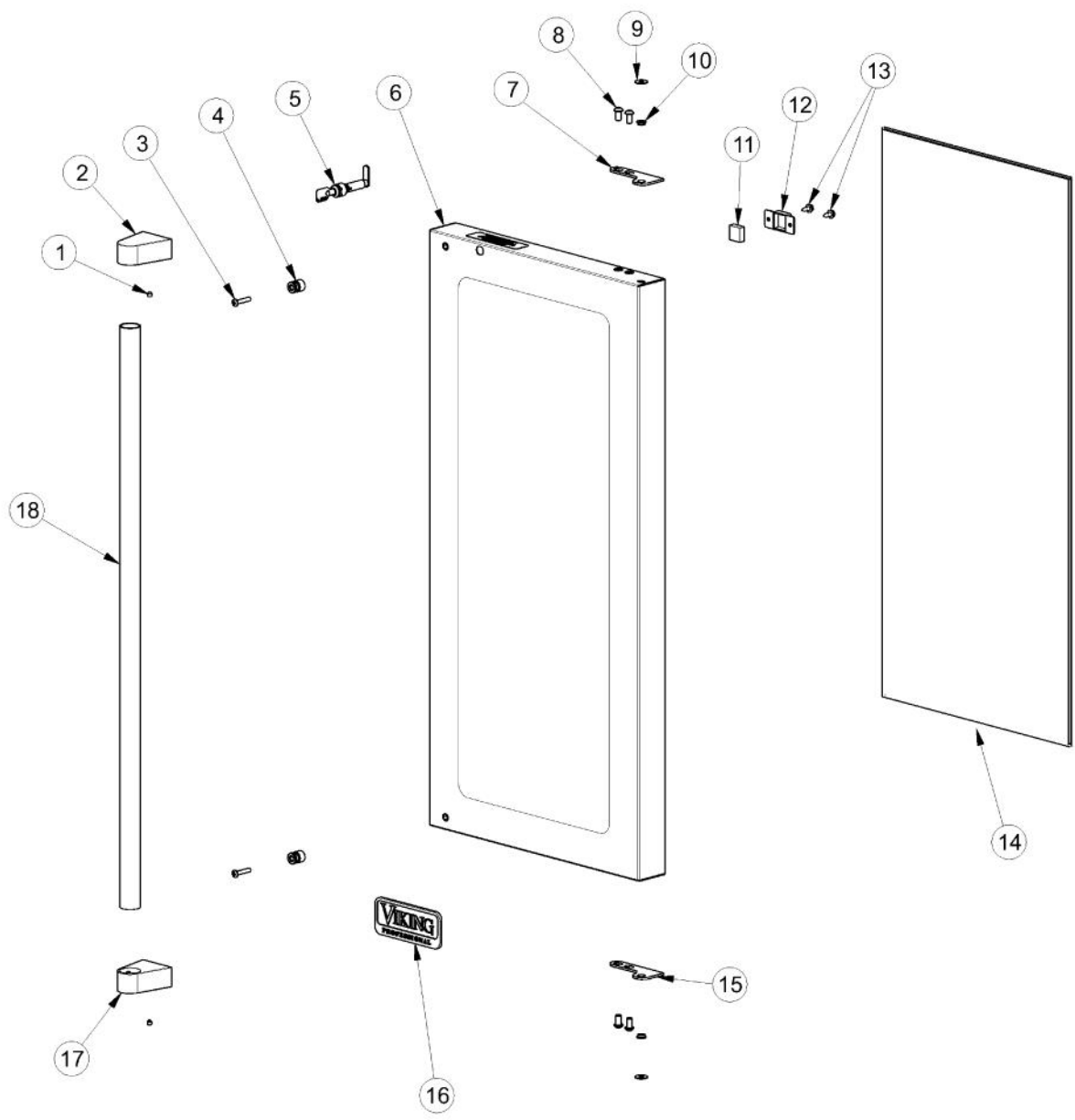
Ref #	Part Number	Qty.	Description
1	009924-000	2	WASHER HD SCREW - ZN
2	009486-000	2	NO.10 EXTERNAL TOOTH STAR WASHER, SS
3	028581-000	1	DISPLAY ASM BK, 15 WC GLASS DR.
3	028582-000	1	DISPLAY ASM BK, 15 WC SOLID DR.
4	010227-000	1	COMMUNICATION CABLE
5	010210-000	1	TEMP SENSOR
6	007640-000	2	PLASTIC WIRE CLIP
7	010220-000	1	DISPLAY TEMP SENSOR
8	010698-000	1	SCREW, NO.10 X .5 ZN



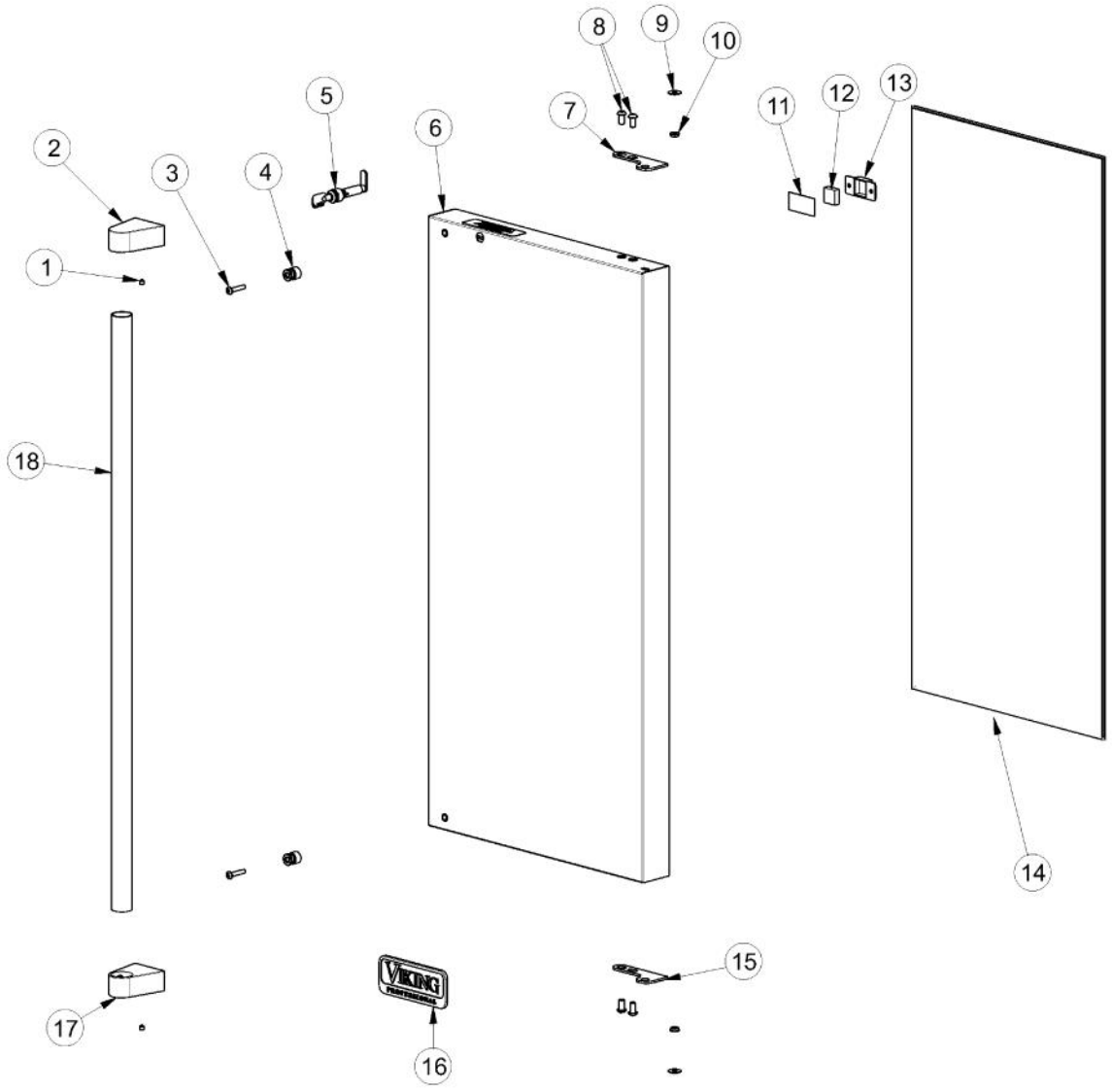
Ref #	Part Number	Qty.	Description
1	010769-000	1	LINER SHIELD - LH
2	010698-000	1	SCREW, NO.10 X .5 ZN
3	010228-000	6	BUSHING 2620
4	010226-000	6	CABINET SIDE, LH - BK
5	010039-000	36	RIVET, 1/8 STEEL
6	010242-000	1	SHELF SLIDE, RH - BL
7	010773-000	1	LINER SHIELD - RH
8	010235-000	6	SHELF SLIDED, RH - BK
9	010771-000	6	FRONT NATURAL WOOD
10	010232-000	6	SHELF SLIDE, LH - BK
11	010230-000	12	SCREW, NO.8 X 1/2 PH PAN HEAD
12	010770-000	6	SHELF RACK



Ref #	Part Number	Qty.	Description
1	PW300152	2	FAN MOTOR ASSY (VUIM150) 42244701
2	PW200020	1	SPEED NUT, FAN MOTOR
3	PW200037	1	FAN BLADE
4	PW200037	1	FAN BLADE
5	PW300152	1	FAN MOTOR ASSY (VUIM150) 42244701
6	PW300152	1	FAN MOTOR ASSY (VUIM150) 42244701
7	PW200029	4	SCREW
8	PW300274	2	WASHER, INDOOR
9	PW300137	1	GROUND WIRE (VUIM150)
10	PW300143	1	LOCK WASHER (VUIM150) 42243619
11	010035-000	1	PROCESSOR TUBE
12	PW200017	3	LOCK NUT .25-.20 UNC
13	PW240041	1	COMPRESSOR 15 (42242896)
14	PS100020	1	OVERLOAD (42245133) 152 WC
15	009507-000	1	RELAY COVER
16	PS100021	1	PTC RELAY (42245131) 152 WC
17	010036-000	4	GROMMET (COMES WITH COMPRESSOR)
18	PW200018	3	.312 ID FLAT WASHER
19	PS100023	1	RUN CAPACITOR (42245134) 152 WC
20	010037-000	3	SLEEVE (COMES WITH COMPRESSOR)
21	010038-000	1	WIRE HARNESS
22	005835-000	1	POWER CORD - 42242054
23	009511-000	1	ELECTRONIC CONTROL BOARD
24	009513-000	5	STANDOFF
25	009514-000	1	CONTROL BOARD MOUNTING BRACKET
26	PW200017	2	LOCK NUT .25-.20 UNC
27	PW300274	1	WASHER, INDOOR
29	010040-000	3	1/4-20 X 1 1/2 CARRIAGE BOLT
28	PW200017	2	LOCK NUT .25-.20 UNC
30	PW300152	6	FAN MOTOR ASSY (VUIM150) 42244701
31	010039-000	4	RIVET, 1/8 STEEL
32	PW240004	1	CONDENSER, R-134A
33	PW300159	1	CONDENSER ASSY
34	009810-000	1	DRYER TUBE
35	PW240003	1	DRIER ASSY VUWC140
36	010032-000	1	DISCHARGE TUBE
37	010033-000	1	BASEPLATE
38	PW300152	6	FAN MOTOR ASSY (VUIM150) 42244701
39	007640-000	4	PLASTIC WIRE CLIP



Ref #	Part Number	Qty.	Description
1	009644-000	2	SET SCREW
2	009669-000	1	END CAP W/SET SCREW
3	PW300163	2	SCREW (VUIM150) 42243357
4	009641-000	2	VIKING HANDLE STAND-OFF STUD
5	010215-000	1	LOCK, DOOR
6	010750-000	1	DOOR ASSEMBLY - RT, CLEAR GLASS W/LOCK
6	010016-000	1	DOOR ASSEMBLY - RH CLEAR GLASS
6	010751-000	1	DOOR ASSEMBLY - LT, CLEAR GLASS W/LOCK
6	010017-000	1	DOOR ASSEMBLY - LH CLEAR GLASS
6	010752-000	1	DOOR ASSEMBLY - RT, FLUTED GLASS W/LOCK
6	010018-000	1	DOOR ASSEMBLY - RH FLUTED GLASS
6	010753-000	1	DOOR ASSEMBLY - LT, FLUTED GLASS W/LOCK
6	010754-000	1	DOOR ASSEMBLY - LH FLUTED GLASS
7	009760-000	1	HINGE ADAPTER, TOP, SS
8	010212-000	4	SCREW, 1/4-20 SS
9	009761-000	2	WASHER, NYLON
10	009755-000	2	HINGE BUSHING
11	009759-000	1	DOOR SWITCH MAGNET
12	010216-000	1	DOOR SWITCH MAGNET RETAINER
13	010656-000	1	SCREW, NO.8 X 3/4 PH FLAT HEAD - BK
14	PW230119	1	DOOR GASKET (42243908)
15	009757-000	1	HINGE ADAPTER, BOTTOM, SS
16	PS100055	1	VIKING NAMEPLATE 142 WC (42242662)
17	010211-000	1	END CAP BOT W/SS
18	009519-000	1	HANDLE TUBE, SS



Ref #	Part Number	Qty.	Description
1	009644-000	2	SET SCREW
2	009669-000	1	END CAP W/SET SCREW
3	PW300163	2	SCREW (VUIM150) 42243357
4	009641-000	2	VIKING HANDLE STAND-OFF STUD
5	010215-000	1	LOCK, DOOR
6	010019-000	1	RH DOOR ASSEMBLY
6	010020-000	1	LH DOOR ASSEMBLY
6	010762-000	1	DOOR ASSEMBLY - RT, SOLID, BK W/LOCK
6	010763-000	1	DOOR ASSEMBLY - LT, SOLID, BK W/LOCK
7	009760-000	1	HINGE ADAPTER, TOP, SS
8	010212-000	4	SCREW, 1/4-20 SS
9	009761-000	2	WASHER, NYLON
10	009755-000	2	HINGE BUSHING
11	009762-000	1	3M TAPE, 1.75
12	009759-000	1	DOOR SWITCH MAGNET
13	010668-000	1	RETAINER, MAGNET
13	010216-000	1	DOOR SWITCH MAGNET RETAINER
14	PW230017	1	DOOR GASKET (VUAR/VUWC) 42242914
14	PW230119	1	DOOR GASKET (42243908)
15	009757-000	1	HINGE ADAPTER, BOTTOM, SS
16	PS100055	1	VIKING NAMEPLATE 142 WC (42242662)
17	010211-000	1	END CAP BOT W/SS
18	009519-000	1	HANDLE TUBE, SS